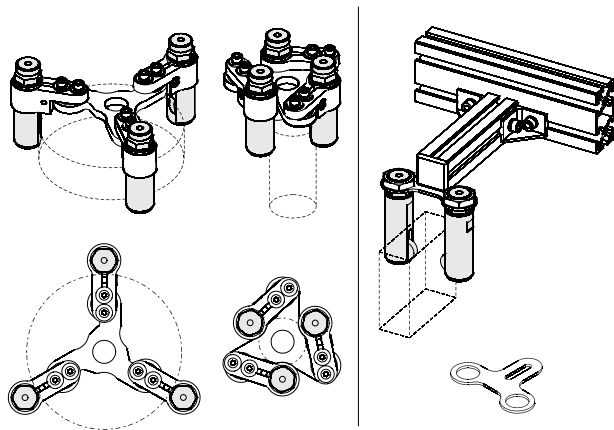
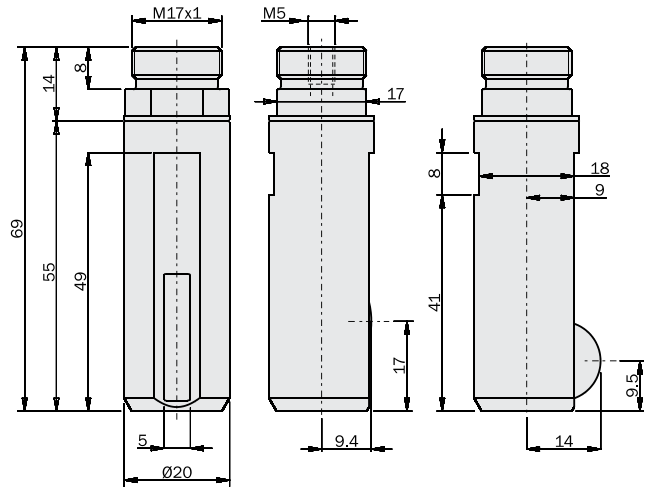
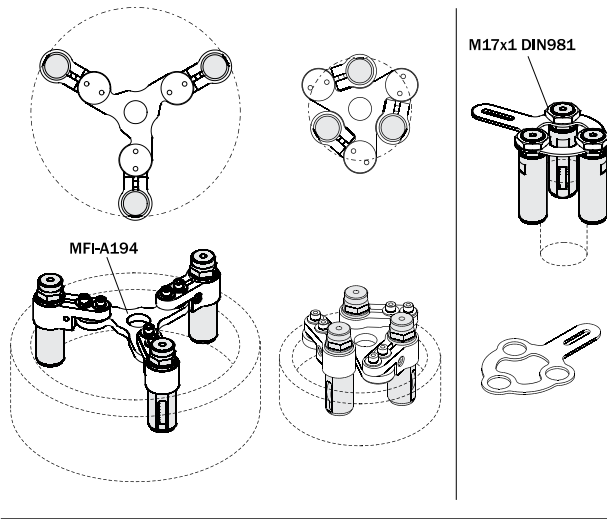


One finger elastic module

- Single acting with spring reset.
- Clampable Ø20mm body.
- Several mounting accessories.
- Modularity.



	OFD20
Medium	Compressed air in compliance with ISO 8573-1:2010 [7:4:4]
Pressure range	3 ÷ 8 bar
Temperature range	5° ÷ 60 °C.
Force	0 ÷ 145 N
6 bar stroke	4.5 mm
Maximum working frequency	2 Hz
Cycle air consumption	3 cm ³
Weight	40 g