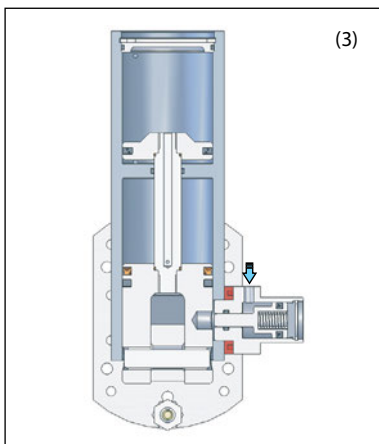
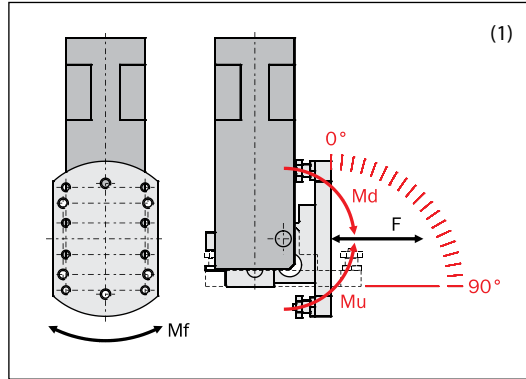
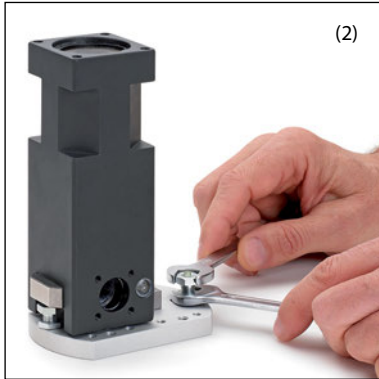


Pneumatic tilt units for EOATs, series RBT

- 90° rotation (1).
- Two rubber adjustable end-strokes (2).
- High lifting torque.
- Safety lock (3), except RBT30.
- Optional magnetic sensors.

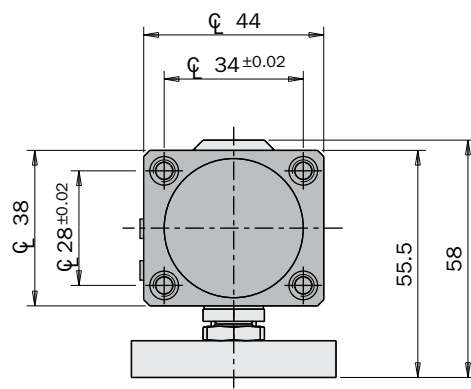
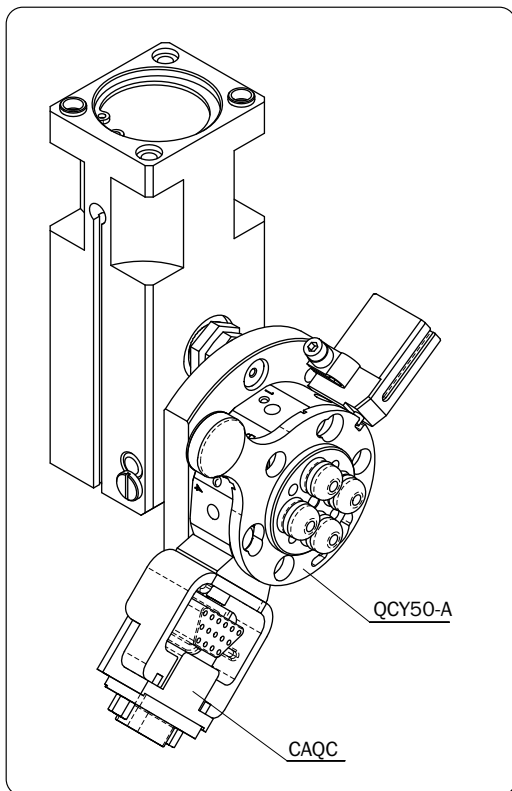
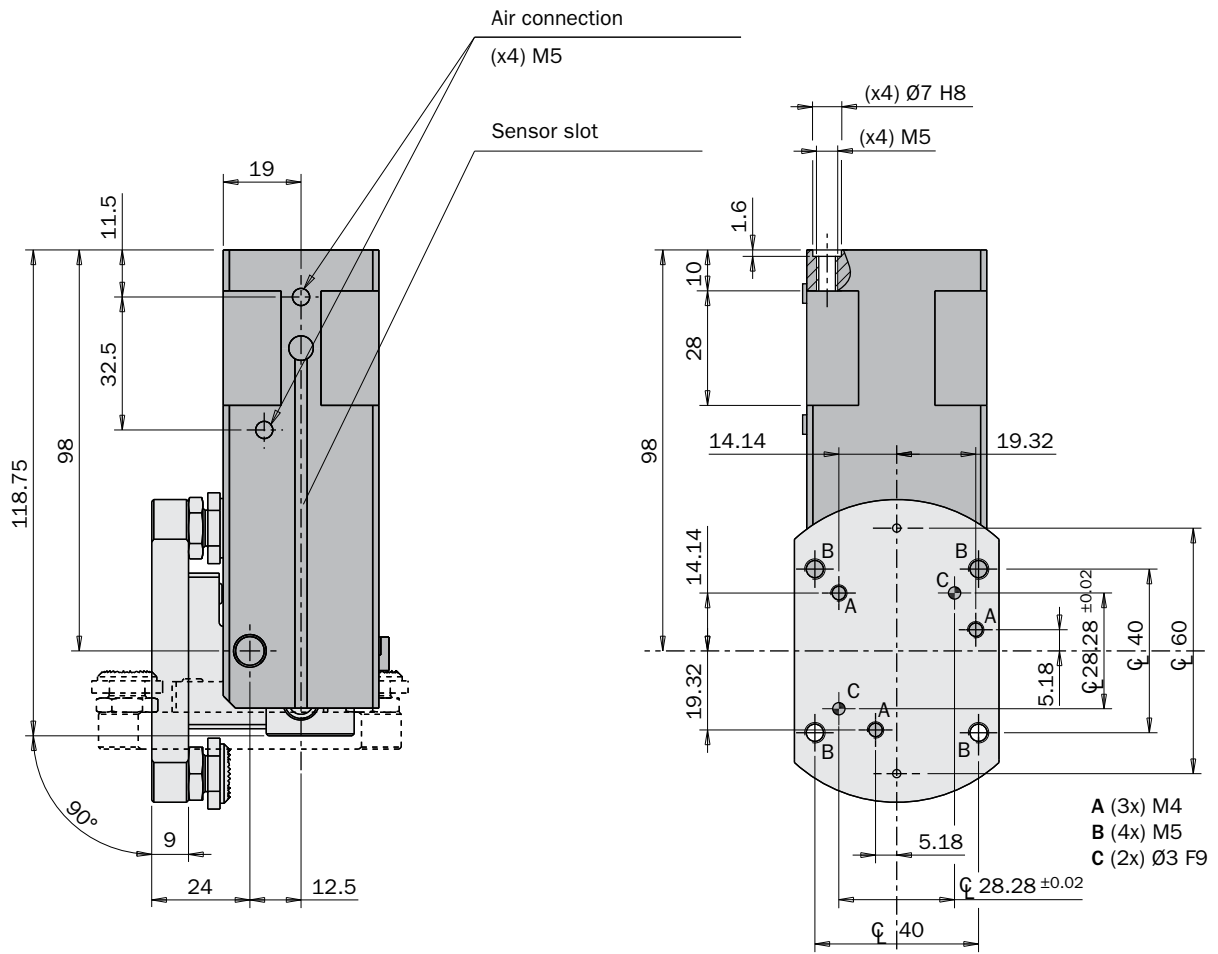


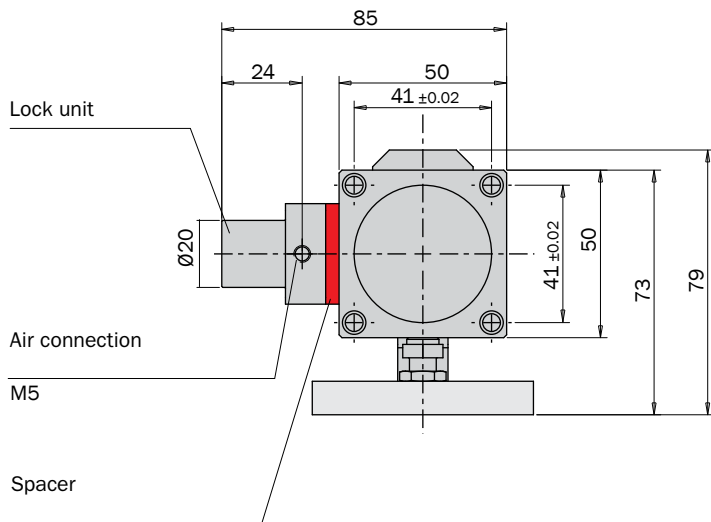
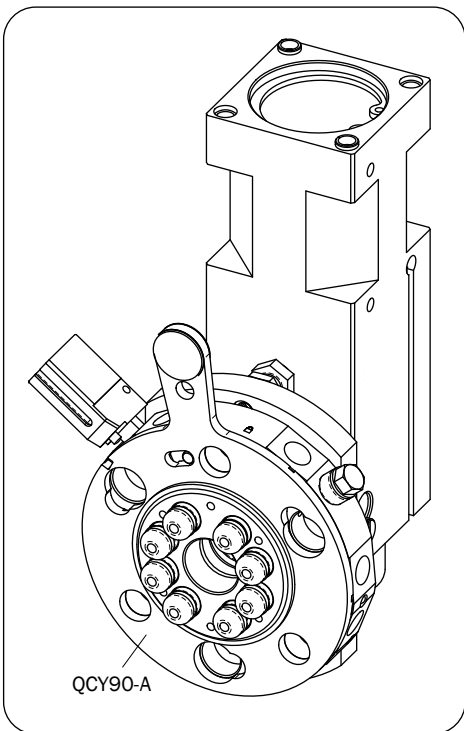
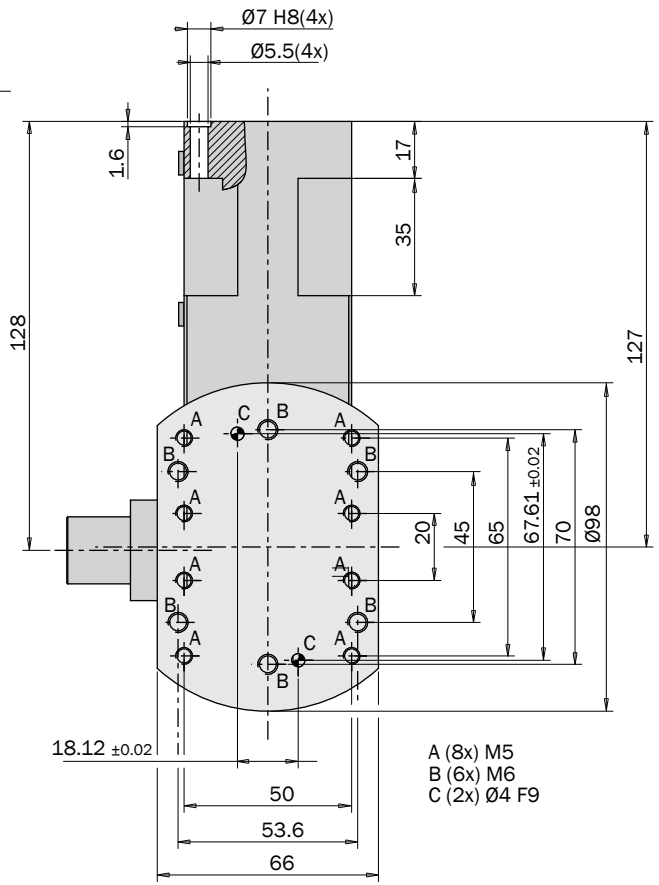
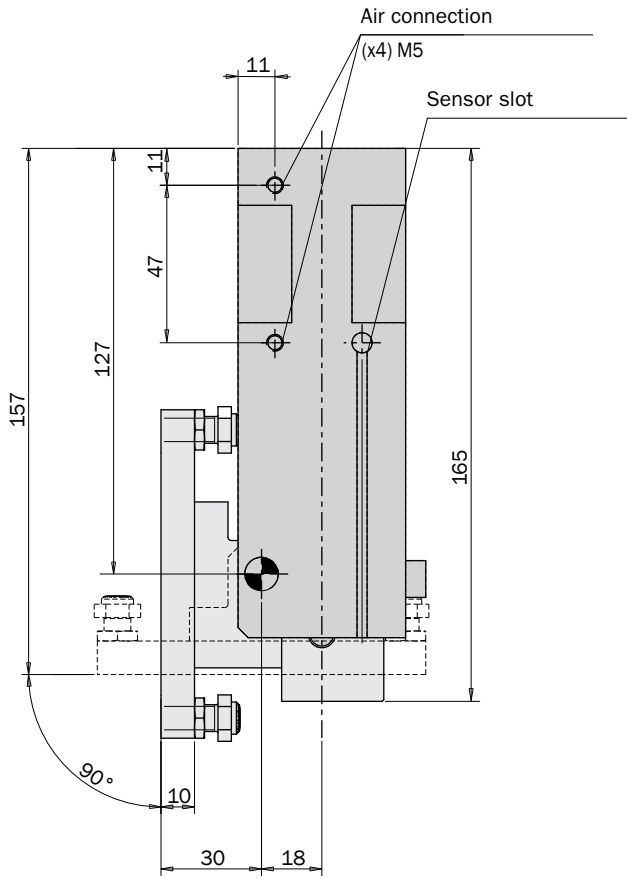
[Click for Pricing & Add to Cart](#)

	RBT30	RBT40	RBT50	RBT63	RBT80
Medium	Compressed air in compliance with ISO 8573-1:2010 [7:4:4]				
Pressure range	2 ÷ 8 bar				
Unlock pressure	-	> 3.5 bar			
Temperature range	5 ÷ 60 °C.				
Tilt angle	90°				
End stroke adjustment	± 2°				
Cycle air consumption	56 cm ³	142 cm ³	266 cm ³	462 cm ³	983 cm ³
Lift torque at 6 bar (90° 0°)	> 9 Nm	> 24 Nm	> 45 Nm	> 78 Nm	> 174 Nm
Drop torque at 6 bar (0° 90°)	> 4 Nm	> 11 Nm	> 22 Nm	> 42 Nm	> 84 Nm
Allowed load	50 N	100 N	200 N	300 N	600 N
Allowed moment	3 Nm	7 Nm	12 Nm	30 Nm	75 Nm
Weight	520 g	1050 g	1600 g	2600 g	6500 g

Dimensions (mm)

RBT30



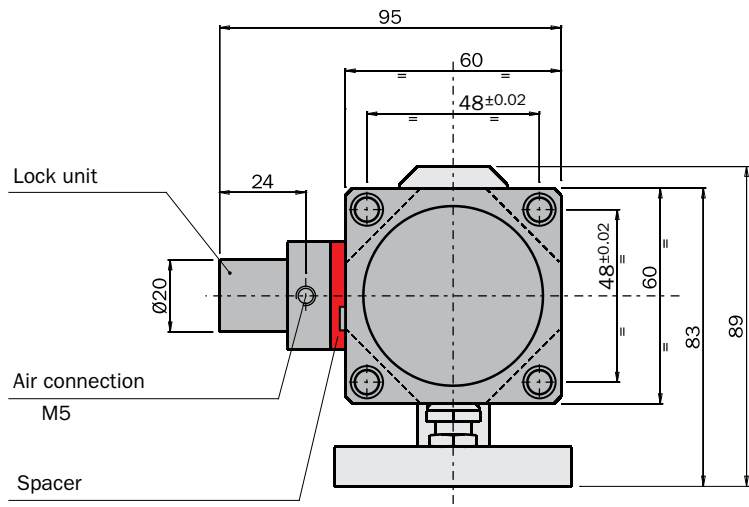
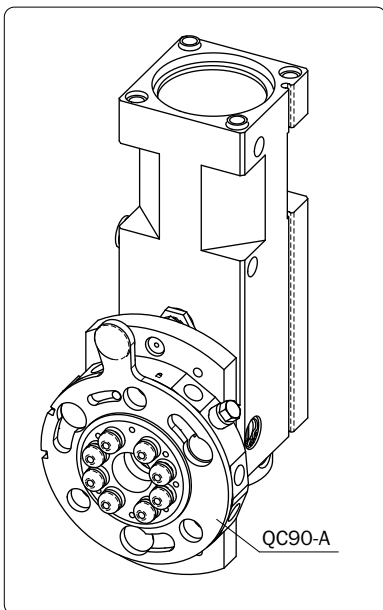
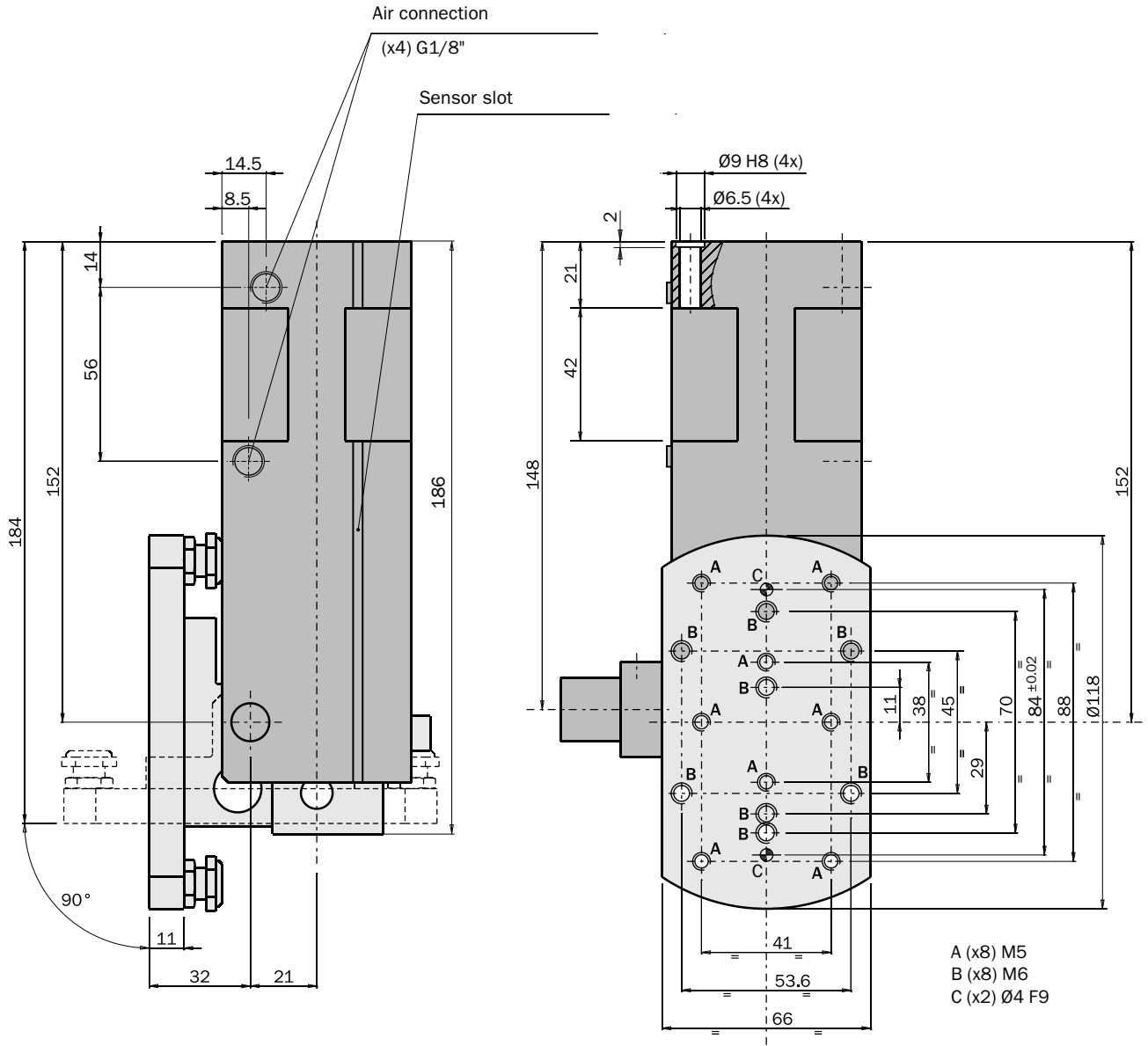


FIRST ANGLE PROJECTION

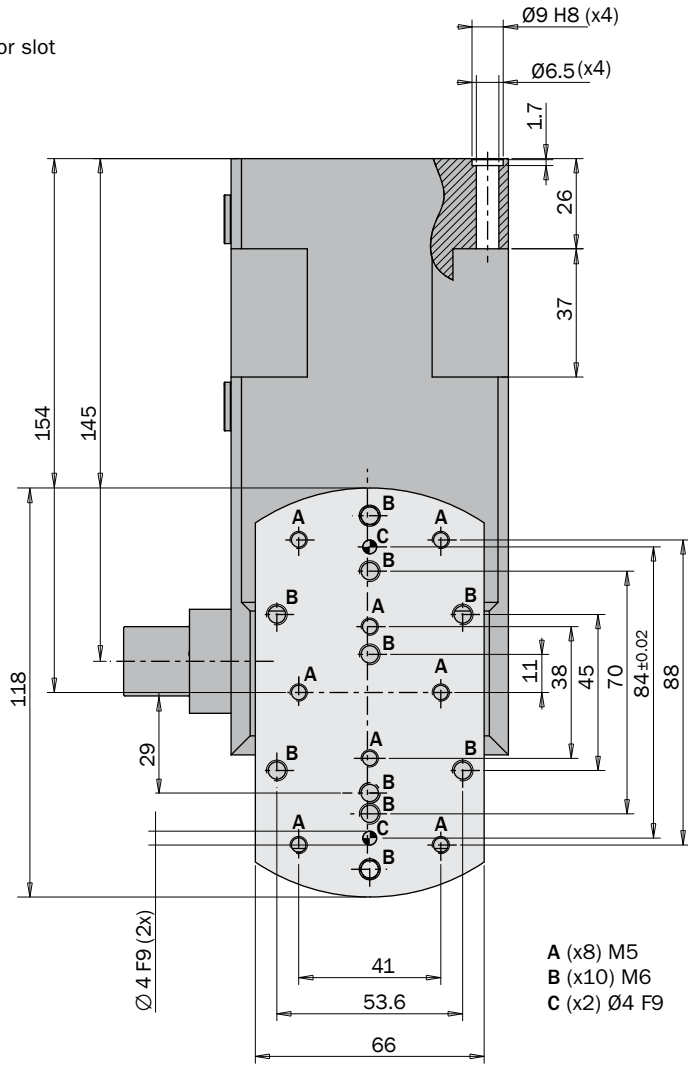
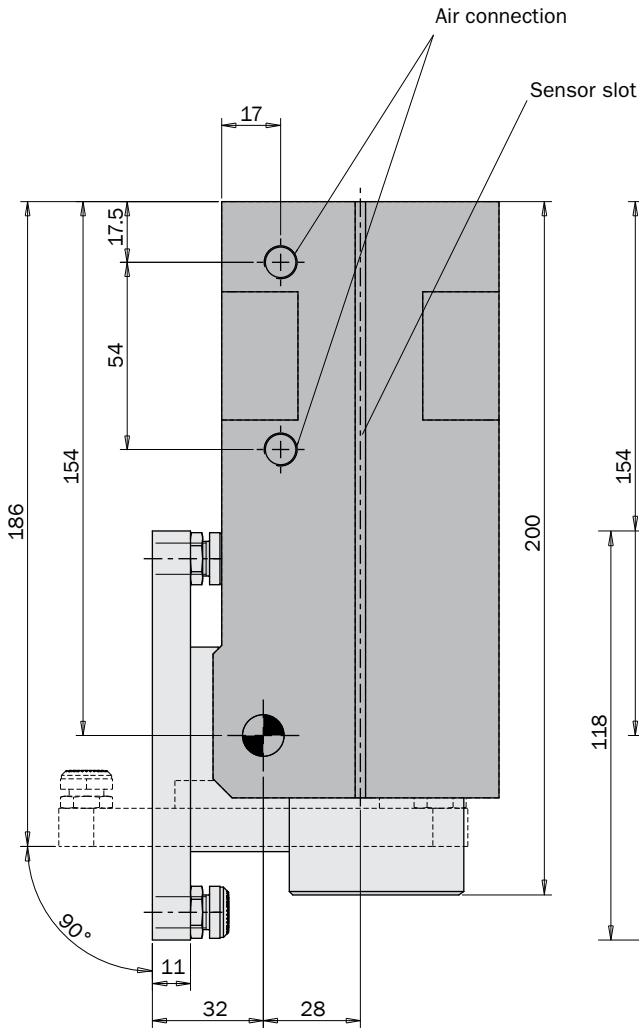
Rotary Units
Quick Changer
Profiles and Brackets
Grippers
Linear Actuators
Suspensions
Nippers
Robot Kit
Options
Sensors

Dimensions (mm)

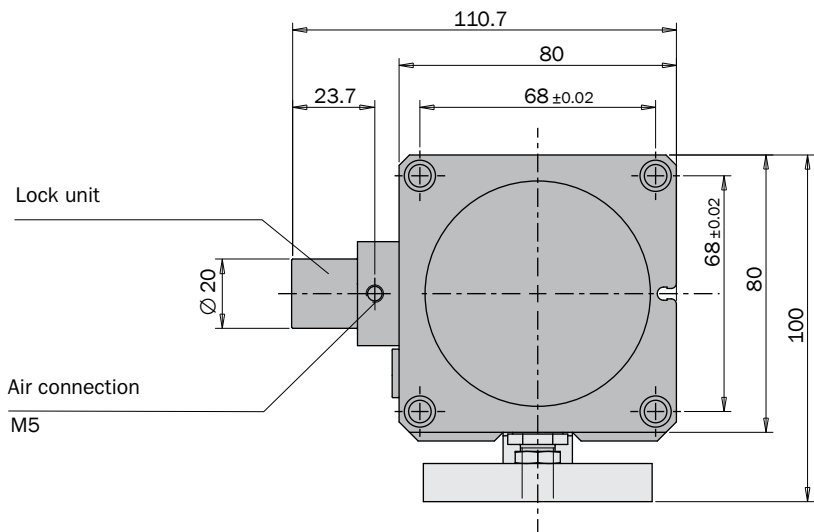
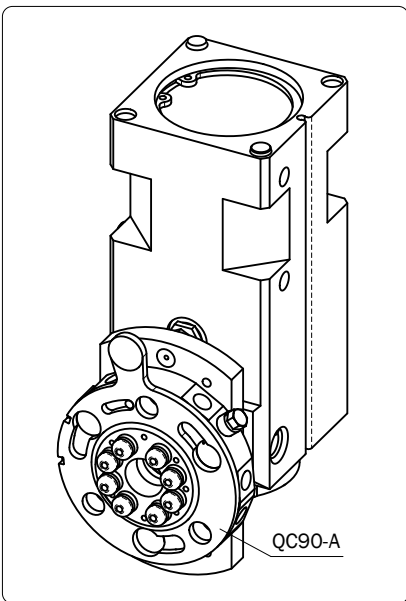
RBT50



FIRST ANGLE PROJECTION



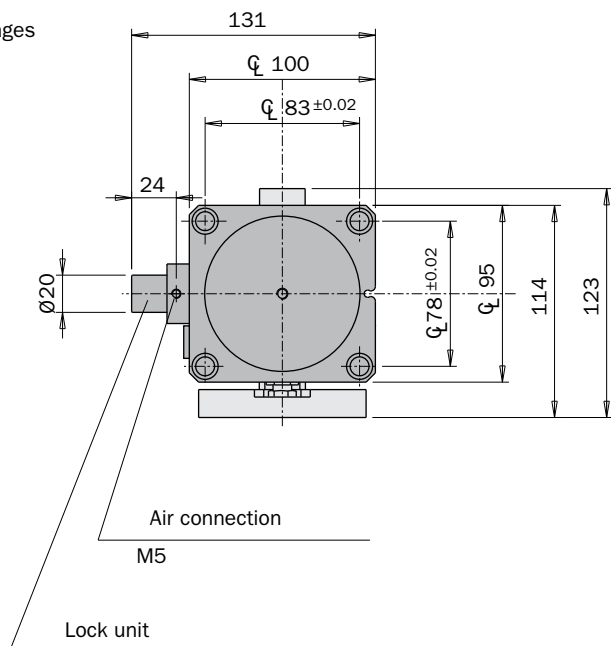
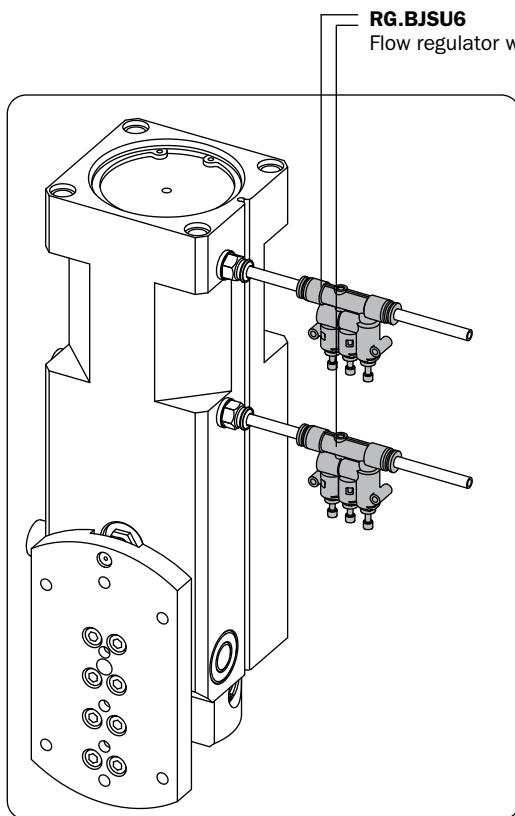
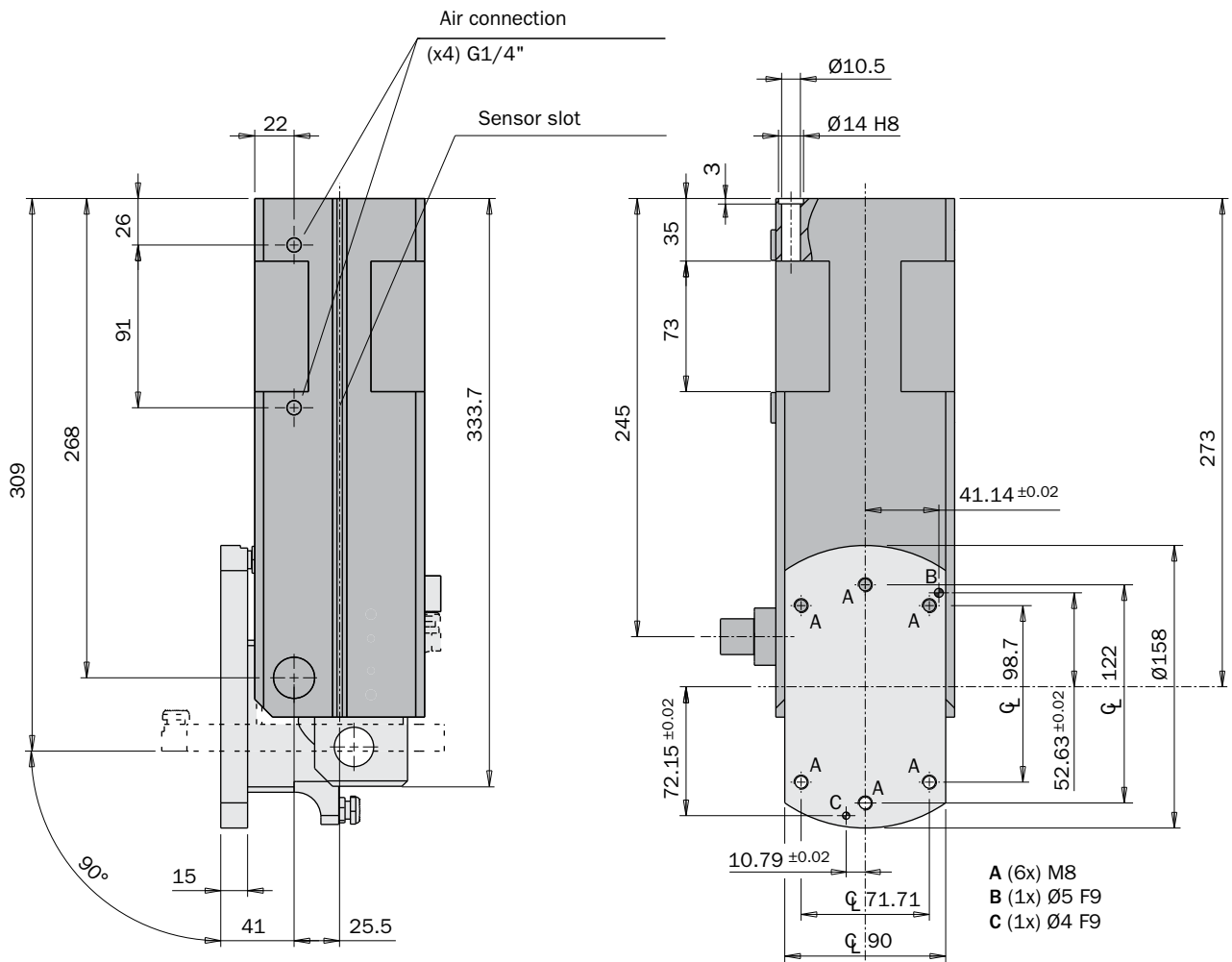
- A (x8) M5
- B (x10) M6
- C (x2) Ø4 F9



FIRST ANGLE PROJECTION

Dimensions (mm)

RBT80



FIRST ANGLE PROJECTION