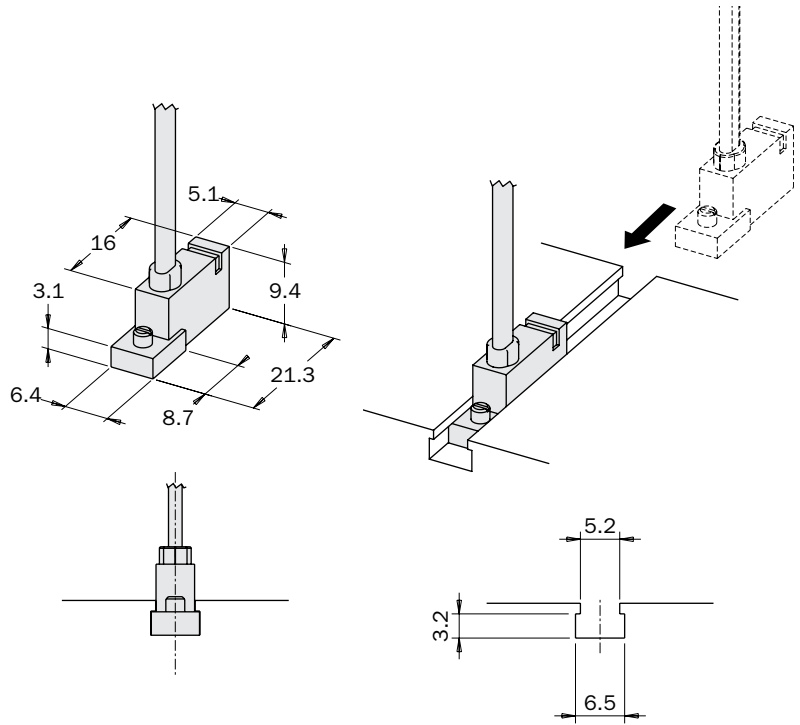


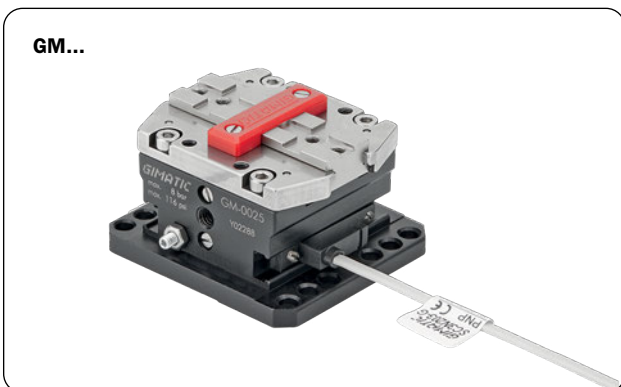
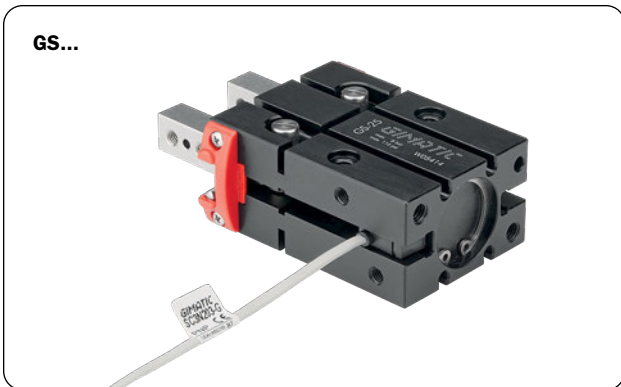
Magnetic sensors for T-slots

- Reed or GMR sensors.
- PNP or NPN logic output for magnetoresistive sensors.
- No problems in case of vibrations.
- Cable or M8 connector output.
- 100% traceability.
- Standard T-slot inline mounting.
- Optional K-SENS slot adaptors.
- Optional 2.5m, 5m and 10m cable extensions.
- Axial mounting.



Dimensions (mm)

Application examples



Sensor with cable	SC1C225-G	SC4N225Y	SC4N225-G	SC4M225-G
Sensor with M8 connector	SC2C203-G	SC3N203Y	SC3N203-G	SC3M203-G
Price	Call EMI	Call EMI	\$30.30 \$34.62	\$30.30 \$34.62
Sensor type	2-wire reed Normally Open	Magnetoresistive PNP Normally Open		Magnetoresistive NPN Normally Open
Power supply	3÷30 Vac/dc		6÷30 Vdc	
Switching current	0.2 A			
Power rating (Ohmic load)	6 W			
Nominal switching point	15±20 AT	15±5 Gauss	20±5 Gauss	
ON-OFF differential	5÷10 AT	4÷7 Gauss	5÷15 Gauss	
ON switching time	0.5 ms			
OFF switching time	0.5 ms			
Operating temperature	-10÷70 °C			
Switching frequency	500 kHz		200 kHz	
Electric service life	10 ⁷ imp.		10 ⁹ imp.	
Piston speed	10 m/s			
Reverse polarity protection	Yes			
Protection rating	IP 67			
Sensor body material	PA; AISI 303			
Standard cable length	2.5 m (flying cable) - 0.3 m (cable with M8 connector)			
Sheathing - insulation	PVC CEI 20-22II O.R.			
Leads	0.14 mm ² / AWG 26 / 36 x 0.07 mm ²			
M8 connector material	PUR / Gold-plated brass			
CE reference standards	CEI EN 60529; CEI EN 60947-5-2; CEI EN 61000-6-2; CEI EN 61000-6-3; CEI EN 55022; CEI EN 61000-4-2; CEI EN 61000-4-3; CEI EN 61000-4-4; CEI EN 65000-4-5; CEI EN 61000-4-6; CEI EN 61000-4-8; CEI EN 61000-4-11			
Wiring diagrams				
Connections				
	Brown BN(+); Blue BU(-); Black BK (OUT), Not Connected			