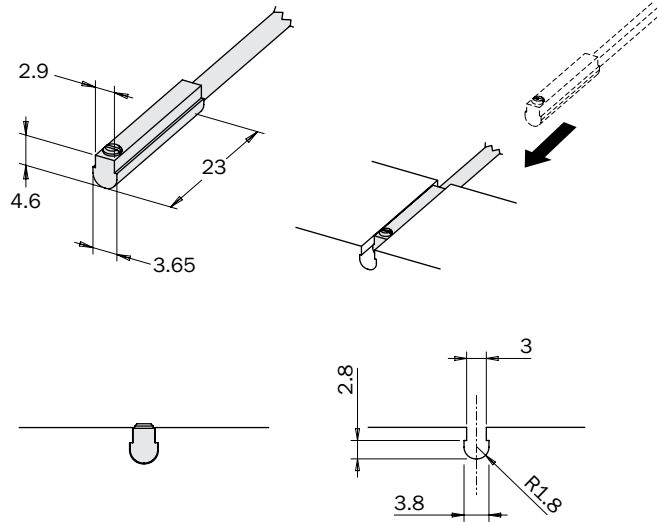


Magnetic sensors for C-slots with reduced hysteresis

- GMR sensors.
- PNP or NPN logic output.
- No problems in case of vibration.
- Cable or M8 connector output.
- 100% traceability.
- Standard C-slot or T-slot inline mounting.
- Optional K-SENS slot adaptors.
- Optional 2.5m, 5m and 10m cable extension.
- Axial mounting.



Dimensions (mm)

Application examples



Sensor with cable	SSY4N225-G	SSY4M225-G
Sensor with M8 connector	SSY3N203-G	SSY3M203-G
Sensor type	Magnetostrictive PNP Normally Open	Magnetostrictive NPN Normally Open
Power supply	6±30 Vdc	
Switching current	0.2 A	
Power rating (Ohmic load)	6 W	
Switching interval	21±48 Gauss	
ON-OFF differential	3 Gauss	
ON switching time	2 µs	
OFF switching time	1 ms	
Operating temperature	-10÷70°C	
Switching frequency	200 kHz	
Electric service life	10 ⁷ imp.	
Piston speed	10 m/s	
Reverse polarity protection	Yes	
Protection rating	IP 67	
Sensor body material	PA; AISI 303	
Standard cable length	2.5 m (flying cable) - 0.3 m (cable with M8 connector)	
Sheathing - insulation	PVC CEI 20-22II O.R.	
Leads	0.14 mm ² / AWG 26 / 36 x 0.07 mm ²	
M8 connector material	PUR / Gold-plated brass	
CE reference standards	CEI EN 60529; CEI EN 60947-5-2; CEI EN 61000-6-2; CEI EN 61000-6-3; CEI EN 55022; CEI EN 61000-4-2; CEI EN 61000-4-3; CEI EN 61000-4-4; CEI EN 61000-4-5; CEI EN 61000-4-6; CEI EN 61000-4-8; CEI EN 61000-4-11	
Wiring diagrams		
Connections	<p>Brown (BN +); Blue (BU -); Black (BK OUT)</p>	

Rotary Units

Quick Changer

Profiles and Brackets

Grippers

Linear Actuators

Suspensions

Nippers

Robot Kit

Options