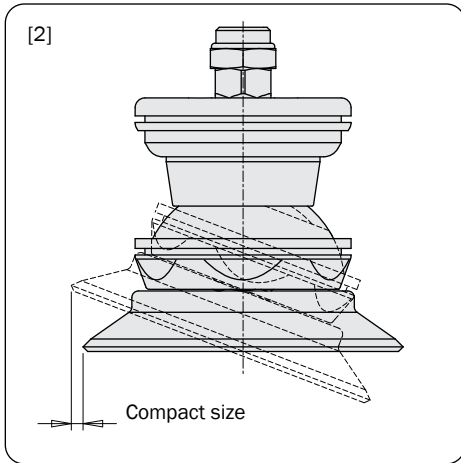
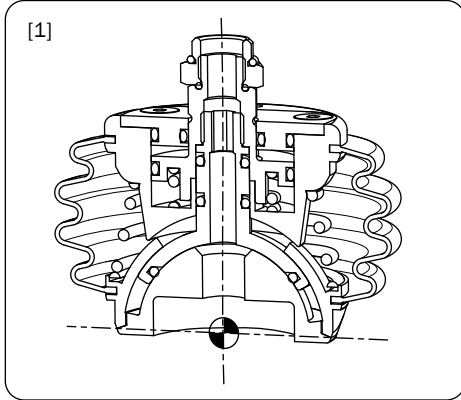


**Ball joint for vacuum cups, with brake**

- Pneumatically-driven device for joint lock (-NO) or unlock (-NC).
- Rotation fulcrum very close to the suction cup plane [1].
- Small side displacement on rotation [2].
- Minimal slide of the vacuum cup upon picking-up.
- FDA-H1 food-grade grease.
- Pressure range: -1÷8 bar.
- Two sizes available.



VAB18...



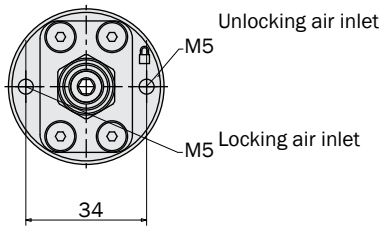
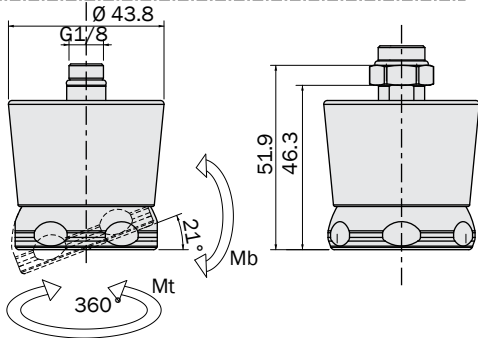
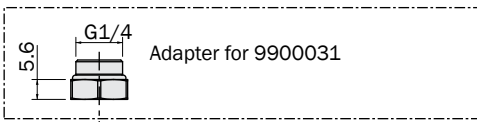
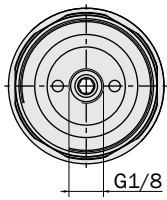
VAB14...

		VAB18M18F-NC 9900039	VAB14M14F-NC 9900040	VAB18M18F-NO 9900041	VAB14M14F-NO 9900042
Fluid for lock / unlock		Compressed air in compliance with ISO 8573-1:2010 [7:4:4]			
Operating pressure range for lock	P1	0 ÷ 8 bar	0 ÷ 8 bar	1 ÷ 8 bar	1 ÷ 8 bar
Operating pressure range for unlock	P2	4 ÷ 8 bar	3 ÷ 8 bar	0 ÷ 8 bar	0 ÷ 8 bar
Air consumption to locking		0 cm <sup>3</sup>	0 cm <sup>3</sup>	2.7 cm <sup>3</sup>	4.3 cm <sup>3</sup>
Air consumption to unlocking		0.4 cm <sup>3</sup>	4.8 cm <sup>3</sup>	0 cm <sup>3</sup>	0 ÷ 4.8 cm <sup>3</sup>
Pressure through the supply duct		-1 ÷ 8 bar			
Operating temperature range		5° ÷ 60° C			
Stroke		± 21°			
Brake torque	Mb	1 Nm + 0.25 Nm x P1	1.5Nm + 0.7Nm x P1	0.25 Nm x P1	0.7Nm x P1
Brake torque	Mt	0.8 Nm + 0.2 Nm x P1	1.1Nm + 0.5Nm x P1	0.2 Nm x P1	0.5Nm x P1
Weight		152 g	420 g	147 g	410 g

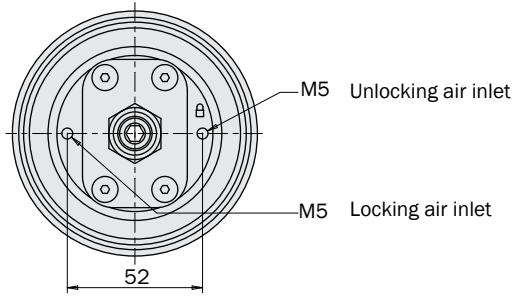
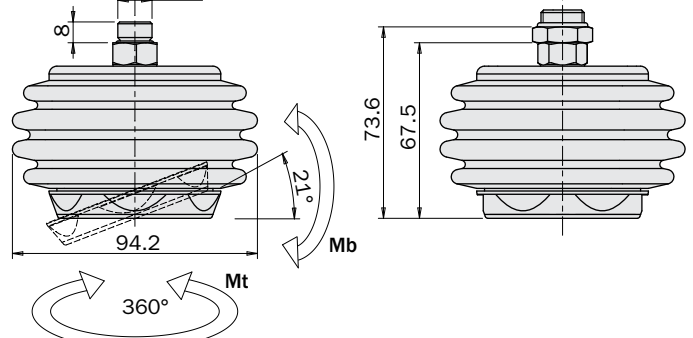
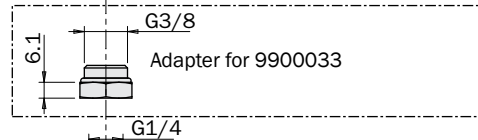
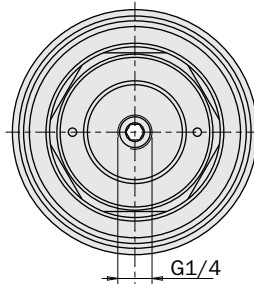
Rotary Units, Quick Changer, Profiles and Brackets, Grippers, Linear Actuators, Suspensions, Nippers, Robot Kit, Options, Sensors

**Dimensions (mm)**

**VAB18...**



**VAB14...**



**Application example**

