

## Vacuum actuator series VAQ

- Operated by vacuum only.
- The extension and the retraction movements are automatically actuated.
- The stroke is self-adjusting.
- Option VAQN for anti-rotation rod.
- The suction cup **1** must be ordered separately.



VAQ1820



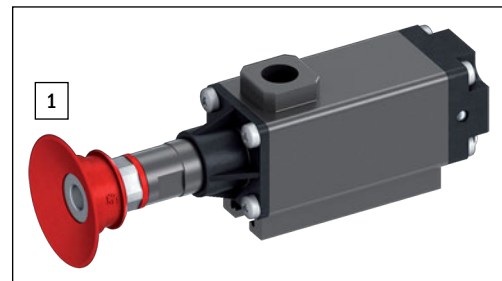
VAQ1840



VAQN1820



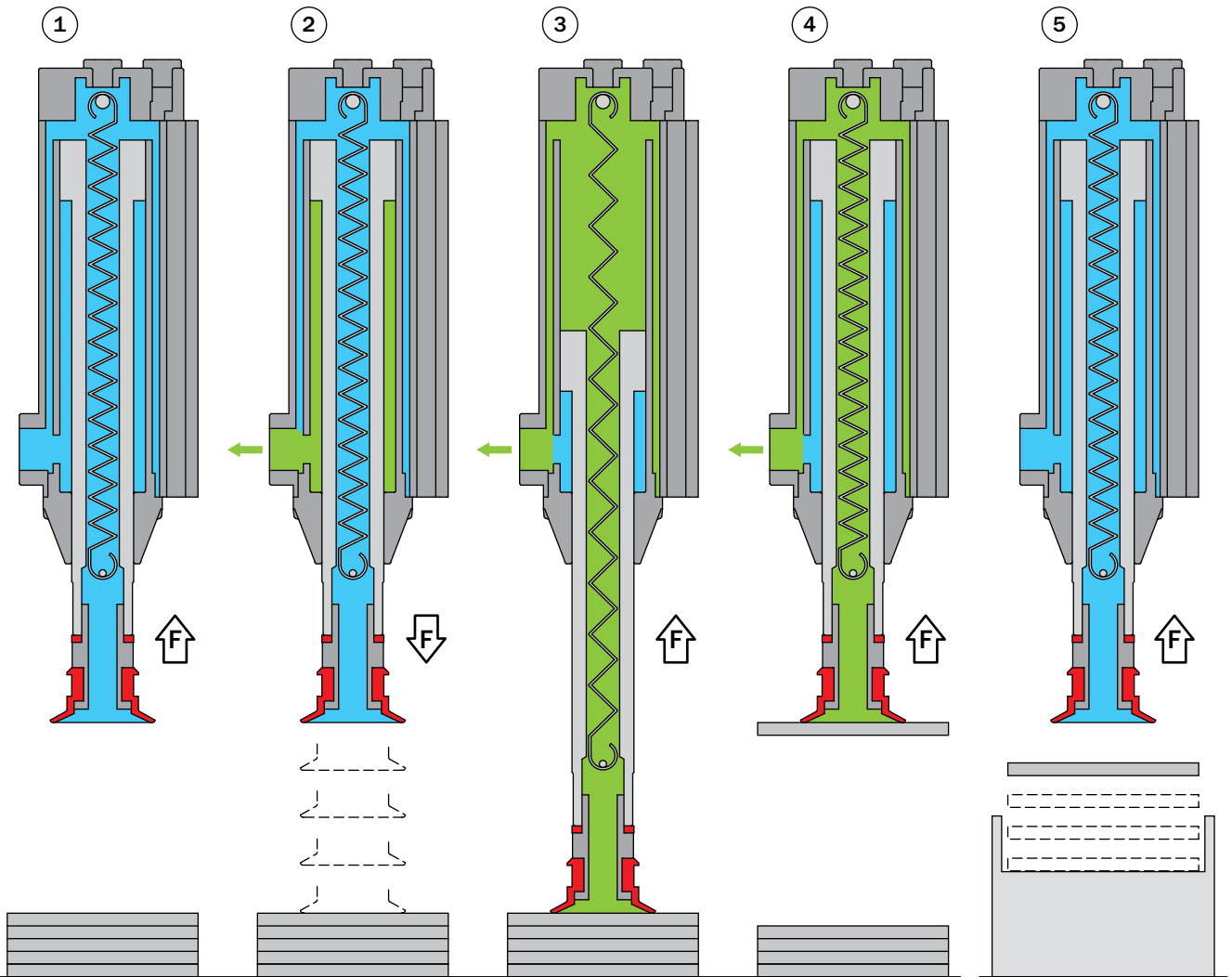
VAQN1840



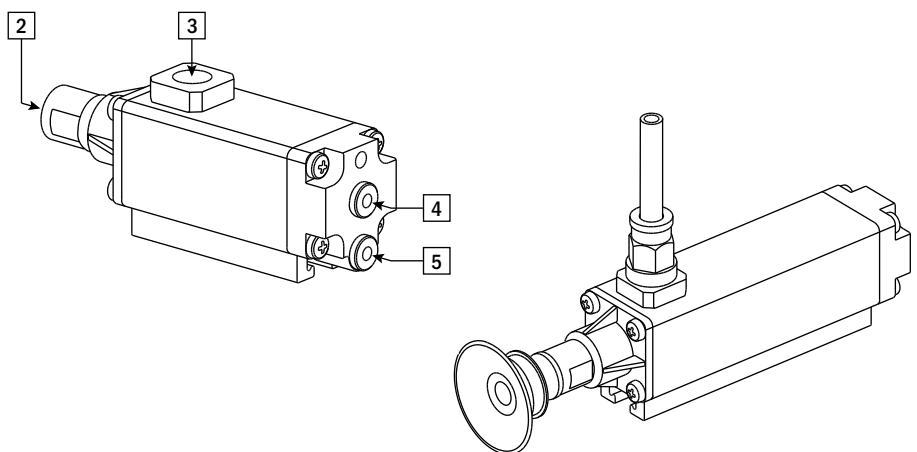
	VAQ1820 9900043	VAQ1840 9900044	VAQN1820 9900045	VAQN1840 9900046
Medium	Vacuum -0.3 ÷ -1 bar			
Temperature range	10 ÷ 40°C.			
Retraction force at -0.6 bar	10 N			
Maximum recommended load	5 N			
Total stroke	25 mm	55 mm	25 mm	55 mm
Stroke with full force	20 mm	40 mm	20 mm	40 mm
Weight	90 g	125 g	105 g	145 g

**Working principle**

- 1- Without vacuum, the rod is retracted by the spring force.
  - 2- When vacuum is applied, the pressure under the piston is lower than the pressure over the piston and the rod travels forward.
  - 3- The pressures invert as soon as the vacuum cup makes contact with an object.
  - 4- Thus the rod retracts immediately, lifting the object.
  - 5- When the vacuum is removed, the object is released, but the spring holds the rod retracted.
- (Acurately, instead of removing vacuum, a pressure impulse can be provided by the air port over the piston).



- 2 G1/8  
Female thread for suction cup
- 3 G1/8  
Vacuum supply port
- 4 M5  
Pressure impulse connection
- 5 M5  
Vacuum sensor connection





**Accessories**

The anti-rotation device can be positioned on 3 sides, based on the space available.

