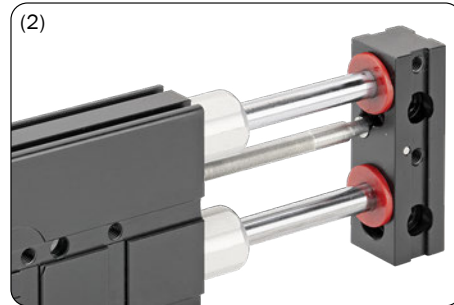
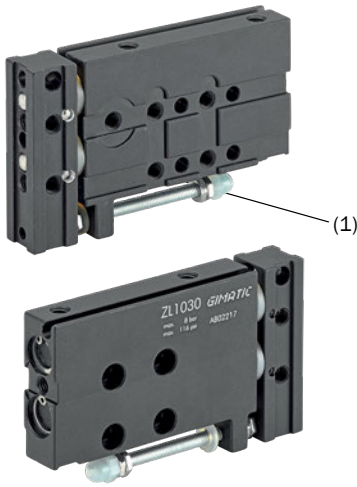


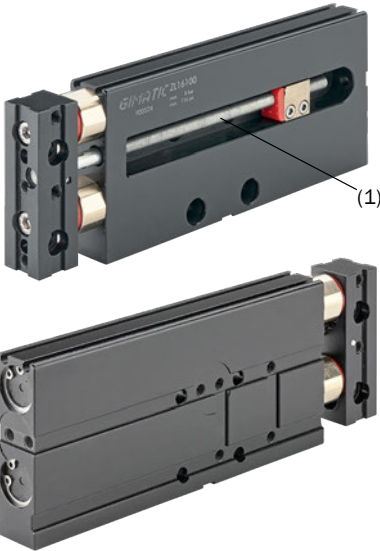
**Pneumatic slides (series ZL)**

- Designed for EOATs.
- Double-acting.
- Flat profile.
- Opening stroke adjustment (1).
- Polyurethane shock-absorbers (2).
- Optional magnetic sensors (3).

**ZL1030**



**ZL16...  
ZL25...**



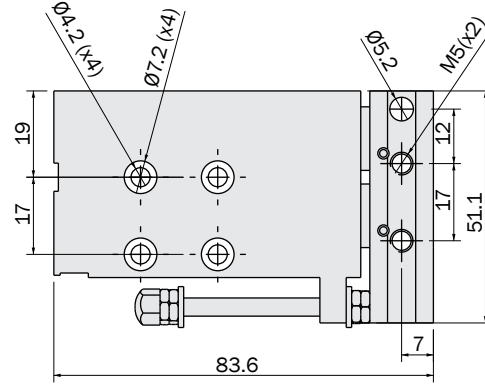
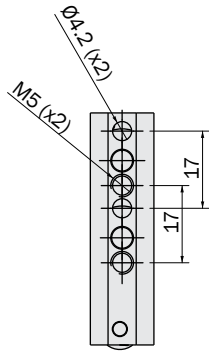
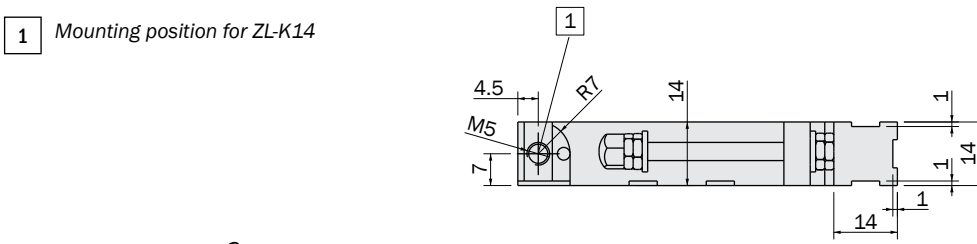
SS4N225-G	PNP	2.5m cable
SS4M225-G	NPN	
SS3N203-G	PNP	M8 snap plug connector
SS3M203-G	NPN	

	ZL1030	ZL1650	ZL16100	ZL2550	ZL25100
Medium	Compressed air in compliance with ISO 8573-1:2010 [7:4:4]				
Pressure range	2 ÷ 8 bar				
Temperature range	5 ÷ 60 °C				
Retraction force at 6 bar	60 N	150 N		380 N	
Extension force at 6 bar	80 N	200 N		500 N	
Stroke	0 ÷ 30 mm	0 ÷ 50 mm	0 ÷ 100 mm	0 ÷ 50 mm	0 ÷ 100 mm
Cycle air consumption	9 cm <sup>3</sup>	37 cm <sup>3</sup>	70 cm <sup>3</sup>	90 cm <sup>3</sup>	177 cm <sup>3</sup>
Minium actuating time	0.06 s	0.13 s	0.24 s	0.24 s	0.45 s
Maximum working frequency	1 Hz				
Weight	0.13 kg	0.41 kg	0.58 kg	0.88 kg	1.16 kg

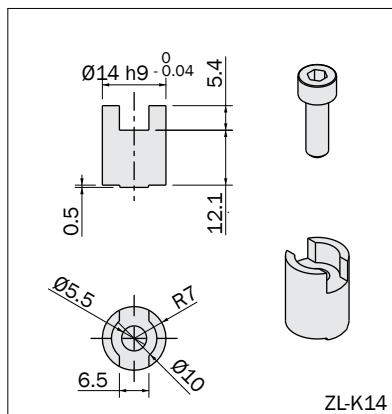
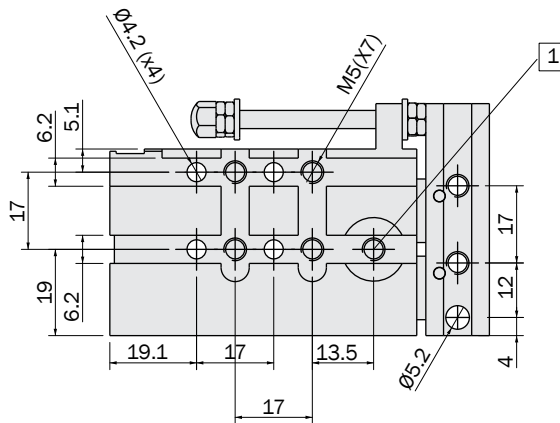
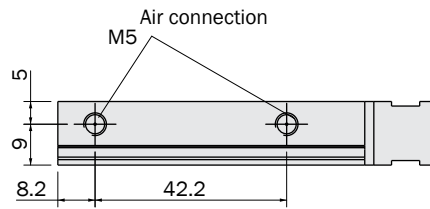
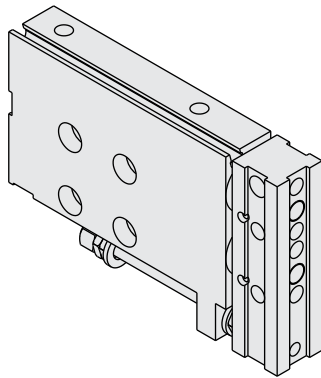
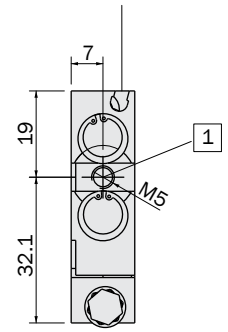
**Dimensions (mm)**

**ZL 10**

1 Mounting position for ZL-K14



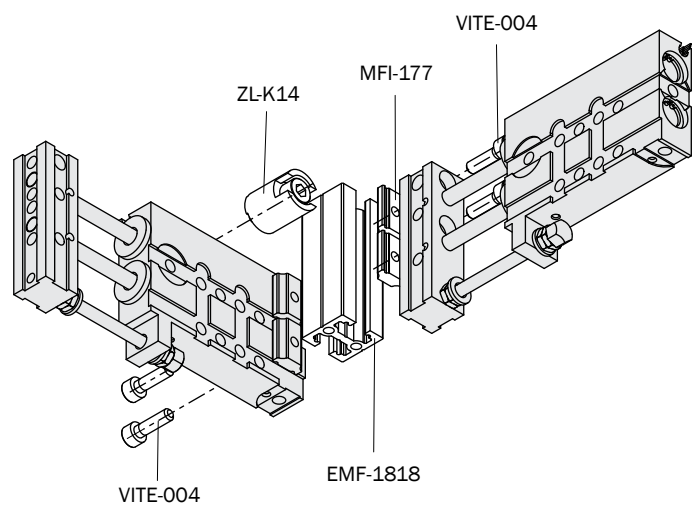
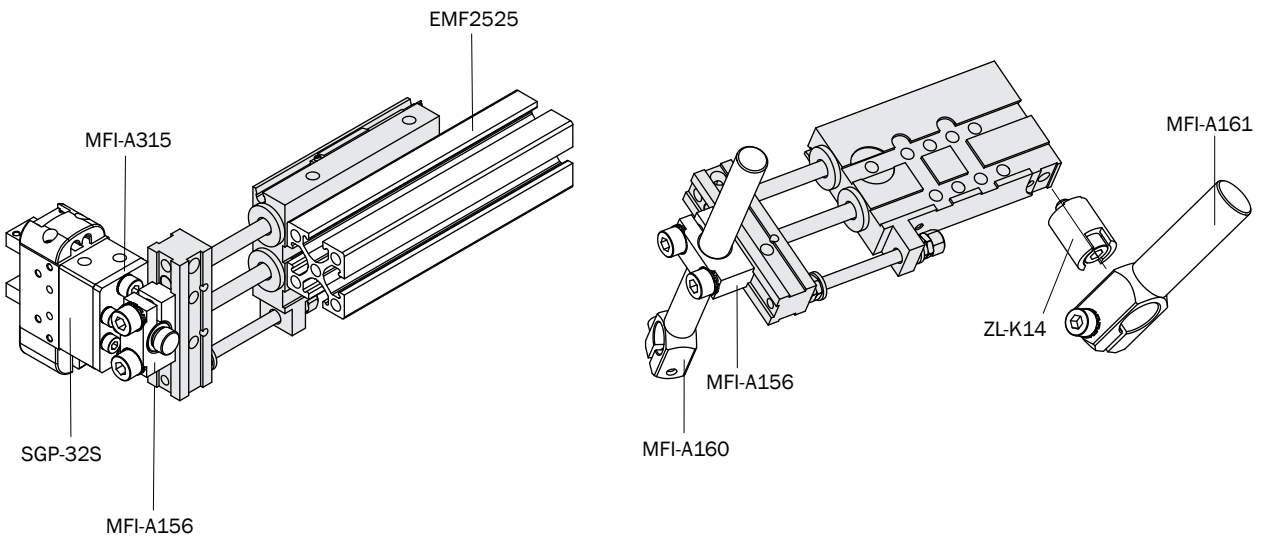
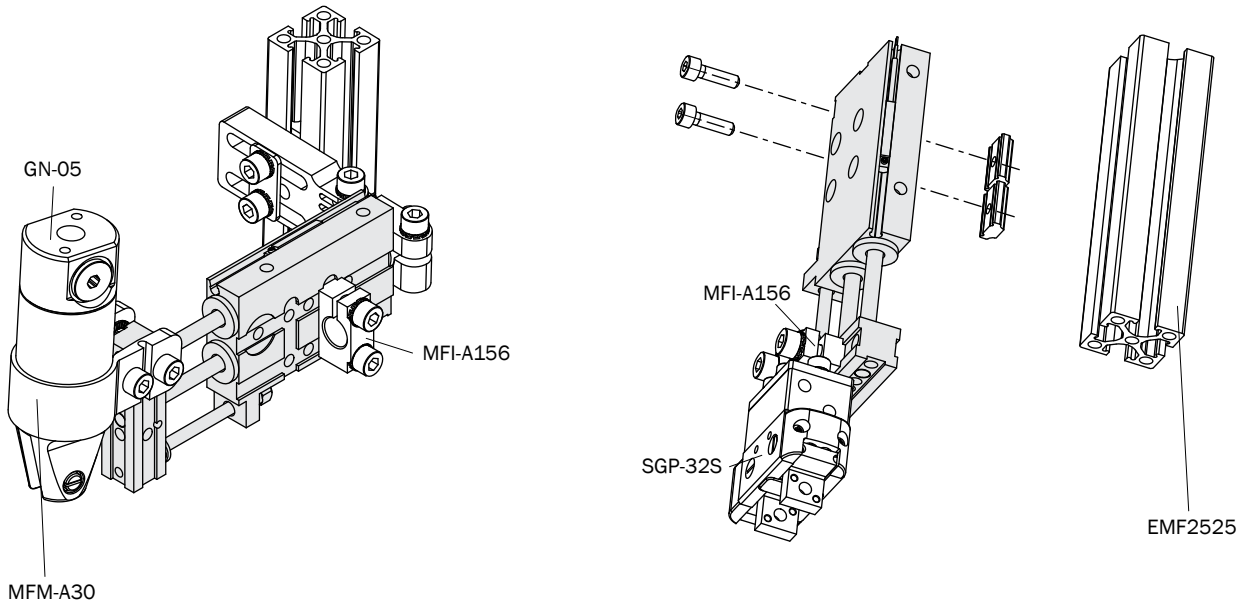
Sensor slot SS series



FIRST ANGLE PROJECTION

Application example

ZL 10



Rotary Units  
Quick Changer  
Profiles and Brackets  
Grippers  
Linear Actuators  
Suspensions  
Nippers  
Robot Kit  
Options  
Sensors

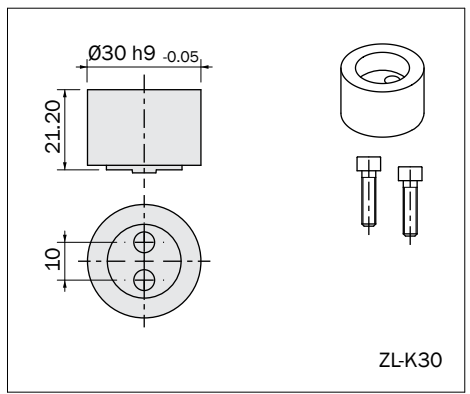
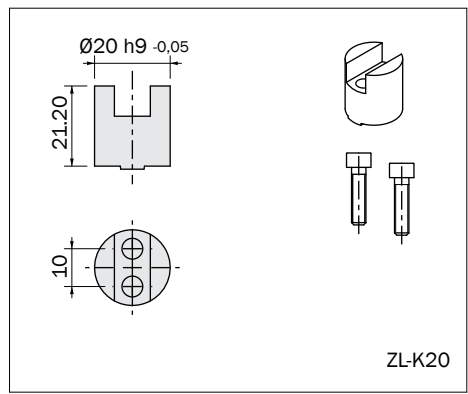
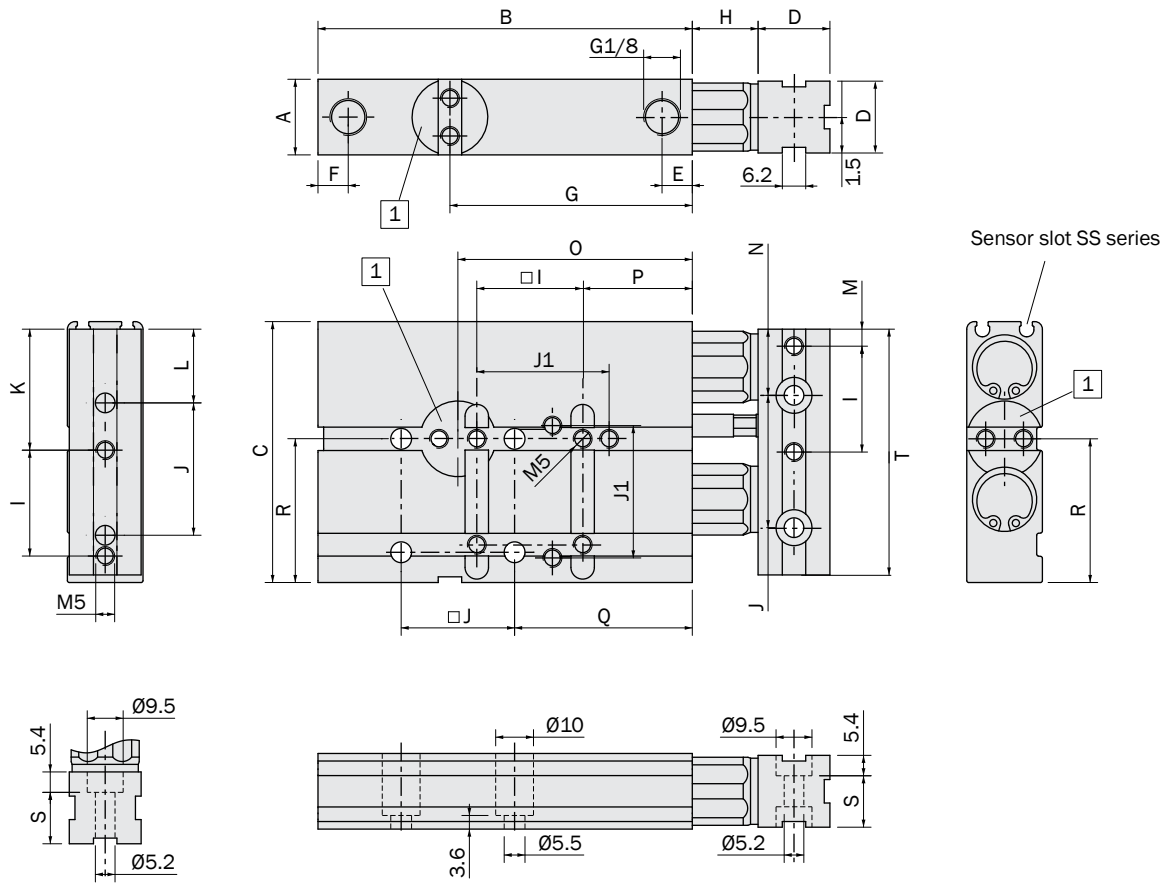
**Dimensions (mm)**

**ZL16**

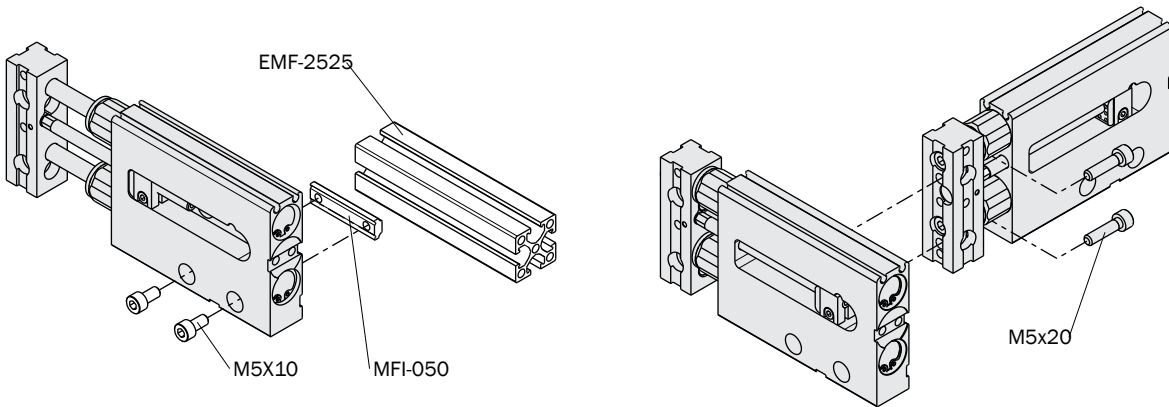
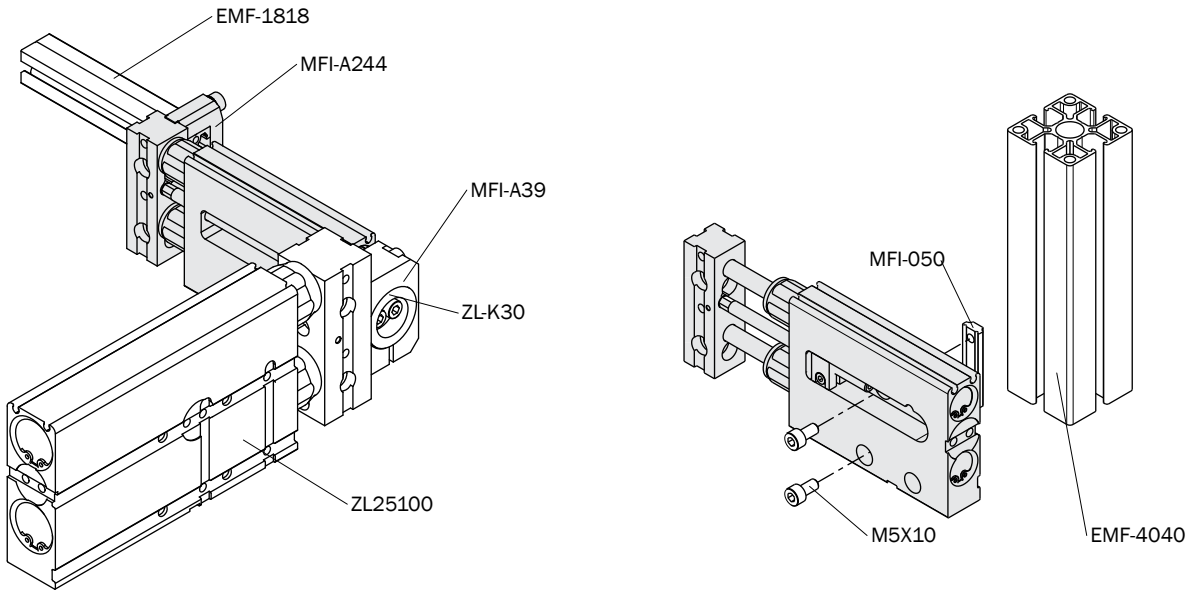
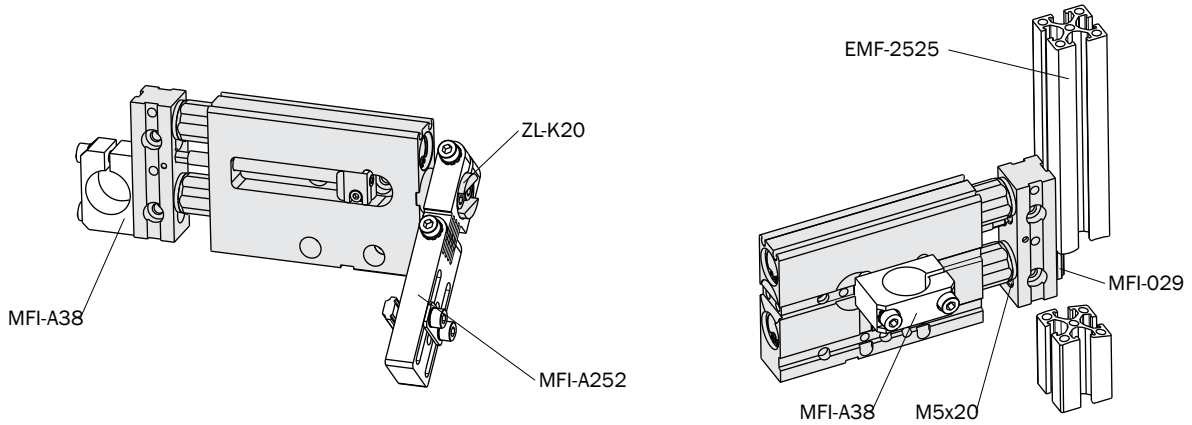
**ZL25**

	A	B	C	D	E	F	G	H	I	J	J1	K	L	M	N	O	P	Q	R	S	T
ZL1650	20	99	69	19	8	8	64.1	17.4	28	35	35	32	19.5	4.5	17.5	62	29	47	38	13.6	65
ZL16100	20	149	69	19	8	8	64.1	17.4	28	35	35	32	19.5	4.5	17.5	62	29	47	38	13.6	65
ZL2550	30	101	87	29	8.5	9.5	64.1	17.4	40	40	-	24.5	31.5	7	22	62	17	37	47	23.6	78
ZL25100	30	151	87	29	8.5	9.5	64.1	17.4	40	40	-	24.5	31.5	7	22	62	17	37	47	23.6	78

1 Mounting position for ZL-K20 e ZL-K30

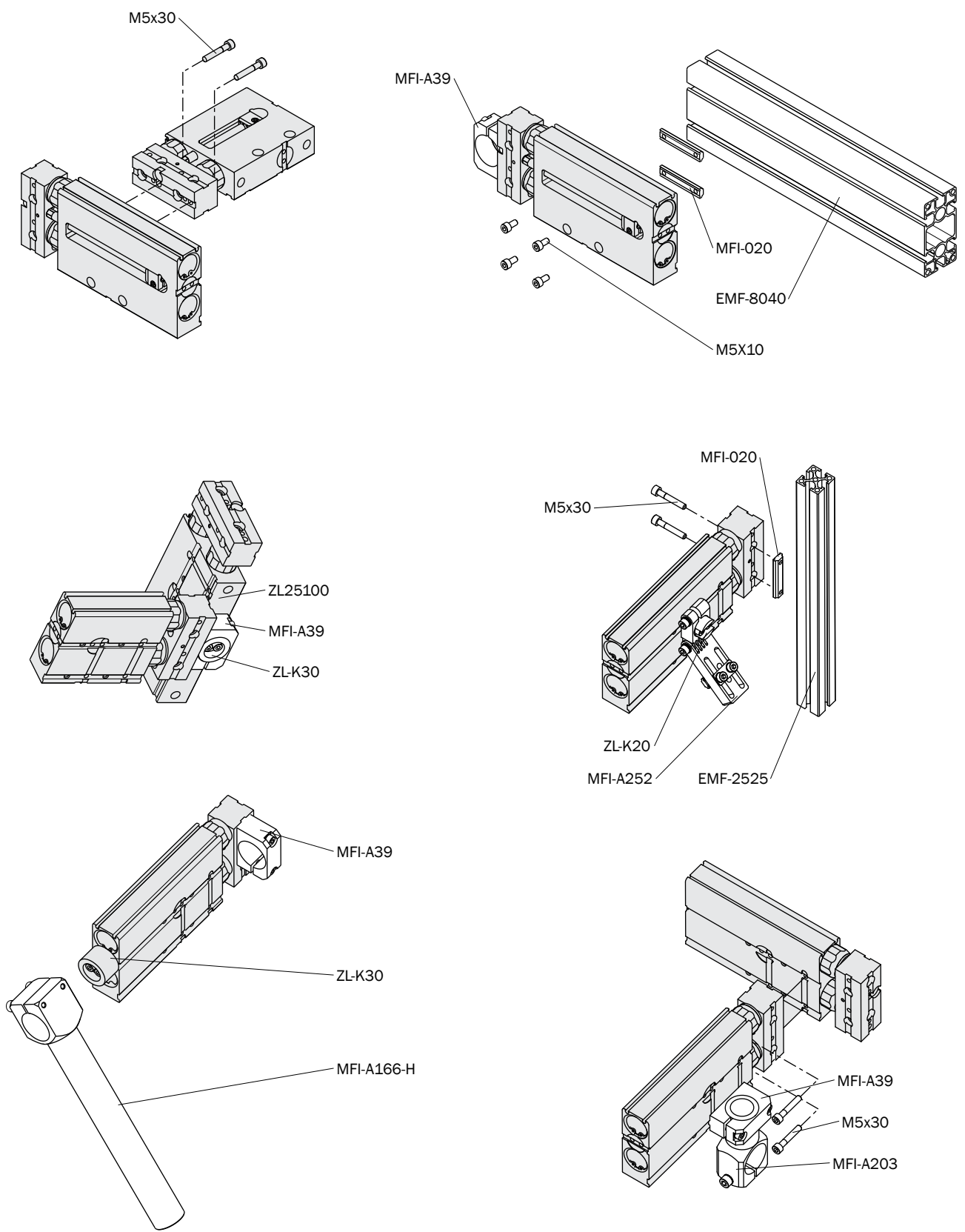


FIRST ANGLE PROJECTION



**Application example**

**ZL 25**



Rotary Units

Quick Changer

Profiles and Brackets

Grippers

**Linear Actuators**

Suspensions

Nippers

Robot Kit

Options

Sensors