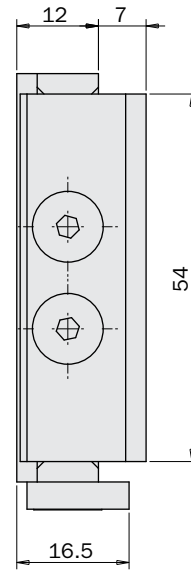
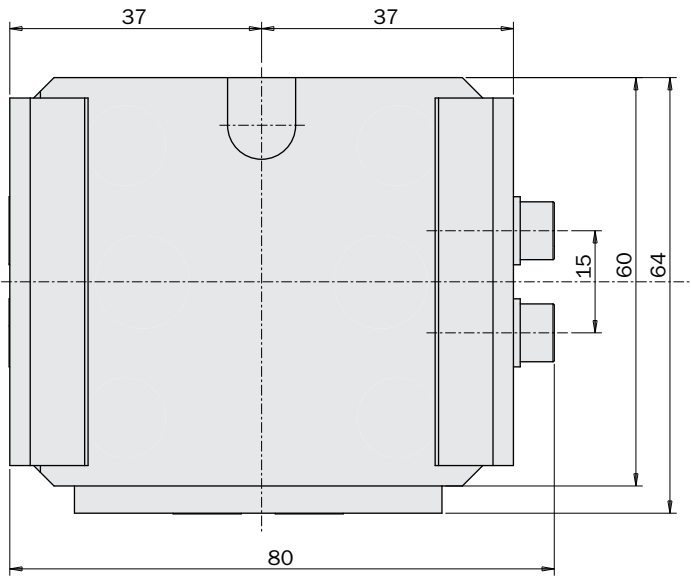
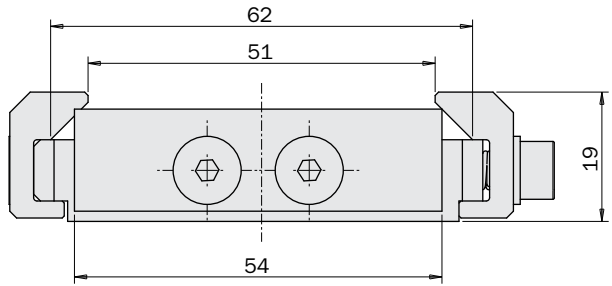


Quick changer (robot side)

MFI-A343

FIRST ANGLE PROJECTION

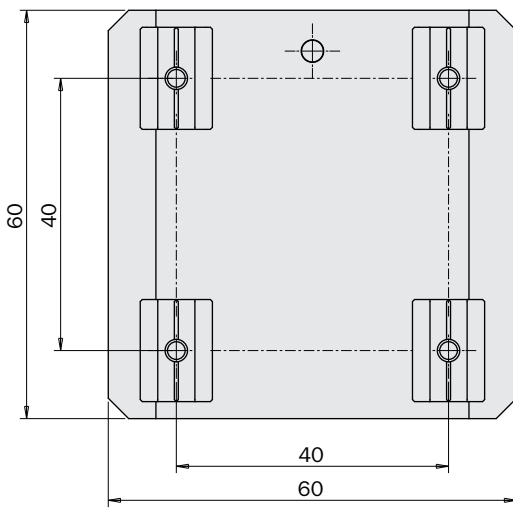
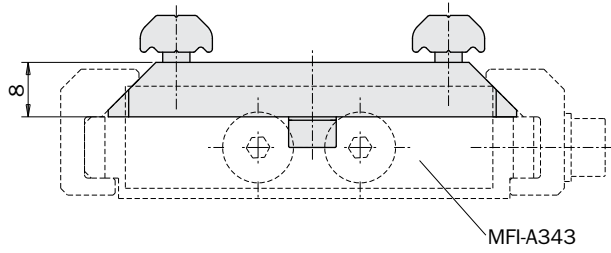
Weight 170 g



- Rotary Units
- Quick Changer
- Profiles and Brackets
- Grippers
- Linear Actuators
- Suspensions
- Nippers
- Robot Kit
- Options
- Sensors

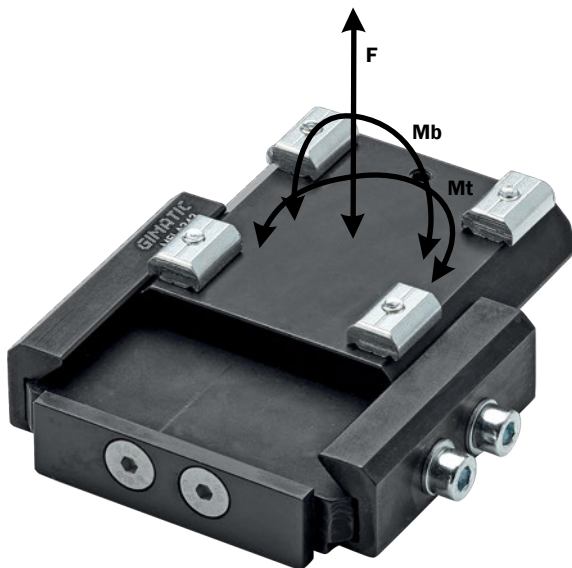
Quick changer (gripper side)

FIRST ANGLE PROJECTION



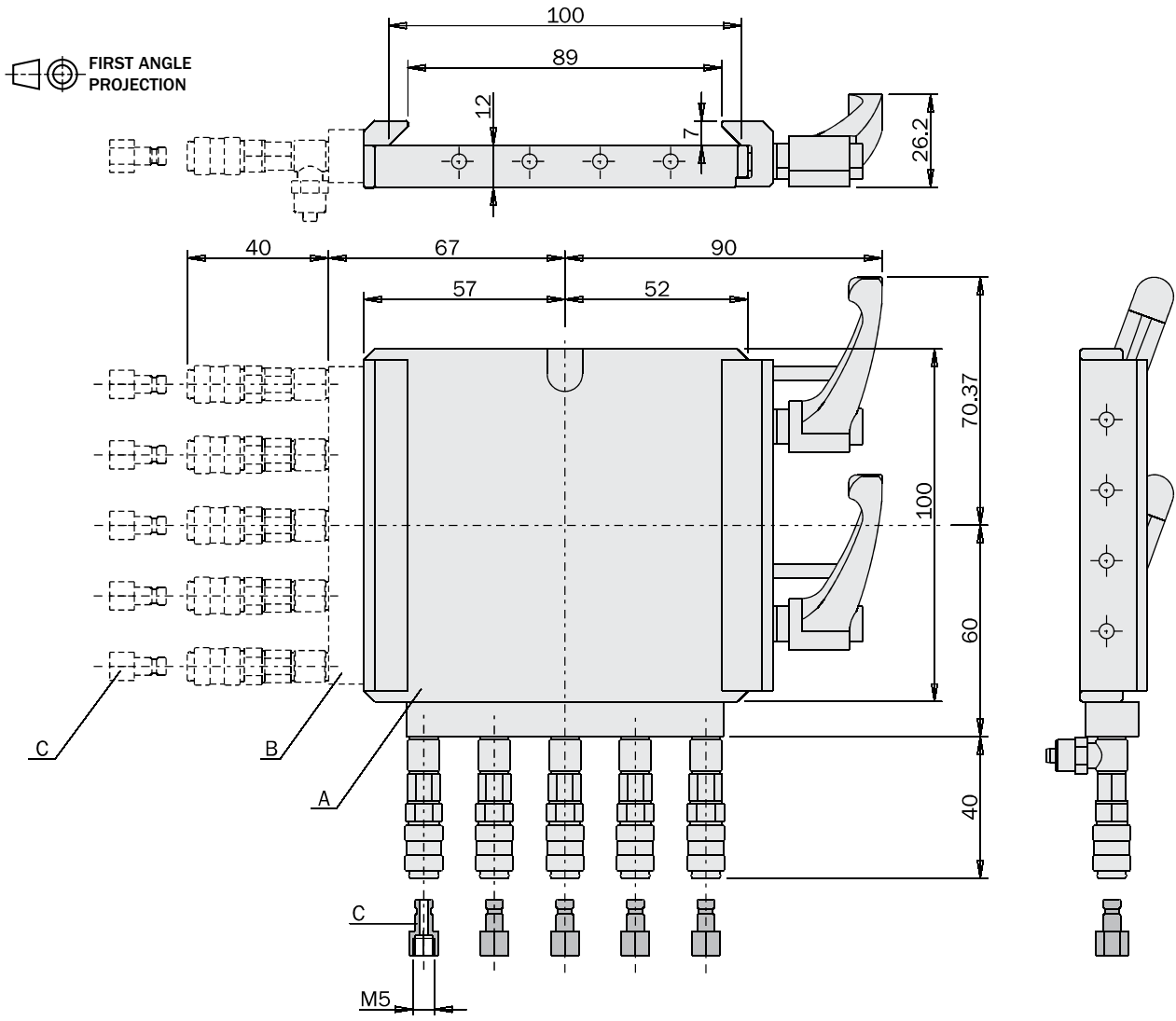
	MFI-A344
Weight	65 g

Safety loads



Robot side	MFI-A343
Gripper side	MFI-A344
Suggested payload	3kg
F	60N
Mt	9Nm
Mb	6Nm

Quick changer (robot side)



	MFI-A40	MFI-A130	MFI-A133	MFI-A135
Weight	500 g	620 g	140 g	17 g

MFI-A40



A
MFI-A130



B
MFI-A133



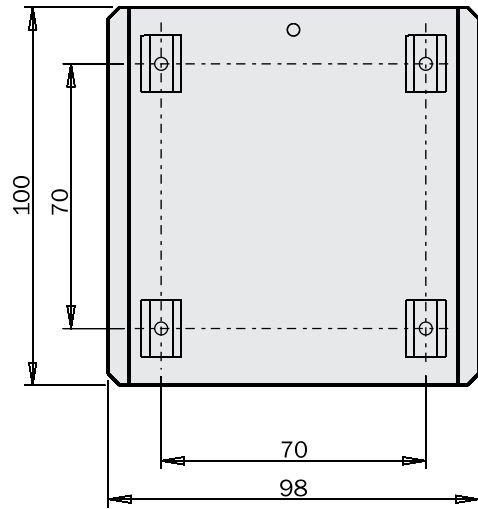
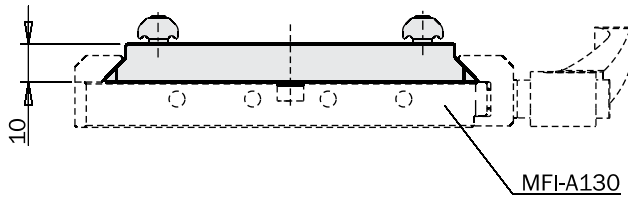
C
MFI-A135



Quick coupling (5 pieces)

Quick changer (gripper side)

FIRST ANGLE PROJECTION



MFI-A41

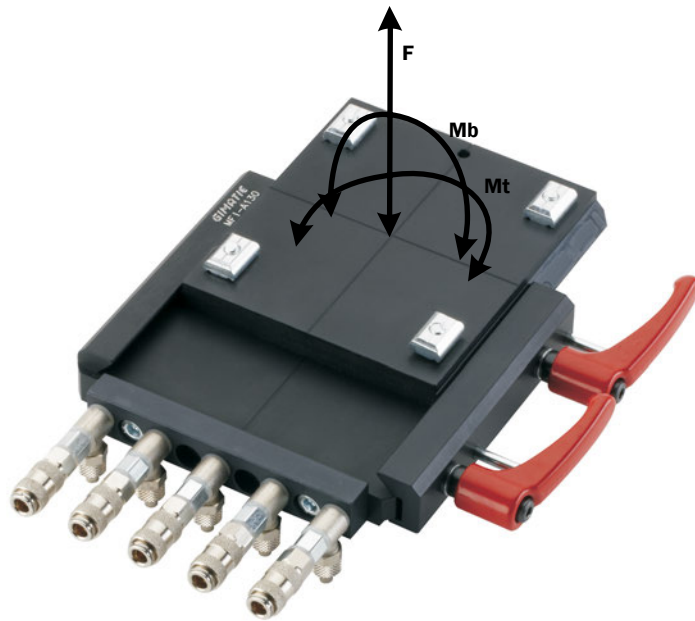
Weight **270 g**



Click for Pricing & Add to Cart



Safety loads



1-Handle robot side **SQC100-A**

2-Handle robot side **MFI-A40**

Gripper side **MFI-A41**

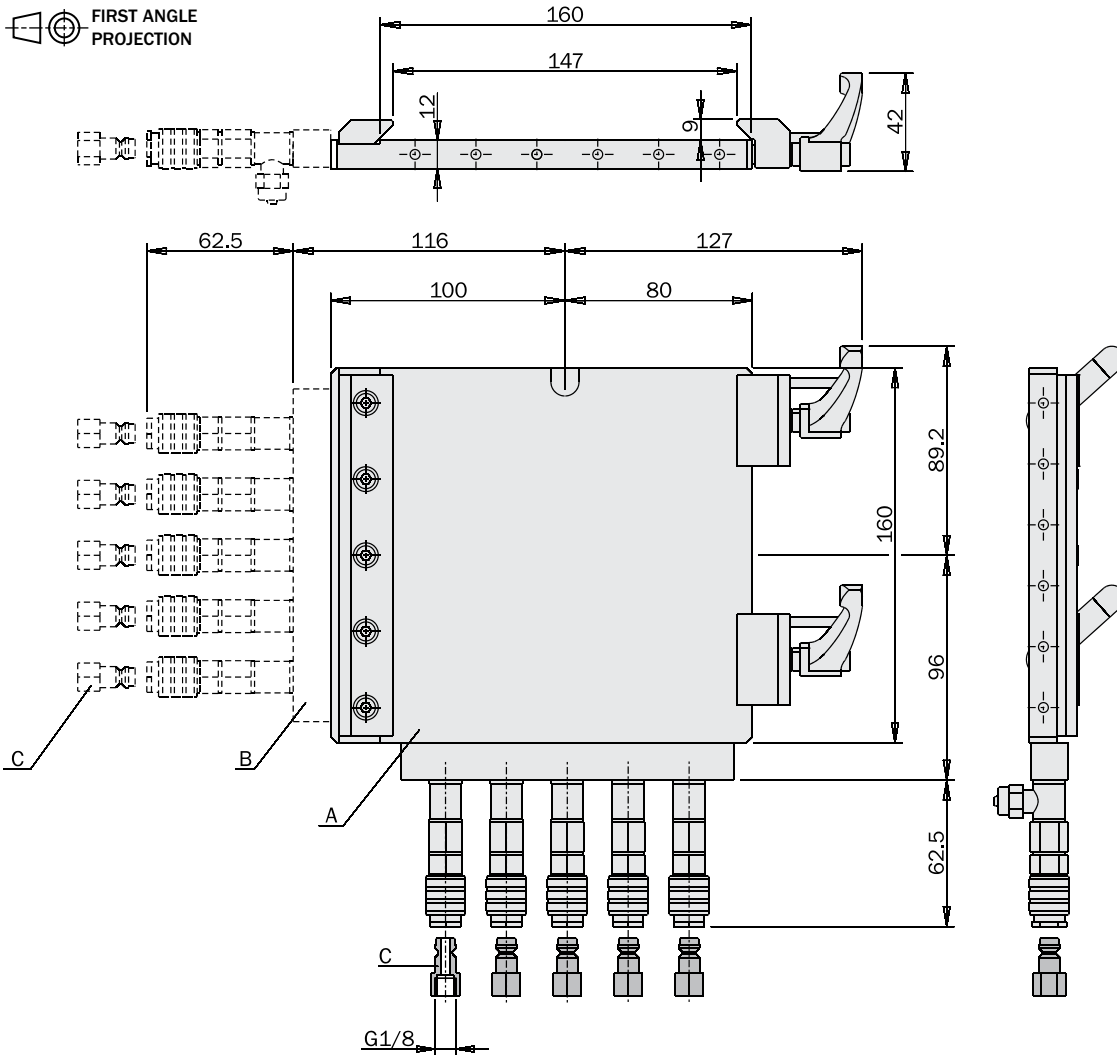
Suggested payload **10kg**

F **200N**

Mt **45Nm**

Mb **30Nm**

Quick changer (robot side)

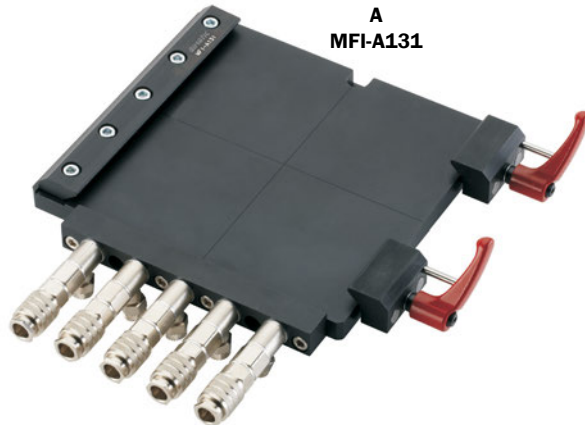


	MFI-A42	MFI-A131	MFI-A132	MFI-A134
Weight	1270 g	1650 g	450 g	40 g

MFI-A42



A
MFI-A131



B
MFI-A132



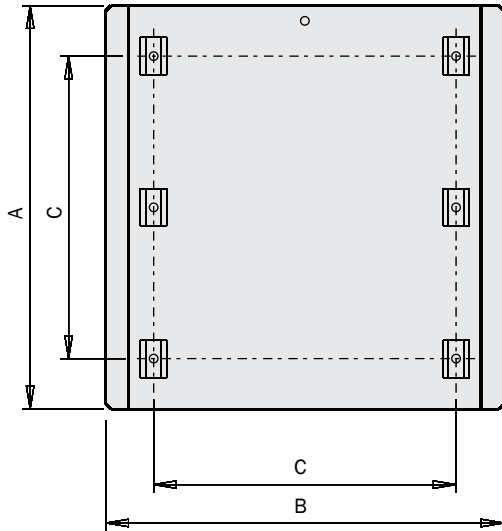
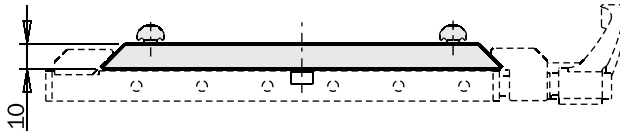
C
MFI-A134



Quick coupling (5 pieces)

Quick changer (gripper side)

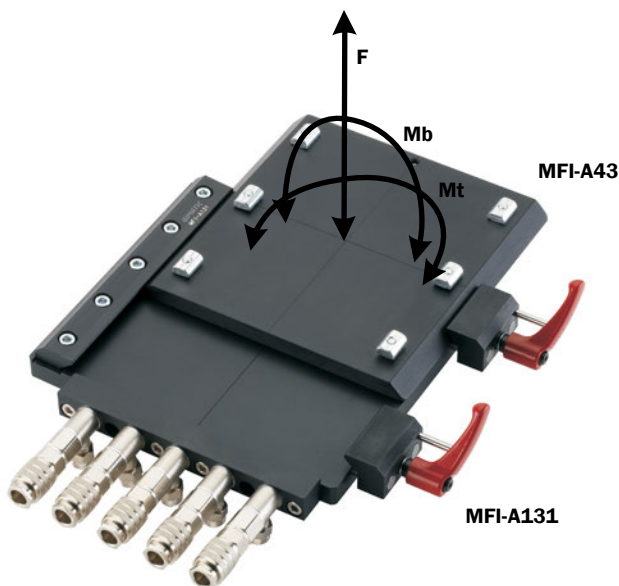
FIRST ANGLE PROJECTION



	MFI-A43	MFI-A363
Weight	670 g	1600 g
A	160 mm	250 mm
B	159 mm	249 mm
C	120 mm	200 mm



Safety loads



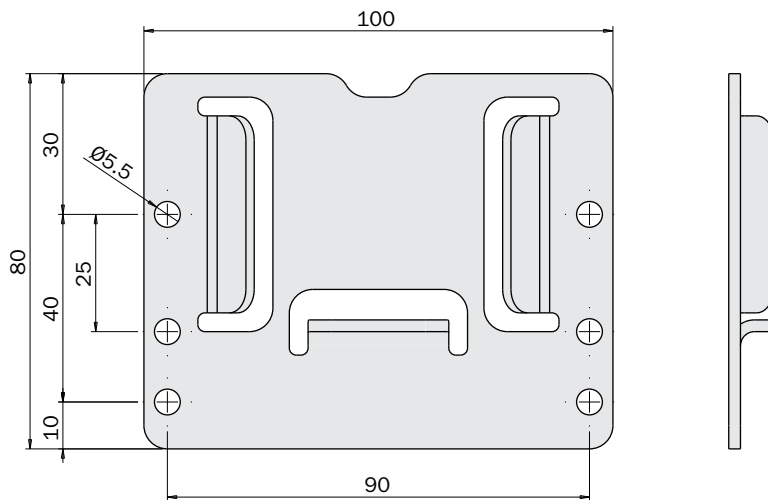
1-Handle robot side	SQC160-A	SQC250-A
2-Handle robot side	MFI-A42	-
Gripper side	MFI-A43	MFI-A363
Suggested payload	20kg	40kg
F	400N	800N
Mt	120Nm	300Nm
Mb	80Nm	200Nm

EOAT storage MFI-A344-H
 (to be used with MFI-A344, 60x60mm)



Dimensions (mm)

	MFI-A344-H
Weight	136 g

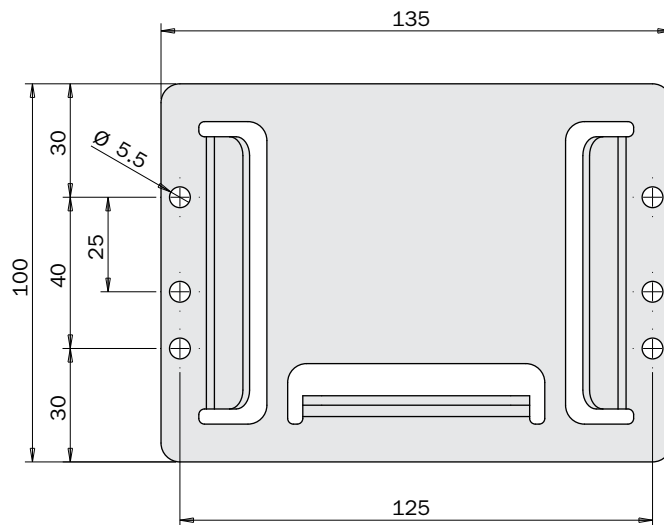


FIRST ANGLE
 PROJECTION

EOAT storage MFI-A41-H
(to be used with MFI-A41, 98x100mm)



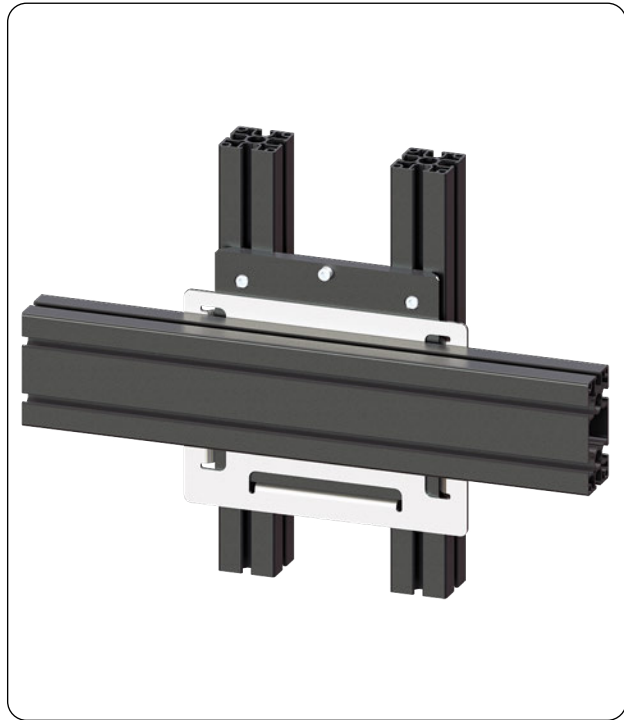
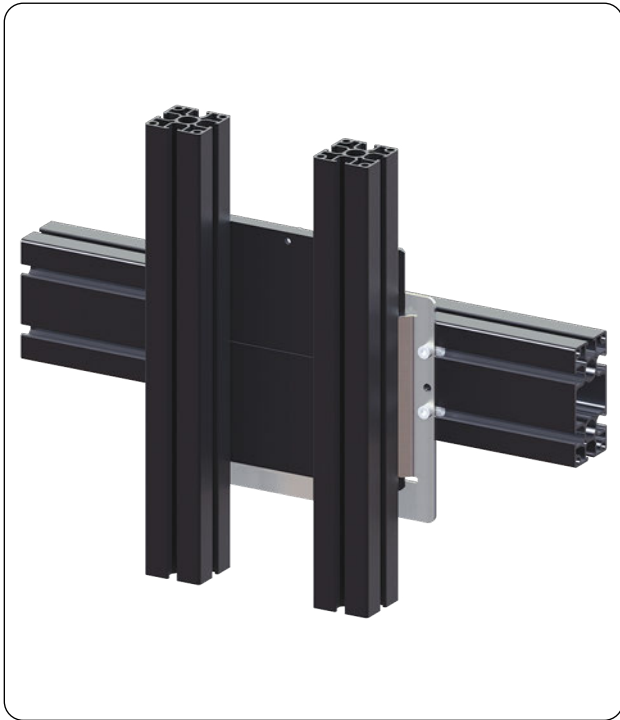
Dimensions (mm)



	MFI-A41-H
Weight	238 g

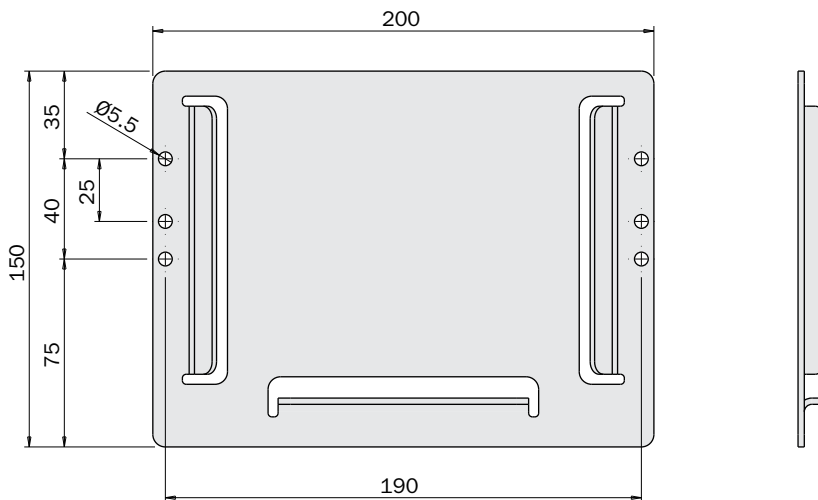
FIRST ANGLE PROJECTION

EOAT storage MFI-A43-H
 (to be used with MFI-A43, 158x160mm)



Dimensions (mm)

	MFI-A43-H
Weight	547 g



FIRST ANGLE PROJECTION

- Rotary Units
- Quick Changer
- Profiles and Brackets
- Grippers
- Linear Actuators
- Suspensions
- Nippers
- Robot Kit
- Options
- Sensors