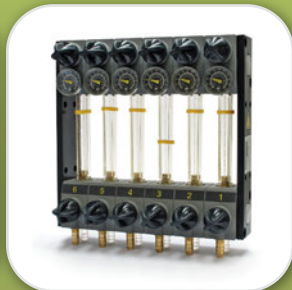




INJECTION MOLDING SUPPLIES

- Non-Return Valves
- Nozzles
- Water Manifolds
- Water Flow Regulators
- Machine & Mold Products



With links to e-com!
Click on the Quick or Part Number

*Most End of Barrel Products
are custom and not included in e-com.



This Catalog has Hotlinks for Easy Navigation!

Click for Section Overview

End-of-Barrel Products

Removeable Nozzle Tips

Click for Online Ordering

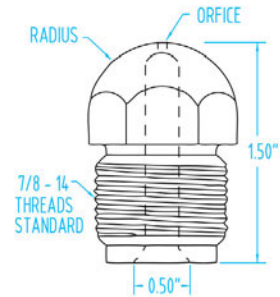
Standard Nozzle Tips

1/2" Radius

Quick#	Part#	Orifice	Price
N011	49-1-8	1/16"	\$19.20
N012	49-03-8	3/32"	\$19.20
N013	49-2-8	1/8"	\$19.20
N014	49-05-8	5/32"	\$19.20
N015	49-3-8	3/16"	\$19.20
N016	49-07-8	7/32"	\$19.20
N017	49-4-8	1/4"	\$19.20
N018	49-09-8	9/32"	\$19.20
N019	49-5-8	5/16"	\$19.20
N020	49-011-8	11/32"	\$19.20
N021	49-6-8	3/8"	\$19.20
N022	49-8-8	1/2"	\$19.20

3/4" Radius

Quick#	Part#	Orifice	Price
N045	49-1-12	1/16"	\$19.20
N046	49-03-12	3/32"	\$19.20
N047	49-2-12	1/8"	\$19.20
N048	49-05-12	5/32"	\$19.20
N049	49-3-12	3/16"	\$19.20
N050	49-07-12	7/32"	\$19.20
N051	49-4-12	1/4"	\$19.20
N052	49-09-12	9/32"	\$19.20
N053	49-5-12	5/16"	\$19.20
N054	49-011-12	11/32"	\$19.20
N055	49-6-12	3/8"	\$19.20
N056	49-8-12	1/2"	\$19.20



With direct links to e-commerce!

Home > End of Barrel > Nozzles > Standard Tips > N012 Standard Nozzle Tip

Product Detail



N012 Standard Nozzle Tip

Item #: 49 03 8
 Manufacturer Item: SA17
\$19.20 Each
 Quantity:
 Add To Cart
 Available: In Stock
[Technical Specifications](#)

Overview | Technical Specifications | Dimensional Drawing

- Standard Thread: 7/8" - 14
- Length: 1 1/2"
- Rear Opening: 1/2"
- Made of S7 tool steel
- 3/32" Orifice, 1/2" Radius

Table of Contents

End of Barrel Products 3

Ring Valves 4

Valve Material Descriptions..... 5

Ball Check Valves 20

End Cap Systems 29

Nozzles

Removeable Nozzle Tips 30

Two-Piece Nozzles 36

One-Piece Nozzles 49

Linear Edge Filters 50

Linear Edge Mixers 51

Tramp Material Filter Nozzle 52

Heater Bands 53

Internally Heated Nozzles 54

Cartridge Heaters..... 55

Shut-Off Nozzles..... 56

Machine and Mold Supplies 166

Oil Purification 168

Clean Air Bags..... 169

Drawer Magnets..... 170

Standard 171

Low Profile 174

Sealed Magnets 178

Mold Clamps..... 182

Metric Mold Clamp Bolts..... 193

Mold Side Shields 194

Gate Cutters

Bronze Gate Cutters..... 196

Steel Gate Cutters..... 200

Economy Gate Cutters 208

Water Management Products 66

Water Manifolds

Aluminum..... 68

Synchronized Aluminum 76

Compact Steel 80

Configurable Steel 104

Anodized Aluminum 116

Kool Flow Manifolds 130

Water Flow Regulators 146

Mini Regulators 148

Regulators 150

Brass Regulators 156

Water Accessories

Lock-On Hoses 161

Quick Disconnect Couplings..... 162

Fittings & Valves..... 164

Reference

Terms and Conditions 210

Go to Online Order Forms [Click here](#)EMI Credit Application [Click here](#)

Solutions For Your End-of-Barrel Needs

When it comes to developing the technology and equipment necessary to produce injection molded parts with new materials, EMI has the experience and expertise you need to stay one step ahead.

Industry Firsts

One of the world's largest manufacturers of end-of-barrel components and accessories, EMI has compiled a long list of problem-solving products including:

- The first replaceable insert ball check valve.
- The first 100% free-flow ring valve for shear sensitive materials.
- The first two cylinder, positive-open, positive-close, air-driven shut-off nozzle.
- The first high pressure shut-off nozzle.
- The first end cap and check valve system for processing rigid PVC.
- The first check valve incorporating carbide inserts to extend valve life.

Cost-Effective Engineering

Check our prices. Our pre-engineered technology lets you save on developmental costs while providing timely, problem solving solutions for all of your plastic processing needs.

- 100% certified steels, 100% inspected valves that exceed OEM specifications.
- On-site and phone technical support.
- Guaranteed dimensions and hardness specifications.



Introduction to End-of-Barrel

Ring Valves

Page 4



- Award-winning four-piece valve
- Only true 100% free-flow ring valve
- Control flow ring valves
- Interlocking ring valves

Ball Check Valves

Page 20



- Front discharge
- Hi-flow
- Side discharge
- Replaceable inserts

End Cap Systems

Page 29



- 100% free flow valve, and a special long-taper end cap-nozzle-tip assembly, eliminates turbulent flow of melt

Removeable Nozzle Tips

Page 30



- Standard 1½" length
- Extended lengths available
- Fits all replaceable tip nozzles
- ½" rear opening
- ½" or ¾" tip radius

Two-Piece Nozzles

Page 36



- Made of 4150 tool steel
- Guaranteed for two years
- Better than OEM specifications

Specialty Nozzles

Page 49



- One-piece nozzles
- Linear edge mixers
- Linear edge filters
- Tramp material filter nozzles
- Internally heated nozzles

Heater Bands

Page 53



- Constructed for long, reliable service
- Stainless steel braid, sizes up to 1½" x 1'
- Larger heater band leads are heavy-duty, reinforced fiberglass or post type

Cartridge Heaters

Page 55



- Long life and precision fit
- ¼" diameter
- Reinforced leads protect wiring

Shut-Off Nozzles

Page 56



- Minimize cycle times
- Faster fill rates for high speed or large part molding
- Virtually maintenance free

Ring Valves

100% Free Flow



This is the only true 100% free-flow ring-valve in the industry! Generous, self-cleaning flow paths minimize residence time, provide excellent screw recovery rates and allow color changes to be made easily. Highly polished radiused surfaces and an exceptionally non-compressive design make it an excellent choice when running shear, compression-sensitive, or fiber-filled materials.

Standard: H-13 tool steel, nitrided.
Optional: 440C stainless steel, CPM® 9V® tool steel, CPM S90V® stainless steel.

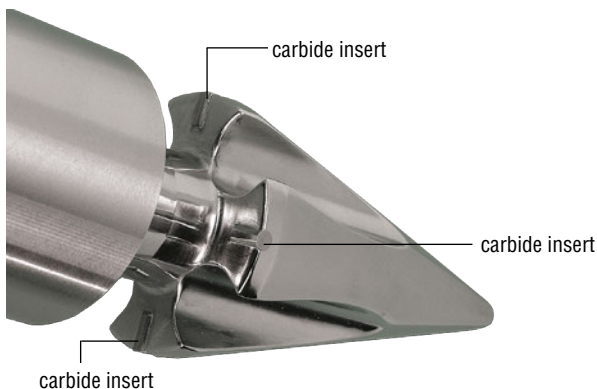
Control Flow



Excellent shut-off capabilities and a compression ratio of approximately 2:1, provide outstanding performance for more than 90% of all material applications. The Control Flow is an excellent choice for shear sensitive materials. Smooth, wide flow patterns and low compression allows shear-sensitive materials to be run with ease.

Standard: H-13 tool steel, nitrided.
Optional: CPM 9V tool steel, stainless steel, or CPM S90V stainless steel.

Carbide Inserts

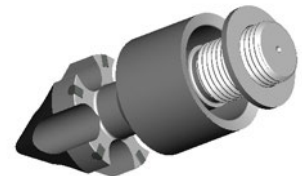


Note: While the carbide inserts protect only the flute area, adhesion wear (gauling) is usually very minor, resulting in less than 5% of valve replacement.

The extended life of this valve provides many profit-boosting benefits

The 3-piece, 4-fluted carbide insert ring valve is made of H-13 and features carbide inserts at the base of each flute. The carbide inserts protrude slightly from the flute allowing the inserts to ride against the ring rather than the flute itself. This has proven to be extremely effective in preventing wear in this area (95% of all valve wear is usually in the flute area).

EMI has also incorporated the inherent wear resistance of carbide inserts with the premium flow characteristics and processing capabilities of the EMI Free Flow.



**Due to possible design limitations and the need to assure adequate material exists for imbedding carbide inserts, please consult EMI to determine if a Free Flow Carbide Insert Valve can be produced for your application.*

Ring Valves

Interlocking Valve



EMI's interlocking check ring valve is a great design choice for general-purpose material applications. Its self-cleaning flow paths provide for quick material changes, and the ring rotates with the valve body to aid in reduction of any possible flute wear during processing.

Standard: H-13 tool steel and nitrided.
Optional: CPM 9V tool steel and CPM S90V stainless steel.

Consult EMI for assistance in selecting the right construction for your application.

Four-Piece



#1 in Cushion consistency...*Plastics Product Review*

- #1 in Integral-cavity pressure consistency
- #1 in Fill time consistency
- #2 in Plastication time consistency

The most reliable and highest quality 4-piece valve available. Five generous flow paths for the melt minimize the risk of shear burning. If the check ring's front seat begins to wear, that's all you have to replace...you're back up and running fast without replacing the whole assembly. For general-purpose resins, some engineered and fiber-filled materials. Good screw recovery rates, fast shut off and four times the seating area of a ball check, resulting in more positive seating force.

Standard: H-13 tool steel, nitrided.
Optional: CPM 9V front seat; ring and seat hardened to R/C 54-56.

Valve Material Descriptions

Item	Description	Ring Valve	Resin
H-13 Tool Steel & Nitrided	H-13 is a hot work tool steel having the ability to maintain hardness in high temperature atmospheres. It is therefore an excellent choice as a base material for nitriding which is performed at temperatures exceeding 1000° F.	The body, ring and seat are hardened to R/C 45-50 then nitrided, creating an extremely hard case of .015"-.018" depth and a very smooth "slick-like" surface equivalent to R/C 68+.	General purpose and filled materials.
CPM 9V Tool Steel	CPM grade 9V has a hot work steel analysis with a high carbon and vanadium content. This chemistry provides superior wear resistance not offered by any other specialty tool steel. CPM-9V also has exceptional torsional strength required for molding.	Body, ring and seat are hardened to R/C 53-56.	General purpose, engineered and filled materials.
CPM S90V Stainless Tool Steel	Offers the same high wear resistance and technology as CPM 9V combined with the corrosion resistance of 440C stainless steel.	Body, ring and seat are hardened to R/C 53-56 and the stud is drawn to R/C 45-49.	General purpose, filled and filled corrosive materials.

Note: CPM, 9V, and S90V are registered trademarks of Crucible Materials Corp.

Ring Valve Pricing

Arburg

Screw Diameter	Thread	Control Flow & Free Flow		Carbide Inserts		Locking Style		4 Piece	
		H13 Nitrided	CPM® 9V®	Control Flow	Free Flow	H13 Nitrided	CPM 9V	H13 Nitrided	CPM 9V
15mm	M8 x 1.25 -RH	\$320	\$387	N/A	CALL	\$399	\$485	N/A	N/A
18mm	M10 x 1.5 -RH	\$320	\$387	CALL	CALL	\$399	\$485	CALL	CALL
22mm	M12 x 1.75 -RH	\$334	\$410	CALL	CALL	\$419	\$510	CALL	CALL
25mm	M12 x 1.75 -RH	\$338	\$415	CALL	CALL	\$424	\$517	CALL	CALL
30mm	M14 x 1.5 -RH	\$363	\$472	CALL	CALL	\$454	\$589	CALL	CALL
35mm	M18 x 1.5 -RH	\$390	\$537	CALL	CALL	\$489	\$671	\$543	\$590
40mm	M18 x 1.5 -RH	\$415	\$573	\$545	CALL	\$517	\$715	\$562	\$611
45mm	M22 x 1.5 -RH	\$452	\$673	\$581	CALL	\$564	\$844	\$610	\$670
50mm	M24 x 1.5 -RH	\$494	\$800	\$623	CALL	\$616	\$998	\$662	\$740
60mm	M24 x 1.25 -RH	\$553	\$1,035	\$681	CALL	\$690	\$1,292	\$744	\$862

Autojector

Screw Diameter	Thread	Control Flow & Free Flow		Carbide Inserts		Locking Style		4 Piece	
		H13 Nitrided	CPM 9V	Control Flow	Free Flow	H13 Nitrided	CPM 9V	H13 Nitrided	CPM 9V
¾"	7/16" - 14	\$333	\$408	CALL	CALL	\$416	\$508	CALL	CALL
1"	1/2" - 13	\$359	\$442	CALL	CALL	\$450	\$553	CALL	CALL
1¼"	5/8" - 11	\$372	\$478	CALL	CALL	\$464	\$598	CALL	CALL
1½"	¾" - 10	\$404	\$555	\$534	CALL	\$507	\$694	CALL	CALL
1¾"	7/8" - 9	\$450	\$664	\$579	CALL	\$559	\$833	\$593	\$654
2"	1" - 8	\$511	\$823	\$642	CALL	\$640	\$1,030	\$650	\$729
2½"	1¼" - 7	\$624	\$1,197	\$755	CALL	\$781	\$1,496	\$800	\$919

Battenfeld

Screw Diameter	Thread	Control Flow & Free Flow		Carbide Inserts		Locking Style		4 Piece	
		H13 Nitrided	CPM® 9V®	Control Flow	Free Flow	H13 Nitrided	CPM 9V	H13 Nitrided	CPM 9V
18mm	M10 x 1.5	\$317	\$376	CALL	CALL	\$395	\$468	CALL	CALL
22mm	M12 x 1.5	\$330	\$393	CALL	CALL	\$413	\$493	CALL	CALL
25mm	M10 x 1.5	\$345	\$416	CALL	CALL	\$430	\$519	CALL	CALL
30mm	M13 x 1.5	\$368	\$469	CALL	CALL	\$459	\$588	CALL	CALL
35mm	M16 x 1.5	\$390	\$530	CALL	CALL	\$489	\$663	\$543	\$589
40mm	M20 x 2.0	\$412	\$577	\$542	CALL	\$514	\$722	\$563	\$621
45mm	M20 x 2.0	\$433	\$646	\$564	CALL	\$543	\$807	\$589	\$654
50mm	M24 x 2.0	\$464	\$736	\$594	CALL	\$581	\$919	\$616	\$680
55mm	M24 x 2.0	\$507	\$863	\$637	CALL	\$632	\$1,079	\$664	\$741
60mm	M24 x 2.0	\$575	\$1,032	\$705	CALL	\$719	\$1,290	\$784	\$901
65mm	M24 x 2.0	\$614	\$1,119	\$744	CALL	\$767	\$1,399	\$824	\$969
70mm	M40 x 2.0	\$668	\$1,279	\$800	CALL	\$836	\$1,599	\$892	\$1,040
75mm	M30 x 3.5	\$723	\$1,482	\$853	CALL	\$904	\$1,853	\$976	\$1,156
85mm	M30 x 2.0	\$849	\$1,855	\$979	CALL	\$1,061	\$2,318	\$1,127	\$1,382
90mm	M40 x 2.0	\$827	\$1,871	\$957	CALL	\$1,035	\$2,337	\$1,092	\$1,325
100mm	M60 x 1.5	\$985	\$2,454	\$1,154	CALL	\$1,234	\$3,068	\$1,290	\$1,607
125mm	M60 x 2.5	\$1,459	\$4,180	\$1,625	CALL	\$1,823	\$5,225	\$1,833	\$2,397
130mm	M60 x 2.0	\$1,619	\$4,378	\$1,773	CALL	\$2,022	\$5,470	\$1,881	\$2,380
140mm	M60 x 2.5	\$1,866	\$5,516	\$2,023	CALL	\$2,330	\$6,893	\$2,218	\$3,064
150mm	M65 x 2.5	\$2,107	\$6,651	\$2,275	CALL	\$2,635	\$8,314	\$2,557	\$3,470
170mm	M75 x 2.5	\$2,855	CALL	\$3,021	CALL	CALL	CALL	\$3,372	CALL

Ring Valve Pricing

Boy

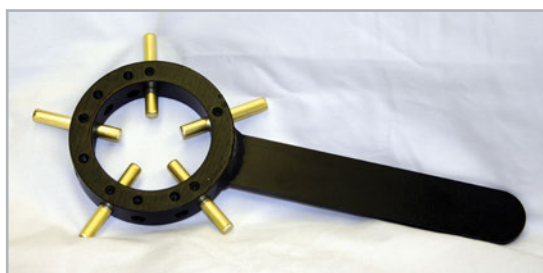
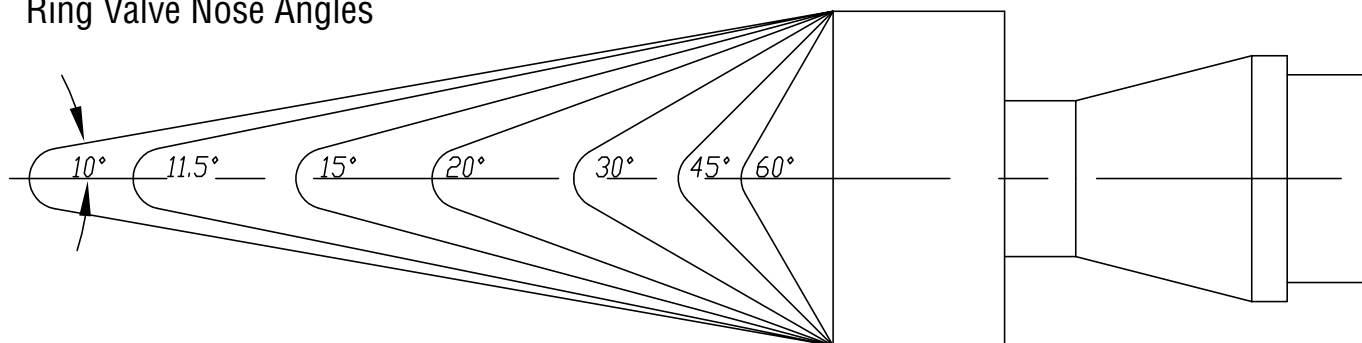
Screw Diameter	Thread	Control Flow & Free Flow		Carbide Inserts		Locking Style		4 Piece	
		H13 Nitrided	CPM 9V	Control Flow	Free Flow	H13 Nitrided	CPM 9V	H13 Nitrided	CPM 9V
14mm	M8 x 1.5	\$312	\$368	CALL	CALL	\$389	\$459	N/A	N/A
16mm	M8 x 1.5	\$312	\$368	CALL	CALL	\$389	\$459	CALL	CALL
18mm	M10 x 1.5	\$315	\$371	CALL	CALL	\$393	\$463	CALL	CALL
22mm	M10 x 1.5	\$325	\$386	CALL	CALL	\$408	\$482	CALL	CALL
24mm	M12 x 1.75	\$332	\$394	CALL	CALL	\$415	\$494	CALL	CALL
28mm	M12 x 1.75	\$348	\$437	CALL	CALL	\$436	\$547	CALL	CALL
32mm	M14 x 2.0	\$360	\$450	CALL	CALL	\$451	\$559	CALL	CALL
36mm	M16 x 2.0	\$380	\$497	\$510	CALL	\$475	\$620	\$530	\$575
38mm	M16 x 2.0	\$380	\$497	\$510	CALL	\$475	\$620	\$532	\$575
42mm	M16 x 2.0	\$399	\$555	\$529	CALL	\$499	\$694	\$562	\$612
48mm	M18 x 2.5	\$436	\$657	\$567	CALL	\$546	\$820	\$615	\$680

A note about Legacy Machines. . .

As a supplier to the plastics industry since 1968, EMI has an extensive knowledge of components you may consider "difficult to find" elsewhere. If your company still operates some vintage equipment, give us a call! We may be able to offer assistance on the following makes:

- Beloit
- Impco
- Reed
- Egan
- Jaco
- Stubbe
- Farrel
- Lester
- TMC
- Fellows
- Lombard

Ring Valve Nose Angles



Ring Valve Wrenches (Works with both 4 and 5 flute designs)

Quick#	Part#	Sizing	Price
R120	RVW-1	Up to 65mm (2 ⁹ / ₁₆ "	\$143
R121	RVW-2	Over 65mm (2 ⁹ / ₁₆ "	\$194

Need something custom? [Click here for our Ring Valve Order Form!](#)

Ring Valve Pricing

Cincinnati Milacron

Screw Diameter	Thread	Control Flow & Free Flow		Carbide Inserts		Locking Style		4 Piece	
		H13 Nitrided	CPM 9V	Control Flow	Free Flow	H13 Nitrided	CPM 9V	H13 Nitrided	CPM 9V
1 5/16"	5/8" - 11	\$378	\$497	CALL	CALL	\$472	\$620	CALL	CALL
1 5/8"	3/4" - 10	\$402	\$558	\$525	CALL	\$502	\$697	\$558	\$619
1 3/4"	3/4" - 16 (fine)	\$425	\$620	\$549	CALL	\$532	\$776	\$595	\$657
1 3/4"	7/8" - 9				CALL				
2"	1" - 8	\$455	\$699	\$579	CALL	\$569	\$874	\$615	\$689
2 1/4"	1" - 8	\$508	\$853	\$632	CALL	\$634	\$1,067	\$694	\$792
2 1/2"	1 1/4" - 12 (fine)	\$573	\$1,028	\$701	CALL	\$715	\$1,284	\$755	\$868
2 1/2"	1 1/4" - 7 (coarse)	\$573	\$1,028	\$701	CALL	\$715	\$1,284	\$755	\$868
2 3/4"	1 1/4" - 12 (fine)	\$620	\$1,178	\$749	CALL	\$776	\$1,473	\$831	\$967
2 3/4"	1 1/4" - 7 (coarse)	\$620	\$1,178	\$749	CALL	\$776	\$1,473	\$831	\$967
3 1/4"	1 1/2" - 12 (fine)	\$768	\$1,625	\$900	CALL	\$961	\$2,029	\$1,004	\$1,203
3 1/4"	1 1/2" - 6 (coarse)	\$768	\$1,625	\$900	CALL	\$961	\$2,029	\$1,004	\$1,203
3 1/2"	1 1/2" - 12 (fine)	\$858	\$1,886	\$995	CALL	\$1,074	\$2,358	\$1,119	\$1,351
3 1/2"	1 1/2" - 6 (coarse)	\$858	\$1,886	\$995	CALL	\$1,074	\$2,358	\$1,119	\$1,351
3 1/2"	1 3/4" - 6 (coarse)	\$858	\$1,886	\$995	CALL	\$1,074	\$2,358	\$1,119	\$1,351
4 1/2"	2" - 12 (fine)	\$1,232	\$3,195	\$1,375	CALL	\$1,541	\$3,995	\$1,586	\$2,016
4 1/2"	2" - 6 (coarse)	\$1,232	\$3,195	\$1,375	CALL	\$1,541	\$3,995	\$1,586	\$2,016
5 1/4"	2 1/4" - 12 (fine)	\$1,643	\$4,632	\$1,794	CALL	\$2,054	\$5,789	\$2,110	\$2,800
5 1/4"	2 1/4" - 6 (fine)	\$1,643	\$4,632	\$1,794	CALL	\$2,054	\$5,789	\$2,110	\$2,800
6"	2 1/2" - 6 (coarse)	\$2,101	\$6,577	\$2,262	CALL	\$2,626	\$8,220	\$2,812	\$3,845
8"	3 1/2" - 6 (coarse)	\$4,185	CALL	CALL	CALL	\$5,231	CALL	\$5,147	CALL
18mm	M8 x 1.25	\$315	\$374	CALL	CALL	\$393	\$465	CALL	CALL
20mm	M10 x 1.5	\$320	\$381	CALL	CALL	\$399	\$476	CALL	CALL
22mm	M10 x 1.5				CALL				
24mm	M10 x 1.5	\$332	\$398	CALL	CALL	\$415	\$497	CALL	CALL
28mm	M12 x 1.75	\$342	\$415	CALL	CALL	\$426	\$517	CALL	CALL
32mm	M18 x 2.5	\$369	\$473	CALL	CALL	\$462	\$590	CALL	CALL
35mm	M18 x 2.5	\$386	\$528	CALL	CALL	\$482	\$659	\$530	\$575
36mm	M20 x 2.5	\$393	\$534	\$516	CALL	\$493	\$670	\$534	\$581
40mm	M20 x 2.5	\$399	\$546	\$532	CALL	\$499	\$683	\$540	\$582
42mm	M22 x 2.5	\$410	\$606	\$524	CALL	\$510	\$757	\$563	\$619
45mm	M22 x 2.5	\$432	\$636	\$556	CALL	\$541	\$794	\$580	\$641
50mm	M24 x 3.0	\$468	\$766	\$593	CALL	\$586	\$957	\$644	\$715
55mm	M24 x 3.0	\$516	\$898	\$645	CALL	\$646	\$1,123	\$693	\$789
60mm	M27 x 3.0	\$553	\$1,035	\$681	CALL	\$690	\$1,292	\$744	\$862
65mm	M30 x 3.5	\$573	\$1,037	\$701	CALL	\$715	\$1,297	\$751	\$849
70mm	M36 x 4.0	\$659	\$1,320	\$790	CALL	\$824	\$1,650	\$840	\$988
80mm	M42 x 4.5	\$753	\$1,676	\$885	CALL	\$941	\$2,093	\$961	\$1,169
90mm	M48 x 5.0	\$944	\$2,196	\$1,083	CALL	\$1,180	\$2,743	\$1,110	\$1,364
100mm	M52 x 5.0	\$1,101	\$2,757	\$1,244	CALL	\$1,377	\$3,446	\$1,270	\$1,611
110mm	M56 x 5.5	\$1,486	\$3,912	\$1,637	CALL	\$1,856	\$4,889	\$1,745	\$2,187
125mm	M64 x 6.0	\$1,619	\$4,378	\$1,773	CALL	\$2,022	\$5,470	\$1,881	\$2,380
140mm	M72 x 6.0	\$2,101	\$4,909	\$2,674	CALL	\$2,210	\$6,132	\$2,036	\$2,035
160mm	M80 x 6.0	\$3,143	CALL	\$3,280	CALL	\$2,386	CALL	\$2,326	CALL

Need something custom? Click here for our Ring Valve Order Form!

Ring Valve Pricing

Demag

Screw Diameter	Thread	Control Flow & Free Flow		Carbide Inserts		Locking Style		4 Piece	
		H13 Nitrided	CPM® 9V®	Control Flow	Free Flow	H13 Nitrided	CPM 9V	H13 Nitrided	CPM 9V
18mm	M8 x 1.25	\$320	\$387	N/A	CALL	\$399	\$485	N/A	N/A
22mm	M10 x 1.5	\$325	\$390	CALL	CALL	\$408	\$489	CALL	CALL
25mm	M10 x 1.5	\$335	\$402	CALL	CALL	\$420	\$502	CALL	CALL
28mm	M12 x 1.75	\$350	\$442	CALL	CALL	\$437	\$553	CALL	CALL
30mm	M12 x 1.75	\$352	\$439	CALL	CALL	\$439	\$550	CALL	CALL
32mm	M14 X 2.0	\$364	\$486	CALL	CALL	\$456	\$608	\$606	\$555
38mm	M16 x 2.0	\$426	\$610	\$556	CALL	\$533	\$762	\$571	\$615
40mm	M16 x 2.0	\$460	\$706	\$590	CALL	\$576	\$883	\$607	\$660
45mm	TR20 x 3.0	\$494	\$761	\$623	CALL	\$616	\$952	\$629	\$688
52mm	TR22 x 3.0	\$558	\$922	\$689	CALL	\$697	\$1,152	\$689	\$755
60mm	TR27 x 3.0	\$615	\$1,132	\$745	CALL	\$770	\$1,417	\$767	\$878
70mm	TR40 X 3.0	\$753	\$1,563	\$884	CALL	\$941	\$1,955	\$904	\$1,040
82mm	TR35 x 3.0	\$961	\$2,222	\$1,089	CALL	\$1,199	\$2,777	\$1,104	\$1,301
110mm	TR50 x 3.0	\$1,321	\$3,588	\$1,466	CALL	\$1,652	\$4,485	\$1,632	\$2,088
120mm	TR60 x 3.0	\$1,795	\$5,545	\$1,958	CALL	\$2,262	\$6,949	\$2,106	\$2,922
145mm	TR65 x 4.0	\$2,679	\$8,798	\$2,867	CALL	\$3,351	\$10,998	\$2,769	\$4,009

Engel

Screw Diameter	Thread	Control Flow & Free Flow		Carbide Inserts		Locking Style		4 Piece	
		H13 Nitrided	CPM 9V	Control Flow	Free Flow	H13 Nitrided	CPM 9V	H13 Nitrided	CPM 9V
18mm	M10 x 1.5 -RH	\$317	\$377	CALL	CALL	\$395	\$469	CALL	CALL
22mm	M12 x 1.75 -RH	\$325	\$386	CALL	CALL	\$408	\$482	CALL	CALL
25mm	M12 x 1.75 -RH	\$334	\$400	CALL	CALL	\$419	\$501	CALL	CALL
30mm	M12 x 1.75 -RH	\$354	\$452	CALL	CALL	\$441	\$564	CALL	CALL
35mm	M12 x 1.75 -RH	\$382	\$521	CALL	CALL	\$477	\$653	\$542	\$593
40mm	M16 x 2.0 -RH	\$391	\$527	\$521	CALL	\$490	\$658	\$549	\$593
45mm	M20 x 2.5 -RH	\$420	\$603	\$550	CALL	\$525	\$751	\$551	\$606
50mm	M24 x 3.0 -RH	\$455	\$681	\$584	CALL	\$569	\$850	\$620	\$686
55mm	M24 x 3.0 -RH	\$486	\$784	\$616	CALL	\$608	\$979	\$657	\$737
60mm	M30 x 3.5 -RH	\$511	\$852	\$642	CALL	\$640	\$1,066	\$676	\$774
65mm	M32 x 3.0 -RH	\$547	\$961	\$676	CALL	\$684	\$1,199	\$715	\$815
70mm	M36 x 4.0 -RH	\$593	\$1,095	\$723	CALL	\$741	\$1,369	\$761	\$885
80mm	M36 x 4.0 -RH	\$720	\$1,507	\$850	CALL	\$901	\$1,885	\$939	\$1,135
85mm	M42 x 4.5 -RH	\$781	\$1,758	\$911	CALL	\$976	\$2,198	\$983	\$1,226
90mm	M42 x 4.5 -RH	\$849	\$1,855	\$979	CALL	\$1,061	\$2,318	\$1,127	\$1,382
95mm	M42 x 4.5 -RH	\$928	\$2,279	\$1,058	CALL	\$1,160	\$2,850	\$1,138	\$1,430
105mm	M42 x 4.5 -RH	\$1,117	\$2,999	\$1,282	CALL	\$1,396	\$3,748	\$1,347	\$1,742
120mm	M54 x 2.0 -RH	\$1,403	\$4,012	\$1,570	CALL	\$1,754	\$5,014	\$1,635	\$2,170
135mm	M64 x 2.0 -RH	\$1,821	\$5,625	\$1,988	CALL	\$2,280	\$7,030	\$2,055	\$2,817
150mm	M64 x 6.0 -RH	\$2,245	\$7,238	\$2,412	CALL	\$2,807	\$9,047	\$2,475	\$3,465
170mm	M64 x 6.0 -RH	\$2,850	CALL	\$3,016	CALL	\$2,945	CALL	\$3,367	CALL

Ring Valve Pricing

HPM

Screw Diameter	Thread	Control Flow & Free Flow		Carbide Inserts		Locking Style		4 Piece	
		H13 Nitrided	CPM 9V	Control Flow	Free Flow	H13 Nitrided	CPM 9V	H13 Nitrided	CPM 9V
1 1/8"	1 1/2" - 20	\$359	\$459	CALL	CALL	\$450	\$575	CALL	CALL
1 3/8"	5/8" - 11	\$382	\$515	CALL	CALL	\$477	\$645	\$534	\$581
1 1/2"	5/8" - 11	\$391	\$542	\$521	CALL	\$490	\$676	\$554	\$603
1 5/8"	3/4" - 16	\$432	\$634	\$562	CALL	\$540	\$792	\$654	\$651
1 3/4"	3/4" - 10	\$417	\$597	\$547	CALL	\$520	\$746	\$586	\$637
2"	7/8" - 9	\$447	\$671	\$576	CALL	\$556	\$840	\$610	\$671
2 1/4"	1" - 8	\$489	\$810	\$619	CALL	\$612	\$1,013	\$655	\$742
2 9/16"	1" - 8	\$562	\$949	\$692	CALL	\$702	\$1,187	\$715	\$826
2 1/2"	1 1/8" - 7	\$504	\$820	\$634	CALL	\$628	\$1,027	\$676	\$768
3"	1 5/8" - 6	\$623	\$1,200	\$753	CALL	\$779	\$1,499	\$787	\$914
3 1/2"	1 3/4" - 6	\$764	\$1,611	\$894	CALL	\$954	\$2,012	\$924	\$1,084
4"	2" - 6	\$931	\$2,150	\$1,096	CALL	\$1,164	\$2,687	\$1,160	\$1,424
4 1/2"	2 1/4" - 6	\$1,087	\$2,739	\$1,255	CALL	\$1,360	\$3,422	\$1,366	\$1,712
5 1/4"	2 3/4" - 6	\$1,555	\$4,378	1,227	CALL	\$1,944	\$5,470	\$1,876	\$2,395
6"	3" - 6	\$1,863	\$5,533	1,446	CALL	\$2,330	\$6,917	\$2,217	\$2,937

Husky

Screw Diameter	Thread	Control Flow & Free Flow		Carbide Inserts		Locking Style		4 Piece	
		H13 Nitrided	CPM 9V	Control Flow	Free Flow	H13 Nitrided	CPM 9V	H13 Nitrided	CPM 9V
25mm	M12 x 1.75	\$334	CALL	CALL	CALL	CALL	CALL	CALL	CALL
30mm	M14 x 2.0	\$363	\$465	CALL	CALL	\$454	415	CALL	\$547
32mm	M14 x 2.0	\$372	CALL	CALL	CALL	CALL	CALL	CALL	CALL
35mm	M18 x 2.0	\$389	CALL	CALL	CALL	CALL	CALL	\$514	CALL
42mm	M20.x 2.5	\$430	CALL	\$562	CALL	CALL	CALL	\$566	CALL
46mm	M20.x 2.5	\$459	CALL	\$589	CALL	CALL	CALL	\$602	CALL
50mm	M26 x 3.0	\$485	CALL	\$615	CALL	CALL	CALL	\$614	CALL
60mm	M30 x 3.5	\$579	CALL	\$709	CALL	CALL	CALL	CALL	CALL
70mm	M36 x 4.0	\$676	CALL	\$807	CALL	CALL	CALL	CALL	CALL
80mm	M42 x 4.5	\$810	CALL	\$933	CALL	CALL	CALL	CALL	CALL
85mm	M42 x 4.5	\$883	CALL	\$1,013	CALL	CALL	CALL	CALL	CALL
90mm	M45 x 4.5	\$997	CALL	\$1,166	CALL	CALL	CALL	CALL	CALL
100mm	M52 x 5.0	\$1,175	CALL	\$1,343	CALL	CALL	CALL	CALL	CALL
110mm	M52 x 5.0	\$1,351	CALL	\$1,516	CALL	CALL	CALL	CALL	CALL
115mm	M60 x 5.5	\$1,504	CALL	\$1,671	CALL	CALL	CALL	CALL	CALL
120mm	M64 x 6.0	\$1,654	CALL	\$1,820	CALL	CALL	CALL	CALL	CALL
125mm	M64 x 6.0	\$1,789	CALL	\$1,957	CALL	CALL	CALL	CALL	CALL
140mm	M72 x 6.0	\$2,328	CALL	\$2,493	CALL	CALL	CALL	CALL	CALL
145mm	M72 x 6.0	\$2,441	CALL	\$2,608	CALL	CALL	CALL	CALL	CALL
155mm	M72 x 6.0	\$2,872	CALL	\$3,041	CALL	CALL	CALL	CALL	CALL
160mm	M85 x 6.0	\$3,020	CALL	\$3,185	CALL	CALL	CALL	CALL	CALL
175mm	M90 X 6.0	\$3,790	CALL	\$3,956	CALL	CALL	CALL	CALL	CALL

Need something custom? [Click here for our Ring Valve Order Form!](#)

Ring Valve Pricing

JSW

Screw Diameter	Thread	Control Flow & Free Flow		Carbide Inserts		Locking Style		4 Piece	
		H13 Nitrided	CPM® 9V®	Control Flow	Free Flow	H13 Nitrided	CPM 9V	H13 Nitrided	CPM 9V
20mm	M10 x 1.5	\$334	\$410	CALL	CALL	\$419	\$510	CALL	CALL
25mm	M12 x 1.75	\$345	\$425	CALL	CALL	\$430	\$532	CALL	CALL
28mm	M16 x 2.0	\$363	\$477	CALL	CALL	\$454	\$595	CALL	CALL
32mm	M18 x 2.5	\$378	\$502	CALL	CALL	\$472	\$627	CALL	CALL
35mm	TR20 x 3.0	\$412	\$592	CALL	CALL	\$514	\$740	\$541	\$586
40mm	TR22 x 3.0	\$425	\$623	\$555	CALL	\$532	\$779	\$558	\$608
45mm	TR27 x 3.0	\$451	\$705	\$580	CALL	\$563	\$881	\$580	\$636
46mm	TR24 x 3.0	\$468	\$788	\$598	CALL	\$586	\$984	\$606	\$670
51mm	TR27 x 3.0	\$515	\$889	\$646	CALL	\$645	\$1,113	\$649	\$714
53mm	TR28 x 3.0	\$562	\$989	\$692	CALL	\$702	\$1,236	\$681	\$770
58mm	M36 x 3.0	\$597	\$1,126	\$728	CALL	\$746	\$1,407	\$690	\$776
60mm	TR55 x 3.0	\$634	\$1,274	\$764	CALL	\$790	\$1,593	\$722	\$822
66mm	TR38 x 3.0	\$686	\$1,374	\$815	CALL	\$857	\$1,717	\$748	\$850
68mm	TR40 x 3.0	\$740	\$1,595	\$870	CALL	\$924	\$1,994	\$806	\$931
72mm	TR40 x 3.0	\$801	\$1,739	\$931	CALL	\$1,001	\$2,174	\$881	\$1,011
76mm	TR40 x 3.0	\$844	\$1,994	\$974	CALL	\$1,053	\$2,492	\$961	\$1,115
84mm	TR47 x 3.0	\$1,024	\$2,695	\$1,156	CALL	\$1,279	\$3,367	\$1,119	\$1,339
86mm		\$1,161	\$3,381	\$1,291	CALL	\$1,452	\$4,228	\$1,262	\$1,547
100mm		\$1,377	\$3,895	\$1,544	CALL	\$1,723	\$4,869	\$1,405	\$1,716

Kawaguchi

Screw Diameter	Thread	Control Flow & Free Flow		Carbide Inserts		Locking Style		4 Piece	
		H13 Nitrided	CPM 9V	Control Flow	Free Flow	H13 Nitrided	CPM 9V	H13 Nitrided	CPM 9V
25mm	TR13 x 2.0	\$339	\$413	CALL	CALL	\$425	\$515	CALL	CALL
27mm	M14 x 2.0	\$358	\$462	CALL	CALL	\$447	\$577	CALL	CALL
28mm	M15 x 1.5	\$355	\$456	CALL	CALL	\$443	\$571	CALL	CALL
30mm	M16 x 1.5	\$368	\$477	CALL	CALL	\$459	\$595	CALL	CALL
32mm	M16 x 1.5	\$372	\$485	CALL	CALL	\$464	\$607	CALL	CALL
34mm	M18 x 2.0	\$391	\$546	CALL	CALL	\$490	\$683	CALL	CALL
35mm	M20 x 2.0	\$395	\$554	CALL	CALL	\$495	\$693	\$542	\$588
36mm	M20 x 2.0	\$400	\$562	\$530	CALL	\$501	\$702	\$546	\$592
37mm	TR20 x 2.0	\$410	\$576	\$540	CALL	\$510	\$720	\$554	\$603
40mm	TR20 x 2.0	\$425	\$668	\$555	CALL	\$532	\$836	\$602	\$659
42mm	TR24 x 3.0	\$433	\$657	\$564	CALL	\$543	\$820	\$577	\$640
50mm	TR30 x 3.0	\$498	\$823	\$627	CALL	\$621	\$1,030	\$644	\$720
55mm	TR30 x 3.0	\$549	\$982	\$680	CALL	\$685	\$1,229	\$697	\$797
58mm	TR34 x 4.0	\$569	\$1,018	\$699	CALL	\$710	\$1,273	\$710	\$811
63mm	TR34 x 4.0	\$618	\$1,180	\$748	CALL	\$772	\$1,476	\$776	\$900
65mm	M30 x 2.0	\$563	\$1,047	\$693	CALL	\$703	\$1,309	\$737	\$859
70mm	TR40 x 4.0	\$660	\$1,309	\$790	CALL	\$826	\$1,635	\$790	\$914
72mm	TR40 x 4.0	\$733	\$1,500	\$862	CALL	\$915	\$1,875	\$875	\$1,057
75mm	TR40 x 4.0	\$785	\$1,691	\$917	CALL	\$982	\$2,114	\$932	\$1,118
80mm	TR42 x 4.0	\$858	\$1,968	\$989	CALL	\$1,074	\$2,461	\$1,030	\$1,253
85mm	M46 x 5.0	\$918	\$2,090	\$1,047	CALL	\$1,147	\$2,613	\$1,039	\$1,282

Ring Valve Pricing

Klockner Windsor

Screw Diameter	Thread	Control Flow & Free Flow		Carbide Inserts		Locking Style		4 Piece	
		H13 Nitrided	CPM 9V	Control Flow	Free Flow	H13 Nitrided	CPM 9V	H13 Nitrided	CPM 9V
18mm	M10 x 1.0	\$339	\$413	CALL	CALL	\$425	\$515	CALL	CALL
34mm	M16 x 2.0	\$381	\$497	CALL	CALL	\$476	\$620	CALL	CALL
40mm	M20 x 2.5	\$424	\$621	\$554	CALL	\$530	\$777	\$586	\$646
42mm	M20 x 2.5	\$433	\$641	\$564	CALL	\$543	\$801	\$592	\$653
50mm	M20 x 2.5	\$502	\$800	\$632	CALL	\$627	\$998	\$657	\$736
60mm	M30 x 3.5	\$566	\$1,036	\$696	CALL	\$707	\$1,295	\$748	\$865
70mm	M36 x 3.0	\$655	\$1,284	\$785	CALL	\$819	\$1,604	\$841	\$989
80mm	M48 x 4.0	\$879	\$1,957	\$1,009	CALL	\$1,097	\$2,444	\$993	\$1,221
90mm	M48 x 4.0	\$1,035	\$2,397	\$1,165	CALL	\$1,292	\$2,995	\$1,113	\$1,391
100mm	M60 x 4.0	\$1,106	\$2,799	\$1,271	CALL	\$1,383	\$3,500	\$1,256	\$1,639
120mm	M72 x 4.0	\$1,769	\$4,657	\$1,936	CALL	\$2,211	\$5,820	\$1,678	\$2,240
130mm	M76 x 4.0	\$2,120	\$5,886	\$2,287	CALL	\$2,652	\$7,358	\$1,970	\$2,694
150mm	M80 x 4.0	\$2,890	\$8,424	\$3,055	CALL	\$3,610	\$10,530	\$2,540	\$3,584

Krauss Maffei

Screw Diameter	Thread	Control Flow & Free Flow		Carbide Inserts		Locking Style		4 Piece	
		H13 Nitrided	CPM 9V	Control Flow	Free Flow	H13 Nitrided	CPM 9V	H13 Nitrided	CPM 9V
25mm	M12 x 1.75	\$339	\$413	CALL	CALL	\$425	\$515	CALL	CALL
35mm	M16 x 2.0	\$398	\$563	CALL	CALL	\$497	\$703	\$542	\$582
40mm	M20 x 2.5	\$419	\$598	\$549	CALL	\$521	\$749	\$556	\$603
45mm	M24 x 3.0	\$450	\$696	\$579	CALL	\$559	\$870	\$590	\$645
55mm	M35 x 3.5	\$558	\$1,037	\$724	CALL	\$706	\$1,326	\$711	\$815
60mm	M33 x 3.5	\$594	\$1,158	\$724	CALL	\$744	\$1,447	\$745	\$857
65mm	M33 x 3.0	\$629	\$1,230	\$761	CALL	\$788	\$1,537	\$771	\$888
70mm	1½" - 6	\$699	\$1,457	\$829	CALL	\$874	\$1,821	\$841	\$982
80mm	M42 x 4.5	\$857	\$2,016	\$988	CALL	\$1,073	\$2,521	\$998	\$1,204
90mm	M48 x 5.0	\$1,104	\$3,010	\$1,232	CALL	\$1,378	\$3,761	\$1,247	\$1,572
100mm	M53 x 3.0	\$1,195	\$3,059	\$1,360	CALL	\$1,492	\$3,826	\$1,291	\$1,632
114mm	TR55 x 4.0	\$1,581	\$4,490	\$1,746	CALL	\$1,975	\$5,613	\$1,633	\$2,100
115mm	TR60 x 3.0	\$1,595	\$4,528	\$1,763	CALL	\$1,994	\$5,660	\$1,643	\$2,113
128mm		\$2,120	\$6,536	\$2,287	CALL	\$2,652	\$8,169	\$2,098	\$2,790
130mm	TR75 x 4.0	\$2,120	\$6,536	\$2,287	CALL	\$2,652	\$8,169	\$2,098	\$2,790
135mm	TR75 x 4.0	\$2,412	\$7,543	\$2,595	CALL	\$2,971	\$9,425	\$2,326	\$3,129
146mm	TR80 x 10	\$2,696	\$8,527	\$2,861	CALL	\$3,370	\$10,661	\$2,553	\$3,444

Mitsubishi

Screw Diameter	Thread	Control Flow & Free Flow		Carbide Inserts		Locking Style		4 Piece	
		H13 Nitrided	CPM 9V	Control Flow	Free Flow	H13 Nitrided	CPM 9V	H13 Nitrided	CPM 9V
28mm	M16 x 2.0	\$352	\$451	CALL	CALL	\$439	\$563	CALL	CALL
32mm	M16 x 2.0	\$384	\$510	CALL	CALL	\$478	\$637	CALL	CALL
50mm	M27 x 3.0	\$519	\$883	\$650	CALL	\$650	\$1,104	\$659	\$737
57mm	M33 x 3.5	CALL	CALL	CALL	CALL	CALL	CALL	CALL	CALL
62mm	M36 x 4.0	\$659	\$1,303	\$789	CALL	\$824	\$1,628	\$800	\$918
70mm	M39 x 4.0	\$766	\$1,611	\$896	CALL	\$957	\$2,012	\$892	\$1,041
80mm	M45 x 4.5	\$953	\$2,245	\$1,083	CALL	\$1,192	\$2,807	\$1,074	\$1,290
90mm	M48 x 5.0	\$1,132	\$2,772	\$1,264	CALL	\$1,417	\$3,466	\$1,221	\$1,482
105mm	M56 x 5.5	\$1,222	\$3,160	\$1,388	CALL	\$1,526	\$3,949	\$1,344	\$1,726
120mm	M60 x 5.5	\$1,609	\$4,579	\$1,776	CALL	\$2,011	\$5,724	\$1,694	\$2,210
135mm	M68 x 3.0	\$2,042	\$6,102	\$2,207	CALL	\$2,552	\$7,628	\$2,076	\$2,824
150mm	M76 x 6.0	\$2,535	\$7,831	\$2,699	CALL	\$3,166	\$9,793	\$2,510	\$3,520

Ring Valve Pricing

MIR

Screw Diameter	Thread	Control Flow & Free Flow		Carbide Inserts		Locking Style		4 Piece	
		H13 Nitrided	CPM® 9V®	Control Flow	Free Flow	H13 Nitrided	CPM 9V	H13 Nitrided	CPM 9V
50mm		CALL	CALL	CALL	CALL	CALL	CALL	CALL	CALL
100mm		CALL	CALL	CALL	CALL	CALL	CALL	CALL	CALL

Natco

Screw Diameter	Thread	Control Flow & Free Flow		Carbide Inserts		Locking Style		4 Piece	
		H13 Nitrided	CPM 9V	Control Flow	Free Flow	H13 Nitrided	CPM 9V	H13 Nitrided	CPM 9V
1 7/8"	1 1/8" - 7	\$475	\$741	\$606	CALL	\$593	\$927	\$641	\$707
2 1/4"	1 1/2" - 6	\$549	\$923	\$680	CALL	\$668	\$1,178	\$719	\$805
2 1/2"	1 1/2" - 6	\$551	\$972	\$683	CALL	\$1,063	\$2,539	\$723	\$816
3 1/4"	2" - 8	\$878	\$2,093	\$1,008	CALL	\$1,699	\$4,776	\$993	\$1,209
4 1/4"	2 1/4" - 12	\$1,401	\$3,939	\$1,533	CALL	\$853	\$1,795	\$1,442	\$1,862
70mm	1 1/8" - 6	\$703	\$1,482	\$835	CALL	\$1,236	\$3,063	\$904	\$1,053
90mm	1 1/2" - 6	\$1,019	\$2,526	\$1,151	CALL	\$1,678	\$4,707	\$1,244	\$1,505
105mm	1 3/4" - 6	\$1,386	\$3,881	\$1,551	CALL	\$2,124	\$6,197	\$1,624	\$2,042
120mm	2" - 6	\$1,751	\$5,110	\$1,919	CALL	\$2,552	\$7,302	\$1,881	\$2,348
135mm	2 1/4" - 6	\$2,103	\$6,022	\$2,271	CALL	\$2,630	\$7,527	\$2,278	\$2,977

Negri Bossi

Screw Diameter	Thread	Control Flow & Free Flow		Carbide Inserts		Locking Style		4 Piece	
		H13 Nitrided	CPM 9V	Control Flow	Free Flow	H13 Nitrided	CPM 9V	H13 Nitrided	CPM 9V
26mm	M10 x 1.5	\$338	\$410	CALL	CALL	\$424	\$510	CALL	CALL
38mm	M16 x 1.5	\$404	\$559	\$534	CALL	\$507	\$701	\$559	\$610
45mm	M22 x 2.0	\$452	\$676	\$581	CALL	\$564	\$846	\$616	\$676
50mm	M22 x 2.0	\$494	\$802	\$623	CALL	\$616	\$1,002	\$671	\$749
55mm	M24 x 2.0	\$528	\$922	\$658	CALL	\$659	\$1,152	\$727	\$822
60mm	M26 x 2.0	\$559	\$993	\$690	CALL	\$701	\$1,240	\$758	\$875
70mm	M26 x 2.0	\$676	\$1,360	\$807	CALL	\$846	\$1,699	\$905	\$1,054
85mm	M36 x 2.0	\$880	\$2,006	\$1,010	CALL	\$1,100	\$2,506	\$1,148	\$1,401
100mm	M60 x 5.5	\$1,113	\$2,769	\$1,256	CALL	\$1,388	\$3,457	\$1,281	\$1,621

Netstal

Screw Diameter	Thread	Control Flow & Free Flow		Carbide Inserts		Locking Style		4 Piece	
		H13 Nitrided	CPM 9V	Control Flow	Free Flow	H13 Nitrided	CPM 9V	H13 Nitrided	CPM 9V
28mm	M16 x 1.5	\$350	\$443	CALL	CALL	\$437	\$555	CALL	CALL
40mm	M18 x 2.5	\$417	\$584	\$547	CALL	\$520	\$732	\$571	\$620
55mm	M24 x 3.0	\$542	\$897	\$671	CALL	\$676	\$1,122	\$732	\$826
70mm	M26 x 2.0	\$650	\$1,227	\$780	CALL	\$813	\$1,534	\$879	\$1,030
80mm	M28 x 2.0	\$753	\$1,676	\$885	CALL	\$941	\$2,093	\$961	\$1,169
90mm	M32 x 2.0	\$944	\$2,196	\$1,083	CALL	\$1,180	\$2,743	\$1,110	\$1,364
100mm		\$1,101	\$2,757	\$1,244	CALL	\$1,377	\$3,446	\$1,270	\$1,611
110mm		\$1,486	\$3,912	\$1,637	CALL	\$1,856	\$4,889	\$1,745	\$2,187
125mm		\$1,619	\$4,378	\$1,773	CALL	\$2,022	\$5,470	\$1,881	\$2,380

Need something custom? Click here for our Ring Valve Order Form!

Ring Valve Pricing

New Britain

Screw Diameter	Thread	Control Flow & Free Flow		Carbide Inserts		Locking Style		4 Piece	
		H13 Nitrided	CPM® 9V®	Control Flow	Free Flow	H13 Nitrided	CPM 9V	H13 Nitrided	CPM 9V
1 3/8"	9/16" - 18	\$382	\$515	CALL	CALL	\$477	\$645	\$534	\$581
1 1/2"	3/4" - 16	\$390	\$529	\$520	CALL	\$489	\$662	\$542	\$588
1 5/8"	3/4" - 16	\$450	\$640	\$579	CALL	\$559	\$798	\$573	\$620
1 3/4"	3/4" - 16	\$464	\$655	\$594	CALL	\$581	\$819	\$582	\$632
2"	1" - 8	\$515	\$816	\$646	CALL	\$645	\$1,021	\$647	\$724
2 1/8"	1" - 8	\$540	\$905	\$668	CALL	\$672	\$1,132	\$689	\$785
2 5/16"	1" - 8	\$572	\$953	\$702	CALL	\$714	\$1,192	\$712	\$813
2 1/2"	1 1/4" - 8	\$637	\$1,151	\$767	CALL	\$797	\$1,437	\$759	\$880
2 3/4"	1 3/8" - 8	\$705	\$1,349	\$836	CALL	\$881	\$1,686	\$844	\$996
3 1/4"	1 1/2" - 8	\$927	\$1,973	\$1,057	CALL	\$1,158	\$2,467	\$1,019	\$1,248
3 1/2"	1 3/4" - 8	\$1,017	\$2,283	\$1,148	CALL	\$1,271	\$2,855	\$1,119	\$1,394
4 1/4"	2" - 8	\$1,434	\$3,593	\$1,599	CALL	\$1,791	\$4,490	\$1,489	\$1,936
30mm	M18 x 2.5	\$364	\$462	CALL	CALL	\$456	\$577	CALL	CALL
35mm	9/16" - 18	\$387	\$502	CALL	CALL	\$485	\$627	\$511	\$558
36mm	TR20 x 3.0	\$391	\$559	\$521	CALL	\$490	\$701	\$533	\$575
42mm	TR27 x 3.0	\$420	\$629	\$550	CALL	\$525	\$788	\$545	\$590
45mm	3/4" - 10	\$430	\$634	\$562	CALL	\$540	\$790	\$593	\$646
55mm	TR35 x 3.0	\$478	\$766	\$610	CALL	\$598	\$957	\$603	\$673
58mm	M35 x 3.0	\$494	\$789	\$623	CALL	\$616	\$988	\$611	\$684
65mm	TR40 x 3.0	\$610	\$1,174	\$740	CALL	\$762	\$1,468	\$705	\$790
70mm	TR40 x 3.0	\$664	\$1,360	\$797	CALL	\$833	\$1,699	\$748	\$837
82mm	TR47 x 3.0	\$884	\$2,115	\$1,014	CALL	\$1,105	\$2,643	\$1,002	\$1,200
89mm	1 3/4" - 8	\$1,008	\$2,525	\$1,136	CALL	\$1,260	\$3,156	\$1,109	\$1,344
100mm	TR50 x 3.0	\$1,253	\$3,418	\$1,420	CALL	\$1,565	\$4,272	\$1,325	\$1,650

Newbury

Screw Diameter	Thread	Control Flow & Free Flow		Carbide Inserts		Locking Style		4 Piece	
		H13 Nitrided	CPM 9V	Control Flow	Free Flow	H13 Nitrided	CPM 9V	H13 Nitrided	CPM 9V
1"	1/2" - 13	\$334	\$403	CALL	CALL	\$419	\$506	CALL	CALL
1 1/4"	5/8" - 11	\$369	\$469	CALL	CALL	\$462	\$588	CALL	CALL
1 3/8"	5/8" - 11	\$382	\$514	CALL	CALL	\$477	\$642	\$533	\$577
1 1/2"	3/4" - 10	\$419	\$589	\$549	CALL	\$521	\$736	\$564	\$614
1 3/4"	7/8" - 9	\$426	\$620	\$556	CALL	\$533	\$776	\$579	\$636
2"	1" - 8	\$459	\$699	\$589	CALL	\$575	\$874	\$616	\$683
2 1/4"	1" - 8	\$507	\$816	\$637	CALL	\$632	\$1,021	\$680	\$751
2 1/2"	1" - 8	\$584	\$1,039	\$711	CALL	\$727	\$1,299	\$767	\$880
3 1/2"	1 1/2" - 12	\$876	\$1,903	\$1,010	CALL	\$1,091	\$2,374	\$1,136	\$1,366
3 1/4"	1 1/2" - 8	\$927	\$1,973	\$1,057	CALL	\$1,158	\$2,467	\$1,019	\$1,248
3 1/2"	1 3/4" - 8	\$1,017	\$2,283	\$1,148	CALL	\$1,271	\$2,855	\$1,119	\$1,394

Ring Valve Pricing

Niigata

Screw Diameter	Thread	Control Flow & Free Flow		Carbide Inserts		Locking Style		4 Piece	
		H13 Nitrided	CPM 9V	Control Flow	Free Flow	H13 Nitrided	CPM 9V	H13 Nitrided	CPM 9V
25mm	M12 x 1.0	\$351	\$428	CALL	CALL	\$452	\$550	CALL	CALL
30mm	M16 x 1.5	\$381	\$494	CALL	CALL	\$490	\$637	CALL	CALL
35mm	M18 x 2.5	\$391	\$533	CALL	CALL	\$504	\$686	\$538	\$584
40mm	M20 x 2.5	\$417	\$589	\$547	CALL	\$538	\$759	\$569	\$627
45mm	M24 x 3.0	\$452	\$668	\$582	CALL	\$582	\$859	\$602	\$663
52mm	M27 x 3.0	\$502	\$800	\$632	CALL	\$647	\$1,030	\$653	\$733
60mm	M33 x 3.0	\$576	\$998	\$706	CALL	\$741	\$1,286	\$732	\$852
68mm	M36 x 3.0	\$676	\$1,321	\$807	CALL	\$872	\$1,700	\$850	\$1,000
75mm	M42 x 3.0	\$764	\$1,581	\$894	CALL	\$983	\$2,037	\$941	\$1,126
76mm	M42 x 3.0	\$711	\$1,453	\$841	CALL	\$917	\$1,871	\$891	\$1,078
82mm	M48 x 3.0	\$789	\$1,703	\$920	CALL	\$1,018	\$2,196	\$974	\$1,200
90mm	M48 x 3.0	\$953	\$2,204	\$1,092	CALL	\$1,190	\$2,752	\$1,118	\$1,372

Nissei

Screw Diameter	Thread	Control Flow & Free Flow		Carbide Inserts		Locking Style		4 Piece	
		H13 Nitrided	CPM 9V	Control Flow	Free Flow	H13 Nitrided	CPM 9V	H13 Nitrided	CPM 9V
19mm	M10 x 1.5	\$322	\$381	CALL	CALL	\$402	\$476	CALL	CALL
22mm	TR12 x 2.0	\$330	\$395	CALL	CALL	\$413	\$495	CALL	CALL
28mm	TR14 x 2.0	\$350	\$428	CALL	CALL	\$437	\$534	CALL	CALL
30mm	TR16 x 2.0	\$360	\$456	CALL	CALL	\$451	\$571	CALL	CALL
32mm	TR18 x 2.0	\$369	\$480	CALL	CALL	\$462	\$602	\$507	\$543
36mm	TR20 x 2.0	\$399	\$559	\$529	CALL	\$499	\$701	\$542	\$588
38mm	TR28 x 3.0	\$403	\$563	\$533	CALL	\$506	\$703	\$540	\$579
40mm	TR24 x 3.0	\$432	\$628	\$563	CALL	\$541	\$787	\$566	\$624
44mm	TR24 x 3.0	\$464	\$719	\$594	CALL	\$581	\$898	\$598	\$660
45mm	TR26 x 3.0	\$463	\$718	\$593	CALL	\$579	\$897	\$605	\$664
48mm	TR28 x 3.0	\$481	\$762	\$612	CALL	\$603	\$953	\$618	\$696
50mm	TR28 x 3.0	\$498	\$827	\$627	CALL	\$621	\$1,035	\$645	\$723
54mm	M30 x 1.5	\$562	\$1,021	\$692	CALL	\$702	\$1,277	\$694	\$781
56mm	TR32 x 3.0	\$554	\$976	\$685	CALL	\$693	\$1,222	\$697	\$797
63mm	TR36 x 3.0	\$628	\$1,206	\$759	CALL	\$787	\$1,508	\$775	\$898
64mm	TR40 x 3.0	\$637	\$1,223	\$767	CALL	\$797	\$1,528	\$779	\$904
71mm	TR44 x 3.0	\$709	\$1,440	\$840	CALL	\$885	\$1,802	\$829	\$978
72mm	TR44 x 3.0	\$723	\$1,487	\$853	CALL	\$904	\$1,859	\$844	\$1,017
75mm	M42 x 2.0	\$711	\$1,508	\$842	CALL	\$889	\$1,886	\$857	\$1,009
80mm	TR48 x 3.0	\$846	\$1,867	\$976	CALL	\$1,058	\$2,335	\$946	\$1,130
84mm	TR52 x 3.0	\$894	\$1,981	\$1,024	CALL	\$1,117	\$2,477	\$980	\$1,196
90mm	TR55 x 3.0	\$995	\$2,285	\$1,125	CALL	\$1,242	\$2,857	\$1,062	\$1,282
100mm	TR65 x 3.0	\$1,149	\$2,872	\$1,314	CALL	\$1,435	\$3,592	\$1,148	\$1,400

Need something custom? Click here for our Ring Valve Order Form!

Ring Valve Pricing

Sandretto

Screw Diameter	Thread	Control Flow & Free Flow		Carbide Inserts		Locking Style		4 Piece	
		H13 Nitrided	CPM® 9V®	Control Flow	Free Flow	H13 Nitrided	CPM 9V	H13 Nitrided	CPM 9V
40mm	M18 x 2.5	\$412	\$576	\$542	CALL	\$514	\$720	\$546	\$606
45mm	M20 x 2.5	\$443	\$660	\$575	CALL	\$555	\$826	\$580	\$645
50mm	M24 x 3.0	\$485	\$811	\$615	CALL	\$607	\$1,014	\$647	\$722
55mm	M27 x 3.0	\$532	\$967	\$662	CALL	\$664	\$1,208	\$703	\$797
60mm	M30 x 3.5	\$588	\$1,151	\$718	CALL	\$735	\$1,437	\$766	\$880
65mm	M30 x 3.5	\$634	\$1,232	\$764	CALL	\$790	\$1,541	\$822	\$945
70mm	M33 x 3.5	\$696	\$1,431	\$826	CALL	\$870	\$1,788	\$891	\$1,018
75mm	M33 x 3.5	\$770	\$1,686	\$900	CALL	\$963	\$2,106	\$974	\$1,128
80mm	M36 x 4.0	\$852	\$1,975	\$982	CALL	\$1,066	\$2,469	\$1,066	\$1,248
90mm	M39 x 4.0	\$996	\$2,405	\$1,126	CALL	\$1,244	\$3,008	\$1,203	\$1,422
105mm	M42 x 4.5	\$1,459	\$3,870	\$1,595	CALL	\$1,828	\$4,863	\$1,716	\$2,158
120mm	M48 x 5.0	\$1,619	\$4,378	\$1,773	CALL	\$2,022	\$5,470	\$1,881	\$2,380

Sumitomo

Screw Diameter	Thread	Control Flow & Free Flow		Carbide Inserts		Locking Style		4 Piece	
		H13 Nitrided	CPM 9V	Control Flow	Free Flow	H13 Nitrided	CPM 9V	H13 Nitrided	CPM 9V
18mm	M9 x 1.0	\$315	\$372	CALL	CALL	\$393	\$464	CALL	CALL
20mm	M10 x 1.25	\$319	\$381	CALL	CALL	\$398	\$476	CALL	CALL
22mm	M10 x 1.25	\$324	\$389	CALL	CALL	\$404	\$488	CALL	CALL
25mm	M12 x 1.5	\$333	\$402	CALL	CALL	\$416	\$502	CALL	CALL
28mm	M12 x 1.5	\$343	\$423	CALL	CALL	\$428	\$528	CALL	CALL
32mm	M16 x 1.5	\$360	\$465	CALL	CALL	\$451	\$582	CALL	CALL
36mm	M16 x 1.5	\$384	\$537	\$514	CALL	\$478	\$671	\$534	\$581
40mm	M20 x 2.0	\$399	\$563	\$529	CALL	\$499	\$703	\$546	\$593
45mm	M20 x 2.0	\$432	\$662	\$563	CALL	\$541	\$827	\$589	\$649
50mm	M24 x 2.0	\$472	\$784	\$603	CALL	\$589	\$979	\$637	\$710
56mm	M24 x 2.0	\$520	\$941	\$651	CALL	\$651	\$1,177	\$696	\$788
63mm	M33 x 3.0	\$579	\$1,127	\$709	CALL	\$723	\$1,408	\$758	\$874
71mm	M33 x 3.0	\$662	\$1,396	\$792	CALL	\$827	\$1,746	\$850	\$993
80mm	M40 x 3.0	\$775	\$1,772	\$904	CALL	\$967	\$2,213	\$972	\$1,175
90mm		\$931	\$2,335	\$1,061	CALL	\$1,164	\$2,919	\$1,135	\$1,386
100mm		\$1,132	\$3,121	\$1,300	CALL	\$1,417	\$3,901	\$1,353	\$1,694
112mm		\$1,403	\$4,155	\$1,570	CALL	\$1,754	\$5,194	\$1,626	\$2,087
90mm		\$944	\$2,196	\$1,083	CALL	\$1,180	\$2,743	\$1,110	\$1,364
100mm		\$1,101	\$2,757	\$1,244	CALL	\$1,377	\$3,446	\$1,270	\$1,611
110mm		\$1,486	\$3,912	\$1,637	CALL	\$1,856	\$4,889	\$1,745	\$2,187
125mm		\$1,619	\$4,378	\$1,773	CALL	\$2,022	\$5,470	\$1,881	\$2,380

Need something custom? Click here for our Ring Valve Order Form!

Ring Valve Pricing

Toshiba

Screw Diameter	Thread	Control Flow & Free Flow		Carbide Inserts		Locking Style		4 Piece	
		H13 Nitrided	CPM 9V	Control Flow	Free Flow	H13 Nitrided	CPM 9V	H13 Nitrided	CPM 9V
25mm	M12 x 1.5	\$333	\$402	CALL	CALL	\$416	\$502	CALL	CALL
28mm	M15 x 1.5	\$343	\$423	CALL	CALL	\$428	\$528	CALL	CALL
32mm	M18 x 2.0	\$361	\$463	CALL	CALL	\$452	\$579	\$501	\$534
36mm	M22 x 2.0	\$395	\$575	\$527	CALL	\$495	\$719	\$532	\$576
40mm	M22 x 2.0	\$419	\$615	\$549	CALL	\$521	\$770	\$558	\$612
45mm	M26 x 1.5	\$452	\$718	\$581	CALL	\$564	\$897	\$589	\$649
50mm	M28 x 2.0	\$469	\$753	\$602	CALL	\$588	\$941	\$619	\$692
55mm	M28 x 2.0	\$543	\$1,014	\$672	CALL	\$679	\$1,268	\$703	\$792
60mm	M28 x 2.0	\$603	\$1,199	\$733	CALL	\$751	\$1,498	\$780	\$888
70mm	M36 x 3.0	\$720	\$1,564	\$850	CALL	\$901	\$1,957	\$880	\$1,018
75mm	M40 x 2.0	\$802	\$1,858	\$932	CALL	\$1,002	\$2,322	\$963	\$1,128
80mm	M42 x 3.0	\$879	\$2,103	\$1,009	CALL	\$1,097	\$2,630	\$391	\$1,214
85mm	M42 x 3.0	\$972	\$2,477	\$1,104	CALL	\$1,214	\$3,095	\$1,154	\$1,401
90mm	M45 x 4.0	\$894	\$1,797	\$1,024	CALL	\$1,117	\$2,248	\$976	\$1,199
95mm	M45 x 4.0	\$1,128	\$2,917	\$1,260	CALL	\$1,409	\$3,647	\$1,213	\$1,474
100mm	M50 x 4.0	\$1,502	\$3,938	\$1,668	CALL	\$1,879	\$4,922	\$1,530	\$1,895
105mm	M50 x 4.0	\$1,619	\$4,212	\$1,784	CALL	\$2,022	\$5,264	\$1,619	\$2,045
115mm	M60 x 4.0	\$1,910	\$5,052	\$2,076	CALL	\$2,387	\$6,314	\$1,837	\$2,339
120mm	M60 x 4.0	\$2,183	\$6,180	\$2,349	CALL	\$2,730	\$7,726	\$2,079	\$2,656
125mm	M64 x 4.0	\$2,406	\$6,990	\$2,574	CALL	\$3,010	\$8,739	\$2,261	\$2,917
140mm	M64 x 4.0	\$3,050	CALL	\$3,224	CALL	\$3,813	CALL	\$2,673	CALL

Toyo

Screw Diameter	Thread	Control Flow & Free Flow		Carbide Inserts		Locking Style		4 Piece	
		H13 Nitrided	CPM 9V	Control Flow	Free Flow	H13 Nitrided	CPM 9V	H13 Nitrided	CPM 9V
20mm	M10 x 1.25	CALL	CALL	CALL	CALL	CALL	CALL	CALL	CALL
24mm	M12 x 1.5	\$339	\$413	CALL	CALL	\$425	\$515	CALL	CALL
28mm	M16 x 2.0	\$361	\$467	CALL	CALL	\$452	\$584	CALL	CALL
30mm	M18 x 2.5	CALL	CALL	CALL	CALL	CALL	CALL	CALL	CALL
32mm	M18 x 2.5	\$378	\$501	CALL	CALL	\$472	\$625	\$512	\$550
36mm	M18 x 2.5	\$399	\$563	\$529	CALL	\$499	\$703	\$546	\$592
40mm	M22 x 2.5	\$424	\$616	\$554	CALL	\$530	\$771	\$562	\$620
46mm	M24 x 3.0	\$459	\$720	\$589	CALL	\$575	\$901	\$607	\$676
50mm	M27 x 3.0	\$529	\$898	\$659	CALL	\$662	\$1,123	\$663	\$744
55mm	M27 x 3.0	\$588	\$1,078	\$718	CALL	\$735	\$1,347	\$724	\$823
60mm	M30 x 3.0	\$655	\$1,257	\$785	CALL	\$819	\$1,572	\$790	\$902
68mm	M33 x 3.5	\$774	\$1,563	\$902	CALL	\$966	\$1,955	\$901	\$1,044
75mm	M36 x 4.0	\$848	\$1,829	\$978	CALL	\$1,060	\$2,287	\$997	\$1,177
83mm	M38 x 4.0	\$1,001	\$2,249	\$1,131	CALL	\$1,252	\$2,813	\$1,130	\$1,351

Ring Valve Pricing

Trubor

Screw Diameter	Thread	Control Flow & Free Flow		Carbide Inserts		Locking Style		4 Piece	
		H13 Nitrided	CPM® 9V®	Control Flow	Free Flow	H13 Nitrided	CPM 9V	H13 Nitrided	CPM 9V
25mm	1/2" - 13	\$338	\$417	CALL	CALL	\$424	\$520	\$477	\$508
28mm	1/2" - 13	\$346	\$426	CALL	CALL	\$432	\$533	\$485	\$519
31mm	5/8" - 11	\$381	\$506	CALL	CALL	\$476	\$631	\$520	\$559
35mm	5/8" - 11	\$393	\$554	CALL	CALL	\$493	\$693	\$546	\$592
38mm	3/4" - 10	\$390	\$551	\$520	CALL	\$489	\$689	\$533	\$582
41mm	3/4" - 10	\$425	\$657	\$555	CALL	\$532	\$820	\$580	\$644

Trueblood

Screw Diameter	Thread	Control Flow & Free Flow		Carbide Inserts		Locking Style		4 Piece	
		H13 Nitrided	CPM 9V	Control Flow	Free Flow	H13 Nitrided	CPM 9V	H13 Nitrided	CPM 9V
1"	1/2" - 13	\$334	\$403	CALL	CALL	\$419	\$506	CALL	CALL
1 1/4"	5/8" - 11	\$361	\$459	CALL	CALL	\$452	\$575	CALL	CALL
1 3/8"	5/8" - 11	\$381	\$511	CALL	CALL	\$476	\$640	\$529	\$573
1 1/2"	5/8" - 11	\$382	\$507	\$512	CALL	\$477	\$632	\$540	\$584
1 3/4"	3/4" - 10	\$416	\$592	\$546	CALL	\$519	\$740	\$584	\$642
2"	7/8" - 9	\$456	\$680	\$586	CALL	\$571	\$848	\$620	\$686
2 1/4"	7/8" - 9	\$476	\$749	\$607	CALL	\$594	\$937	\$663	\$736
2 1/2"	1 1/8" - 7	\$519	\$876	\$650	CALL	\$650	\$1,095	\$723	\$807

Van Dorn Demag

Screw Diameter	Thread	Control Flow & Free Flow		Carbide Inserts		Locking Style		4 Piece	
		H13 Nitrided	CPM 9V	Control Flow	Free Flow	H13 Nitrided	CPM 9V	H13 Nitrided	CPM 9V
25mm	M12 x 1.75	\$342	\$420	CALL	CALL	\$426	\$525	CALL	CALL
30mm	5/8" - 11	\$380	\$501	CALL	CALL	\$475	\$625	CALL	CALL
35mm	3/4" - 10	\$395	\$547	CALL	CALL	\$495	\$684	\$532	\$580
38mm	3/4" - 10	\$404	\$573	\$528	CALL	\$507	\$715	\$546	\$594
40mm	3/4" - 10	\$417	\$592	\$541	CALL	\$520	\$740	\$562	\$611
50mm	1" - 8	\$542	\$897	\$668	CALL	\$676	\$1,122	\$668	\$745
57mm	1 1/4" - 7	\$584	\$1,050	\$712	CALL	\$732	\$1,314	\$714	\$811
65mm	1 3/8" - 6	\$612	\$1,177	\$741	CALL	\$766	\$1,472	\$764	\$885
69mm	1 3/8" - 6	\$736	\$1,503	\$868	CALL	\$919	\$1,880	\$868	\$1,014
75mm	1 3/8" - 6	\$779	\$1,699	\$911	CALL	\$972	\$2,124	\$961	\$1,130
80mm	1 3/8" - 6	\$878	\$1,999	\$1,013	CALL	\$1,096	\$2,499	\$1,044	\$1,253
90mm	1 3/4" - 8	\$949	\$2,254	\$1,086	CALL	\$1,187	\$2,820	\$1,130	\$1,378
105mm	1 3/4" - 8	\$1,279	\$3,458	\$1,426	CALL	\$1,599	\$4,324	\$1,538	\$1,959
115mm	2" - 8	\$1,321	\$3,588	\$1,466	CALL	\$1,652	\$4,485	\$1,632	\$2,088
135mm	2 1/2" - 8	\$1,866	\$5,615	\$2,027	CALL	\$2,332	\$7,017	\$2,176	\$2,991
155mm	3 1/4" - 4	\$2,679	\$8,798	\$2,867	CALL	\$3,351	\$10,998	\$2,769	\$4,009
165mm	M75 x 4.0	CALL	CALL	CALL	CALL	CALL	CALL	CALL	CALL
180mm	3 1/4" - 4	CALL	CALL	CALL	CALL	CALL	CALL	CALL	CALL
185mm	M85 x 4.0	CALL	CALL	CALL	CALL	CALL	CALL	CALL	CALL

Ring Valve Pricing

Welltec

Screw Diameter	Thread	Control Flow & Free Flow		Carbide Inserts		Locking Style		4 Piece	
		H13 Nitrided	CPM 9V	Control Flow	Free Flow	H13 Nitrided	CPM 9V	H13 Nitrided	CPM 9V
43mm	M20 x 2.5	\$452	\$702	\$581	CALL	\$564	\$878	\$611	\$671
45mm	M20 x 2.5	\$432	\$636	\$556	CALL	\$541	\$794	\$580	\$641
50mm	M24 x 2.0	\$468	\$766	\$593	CALL	\$586	\$957	\$644	\$715
55mm		\$516	\$898	\$645	CALL	\$646	\$1,123	\$693	\$789
56mm		\$572	\$1,047	\$702	CALL	\$714	\$1,309	\$744	\$842
60mm	M27 x 3.0	\$586	\$1,031	\$715	CALL	\$733	\$1,288	\$761	\$881
65mm	M27 x 3.0	\$628	\$1,182	\$759	CALL	\$787	\$1,477	\$840	\$961
70mm		\$659	\$1,320	\$790	CALL	\$824	\$1,650	\$840	\$988
75mm	M36 x 4.0	\$707	\$1,498	\$840	CALL	\$884	\$1,872	\$900	\$1,079
80mm		\$867	\$2,054	\$997	CALL	\$1,083	\$2,568	\$1,083	\$1,301
90mm	M42 x 3.0	\$944	\$2,196	\$1,083	CALL	\$1,180	\$2,743	\$1,110	\$1,364
100mm		\$1,101	\$2,757	\$1,244	CALL	\$1,377	\$3,446	\$1,270	\$1,611
110mm		\$1,486	\$3,912	1,167	CALL	\$1,856	\$4,889	\$1,745	\$2,187
115mm	M56 x 3.0	\$1,474	\$4,021	1,169	CALL	\$1,843	\$5,026	\$1,678	\$2,181
125mm		\$1,619	\$4,378	1,263	CALL	\$2,022	\$5,470	\$1,881	\$2,380

Need something custom? Click here for our Ring Valve Order Form!

A note about Legacy Machines. . .

As a supplier to the plastics industry since 1968, EMI has an extensive knowledge of components you may consider "difficult to find" elsewhere. If your company still operates some vintage equipment, give us a call! We may be able to offer assistance on the following makes:

- Beloit
- Egan
- Farrel
- Fellows
- Impco
- Jaco
- Lester
- Lombard
- Reed
- Stubbe
- TMC

Ball Checks

Front Discharge



This check valve offers the best all-around precision shot control available. Year after year, molders have preferred EMI's ball check because of its dependability and consistency. It includes a low cost, removable ball check insert that's interchangeable for various compressions and recovery rates. These are just three reasons why molders prefer the Front Discharge ball check when running non-shear-sensitive, general purpose materials.

Standard: 4150 pre-treated steel.
Optional: 440C stainless steel or CPM® 9V® tool steel.
Inserts available in S-7 tool steel.

Hi-Flow



Hi-Flow ball checks are ideal for high speed molding of general purpose materials which normally require a ring valve. These ball checks include extra large inlets and flow paths to dramatically increase melt flow while cutting compression ratios down to 1.5:1. Recovery times are cut without sacrificing precision shot control. Included: EMI's exclusive, low cost, removable ball check insert which is interchangeable for various compressions and recovery rates.

Standard: 4150 pre-treated steel.
Optional: 440C stainless steel or CPM 9V tool steel.
Inserts available in S-7 tool steel.

Side Discharge

This ball check valve gives you excellent shot control, enhanced mixing action, is self-cleaning and purges rapidly via a "washing" action between the nose cone and end cap, making it ideal for fast color changes. Replaceable, low cost ball and ball seat minimize maintenance costs and downtime. Hand seated interfaces ensure a tight seal. This is an ideal valve for general purpose, non-shear-sensitive materials where frequent color changes must be made.

Standard: 4150 pre-treated steel.
Optional: 440C stainless steel or CPM 9V tool steel.



Valve Material Descriptions

Item	Description	Ball Check	Resin
4150 Pretreated	Iron base with chromium and molybdenum for hardenability and abrasion resistance. Furnished in pre-heat-treated state of R/C 32.	Induction hardened seal diameter to R/C 45-55 to 1/4" max. depth on a side.	General purpose materials.
S-7 Tool Steel	Air hardened tool steel having high impact and shock resistant characteristics.	Used as optional material for ball check insert only. Hardened to R/C 48-52.	General purpose materials with fast cycles.
440C Stainless Steel	This grade of stainless steel offers not only good corrosion resistance but also good mechanical properties not offered in other stainless steels.	Hardened to R/C 50-55.	Corrosive materials with low abrasion fillers.
CPM 9V Tool Steel	CPM grade 9V has a hot work steel analysis with a high carbon and vanadium content. This chemistry provides superior wear resistance not offered by any other specialty tool steel. CPM-9V also has exceptional torsional strength required for molding.	Hardened to R/C 54-56. The stud is drawn down to R/C 45-49.	General purpose, engineered and filled materials.
CPM S90V® Stainless Tool Steel	Offers the same high wear resistance and technology as CPM 9V combined with the corrosion resistance of 440C stainless steel.	Hardened to R/C 54-56. The stud is drawn down to R/C 45-49.	General purpose, filled and filled corrosive materials.

Note: CPM, 9V, and S90V are registered trademarks of Crucible Materials Corp.

Ball Check Replacement Inserts

Fluted Check Insert

The special fluted design of EMI's FCI (Fluted Check Insert) stays centered and hits the hole square in situations where the ball in a standard insert may hit one side of the hole before seating inside the insert causing uneven wear and a poor seal. Our standard FCI is constructed from S-7 Tool Steel to provide maximum durability--one customer indicates the original S-7 FCI has been installed for more than a year with no wear inside the insert shell and just a minor indicator ring on the FCI itself.

Our customers have consistently reported decreased recovery times versus a standard ball insert. Also, the pack out of the part is more consistent than before, with no loss of cushion.

Standard Ball Insert



O.D. of Ball Check	4150 Steel (Standard)	High Compression	S-7 Tool Steel	Fluted Insert (S-7 Tool Steel)
1"-2 1/4" (25mm-57mm)	\$190	\$228	\$278	\$306
2 5/16"-4" (58mm-100mm)	\$215	\$294	\$348	\$384
Over 4" (Over 100mm)	\$285	\$363	\$400	\$442

Arburg

Screw Diameter	Thread	Side Discharge	Front Discharge or Hi-Flow	Front Discharge with FCI
15mm	M8 x 1.25 -RH	CALL	CALL	CALL
18mm	M10 x 1.5 -RH	CALL	CALL	CALL
22mm	M12 x 1.75 -RH	CALL	CALL	CALL
25mm	M12 x 1.75 -RH	CALL	CALL	CALL
30mm	M14 x 1.5 -RH	\$571	\$391	\$510
35mm	M18 x 1.5 -RH	\$605	\$417	\$542
40mm	M18 x 1.5 -RH	\$628	\$434	\$566
45mm	M22 x 1.5 -RH	\$671	\$467	\$608
50mm	M24 x 1.5 -RH	\$719	\$504	\$655
60mm	M24 x 1.25 -RH	\$783	\$551	\$715

Autojector

Screw Diameter	Thread	Side Discharge	Front Discharge or Hi-Flow	Front Discharge with FCI
¾"	7/16" - 14	CALL	CALL	CALL
1"	1/2" - 13	CALL	CALL	CALL
1¼"	5/8" - 11	\$582	\$400	\$521
1½"	¾" - 10	\$620	\$429	\$558
1¾"	7/8" - 9	\$670	\$467	\$608
2"	1" - 8	\$741	\$519	\$675
2½"	1¼" - 7	\$857	\$608	\$789



Ball Check Insert Wrenches

Quick#	Part#	Sizing	Price
-	BCW	Call for Sizing	\$62

Battenfeld

Screw Diameter	Thread	Side Discharge	Front Discharge or Hi-Flow	Front Discharge with FCI
18mm	M10 x 1.5	CALL	CALL	CALL
22mm	M12 x 1.5	CALL	CALL	CALL
25mm	M10 x 1.5	CALL	CALL	CALL
30mm	M13 x 1.5	\$579	\$398	\$517
35mm	M16 x 1.5	\$606	\$417	\$542
40mm	M20 x 2.0	\$624	\$432	\$562
45mm	M20 x 2.0	\$653	\$454	\$589
50mm	M24 x 2.0	\$688	\$478	\$621
55mm	M24 x 2.0	\$735	\$514	\$668
60mm	M24 x 2.0	\$813	\$573	\$744
65mm	M24 x 2.0	\$854	\$606	\$785
70mm	M40 x 2.0	\$915	\$650	\$845
75mm	M30 x 3.5	\$972	\$693	\$901
85mm	M30 x 2.0	\$1,104	\$790	\$1,082
90mm	M40 x 2.0	\$1,079	\$774	\$1,005
100mm	M60 x 1.5	\$1,244	\$897	\$1,165
125mm	M60 x 2.5	\$1,723	\$1,256	\$1,630
130mm	M60 x 2.0	\$1,884	\$1,375	\$1,785
140mm	M60 x 2.5	\$2,367	\$1,859	\$2,413
150mm	M65 x 2.5	CALL	CALL	CALL
170mm	M75 x 2.5	CALL	CALL	CALL

Boy

Screw Diameter	Thread	Side Discharge	Front Discharge or Hi-Flow	Front Discharge with FCI
14mm	M8 x 1.5	CALL	CALL	CALL
16mm	M8 x 1.5	CALL	CALL	CALL
18mm	M10 x 1.5	CALL	CALL	CALL
22mm	M10 x 1.5	CALL	CALL	CALL
24mm	M12 x 1.75	CALL	CALL	CALL
28mm	M12 x 1.75	CALL	CALL	CALL
32mm	M14 x 2.0	\$569	\$390	\$507
36mm	M16 x 2.0	\$590	\$408	\$529
38mm	M16 x 2.0	\$590	\$408	\$529
42mm	M16 x 2.0	\$615	\$425	\$553
48mm	M18 x 2.5	\$657	\$458	\$593

A note about Legacy Machines. . .

As a supplier to the plastics industry since 1968, EMI has an extensive knowledge of components you may consider "difficult to find" elsewhere. If your company still operates some vintage equipment, give us a call! We may be able to offer assistance on the following makes:

- Beloit
- Impco
- Reed
- Egan
- Jaco
- Stubbe
- Farrel
- Lester
- TMC
- Fellows
- Lombard

Ball Check Pricing

Cincinnati Milacron

Screw Diameter	Thread	Side Discharge	Front Discharge or Hi-Flow	Front Discharge with FCI
1 $\frac{1}{16}$ "	$\frac{5}{8}$ " - 11	\$588	\$404	\$527
1 $\frac{1}{8}$ "	$\frac{3}{4}$ " - 10	\$616	\$426	\$554
1 $\frac{1}{4}$ "	$\frac{3}{4}$ " - 16 (fine)	\$645	\$447	
1 $\frac{1}{4}$ "	$\frac{7}{8}$ " - 9			\$580
2"	1" - 8	\$675	\$469	\$611
2 $\frac{1}{4}$ "	1" - 8	\$736	\$515	\$670
2 $\frac{1}{2}$ "	1 $\frac{1}{4}$ " - 12 (fine)	\$807	\$571	
2 $\frac{1}{2}$ "	1 $\frac{1}{4}$ " - 7 (coarse)	\$807	\$571	\$740
2 $\frac{3}{4}$ "	1 $\frac{1}{4}$ " - 12 (fine)	\$859	\$610	
2 $\frac{3}{4}$ "	1 $\frac{1}{4}$ " - 7 (coarse)	\$859	\$610	\$790
3 $\frac{1}{4}$ "	1 $\frac{1}{2}$ " - 12 (fine)	\$1,017	\$727	
3 $\frac{1}{4}$ "	1 $\frac{1}{2}$ " - 6 (coarse)	\$1,017	\$727	\$944
3 $\frac{1}{2}$ "	1 $\frac{1}{2}$ " - 12 (fine)	\$1,118	\$803	
3 $\frac{1}{2}$ "	1 $\frac{1}{2}$ " - 6 (coarse)	\$1,118	\$803	\$1,043
3 $\frac{1}{2}$ "	1 $\frac{3}{4}$ " - 6 (coarse)	\$1,118	\$803	
4 $\frac{1}{2}$ "	2" - 12 (fine)	\$1,495	\$1,084	
4 $\frac{1}{2}$ "	2" - 6 (coarse)	\$1,495	\$1,084	\$1,407
5 $\frac{1}{4}$ "	2 $\frac{1}{4}$ " - 12 (fine)	\$1,908	\$1,395	
5 $\frac{1}{4}$ "	2 $\frac{1}{4}$ " - 6 (fine)	\$1,908	\$1,395	\$1,812
6"	2 $\frac{1}{2}$ " - 6 (coarse)	\$2,344	\$1,723	\$2,236
8"	3 $\frac{1}{2}$ " - 6 (coarse)	\$4,291	\$3,182	\$4,133
18mm	M8 x 1.25	CALL	CALL	CALL
20mm	M10 x 1.5	CALL	CALL	CALL
22mm	M10 x 1.5			CALL
24mm	M10 x 1.5	CALL	CALL	CALL
28mm	M12 x 1.75	CALL	CALL	CALL
32mm	M18 x 2.5	\$577	\$398	\$517
35mm	M18 x 2.5	\$598	\$415	\$538
36mm	M20 x 2.5	\$607	\$419	\$543
40mm	M20 x 2.5	\$621	\$430	\$559
42mm	M22 x 2.5	\$615	\$425	\$553
45mm	M22 x 2.5	\$651	\$454	\$588
50mm	M24 x 3.0	\$690	\$481	\$624
55mm	M24 x 3.0	\$744	\$520	\$675
60mm	M27 x 3.0	\$783	\$551	\$715
65mm	M30 x 3.5	\$807	\$569	\$738
70mm	M36 x 4.0	\$897	\$637	\$826
80mm	M42 x 4.5	\$992	\$707	\$918
90mm	M48 x 5.0	\$1,192	\$857	\$1,113
100mm	M52 x 5.0	\$1,357	\$982	\$1,275
110mm	M56 x 5.5	\$1,751	\$1,277	\$1,659
125mm	M64 x 6.0	\$1,884	\$1,375	\$1,786
140mm	M72 x 6.0	\$2,600	\$1,524	\$1,979
160mm	M80 x 6.0	\$2,817	\$1,801	\$2,337
180mm	M90 x 6.0			

Demag

Screw Diameter	Thread	Side Discharge	Front Discharge or Hi-Flow	Front Discharge with FCI
18mm	M8 x 1.25	CALL	CALL	CALL
22mm	M10 x 1.5	CALL	CALL	CALL
25mm	M10 x 1.5	CALL	CALL	CALL
28mm	M12 x 1.75	CALL	CALL	CALL
30mm	M12 x 1.75	\$558	\$382	\$495
32mm	M14 X 2.0	\$572	\$391	\$510
38mm	M16 x 2.0	\$647	\$451	\$585
40mm	M16 x 2.0	\$685	\$477	\$620
45mm	TR20 x 3.0	\$722	\$507	\$658
52mm	TR22 x 3.0	\$797	\$562	\$728
60mm	TR27 x 3.0	\$852	\$603	\$781
70mm	TR40 X 3.0	\$1,000	\$712	\$927
82mm	TR35 x 3.0	\$1,213	\$875	\$1,135
110mm	TR50 x 3.0	\$1,569	\$1,139	\$1,479
120mm	TR60 x 3.0	\$2,028	\$1,468	\$1,906
145mm	TR65 x 4.0	\$2,882	\$2,124	\$2,759

Engel

Screw Diameter	Thread	Side Discharge	Front Discharge or Hi-Flow	Front Discharge with FCI
18mm	M10 x 1.5 -RH	CALL	CALL	CALL
22mm	M12 x 1.75 -RH	CALL	CALL	CALL
25mm	M12 x 1.75 -RH	CALL	CALL	CALL
30mm	M12 x 1.75 -RH	\$559	\$384	\$498
35mm	M12 x 1.75 -RH	\$593	\$410	\$530
40mm	M16 x 2.0 -RH	\$606	\$419	\$543
45mm	M20 x 2.5-RH	\$636	\$439	\$571
50mm	M24 x 3.0 -RH	\$676	\$472	\$612
55mm	M24 x 3.0 -RH	\$712	\$498	\$647
60mm	M30 x 3.5 -RH	\$737	\$516	\$671
65mm	M32 x 3.0 -RH	\$777	\$547	\$710
70mm	M36 x 4.0 -RH	\$827	\$584	\$758
80mm	M36 x 4.0 -RH	\$963	\$686	\$891
85mm	M42 x 4.5 -RH	\$1,018	\$728	\$945
90mm	M42 x 4.5 -RH	\$1,104	\$790	\$1,028
95mm	M42 x 4.5 -RH	\$1,169	\$841	\$1,092
105mm	M42 x 4.5 -RH	\$1,360	\$983	\$1,277
120mm	M54 x 2.0 -RH	CALL	CALL	CALL
135mm	M64 x 2.0 -RH	CALL	CALL	CALL
150mm	M64 x 6.0 -RH	CALL	CALL	CALL
170mm	M64 x 6.0 -RH	CALL	CALL	CALL

Need something custom? Click here for our Ball Check Order Form!

Ball Check Pricing

HPM

Screw Diameter	Thread	Side Discharge	Front Discharge or Hi-Flow	Front Discharge with FCI
1 1/8"	1/2" - 20	CALL	CALL	CALL
1 3/8"	5/8" - 11	\$593	\$410	\$530
1 1/2"	5/8" - 11	\$606	\$419	\$543
1 5/8"	3/4" - 16	\$452	N/A	\$556
1 3/4"	3/4" - 10	\$636	\$439	\$571
2"	7/8" - 9	\$667	\$464	\$605
2 1/4"	1" - 8	\$714	\$499	\$649
2 3/8"	1" - 8	\$800	\$563	\$732
2 1/2"	1 1/8" - 7	\$732	\$512	\$664
3"	1 1/8" - 6	\$859	\$610	\$790
3 1/2"	1 3/4" - 6	\$1,013	\$723	\$939
4"	2" - 6	\$1,184	\$852	\$1,106
4 1/2"	2 1/4" - 6	\$1,342	\$970	\$1,260
5 1/4"	2 3/4" - 6	\$1,810	\$1,321	\$1,715
6"	3" - 6	\$2,110	\$1,547	\$2,009

Husky

Screw Diameter	Thread	Side Discharge	Front Discharge or Hi-Flow	Front Discharge with FCI
25mm	M12 x 1.75	CALL	CALL	CALL
30mm	M14 x 2.0	CALL	CALL	CALL
32mm	M14 x 2.0	CALL	CALL	CALL
35mm	M18 x 2.0	CALL	CALL	CALL
42mm	M20 x 2.5	CALL	CALL	CALL
46mm	M20 x 2.5	CALL	CALL	CALL
50mm	M26 x 3.0	CALL	CALL	CALL
60mm	M30 x 3.5	CALL	CALL	CALL
70mm	M36 x 4.0	CALL	CALL	CALL
80mm	M42 x 4.5	CALL	CALL	CALL
85mm	M42 x 4.5	CALL	CALL	CALL
90mm	M45 x 4.5	CALL	CALL	CALL
100mm	M52 x 5.0	CALL	CALL	CALL
110mm	M52 x 5.0	CALL	CALL	CALL
115mm	M60 x 5.5	CALL	CALL	CALL
120mm	M64 x 6.0	CALL	CALL	CALL
125mm	M64 x 6.0	CALL	CALL	CALL
140mm	M72 x 6.0	CALL	CALL	CALL
145mm	M72 x 6.0	CALL	CALL	CALL
155mm	M72 x 6.0	CALL	CALL	CALL
160mm	M85 x 6.0	CALL	CALL	CALL
175mm	M90 x 6.0	CALL	CALL	CALL

JSW

Screw Diameter	Thread	Side Discharge	Front Discharge or Hi-Flow	Front Discharge with FCI
20mm	M10 x 1.5	CALL	CALL	CALL
25mm	M12 x 1.75	CALL	CALL	CALL
28mm	M16 x 2.0	CALL	CALL	CALL
32mm	M18 x 2.5	\$588	\$403	\$525
35mm	TR20 x 3.0	\$625	\$432	\$562
40mm	TR22 x 3.0	\$644	\$447	\$580
45mm	TR27 x 3.0	\$668	\$464	\$605
46mm	TR24 x 3.0	\$689	\$480	\$623
51mm	TR27 x 3.0	\$740	\$517	\$672
53mm	TR28 x 3.0	\$789	\$556	\$724
58mm	M36 x 3.0	\$826	\$582	\$757
60mm	TR55 x 3.0	\$865	\$612	\$794
66mm	TR38 x 3.0	\$918	\$651	\$846
68mm	TR40 x 3.0	\$974	\$694	\$902
72mm	TR40 x 3.0	\$1,039	\$744	\$966
76mm	TR40 x 3.0	\$1,080	\$775	\$1,006
84mm	TR47 x 3.0	\$1,268	\$915	\$1,190
86mm		\$1,411	\$1,022	\$1,329
100mm		\$1,617	\$1,175	\$1,526

Kawaguchi

Screw Diameter	Thread	Side Discharge	Front Discharge or Hi-Flow	Front Discharge with FCI
25mm	TR13 x 2.0	CALL	CALL	CALL
27mm	M14 x 2.0	CALL	CALL	CALL
28mm	M15 x 1.5	CALL	CALL	CALL
30mm	M16 x 1.5	\$576	\$394	\$512
32mm	M16 x 1.5	\$581	\$400	\$520
34mm	M18 x 2.0	\$606	\$417	\$542
35mm	M20 x 2.0	\$610	\$421	\$546
36mm	M20 x 2.0	\$615	\$425	\$553
37mm	TR20 x 2.0	\$623	\$430	\$559
40mm	TR20 x 2.0	\$642	\$447	\$580
42mm	TR24 x 3.0	\$653	\$454	\$588
50mm	TR30 x 3.0	\$723	\$507	\$658
55mm	TR30 x 3.0	\$779	\$547	\$710
58mm	TR34 x 4.0	\$801	\$563	\$732
63mm	TR34 x 4.0	\$852	\$605	\$783
65mm	M30 x 2.0	\$790	\$556	\$723
70mm	TR40 x 4.0	\$898	\$640	\$829
72mm	TR40 x 4.0	\$972	\$693	\$900
75mm	TR40 x 4.0	\$1,031	\$737	\$957
80mm	TR42 x 4.0	\$1,108	\$794	\$1,032
85mm	M46 x 5.0	\$1,162	\$837	\$1,086

Need something custom? Click here for our Ball Check Order Form!

Ball Check Pricing

Klockner Windsor

Screw Diameter	Thread	Side Discharge	Front Discharge or Hi-Flow	Front Discharge with FCI
18mm	M10 x 1.0	CALL	CALL	CALL
34mm	M16 x 2.0	\$592	\$410	\$530
40mm	M20 x 2.5	\$644	\$447	\$580
42mm	M20 x 2.5	\$654	\$455	\$590
50mm	M20 x 2.5	\$735	\$514	\$667
60mm	M30 x 3.5	\$800	\$563	\$732
70mm	M36 x 3.0	\$896	\$636	\$824
80mm	M48 x 4.0	\$1,126	\$809	\$1,049
90mm	M48 x 4.0	\$1,282	\$927	\$1,203
100mm	M60 x 4.0	\$1,349	\$975	\$1,268
120mm	M72 x 4.0	\$2,025	\$1,485	\$1,928
130mm	M76 x 4.0	\$2,374	\$1,745	\$2,266
150mm	M80 x 4.0	CALL	CALL	CALL

Krauss Maffei

Screw Diameter	Thread	Side Discharge	Front Discharge or Hi-Flow	Front Discharge with FCI
25mm	M12 x 1.75	CALL	CALL	CALL
35mm	M16 x 2.0	\$611	\$423	\$549
40mm	M20 x 2.5	\$636	\$439	\$571
45mm	M24 x 3.0	\$668	\$464	\$605
55mm	M35 x 3.5	\$792	\$554	\$720
60mm	M33 x 3.5	\$824	\$582	\$757
65mm	M33 x 3.5	\$863	\$611	\$792
70mm	1½" - 6	\$933	\$663	\$862
80mm	M42 x 4.5	\$1,097	\$787	\$1,021
90mm	M48 x 5.0	\$1,351	\$975	\$1,268
100mm	M53 x 3.0	\$1,430	\$1,036	\$1,344
114mm	TR55 x 4.0	\$1,814	\$1,323	\$1,717
115mm	TR60 x 3.0	\$1,828	\$1,336	\$1,734
128mm		\$2,343	\$1,720	\$2,235
130mm	TR75 x 4.0	\$2,343	\$1,720	\$2,235
135mm	TR75 x 4.0	\$2,599	\$2,081	\$2,703
146mm	TR80 x 10	\$2,890	\$2,132	\$2,769
165mm	TR85 x 12			CALL

MIR

Screw Diameter	Thread	Side Discharge	Front Discharge or Hi-Flow	Front Discharge with FCI
50mm		CALL	CALL	CALL
100mm		CALL	CALL	CALL

Mitsubishi

Screw Diameter	Thread	Side Discharge	Front Discharge or Hi-Flow	Front Discharge with FCI
28mm	M16 x 2.0	CALL	CALL	CALL
32mm	M16 x 2.0	\$595	\$412	\$534
50mm	M27 x 3.0	\$748	\$525	\$683
57mm	M33 x 3.5	CALL	CALL	CALL
62mm	M36 x 4.0	\$897	\$637	\$826
70mm	M39 x 4.0	\$1,009	\$720	\$933
80mm	M45 x 4.5	\$1,203	\$865	\$1,123
90mm	M48 x 5.0	\$1,385	\$1,001	\$1,300
105mm	M56 x 5.5	\$1,464	\$1,062	\$1,379
120mm	M60 x 5.5	\$1,853	\$1,353	\$1,756
135mm	M68 x 3.0	\$2,269	\$1,665	\$2,165
150mm	M76 x 6.0	\$2,740	\$2,022	\$2,626
175mm	M85 x 6.0	CALL	CALL	CALL

Natco

Screw Diameter	Thread	Side Discharge	Front Discharge or Hi-Flow	Front Discharge with FCI
1⅞"	1⅞" - 7	\$702	\$490	\$636
2¼"	1½" - 6	\$784	\$553	\$719
2½"	1½" - 6	\$784	\$551	\$715
3¼"	2" - 8	\$1,110	\$797	\$1,034
4¼"	2¼" - 12	\$1,626	\$1,183	\$1,537
70mm	1⅞" - 6	\$943	\$671	\$872
90mm	1½" - 6	\$1,269	\$917	\$1,191
105mm	1¾" - 6	\$1,635	\$1,191	\$1,546
120mm	2" - 6	\$2,005	\$1,466	\$1,905
135mm	2¼" - 6	\$2,353	\$1,730	\$2,246

Negri Bossi

Screw Diameter	Thread	Side Discharge	Front Discharge or Hi-Flow	Front Discharge with FCI
26mm	M10 x 1.5	CALL	CALL	CALL
38mm	M16 x 1.5	\$620	\$429	\$556
45mm	M22 x 2.0	\$672	\$468	\$610
50mm	M22 x 2.0	\$720	\$506	\$655
55mm	M24 x 2.0	\$758	\$532	\$690
60mm	M26 x 2.0	\$792	\$558	\$725
70mm	M26 x 2.0	\$919	\$653	\$848
85mm	M36 x 2.0	\$1,128	\$810	\$1,050
100mm	M60 x 5.5	\$1,368	\$995	\$1,290

Ball Check Pricing

Netstal

Screw Diameter	Thread	Side Discharge	Front Discharge or Hi-Flow	Front Discharge with FCI
28mm	M16 x 1.5	CALL	CALL	CALL
40mm	M18 x 2.5	\$634	\$437	\$569
55mm	M24 x 3.0	\$777	\$547	\$710
70mm	M26 x 2.0	\$897	\$637	\$826
80mm	M28 x 2.0	\$992	\$707	\$918
90mm	M32 x 2.0	\$1,192	\$857	\$1,113
100mm		\$1,357	\$982	\$1,275
110mm		\$1,751	\$1,277	\$1,659
125mm		\$1,884	\$1,375	

New Britain

Screw Diameter	Thread	Side Discharge	Front Discharge or Hi-Flow	Front Discharge with FCI
1 $\frac{3}{8}$ "	$\frac{9}{16}$ " - 18	\$593	\$410	\$530
1 $\frac{1}{2}$ "	$\frac{3}{4}$ " - 16	\$606	\$417	\$542
1 $\frac{5}{8}$ "	$\frac{3}{4}$ " - 16	\$673	\$469	\$611
1 $\frac{3}{4}$ "	$\frac{3}{4}$ " - 16	\$693	\$482	\$627
2"	1" - 8	\$748	\$524	\$680
2 $\frac{1}{8}$ "	1" - 8	\$771	\$543	\$705
2 $\frac{5}{16}$ "	1" - 8	\$811	\$573	\$744
2 $\frac{1}{2}$ "	1 $\frac{1}{4}$ " - 8	\$880	\$623	\$809
2 $\frac{3}{4}$ "	1 $\frac{3}{8}$ " - 8	\$952	\$676	\$879
3 $\frac{1}{4}$ "	1 $\frac{1}{2}$ " - 8	\$1,188	\$853	\$1,108
3 $\frac{1}{2}$ "	1 $\frac{3}{4}$ " - 8	\$1,278	\$923	\$1,199
4 $\frac{1}{4}$ "	2" - 8	\$1,700	\$1,240	\$1,612
30mm	M18 x 2.5	\$575	\$394	\$512
35mm	$\frac{9}{16}$ " - 18	\$603	\$416	\$540
36mm	TR20 x 3.0	\$605	\$417	\$542
42mm	TR27 x 3.0	\$634	\$437	\$569
45mm	$\frac{3}{4}$ " - 10	\$651	\$452	\$586
55mm	TR35 x 3.0	\$703	\$493	\$641
58mm	M35 x 3.0	\$719	\$504	\$654
65mm	TR40 x 3.0	\$840	\$593	\$771
70mm	TR40 x 3.0	\$898	\$640	\$829
82mm	TR47 x 3.0	\$1,122	\$805	\$1,044
89mm	1 $\frac{3}{4}$ " - 8	\$1,243	\$896	\$1,162
100mm	TR50 x 3.0	\$1,489	\$1,080	\$1,403

Newbury

Screw Diameter	Thread	Side Discharge	Front Discharge or Hi-Flow	Front Discharge with FCI
1"	$\frac{1}{2}$ " - 13	CALL	CALL	CALL
1 $\frac{1}{4}$ "	$\frac{5}{8}$ " - 11	\$579	\$398	\$517
1 $\frac{3}{8}$ "	$\frac{5}{8}$ " - 11	\$594	\$411	\$532
1 $\frac{1}{2}$ "	$\frac{3}{4}$ " - 10	\$636	\$441	\$573
1 $\frac{3}{4}$ "	$\frac{7}{8}$ " - 9	\$647	\$450	\$582
2"	1" - 8	\$683	\$475	\$616
2 $\frac{1}{4}$ "	1" - 8	\$738	\$516	\$671
2 $\frac{1}{2}$ "	1" - 8	\$818	\$581	\$753
3 $\frac{1}{2}$ "	1 $\frac{1}{2}$ " - 12	\$1,135	\$819	\$1,063

Niigata

Screw Diameter	Thread	Side Discharge	Front Discharge or Hi-Flow	Front Discharge with FCI
25mm	M12 x 1.0	CALL	CALL	CALL
30mm	M16 x 1.5	\$592	\$410	\$530
35mm	M18 x 2.5	\$606	\$417	\$542
40mm	M20 x 2.5	\$634	\$441	\$573
45mm	M24 x 3.0	\$673	\$469	\$611
52mm	M27 x 3.0	\$729	\$511	\$663
60mm	M33 x 3.0	\$810	\$572	\$741
68mm	M36 x 3.0	\$918	\$651	\$845
75mm	M42 x 3.0	\$1,010	\$722	\$936
76mm	M42 x 3.0	\$950	\$676	\$879
82mm	M48 x 3.0	\$1,032	\$737	\$957
90mm	M48 x 3.0	\$1,200	\$866	\$1,125

Need something custom? Click here for our Ball Check Order Form!

Ball Check Pricing

Nissei

Screw Diameter	Thread	Side Discharge	Front Discharge or Hi-Flow	Front Discharge with FCI
19mm	M10 x 1.5	CALL	CALL	CALL
22mm	TR12 x 2.0	CALL	CALL	CALL
28mm	TR14 x 2.0	CALL	CALL	CALL
30mm	TR16 x 2.0	\$567	\$389	\$506
32mm	TR18 x 2.0	\$577	\$395	\$514
36mm	TR20 x 2.0	\$614	\$424	\$550
38mm	TR28 x 3.0	\$618	\$426	\$554
40mm	TR24 x 3.0	\$650	\$452	\$586
44mm	TR24 x 3.0	\$686	\$477	\$619
45mm	TR26 x 3.0	\$685	\$476	\$618
48mm	TR28 x 3.0	\$705	\$493	\$641
50mm	TR28 x 3.0	\$722	\$506	\$655
54mm	M30 x 1.5	\$792	\$558	\$725
56mm	TR32 x 3.0	\$784	\$553	\$719
63mm	TR36 x 3.0	\$862	\$611	\$792
64mm	TR40 x 3.0	\$872	\$618	\$802
71mm	TR44 x 3.0	\$945	\$672	\$874
72mm	TR44 x 3.0	\$961	\$684	\$887
75mm	M42 x 2.0	\$946	\$675	\$876
80mm	TR48 x 3.0	\$1,091	\$783	\$1,015
84mm	TR52 x 3.0	\$1,138	\$816	\$1,061
90mm	TR55 x 3.0	\$1,242	\$894	\$1,161
100mm	TR65 x 3.0	\$1,395	\$1,010	\$1,312

Sandretto

Screw Diameter	Thread	Side Discharge	Front Discharge or Hi-Flow	Front Discharge with FCI
40mm	M18 x 2.5	\$625	\$433	\$563
45mm	M20 x 2.5	\$663	\$462	\$598
50mm	M24 x 3.0	\$707	\$495	\$644
55mm	M27 x 3.0	\$759	\$533	\$692
60mm	M30 x 3.5	\$816	\$577	\$749
65mm	M30 x 3.5	\$872	\$618	\$802
70mm	M33 x 3.5	\$939	\$668	\$867
75mm	M33 x 3.5	\$1,017	\$728	\$945
80mm	M36 x 4.0	\$1,105	\$790	\$1,028
90mm	M39 x 4.0	\$1,252	\$902	\$1,171
105mm	M42 x 4.5	\$1,724	\$1,248	\$1,622
120mm	M48 x 5.0	\$1,884	\$1,375	\$1,786

Sumitomo

Screw Diameter	Thread	Side Discharge	Front Discharge or Hi-Flow	Front Discharge with FCI
18mm	M9 x 1.0	CALL	CALL	CALL
20mm	M10 x 1.25	CALL	CALL	CALL
22mm	M10 x 1.25	CALL	CALL	CALL
25mm	M12 x 1.5	CALL	CALL	CALL
28mm	M12 x 1.5	CALL	CALL	CALL
32mm	M16 x 1.5	\$567	\$389	\$506
36mm	M16 x 1.5	\$594	\$411	\$532
40mm	M20 x 2.0	\$611	\$423	\$549
45mm	M20 x 2.0	\$649	\$451	\$585
50mm	M24 x 2.0	\$692	\$481	\$624
56mm	M24 x 2.0	\$745	\$521	\$679
63mm	M33 x 3.0	\$806	\$569	\$738
71mm	M33 x 3.0	\$894	\$634	\$823
80mm	M40 x 3.0	\$1,005	\$718	\$931
90mm		\$1,164	\$837	\$1,086
100mm		\$1,365	\$988	\$1,282
110mm				\$1,541
112mm		\$1,632	\$1,188	\$1,659
125mm		\$1,884	\$1,375	\$1,786

Toshiba

Screw Diameter	Thread	Side Discharge	Front Discharge or Hi-Flow	Front Discharge with FCI
25mm	M12 x 1.5	CALL	CALL	CALL
28mm	M15 x 1.5	CALL	CALL	CALL
32mm	M18 x 2.0	\$571	\$391	\$508
36mm	M22 x 2.0	\$608	\$420	\$545
40mm	M22 x 2.0	\$632	\$437	\$569
45mm	M26 x 1.5	\$668	\$464	\$605
50mm	M28 x 2.0	\$692	\$482	\$627
55mm	M28 x 2.0	\$768	\$541	\$702
60mm	M28 x 2.0	\$835	\$589	\$766
70mm	M36 x 3.0	\$953	\$680	\$881
75mm	M40 x 2.0	\$1,039	\$742	\$965
80mm	M42 x 3.0	\$1,122	\$805	\$1,044
85mm	M42 x 3.0	\$1,212	\$875	\$1,135
90mm	M45 x 4.0	\$1,118	\$803	\$1,043
95mm	M45 x 4.0	\$1,370	\$993	\$1,288
100mm	M50 x 4.0	\$1,769	\$1,291	\$1,677
105mm	M50 x 4.0	\$1,880	\$1,372	\$1,782
115mm	M60 x 4.0	\$2,165	\$1,587	\$2,061
120mm	M60 x 4.0	\$2,444	\$1,797	\$2,334
125mm	M64 x 4.0	\$2,668	\$1,964	\$2,552
140mm	M64 x 4.0	\$3,311	\$2,448	\$3,180

Ball Check Pricing

Toyo

Screw Diameter	Thread	Side Discharge	Front Discharge or Hi-Flow	Front Discharge with FCI
20mm	M10 x 1.25	CALL	CALL	CALL
24mm	M12 x 1.5	CALL	CALL	CALL
28mm	M16 x 2.0	CALL	CALL	CALL
30mm	M18 x 2.5	CALL	CALL	CALL
32mm	M18 x 2.5	\$589	\$404	\$527
36mm	M18 x 2.5	\$614	\$424	\$550
40mm	M22 x 2.5	\$641	\$443	\$576
46mm	M24 x 3.0	\$680	\$473	\$614
50mm	M27 x 3.0	\$759	\$532	\$690
55mm	M27 x 3.0	\$822	\$580	\$751
60mm	M30 x 3.0	\$901	\$641	\$831
68mm	M33 x 3.5	\$1,030	\$736	\$954
75mm	M36 x 4.0	\$1,104	\$790	\$1,028
83mm	M38 x 4.0	\$1,265	\$914	\$1,187

Trubor

Screw Diameter	Thread	Side Discharge	Front Discharge or Hi-Flow	Front Discharge with FCI
25mm	1/2" - 13	CALL	CALL	CALL
28mm	1/2" - 13	CALL	CALL	CALL
31mm	5/8" - 11	\$593	\$410	\$530
35mm	5/8" - 11	\$607	\$419	\$543
38mm	3/4" - 10	\$603	\$416	\$540
41mm	3/4" - 10	\$642	\$447	\$580

Trueblood

Screw Diameter	Thread	Side Discharge	Front Discharge or Hi-Flow	Front Discharge with FCI
1"	1/2" - 13	CALL	CALL	CALL
1 1/4"	5/8" - 11	\$571	\$391	\$508
1 3/8"	5/8" - 11	\$592	\$410	\$530
1 1/2"	5/8" - 11	\$594	\$411	\$532
1 3/4"	3/4" - 10	\$634	\$437	\$569
2"	7/8" - 9	\$681	\$475	\$616
2 1/4"	7/8" - 9	\$703	\$493	\$641
2 1/2"	1 1/8" - 7	536	\$528	\$685

Van Dorn Demag

Screw Diameter	Thread	Side Discharge	Front Discharge or Hi-Flow	Front Discharge with FCI
25mm	M12 x 1.75	CALL	CALL	CALL
30mm	5/8" - 11	CALL	CALL	CALL
35mm	3/4" - 10	\$611	\$421	\$546
38mm	3/4" - 10	\$619	\$428	\$555
40mm	3/4" - 10	\$634	\$437	\$569
50mm	1" - 8	\$776	\$546	\$709
57mm	1 1/4" - 7	\$819	\$577	\$749
65mm	1 3/8" - 6	\$841	\$594	\$772
69mm	1 3/8" - 6	\$980	\$699	\$907
75mm	1 3/8" - 6	\$1,022	\$732	\$949
80mm	1 3/8" - 6	\$1,130	\$811	\$1,052
90mm	1 3/4" - 8	\$1,191	\$855	\$1,112
105mm	1 3/4" - 8	\$1,531	\$1,112	\$1,442
115mm	2" - 8	\$1,569	\$1,139	\$1,479
135mm	2 1/2" - 8	\$2,100	\$1,538	\$1,997
155mm	3 1/4" - 4	\$2,882	\$2,124	\$2,759
165mm	M75 x 4.0	CALL	CALL	CALL
180mm	3 1/4" - 4	CALL	CALL	CALL
185mm	M85 x 4.0	CALL	CALL	CALL

Welltec

Screw Diameter	Thread	Side Discharge	Front Discharge or Hi-Flow	Front Discharge with FCI
43mm	M20 x 2.5	\$672	\$468	\$588
45mm	M20 x 2.5	\$651	\$454	\$610
50mm	M24 x 2.0	\$690	\$481	\$624
55mm		\$744	\$520	\$736
56mm		\$805	\$567	\$736
60mm	M27 x 3.0	\$824	\$581	\$715
65mm	M27 x 3.0	\$870	\$616	\$738
70mm		\$897	\$637	\$995
75mm	M36 x 4.0	\$944	\$672	\$949
80mm		\$1,112	\$798	\$1,035
90mm	M42 x 3.0	\$1,192	\$857	\$1,113
100mm		\$1,357	\$982	\$1,275
110mm		\$1,751	\$1,277	\$1,659
115mm	M56 x 3.0	\$1,728	\$1,261	\$1,723
125mm		\$1,884	\$1,375	\$1,786

A note about Legacy Machines. . .

As a supplier to the plastics industry since 1968, EMI has an extensive knowledge of components you may consider "difficult to find" elsewhere. If your company still operates some vintage equipment, give us a call! We may be able to offer assistance on the following makes:

- Beloit
 - Egan
 - Farrel
 - Fellows
- Impco
 - Jaco
 - Lester
 - Lombard
- Reed
 - Stubbe
 - TMC

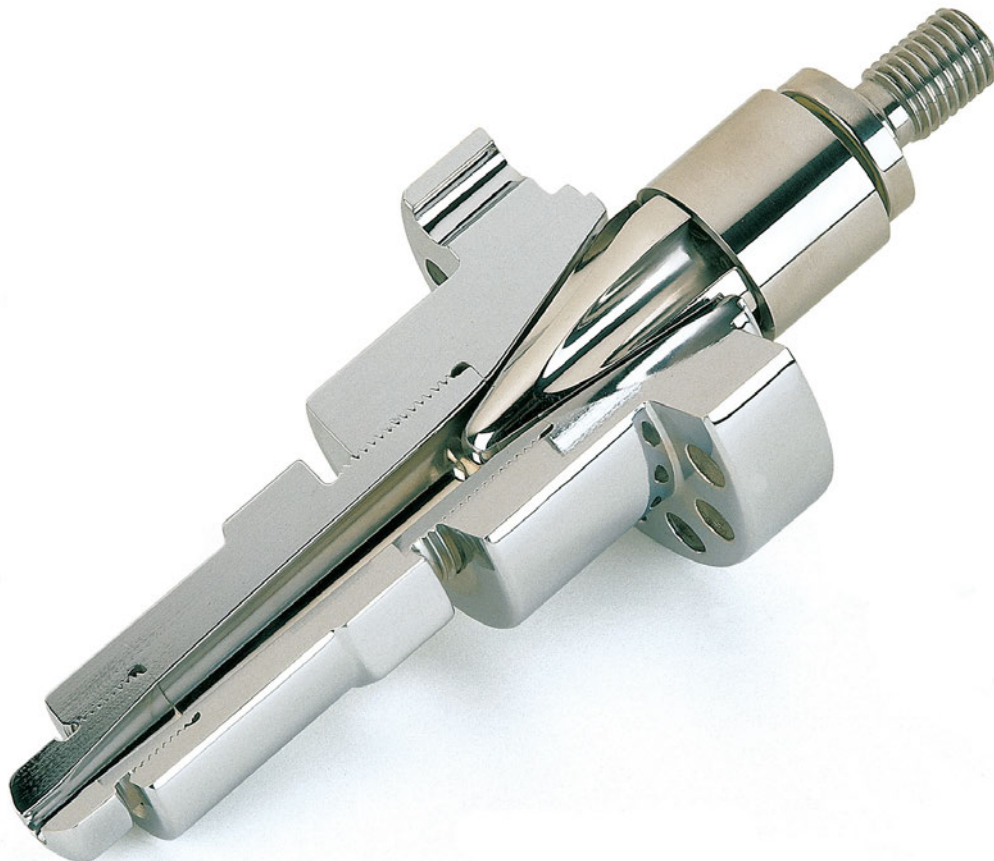
EMI End Cap System

Process vinyl, polycarbonate, ABS and other low molecular weight materials consistently better

EMI's end cap system integrates a complete system of specially designed components to process heat and shear-sensitive materials. Employing a 100% free flow valve, and a special long-taper end cap-nozzle-tip assembly, eliminates turbulent flow of melt. The 100% free flow valve assures consistent shot control in a completely unrestricted melt flow path. The resulting smooth laminar flow discourages shear burn and reduces abrupt pressure drops. The narrow, tapered channel between the ring valve and the nozzle tip smoothly directs the melt, enhancing side-wall cleaning and inhibiting carbonized plastic build-up.

Carl W. Toensing, Manager of Molding Technical Service; GEON Vinyl division, commenting on the jointly developed End Cap System:

*"We knew we had to find a positive shut-off tip which was gentle enough for shear sensitive materials, yet allowed faster production. That's when we started working with EMI. They took the challenge and modified their 100% Free Flow sliding check ring valve, combining it with a narrow tapered flow path between the valve and the end cap, continuing all the way through the nozzle and tip. **This development has proven to be a major success. It's given us the trouble-free performance and results which molders need for day-in, day-out molding of rigid vinyls in complex parts.**"*



Contact EMI for pricing and to discuss your application.

Removeable Nozzle Tips

Standard Tip:

- Thru-hardened for superior life.
- Manufactured from S-7 tool steel.
- Standard or extended lengths.
- Available in General Purpose, Reverse Taper (for nylon) and Full Taper styles.
- Fit all replaceable tip type nozzles.
- 7/8"-14 thread
- 1/2" rear opening
- Standard O.A.L.: 1 1/2"
- Extended O.A.L.: 2 3/4" to 4 3/4"
- Made in the U.S.A.



Our standard nozzle tips are made of S-7 tool steel which stands up to heat better than S-1. And S-7 provides better shock and impact resistance than H-13.

Fast Heat Transfer Tip:

- Thru-hardened for superior life.
- Manufactured from Ampco 940 copper alloy.
- Standard or extended lengths.
- Available in General Purpose, Reverse Taper (for nylon) and Full Taper styles.
- Fit all replaceable tip type nozzles.
- 7/8"-14 thread
- 1/2" rear opening
- Standard O.A.L.: 1 1/2"
- Extended O.A.L.: 2 3/4" to 4 3/4"
- Made in the U.S.A.



EMI's fast heat transfer tips are made of Ampco 940 copper alloy because traditional beryllium copper is extremely toxic to workers when it is sanded and polished. Be safe, use only EMI's Ampco 940 fast heat transfer tips.

Nozzle Tip Accessories

Quick#	Part#	Radius	Price
N344	LF2	Linear Edge Filter Element	\$114.00
N345	LM2	Linear Edge Mixing Element	\$139.00
N346	U-TF	Filter Plate for UA Style Tramp Mat'l Filter Nozzle	\$125.00

Removeable Nozzle Tips

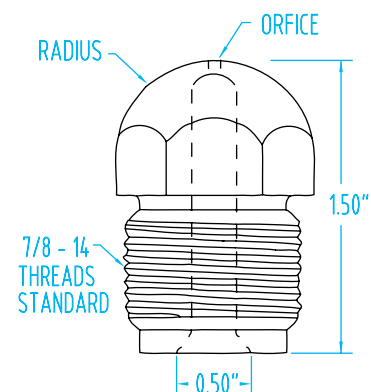
Standard Nozzle Tips

1/2" Radius

Quick#	Part#	Orifice	Price
N011	49-1-8	1/16"	\$19.20
N012	49-03-8	3/32"	\$19.20
N013	49-2-8	1/8"	\$19.20
N014	49-05-8	5/32"	\$19.20
N015	49-3-8	3/16"	\$19.20
N016	49-07-8	7/32"	\$19.20
N017	49-4-8	1/4"	\$19.20
N018	49-09-8	9/32"	\$19.20
N019	49-5-8	5/16"	\$19.20
N020	49-011-8	11/32"	\$19.20
N021	49-6-8	3/8"	\$19.20
N022	49-8-8	1/2"	\$19.20

3/4" Radius

Quick#	Part#	Orifice	Price
N045	49-1-12	1/16"	\$19.20
N046	49-03-12	3/32"	\$19.20
N047	49-2-12	1/8"	\$19.20
N048	49-05-12	5/32"	\$19.20
N049	49-3-12	3/16"	\$19.20
N050	49-07-12	7/32"	\$19.20
N051	49-4-12	1/4"	\$19.20
N052	49-09-12	9/32"	\$19.20
N053	49-5-12	5/16"	\$19.20
N054	49-011-12	11/32"	\$19.20
N055	49-6-12	3/8"	\$19.20
N056	49-8-12	1/2"	\$19.20



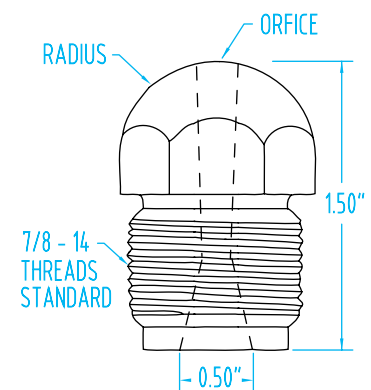
Standard Nylon Nozzle Tips

1/2" Radius

Quick#	Part#	Orifice	Price
N023	49-1-8N	1/16"	\$19.20
N024	49-03-8N	3/32"	\$19.20
N025	49-2-8N	1/8"	\$19.20
N026	49-05-8N	5/32"	\$19.20
N027	49-3-8N	3/16"	\$19.20
N028	49-07-8N	7/32"	\$19.20
N029	49-4-8N	1/4"	\$19.20
N030	49-09-8N	9/32"	\$19.20
N031	49-5-8N	5/16"	\$19.20
N032	49-011-8N	11/32"	\$19.20
N033	49-6-8N	3/8"	\$19.20

3/4" Radius

Quick#	Part#	Orifice	Price
N057	49-1-12N	1/16"	\$19.20
N058	49-03-12N	3/32"	\$19.20
N059	49-2-12N	1/8"	\$19.20
N060	49-05-12N	5/32"	\$19.20
N061	49-3-12N	3/16"	\$19.20
N062	49-07-12N	7/32"	\$19.20
N063	49-4-12N	1/4"	\$19.20
N064	49-09-12N	9/32"	\$19.20
N065	49-5-12N	5/16"	\$19.20
N066	49-011-12N	11/32"	\$19.20
N067	49-6-12N	3/8"	\$19.20



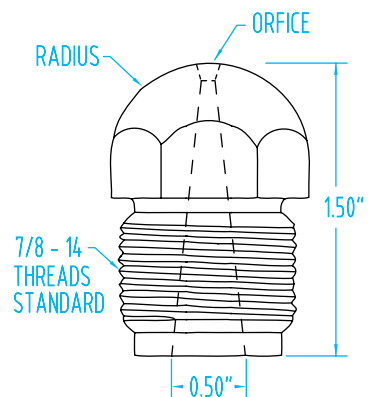
Standard Full-Taper Nozzle Tips

1/2" Radius

Quick#	Part#	Orifice	Price
N034	49-1-8ABS	1/16"	\$19.20
N035	49-03-8ABS	3/32"	\$19.20
N036	49-2-8ABS	1/8"	\$19.20
N037	49-05-8ABS	5/32"	\$19.20
N038	49-3-8ABS	3/16"	\$19.20
N039	49-07-8ABS	7/32"	\$19.20
N040	49-4-8ABS	1/4"	\$19.20
N041	49-09-8ABS	9/32"	\$19.20
N042	49-5-8ABS	5/16"	\$19.20
N043	49-011-8ABS	11/32"	\$19.20
N044	49-6-8ABS	3/8"	\$19.20

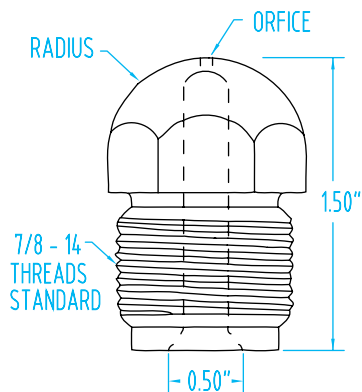
3/4" Radius

Quick#	Part#	Orifice	Price
N068	49-1-12ABS	1/16"	\$19.20
N069	49-03-12ABS	3/32"	\$19.20
N070	49-2-12ABS	1/8"	\$19.20
N071	49-05-12ABS	5/32"	\$19.20
N072	49-3-12ABS	3/16"	\$19.20
N073	49-07-12ABS	7/32"	\$19.20
N074	49-4-12ABS	1/4"	\$19.20
N075	49-09-12ABS	9/32"	\$19.20
N076	49-5-12ABS	5/16"	\$19.20
N077	49-011-12ABS	11/32"	\$19.20
N078	49-6-12ABS	3/8"	\$19.20
N079	49-8-12ABS	1/2"	\$19.20



Removeable Nozzle Tips

Fast Heat Transfer Nozzle Tips



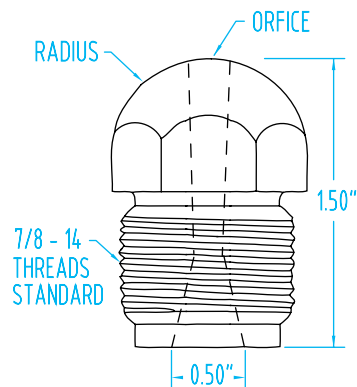
1/2" Radius

Quick#	Part#	Orifice	Price
N168	59B-1-8	1/16"	\$47.15
N169	59B-03-8	3/32"	\$47.15
N170	59B-2-8	1/8"	\$47.15
N171	59B-05-8	5/32"	\$47.15
N172	59B-3-8	3/16"	\$47.15
N173	59B-07-8	7/32"	\$47.15
N174	59B-4-8	1/4"	\$47.15
N175	59B-09-8	9/32"	\$47.15
N176	59B-5-8	5/16"	\$47.15
N177	59B-011-8	11/32"	\$47.15
N178	59B-6-8	3/8"	\$47.15
N179	59B-8-8	1/2"	\$47.15

3/4" Radius

Quick#	Part#	Orifice	Price
N180	59B-1-12	1/16"	\$47.15
N181	59B-03-12	3/32"	\$47.15
N182	59B-2-12	1/8"	\$47.15
N183	59B-05-12	5/32"	\$47.15
N184	59B-3-12	3/16"	\$47.15
N185	59B-07-12	7/32"	\$47.15
N186	59B-4-12	1/4"	\$47.15
N187	59B-09-12	9/32"	\$47.15
N188	59B-5-12	5/16"	\$47.15
N189	59B-011-12	11/32"	\$47.15
N190	59B-6-12	3/8"	\$47.15
N191	59B-8-12	1/2"	\$47.15

Fast Heat Transfer Nylon Nozzle Tips



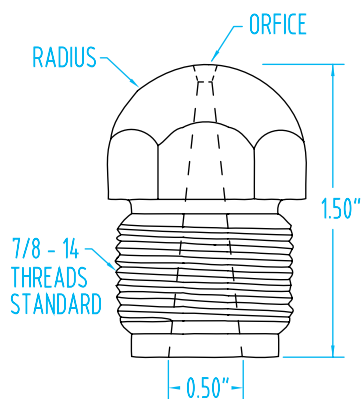
1/2" Radius

Quick#	Part#	Orifice	Price
N192	59B-1-8N	1/16"	\$47.15
N193	59B-03-8N	3/32"	\$47.15
N194	59B-2-8N	1/8"	\$47.15
N195	59B-05-8N	5/32"	\$47.15
N196	59B-3-8N	3/16"	\$47.15
N197	59B-07-8N	7/32"	\$47.15
N198	59B-4-8N	1/4"	\$47.15
N199	59B-09-8N	9/32"	\$47.15
N200	59B-5-8N	5/16"	\$47.15
N201	59B-011-8N	11/32"	\$47.15
N202	59B-6-8N	3/8"	\$47.15

3/4" Radius

Quick#	Part#	Orifice	Price
N203	59B-1-12N	1/16"	\$47.15
N204	59B-03-12N	3/32"	\$47.15
N205	59B-2-12N	1/8"	\$47.15
N206	59B-05-12N	5/32"	\$47.15
N207	59B-3-12N	3/16"	\$47.15
N208	59B-07-12N	7/32"	\$47.15
N209	59B-4-12N	1/4"	\$47.15
N210	59B-09-12N	9/32"	\$47.15
N211	59B-5-12N	5/16"	\$47.15
N212	59B-011-12N	11/32"	\$47.15
N213	59B-6-12N	3/8"	\$47.15

Fast Heat Transfer Full-Taper Nozzle Tips



1/2" Radius

Quick#	Part#	Orifice	Price
N214	59B-1-8ABS	1/16"	\$47.15
N215	59B-03-8ABS	3/32"	\$47.15
N216	59B-2-8ABS	1/8"	\$47.15
N217	59B-05-8ABS	5/32"	\$47.15
N218	59B-3-8ABS	3/16"	\$47.15
N219	59B-07-8ABS	7/32"	\$47.15
N220	59B-4-8ABS	1/4"	\$47.15
N221	59B-09-8ABS	9/32"	\$47.15
N222	59B-5-8ABS	5/16"	\$47.15
N223	59B-011-8ABS	11/32"	\$47.15
N224	59B-6-8ABS	3/8"	\$47.15

3/4" Radius

Quick#	Part#	Orifice	Price
N225	59B-1-12ABS	1/16"	\$47.15
N226	59B-03-12ABS	3/32"	\$47.15
N227	59B-2-12ABS	1/8"	\$47.15
N228	59B-05-12ABS	5/32"	\$47.15
N229	59B-3-12ABS	3/16"	\$47.15
N230	59B-07-12ABS	7/32"	\$47.15
N231	59B-4-12ABS	1/4"	\$47.15
N232	59B-09-12ABS	9/32"	\$47.15
N233	59B-5-12ABS	5/16"	\$47.15
N234	59B-011-12ABS	11/32"	\$47.15
N235	59B-6-12ABS	3/8"	\$47.15

Removeable Nozzle Tips

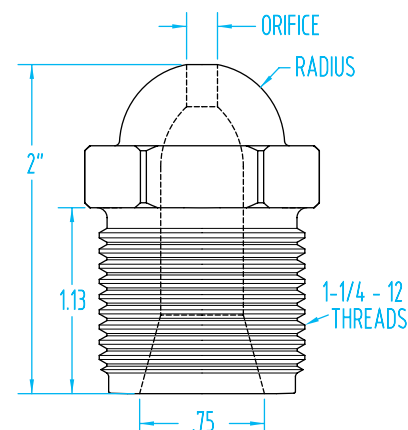
Big Bore Nozzle Tips

1/2" Radius

Quick#	Part#	Orifice	Price
N276	268-1-8	1/16"	\$57.93
N277	268-03-8	3/32"	\$57.93
N278	268-2-8	1/8"	\$57.93
N279	268-05-8	5/32"	\$57.93
N280	268-3-8	3/16"	\$57.93
N281	268-07-8	7/32"	\$57.93
N282	268-4-8	1/4"	\$57.93
N283	268-09-8	9/32"	\$57.93
N284	268-5-8	5/16"	\$57.93
N285	268-011-8	11/32"	\$57.93
N286	268-6-8	3/8"	\$57.93
N287	268-8-8	1/2"	\$57.93

3/4" Radius

Quick#	Part#	Orifice	Price
N288	268-1-12	1/16"	\$57.93
N289	268-03-12	3/32"	\$57.93
N290	268-2-12	1/8"	\$57.93
N291	268-05-12	5/32"	\$57.93
N292	268-3-12	3/16"	\$57.93
N293	268-07-12	7/32"	\$57.93
N294	268-4-12	1/4"	\$57.93
N295	268-09-12	9/32"	\$57.93
N296	268-5-12	5/16"	\$57.93
N297	268-011-12	11/32"	\$57.93
N298	268-6-12	3/8"	\$57.93
N299	268-8-12	1/2"	\$57.93



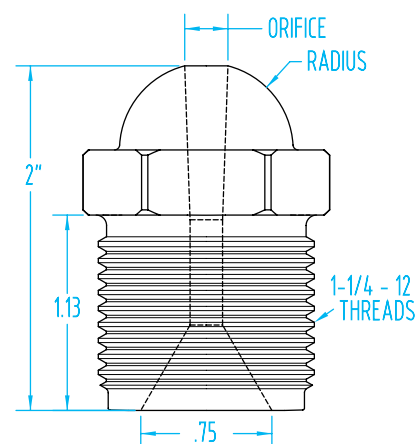
Big Bore Nylon Nozzle Tips

1/2" Radius

Quick#	Part#	Orifice	Price
N300	268-1-8N	1/16"	\$57.93
N301	268-03-8N	3/32"	\$57.93
N302	268-2-8N	1/8"	\$57.93
N303	268-05-8N	5/32"	\$57.93
N304	268-3-8N	3/16"	\$57.93
N305	268-07-8N	7/32"	\$57.93
N306	268-4-8N	1/4"	\$57.93
N307	268-09-8N	9/32"	\$57.93
N308	268-5-8N	5/16"	\$57.93
N309	268-011-8N	11/32"	\$57.93
N310	268-6-8N	3/8"	\$57.93

3/4" Radius

Quick#	Part#	Orifice	Price
N311	268-1-12N	1/16"	\$57.93
N312	268-03-12N	3/32"	\$57.93
N313	268-2-12N	1/8"	\$57.93
N314	268-05-12N	5/32"	\$57.93
N315	268-3-12N	3/16"	\$57.93
N316	268-07-12N	7/32"	\$57.93
N317	268-4-12N	1/4"	\$57.93
N318	268-09-12N	9/32"	\$57.93
N319	268-5-12N	5/16"	\$57.93
N320	268-011-12N	11/32"	\$57.93
N321	268-6-12N	3/8"	\$57.93



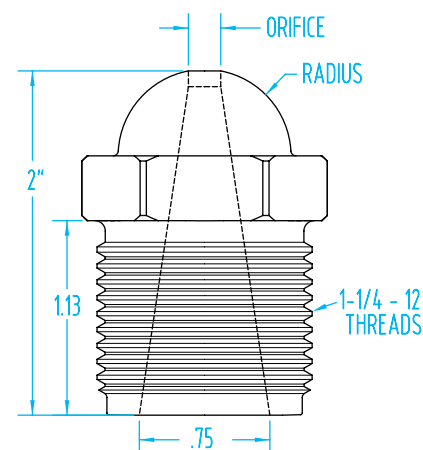
Big Bore Full-Taper Nozzle Tips

1/2" Radius

Quick#	Part#	Orifice	Price
N322	268-1-8ABS	1/16"	\$57.93
N323	268-03-8ABS	3/32"	\$57.93
N324	268-2-8ABS	1/8"	\$57.93
N325	268-05-8ABS	5/32"	\$57.93
N326	268-3-8ABS	3/16"	\$57.93
N327	268-07-8ABS	7/32"	\$57.93
N328	268-4-8ABS	1/4"	\$57.93
N329	268-09-8ABS	9/32"	\$57.93
N330	268-5-8ABS	5/16"	\$57.93
N331	268-011-8ABS	11/32"	\$57.93
N332	268-6-8ABS	3/8"	\$57.93

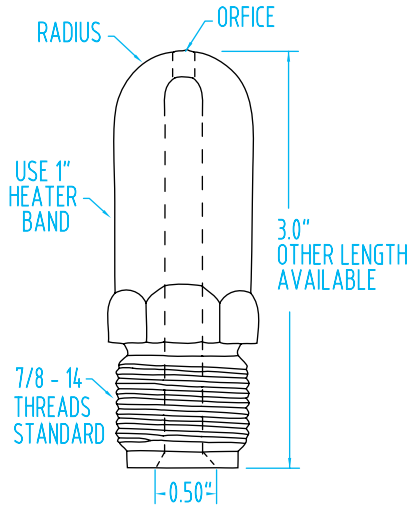
3/4" Radius

Quick#	Part#	Orifice	Price
N333	268-1-12ABS	1/16"	\$57.93
N334	268-03-12ABS	3/32"	\$57.93
N335	268-2-12ABS	1/8"	\$57.93
N336	268-05-12ABS	5/32"	\$57.93
N337	268-3-12ABS	3/16"	\$57.93
N338	268-07-12ABS	7/32"	\$57.93
N339	268-4-12ABS	1/4"	\$57.93
N340	268-09-12ABS	9/32"	\$57.93
N341	268-5-12ABS	5/16"	\$57.93
N342	268-011-12ABS	11/32"	\$57.93
N343	268-6-12ABS	3/8"	\$57.93



Removeable Nozzle Tips

3" Extended Nozzle Tips

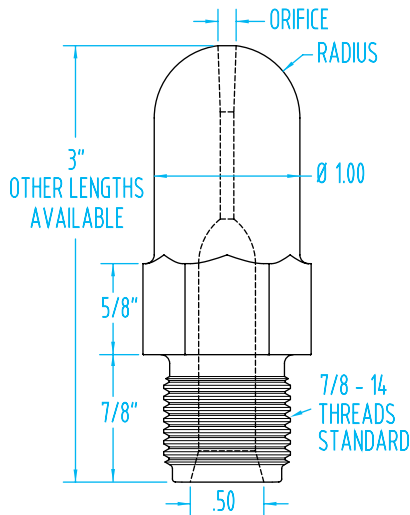


1/2" Radius

Quick#	Part#	Orifice	Price
N080	49-300-1-8	1/16"	\$51.19
N081	49-300-03-8	3/32"	\$51.19
N082	49-300-2-8	1/8"	\$51.19
N083	49-300-05-8	5/32"	\$51.19
N084	49-300-3-8	3/16"	\$51.19
N085	49-300-07-8	7/32"	\$51.19
N086	49-300-4-8	1/4"	\$51.19
N087	49-300-09-8	9/32"	\$51.19
N088	49-300-5-8	5/16"	\$51.19
N089	49-300-011-8	11/32"	\$51.19
N090	49-300-6-8	3/8"	\$51.19
N091	49-300-8-8	1/2"	\$51.19

3/4" Radius

Quick#	Part#	Orifice	Price
N092	49-300-1-12	1/16"	\$51.19
N093	49-300-03-12	3/32"	\$51.19
N094	49-300-2-12	1/8"	\$51.19
N095	49-300-05-12	5/32"	\$51.19
N096	49-300-3-12	3/16"	\$51.19
N097	49-300-07-12	7/32"	\$51.19
N098	49-300-4-12	1/4"	\$51.19
N099	49-300-09-12	9/32"	\$51.19
N100	49-300-5-12	5/16"	\$51.19
N101	49-300-011-12	11/32"	\$51.19
N102	49-300-6-12	3/8"	\$51.19
N103	49-300-8-12	1/2"	\$51.19



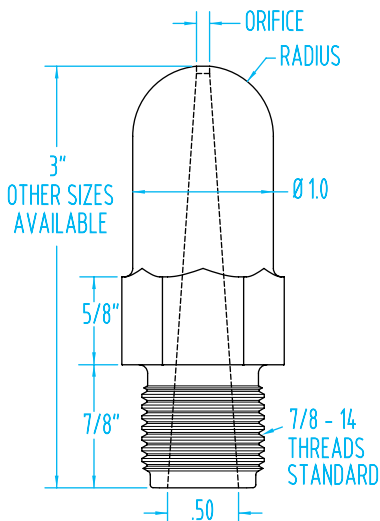
3" Extended Nylon Nozzle Tips

1/2" Radius

Quick#	Part#	Orifice	Price
N104	49-300-1-8N	1/16"	\$51.19
N105	49-300-03-8N	3/32"	\$51.19
N106	49-300-2-8N	1/8"	\$51.19
N107	49-300-05-8N	5/32"	\$51.19
N108	49-300-3-8N	3/16"	\$51.19
N109	49-300-07-8N	7/32"	\$51.19
N110	49-300-4-8N	1/4"	\$51.19
N111	49-300-09-8N	9/32"	\$51.19
N112	49-300-5-8N	5/16"	\$51.19
N113	49-300-6-8N	3/8"	\$51.19

3/4" Radius

Quick#	Part#	Orifice	Price
N114	49-300-1-12N	1/16"	\$51.19
N115	49-300-03-12N	3/32"	\$51.19
N116	49-300-2-12N	1/8"	\$51.19
N117	49-300-05-12N	5/32"	\$51.19
N118	49-300-3-12N	3/16"	\$51.19
N119	49-300-07-12N	7/32"	\$51.19
N120	49-300-4-12N	1/4"	\$51.19
N121	49-300-09-12N	9/32"	\$51.19
N122	49-300-5-12N	5/16"	\$51.19
N123	49-300-6-12N	3/8"	\$51.19



3" Extended Full-Taper Nozzle Tips

1/2" Radius

Quick#	Part#	Orifice	Price
N124	49-300-1-8ABS	1/16"	\$66.01
N125	49-300-03-8ABS	3/32"	\$66.01
N126	49-300-2-8ABS	1/8"	\$66.01
N127	49-300-05-8ABS	5/32"	\$66.01
N128	49-300-3-8ABS	3/16"	\$66.01
N129	49-300-07-8ABS	7/32"	\$66.01
N130	49-300-4-8ABS	1/4"	\$66.01
N131	49-300-09-8ABS	9/32"	\$66.01
N132	49-300-5-8ABS	5/16"	\$66.01
N133	49-300-6-8ABS	3/8"	\$66.01

3/4" Radius

Quick#	Part#	Orifice	Price
N134	49-300-1-12ABS	1/16"	\$66.01
N135	49-300-03-12ABS	3/32"	\$66.01
N136	49-300-2-12ABS	1/8"	\$66.01
N137	49-300-05-12ABS	5/32"	\$66.01
N138	49-300-3-12ABS	3/16"	\$66.01
N139	49-300-07-12ABS	7/32"	\$66.01
N140	49-300-4-12ABS	1/4"	\$66.01
N141	49-300-09-12ABS	9/32"	\$66.01
N142	49-300-5-12ABS	5/16"	\$66.01
N143	49-300-6-12ABS	3/8"	\$66.01

Removeable Nozzle Tips

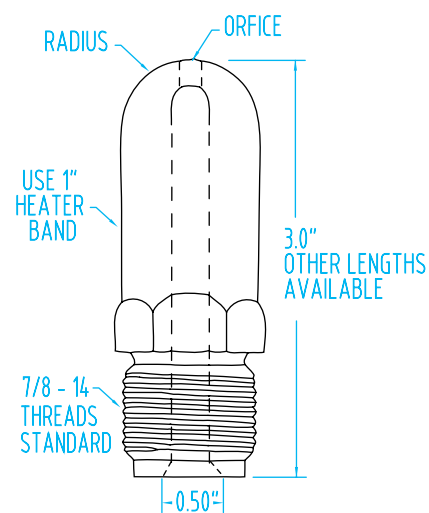
3" Extended Fast Heat Transfer Nozzle Tips

1/2" Radius

Quick#	Part#	Orifice	Price
N144	59B-300-1-8	1/16"	\$76.79
N145	59B-300-03-8	3/32"	\$76.79
N146	59B-300-2-8	1/8"	\$76.79
N147	59B-300-05-8	5/32"	\$76.79
N148	59B-300-3-8	3/16"	\$76.79
N149	59B-300-07-8	7/32"	\$76.79
N150	59B-300-4-8	1/4"	\$76.79
N151	59B-300-09-8	9/32"	\$76.79
N152	59B-300-5-8	5/16"	\$76.79
N153	59B-300-011-8	11/32"	\$76.79
N154	59B-300-6-8	3/8"	\$76.79
N155	59B-300-8-8	1/2"	\$76.79

3/4" Radius

Quick#	Part#	Orifice	Price
N156	59B-300-1-12	1/16"	\$76.79
N157	59B-300-03-12	3/32"	\$76.79
N158	59B-300-2-12	1/8"	\$76.79
N159	59B-300-05-12	5/32"	\$76.79
N160	59B-300-3-12	3/16"	\$76.79
N161	59B-300-07-12	7/32"	\$76.79
N162	59B-300-4-12	1/4"	\$76.79
N163	59B-300-09-12	9/32"	\$76.79
N164	59B-300-5-12	5/16"	\$76.79
N165	59B-300-011-12	11/32"	\$76.79
N166	59B-300-6-12	3/8"	\$76.79
N167	59B-300-8-12	1/2"	\$76.79



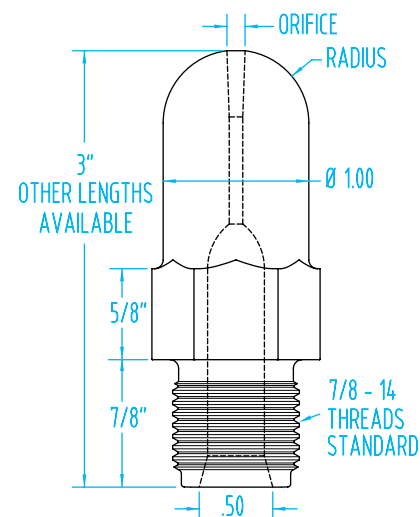
3" Extended Fast Heat Transfer Nylon Nozzle Tips

1/2" Radius

Quick#	Part#	Orifice	Price
N236	59B-300-1-8N	1/16"	\$76.79
N237	59B-300-03-8N	3/32"	\$76.79
N238	59B-300-2-8N	1/8"	\$76.79
N239	59B-300-05-8N	5/32"	\$76.79
N240	59B-300-3-8N	3/16"	\$76.79
N241	59B-300-07-8N	7/32"	\$76.79
N242	59B-300-4-8N	1/4"	\$76.79
N243	59B-300-09-8N	9/32"	\$76.79
N244	59B-300-5-8N	5/16"	\$76.79
N245	59B-300-6-8N	3/8"	\$76.79

3/4" Radius

Quick#	Part#	Orifice	Price
N246	59B-300-1-12N	1/16"	\$76.79
N247	59B-300-03-12N	3/32"	\$76.79
N248	59B-300-2-12N	1/8"	\$76.79
N249	59B-300-05-12N	5/32"	\$76.79
N250	59B-300-3-12N	3/16"	\$76.79
N251	59B-300-07-12N	7/32"	\$76.79
N252	59B-300-4-12N	1/4"	\$76.79
N253	59B-300-09-12N	9/32"	\$76.79
N254	59B-300-5-12N	5/16"	\$76.79
N255	59B-300-6-12N	3/8"	\$76.79



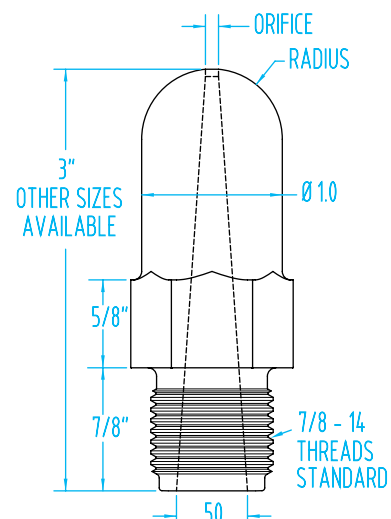
3" Extended Fast Heat Transfer Full-Taper Nozzle Tips

1/2" Radius

Quick#	Part#	Orifice	Price
N256	59B-300-1-8ABS	1/16"	\$91.61
N257	59B-300-03-8ABS	3/32"	\$91.61
N258	59B-300-2-8ABS	1/8"	\$91.61
N259	59B-300-05-8ABS	5/32"	\$91.61
N260	59B-300-3-8ABS	3/16"	\$91.61
N261	59B-300-07-8ABS	7/32"	\$91.61
N262	59B-300-4-8ABS	1/4"	\$91.61
N263	59B-300-09-8ABS	9/32"	\$91.61
N264	59B-300-5-8ABS	5/16"	\$91.61
N265	59B-300-6-8ABS	3/8"	\$91.61

3/4" Radius

Quick#	Part#	Orifice	Price
N266	59B-300-1-12ABS	1/16"	\$91.61
N267	59B-300-03-12ABS	3/32"	\$91.61
N268	59B-300-2-12ABS	1/8"	\$91.61
N269	59B-300-05-12ABS	5/32"	\$91.61
N270	59B-300-3-12ABS	3/16"	\$91.61
N271	59B-300-07-12ABS	7/32"	\$91.61
N272	59B-300-4-12ABS	1/4"	\$91.61
N273	59B-300-09-12ABS	9/32"	\$91.61
N274	59B-300-5-12ABS	5/16"	\$91.61
N275	59B-300-6-12ABS	3/8"	\$91.61



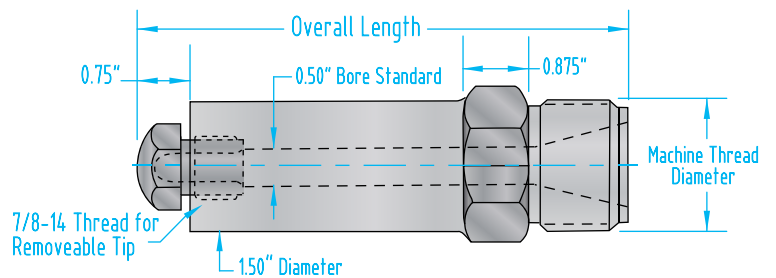
Two-Piece Nozzles

EMI's nozzles feature better-than-OEM specifications and perfect finishes...no pits, burrs or rough edges—yet they are priced low and guaranteed for two years. Each must pass our 100% Quality Assurance standards. Two-piece nozzles are made of 4150 tool steel.



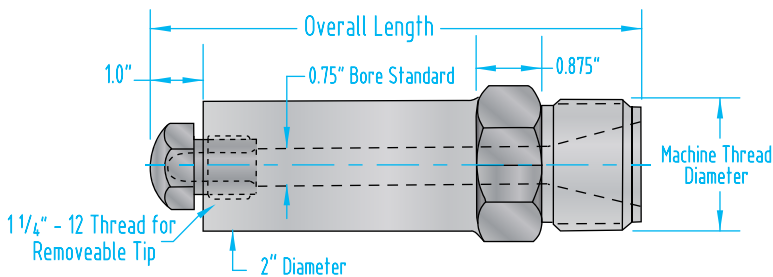
How to Order Two-Piece Nozzles:

1. Find your machine thread diameter.
2. Specify nozzle thread diameter, pitch and thread length. Also specify rear opening and nozzle overall length.
3. If thermocouple holes are required, specify location and tap size (additional fee applies).



Big Bore Two-Piece Nozzles & Tips

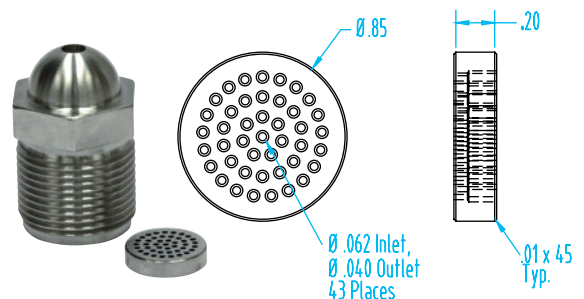
If you're molding large, high-ounce capacity parts, EMI's big bores will give you dramatically improved flow area! Featuring a $\frac{3}{4}$ " I.D. bore size versus $\frac{1}{2}$ " standard units, providing higher throughput. Minimizes material stresses and pressure related issues.



MFD: Mixer/Filter/Dispersion Disc

- Used with custom bored Large Bore Nozzle Tips
- Low cost but effective color dispersion disc
- Provides the benefits of mixing and filtration of foreign particles
- No extra component is required
- Works with any standard EMI Large Bore Nozzle Adaptor

Large Bore Nozzle Tip to accept MFD Disc.....\$72 each.
MFD Disc.....\$47 each.



Two-Piece Nozzles

Arburg

Thread Diameter-Pitch	Rear Opening	Thread Length	Machine Thread Diameter	Overall Nozzle Length																			
				4"	5"	5½"	6"	6½"	7"	7½"	8"	8½"	9"	9½"	10"	10½"	11"	11½"	12"	12½"	13"		
35 x 1.5mm	0.71	0.98	Up to 2" Up to 50mm																				
35(LH) x 2mm	0.71	0.98																					
45 x 1.5mm	0.87	1.18																					
45 x 1.5mm	0.99	1.18																					
45(LH) x 1.5mm	0.99	1.18																					
45(LH) x 2mm	0.71	1.44			\$72	\$83	\$90	\$96	\$109	\$121	\$133	\$142	\$147	\$151	\$170	\$187	\$200	\$213	\$225	\$237	\$250	\$261	
45(LH) x 2mm	0.87	1.28																					
45(LH) x 2mm	0.99	1.19																					
45(LH) x 2mm	1.18	1.28																					
45(LH) x 2mm	1.21	2.00																					
50(LH) x 2mm	1.18	1.44	2½"-2¾" 51mm-70mm																				
50(LH) x 2mm	1.38	1.44																					
52 x 2mm	1.18	1.81																					
52 x 2mm	1.38	1.81																					
52 x 2mm	1.58	1.06			\$108	\$125	\$135	\$143	\$156	\$170	\$174	\$177	\$198	\$218	\$230	\$241	\$250	\$256	\$280	\$302	\$313	\$325	
55 x 2mm	1.18	1.44																					
55(LH) x 2mm	1.58	1.44																					
60(LH) x 2mm	1.78	1.44																					
Big Bore & Female Thread	Any	Any	Any	\$157	\$182	\$194	\$207	\$218	\$230	\$239	\$250	\$260	\$269	\$282	\$294	\$300	\$307	\$328	\$346	\$367	\$385		

Autojector

Thread Diameter-Pitch	Rear Opening	Thread Length	Machine Thread Diameter	Overall Nozzle Length																			
				4"	5"	5½"	6"	6½"	7"	7½"	8"	8½"	9"	9½"	10"	10½"	11"	11½"	12"	12½"	13"		
40 x 2mm	0.82	1.06	Up to 2" Up to 50mm																				
1½"-12	1.00	¾"																					
1¾"-12	0.78	⅞"																					
1¾"-12	1.25	⅞"																					
2"-12	1.50	1⅝"	2½"-2¾" 51mm-70mm																				
2¼"-12	1.79	1"			\$108	\$125	\$135	\$143	\$156	\$170	\$174	\$177	\$198	\$218	\$230	\$241	\$250	\$256	\$280	\$302	\$313	\$325	
Big Bore & Female Thread	Any	Any	Any	\$157	\$182	\$194	\$207	\$218	\$230	\$239	\$250	\$260	\$269	\$282	\$294	\$300	\$307	\$328	\$346	\$367	\$385		

Two-Piece Nozzles

Battenfeld

Thread Diameter-Pitch	Rear Opening	Thread Length	Machine Thread Diameter	Overall Nozzle Length																				
				4"	5"	5½"	6"	6½"	7"	7½"	8"	8½"	9"	9½"	10"	10½"	11"	11½"	12"	12½"	13"			
35 x 2mm	0.83	0.98	Up to 2" Up to 50mm																					
35 x 2mm	0.75	0.91																						
35 x 2mm	0.87	0.98																						
35 x 2mm	0.99	1.06																						
35 x 2mm	1.18	1.26																						
40 x 2mm	0.79	1.97																						
40 x 2mm	0.99	0.98																						
40 x 2mm	1.19	0.98																						
45 x 2mm	1.38	0.98																						
45 x 2mm	1.38	1.19																						
55 x 3mm	1.26	1.56	2⅛"-2¾" 51mm-70mm																					
55 x 3mm	1.30	1.50																						
65 x 3mm	1.88	1.81																						
65 x 3mm	1.97	1.97																						
65 x 3mm Trap	1.89	1.85																						
90 x 4mm Trap	1.89	2.36	2⅞"-3¼" 71mm-85mm	\$157	\$182	\$194	\$207	\$218	\$230	\$239	\$250	\$260	\$269	\$282	\$294	\$300	\$307	\$328	\$346	\$367	\$385			
Big Bore & Female Thread	Any	Any	Any	\$157	\$182	\$194	\$207	\$218	\$230	\$239	\$250	\$260	\$269	\$282	\$294	\$300	\$307	\$328	\$346	\$367	\$385			

Boy

Thread Diameter-Pitch	Rear Opening	Thread Length	Machine Thread Diameter	Overall Nozzle Length																				
				4"	5"	5½"	6"	6½"	7"	7½"	8"	8½"	9"	9½"	10"	10½"	11"	11½"	12"	12½"	13"			
24 x 1.5mm	0.55	1.08	Up to 2" Up to 50mm																					
24 x 1.5mm	0.63	1.08																						
24 x 2mm	0.54	1.12																						
33 x 1.5mm	0.87	0.88																						
33 x 1.5mm	0.63	0.88																						
33 x 1.5mm	0.94	0.88																						
35 x 1.5mm	0.63	1.46																						
35 x 1.5mm	0.98	1.46																						
2"-12	1.00	1⅞"	2⅛"-2¾" 51mm-70mm	\$108	\$125	\$135	\$143	\$156	\$170	\$174	\$177	\$198	\$218	\$230	\$241	\$250	\$256	\$280	\$302	\$313	\$325			
Big Bore & Female Thread	Any	Any	Any	\$157	\$182	\$194	\$207	\$218	\$230	\$239	\$250	\$260	\$269	\$282	\$294	\$300	\$307	\$328	\$346	\$367	\$385			

Two-Piece Nozzles

Cincinnati Milacron

Thread Diameter-Pitch	Rear Opening	Thread Length	Machine Thread Diameter	Overall Nozzle Length																			
				4"	5"	5½"	6"	6½"	7"	7½"	8"	8½"	9"	9½"	10"	10½"	11"	11½"	12"	12½"	13"		
1½"-12	0.83	0.98	Up to 2" Up to 50mm																				
1½"-12	0.75	0.91																					
1½"-12	0.87	0.98																					
1½"-12	0.99	1.06																					
1½"-12	1.18	1.26																					
1¾"-8	0.79	1.97																					
2"-8	0.99	0.98	2⅞"-2¾" 51mm-70mm																				
2"-8	1.19	0.98																					
2¼"-8	1.38	0.98																					
3¼"-8	1.38	1.19	2⅞"-3¼" 71mm-85mm	\$157	\$182	\$194	\$207	\$218	\$230	\$239	\$250	\$260	\$269	\$282	\$294	\$300	\$307	\$328	\$346	\$367	\$385		
Big Bore & Female Thread	Any	Any	Any	\$157	\$182	\$194	\$207	\$218	\$230	\$239	\$250	\$260	\$269	\$282	\$294	\$300	\$307	\$328	\$346	\$367	\$385		

Demag

Thread Diameter-Pitch	Rear Opening	Thread Length	Machine Thread Diameter	Overall Nozzle Length																		
				4"	5"	5½"	6"	6½"	7"	7½"	8"	8½"	9"	9½"	10"	10½"	11"	11½"	12"	12½"	13"	
60 x 3mm	0.99	1.50	2⅞"-2¾" 51mm-70mm	\$108	\$125	\$135	\$143	\$156	\$170	\$174	\$177	\$198	\$218	\$230	\$241	\$250	\$256	\$280	\$302	\$313	\$325	
Big Bore & Female Thread	Any	Any	Any	\$157	\$182	\$194	\$207	\$218	\$230	\$239	\$250	\$260	\$269	\$282	\$294	\$300	\$307	\$328	\$346	\$367	\$385	

Engel

Thread Diameter-Pitch	Rear Opening	Thread Length	Machine Thread Diameter	Overall Nozzle Length																			
				4"	5"	5½"	6"	6½"	7"	7½"	8"	8½"	9"	9½"	10"	10½"	11"	11½"	12"	12½"	13"		
1¼"-10	0.88	1¼"	Up to 2" Up to 50mm																				
1¾"-8	0.88	1⅜"																					
1¾"-8	0.50	1⅞"																					
28 x 1.5mm	0.99	1.26																					
40 x 3mm	1.18	1.39																					
40 x 3mm	1.25	1.15																					
40 x 2mm	0.98	1.18																					
40 x 2mm	0.98	0.94																					
45 x 1.5mm	1.18	1.06																					
Big Bore & Female Thread	Any	Any		Any	\$157	\$182	\$194	\$207	\$218	\$230	\$239	\$250	\$260	\$269	\$282	\$294	\$300	\$307	\$328	\$346	\$367	\$385	

Need something custom? Click here for our Two-Piece Nozzle Order Form!

Two-Piece Nozzles

HPM

Thread Diameter-Pitch	Rear Opening	Thread Length	Machine Thread Diameter	Overall Nozzle Length																		
				4"	5"	5½"	6"	6½"	7"	7½"	8"	8½"	9"	9½"	10"	10½"	11"	11½"	12"	12½"	13"	
1¼"-8	0.75	1¾"	Up to 2" Up to 50mm	\$72	\$83	\$90	\$96	\$109	\$121	\$133	\$142	\$147	\$151	\$170	\$187	\$200	\$213	\$225	\$237	\$250	\$261	
2½"-8	1.00	1⅝"	2⅛"-2¾" 51mm-70mm	\$108	\$125	\$135	\$143	\$156	\$170	\$174	\$177	\$198	\$218	\$230	\$241	\$250	\$256	\$280	\$302	\$313	\$325	
2¾"-8	1.00	1⅞"	2⅞"-3¼" 71mm-85mm																			
3⅛"-8	0.50	1⅝"																				
3⅛"-8	1.00	2"																				
3⅛"-8	1.00	1¾"																				
1¼"-8	0.63																					
1⅝"-12	0.50	1"																				
1⅝"-12	0.75	1"			\$157	\$182	\$194	\$207	\$218	\$230	\$239	\$250	\$260	\$269	\$282	\$294	\$300	\$307	\$328	\$346	\$367	\$385
3⅛"-8	0.75	1⅝"																				
1⅝"-12	0.63	¾"																				
1⅝"-12	0.75	¾"																				
1⅝"-12	0.50	1⅝"																				
2½"-8	1.00																					
3⅛"-8	1.00																					
Big Bore & Female Thread	Any	Any		Any	\$157	\$182	\$194	\$207	\$218	\$230	\$239	\$250	\$260	\$269	\$282	\$294	\$300	\$307	\$328	\$346	\$367	\$385

Husky

Thread Diameter-Pitch	Rear Opening	Thread Length	Machine Thread Diameter	Overall Nozzle Length																		
				4"	5"	5½"	6"	6½"	7"	7½"	8"	8½"	9"	9½"	10"	10½"	11"	11½"	12"	12½"	13"	
1¼"-8	0.38	1⅝"	Up to 2" Up to 50mm																			
1¼"-8	0.63	1⅝"			\$72	\$83	\$90	\$96	\$109	\$121	\$133	\$142	\$147	\$151	\$170	\$187	\$200	\$213	\$225	\$237	\$250	\$261
1¼"-8	1.00	1⅝"																				
45 x 3mm	0.63	1.75	2⅛"-2¾" 51mm-70mm																			
45 x 3mm	0.63	2.05			\$108	\$125	\$135	\$143	\$156	\$170	\$174	\$177	\$198	\$218	\$230	\$241	\$250	\$256	\$280	\$302	\$313	\$325
45 x 3mm	0.89	1.75																				
64 x 4mm	0.63	2.52	2⅞"-3¼" 71mm-85mm	\$157	\$182	\$194	\$207	\$218	\$230	\$239	\$250	\$260	\$269	\$282	\$294	\$300	\$307	\$328	\$346	\$367	\$385	
64 x 4mm	0.87	2.36	2⅛"-2¾" 51mm-70mm	\$108	\$125	\$135	\$143	\$156	\$170	\$174	\$177	\$198	\$218	\$230	\$241	\$250	\$256	\$280	\$302	\$313	\$325	
72 x 4mm	0.63	2.52	Up to 2" Up to 50mm	\$72	\$83	\$90	\$96	\$109	\$121	\$133	\$142	\$147	\$151	\$170	\$187	\$200	\$213	\$225	\$237	\$250	\$261	
Big Bore & Female Thread	Any	Any	Any	\$157	\$182	\$194	\$207	\$218	\$230	\$239	\$250	\$260	\$269	\$282	\$294	\$300	\$307	\$328	\$346	\$367	\$385	

Two-Piece Nozzles

JSW

Thread Diameter-Pitch	Rear Opening	Thread Length	Machine Thread Diameter	Overall Nozzle Length																			
				4"	5"	5½"	6"	6½"	7"	7½"	8"	8½"	9"	9½"	10"	10½"	11"	11½"	12"	12½"	13"		
44 x 3mm	0.75	1⅜"	Up to 2" Up to 50mm	\$72	\$83	\$90	\$96	\$109	\$121	\$133	\$142	\$147	\$151	\$170	\$187	\$200	\$213	\$225	\$237	\$250	\$261		
45 x 3mm	0.50	1⅝"																					
50 x 3mm	0.75	1⅝"	2⅛"-2¾" 51mm-70mm	\$108	\$125	\$135	\$143	\$156	\$170	\$174	\$177	\$198	\$218	\$230	\$241	\$250	\$256	\$280	\$302	\$313	\$325		
55 x 3mm	0.75	1⅞"																					
55 x 3mm																							
55 x 3mm																							
Big Bore & Female Thread	Any	Any	Any	\$157	\$182	\$194	\$207	\$218	\$230	\$239	\$250	\$260	\$269	\$282	\$294	\$300	\$307	\$328	\$346	\$367	\$385		

Kawaguchi

Thread Diameter-Pitch	Rear Opening	Thread Length	Machine Thread Diameter	Overall Nozzle Length																			
				4"	5"	5½"	6"	6½"	7"	7½"	8"	8½"	9"	9½"	10"	10½"	11"	11½"	12"	12½"	13"		
1"-12	0.63	1"	Up to 2" Up to 50mm																				
1¼"-12	0.94	1⅜"																					
1¼"-12	0.88	1⅜"																					
1¾"-8	0.95	1½"																					
1¾"-8	0.94	1⅝"																					
30 x 1.5mm	0.47	1.13																					
30 x 3mm	0.47	1.88																					
30 x 3.5mm	0.47	1.63																					
38 x 3mm	0.56	1.63																					
45 x 3mm	0.63	1.50																					
55 x 3mm	0.75	1.94	2⅛"-2¾" 51mm-70mm	\$108	\$125	\$135	\$143	\$156	\$170	\$174	\$177	\$198	\$218	\$230	\$241	\$250	\$256	\$280	\$302	\$313	\$325		
Big Bore & Female Thread	Any	Any	Any	\$157	\$182	\$194	\$207	\$218	\$230	\$239	\$250	\$260	\$269	\$282	\$294	\$300	\$307	\$328	\$346	\$367	\$385		

Klockner Windsor

Thread Diameter-Pitch	Rear Opening	Thread Length	Machine Thread Diameter	Overall Nozzle Length																			
				4"	5"	5½"	6"	6½"	7"	7½"	8"	8½"	9"	9½"	10"	10½"	11"	11½"	12"	12½"	13"		
1"-11 BSPP	0.42	1½"	Up to 2" Up to 50mm																				
30 x 2mm	0.39	0.78																					
30 x 1.5mm	0.32	0.63																					
30 x 1.5mm	0.60	0.63																					
52 x 3mm	0.64	3.28	2⅛"-2¾" 51mm-70mm	\$108	\$125	\$135	\$143	\$156	\$170	\$174	\$177	\$198	\$218	\$230	\$241	\$250	\$256	\$280	\$302	\$313	\$325		
Big Bore & Female Thread	Any	Any	Any	\$157	\$182	\$194	\$207	\$218	\$230	\$239	\$250	\$260	\$269	\$282	\$294	\$300	\$307	\$328	\$346	\$367	\$385		

Two-Piece Nozzles

Krauss Maffei

Thread Diameter-Pitch	Rear Opening	Thread Length	Machine Thread Diameter	Overall Nozzle Length																		
				4"	5"	5½"	6"	6½"	7"	7½"	8"	8½"	9"	9½"	10"	10½"	11"	11½"	12"	12½"	13"	
1¼"-12	0.75	1⅜"	Up to 2" Up to 50mm																			
1¾"-8	0.75	1⅝"																				
45 x 2mm	0.71	1.61		\$72	\$83	\$90	\$96	\$109	\$121	\$133	\$142	\$147	\$151	\$170	\$187	\$200	\$213	\$225	\$237	\$250	\$261	
45 x 3mm	0.75	1.63																				
45 x 3mm	1.11	1.38																				
55 x 3mm	1.42	1.31	2⅛"-2¾" 51mm-70mm	\$108	\$125	\$135	\$143	\$156	\$170	\$174	\$177	\$198	\$218	\$230	\$241	\$250	\$256	\$280	\$302	\$313	\$325	
64 x 3mm Female	1.00	1.75	2⅞"-3¼" 71mm-85mm																			
85 x 2mm	2.17	1.57		\$157	\$182	\$194	\$207	\$218	\$230	\$239	\$250	\$260	\$269	\$282	\$294	\$300	\$307	\$328	\$346	\$367	\$385	
110 x 3mm	2.76	2.66																				
Big Bore & Female Thread	Any	Any	Any	\$157	\$182	\$194	\$207	\$218	\$230	\$239	\$250	\$260	\$269	\$282	\$294	\$300	\$307	\$328	\$346	\$367	\$385	

MIR

Thread Diameter-Pitch	Rear Opening	Thread Length	Machine Thread Diameter	Overall Nozzle Length																	
				4"	5"	5½"	6"	6½"	7"	7½"	8"	8½"	9"	9½"	10"	10½"	11"	11½"	12"	12½"	13"
75 x 3mm	1.78	2.07	2⅞"-3¼" 71mm-85mm																		
80 x 3mm	1.97	2.48		\$157	\$182	\$194	\$207	\$218	\$230	\$239	\$250	\$260	\$269	\$282	\$294	\$300	\$307	\$328	\$346	\$367	\$385
Big Bore & Female Thread	Any	Any	Any	\$157	\$182	\$194	\$207	\$218	\$230	\$239	\$250	\$260	\$269	\$282	\$294	\$300	\$307	\$328	\$346	\$367	\$385

Mitsubishi

Thread Diameter-Pitch	Rear Opening	Thread Length	Machine Thread Diameter	Overall Nozzle Length																	
				4"	5"	5½"	6"	6½"	7"	7½"	8"	8½"	9"	9½"	10"	10½"	11"	11½"	12"	12½"	13"
1½"-12	0.93	1⅞"	Up to 2" Up to 50mm																		
1½"-12	0.59	1⅞"		\$72	\$83	\$90	\$96	\$109	\$121	\$133	\$142	\$147	\$151	\$170	\$187	\$200	\$213	\$225	\$237	\$250	\$261
1½"-12	0.75	1⅞"																			
2¼"-8 Female	0.93	1⅞"	2⅞"-3¼" 71mm-85mm	\$157	\$182	\$194	\$207	\$218	\$230	\$239	\$250	\$260	\$269	\$282	\$294	\$300	\$307	\$328	\$346	\$367	\$385
Big Bore & Female Thread	Any	Any	Any	\$157	\$182	\$194	\$207	\$218	\$230	\$239	\$250	\$260	\$269	\$282	\$294	\$300	\$307	\$328	\$346	\$367	\$385

Two-Piece Nozzles

Natco

Thread Diameter-Pitch	Rear Opening	Thread Length	Machine Thread Diameter	Overall Nozzle Length																	
				4"	5"	5½"	6"	6½"	7"	7½"	8"	8½"	9"	9½"	10"	10½"	11"	11½"	12"	12½"	13"
3"-8	1.75	1½"	2⅞"-3¼" 71mm-85mm	\$157	\$182	\$194	\$207	\$218	\$230	\$239	\$250	\$260	\$269	\$282	\$294	\$300	\$307	\$328	\$346	\$367	\$385
2¼"-8	0.60	1⅛"																			
Big Bore & Female Thread	Any	Any	Any	\$157	\$182	\$194	\$207	\$218	\$230	\$239	\$250	\$260	\$269	\$282	\$294	\$300	\$307	\$328	\$346	\$367	\$385

Negri Bossi

Thread Diameter-Pitch	Rear Opening	Thread Length	Machine Thread Diameter	Overall Nozzle Length																		
				4"	5"	5½"	6"	6½"	7"	7½"	8"	8½"	9"	9½"	10"	10½"	11"	11½"	12"	12½"	13"	
30 x 1.5mm	0.75	0.88	Up to 2" Up to 50mm	\$72	\$83	\$90	\$96	\$109	\$121	\$133	\$142	\$147	\$151	\$170	\$187	\$200	\$213	\$225	\$237	\$250	\$261	
40 x 2mm	1.11	1.06	2⅞"-2¾" 51mm-70mm																			
52 x 2.5mm	1.11	1.52																				
58 x 2mm	1.38	1.50																				
58 x 2mm	1.50	1.77																				
58 x 3mm	1.73	1.50			\$108	\$125	\$135	\$143	\$156	\$170	\$174	\$177	\$198	\$218	\$230	\$241	\$250	\$256	\$280	\$302	\$313	\$325
58 x 3mm	1.50	1.50																				
64 x 3mm	1.34	1.54																				
64 x 3mm	1.66	2.36																				
64 x 3mm	1.77	1.54																				
70 x 3mm	2.21	1.65		2⅞"-3¼" 71mm-85mm																		
70 x 2mm	1.77	2.36																				
70 x 2mm	1.77	1.57			\$157	\$182	\$194	\$207	\$218	\$230	\$239	\$250	\$260	\$269	\$282	\$294	\$300	\$307	\$328	\$346	\$367	\$385
72 x 3mm	2.36	1.88																				
82 x 3mm	2.76	2.28																				
Big Bore & Female Thread	Any	Any	Any		\$157	\$182	\$194	\$207	\$218	\$230	\$239	\$250	\$260	\$269	\$282	\$294	\$300	\$307	\$328	\$346	\$367	\$385

Need something custom? [Click here for our Two-Piece Nozzle Order Form!](#)

Two-Piece Nozzles

Netstal

Thread Diameter-Pitch	Rear Opening	Thread Length	Machine Thread Diameter	Overall Nozzle Length																			
				4"	5"	5½"	6"	6½"	7"	7½"	8"	8½"	9"	9½"	10"	10½"	11"	11½"	12"	12½"	13"		
48 x 3mm	1.26	1.30	Up to 2" Up to 50mm																				
48 x 3mm	0.52	1.38		\$72	\$83	\$90	\$96	\$109	\$121	\$133	\$142	\$147	\$151	\$170	\$187	\$200	\$213	\$225	\$237	\$250	\$261		
Big Bore & Female Thread	Any	Any	Any	\$157	\$182	\$194	\$207	\$218	\$230	\$239	\$250	\$260	\$269	\$282	\$294	\$300	\$307	\$328	\$346	\$367	\$385		

New Britain

Thread Diameter-Pitch	Rear Opening	Thread Length	Machine Thread Diameter	Overall Nozzle Length																		
				4"	5"	5½"	6"	6½"	7"	7½"	8"	8½"	9"	9½"	10"	10½"	11"	11½"	12"	12½"	13"	
45 x 4mm	0.47	1.89	Up to 2" Up to 50mm	\$72	\$83	\$90	\$96	\$109	\$121	\$133	\$142	\$147	\$151	\$170	\$187	\$200	\$213	\$225	\$237	\$250	\$261	
55 x 3mm	0.75	1.50	2⅛"-2¾" 51mm-70mm																			
55 x 3mm	1.26	1.61		\$108	\$125	\$135	\$143	\$156	\$170	\$174	\$177	\$198	\$218	\$230	\$241	\$250	\$256	\$280	\$302	\$313	\$325	
Big Bore & Female Thread	Any	Any	Any	\$157	\$182	\$194	\$207	\$218	\$230	\$239	\$250	\$260	\$269	\$282	\$294	\$300	\$307	\$328	\$346	\$367	\$385	

Newbury

Thread Diameter-Pitch	Rear Opening	Thread Length	Machine Thread Diameter	Overall Nozzle Length																	
				4"	5"	5½"	6"	6½"	7"	7½"	8"	8½"	9"	9½"	10"	10½"	11"	11½"	12"	12½"	13"
48 x 3mm	1½"-12	1¾"	Up to 2" Up to 50mm	\$72	\$83	\$90	\$96	\$109	\$121	\$133	\$142	\$147	\$151	\$170	\$187	\$200	\$213	\$225	\$237	\$250	\$261
Big Bore & Female Thread	Any	Any	Any	\$157	\$182	\$194	\$207	\$218	\$230	\$239	\$250	\$260	\$269	\$282	\$294	\$300	\$307	\$328	\$346	\$367	\$385

Niigata

Thread Diameter-Pitch	Rear Opening	Thread Length	Machine Thread Diameter	Overall Nozzle Length																		
				4"	5"	5½"	6"	6½"	7"	7½"	8"	8½"	9"	9½"	10"	10½"	11"	11½"	12"	12½"	13"	
40 x 3mm	0.48	1.25	Up to 2" Up to 50mm																			
40 x 3mm	1.18	1.25		\$72	\$83	\$90	\$96	\$109	\$121	\$133	\$142	\$147	\$151	\$170	\$187	\$200	\$213	\$225	\$237	\$250	\$261	
55 x 2mm	1.42	2.02	2⅛"-2¾" 51mm-70mm	\$108	\$125	\$135	\$143	\$156	\$170	\$174	\$177	\$198	\$218	\$230	\$241	\$250	\$256	\$280	\$302	\$313	\$325	
Big Bore & Female Thread	Any	Any	Any	\$157	\$182	\$194	\$207	\$218	\$230	\$239	\$250	\$260	\$269	\$282	\$294	\$300	\$307	\$328	\$346	\$367	\$385	

Two-Piece Nozzles

Nissei

Thread Diameter-Pitch	Rear Opening	Thread Length	Machine Thread Diameter	Overall Nozzle Length																	
				4"	5"	5½"	6"	6½"	7"	7½"	8"	8½"	9"	9½"	10"	10½"	11"	11½"	12"	12½"	13"
1½"-12	0.51	1¾"	Up to 2" Up to 50mm	\$72	\$83	\$90	\$96	\$109	\$121	\$133	\$142	\$147	\$151	\$170	\$187	\$200	\$213	\$225	\$237	\$250	\$261
20 x 1.5mm	0.32	0.83	2⅛"-2¾" 51mm-70mm	\$108	\$125	\$135	\$143	\$156	\$170	\$174	\$177	\$198	\$218	\$230	\$241	\$250	\$256	\$280	\$302	\$313	\$325
35 x 2mm	0.79	0.94																			
35 x 2mm	0.79	1.44																			
35 x 2mm	0.79	1.93																			
40 x 2mm	0.79	1.50																			
50 x 2mm	0.99	1.61																			
50 x 2mm	1.03	1.97																			
60 x 2mm	1.19	1.75																			
60 x 2mm	1.85	1.85																			
60 x 3mm	1.02	1.50																			
80 x 2mm	1.58	3.23	2⅞"-3¼" 71mm-85mm	\$157	\$182	\$194	\$207	\$218	\$230	\$239	\$250	\$260	\$269	\$282	\$294	\$300	\$307	\$328	\$346	\$367	\$385
Big Bore & Female Thread	Any	Any	Any	\$157	\$182	\$194	\$207	\$218	\$230	\$239	\$250	\$260	\$269	\$282	\$294	\$300	\$307	\$328	\$346	\$367	\$385

Sandretto

Thread Diameter-Pitch	Rear Opening	Thread Length	Machine Thread Diameter	Overall Nozzle Length																	
				4"	5"	5½"	6"	6½"	7"	7½"	8"	8½"	9"	9½"	10"	10½"	11"	11½"	12"	12½"	13"
1¾"-8	0.75	1⅞"	Up to 2" Up to 50mm	\$72	\$83	\$90	\$96	\$109	\$121	\$133	\$142	\$147	\$151	\$170	\$187	\$200	\$213	\$225	\$237	\$250	\$261
50 x 3mm	1.38	1.33	2⅛"-2¾" 51mm-70mm	\$108	\$125	\$135	\$143	\$156	\$170	\$174	\$177	\$198	\$218	\$230	\$241	\$250	\$256	\$280	\$302	\$313	\$325
55 x 3mm	1.59	2.20																			
Big Bore & Female Thread	Any	Any	Any	\$157	\$182	\$194	\$207	\$218	\$230	\$239	\$250	\$260	\$269	\$282	\$294	\$300	\$307	\$328	\$346	\$367	\$385

Stokes

Thread Diameter-Pitch	Rear Opening	Thread Length	Machine Thread Diameter	Overall Nozzle Length																	
				4"	5"	5½"	6"	6½"	7"	7½"	8"	8½"	9"	9½"	10"	10½"	11"	11½"	12"	12½"	13"
1¾"-8	0.75	1⅞"	Up to 2" Up to 50mm	\$72	\$83	\$90	\$96	\$109	\$121	\$133	\$142	\$147	\$151	\$170	\$187	\$200	\$213	\$225	\$237	\$250	\$261
1¾"-8	1.25	1⅞"																			
1¾"-8	1.38	1⅞"																			
2¼"-8	1.63	1⅞"	2⅛"-2¾" 51mm-70mm	\$108	\$125	\$135	\$143	\$156	\$170	\$174	\$177	\$198	\$218	\$230	\$241	\$250	\$256	\$280	\$302	\$313	\$325
Big Bore & Female Thread	Any	Any	Any	\$157	\$182	\$194	\$207	\$218	\$230	\$239	\$250	\$260	\$269	\$282	\$294	\$300	\$307	\$328	\$346	\$367	\$385

Two-Piece Nozzles

Sumitomo

Thread Diameter-Pitch	Rear Opening	Thread Length	Machine Thread Diameter	Overall Nozzle Length																			
				4"	5"	5½"	6"	6½"	7"	7½"	8"	8½"	9"	9½"	10"	10½"	11"	11½"	12"	12½"	13"		
48 x 2mm	0.48	1.61	Up to 2" Up to 50mm																				
48 x 2mm	1.26	1.31		\$72	\$83	\$90	\$96	\$109	\$121	\$133	\$142	\$147	\$151	\$170	\$187	\$200	\$213	\$225	\$237	\$250	\$261		
68 x 3mm	2.01	1.42	2⅛"-2¾" 51mm-70mm	\$108	\$125	\$135	\$143	\$156	\$170	\$174	\$177	\$198	\$218	\$230	\$241	\$250	\$256	\$280	\$302	\$313	\$325		
Big Bore & Female Thread	Any	Any	Any	\$157	\$182	\$194	\$207	\$218	\$230	\$239	\$250	\$260	\$269	\$282	\$294	\$300	\$307	\$328	\$346	\$367	\$385		

Toshiba

Thread Diameter-Pitch	Rear Opening	Thread Length	Machine Thread Diameter	Overall Nozzle Length																					
				4"	5"	5½"	6"	6½"	7"	7½"	8"	8½"	9"	9½"	10"	10½"	11"	11½"	12"	12½"	13"				
1½"-12	0.38	1"	Up to 2" Up to 50mm																						
1½"-12	0.59	1"		\$72	\$83	\$90	\$96	\$109	\$121	\$133	\$142	\$147	\$151	\$170	\$187	\$200	\$213	\$225	\$237	\$250	\$261				
1¾"-8	0.75	1⅝"																							
3¼"-8	0.99	2⅞"	2⅞"-3¼" 71mm-85mm	\$157	\$182	\$194	\$207	\$218	\$230	\$239	\$250	\$260	\$269	\$282	\$294	\$300	\$307	\$328	\$346	\$367	\$385				
3¼"-8	2.05	2"																							
38 x 1.5mm	0.59	0.96	Up to 2" Up to 50mm	\$72	\$83	\$90	\$96	\$109	\$121	\$133	\$142	\$147	\$151	\$170	\$187	\$200	\$213	\$225	\$237	\$250	\$261				
48 x 1.5mm	1.10	1.61																							
60 x 4mm	1.10	1.61	2⅞"-3¼" 51mm-70mm	\$108	\$125	\$135	\$143	\$156	\$170	\$174	\$177	\$198	\$218	\$230	\$241	\$250	\$256	\$280	\$302	\$313	\$325				
60 x 4mm	1.25	1.61																							
60 x 4mm	1.42	1.61																							
80 x 4mm	0.79	2.00	2⅞"-3¼" 71mm-85mm	\$157	\$182	\$194	\$207	\$218	\$230	\$239	\$250	\$260	\$269	\$282	\$294	\$300	\$307	\$328	\$346	\$367	\$385				
80 x 4mm	1.97	2.96																							
80 x 4mm	2.05	1.97																							
80 x 4mm	2.17	2.94																							
Big Bore & Female Thread	Any	Any	Any	\$157	\$182	\$194	\$207	\$218	\$230	\$239	\$250	\$260	\$269	\$282	\$294	\$300	\$307	\$328	\$346	\$367	\$385				

Need something custom? Click here for our Two-Piece Nozzle Order Form!

Two-Piece Nozzles

Toyo

Thread Diameter-Pitch	Rear Opening	Thread Length	Machine Thread Diameter	Overall Nozzle Length																	
				4"	5"	5½"	6"	6½"	7"	7½"	8"	8½"	9"	9½"	10"	10½"	11"	11½"	12"	12½"	13"
36 x 2mm	0.91	1.26	Up to 2" Up to 50mm																		
42 x 3mm	0.95	1.18		\$72	\$83	\$90	\$96	\$109	\$121	\$133	\$142	\$147	\$151	\$170	\$187	\$200	\$213	\$225	\$237	\$250	\$261
50 x 3mm	1.03	2.09																			
65 x 4mm	1.26	1.61	2⅛"-2¾" 51mm-70mm																		
65 x 4mm	1.58	1.61		\$108	\$125	\$135	\$143	\$156	\$170	\$174	\$177	\$198	\$218	\$230	\$241	\$250	\$256	\$280	\$302	\$313	\$325
Big Bore & Female Thread	Any	Any	Any	\$157	\$182	\$194	\$207	\$218	\$230	\$239	\$250	\$260	\$269	\$282	\$294	\$300	\$307	\$328	\$346	\$367	\$385

Trubor

Thread Diameter-Pitch	Rear Opening	Thread Length	Machine Thread Diameter	Overall Nozzle Length																		
				4"	5"	5½"	6"	6½"	7"	7½"	8"	8½"	9"	9½"	10"	10½"	11"	11½"	12"	12½"	13"	
1¼"-8	0.89	1⅝"	Up to 2" Up to 50mm																			
1¼"-8	0.99	1⅝"		\$72	\$83	\$90	\$96	\$109	\$121	\$133	\$142	\$147	\$151	\$170	\$187	\$200	\$213	\$225	\$237	\$250	\$261	
1¼"-8	1.11	1⅝"																				
1¼"-8	1.23	1⅝"																				
2"-12	1.38	1⅝"	2⅛"-2¾" 51mm-70mm																			
2"-12	1.50	1½"		\$108	\$125	\$135	\$143	\$156	\$170	\$174	\$177	\$198	\$218	\$230	\$241	\$250	\$256	\$280	\$302	\$313	\$325	
2¼"-8	1.63	1½"																				
Big Bore & Female Thread	Any	Any	Any	\$157	\$182	\$194	\$207	\$218	\$230	\$239	\$250	\$260	\$269	\$282	\$294	\$300	\$307	\$328	\$346	\$367	\$385	

UBE

Thread Diameter-Pitch	Rear Opening	Thread Length	Machine Thread Diameter	Overall Nozzle Length																	
				4"	5"	5½"	6"	6½"	7"	7½"	8"	8½"	9"	9½"	10"	10½"	11"	11½"	12"	12½"	13"
1¼"-12	0.76	1⅝"	Up to 2" Up to 50mm	\$72	\$83	\$90	\$96	\$109	\$121	\$133	\$142	\$147	\$151	\$170	\$187	\$200	\$213	\$225	\$237	\$250	\$261
50 x 2mm	1.38	1.42	2⅛"-2¾" 51mm-70mm																		
52 x 5mm	0.89	2.63		\$108	\$125	\$135	\$143	\$156	\$170	\$174	\$177	\$198	\$218	\$230	\$241	\$250	\$256	\$280	\$302	\$313	\$325
56 x 5.5mm	0.99	2.88																			
Big Bore & Female Thread	Any	Any	Any	\$157	\$182	\$194	\$207	\$218	\$230	\$239	\$250	\$260	\$269	\$282	\$294	\$300	\$307	\$328	\$346	\$367	\$385

Two-Piece Nozzles

Van Dorn

Thread Diameter-Pitch	Rear Opening	Thread Length	Machine Thread Diameter	Overall Nozzle Length																		
				4"	5"	5½"	6"	6½"	7"	7½"	8"	8½"	9"	9½"	10"	10½"	11"	11½"	12"	12½"	13"	
7/8"-14	0.38	7/8"	Up to 2" Up to 50mm																			
1¼"-12	0.75	1½"																				
1¼"-12	0.75	1¾"																				
1¼"-12	0.88	1½"																				
1¾"-8	0.38	1¾"																				
1¾"-8	1.25	1¾"																				
1¾"-8	1.25	1½"																				
2½"-8	1.25	1½"	2½"-2¾" 51mm-70mm	\$108	\$125	\$135	\$143	\$156	\$170	\$174	\$177	\$198	\$218	\$230	\$241	\$250	\$256	\$280	\$302	\$313	\$325	
Big Bore & Female Thread	Any	Any	Any	\$157	\$182	\$194	\$207	\$218	\$230	\$239	\$250	\$260	\$269	\$282	\$294	\$300	\$307	\$328	\$346	\$367	\$385	

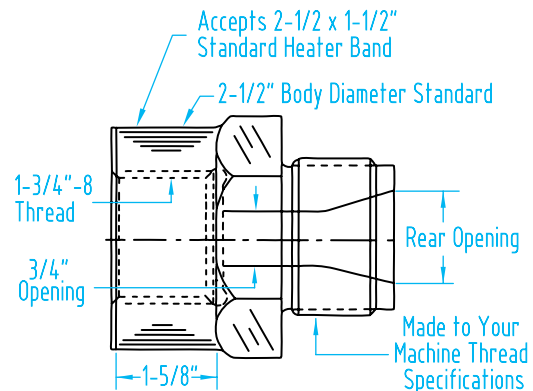
Welltec

Thread Diameter-Pitch	Rear Opening	Thread Length	Machine Thread Diameter	Overall Nozzle Length																		
				4"	5"	5½"	6"	6½"	7"	7½"	8"	8½"	9"	9½"	10"	10½"	11"	11½"	12"	12½"	13"	
30 x 2mm	0.71	1.45	Up to 2" Up to 50mm																			
36 x 2mm	0.40	1.50																				
45 x 3mm	1.30	2.00																				
60 x 3mm	1.57	2.20	2½"-2¾" 51mm-70mm	\$108	\$125	\$135	\$143	\$156	\$170	\$174	\$177	\$198	\$218	\$230	\$241	\$250	\$256	\$280	\$302	\$313	\$325	
Big Bore & Female Thread	Any	Any	Any	\$157	\$182	\$194	\$207	\$218	\$230	\$239	\$250	\$260	\$269	\$282	\$294	\$300	\$307	\$328	\$346	\$367	\$385	

Machine Adaptors; any thread combination available.

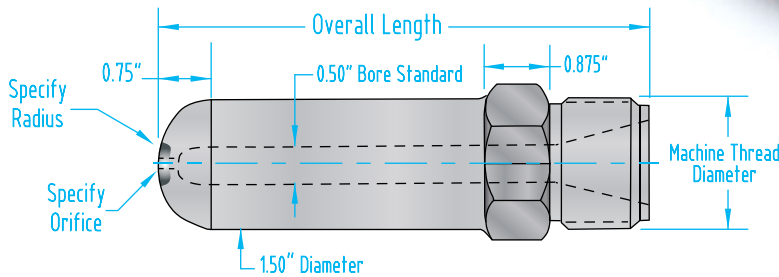
Standardize all your machines to accept standard, stocked 1¾"-8 nozzles, or any other thread you may need.

Machine Adaptor Pricing
\$293
Made to your machine thread specifications.



One-Piece Nozzles

EMI's nozzles feature better-than-OEM specifications and perfect finishes...no pits, burrs or rough edges, yet they are priced low and guaranteed for two years. Each must pass our 100% Quality Assurance standards. One-piece nozzles are made of S-7 tool steel.



How to Order One-Piece Nozzles:

1. Find your machine thread diameter.
2. Specify nozzle thread diameter, pitch and thread length. Also specify rear opening and nozzle overall length.
3. Specify style: (standard, reverse taper, full taper), radius, and orifice.
4. If thermocouple holes are required, specify location and tap size. (extra charge for each T.C. hole will apply)

[Download the One-Piece Nozzle Order Form here!](#)

Pricing for All Molding Machine Makes

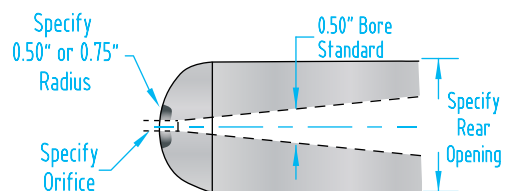
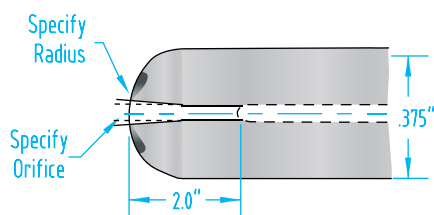
Rear Opening	Thread Length	Machine Thread Diameter	Overall Nozzle Length											
			4½"	5"	6"	7"	8"	9"	10"	11"	12"	13"	14"	15"
Any	Any	Any	\$246	\$251	\$263	\$289	\$315	\$354	\$390	\$430	\$472	\$511	\$550	\$589

Prices for Standard One-Piece Nozzles

Prices for Optional Styles

Nylon / Reverse Taper Standard price + \$27.00

ABS / Full Taper: Call for Pricing



Linear Edge Filters



Filters foreign particles down to .010". Improves homogenization of the melt. Minimizes downtime.

Materials must pass over multiple flutes at the infeed end of the filter element, then pass over the barrier to the discharge flutes. The .010" clearance above the barrier prevents larger particles or unplasticized pellets from passing through the filter, while improving homogenization of the melt. Contaminants are held in the infeed side, preventing plugged sub-gates and hot runner tips. Multiple flutes minimize significant pressure drop. The filter has standard 1½" O.D. nozzle body dimensions, uses standard nozzle tips and heater bands and the nozzle tip is easily removed for cleaning.



\$120, Filter element only; part # LF2. Quick # N344

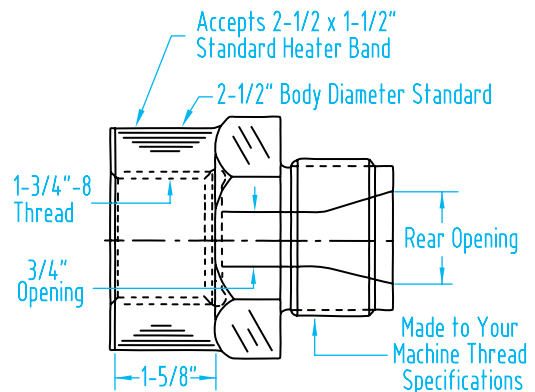
Pricing for All Molding Machine Makes

Type	Overall Nozzle Length																	
	4"	5"	5½"	6"	6½"	7"	7½"	8"	8½"	9"	9½"	10"	10½"	11"	11½"	12"	12½"	13"
Linear Edge Filter Nozzle	\$285	\$303	\$313	\$321	\$335	\$350	\$354	\$356	\$380	\$399	\$413	\$424	\$432	\$439	\$463	\$488	\$499	\$511
Large Bore Filter Nozzle	\$436	\$462	\$475	\$488	\$499	\$512	\$521	\$532	\$543	\$553	\$566	\$579	\$585	\$592	\$614	\$632	\$654	\$673
Linear Edge Filter w/ Cartridge Heater	\$458	\$477	\$489	\$498	\$514	\$529	\$533	\$538	\$562	\$585	\$598	\$612	\$621	\$628	\$655	\$683	\$696	\$709

Machine Adaptors; any thread combination available.

Standardize all your machines to accept standard, stocked 1¼"-8 nozzles, or any other thread you may need.

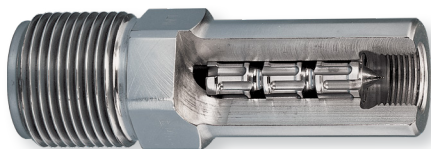
Machine Adaptor Pricing
\$293
Made to your machine thread specifications.



Linear Edge Mixers

Mixes dry colors, liquids, & concentrates with minimal pressure drop. Filters larger impurities.

Available for most any make machine, EMI linear edge mixers are a direct replacement for your existing nozzle. The mixers have multiple flutes over which materials must pass, blending materials together three times on their way to the discharge flutes. A .020" clearance above the barrier minimizes pressure drop and traps foreign particles larger than .020", protecting sub-gates and hot runner tips. The mixer has standard, 1½" O.D. nozzle body dimensions, uses standard nozzle tips and heater bands and the nozzle tip is easily removed for cleaning.



\$144, Mixer element only; part #LM2. Quick # N345

Pricing for All Molding Machine Makes

Type	Overall Nozzle Length																	
	4"	5"	5½"	6"	6½"	7"	7½"	8"	8½"	9"	9½"	10"	10½"	11"	11½"	12"	12½"	13"
Linear Edge Mixer with Nozzle	\$312	\$330	\$339	\$348	\$361	\$377	\$381	\$384	\$404	\$426	\$439	\$451	\$459	\$465	\$490	\$514	\$527	\$538
Large Bore Mixer Nozzle	\$476	\$501	\$514	\$527	\$540	\$551	\$562	\$572	\$582	\$592	\$606	\$618	\$624	\$631	\$653	\$672	\$693	\$712
Linear Edge Mixer w/ Cartridge Heater	\$485	\$504	\$515	\$525	\$541	\$555	\$559	\$564	\$588	\$612	\$625	\$640	\$649	\$655	\$683	\$709	\$723	\$736

Tramp Material Filter Nozzle

An EMI original, this proven design is still widely used throughout the industry. Used instead of an ordinary nozzle, EMI tramp material filters provide great filtration and minimal pressure drop.

Thread diameters over 2³/₄". Call for pricing. Heater bands and nozzle tip sold separately. An additional charge for each thermocouple hole will apply.



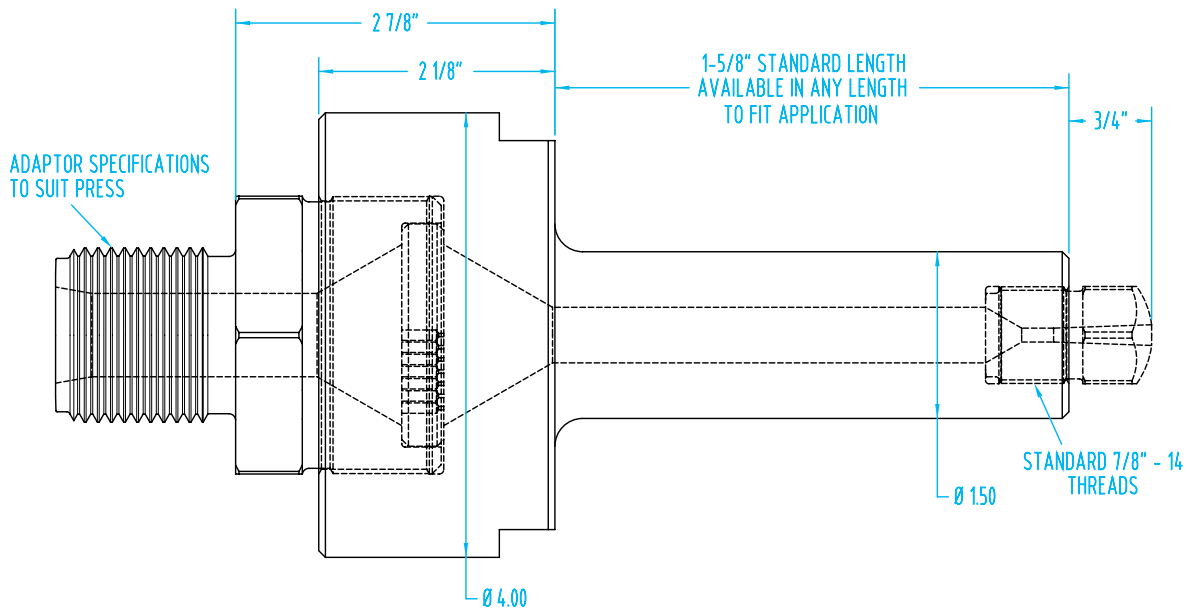
Tramp Material Assembly

Overall Length	Price
up to 7" long	\$772
8"	\$816
9"	\$863
10"	\$913
11"	\$963
12"	\$1,014
13"	\$1,071
14"	\$1,127
15"	\$1,188

Filter Plate

Quick #	Part #	Price
N346	U-TF	\$125 ea.

127 filter plate holes (.093" x .032") filter out most contaminants such as wood, paper, iron, brass, and other material that may pass through traditional ferrous metal hopper magnets.



Heater Bands

Terminal Style: 24" Flex Lead Heater Bands

Quick#	EMI Part#	Price	Inside Diameter	Width	Wattage	Voltage	
H013	EMA412N-2-225	\$34.00	1 1/2"	1 1/4	225	240	
H014	EMA414N-1-275	\$34.00		1 1/2	275	120	
H015	EMA414N-2-275	\$34.00		1 1/2	275	240	
H016	EMA42N-1-300	\$36.00		2	300	120	
H017	EMA42N-2-300	\$36.00		2	300	240	
H018	EMA424N-1-350	\$37.00		2 1/2	350	120	
H019	EMA424N-2-350	\$37.00		2 1/2	350	240	
H020	EMA43N-1-425	\$39.00		3	425	120	
H021	EMA43N-2-425	\$39.00		3	425	240	
H022	EMA434N-1-500	\$41.00		3 1/2	500	120	
H023	EMA434N-2-500	\$41.00		3 1/2	500	240	
H024	EMA44N-1-550	\$41.00		4	550	120	
H025	EMA44N-2-550	\$41.00		4	550	240	
H026	EMA45N-1-650	\$46.00		5	650	120	
H027	EMA45N-2-650	\$46.00		5	650	240	
H028	EMA46N-1-800	\$50.00		6	800	120	
H029	EMA46N-2-800	\$50.00		6	800	240	
H030	EMA614N-1-275	\$34.00		1 3/4"	1 1/2	275	120
H031	EMA614N-2-275	\$34.00			1 1/2	275	240
H032	EMA63N-1-450	\$39.00			3	450	120
H033	EMA63N-2-450	\$39.00	3		450	240	
H034	EMB014N-1-190	\$23.00	2"	1 1/2	190	120	
H035	EMB014N-2-190	\$23.00		1 1/2	190	240	
H036	EMB414N-1-325	\$36.00	2 1/2"	1 1/2	325	120	
H037	EMB414N-2-325	\$36.00		1 1/2	325	240	
H038	EMC014N-1-400	\$37.00	3"	1 1/2	400	120	
H039	EMC014N-2-400	\$37.00		1 1/2	400	240	
H040	EMC214N-2-350	\$37.00	3 1/4"	1 1/2	350	240	
H041	EMC414N-1-400	\$37.00	3 1/2"	1 1/2	400	120	
H042	EMC414N-2-400	\$37.00		1 1/2	400	240	
H043	EMD014N-1-500	\$44.00	4"	1 1/2	500	120	
H044	EMD014N-2-500	\$44.00		1 1/2	500	240	

EMI heater bands are ruggedly constructed to deliver long, reliable service.

Strong, stainless steel braid protects wiring on sizes up to 1 1/2" x 1'. Leads on larger size heater bands are heavy-duty, reinforced fiber glass or post type.

Terminal Style: 24" Stainless Steel Braid Heater Bands

Quick#	EMI Part#	Price	Inside Diameter	Width	Wattage	Voltage
H001	EMA01NW-1-110	\$29.00	1"	1	110	120
H002	EMA01NW-2-110	\$29.00		1	110	240
H003	EMA02NW-1-200	\$31.00		2	200	120
H004	EMA02NW-2-200	\$31.00	2	200	240	
H005	EMA21NW-1-125	\$30.00	1 1/4"	1	125	120
H006	EMA21NW-2-125	\$30.00		1	125	240
H007	EMA214NW-1-200	\$31.00		1 1/2	200	120
H008	EMA214NW-2-200	\$31.00	1 1/2	200	240	
H009	EMA406NW-1-125	\$31.00	1 1/2"	3/4	125	120
H010	EMA406NW-2-125	\$31.00		3/4	125	240
H011	EMA41NW-1-150	\$32.00		1	150	120
H012	EMA41NW-2-150	\$32.00		1	150	240

Terminal Style: Post Type Heater Bands

Quick#	EMI Part#	Price	Inside Diameter	Width	Wattage	Voltage
H045	EMD014F-2-500	\$34.00	4"	1 1/2	500	240
H046	EMD414F-2-750	\$35.00	4 1/2"	1 1/2	750	240
H047	EME014F-2-900	\$35.00	5"	1 1/2	800	240
H048	EME414F-2-900	\$37.00	5 1/2"	1 1/2	900	240
H049	EMF014F-2-1000	\$38.00	6"	1 1/2	1000	240
H050	EMF414F-2-1000	\$39.00	6 1/2"	1 1/2	1000	240
H051	EMG014F-2-1000	\$41.00	7"	1 1/2	1000	240



Internally Heated Nozzles

Ideal solutions when space restrictions prevent the use of heater bands



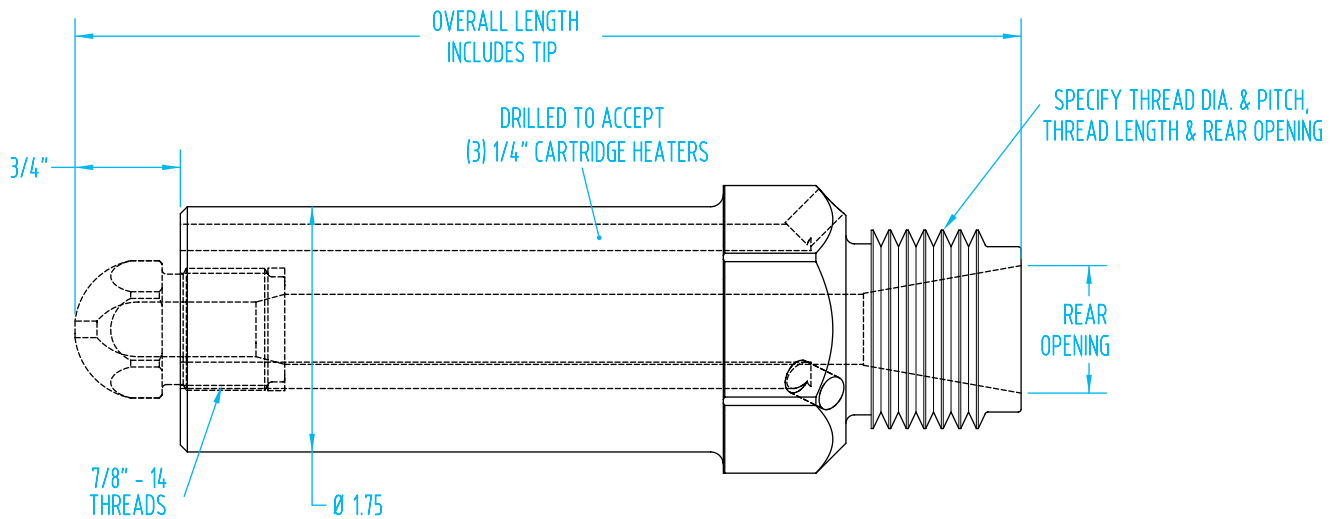
Note: Cartridge heaters and nozzle tips are sold separately.

Information required for pricing:

1. Your machine thread diameter, length, and rear opening
2. Overall nozzle length
3. Tip radius and orifice
4. Thermocouple location and tap size
5. Cartridge heater voltage

Two-Piece "Model HA" Internally Heated Nozzles

(One-piece internally heated nozzles are available)



Pricing for All Molding Machine Makes

Type	Overall Nozzle Length																	
	4"	5"	5½"	6"	6½"	7"	7½"	8"	8½"	9"	9½"	10"	10½"	11"	11½"	12"	12½"	13"
Internally Heated Nozzle	\$241	\$261	\$272	\$282	\$298	\$313	\$317	\$321	\$346	\$369	\$384	\$395	\$404	\$413	\$439	\$465	\$480	\$493

Cartridge Heaters

All EMI cartridge heaters are quality made for long life and precision fit. Reinforced leads protect wiring, providing a dependable heat source for your cartridge heater applications.

When determining cartridge heater size, take overall length minus thread length minus 1½".

* Round down to nearest cartridge heater length.



Cartridge Heaters (12" SST Braided Leads)

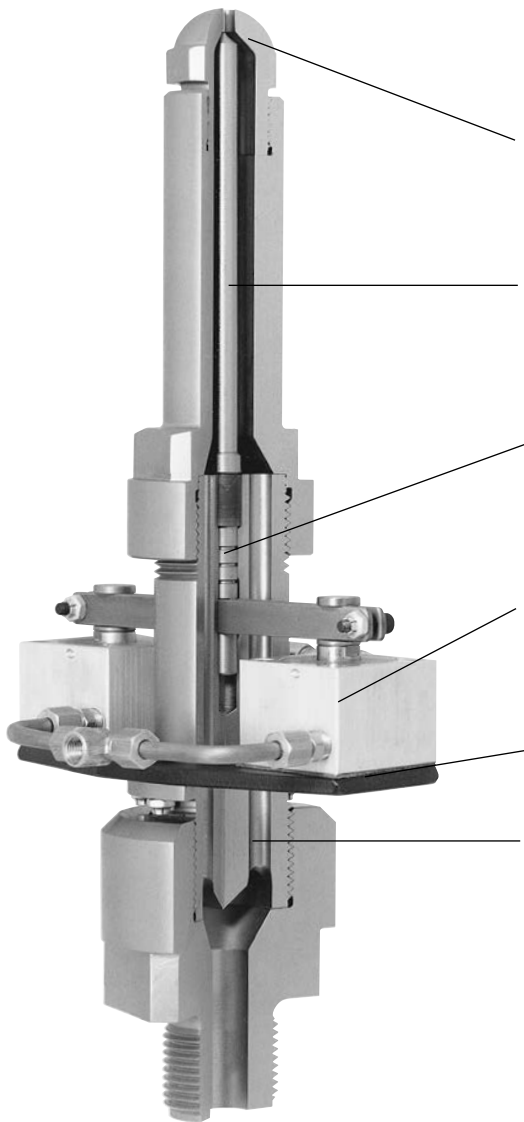
Length	Voltage	Wattage	Quick#	Part#	Price
1¼"	120	75	H052	EH12-12A-1-0075	\$ HERE
1¼"	240	75	H053	EH12-12A-2-0075	\$ HERE
1½"	120	110	H054	EH12-14A-1-0110	\$ HERE
1½"	240	110	H055	EH12-14A-2-0110	\$ HERE
2"	120	150	H056	EH12-2A-1-0150	\$ HERE
2"	240	150	H057	EH12-2A-2-0150	\$ HERE
2½"	120	185	H058	EH12-24A-1-0185	\$ HERE
2½"	240	185	H059	EH12-24A-2-0185	\$ HERE
3"	120	220	H060	EH12-3A-1-0220	\$ HERE
3"	240	220	H061	EH12-3A-2-0220	\$ HERE
3½"	120	260	H062	EH12-34A-1-0260	\$ HERE
3½"	240	260	H063	EH12-34A-2-0260	\$ HERE
4"	120	300	H064	EH12-4A-1-0300	\$ HERE
4"	240	300	H065	EH12 4A-2-0300	\$ HERE
4½"	120	350	H066	EH12-44A-1-0350	\$ HERE
4½"	240	350	H067	EH12-44A-2-0350	\$ HERE
5"	120	400	H068	EH12-5A-1-0400	\$ HERE
5"	240	400	H069	EH12-5A-2-0400	\$ HERE
5½"	120	425	H070	EH12-54A-1-0425	\$ HERE
5½"	240	425	H071	EH12-54A-2-0425	\$ HERE
6"	120	450	H072	EH12-6A-1-0450	\$ HERE
6"	240	450	H073	EH12-6A-2-0450	\$ HERE
6½"	120	485	H074	EH12-64A-1-0485	\$ HERE
6½"	240	485	H075	EH12-64A-2-0485	\$ HERE
7"	120	525	H076	EH12-7A-1-0525	\$ HERE
7"	240	525	H077	EH12-7A-2-0525	\$ HERE
7½"	120	525	H078	EH12-74A-1-0525	\$ HERE
7½"	240	525	H079	EH12-74A-2-0525	\$ HERE
8"	120	525	H080	EH12-8A-1-0525	\$ HERE
8"	240	600	H081	EH12-8A-2-0600	\$ HERE
8½"	120	525	H082	EH12-84A-1-0525	\$ HERE
8½"	240	635	H083	EH12-84A-2-0635	\$ HERE
9"	120	525	H084	EH12-9A-1-0525	\$ HERE
9"	240	675	H085	EH12-9A-2-0675	\$ HERE
9½"	120	525	H086	EH12-94A-1-0525	\$ HERE
9½"	240	705	H087	EH12-94A-2-0705	\$ HERE
10"	120	525	H088	EH12-10A-1-0525	\$ HERE
10"	240	750	H089	EH12-10A-2-0750	\$ HERE
10½"	120	525	H090	EH12-104A-1-0525	\$ HERE
10½"	240	785	H091	EH12-104A-2-0785	\$ HERE
11"	120	525	H092	EH12-11A-1-0525	\$ HERE
11"	240	825	H093	EH12-11A-2-0825	\$ HERE

Note: diameter is ¼" for all cartridge heaters.

Shut-Off Nozzles

“Performer” shut-off nozzles save time, material and money

EMI Performer shut-off nozzles help you optimize molding machine productivity by allowing the screw to retract while the mold is opening and closing. You'll shave cycle times to a minimum and increase fill rates for high speed or large part molding. Positive, air-operated pin closing allows faster screw recovery and stops drool in its tracks.



Positive open, positive close, faster cycles and more safety

Designed to be virtually maintenance-free. Performers are available to fit any machine and interchangeable nozzle tips adapt to a variety of plastic materials and molds.

Alternate shut-off pins are available in 17-4PH stainless steel and CPM-9V® tool steel for processing corrosive and abrasive materials.

Carbide insert in the body maintains standard pin diameter prohibiting material leakage through the back of the nozzle.

Having more power and reliability than springs, and safer than hydraulic operated nozzles which can leak and flash fire, EMI Performers are powered by two air cylinders... and they're the only ones in the industry with this feature.

Mica insulation protects air cylinders from heat.

Four large paths through the body allow material to flow through with minimal shear. For very shear sensitive materials or fast injection rate molding, we oversize the flow through paths to further reduce shear.

Special shut-off nozzles are available for gas-assisted injection molding.

Shut-Off Nozzles

A field-proven Performer at stopping drool, reducing scrap, and reducing cycle times in these applications:

Conventional molding:

Control nozzle temperatures without freeze-up or drool. Speed recovery rate and reduce cycle times. Inject into parting line to eliminate sprue and cut material usage. Permits structural foam molding.

Gate directly into part:

Cut material use and lower tooling costs by eliminating the sprue and runner. Cut start-up time. Faster color changes than hot manifold method.

Gating through core:

Eliminate gate blemishes on large parts where cosmetics are important.

Three plate mold design:

Eliminate sprue by injecting directly into runner system. Eliminate stringing and poor ejection of runner system. Mold runs automatically.

Vertical injection molding:

Cut material use by injecting through the parting line.

Pick the right Performer shut-off nozzle for your process

Selection of the right Performer nozzle is based on your injection pressure, machine size, flow rate, sled travel and material. Answers to these questions will help determine nozzle selection:

1. What is your plastic melt injection pressure? (Not the hydraulic system pressure). If under 18,000 psi, any of the Performer series shown can be used. If over 18,000 psi, but less than 30,000 psi, use the 2900 Series.
2. What type of material is being processed? General purpose materials with no fillers can be processed through any Performer. For materials which are corrosive, have additives or are shear sensitive call EMI.
3. Measure to determine which series nozzle will fit your platen. Note the overall "A" dimension on the drawings. (The minimum OAL can be reduced further by building a combination one-piece machine adaptor and end cap).

Why the patented EMI design out-lasts and out-performs every other shut-off nozzle.

With spring-operated valves, you cannot positively control shut-off because spring-operated valves are dependant on injection pressure. With heat variations, springs fail prematurely. The springs themselves actually restrict resin flow and make color changes more difficult.

Single air valve designs wear unevenly at the cross-arm and pin, which loosens the shut-off seal making them prone to leaking, drooling, and expensive maintenance.

Hydraulic-operated valves have seals which may leak oil onto heater bands and other heated surfaces which may flash fire.

EMI Performer nozzles give you a dependable, positive open-close design which cut cycle times, last longer, and operate safer than other nozzle types.

2000 Series Shut-Off Nozzles

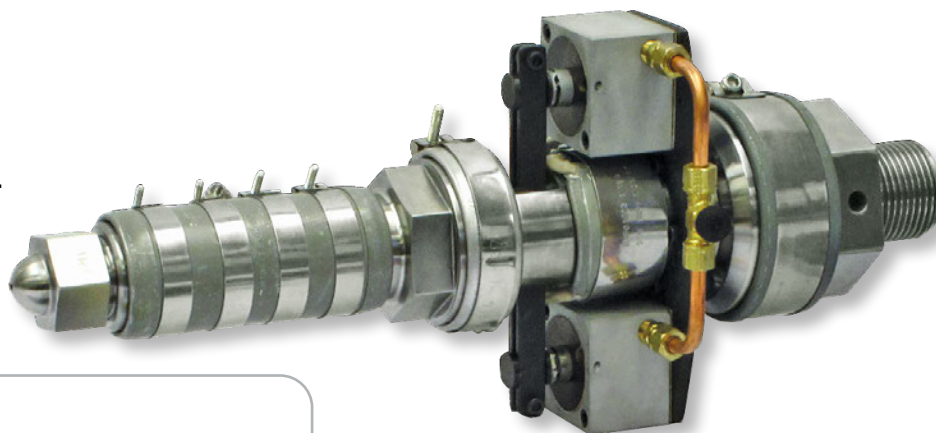
For smaller machines with shorter injection sled travel

Minimum overall length: 6²³/₃₂"*

Maximum nozzle tip orifice: 5/16"

Maximum melt pressure: 18,000 psi

Cross-sectional flow area: .196 sq. in.



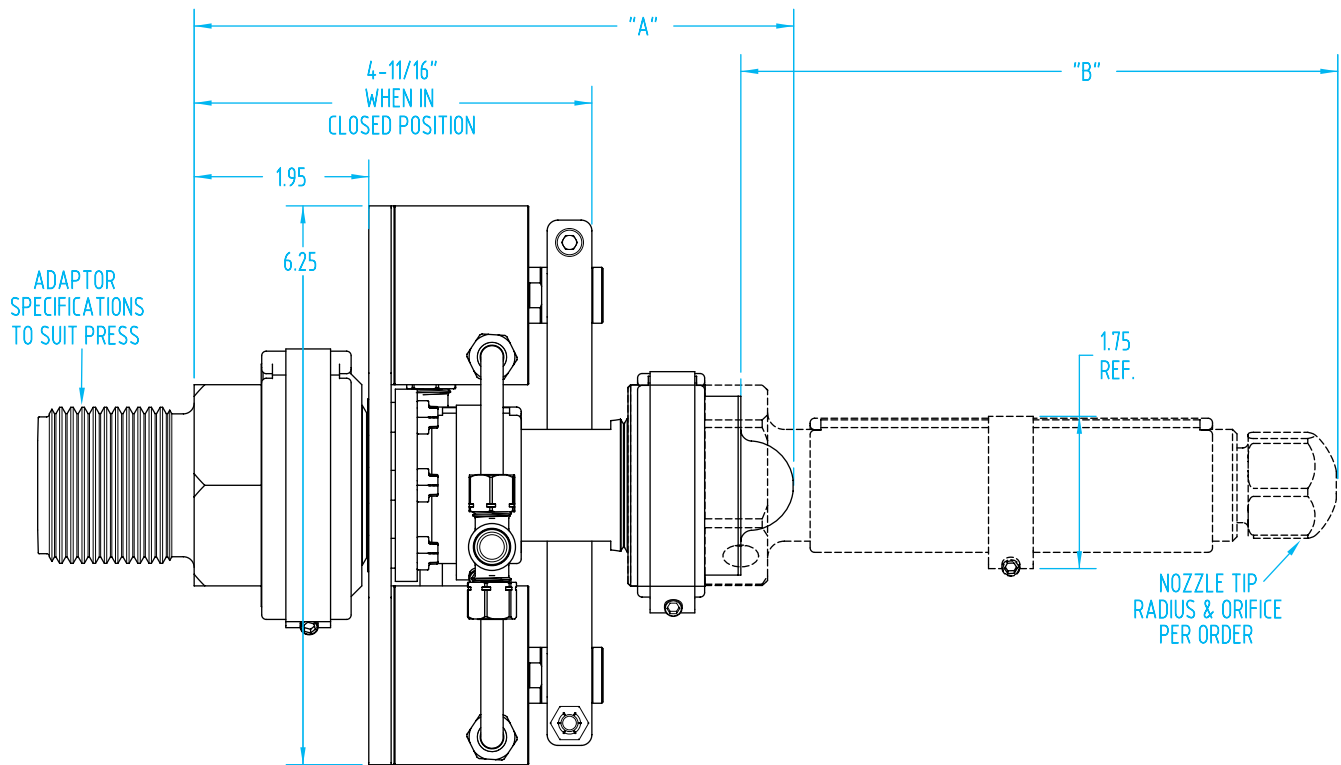
When ordering, specify:

- Make & model of injection machine
- Adaptor thread length, diameter, & pitch
- Rear opening size
- Nozzle tip radius & orifice
- Thermocouple tap size (two 1/8" NPT are standard, one in machine adaptor hex, one in nozzle extension hex)
- Heater band voltage
- Solenoid voltage
- Material being processed
- Injection shot size
- Injection rate (seconds to fill mold)
- Injection pressure

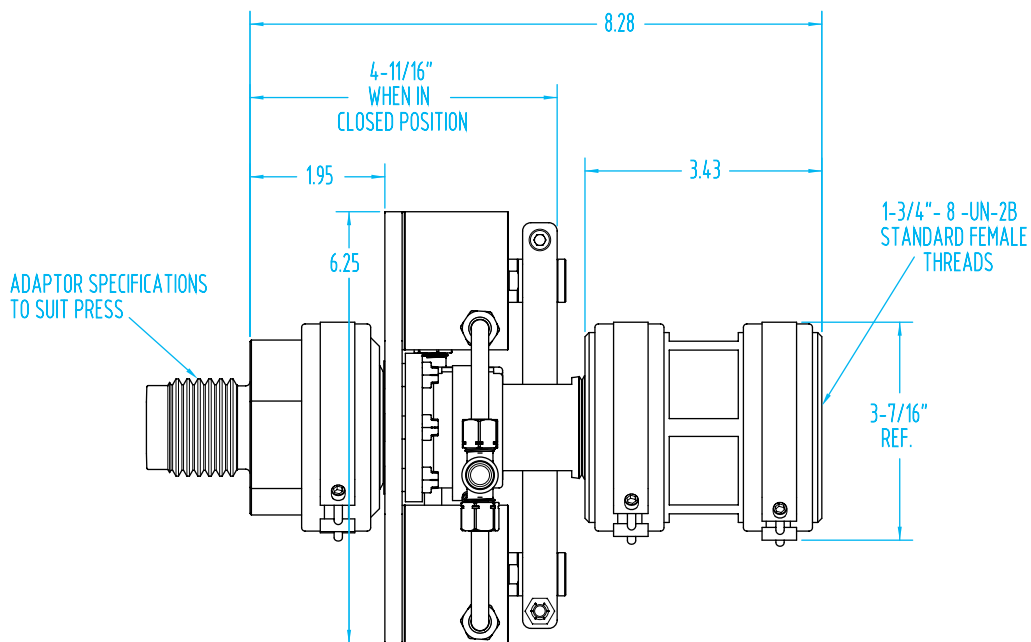
	Model #			
	2000-1	2000-3	2000-6	2000-10
"A" Overall Length	6 ²³ / ₃₂ "	9 ¹³ / ₁₆ "	12 ¹³ / ₁₆ "	16 ¹³ / ₁₆ "
"B" Projection	1 ⁹ / ₃₂ "	3 ³ / ₈ "	6 ³ / ₈ "	10 ³ / ₈ "
Shut-Off Body Assembly	\$2,435	\$2,435	\$2,435	\$2,435
Heater Band EMA41NW3-?-150 (1 ¹ / ₂ "x1")	\$49	\$49	\$49	\$49
Heater Band EMB206NW3-?-190 (1 ¹ / ₄ "x3/4")	\$49	\$49	\$49	\$49
Machine Adaptor	\$452	\$452	\$452	\$452
Heater Band EMB61T3-?-250 (2 ³ / ₄ "x1")	\$94	\$94	\$94	\$94
Nozzle Tip	\$155	-	-	-
Nozzle Extension & Tip	-	\$592	\$668	\$745
Heater Band EMA212WK3-?-150 (1 ¹ / ₄ "x1 ¹ / ₄ ")	-	\$48	-	-
Heater Band EMA244WK3-?-500 (1 ¹ / ₄ "x4 ¹ / ₂ ")	-	-	\$77	-
Heater Band EMA242WK3-?-400 (1 ¹ / ₄ "x4 ¹ / ₄ ")	-	-	-	2@ \$77
Complete Package Price:	\$3,234	\$3,719	\$3,824	\$3,978

? = Specify Heater Band Voltage1 = 120v / 2 = 230v

2000 Series Shut-Off Nozzles



FA Style



*OAL can be reduced further by building a one-piece machine adaptor and end cap.

2600 Series Shut-Off Nozzles

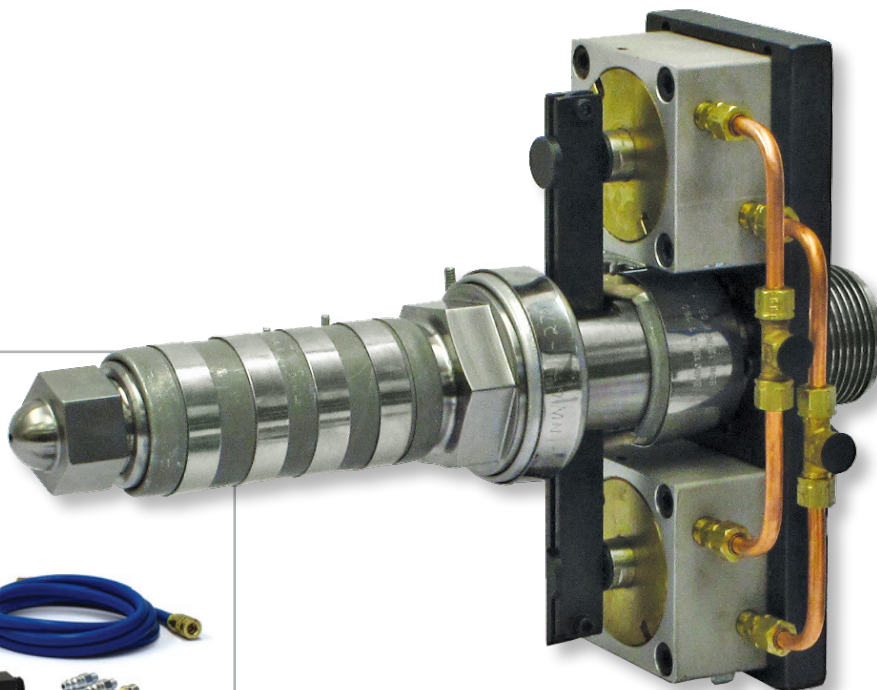
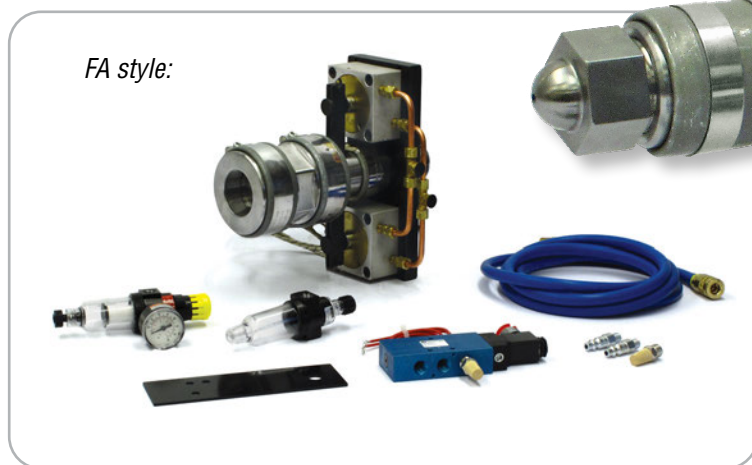
For medium sized machines

Minimum overall length: 9 1/8"*

Maximum nozzle tip orifice: 1/2"

Maximum melt pressure: 18,000 psi

Cross-sectional flow area: .370 sq. in.



FA style:

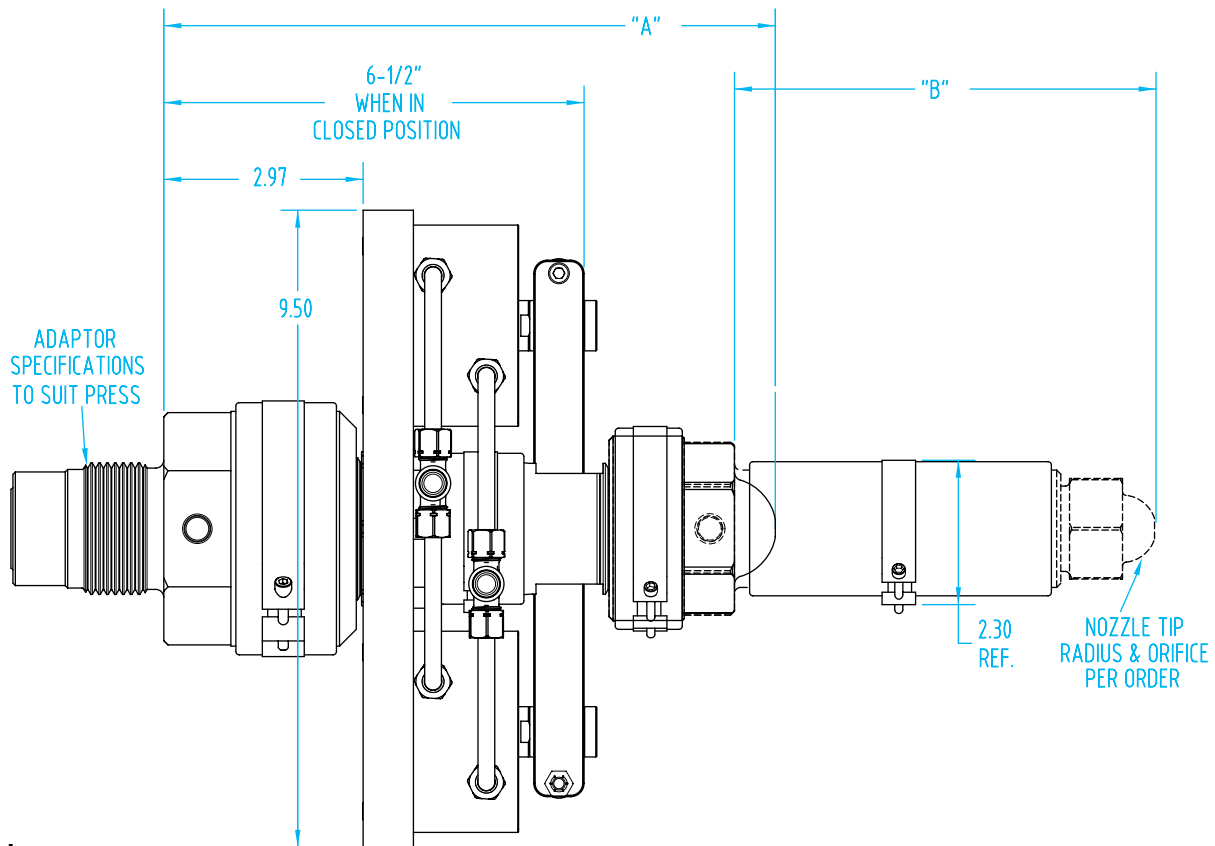
When ordering, specify:

- Make & model of injection machine
- Adaptor thread length, diameter, & pitch
- Rear opening size
- Nozzle tip radius & orifice
- Thermocouple tap size (two 1/8" NPT are standard, one in machine adaptor hex, one in nozzle extension hex)
- Heater band voltage
- Solenoid voltage
- Material being processed
- Injection shot size
- Injection rate (seconds to fill mold)
- Injection pressure

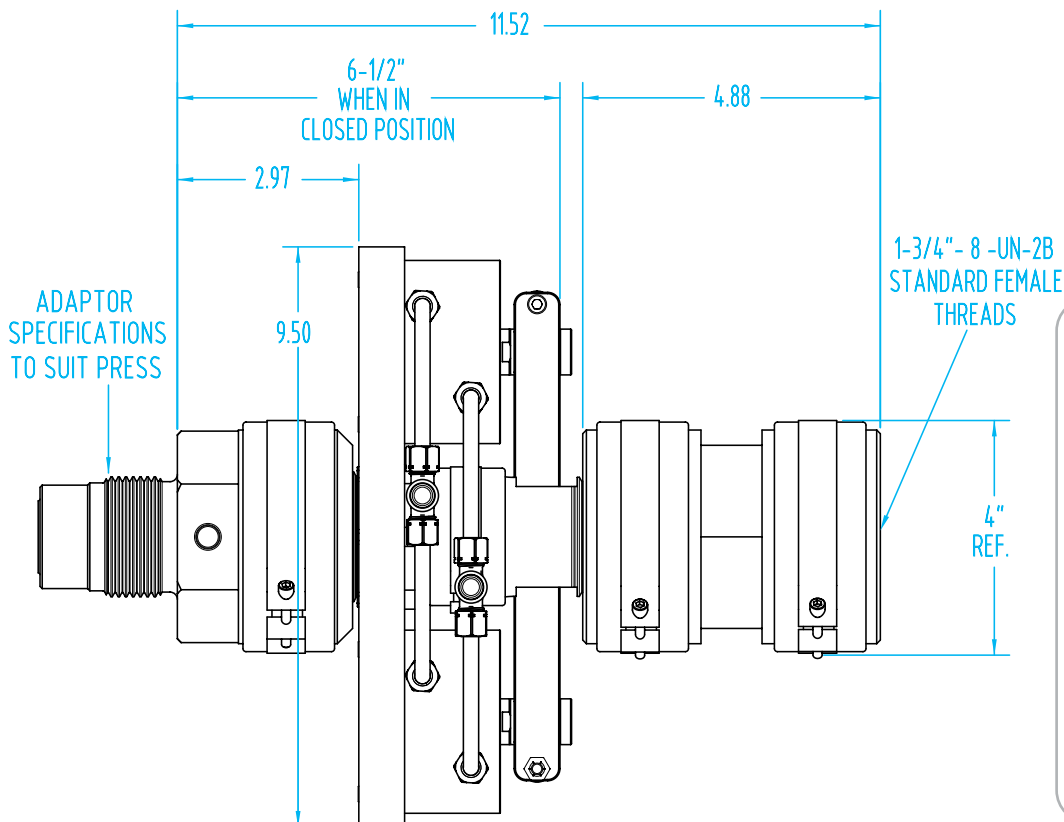
	Model #			
	2600-1	2600-3	2600-6	2600-10
"A" Overall Length	9 1/8"	11 7/8"	14 7/8"	18 7/8"
"B" Projection	5/8"	3 3/8"	6 3/8"	10 3/8"
Shut-Off Body Assembly	\$3,584	\$3,584	\$3,584	\$3,584
Heater Band EMB012T3-?-190 (2"x1 1/4")	\$94	\$94	\$94	\$94
Heater Band EMB61NW3-?-270 (2 3/4"x1")	\$61	\$61	\$61	\$61
Machine Adaptor	\$664	\$664	\$664	\$664
Heater Band EMC414T3-?-400 (3 1/2"x1 1/2")	\$96	\$96	\$96	\$96
Nozzle Tip	\$183	-	-	-
Nozzle Extension & Tip	-	\$870	\$945	\$1,022
Heater Band EMA212WK3-?-150 (1 1/4"x1 1/4")	-	\$48	-	-
Heater Band EMA244WK3-?-500 (1 1/4"x4 1/2")	-	-	\$77	-
Heater Band EMA242WK3-?-400 (1 1/4"x4 1/4")	-	-	-	2@ \$77
Complete Package Price:	\$4,682	\$5,417	\$5,521	\$5,675

? = Specify Heater Band Voltage 1 = 120v / 2 = 230v

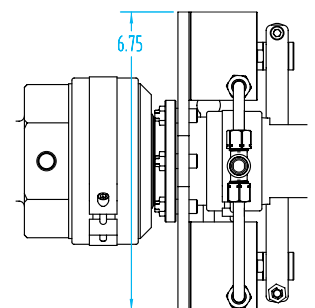
2600 Series Shut-Off Nozzles



FA Style



For those who need a shut-off nozzle with a smaller width across the air cylinders, EMI has a 2048 FA with a 6.75" width compared to the 9.5" of the 2600 FA.



* OAL can be reduced further by building a one-piece machine adaptor and end cap.

2800 Series Shut-Off Nozzles

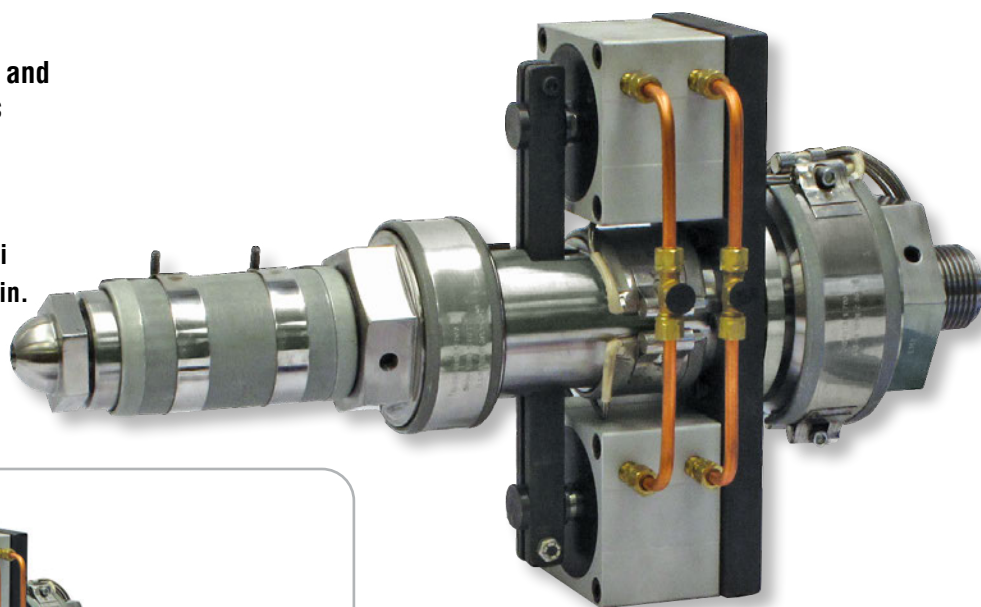
For larger machines, 1,000 tons and greater or high flow applications

Minimum overall length: 12½" *

Maximum nozzle tip orifice: ⅝"

Maximum melt pressure: 18,000 psi

Cross-sectional flow area: .442 sq. in.



FA style:



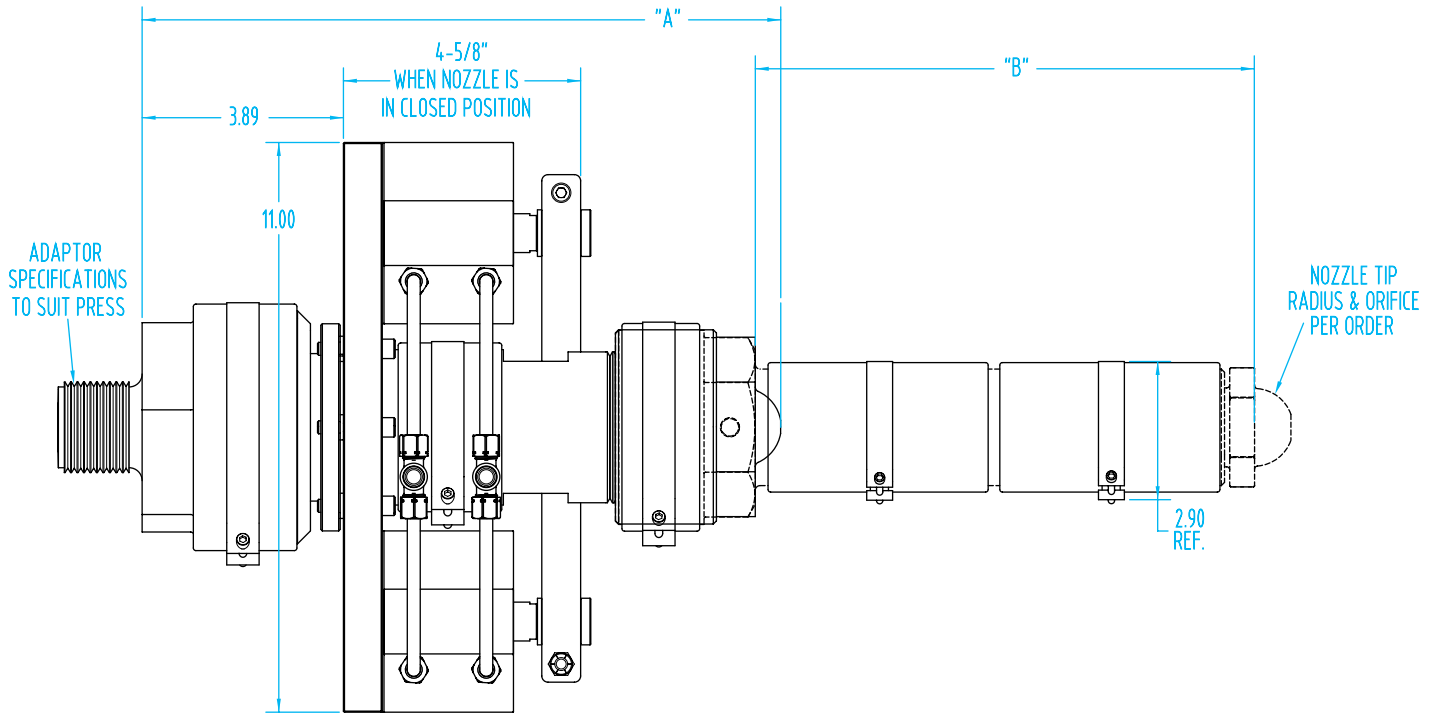
When ordering, specify:

- Make & model of injection machine
- Adaptor thread length, diameter, & pitch
- Rear opening size
- Nozzle tip radius & orifice
- Thermocouple tap size (two ⅛" NPT are standard, one in machine adaptor hex, one in nozzle extension hex)
- Heater band voltage
- Solenoid voltage
- Material being processed
- Injection shot size
- Injection rate (seconds to fill mold)
- Injection pressure

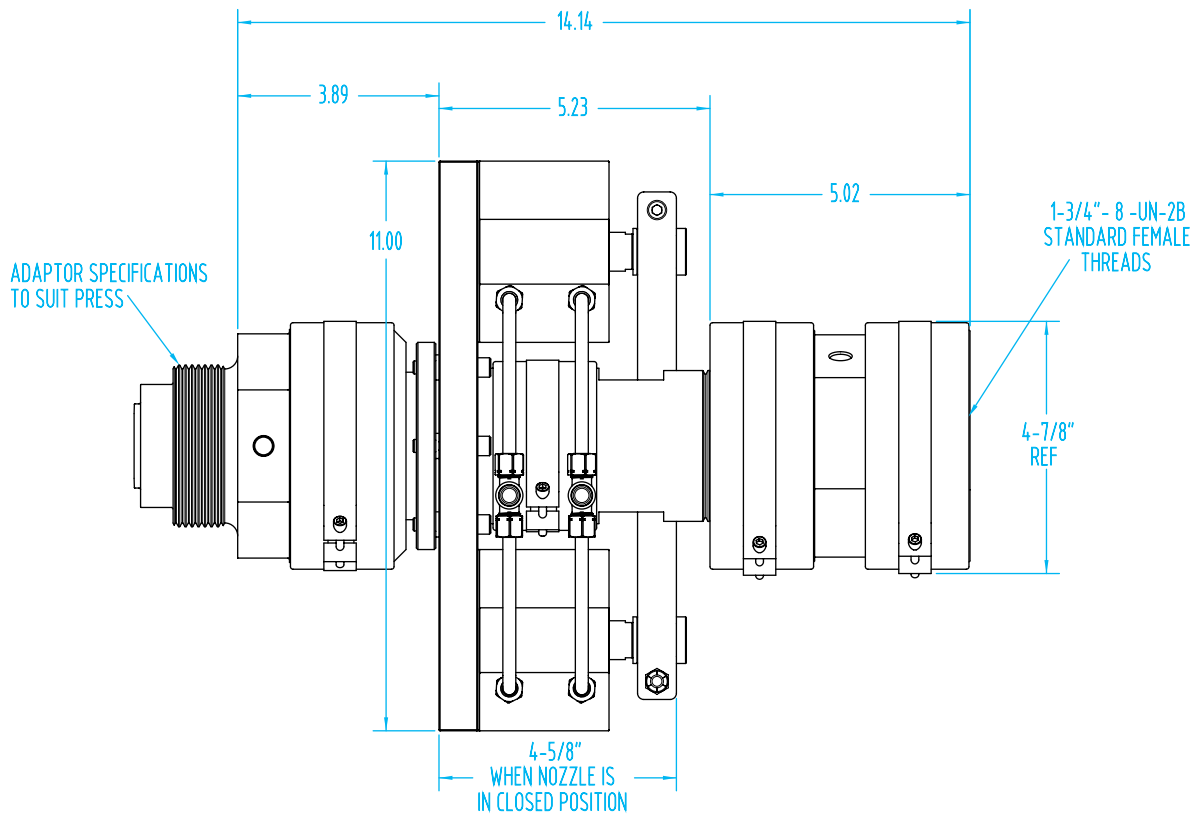
	Model #			
	2800-1	2800-3	2800-6	2800-10
"A" Overall Length	12½"	14⅞"	18¼"	22¼"
"B" Projection	2½"	2½"	6⅞"	10⅞"
Shut-Off Body Assembly	\$4,104	\$4,104	\$4,104	\$4,104
Heater Band EMC02T3-?-500 (3"x2")	\$96	\$96	\$96	\$96
Heater Band EMC614NW3-?-500 (3¾"x1½")	\$60	\$60	\$60	\$60
Machine Adaptor	\$762	\$762	\$762	\$762
Heater Band EMD42T3-?-700 (4½"x2")	\$108	\$108	\$108	\$108
Nozzle Tip	\$196	-	-	-
Nozzle Extension & Tip	-	\$997	\$1,047	\$1,149
Heater Band EMB21WK3-?-200 (2¼"x1")	-	\$53	-	-
Heater Band EMB244WK3-?-800 (2¼"x4½")	-	-	\$70	-
Heater Band EMB242WK3-?-750 (2¼"x4¼")	-	-	-	2@ \$81
Complete Package Price:	\$5,326	\$6,180	\$6,247	\$6,441

? = Specify Heater Band Voltage 1 = 120v / 2 = 230v

2800 Series Shut-Off Nozzles



FA Style



* OAL can be reduced further by building a one-piece machine adaptor and end cap.

2900 Series Shut-Off Nozzles

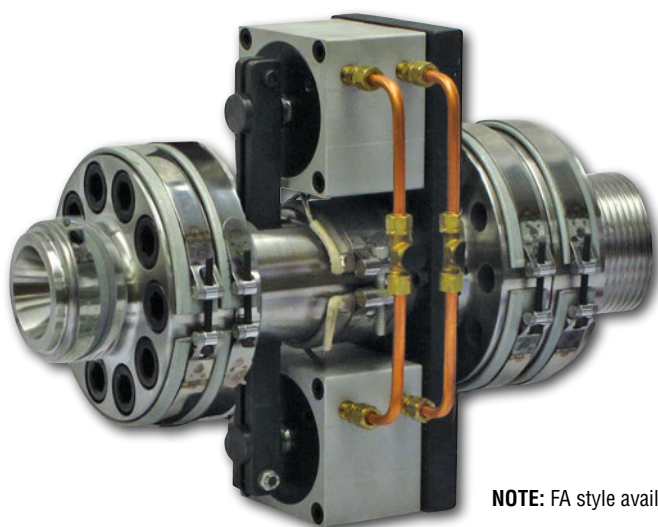
For high pressure (to 30,000 psi), high rate molding of thin wall parts, or heavy wall, large parts

Minimum overall length: 13 7/8"*

Maximum nozzle tip orifice: 5/8"

Maximum melt pressure: 30,000 psi

Cross-sectional flow area: .442 sq. in.



NOTE: FA style available.

When ordering, specify:

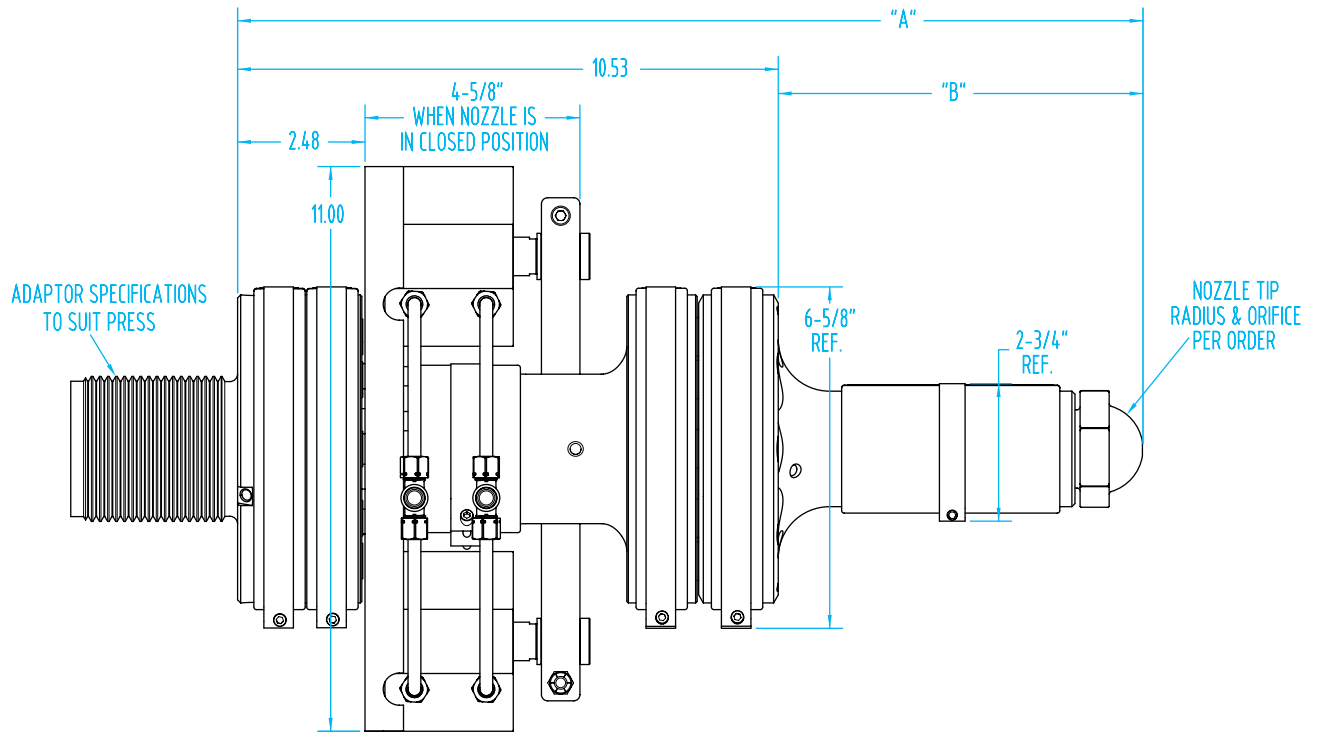
- Make and model of injection machine
- Adaptor thread length, diameter, and pitch
- Rear opening size
- Nozzle tip radius & orifice
- Thermocouple tap size (two 1/4"-28 are standard, one in machine adaptor, one in nozzle extension)
- Heater band voltage
- Solenoid voltage
- Material being processed
- Injection shot size
- Injection rate (seconds to fill mold)
- Injection pressure

Price includes spanner wrench for mounting to machines.

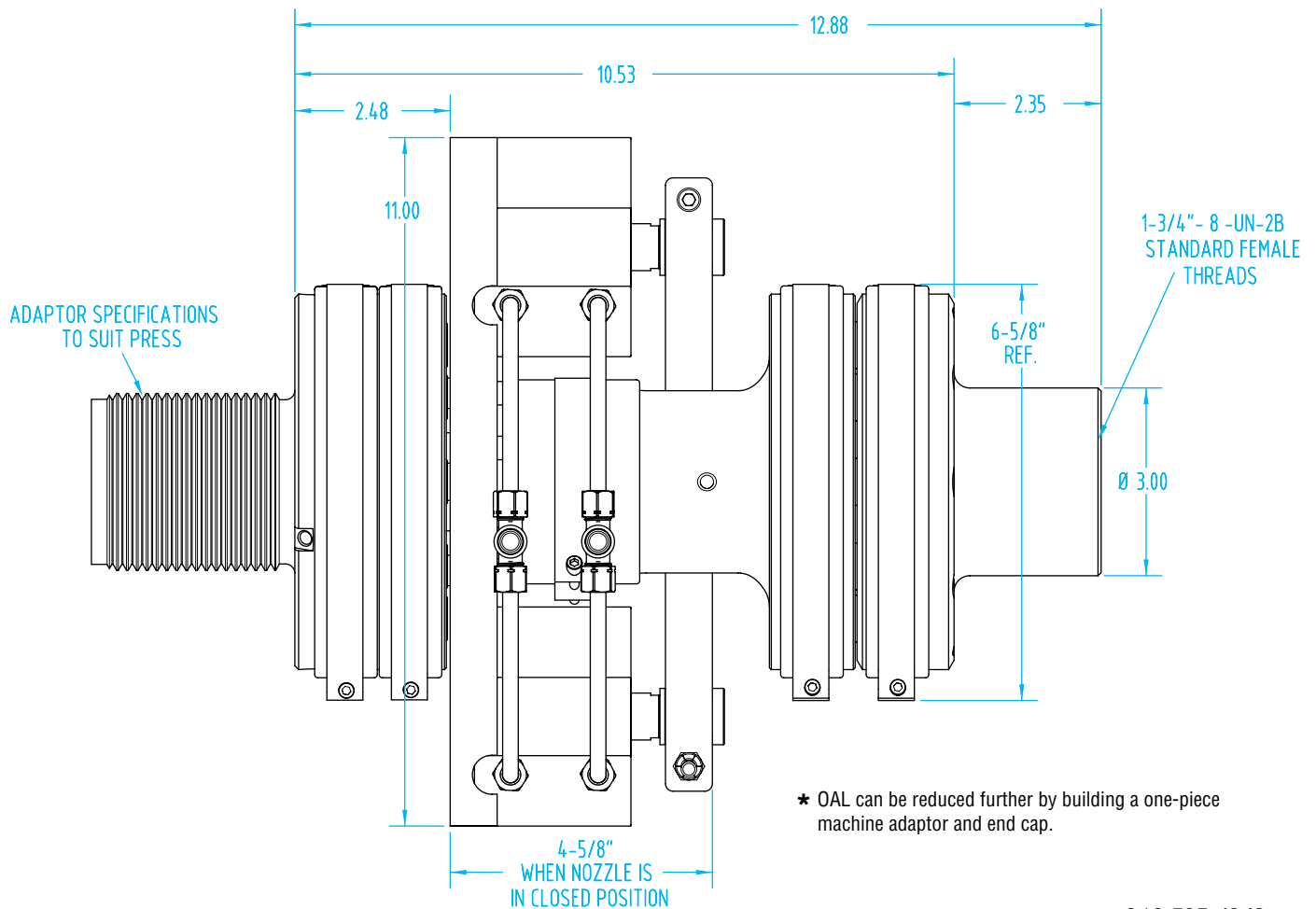
	Model #		
	2900C-3	2900C-6	2900C-10
"A" Overall Length	13 7/8"	16 7/8"	20 7/8"
"B" Projection	3 3/8"	6 3/8"	10 3/8"
Shut-Off Body Assembly	\$8,756	\$9,006	\$9,360
Heater Band EMC02T3-?-500 (3"x2")	\$96	\$96	\$96
Heater Band EMF01E3-?-650 (6"x1")	2@ \$111	2@ \$111	2@ \$111
Machine Adaptor	included	included	included
Heater Band EMF01E3-?-650 6"x1")	2@ \$111	2@ \$111	2@ \$111
Nozzle Extension & Tip	included	included	included
Heater Band EMB21WK3-?-200 (2 1/4"x1")	\$53	-	-
Heater Band EMB244WK3-?-800 (2 1/4"x4 1/2")	-	\$70	-
Heater Band EMB242WK3-?-750 (2 1/4"x4 1/4")	-	-	2@ \$81
Complete Package Price:	\$9,349	\$9,616	\$10,062

? = Specify Heater Band Voltage 1 = 120v / 2 = 230v

2900 Series Shut-Off Nozzles



FA Style



Water Management Products

Water Management Products by EMI are designed and built to help you decrease cycle times through more efficient water distribution. Because we offer the best components available, downtime is minimized. Solid bronze manifolds are compact which allow mounting in more possible locations around your machine. They include self-cleaning ball valves, seated in a reinforced Teflon® valve seat and are easily field repairable at low cost.

Water manifolds are available from stock in heavy-duty powder coated steel, stainless steel and aluminum. Kool Flow water manifolds offer modular block assemblies which can be used for multiple application needs. Water flow regulators improve part quality by providing precision water flow control and fast, reproducible flow settings. We also supply brass ball valves, nipples, quick couplings, and hoses to complete your installation.



EMI offers a large variety of water manifolds.

Available in aluminum, powder coated steel and stainless steel, many of these are in-stock, and available for same day shipment.

If you can't find a manifold fit for your application, contact EMI by email at: Sales@EMInc.com

Need a Custom Manifold?

[Download interactive forms here!](#)



Water Management Products

Aluminum In-line Models

Page 68



Aluminum Cluster Models

Page 72



Synchronized Aluminum Cluster Models

Page 76



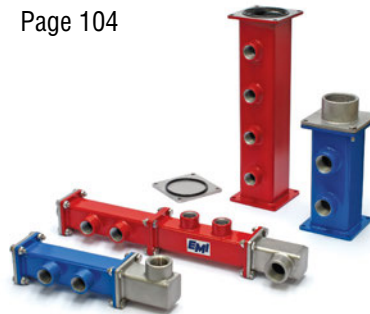
Compact Models

Page 80



Configurable Models

Page 104



Anodized Aluminum Models

Page 116



Kool Flow Configurable Models

Page 130



Mini Water Flow Regulators

Page 146



Water Flow Regulators

Page 150



Brass Water Flow Regulators

Page 156



Hose & Quick Release Couplings

Page 161 & 162



Brass Valves & Fittings

Page 164



Aluminum Inline Water Manifolds

All units in stock for immediate shipment!

EMI's **Aluminum In-line Manifolds** are available from stock. Aluminum Cluster Manifolds are 100% tested to 120 psi. Available in either a "cluster" or "in-line" style, they include brass, self-cleaning, full flow ball valves with reinforced Teflon® seats which eliminate the need for lubrication. Cluster-style valves let you fit your hose connections within the smallest space possible. Easily field serviceable.

In-line Models:



4 Outlets with 1/2" NPT & 3 End Ports with 1" NPT
Page 69



6 Outlets with 1/2" NPT & 3 End Ports with 1 1/4" NPT
Page 70



8 Outlets with 1/2" NPT & 3 End Ports with 1 1/2" NPT
Page 71

Manifold Quantity Discounts	
1-24	Net
25 +	Less 5%
Mix or Match for Discount	

REPAIR KITS:

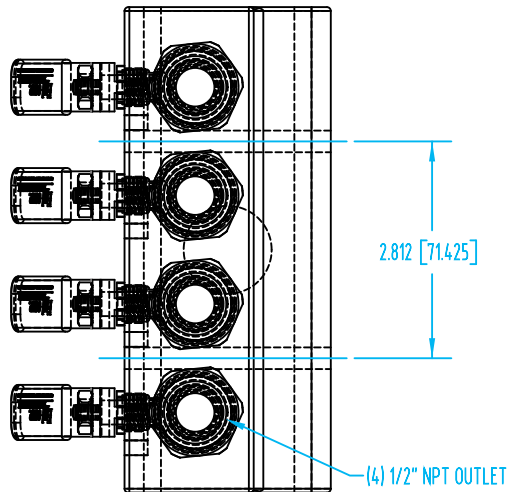
All EMI aluminum water manifolds are field repairable. The repair kit includes: handle, nut, packing nut, stem, packing gland, thrust washer, two ball seats, and adaptor @ \$9.95 ea. Order *Quick# W000*.

Aluminum Water Manifolds

4 Port, In-line Model with 1" NPT End Ports

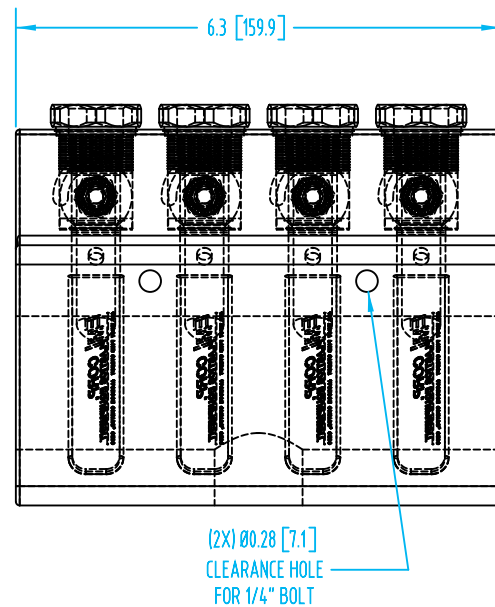
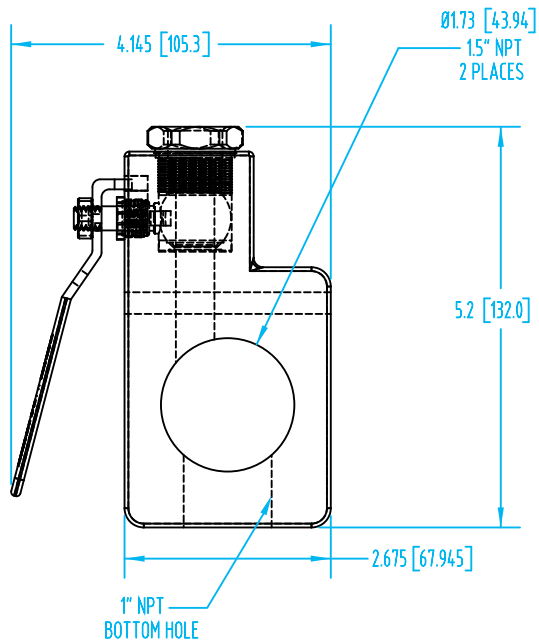
Features:

- Constructed from 6063-T5 Anodized Aluminum Extrusion.
- Perfect when water quality is poor.
- Pressure rated to 120 psi.
- Temperature rated to 180°F.
- Brass ball valves are self-cleaning for low maintenance.
- Valves are reinforced with Teflon® seats for lubrication-free operation.
- Easily field serviceable.



Quick#	Part#	Description	Price
W005	AVML-041-F16	1" NPT Inlets (3), 1/2" NPT Outlets (4)	\$195

When ordering, use Quick#s to ensure order accuracy.



Aluminum Water Manifolds

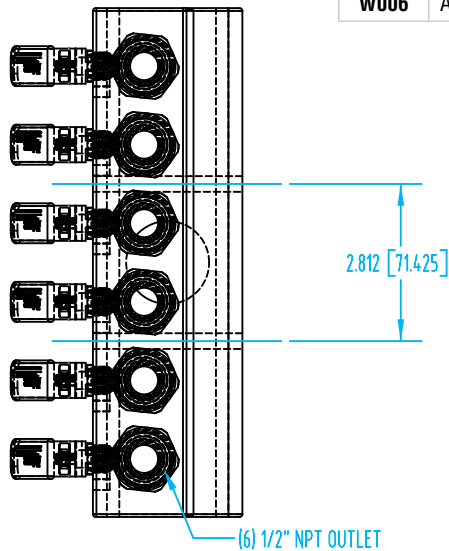
6 Port, In-line Model with 1 1/4" End Ports

Features:

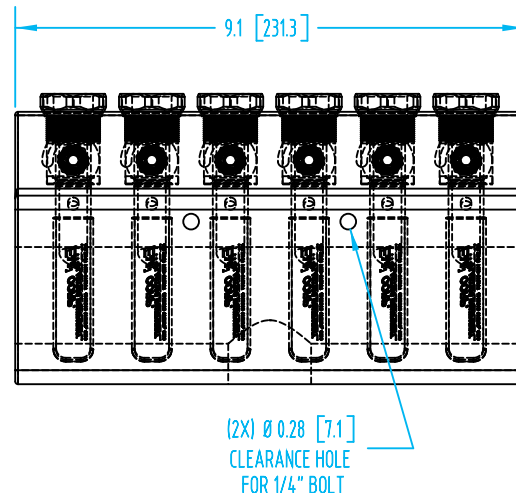
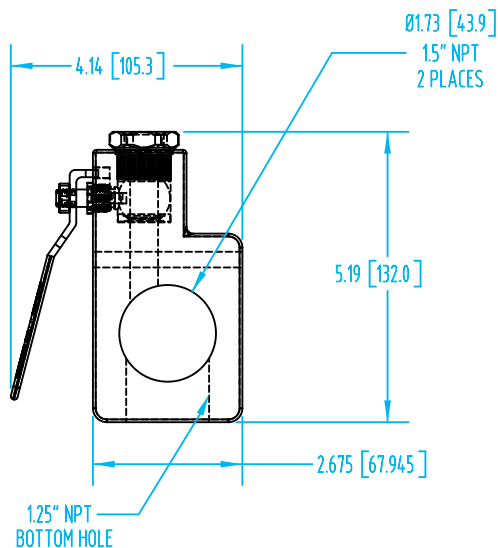
- Constructed from 6063-T5 Anodized Aluminum Extrusion.
- Perfect when water quality is poor.
- Pressure rated to 120 psi.
- Temperature rated to 180°F.
- Brass ball valves are self-cleaning for low maintenance.
- Valves are reinforced with Teflon® seats for lubrication-free operation.
- Easily field serviceable.



Quick#	Part#	Description	Price
W006	AVML-061-F20	1/4" NPT Inlets (3), 1/2" NPT Outlets (6)	\$257

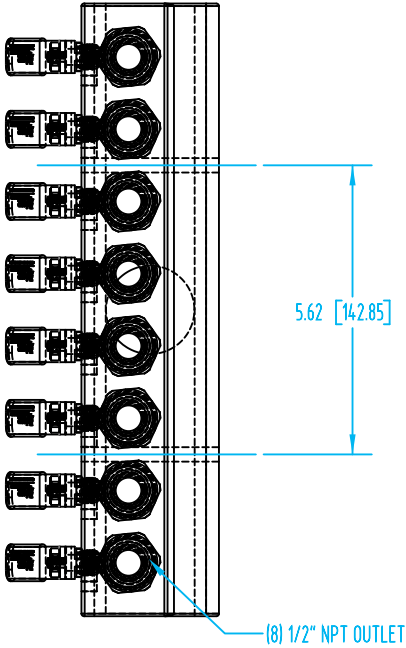


See pages 161–165 for hose, fittings, valves, and end plugs

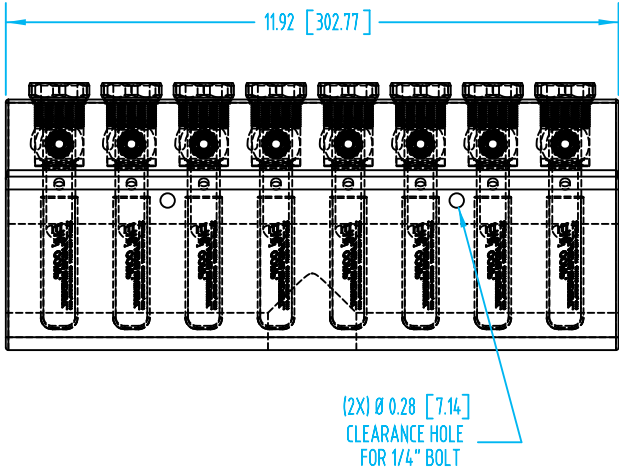
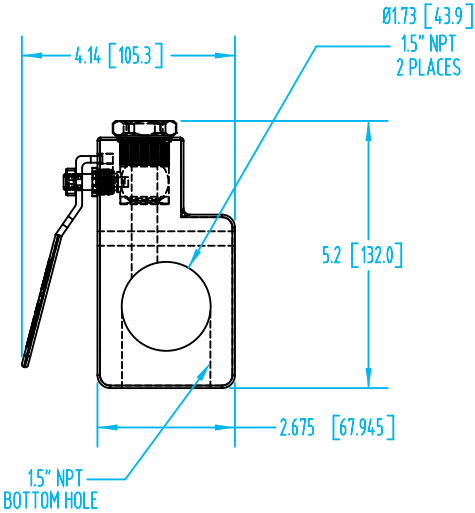


Aluminum Water Manifolds

8 Port, In-line Model with 1 1/2" End Ports



Quick#	Part#	Description	Price
W007	AVML-081-F24	1 1/2" NPT Inlets (3), 1/2" NPT Outlets (8)	\$334



Aluminum Cluster Water Manifolds

All units in stock for immediate shipment!

EMI's **Aluminum Cluster Manifolds** are available from stock. For molders who prefer to have hoses in-line and have the room to arrange them this way, these models provide the maximum number of connections in a compact, easily mounted configuration. Same quality aluminum construction and self-cleaning ball valves as the cluster models. Easily field serviceable.

Cluster Models:



4 Outlets with 1/2" NPT, & 3/4" NPT End Ports
 4 Outlets with 1/2" NPT, & 1" NPT End Ports
 Page 73



6 Outlets with 1/2" NPT, & 1 1/4" NPT End Ports
 Page 74



8 Outlets with 1/2" NPT, & 1 1/2" NPT End Ports
 Page 75

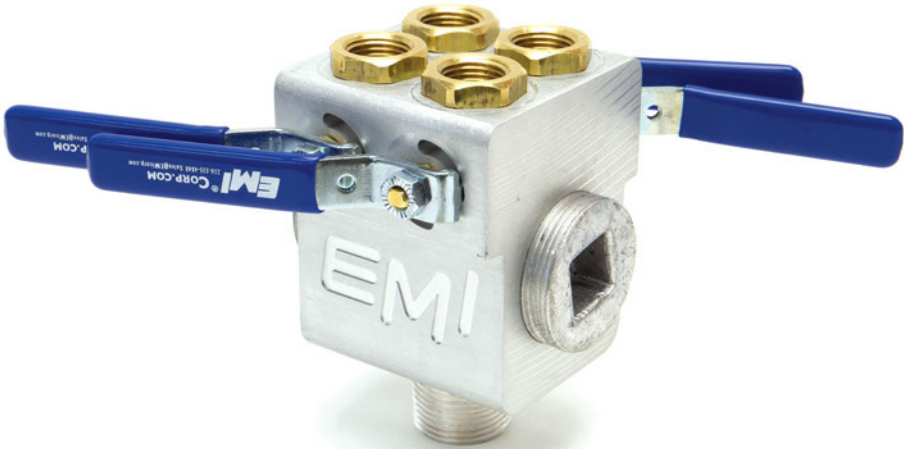
REPAIR KITS:

All EMI aluminum water manifolds are field repairable. The repair kit includes: handle, nut, packing nut, stem, packing gland, thrust washer, two ball seats, and adaptor @ \$9.95 ea. Order *Quick# W000*.

Manifold Quantity Discounts	
1-24	Net
25 +	Less 5%
Mix or Match for Discount	

Aluminum Water Manifolds

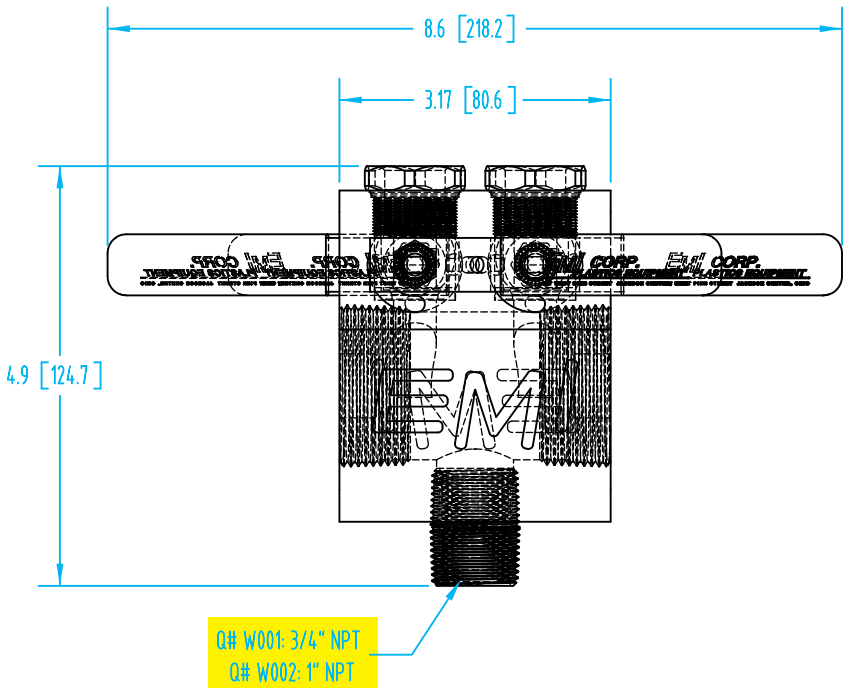
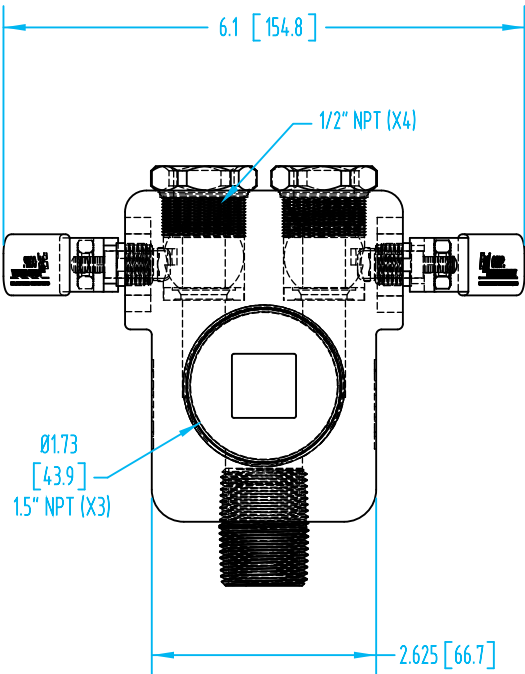
4 Outlet, Cluster Model



See pages 161–165 for hose, fittings, valves, and end plugs

Quick#	Part#	Description	Price
W001	AVMC-041-M12	3/4" NPT End Ports, 1/2" NPT Outlets (4)	\$170
W002	AVMC-041-M16	1" NPT End Ports, 1/2" NPT Outlets (4)	\$170

When ordering, use Quick#s to ensure order accuracy.

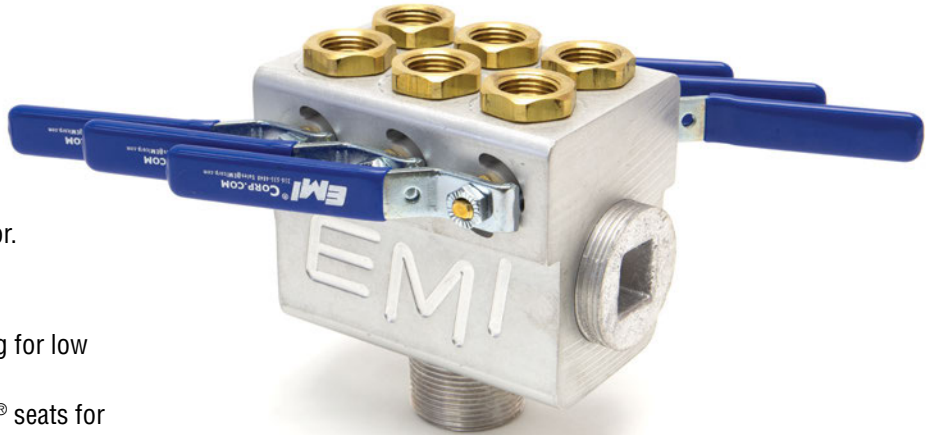


Aluminum Water Manifolds

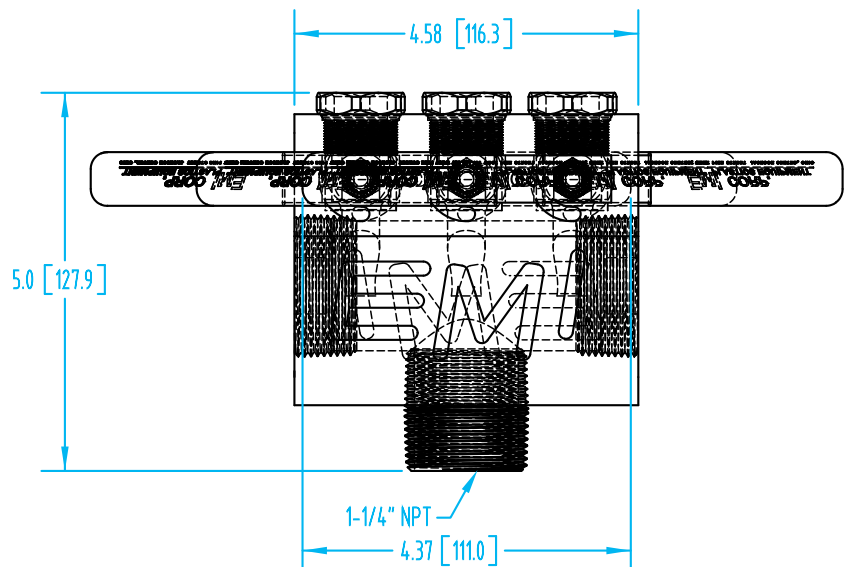
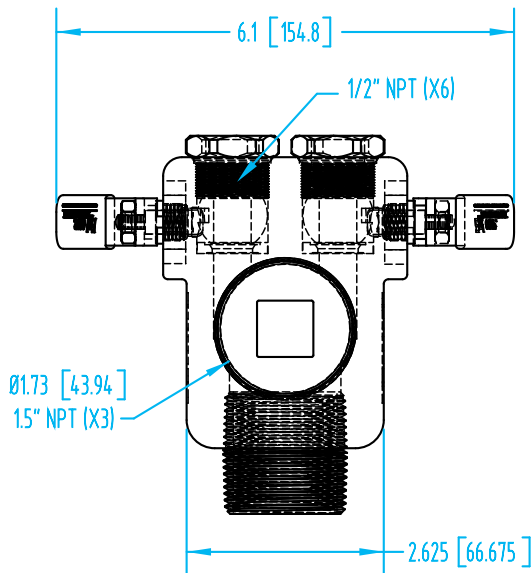
6 Outlet, Cluster Model

Features:

- Constructed from 6063-T5 Anodized Aluminum Extrusion.
- Perfect when water quality is poor.
- Pressure rated to 120 psi.
- Temperature rated to 180°F.
- Brass ball valves are self-cleaning for low maintenance.
- Valves are reinforced with Teflon® seats for lubrication-free operation.
- Easily field serviceable.



Quick#	Part#	Description	Price
W003	AVMC-061-M20	1 1/4" NPT End Ports, 1/2" NPT Outlets (6)	\$230

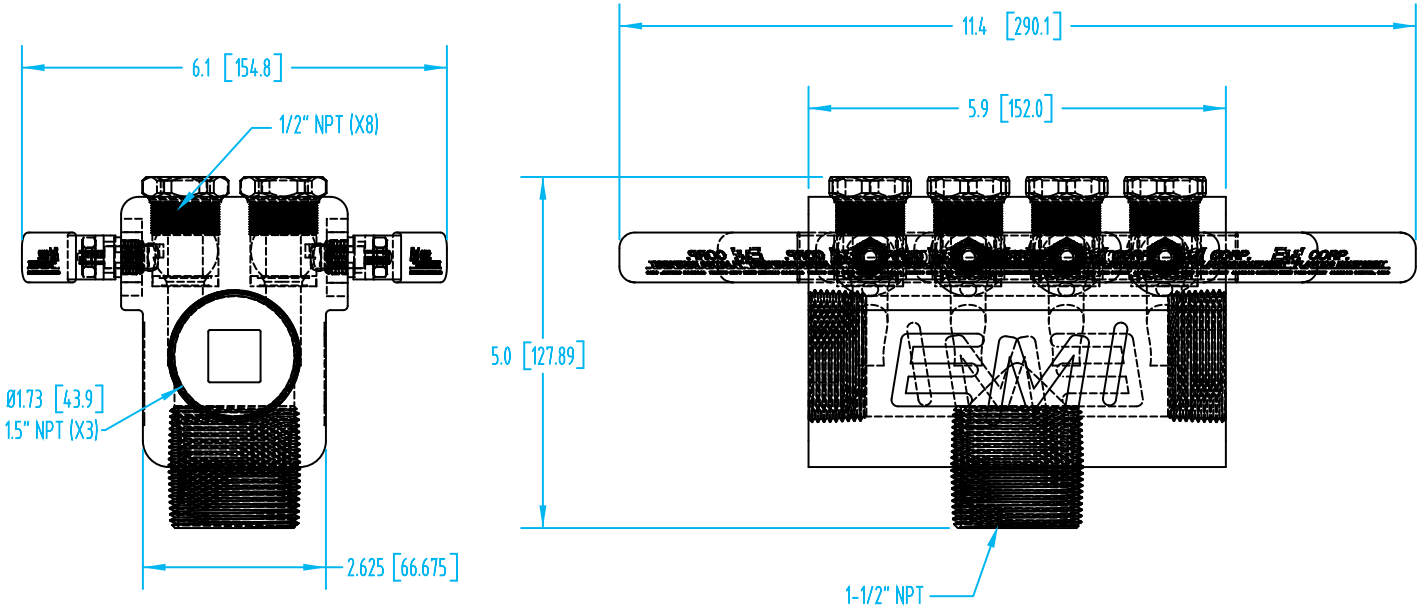


Aluminum Water Manifolds

8 Outlet, Cluster Model



Quick#	Part#	Description	Price
W004	AVMC-081-M24	1 1/2" NPT End Ports, 1/2" NPT Outlets (8)	\$281



Synchronized Aluminum Water Manifolds

Featuring synchronized valve adjustment!

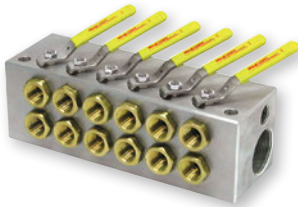
All units in stock for immediate shipment!

Cost-effective and compact, Synchronized Water Manifolds save time by opening and closing 'to' and 'from' circuits simultaneously. Know with certainty when both sides of the mold circuit are open/closed, avoiding spills and preventing scrap parts. These cost saving manifolds provide both supply and return in one compact package.

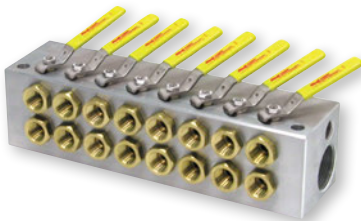
Aluminum Cluster Models:



8 Outlets with 1/2" NPT, 1 1/2" NPT End Ports
Page 77



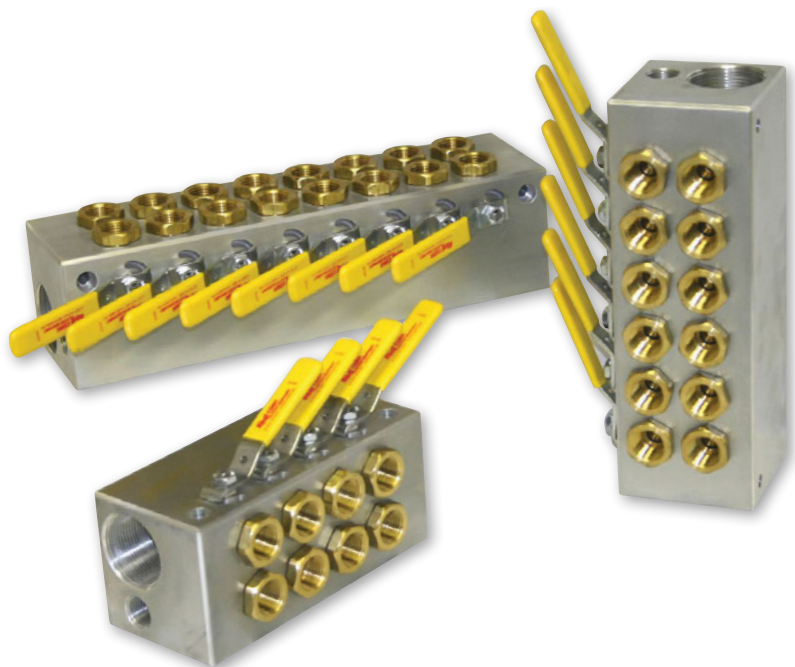
12 Outlets with 1/2" NPT, 1 1/2" NPT End Ports
Page 78



16 Outlets with 1/2" NPT, 1 1/2" NPT End Ports
Page 79

Features:

- Each pair of 'to' and 'from' valve circuits operates in unison, with one handle.
- All components are corrosion resistant to ensure long, maintenance-free operation, inside and out.
- Eliminate doubt — know with certainty when 'both sides' of the mold circuit are open/closed, avoiding spills and preventing scrap parts.
- Full flow, self-cleaning, corrosion-resistant ball valves with reinforced PTFE seats.



Synchronized Aluminum Water Manifolds

8 Port, Aluminum Cluster Model

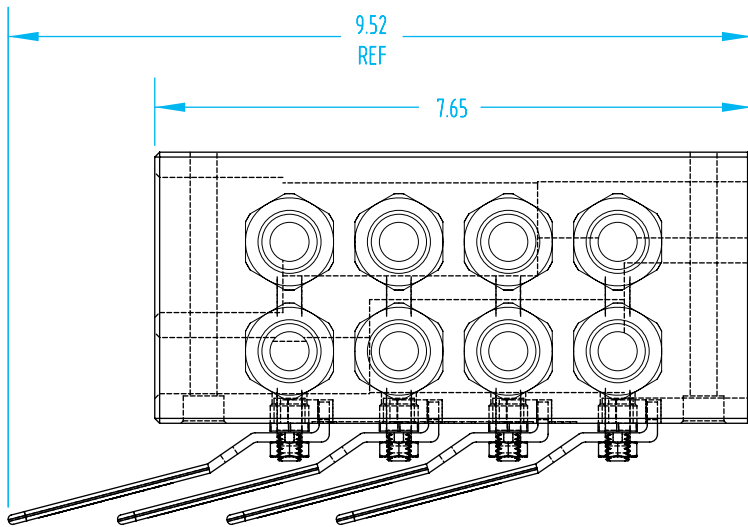
Features:

- Constructed from solid cast aluminum for dependable corrosion-free and rust-free operation.
- Perfect when water quality is poor.
- Pressure rated to 120 psi.
- Temperature rated to 180°F.
- Brass ball valves are self cleaning for low maintenance.
- Valves are reinforced with PTFE seats for lubrication-free operation.

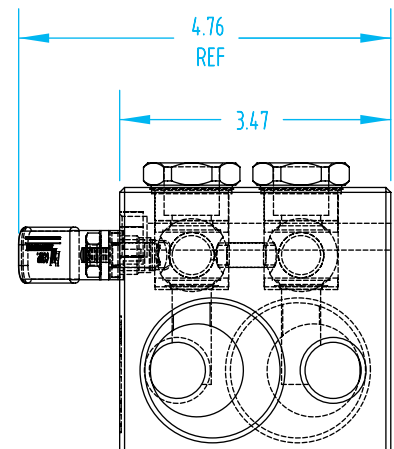
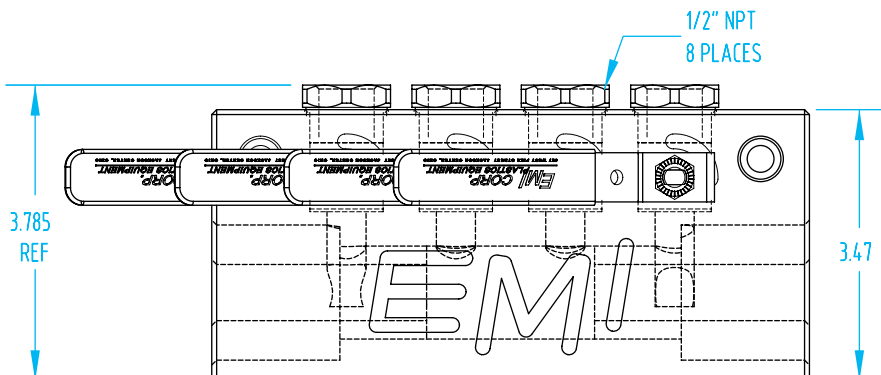


Quick#	Part#	Description	Price each
W008	AMSP4	1½" NPT End Ports, ½" NPT Outlets (8)	\$273

When ordering, use Quick#s to ensure order accuracy.

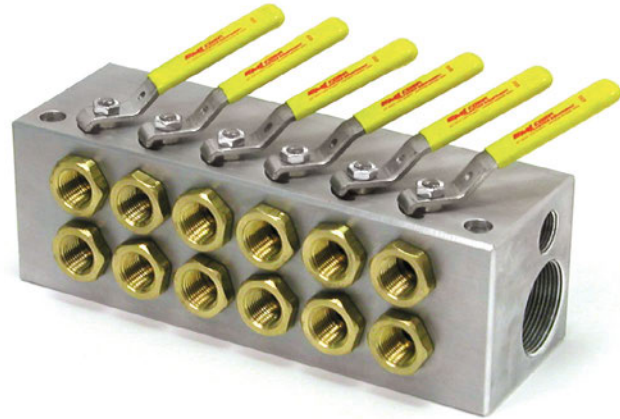


See pages 161–165 for hose, fittings, valves, and end plugs



Synchronized Aluminum Water Manifolds

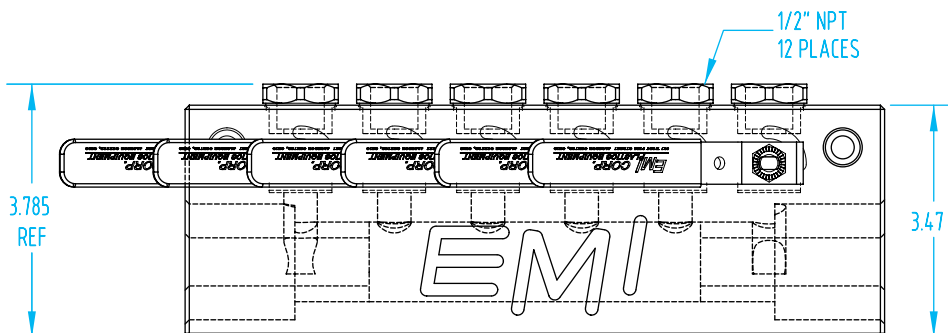
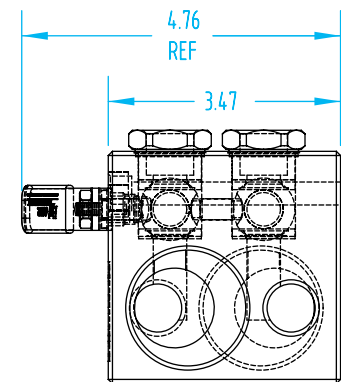
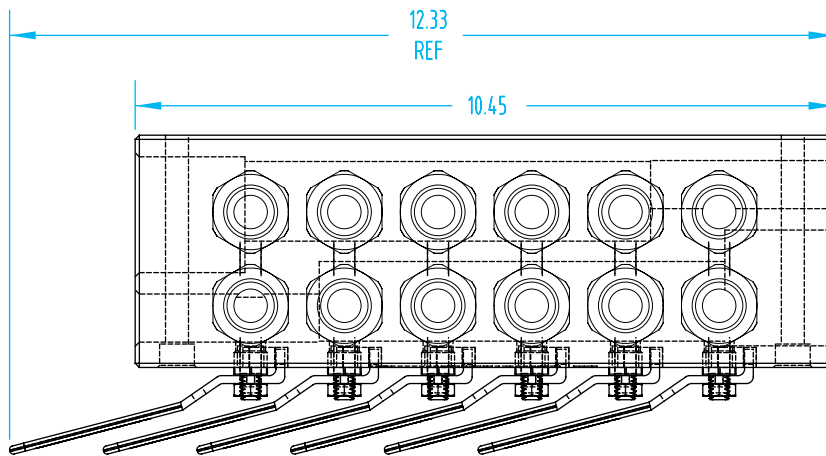
12 Outlet, Aluminum Cluster Model



Features:

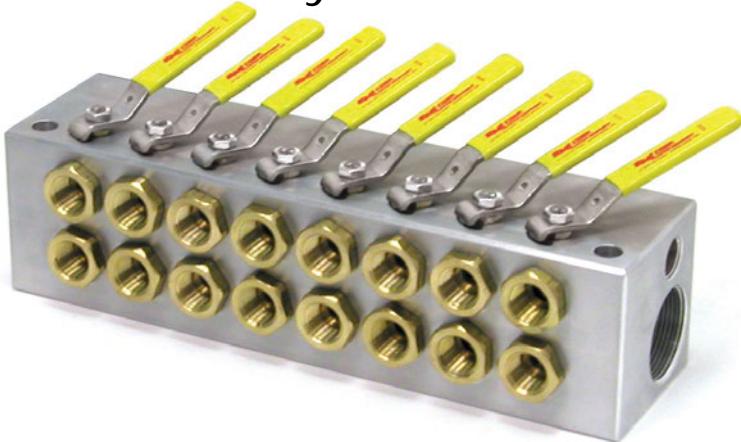
- Constructed from solid cast aluminum for dependable corrosion-free and rust-free operation.
- Perfect when water quality is poor.
- Pressure rated to 120 psi.
- Temperature rated to 180°F.
- Brass ball valves are self cleaning for low maintenance.
- Valves are reinforced with PTFE seats for lubrication-free operation.

Quick#	Part#	Description	Price each
W009	AMSP6	1½" NPT End Ports, ½" NPT Outlets (12)	\$428

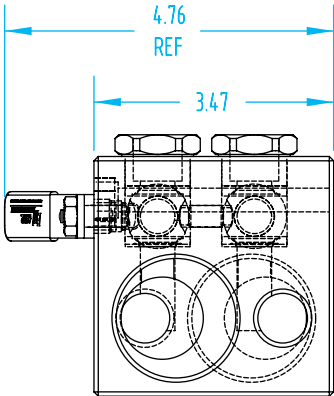


Synchronized Aluminum Water Manifolds

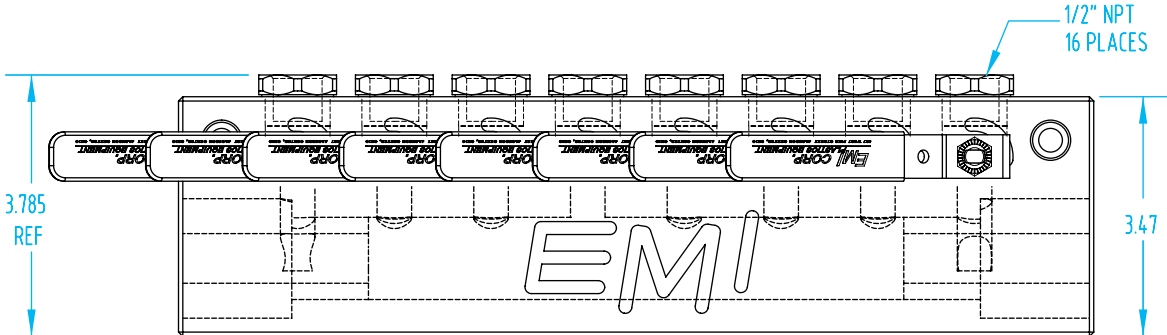
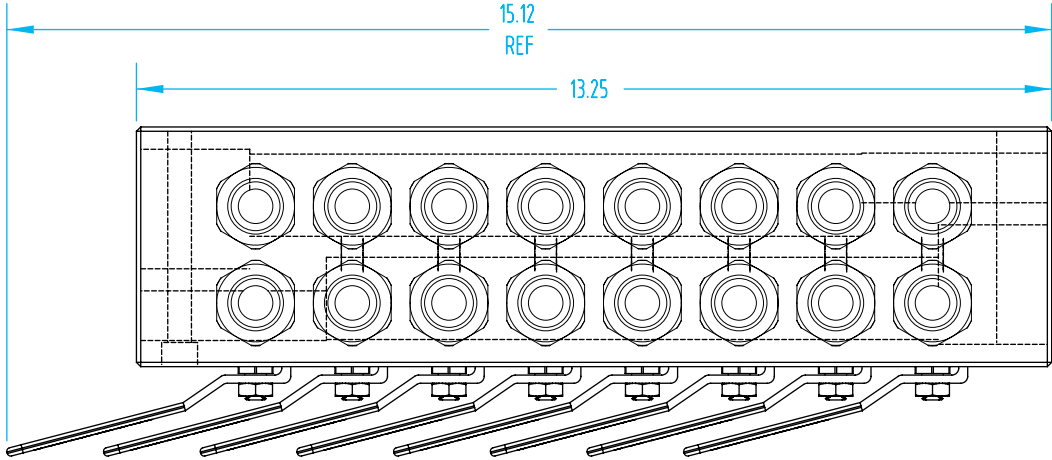
16 Outlet, Aluminum Cluster Model



See pages 161–165 for hose, fittings, valves, and end plugs



Quick#	Part#	Description	Price each
W010	AMSP8	1 1/2" NPT End Ports, 1/2" NPT Outlets (16)	\$576



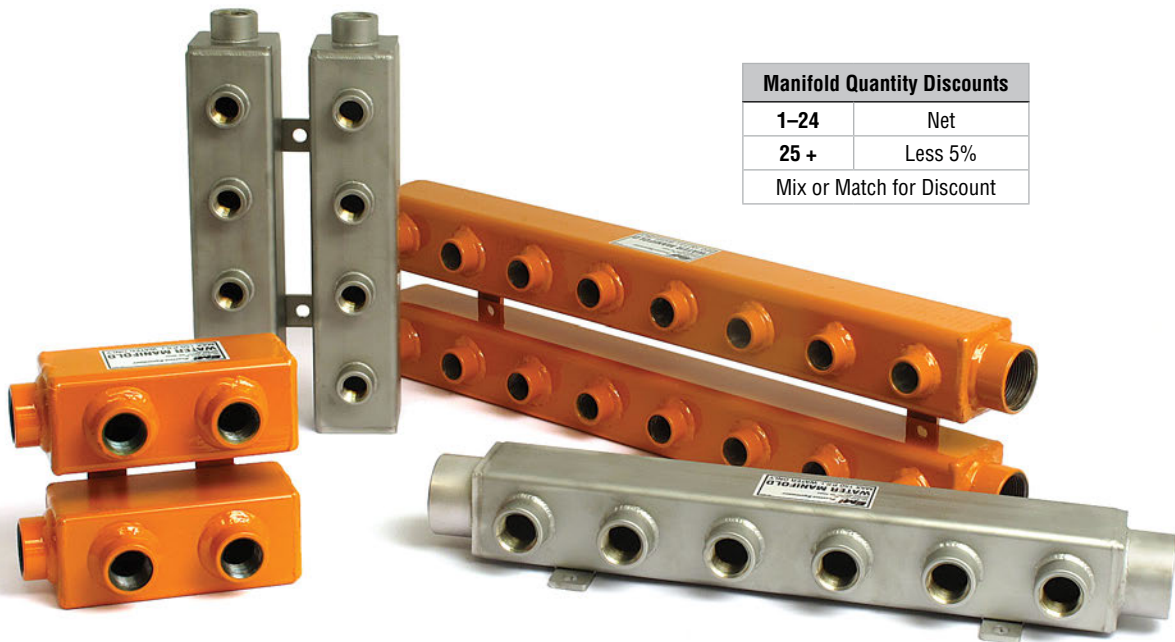
Powder Coated Steel and Stainless Steel Manifolds

All powder coated and stainless manifolds are STOCKED for immediate shipment!

EMI's **Stainless Steel & Powder Coated Steel Water Manifolds** help you increase cycles through more efficient water distribution. They can reduce the number of hoses to the mold and help to keep hoses tidy. Plus, they can be mounted close to the mold to provide maximum flow volumes. Couplings are spaced on centers of 2 3/4" to provide room for ball valves and quick disconnect fittings.

Since stainless steel will not corrode, and they work well if your plant has poor water quality. The extra investment pays off fast in lower maintenance.

[Can't find the size you need? Click here to download our Order Form!](#)



Manifold Quantity Discounts	
1-24	Net
25 +	Less 5%
Mix or Match for Discount	

Powder Coated Steel and Stainless Steel Manifold Models:



4 Outlets with 3/4" NPT, & 1" NPT End Ports, Page 82



4 Outlets with 3/4" NPT, & 1" NPT End Ports, Page 83
(with middle divider plate)



4 Outlets with 1/2" NPT, & 3/4" NPT End Ports, Page 84
4 Outlets with 1/2" NPT, & 1" NPT End Ports, Page 85
4 Outlets with 3/4" NPT, & 1 1/2" NPT End Ports, Page 86

Water Manifold Overview

Powder Coated Steel and Stainless Steel Manifold Models:



6 Outlets with 1/2" NPT, & 3/4" NPT End Ports, Page 87
 6 Outlets with 1/2" NPT, & 1" NPT End Ports, Page 88
 6 Outlets with 3/4" NPT, & 1 1/2" NPT End Ports, Page 89



8 Outlets with 1/2" NPT, & 3/4" NPT End Ports, Page 90
 (with middle divider plate)



8 Outlets with 1/2" NPT, & 1 1/4" NPT End Ports, Page 91
 8 Outlets with 3/4" NPT, & 1 1/4" NPT End Ports, Page 92
 8 Outlets with 3/4" NPT, & 1 1/2" NPT End Ports, Page 93



8 Outlets with 1/2" NPT, & 3/4" NPT End Ports, Page 94
 8 Outlets with 1/2" NPT, & 1" NPT End Ports, Page 95
 8 Outlets with 3/4" NPT, & 1" NPT End Ports, Page 96



10 Outlets with 3/4" NPT, & 1 1/2" NPT End Ports, Page 97



12 Outlets with 1/2" NPT, & 1" NPT End Ports, Page 98
 12 Outlets with 3/4" NPT, & 1" NPT End Ports, Page 99



16 Outlets with 1/2" NPT, & 1 1/4" NPT End Ports, Page 100
 16 Outlets with 3/4" NPT, & 1 1/4" NPT End Ports, Page 101
 16 Outlets with 3/4" NPT, & 1 1/2" NPT End Ports, Page 102



20 Outlets with 3/4" NPT, & 1 1/2" NPT End Ports, Page 103

Water Manifolds

4 Outlet Manifold with 1" NPT End Ports

3/4" NPT Outlets

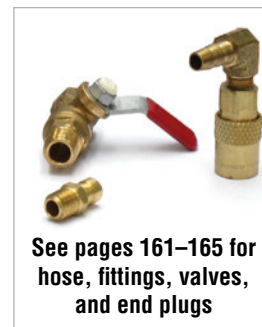
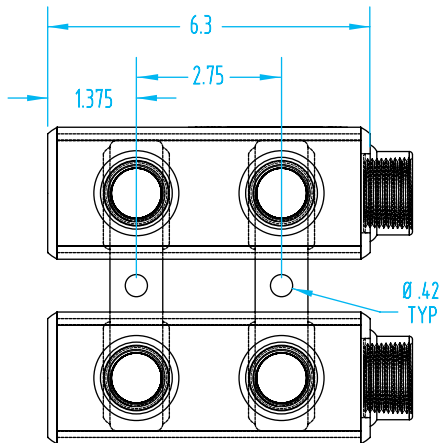
Features:

- Stainless Steel water manifolds reduce overall manifold expenses with durable construction for maximum service life in any molding environment.
- Powder coated manifolds are manufactured from heavy-gauge mild steel.
- Threaded couplings are welded in place.
- Pre-drilled mounting brackets for easy mounting.
- Pressure rated to 120 psi.
- Temperature rated to 300°F.

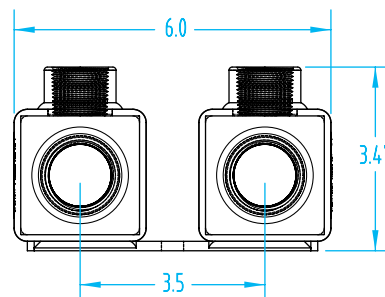
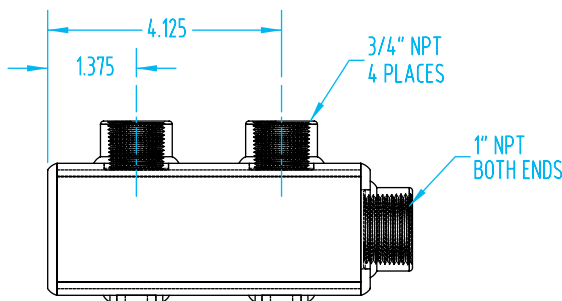


Quick#	Part#	Steel Type	Price
W065	CWM-L-2S2	Powder Coated	\$72
W066	CWM-L-2S2-CR	Stainless	\$170

Need something custom? Download Double Tube Order Form here.



See pages 161–165 for hose, fittings, valves, and end plugs



Water Manifolds

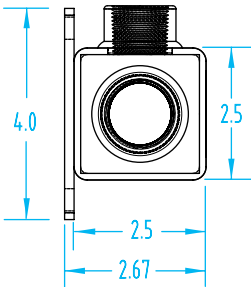
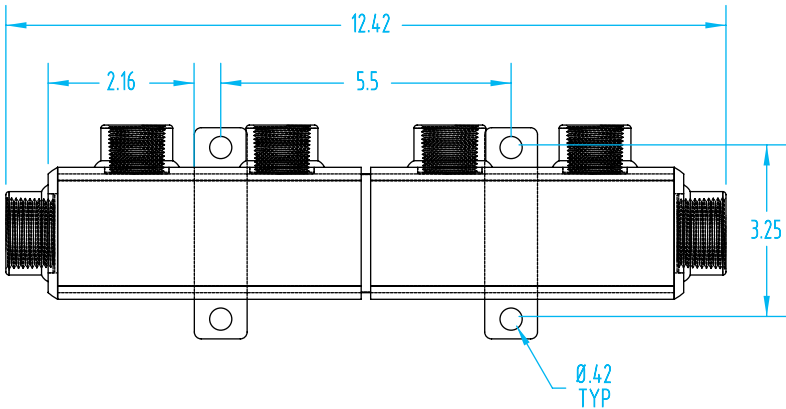
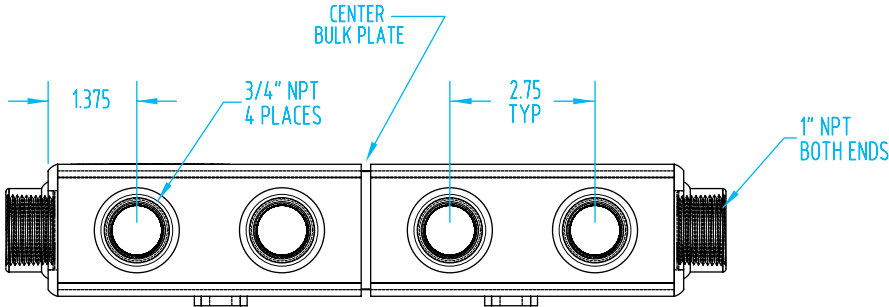
4 Outlet Manifold with 1" NPT End Ports
 3/4" NPT Outlets



***Note: With Center Bulk Plate Divider**

Quick#	Part#	Steel Type	Price
W059	CWM-L-22	Powder Coated	\$70
W060	CWM-L-22-CR	Stainless	\$139

Need something custom? Download Single Tube Order Form here.



Water Manifolds

4 Outlet Manifold with 3/4" NPT End Ports

1/2" NPT Outlets

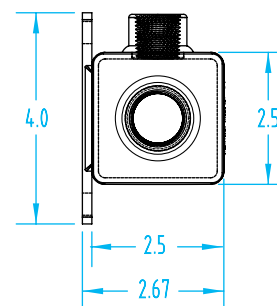
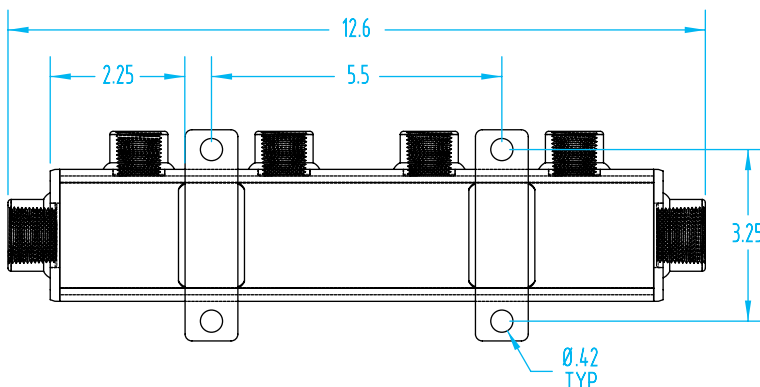
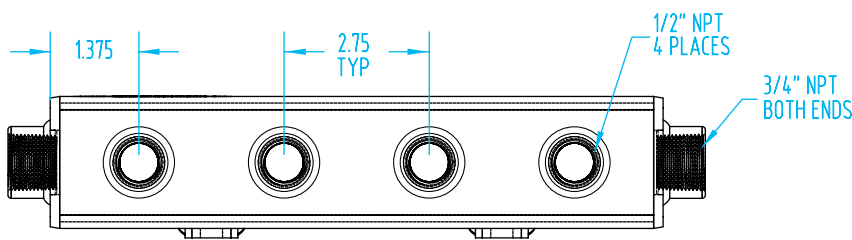
Features:

- Stainless Steel water manifolds reduce overall manifold expenses with durable construction for maximum service life in any molding environment.
- Powder coated manifolds are manufactured from heavy-gauge mild steel.
- Threaded couplings are welded in place.
- Pre-drilled mounting brackets for easy mounting.
- Pressure rated to 120 psi.
- Temperature rated to 300°F.



Quick#	Part#	Steel Type	Price
W057	CWM-4	Powder Coated	\$62
W058	CWM-4-CR	Stainless	\$117

Need something custom? Download Single Tube Order Form here.



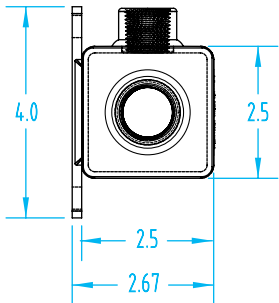
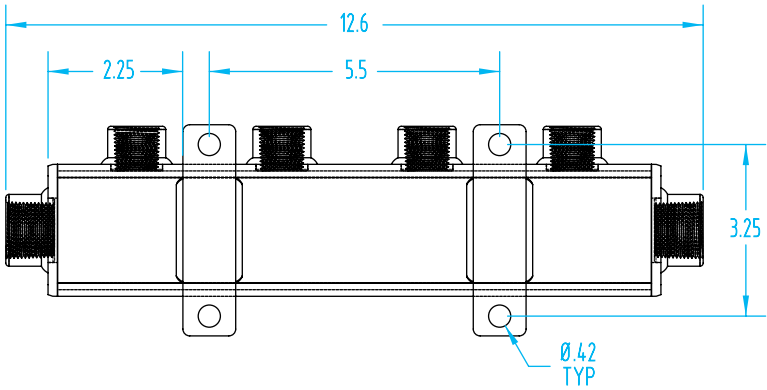
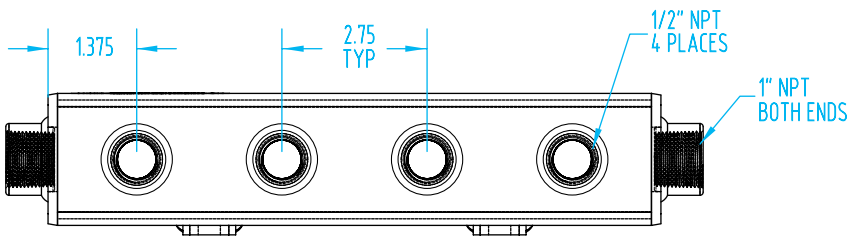
Water Manifolds

4 Outlet Manifold with 1" NPT End Ports
1/2" NPT Outlets



Quick#	Part#	Steel Type	Price
W400	CWM1-4-50	Powder Coated	\$68
W401	CWM1-4-50-CR	Stainless	\$122

Need something custom? Download Single Tube Order Form here.



Water Manifolds

4 Outlet Manifold with 1½" NPT End Ports

¾" NPT Outlets

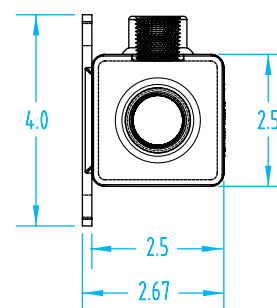
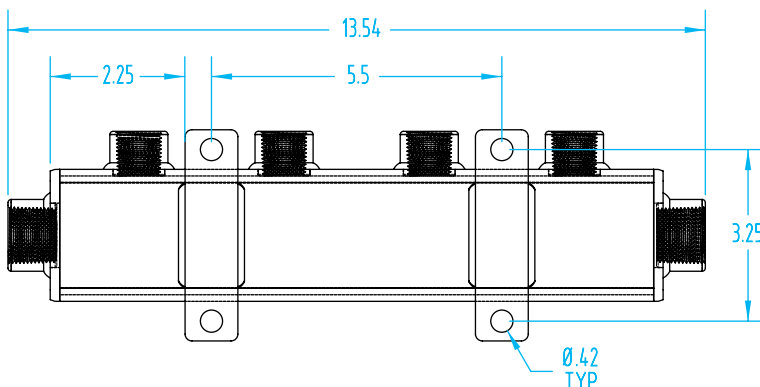
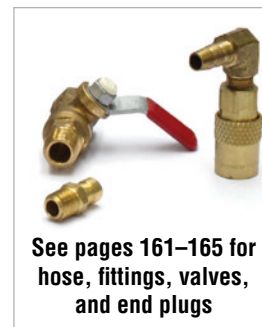
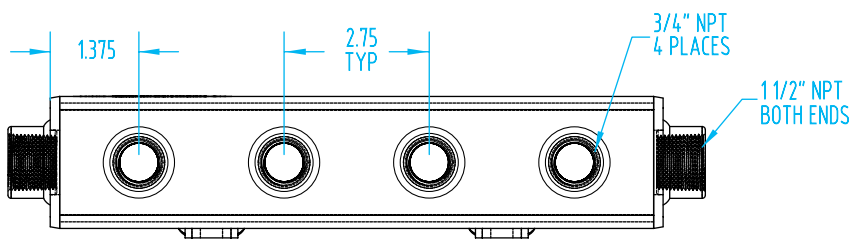
Features:

- Stainless Steel water manifolds reduce overall manifold expenses with durable construction for maximum service life in any molding environment.
- Powder coated manifolds are manufactured from heavy-gauge mild steel.
- Threaded couplings are welded in place.
- Pre-drilled mounting brackets for easy mounting.
- Pressure rated to 120 psi.
- Temperature rated to 300°F.



Quick#	Part#	Steel Type	Price
W402	CWM15-4-75	Powder Coated	\$75
W403	CWM15-4-75-CR	Stainless	\$130

Need something custom? Download Single Tube Order Form here.



Water Manifolds

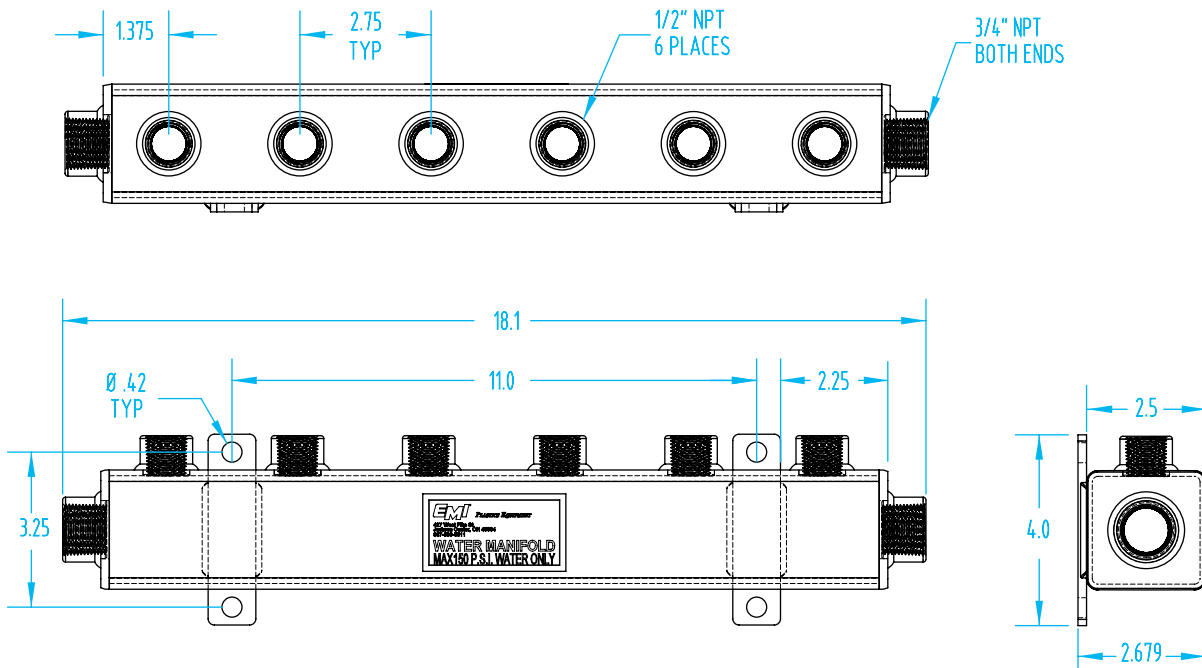
6 Outlet Manifold with 3/4" NPT End Ports

1/2" NPT Outlets



Quick#	Part#	Steel Type	Price
W404	CWM75-6-50	Powder Coated	\$91
W405	CWM75-6-50-CR	Stainless	\$166

Need something custom? Download Single Tube Order Form here.



Water Manifolds

6 Outlet Manifold with 1" NPT End Ports

½" NPT Outlets

Features:

- Stainless Steel water manifolds reduce overall manifold expenses with durable construction for maximum service life in any molding environment.
- Powder coated manifolds are manufactured from heavy-gauge mild steel.
- Threaded couplings are welded in place.
- Pre-drilled mounting brackets for easy mounting.
- Pressure rated to 120 psi.
- Temperature rated to 300°F.

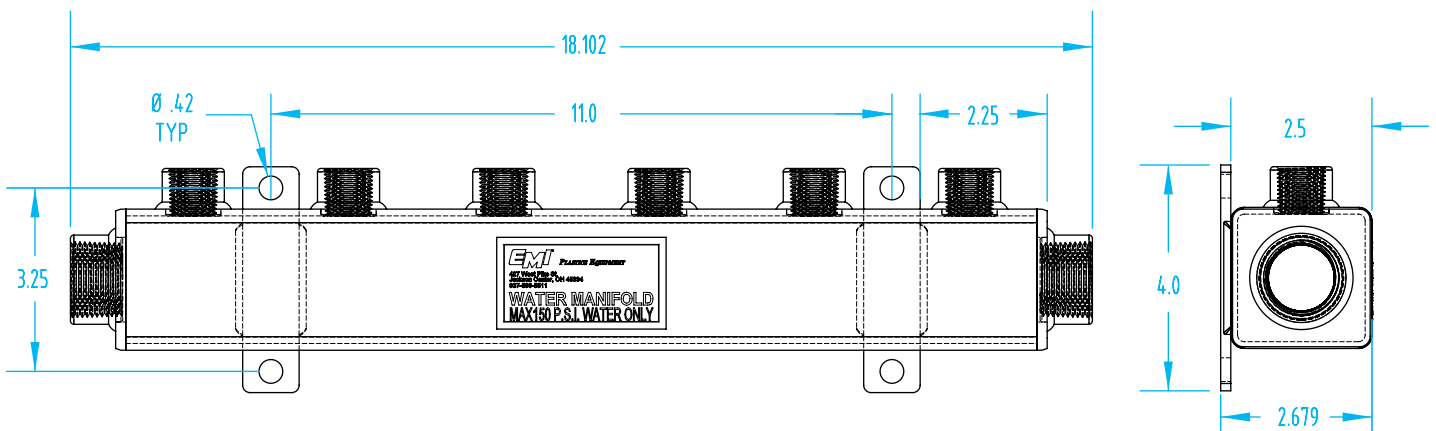
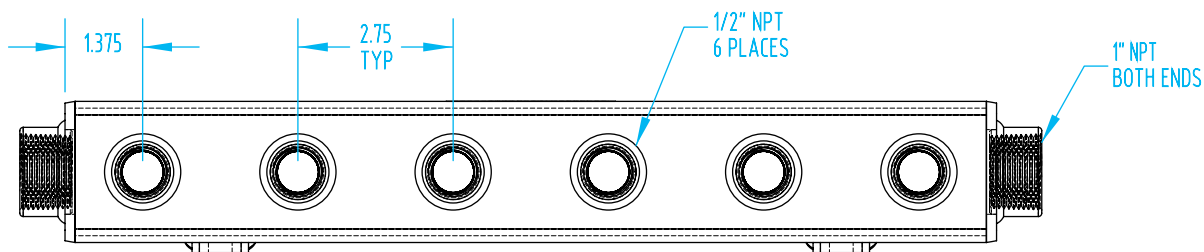


Quick#	Part#	Steel Type	Price
W406	CWM1-6-50	Powder Coated	\$91
W407	CWM1-6-50-CR	Stainless	\$166

Need something custom? Download Single Tube Order Form here.



See pages 161–165 for hose, fittings, valves, and end plugs



Water Manifolds

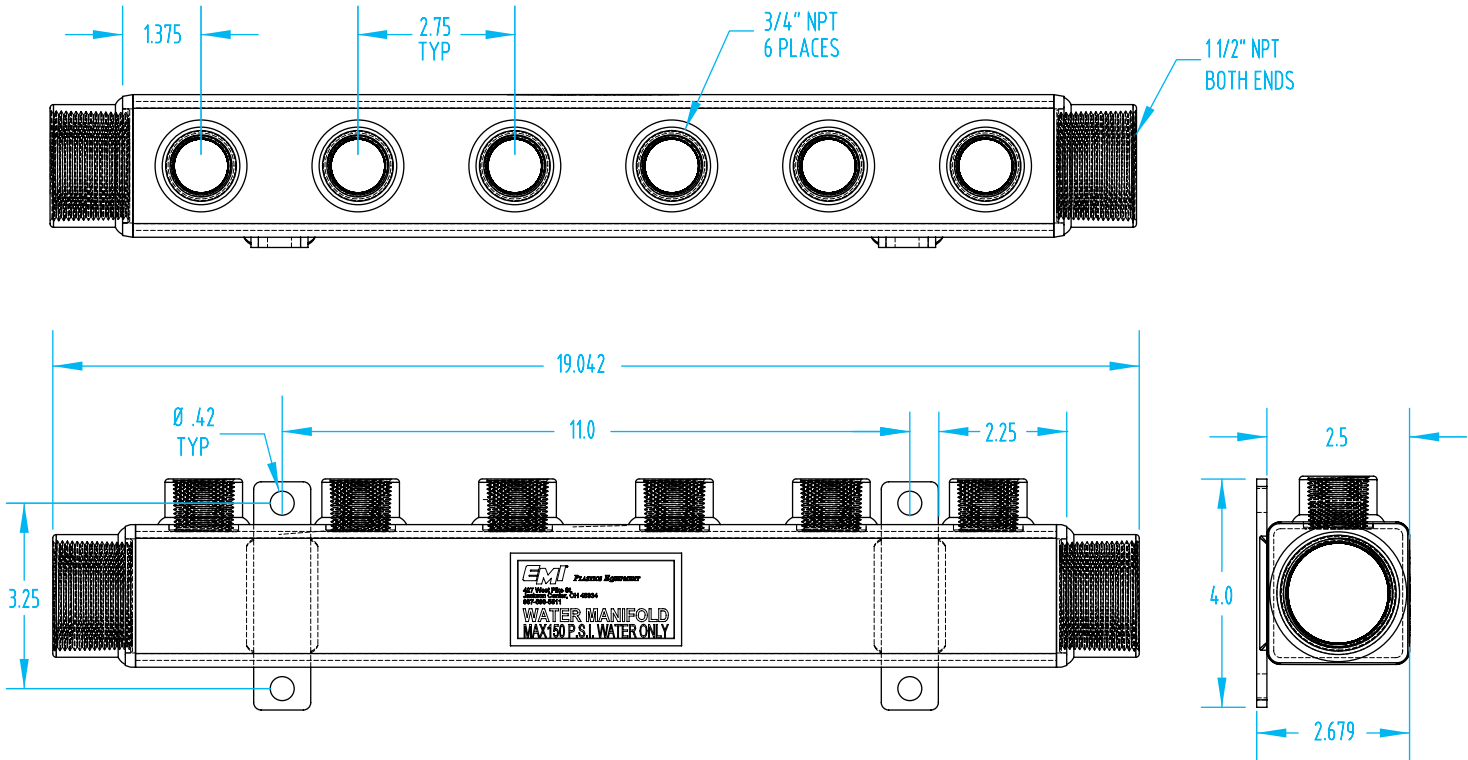
6 Outlet Manifold with 1½" NPT End Ports
¾" NPT Outlets



Quick#	Part#	Steel Type	Price
W408	CWM15-6-75	Powder Coated	\$105
W409	CWM15-6-75-CR	Stainless	\$194

Need something custom? Download Single Tube Order Form here.

When ordering, use Quick#s to ensure order accuracy.



Water Manifolds

8 Outlet Manifold with 3/4" NPT End Ports

1/2" NPT Outlets

Features:

- Stainless Steel water manifolds reduce overall manifold expenses with durable construction for maximum service life in any molding environment.
- Powder coated manifolds are manufactured from heavy-gauge mild steel.
- Threaded couplings are welded in place.
- Pre-drilled mounting brackets for easy mounting.
- Pressure rated to 120 psi.
- Temperature rated to 300°F.



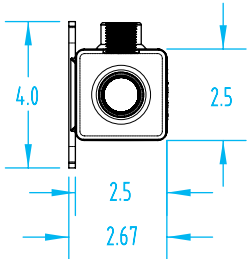
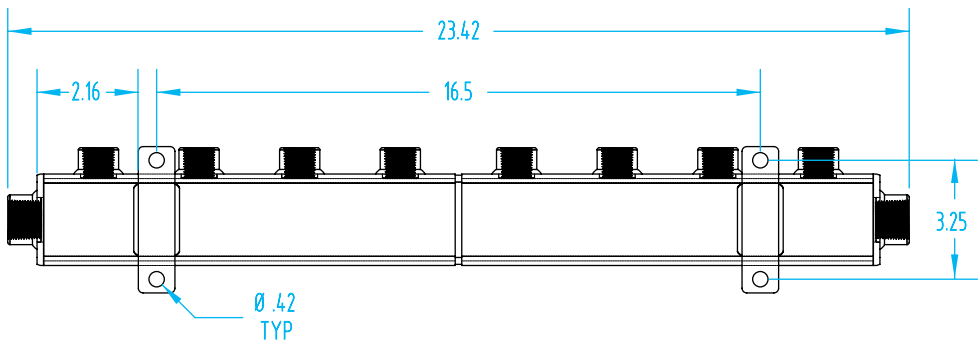
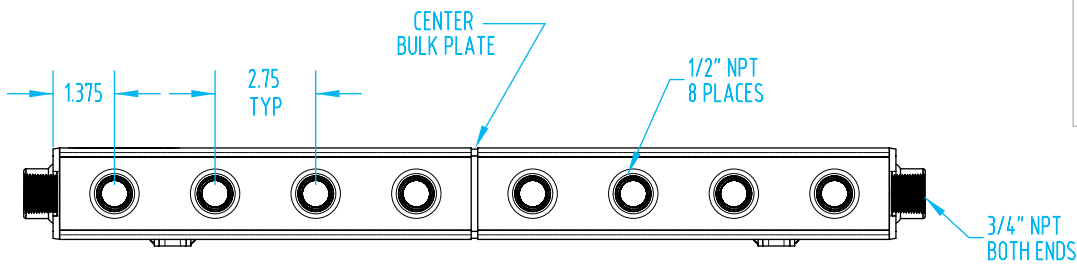
***Note: With Center Bulk Plate Divider**

Quick#	Part#	Steel Type	Price
W071	CWM-44	Powder Coated	\$94
W072	CWM-44-CR	Stainless	\$212

Need something custom? Download Single Tube Order Form here.



See pages 161–165 for hose, fittings, valves, and end plugs



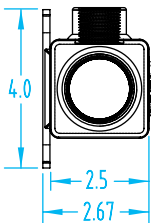
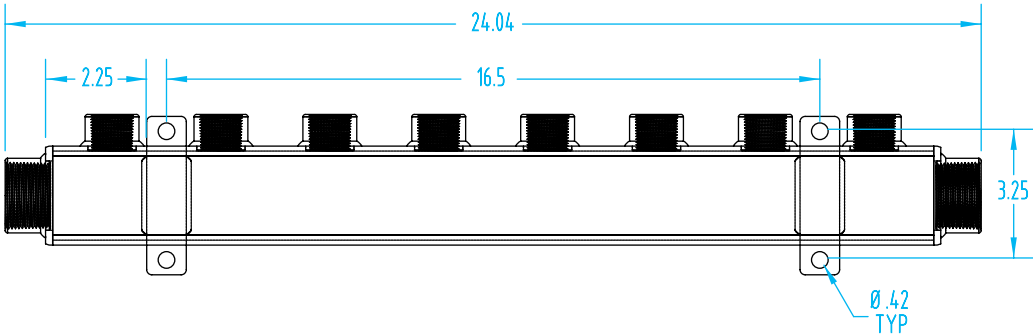
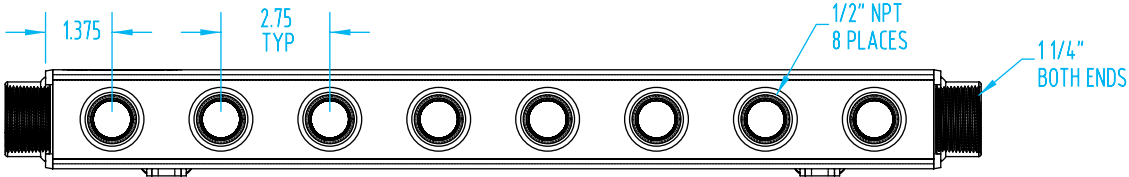
Water Manifolds

8 Outlet Manifold with 1 1/4" NPT End Ports
1/2" NPT Outlets



Quick#	Part#	Steel Type	Price
W410	CWM125-8A-50	Powder Coated	\$91
W411	CWM125-8A-50-CR	Stainless	\$195

Need something custom? [Download Single Tube Order Form here.](#)



Water Manifolds

8 Outlet Manifold with 1 1/4" NPT End Ports

3/4" NPT Outlets

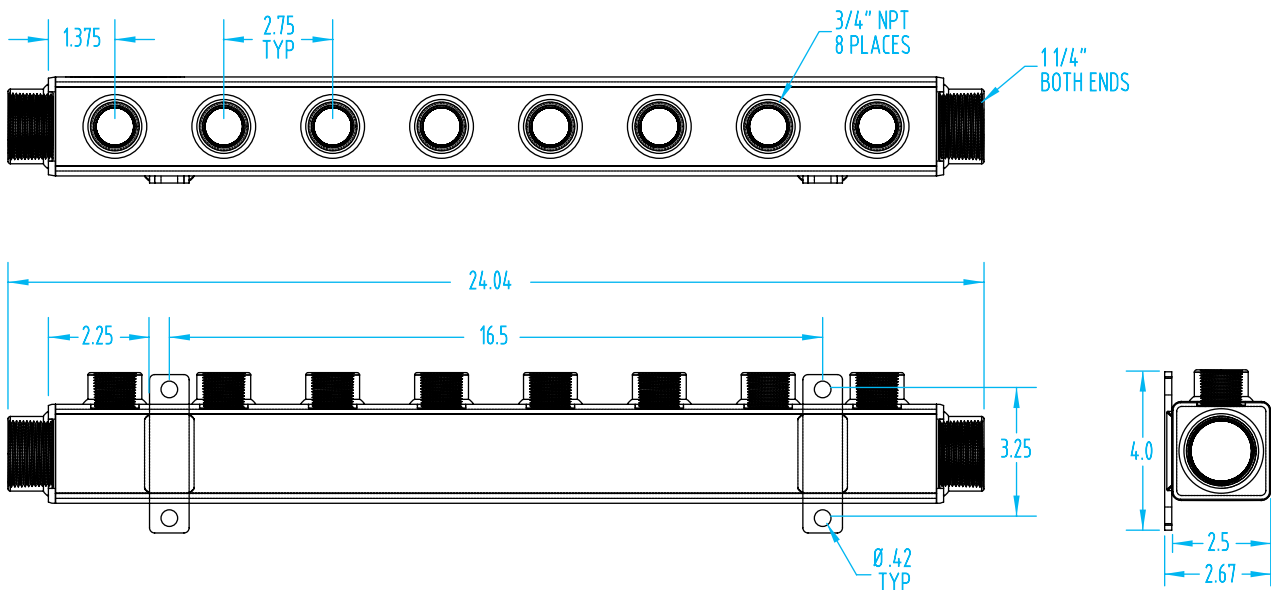
Features:

- Stainless Steel water manifolds reduce overall manifold expenses with durable construction for maximum service life in any molding environment.
- Powder coated manifolds are manufactured from heavy-gauge mild steel.
- Threaded couplings are welded in place.
- Pre-drilled mounting brackets for easy mounting.
- Pressure rated to 120 psi.
- Temperature rated to 300°F.



Quick#	Part#	Steel Type	Price
W069	CWM-8A	Powder Coated	\$94
W070	CWM-8A-CR	Stainless	\$198

Need something custom? Download Single Tube Order Form here.



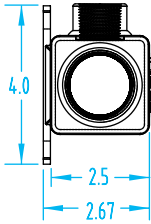
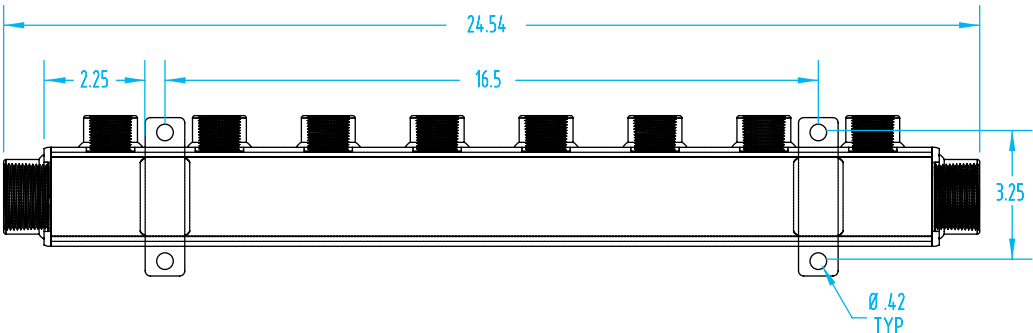
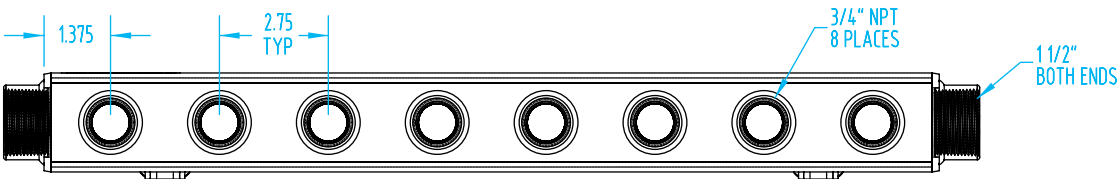
Water Manifolds

8 Outlet Manifold with 1½" NPT End Ports
¾" NPT Outlets



Quick#	Part#	Steel Type	Price
W384	CWM15-8A-75	Powder Coated	\$105
W385	CWM15-8A-75-CR	Stainless	\$208

Need something custom? Download Single Tube Order Form here.



Water Manifolds

8 Outlet Manifold with 3/4" NPT End Ports

1/2" NPT Outlets

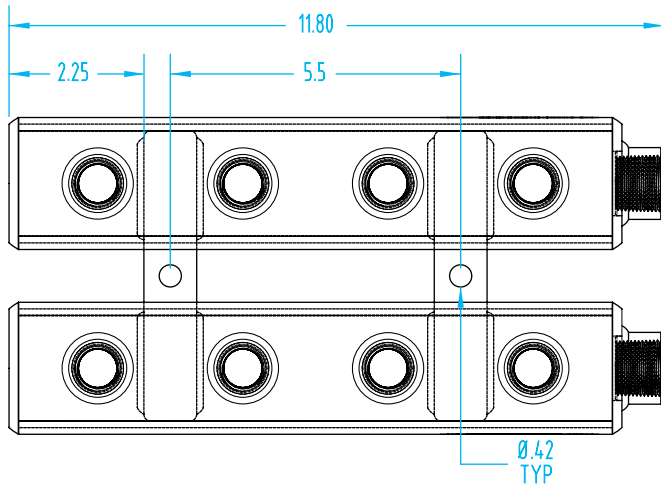
Features:

- Stainless Steel water manifolds reduce overall manifold expenses with durable construction for maximum service life in any molding environment.
- Powder coated manifolds are manufactured from heavy-gauge mild steel.
- Threaded couplings are welded in place.
- Pre-drilled mounting brackets for easy mounting.
- Pressure rated to 120 psi.
- Temperature rated to 300°F.

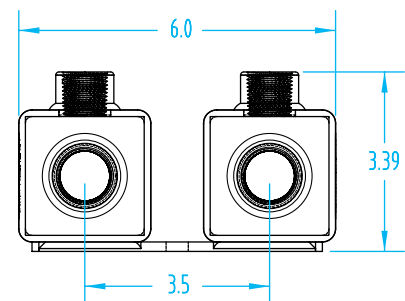
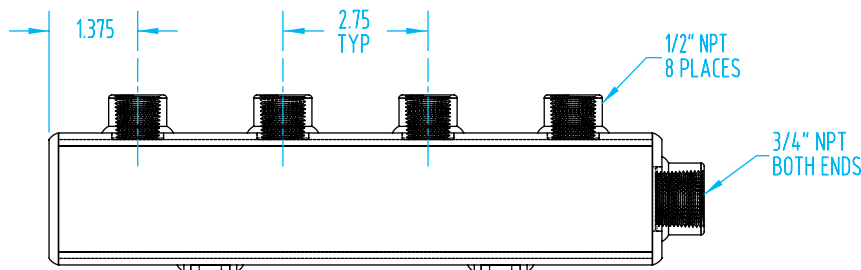


Quick#	Part#	Steel Type	Price
W063	CWM-4S4	Powder Coated	\$100
W064	CWM-4S4-CR	Stainless	\$244

Need something custom? Download Double Tube Order Form here.



See pages 161–165 for hose, fittings, valves, and end plugs



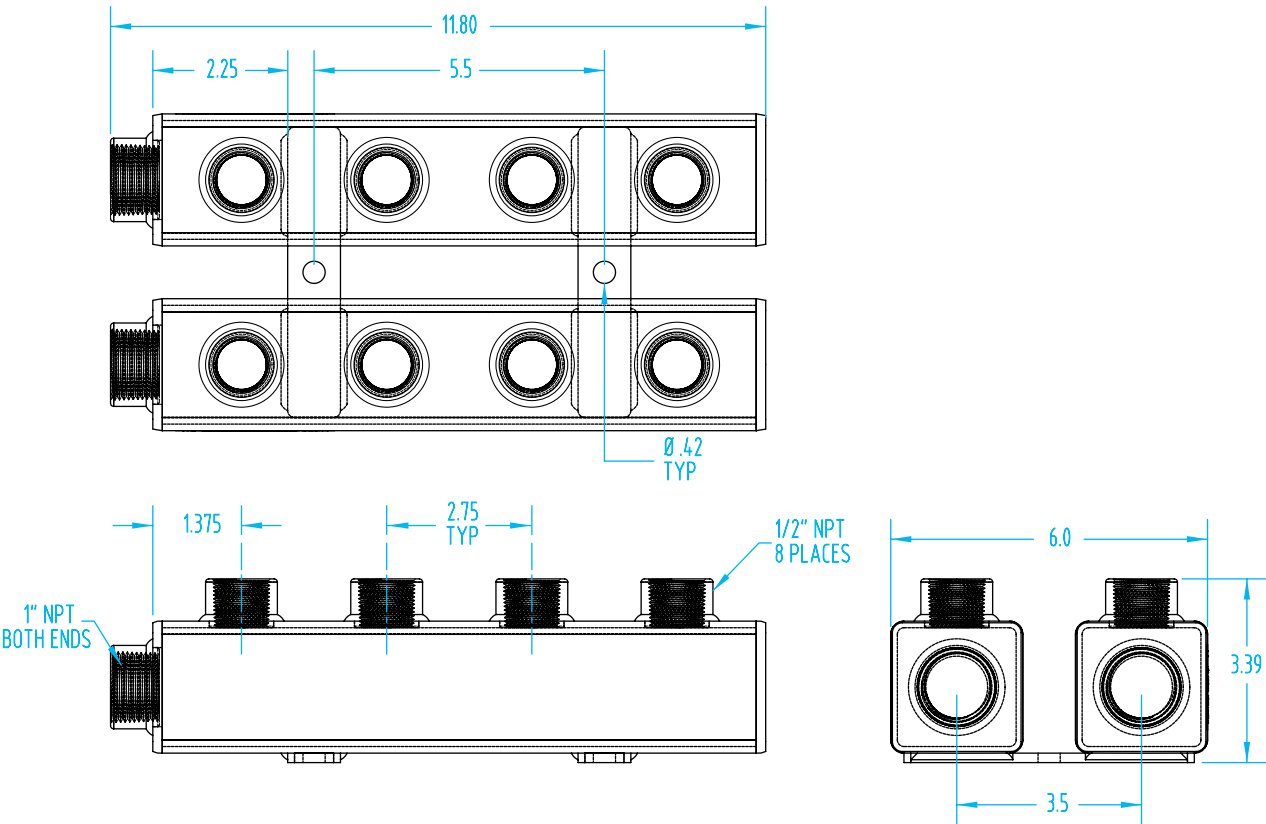
Water Manifolds

8 Outlet Manifold with 1" NPT End Ports
 1/2" NPT Outlets



Quick#	Part#	Steel Type	Price
W388	CWM1-4S4-50	Powder Coated	\$98
W389	CWM1-4S4-50-CR	Stainless	\$244

Need something custom? Download Double Tube Order Form here.



Water Manifolds

8 Outlet Manifold with 1" NPT End Ports

3/4" NPT Outlets

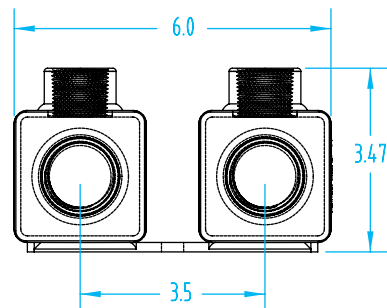
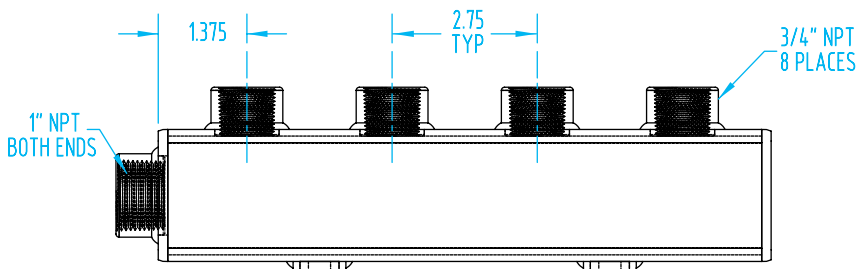
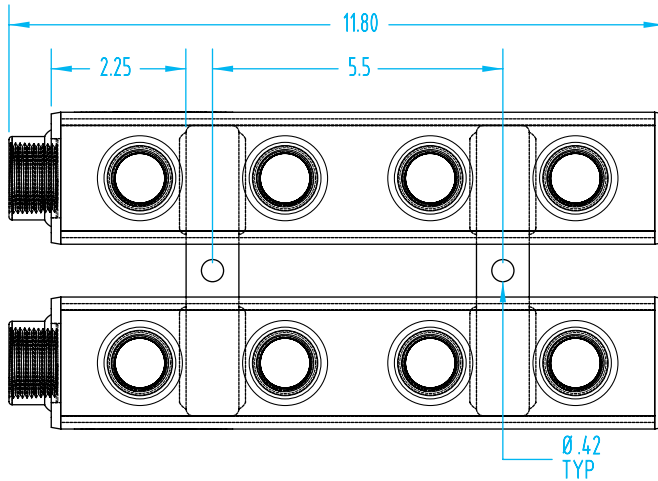
Features:

- Stainless Steel water manifolds reduce overall manifold expenses with durable construction for maximum service life in any molding environment.
- Powder coated manifolds are manufactured from heavy-gauge mild steel.
- Threaded couplings are welded in place.
- Pre-drilled mounting brackets for easy mounting.
- Pressure rated to 120 psi.
- Temperature rated to 300°F.



Quick#	Part#	Steel Type	Price
W061	CWM-L-4S4	Powder Coated	\$98
W062	CWM-L-4S4-CR	Stainless	\$244

Need something custom? Download Double Tube Order Form here.



Water Manifolds

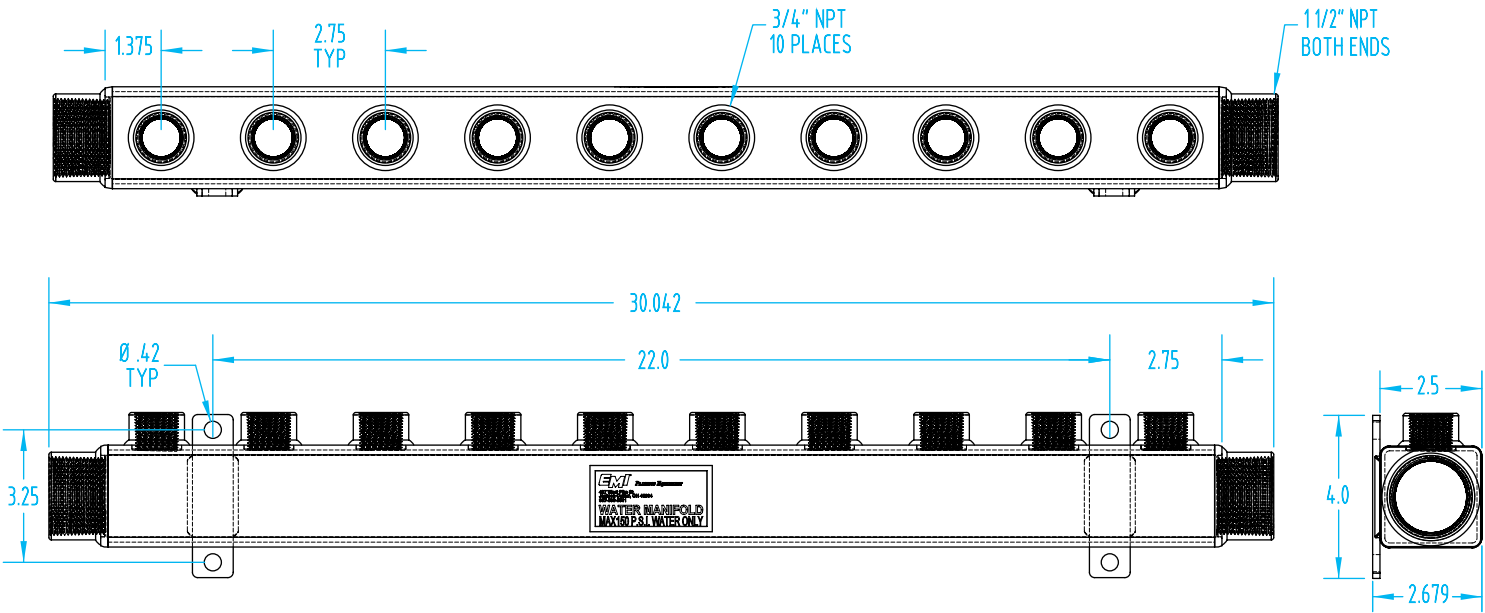
10 Outlet Manifold with 1½" NPT End Ports
¾" NPT Outlets



Quick#	Part#	Steel Type	Price
W390	CWM15-10-75	Powder Coated	\$120
W391	CWM15-10-75-CR	Stainless	\$247

Need something custom? Download Single Tube Order Form here.

When ordering, use Quick#s to ensure order accuracy.



Water Manifolds

12 Outlet Manifold with 1" NPT End Ports

½" NPT Outlets

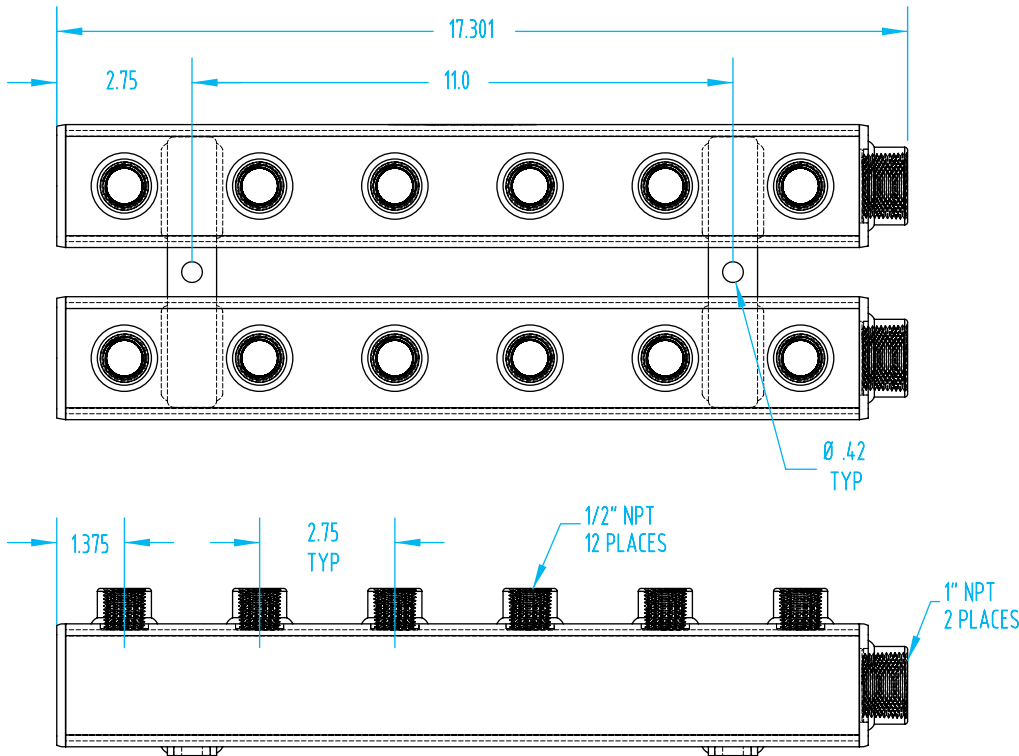
Features:

- Stainless Steel water manifolds reduce overall manifold expenses with durable construction for maximum service life in any molding environment.
- Powder coated manifolds are manufactured from heavy-gauge mild steel.
- Threaded couplings are welded in place.
- Pre-drilled mounting brackets for easy mounting.
- Pressure rated to 120 psi.
- Temperature rated to 300°F.

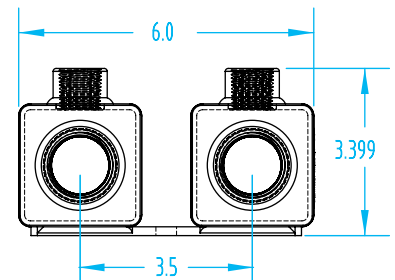


Quick#	Part#	Steel Type	Price
W392	CWM1-6S6-50	Powder Coated	\$147
W393	CWM1-6S6-50-CR	Stainless	\$320

Need something custom? Download Double Tube Order Form here.



See pages 161–165 for hose, fittings, valves, and end plugs



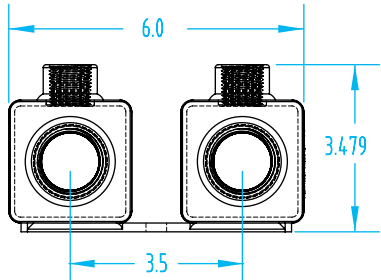
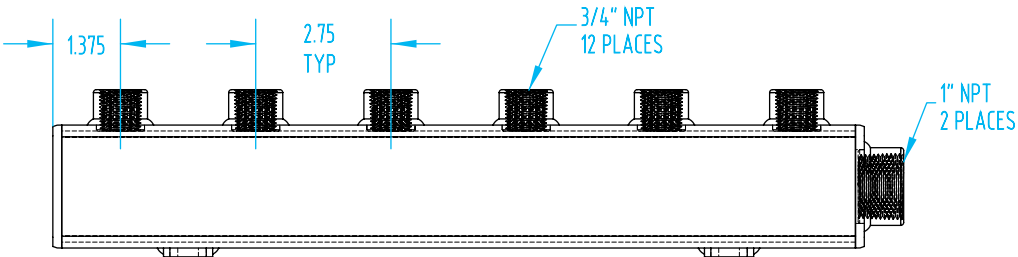
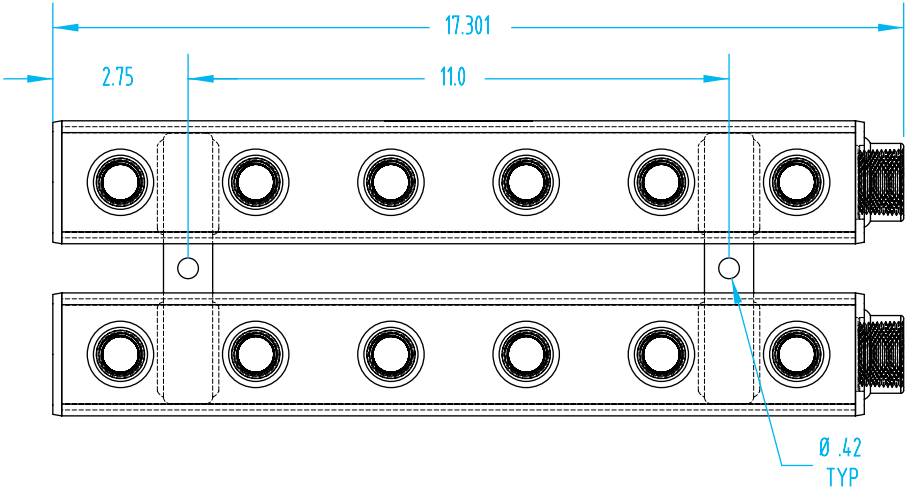
Water Manifolds

12 Outlet Manifold with 1" NPT End Ports
 3/4" NPT Outlets



Quick#	Part#	Steel Type	Price
W394	CWM1-6S6-75	Powder Coated	\$155
W395	CWM1-6S6-75-CR	Stainless	\$328

Need something custom? Download Double Tube Order Form here.



Water Manifolds

16 Outlet Manifold with 1 1/4" NPT End Ports

1/2" NPT Outlets

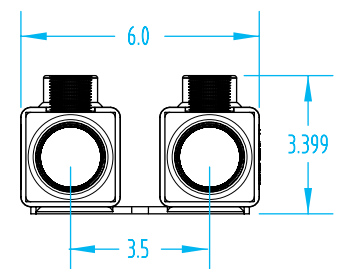
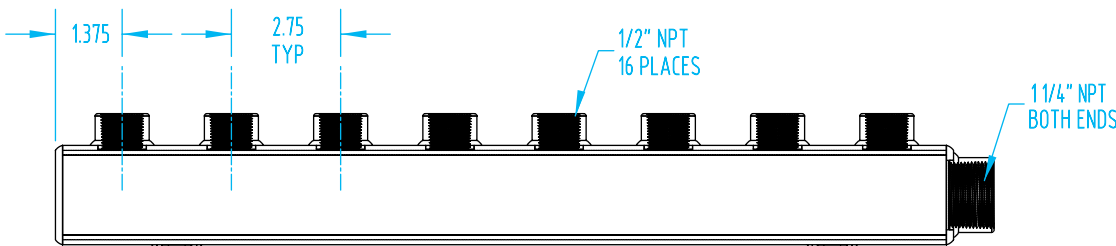
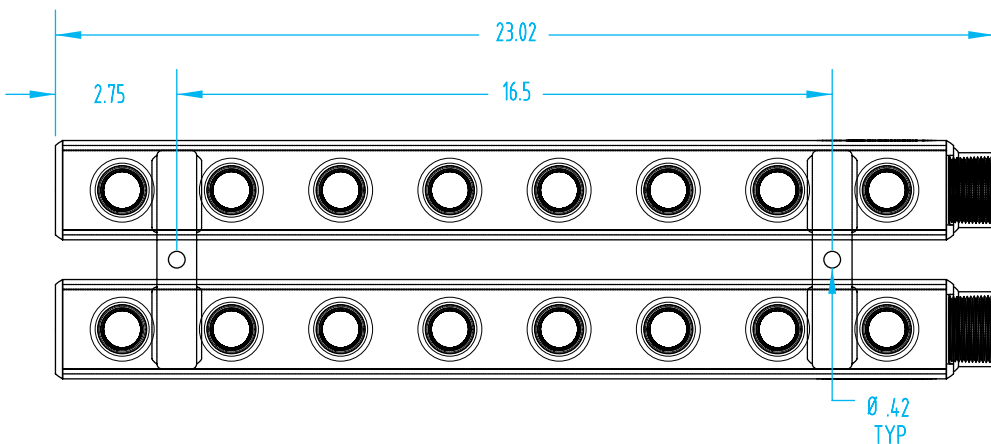
Features:

- Stainless Steel water manifolds reduce overall manifold expenses with durable construction for maximum service life in any molding environment.
- Powder coated manifolds are manufactured from heavy-gauge mild steel.
- Threaded couplings are welded in place.
- Pre-drilled mounting brackets for easy mounting.
- Pressure rated to 120 psi.
- Temperature rated to 300°F.



Quick#	Part#	Steel Type	Price
W396	CWM125-8S8A-50	Powder Coated	\$153
W397	CWM125-8S8A-50-CR	Stainless	\$369

Need something custom? Download Double Tube Order Form here.



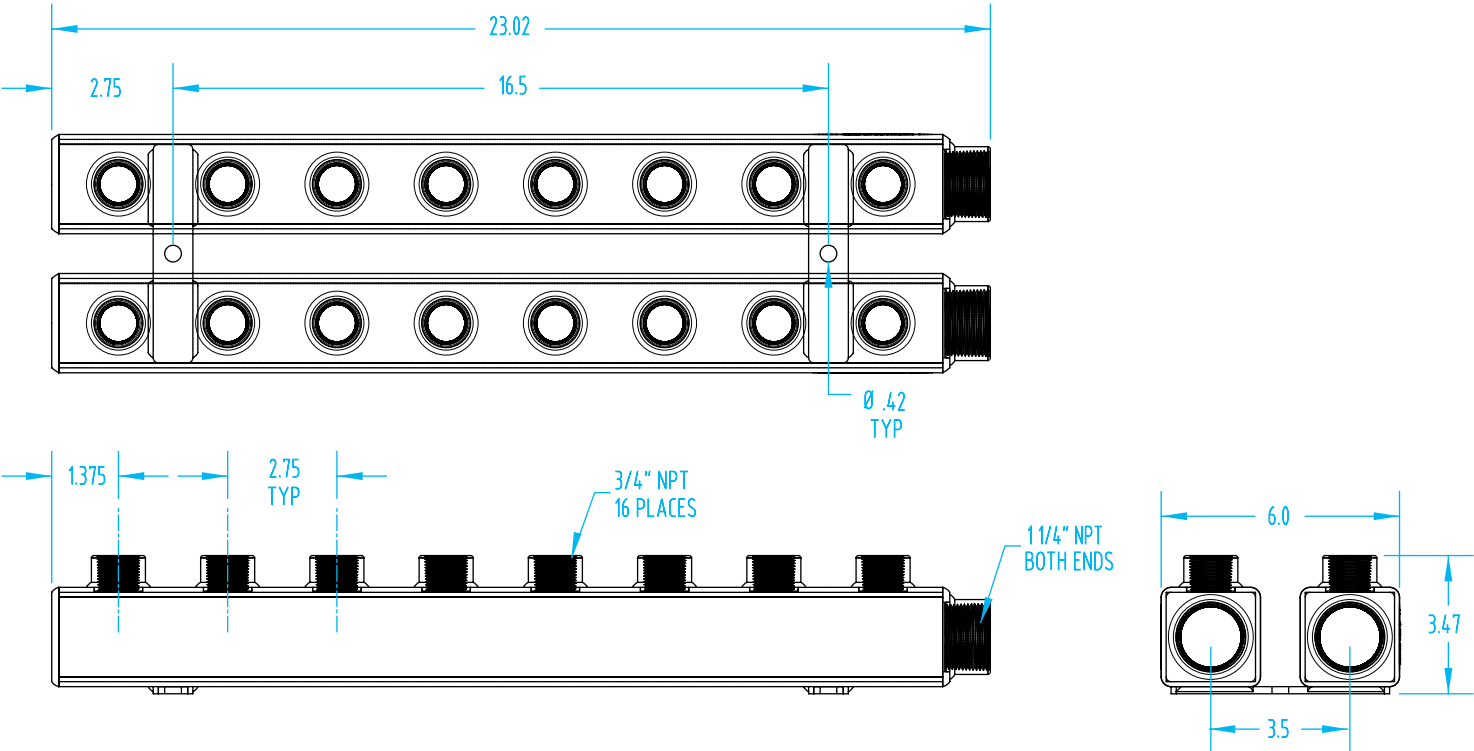
Water Manifolds

16 Outlet Manifold with 1 1/4" NPT End Ports
 3/4" NPT Outlets



Quick#	Part#	Steel Type	Price
W067	CWM-8S8A	Powder Coated	\$153
W068	CWM-8S8A-CR	Stainless	\$369

Need something custom? Download Double Tube Order Form here.



Water Manifolds

16 Outlet Manifold with 1 1/2" NPT End Ports

3/4" NPT Outlets

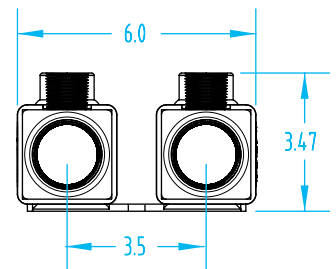
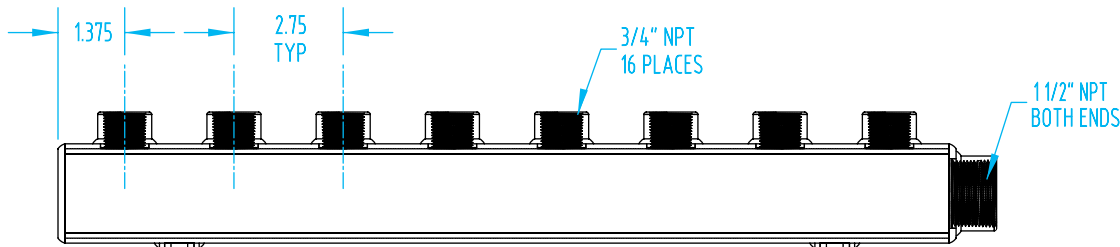
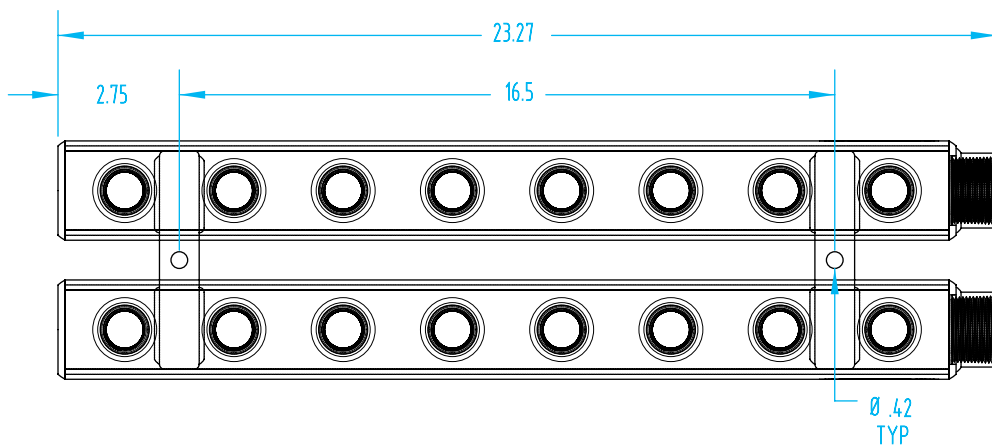
Features:

- Stainless Steel water manifolds reduce overall manifold expenses with durable construction for maximum service life in any molding environment.
- Powder coated manifolds are manufactured from heavy-gauge mild steel.
- Threaded couplings are welded in place.
- Pre-drilled mounting brackets for easy mounting.
- Pressure rated to 120 psi.
- Temperature rated to 300°F.



Quick#	Part#	Steel Type	Price
W398	CWM15-8S8A-75	Powder Coated	\$176
W399	CWM15-8S8A-75-CR	Stainless	\$391

Need something custom? [Download Double Tube Order Form here.](#)



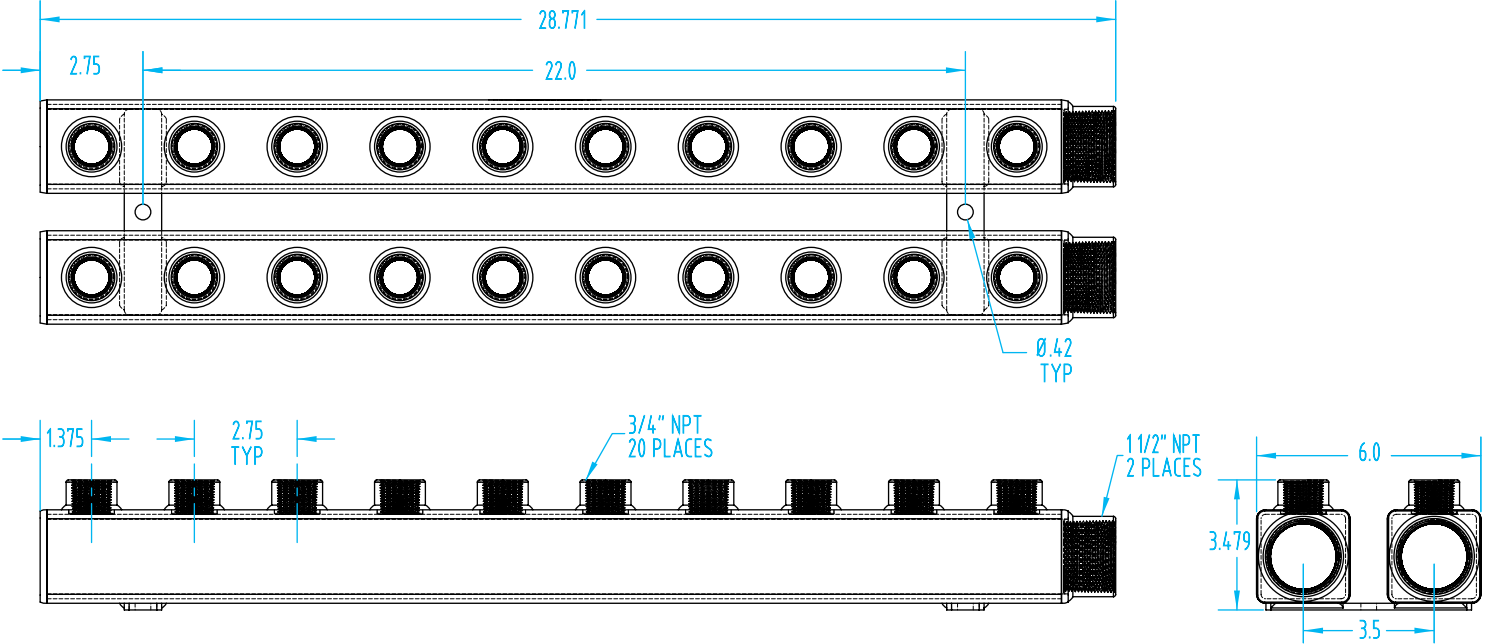
Water Manifolds

20 Outlet Manifold with 1 1/2" NPT End Ports
 3/4" NPT Outlets



Quick#	Part#	Steel Type	Price
W386	CWM15-10S10A-75	Powder Coated	\$220
W387	CWM15-10S10A-75-CR	Stainless	\$434

Need something custom? [Download Double Tube Order Form here.](#)



Configurable Manifold Series

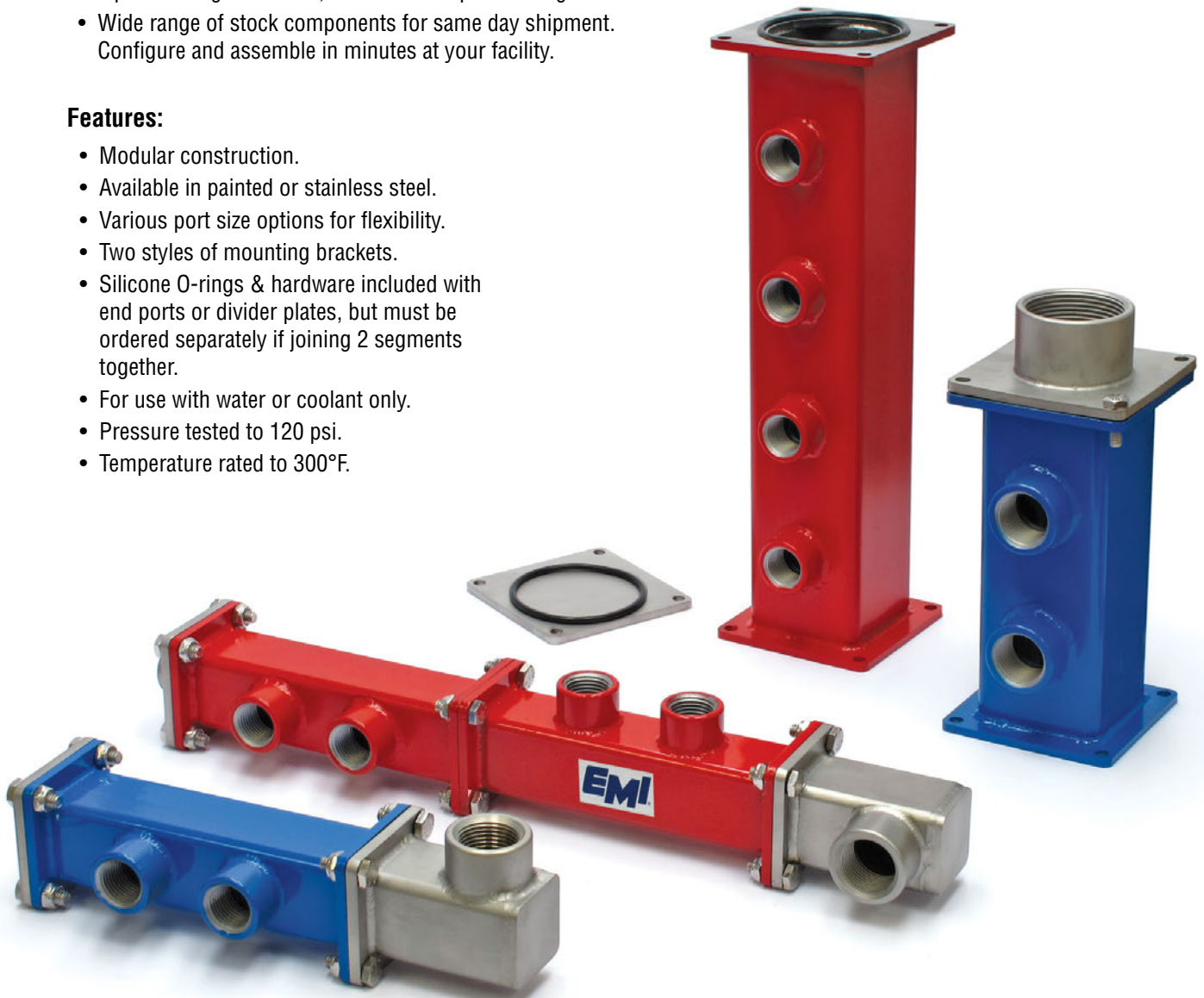
EMI's most versatile manifold design, the Configurable Manifold System!

- Change Inlet / Outlet size on End Port Segments or Inlet / Outlet size on Body Segments.
- Increase or decrease total number of outlet ports should your application change.
- Configure and reconfigure orientation of outlet ports.
- Reposition in 90° increments to suit application, then easily return to original configuration whenever necessary.
- Mix and match different sizes of outlet ports, customizing to your application instead of using reducer bushings or other methods.
- Two stock tubing sizes to serve you better. Our standard 2½" square tubing and a new, smaller 1½" square tubing size.
- Wide range of stock components for same day shipment. Configure and assemble in minutes at your facility.

Need something custom?
Download Order Form here.

Features:

- Modular construction.
- Available in painted or stainless steel.
- Various port size options for flexibility.
- Two styles of mounting brackets.
- Silicone O-rings & hardware included with end ports or divider plates, but must be ordered separately if joining 2 segments together.
- For use with water or coolant only.
- Pressure tested to 120 psi.
- Temperature rated to 300°F.



Configurable Manifold Series

Configure yours in 4 easy steps:

Step 1:

- Determine the style that best suits your needs: Red or Blue Powder Coated or Stainless Steel.

Step 2:

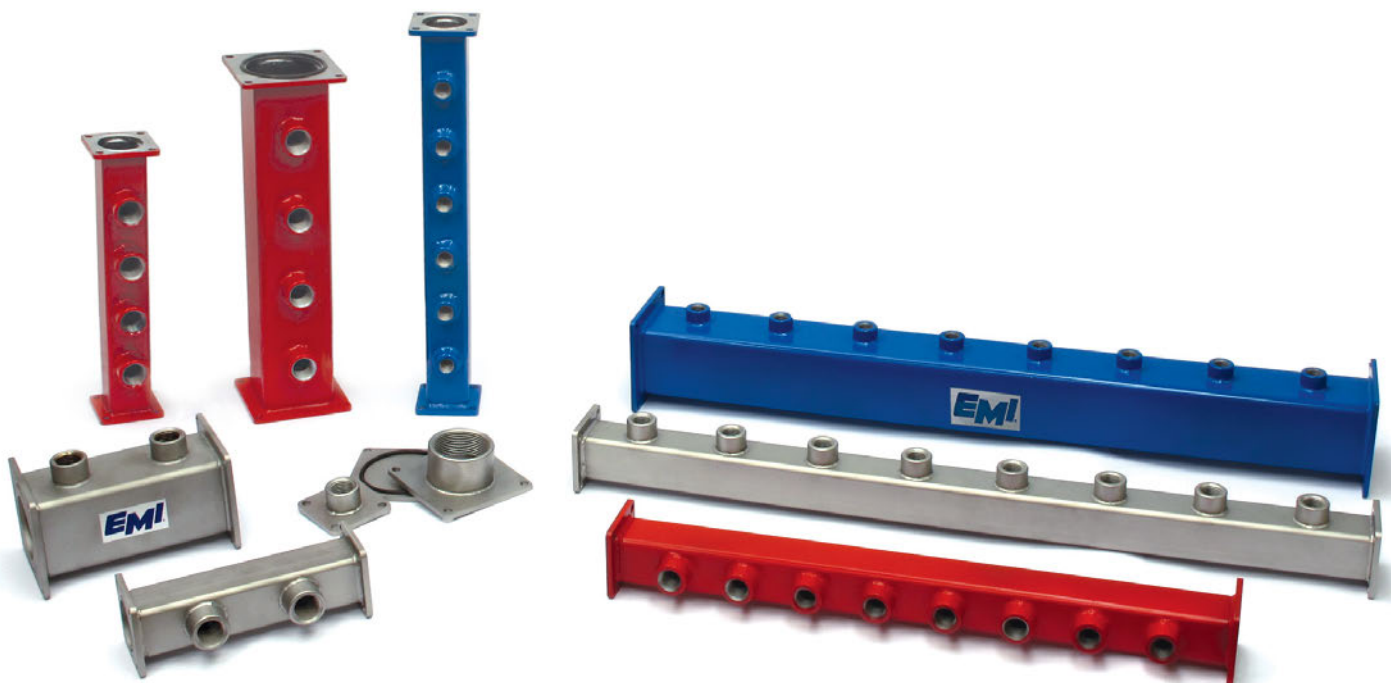
- Determine how many total outlets and what size are required from the manifolds on pages 106–113.

Step 3:

- Choose the correct End Port, End Plate, or Middle Divider (if you are combining two manifolds) from pages 114–115.

Step 4:

- Choose from two mounting bracket styles on page 115.

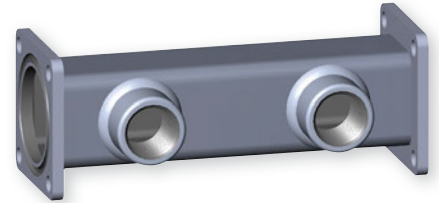


Configurable Manifold Series

1½" Manifold Available in Powder Coated or Stainless Steel

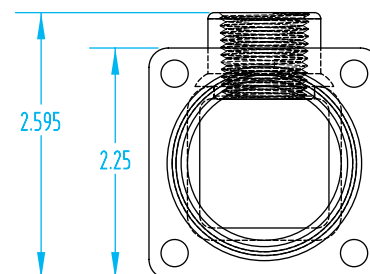
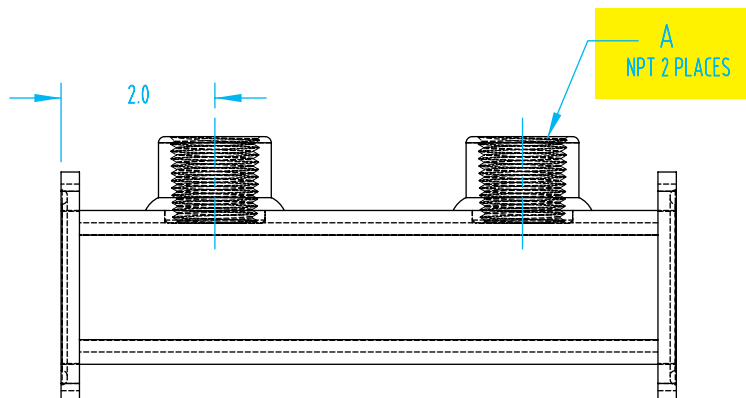
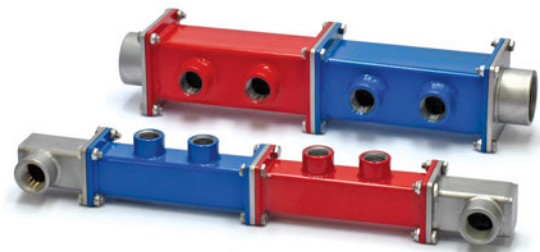
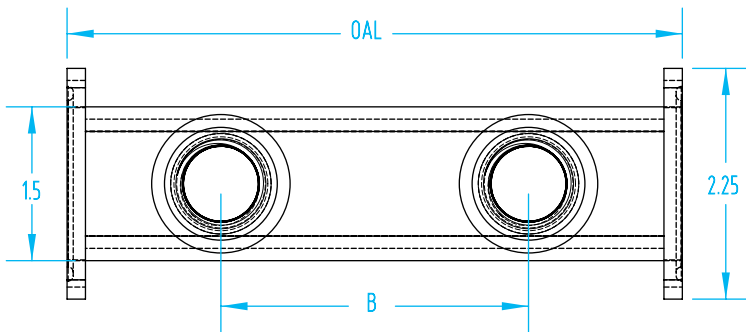
2-Port Segment

Quick#	Part#	Steel Type	A (Outlet Dim.)	B	OAL	Price
W826	SOS25X2R	Red	¼"	2"	6.0"	\$38
W413	SOS25X2B	Blue				\$38
W827	SOS25X2CR	Stainless				\$49
W842	SOS38X2R	Red	⅜"	2"	6"	\$38
W421	SOS38X2B	Blue				\$38
W843	SOS38X2CR	Stainless				\$49
W858	SOS50X2R	Red	½"	2.75"	6.75"	\$90
W429	SOS50X2B	Blue				\$90
W859	SOS50X2CR	Stainless				\$53
W874	SOS75X2R	Red	¾"	2.75"	6.75"	\$40
W437	SOS75X2B	Blue				\$40
W875	SOS75X2CR	Stainless				\$57
W890	SOS1X2R	Red	1"	2.75"	6.75"	\$40
W445	SOS1X2B	Blue				\$40
W891	SOS1X2CR	Stainless				\$62



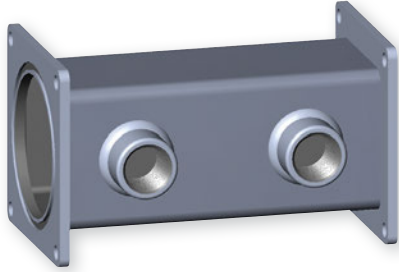
After choosing the correct size manifold, refer to pages 114–115 for end ports, blank end plates, or middle divider plates to complete your manifold. Brackets are also available.

Hardware/O-ring included with end ports or divider plates, but must be ordered separately if joining 2 segments together.



Configurable Manifold Series

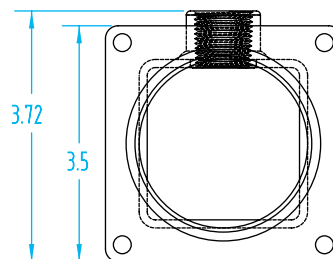
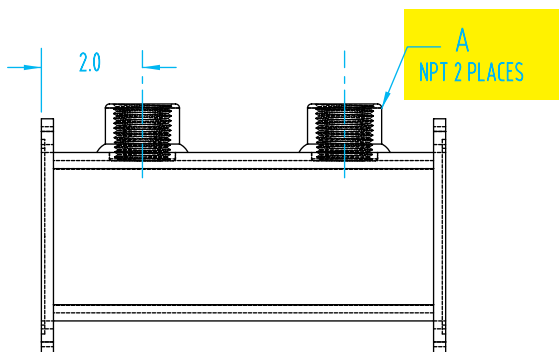
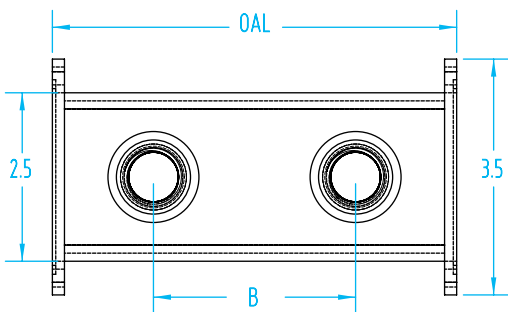
2½" Manifold Available in Powder Coated or Stainless Steel
2-Port Segment



Quick#	Part#	Steel Type	A (Outlet Dim.)	B	OAL	Price
W828	LOS25X2R	Red	¼"	2"	6.0"	\$40
W414	LOS25X2B	Blue				\$40
W829	LOS25X2CR	Stainless				\$62
W844	LOS38X2R	Red	⅜"	2"	6"	\$40
W422	LOS38X2B	Blue				\$40
W845	LOS38X2CR	Stainless				\$62
W860	LOS50X2R	Red	½"	2.75"	6.75"	\$42
W430	LOS50X2B	Blue				\$42
W861	LOS50X2CR	Stainless				\$65
W876	LOS75X2R	Red	¾"	2.75"	6.75"	\$43
W438	LOS75X2B	Blue				\$43
W877	LOS75X2CR	Stainless				\$70
W892	LOS1X2R	Red	1"	2.75"	6.75"	\$43
W446	LOS1X2B	Blue				\$43
W893	LOS1X2CR	Stainless				\$75
W906	LOS125X2R	Red	1¼"	3.5"	7.5"	\$46
W453	LOS125X2B	Blue				\$46
W907	LOS125X2CR	Stainless				\$85
W914	LOS150X2R	Red	1½"	3.5"	7.5"	\$51
W457	LOS150X2B	Blue				\$51
W915	LOS150X2CR	Stainless				\$108

After choosing the correct size manifold, refer to pages 114–115 for end ports, blank end plates, or middle divider plates to complete your manifold. Brackets are also available.

Hardware/O-ring included with end ports or divider plates, but must be ordered separately if joining 2 segments together.



Configurable Manifold Series

1½" Manifold Available in Powder Coated or Stainless Steel

4-Port Segment

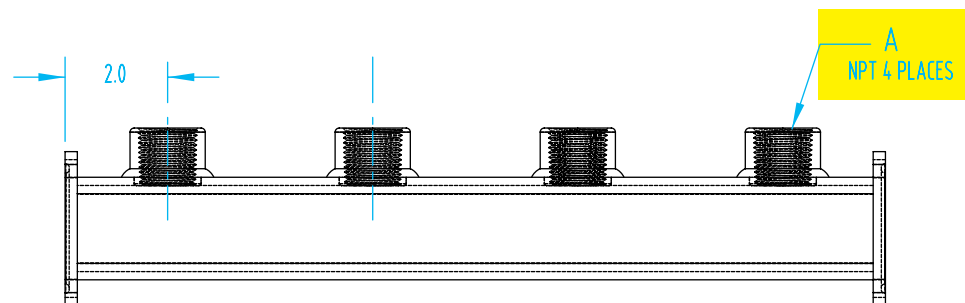
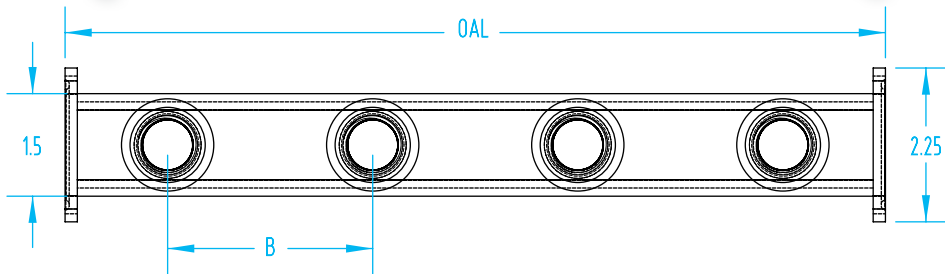
Quick#	Part#	Steel Type	A (Outlet Dim.)	B	OAL	Price
W830	SOS25X4R	Red	¼"	2"	10"	\$47
W415	SOS25X4B	Blue				\$47
W831	SOS25X4CR	Stainless				\$68
W846	SOS38X4R	Red	⅜"	2"	10"	\$48
W423	SOS38X4B	Blue				\$48
W847	SOS38X4CR	Stainless				\$68
W862	SOS50X4R	Red	½"	2.75"	12.25"	\$48
W431	SOS50X4B	Blue				\$48
W863	SOS50X4CR	Stainless				\$74
W878	SOS75X4R	Red	¾"	2.75"	12.25"	\$51
W439	SOS75X4B	Blue				\$51
W879	SOS75X4CR	Stainless				\$83
W894	SOS1X4R	Red	1"	2.75"	12.25"	\$52
W447	SOS1X4B	Blue				\$52
W895	SOS1X4CR	Stainless				\$94



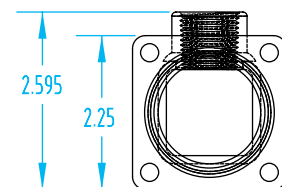
Shown above: 2½" powder coated red manifold, 1½" stainless steel manifold & 1½" blue manifold.

After choosing the correct size manifold, refer to pages 114–115 for end ports, blank end plates, or middle divider plates to complete your manifold. Brackets are also available.

Hardware/O-ring included with end ports or divider plates, but must be ordered separately if joining 2 segments together.



See pages 161–165 for hose, fittings, valves, and end plugs



Configurable Manifold Series

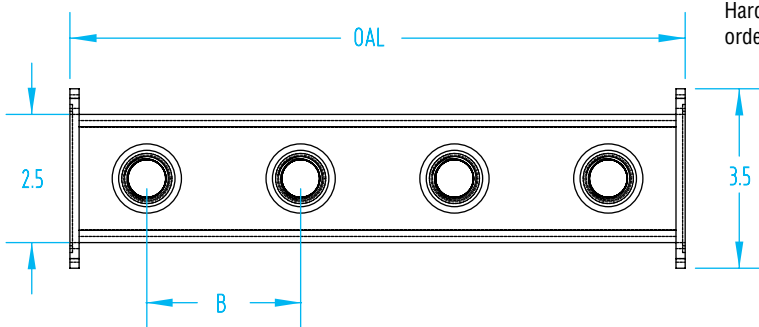
2½" Manifold Available in Powder Coated or Stainless Steel

4-Port Segment

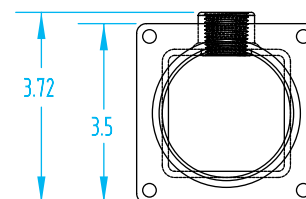
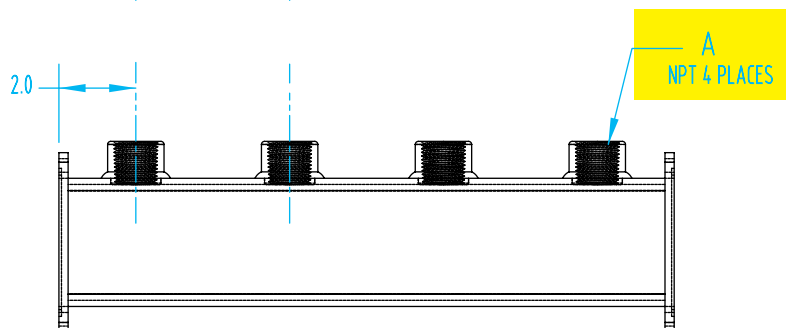


Quick#	Part#	Steel Type	A (Outlet Dim.)	B	OAL	Price
W832	LOS25X4R	Red	¼"	2"	10"	\$52
W416	LOS25X4B	Blue				\$52
W833	LOS25X4CR	Stainless				\$88
W848	LOS38X4R	Red	⅜"	2"	10"	\$52
W424	LOS38X4B	Blue				\$52
W849	LOS38X4CR	Stainless				\$88
W864	LOS50X4R	Red	½"	2.75"	12.25"	\$53
W432	LOS50X4B	Blue				\$53
W865	LOS50X4CR	Stainless				\$95
W880	LOS75X4R	Red	¾"	2.75"	12.25"	\$55
W440	LOS75X4B	Blue				\$55
W881	LOS75X4CR	Stainless				\$107
W896	LOS1X4R	Red	1"	2.75"	12.25"	\$57
W448	LOS1X4B	Blue				\$57
W897	LOS1X4CR	Stainless				\$114
W908	LOS125X4R	Red	1¼"	3.5"	14.5"	\$61
W454	LOS125X4B	Blue				\$61
W909	LOS125X4CR	Stainless				\$134
W916	LOS150X4R	Red	1½"	3.5"	14.5"	\$72
W458	LOS150X4B	Blue				\$72
W917	LOS150X4CR	Stainless				\$181

After choosing the correct size manifold, refer to pages 114–115 for end ports, blank end plates, or middle divider plates to complete your manifold. Brackets are also available.



Hardware/O-ring included with end ports or divider plates, but must be ordered separately if joining 2 segments together.

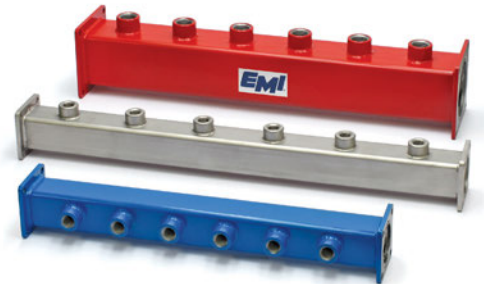


Configurable Manifold Series

1½" Manifold Available in Powder Coated or Stainless Steel

6-Port Segment

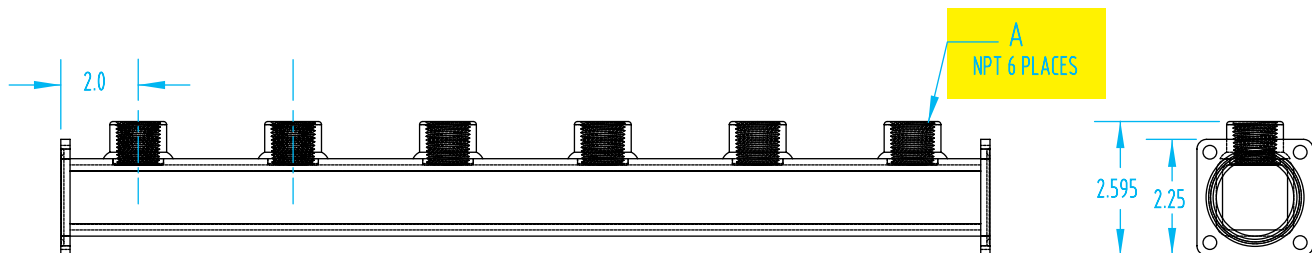
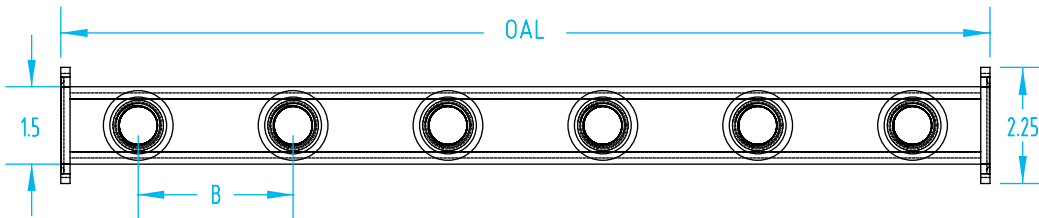
Quick#	Part#	Steel Type	A (Outlet Dim.)	B	OAL	Price
W834	SOS25X6R	Red	¼"	2"	16"	\$56
W417	SOS25X6B	Blue				\$56
W835	SOS25X6CR	Stainless				\$85
W850	SOS38X6R	Red	⅜"	2"	16"	\$57
W425	SOS38X6B	Blue				\$57
W851	SOS38X6CR	Stainless				\$87
W866	SOS50X6R	Red	½"	2.75"	17.75"	\$114
W433	SOS50X6B	Blue				\$59
W867	SOS50X6CR	Stainless				\$96
W882	SOS75X6R	Red	¾"	2.75"	17.75"	\$61
W441	SOS75X6B	Blue				\$61
W883	SOS75X6CR	Stainless				\$109
W898	SOS1X6R	Red	1"	2.75"	17.75"	\$65
W449	SOS1X6B	Blue				\$65
W899	SOS1X6CR	Stainless				\$125



After choosing the correct size manifold, refer to pages 114–115 for end ports, blank end plates, or middle divider plates to complete your manifold. Brackets are also available.

Hardware/O-ring included with end ports or divider plates, but must be ordered separately if joining 2 segments together.

When ordering, use Quick#s to ensure order accuracy.



Configurable Manifold Series

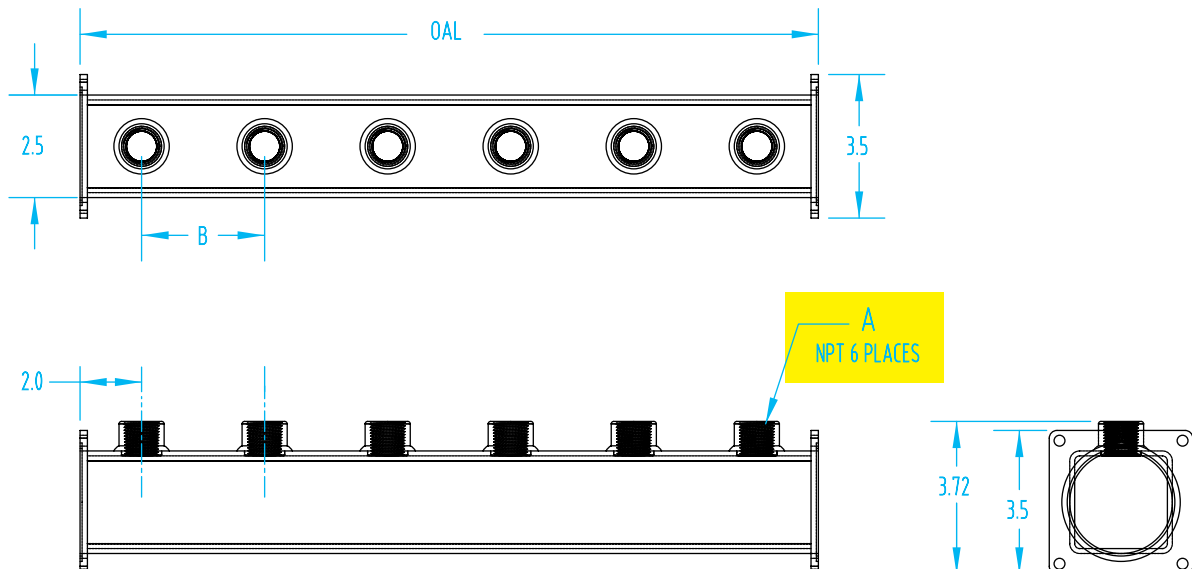
2½" Manifold Available in Powder Coated or Stainless Steel
6-Port Segment



Quick#	Part#	Steel Type	A (Outlet Dim.)	B	OAL	Price
W836	LOS25X6R	Red	¼"	2"	14"	\$62
W418	LOS25X6B	Blue				\$62
W837	LOS25X6CR	Stainless				\$114
W852	LOS38X6R	Red	⅜"	2"	16"	\$119
W426	LOS38X6B	Blue				\$119
W853	LOS38X6CR	Stainless				\$116
W868	LOS50X6R	Red	½"	2.75"	17.75"	\$65
W434	LOS50X6B	Blue				\$65
W869	LOS50X6CR	Stainless				\$125
W884	LOS75X6R	Red	¾"	2.75"	17.75"	\$68
W442	LOS75X6B	Blue				\$68
W885	LOS75X6CR	Stainless				\$138
W900	LOS1X6R	Red	1"	2.75"	17.75"	\$70
W450	LOS1X6B	Blue				\$70
W901	LOS1X6CR	Stainless				\$155
W910	LOS125X6R	Red	1¼"	3.5"	21.5"	\$77
W455	LOS125X6B	Blue				\$77
W911	LOS125X6CR	Stainless				\$183
W918	LOS150X6R	Red	1½"	3.5"	21.5"	\$91
W459	LOS150X6B	Blue				\$91
W919	LOS150X6CR	Stainless				\$254

After choosing the correct size manifold, refer to pages 114–115 for end ports, blank end plates, or middle divider plates to complete your manifold. Brackets are also available.

Hardware/O-ring included with end ports or divider plates, but must be ordered separately if joining 2 segments together.



Configurable Manifold Series

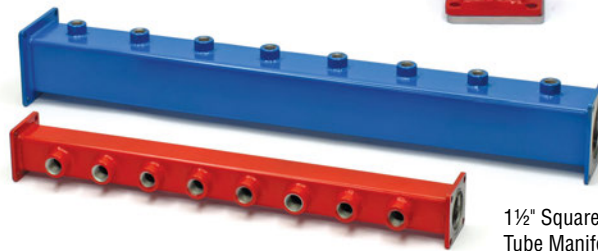
1½" Manifold Available in Powder Coated or Stainless Steel

8-Port Segment

Quick#	Part#	Steel Type	A (Outlet Dim.)	B	OAL	Price
W838	SOS25X8R	Red	¼"	2"	18"	\$65
W419	SOS25X8B	Blue				\$65
W839	SOS25X8CR	Stainless				\$103
W854	SOS38X8R	Red	⅜"	2"	18"	\$66
W427	SOS38X8B	Blue				\$66
W855	SOS38X8CR	Stainless				\$105
W870	SOS50X8R	Red	½"	2.75"	23.25"	\$69
W435	SOS50X8B	Blue				\$69
W871	SOS50X8CR	Stainless				\$118
W886	SOS75X8R	Red	¾"	2.75"	23.25"	\$72
W443	SOS75X8B	Blue				\$72
W887	SOS75X8CR	Stainless				\$135
W902	SOS1X8R	Red	1"	2.75"	23.25"	\$77
W451	SOS1X8B	Blue				\$77
W903	SOS1X8CR	Stainless				\$157

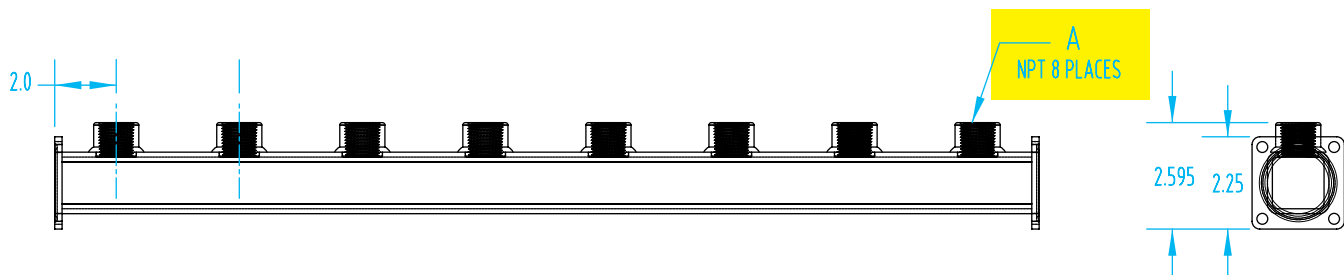
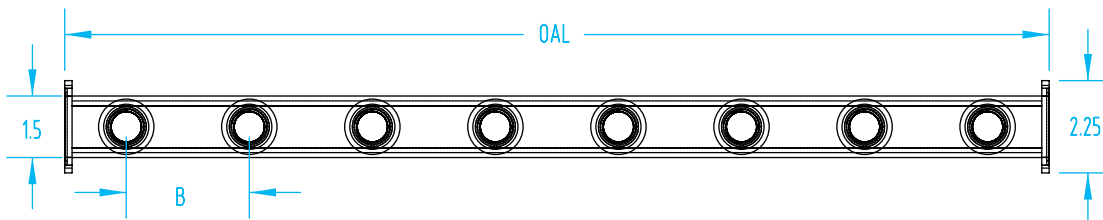
After choosing the correct size manifold, refer to pages 114–115 for end ports, blank end plates, or middle divider plates to complete your manifold. Brackets are also available.

Hardware/O-ring included with end ports or divider plates, but must be ordered separately if joining 2 segments together.



2½" Square Tube Manifold

1½" Square Tube Manifold



Configurable Manifold Series

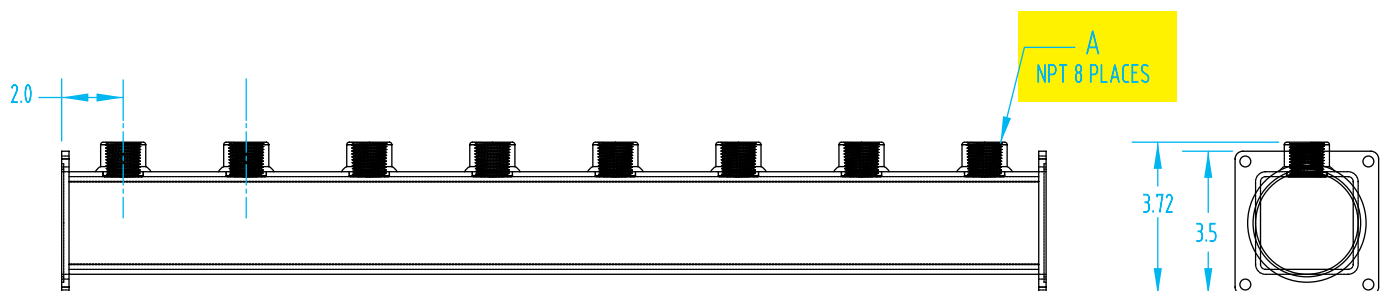
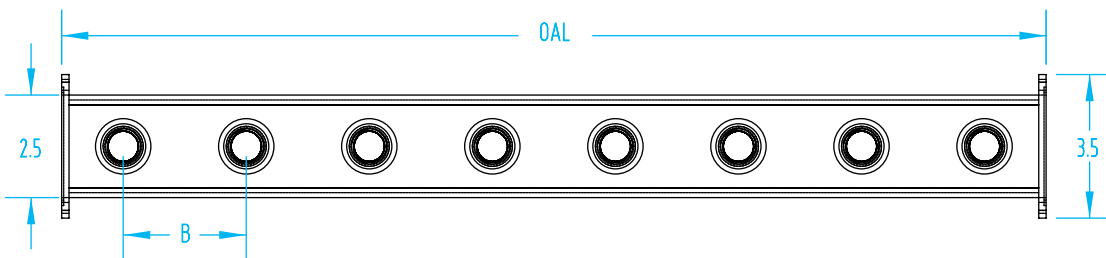
2½" Manifold Available in Powder Coated or Stainless Steel
8-Port Segment



Quick#	Part#	Steel Type	A (Outlet Dim.)	B	OAL	Price
W840	LOS25X8R	Red	¼"	2"	18"	\$73
W420	LOS25X8B	Blue				\$73
W841	LOS25X8CR	Stainless				\$140
W856	LOS38X8R	Red	⅜"	2"	18"	\$74
W428	LOS38X8B	Blue				\$74
W857	LOS38X8CR	Stainless				\$142
W872	LOS50X8R	Red	½"	2.75"	23.25"	\$77
W436	LOS50X8B	Blue				\$77
W873	LOS50X8CR	Stainless				\$155
W888	LOS75X8R	Red	¾"	2.75"	23.25"	\$79
W444	LOS75X8B	Blue				\$79
W889	LOS75X8CR	Stainless				\$172
W904	LOS1X8R	Red	1"	2.75"	23.25"	\$85
W452	LOS1X8B	Blue				\$85
W905	LOS1X8CR	Stainless				\$194
W912	LOS125X8R	Red	1¼"	3.5"	28.5"	\$92
W456	LOS125X8B	Blue				\$92
W913	LOS125X8CR	Stainless				\$233
W920	LOS150X8R	Red	1½"	3.5"	28.5"	\$112
W460	LOS150X8B	Blue				\$112
W921	LOS150X8CR	Stainless				\$326

After choosing the correct size manifold, refer to pages 114–115 for end ports, blank end plates, or middle divider plates to complete your manifold. Brackets are also available.

Hardware/O-ring included with end ports or divider plates, but must be ordered separately if joining 2 segments together.



Configurable Manifold Series

Stainless Steel Manifold End ports

2½" Stainless Steel End Ports



1½" Stainless Steel End Ports



2½" Stainless Steel 90° End Ports

1½" Stainless Steel 90° End Ports

Stainless Steel End Ports for 1½" Manifolds

Quick#	Part#	A (Outlet Dim.)	Price
W801	SES25CR	¼"	\$14
W805	SES38CR	⅜"	\$16
W809	SES50CR	½"	\$17
W813	SES75CR	¾"	\$18
W817	SES1CR	1"	\$21

Stainless Steel 90° End Ports for 1½" Manifolds

Quick#	Part#	A (Outlet Dim.)	Price
W788	S90S25CR	¼"	\$51
W789	S90S38CR	⅜"	\$51
W790	S90S50CR	½"	\$53
W791	S90S75CR	¾"	\$57
W792	S90S1CR	1"	\$64

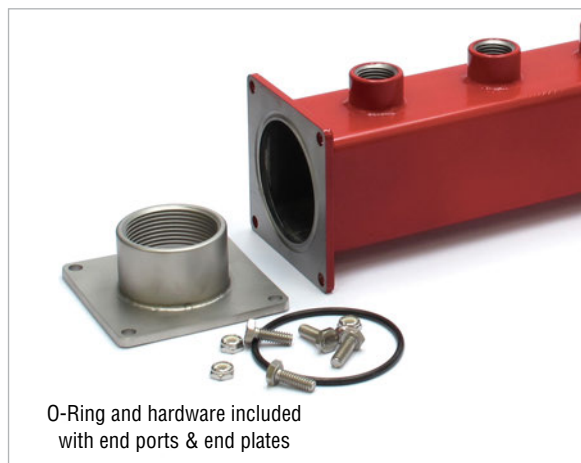
Stainless Steel End Ports for 2½" Manifolds

Quick#	Part#	A (Outlet Dim.)	Price
W803	LES25CR	¼"	\$17
W807	LES38CR	⅜"	\$31
W811	LES50CR	½"	\$20
W815	LES75CR	¾"	\$21
W819	LES1CR	1"	\$23
W821	LES125CR	1¼"	\$29
W823	LES150CR	1½"	\$39
W825	LES2CR	2"	\$51

Stainless Steel 90° End Ports for 2½" Manifolds

Quick#	Part#	A (Outlet Dim.)	Price
W793	L90S25CR	¼"	\$62
W794	L90S38CR	⅜"	\$64
W795	L90S50CR	½"	\$66
W796	L90S75CR	¾"	\$70
W797	L90S1CR	1"	\$75
W798	L90S125CR	1¼"	\$86
W799	L90S150CR	1½"	\$108

Hardware/O-ring included with end ports or divider plates, but must be ordered separately if joining 2 segments together.



Configurable Manifold Series

Stainless Steel End plates, Middle divider plates, and Mounting brackets

Hardware/O-ring included with end ports or divider plates, but must be ordered separately if joining 2 segments together.

For 1½" Square Tube Manifolds:

Stainless Steel Blank End Plate for 1½" Manifolds

Quick#	Part#	Description	Price
W923	SBEPCR	Stainless Steel	\$8.42

Stainless Steel Middle Divider Plate for 1½" Manifolds

Quick#	Part#	Description	Price
W927	SMDPCR	Stainless Steel	\$13.47

Stainless Steel Brackets for 1½" Manifolds

Quick#	Part#	Description	Price
W930	SBBRK	for Body Mounting	\$8.74
W931	SEBRK	for End Mounting	\$2.81

Note: W930 has ⅜" diameter holes on 2½" centers.

Note: W931 has ⅜" diameter holes on 1¾" centers.

Replacement O-Ring for 1½" Manifolds

Quick#	Part#	Description	Price
W926	CP-4317	Silicone, 1/8"x1-7/8"	\$1.76

For 2½" Square Tube Manifolds:

Stainless Steel Blank End Plate for 2½" Manifolds

Quick#	Part#	Description	Price
W925	LBEPCR	Stainless Steel	\$9.82

Stainless Steel Middle Divider Plate for 2½" Manifolds

Quick#	Part#	Description	Price
W929	LMDPCR	Stainless Steel	\$14.60

Stainless Steel Brackets for 2½" Manifolds

Quick#	Part#	Description	Price
W932	LBBRK	for Body Mounting	\$11.44
W933	LEBRK	for End Mounting	\$2.81

Note: W932 has ⅜" diameter holes on 3¾" centers.

Note: W933 has ⅜" diameter holes on 2¾" centers.

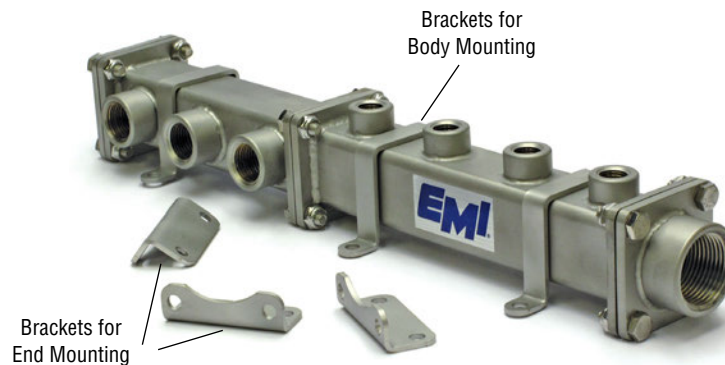
Replacement O-Ring for 2½" Manifolds

Quick#	Part#	Description	Price
W924	CP-4314	Silicone, 2-7/8"x2-5/8"	\$2.09

Replacement Hardware for both 1½" & 2½" Manifolds

Quick#	Part#	Description	Price
W928	CP-4382	¼"-20 x ¾" SST SHCS	\$0.49
-	CP-4347	¼"-20 SST Lock Nut	\$0.22

When ordering, use Quick#s to ensure order accuracy.



Anodized Aluminum Manifolds

These manifolds can't rust, they resist corrosion and cost less!

Made from heavy-wall aluminum extrusions, tested to 120 psi. Standard manifolds have 1" or 1½" process water ports and ¾" or ½" outlets and are ready for immediate shipment. Each manifold is shipped with two complete stick-on option sheets (one red and one blue) with water direction labels. EMI divided aluminum manifolds are available in 'AL' sized extrusion and in OAL up to 16". Standard hole spacing is maintained to permit use of ball valves. By incorporating the center factory installed divider, supply and return can be achieved in one compact unit, eliminating the end plug. Choose from top surface ports or ports on the 45° surfaces, and outlet sizes up to ¾".

Reduce mold setup time!

Mount these manifolds on your molds and pre-plumb water outlets directly to the molds. Use fewer fittings and connections and maximize cooling water flow. The next time you run, just hook up the process hoses and you're ready to go! And, because they're aluminum, these EMI manifolds can't rust in storage.

We'll customize to fit your special needs

Standard, stocked manifolds have ¾" or ½" outlets on the top or angled sides and are ready for immediate shipment. Want outlets somewhere else, or a different number or variety of outlet sizes in the standard or divided manifolds? No problem.

We'll customize your manifolds. [Click here to download our Order Form.](#)



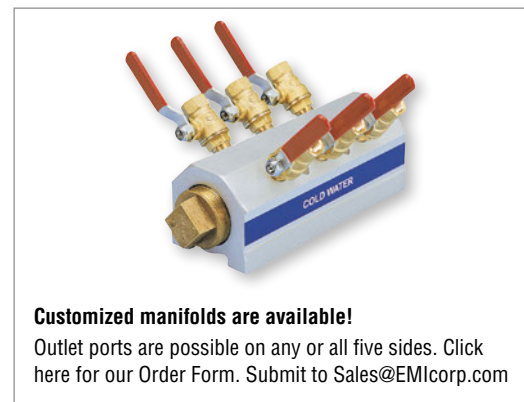
Anodized Aluminum Manifolds are available with a middle divider. The divider is stainless steel, with a silicone ring that prevents leakage. This is factory installed and field serviceable.

Manifold Quantity Discounts

1-24	Net
25 +	Less 5%
Mix or Match for Discount	



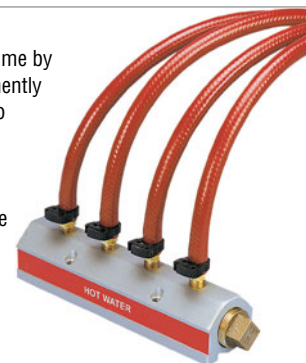
Note: Strong, rust-free, corrosion-resistant, aluminum water manifolds are available with 1" or 1½" process water ports. Standard units have outlets on top or the angled sides.



Customized manifolds are available!

Outlet ports are possible on any or all five sides. Click here for our Order Form. Submit to Sales@EMICorp.com

Reduce mold set-up time by mounting and permanently plumbing manifolds to molds. Just connect primary supply lines instead of individual circuit lines and you've reduced mold set-up time, and cut possibilities of connection leaks.



Anodized Aluminum Manifolds



4 Outlet Aluminum Manifolds with 1" and 1½" NPT,
also available with middle divider.

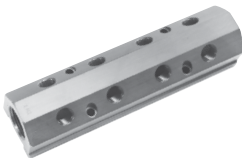
Pages 118–119



6 Outlet Aluminum Manifolds with
1" and 1½" NPT.

Pages 120–121

Aluminum Manifolds with Divider
not available in this size.



8 Outlet Aluminum Manifolds with 1" and 1½" NPT,
also available with middle divider.

Pages 122–123



4 Outlet Aluminum Manifolds with 1" and 1½" NPT,
also available with middle divider.

Pages 124–125



6 Outlet Aluminum Manifolds with 1" and 1½" NPT,
also available with middle divider.

Pages 126–127



8 Outlet Aluminum Manifolds with
1" and 1½" NPT.

Pages 128–129

Aluminum Manifolds with Divider
not available in this size.

Anodized Aluminum Water Manifolds

4 Outlet Aluminum Manifold with 1" NPT End Ports

Features:

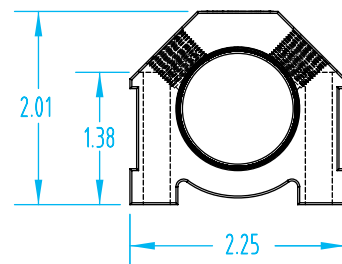
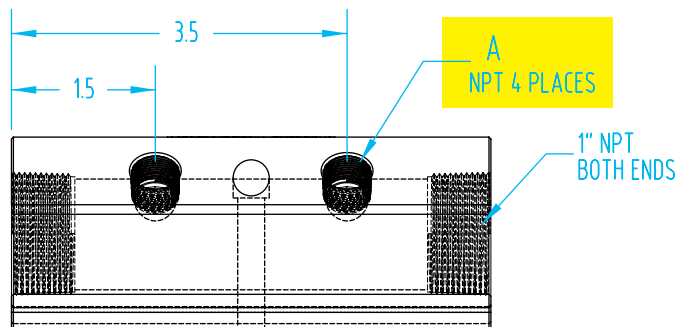
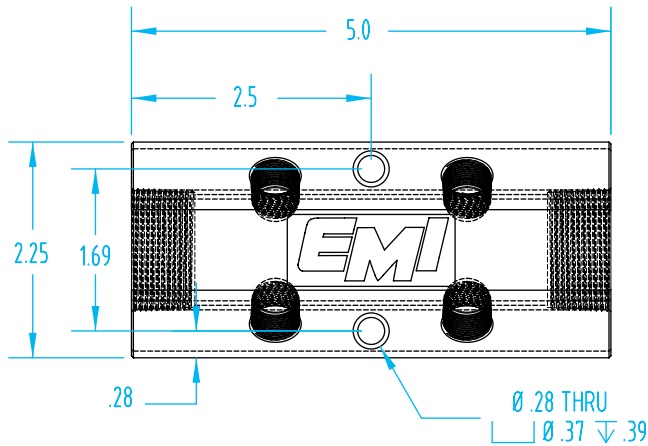
- Constructed from heavy-wall aluminum extrusions.
- Standard manifolds have 1" or 1½" process water ports and ¼", ⅜", ½", or ¾" outlets.
- Pressure rated to 120 psi.
- Temperature rated to 300°F.
- Shipped with two complete stick-on option sheets (one red and one blue) with water direction labels.



Quick#	Part#	A (Outlet Dim.)	Price
W011	A-2A2	⅜"	\$61
W012	A-2A2-25	¼"	\$61

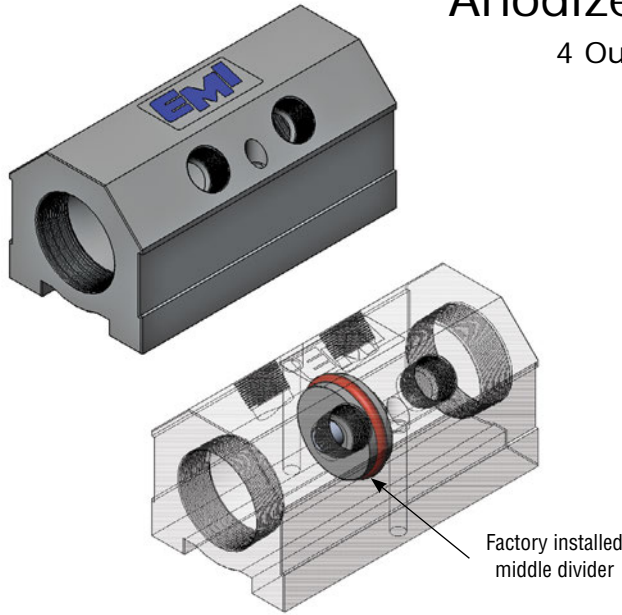
Need something custom? Download Order Form here.

When ordering, use Quick#s to ensure order accuracy.



Anodized Aluminum Water Manifolds

4 Outlet Aluminum Manifold with 1 1/2" NPT End Ports
Available with Middle Divider



Quick#	Part#	A (Outlet Dim.)	Price
W013	AL-2A2	1/2"	\$92
W014	AL-2A2-38	3/8"	\$92
W015	AL-2A2-75	3/4"	\$92

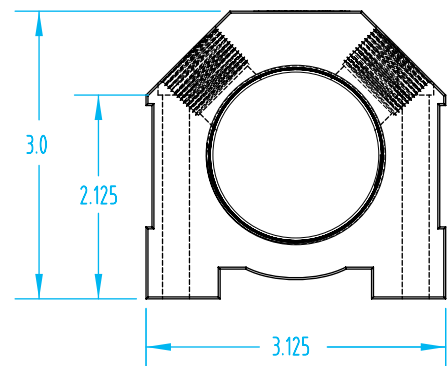
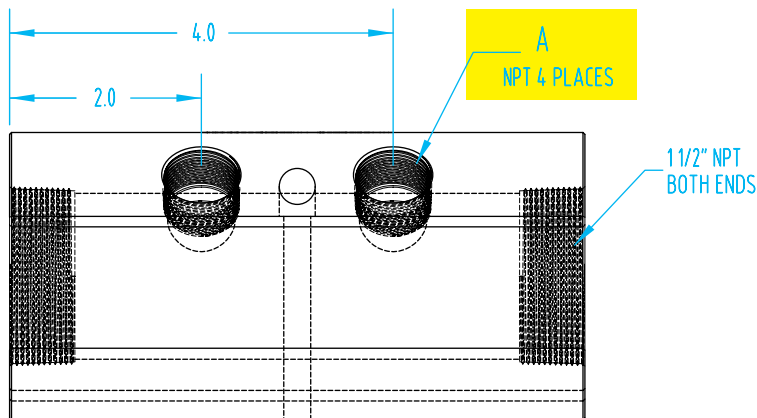
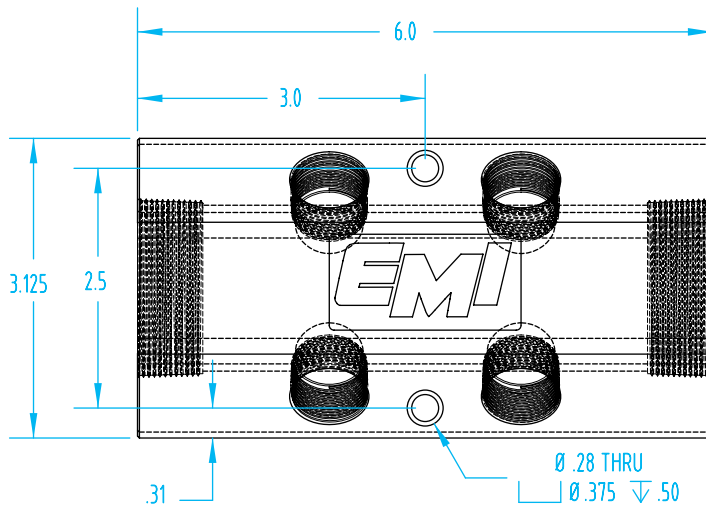
Manifolds with Divider

W934	AL-2A2D	1/2"	\$153
W935	AL-2A2-38D	3/8"	\$153
W936	AL-2A2-75D	3/4"	\$153

Divider Replacement Parts

W937	5X-212-1	Divider Assembly	\$61
W938	CP-3743	O-Ring	\$7

Need something custom? Download Order Form here.



Anodized Aluminum Water Manifolds

6 Outlet Aluminum Manifold with 1" NPT End Ports

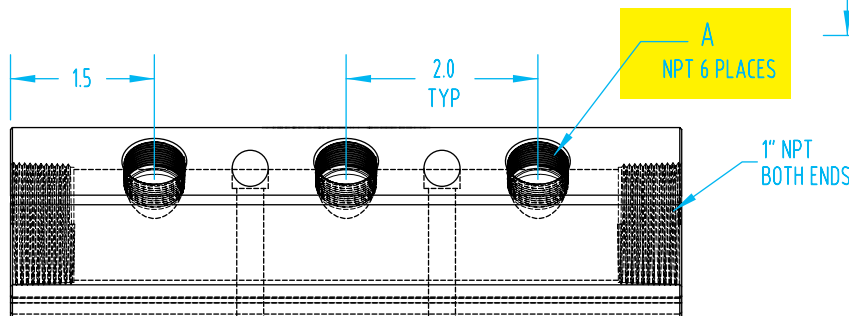
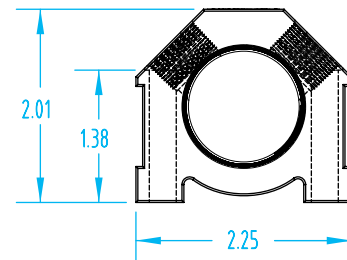
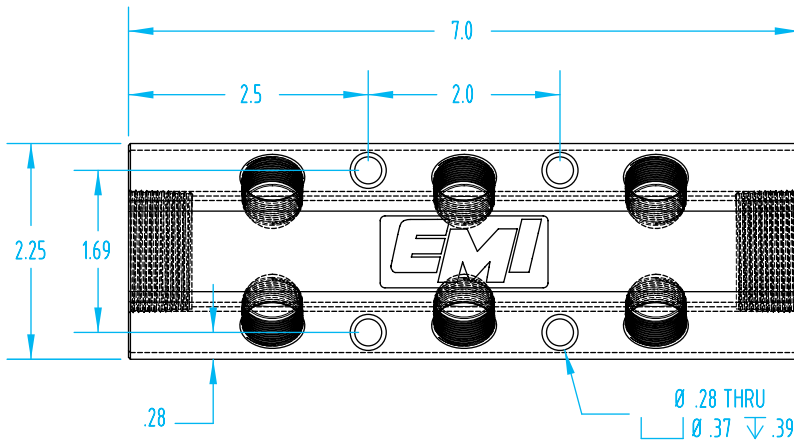
Features:

- Constructed from heavy-wall aluminum extrusions.
- Standard manifolds have 1" or 1½" process water ports and ¼", ⅜", ½", or ¾" outlets.
- Pressure rated to 120 psi.
- Temperature rated to 300°F.
- Shipped with two complete stick-on option sheets (one red and one blue) with water direction labels.



Quick#	Part#	A (Outlet Dim.)	Price
W016	A-3A3	⅜"	\$77
W017	A-3A3-25	¼"	\$77

Need something custom? Download Order Form here.



Anodized Aluminum Water Manifolds

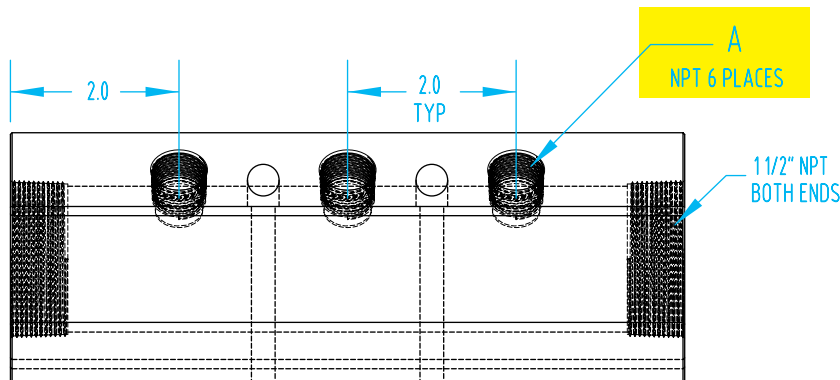
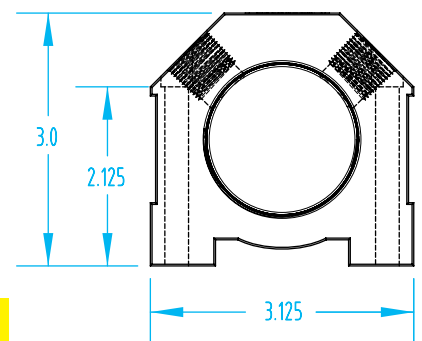
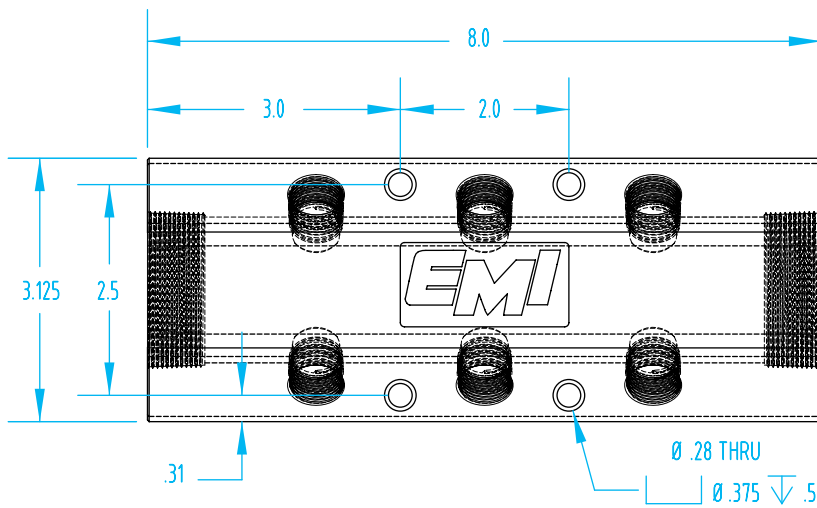
6 Outlet Aluminum Manifold with 1 1/2" NPT End Ports



Anodized Aluminum Manifolds with middle divider not available in this size.

Quick#	Part#	A (Outlet Dim.)	Price
W018	AL-3A3	1/2"	\$118
W019	AL-3A3-38	3/8"	\$118
W020	AL-3A3-75	3/4"	\$118

Need something custom? Download Order Form here.



Anodized Aluminum Water Manifolds

8 Outlet Aluminum Manifold with 1" NPT End Ports

Features:

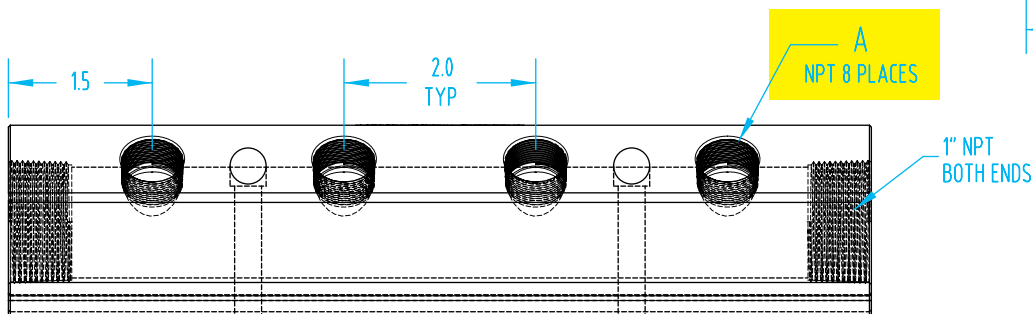
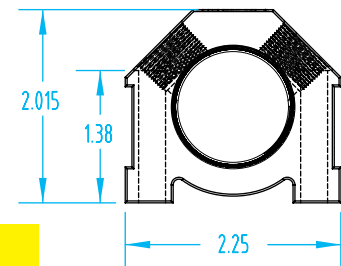
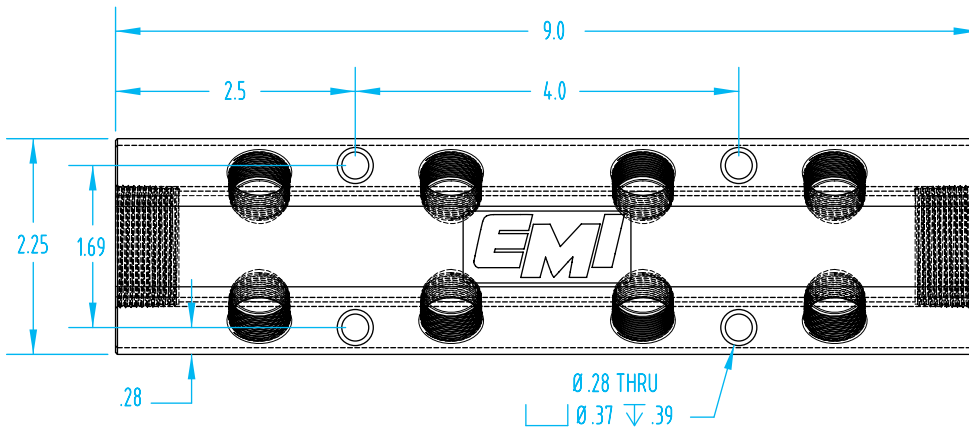
- Constructed from heavy-wall aluminum extrusions.
- Standard manifolds have 1" or 1½" process water ports and ¼", ⅜", ½", or ¾" outlets.
- Pressure rated to 120 psi.
- Temperature rated to 300°F.
- Shipped with two complete stick-on option sheets (one red and one blue) with water direction labels.



Quick#	Part#	A (Outlet Dim.)	Price
W021	A-4A4	⅜"	\$98
W022	A-4A4-25	¼"	\$98

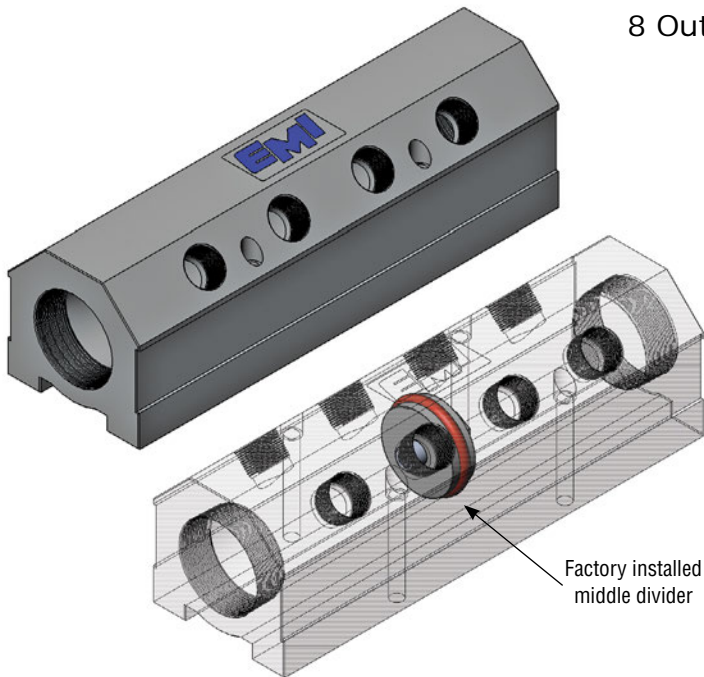
Need something custom? Download Order Form here.

When ordering, use Quick#s to ensure order accuracy.



Anodized Aluminum Water Manifolds

8 Outlet Aluminum Manifold with 1 1/2" NPT End Ports
Available with Middle Divider



Quick#	Part#	A (Outlet Dim.)	Price
W023	AL-4A4	1/2"	\$144
W024	AL-4A4-38	3/8"	\$144
W025	AL-4A4-75	3/4"	\$144

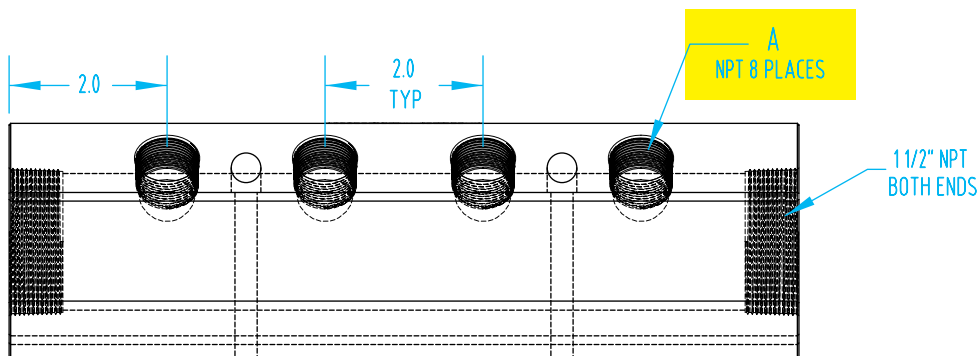
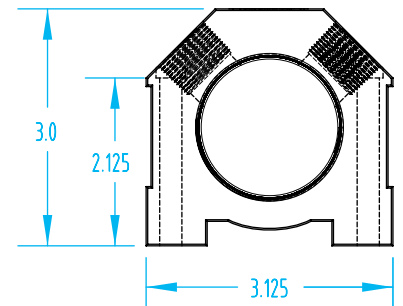
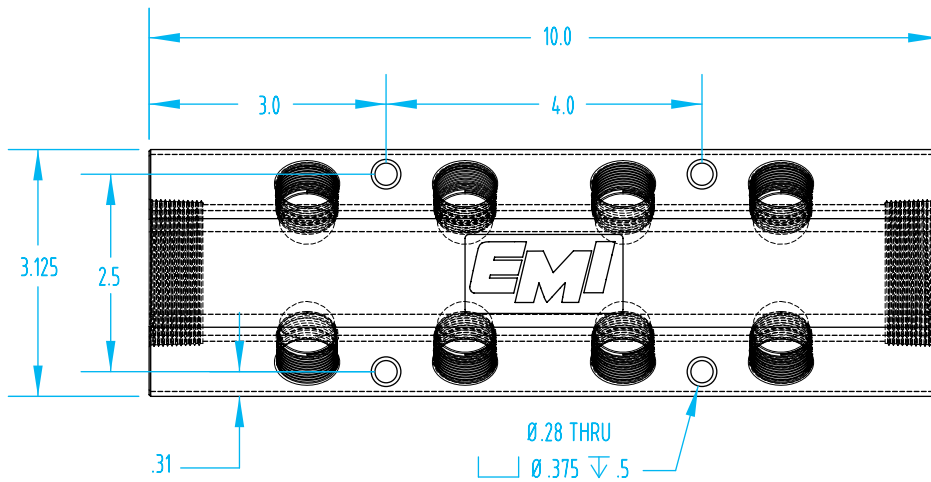
Manifolds with Divider

W940	AL-4A4D	1/2"	\$204
W941	AL-4A4-38D	3/8"	\$204
W942	AL-4A4-75D	3/4"	\$204

Divider Replacement Parts

W937	5X-212-1	Divider Assembly	\$61
W938	CP-3743	O-Ring	\$7

Need something custom? Download Order Form here.



Anodized Aluminum Water Manifolds

4 Outlet Aluminum Manifold with 1" NPT End Ports

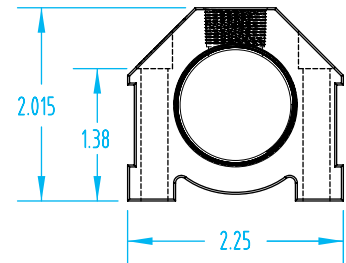
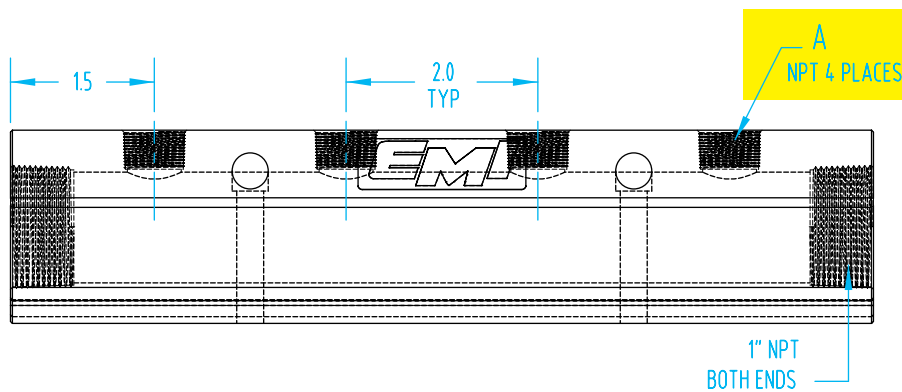
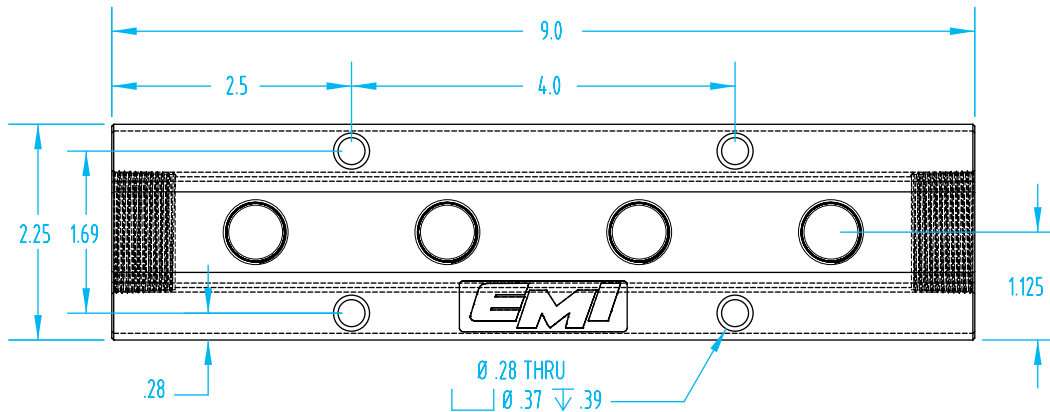
Features:

- Constructed from heavy-wall aluminum extrusions.
- Standard manifolds have 1" or 1½" process water ports and ¼", ⅜", ½", or ¾" outlets.
- Pressure rated to 120 psi.
- Temperature rated to 300°F.
- Shipped with two complete stick-on option sheets (one red and one blue) with water direction labels.



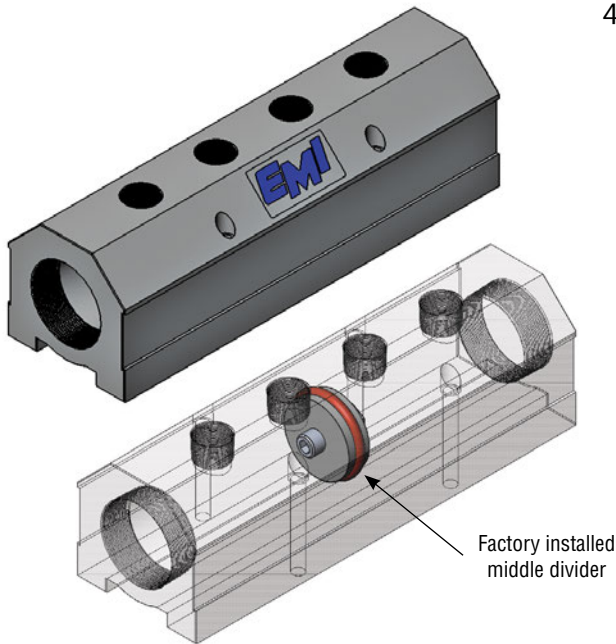
Quick#	Part#	A (Outlet Dim.)	Price
W026	A-4	⅜"	\$68
W027	A-4-25	¼"	\$68

Need something custom? Download Order Form here.



Anodized Aluminum Water Manifolds

4 Outlet Aluminum Manifold with 1 1/2" NPT End Ports
Available with Middle Divider



Quick#	Part#	A (Outlet Dim.)	Price
W028	AL-4	1/2"	\$111
W029	AL-4-38	3/8"	\$111
W030	AL-4-75	3/4"	\$111

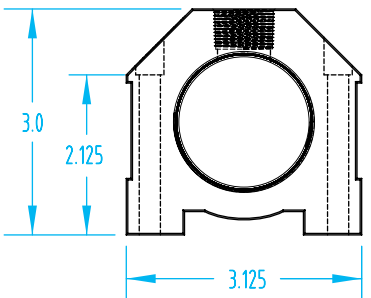
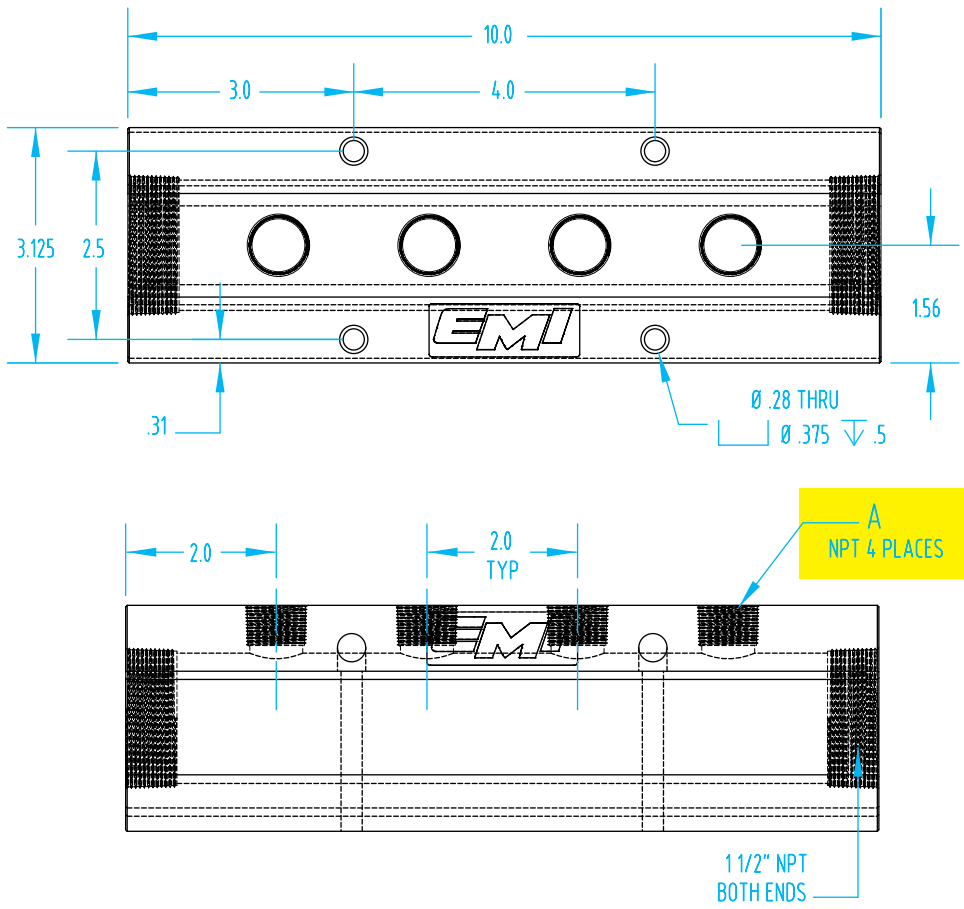
Manifolds with Divider

W943	AL-4D	1/2"	\$170
W944	AL-4-38D	3/8"	\$170
W945	AL-4-75D	3/4"	\$170

Divider Replacement Parts

W937	5X-212-1	Divider Assembly	\$61
W938	CP-3743	O-Ring	\$7

Need something custom? Download Order Form here.



Anodized Aluminum Water Manifolds

6 Outlet Aluminum Manifold with 1" NPT End Ports

Features:

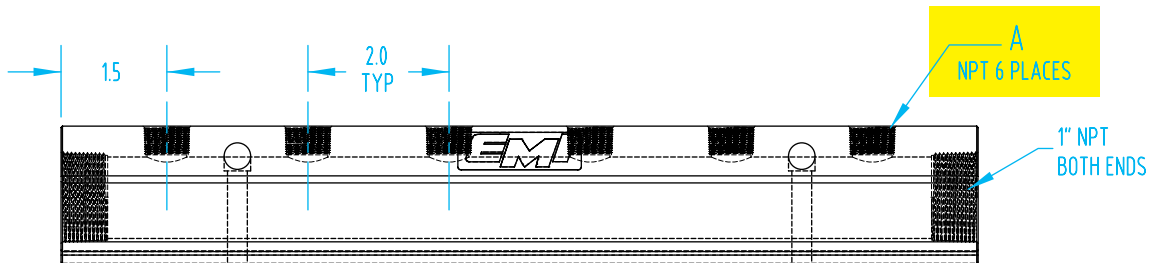
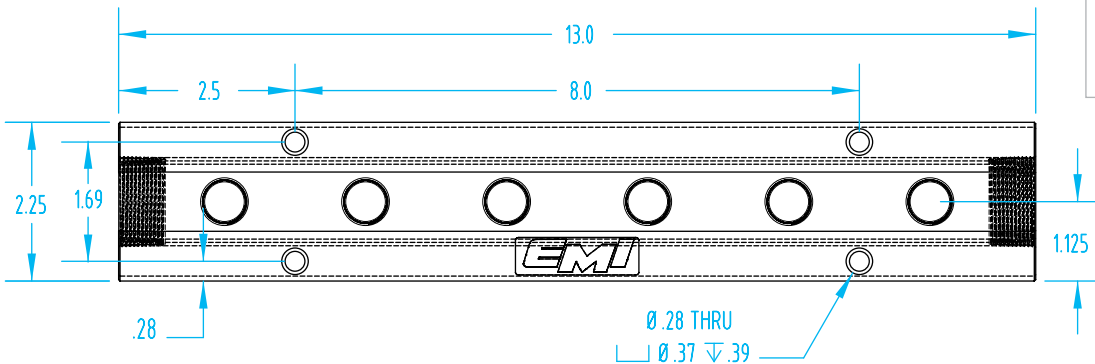
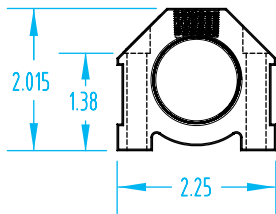
- Constructed from heavy-wall aluminum extrusions.
- Standard manifolds have 1" or 1½" process water ports and ¼", ⅜", ½", or ¾" outlets.
- Pressure rated to 120 psi.
- Temperature rated to 300°F.
- Shipped with two complete stick-on option sheets (one red and one blue) with water direction labels.



Quick#	Part#	A (Outlet Dim.)	Price
W031	A-6	⅜"	\$85
W032	A-6-25	¼"	\$85

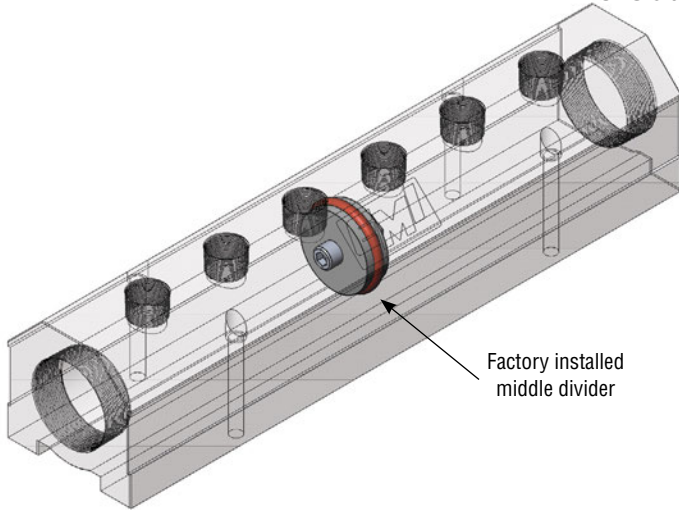
Need something custom? Download Order Form here.

When ordering, use Quick#s to ensure order accuracy.



Anodized Aluminum Water Manifolds

6 Outlet Aluminum Manifold with 1 1/2" NPT End Ports
Available with Middle Divider



Factory installed middle divider

Quick#	Part#	A (Outlet Dim.)	Price
W033	AL-6	1/2"	\$142
W034	AL-6-38	3/8"	\$142
W035	AL-6-75	3/4"	\$142

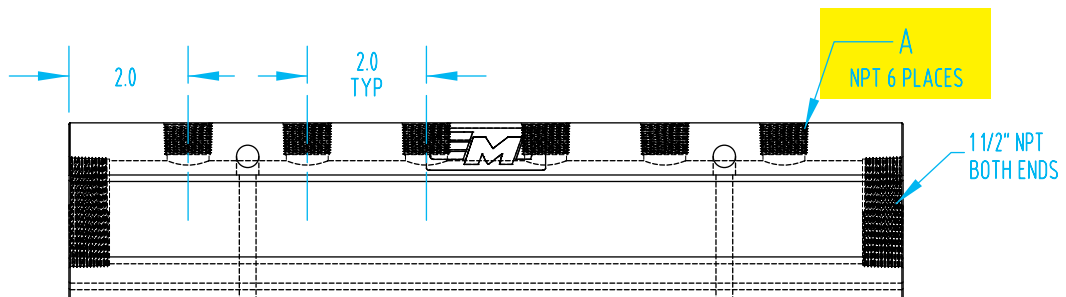
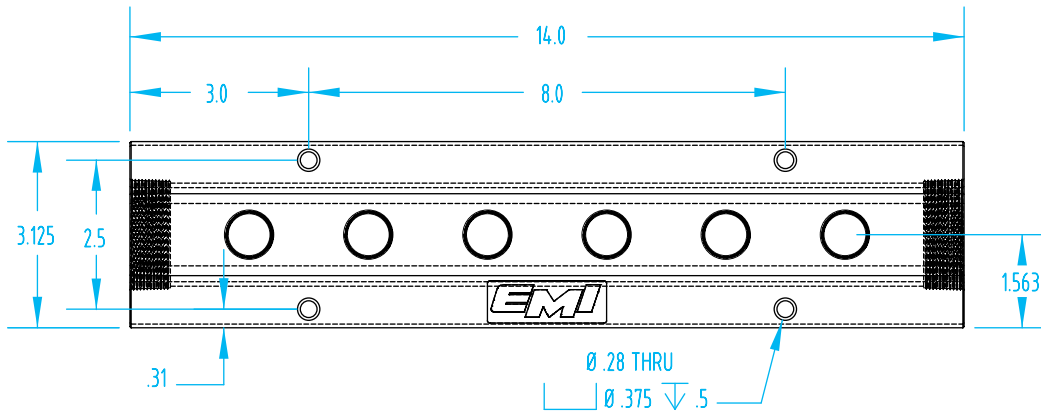
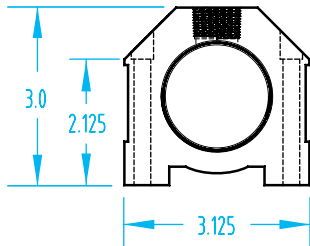
Manifolds with Divider

W946	AL-6D	1/2"	\$202
W947	AL-6-38D	3/8"	\$202
W948	AL-6-75D	3/4"	\$202

Divider Replacement Parts

W937	5X-212-1	Divider Assembly	\$61
W938	CP-3743	O-Ring	\$7

Need something custom? [Download Order Form here.](#)

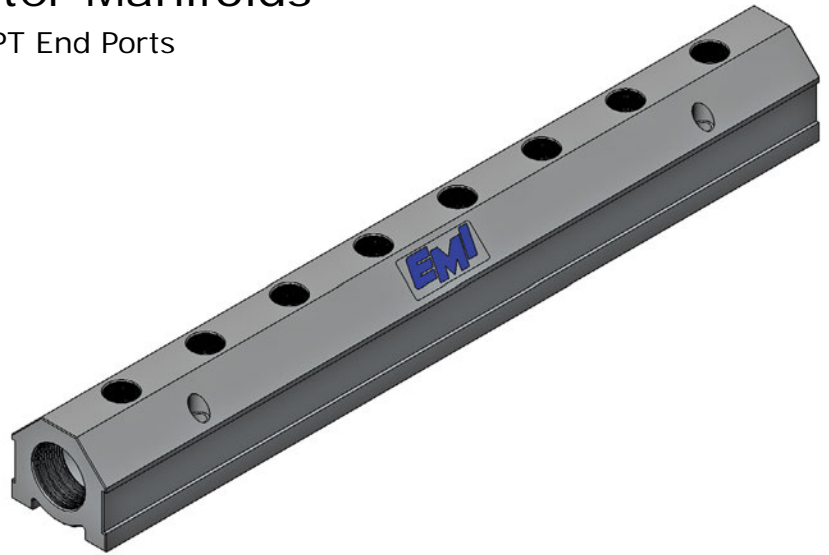


Anodized Aluminum Water Manifolds

8 Outlet Aluminum Manifold with 1" NPT End Ports

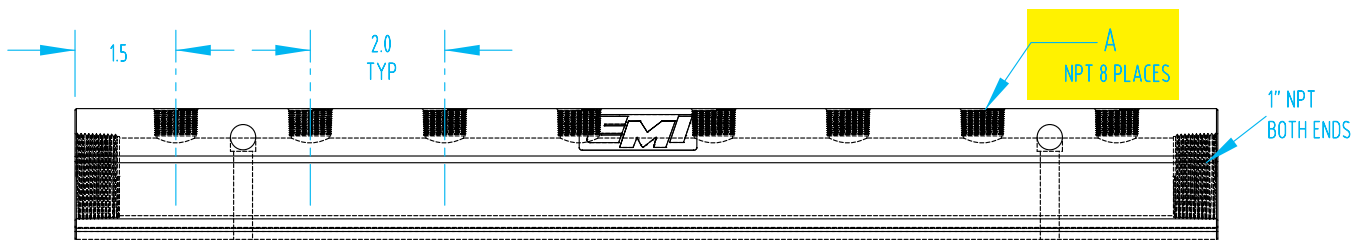
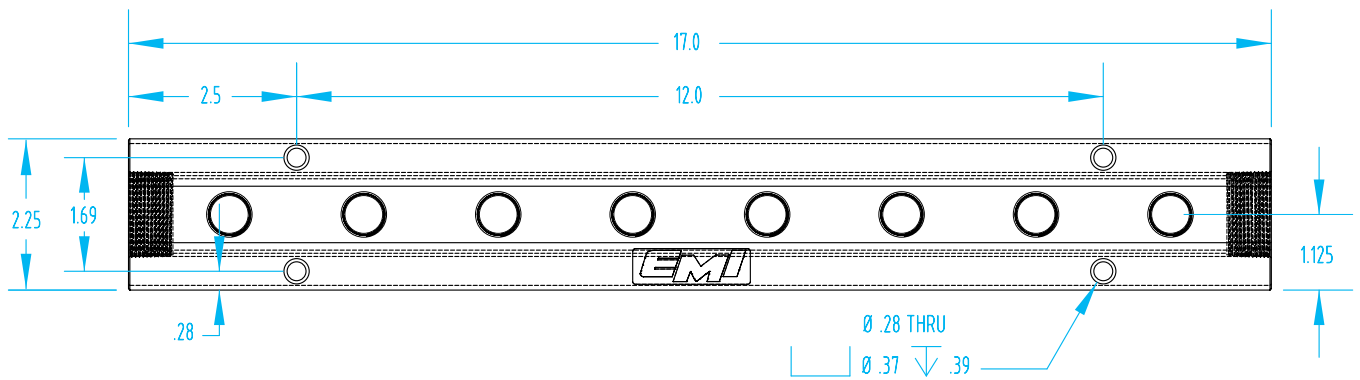
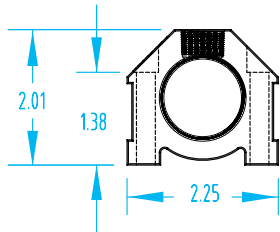
Features:

- Constructed from heavy-wall aluminum extrusions.
- Standard manifolds have 1" or 1½" process water ports and ¼", ⅜", ½", or ¾" outlets.
- Pressure rated to 120 psi.
- Temperature rated to 300°F.
- Shipped with two complete stick-on option sheets (one red and one blue) with water direction labels.



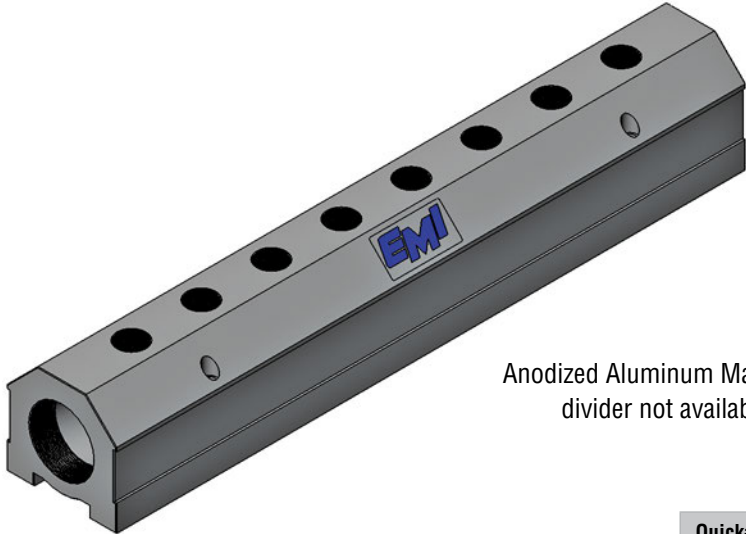
Quick#	Part#	A (Outlet Dim.)	Price
W036	A-8	⅜"	\$109
W037	A-8-25	¼"	\$109

Need something custom? Download Order Form here.



Anodized Aluminum Water Manifolds

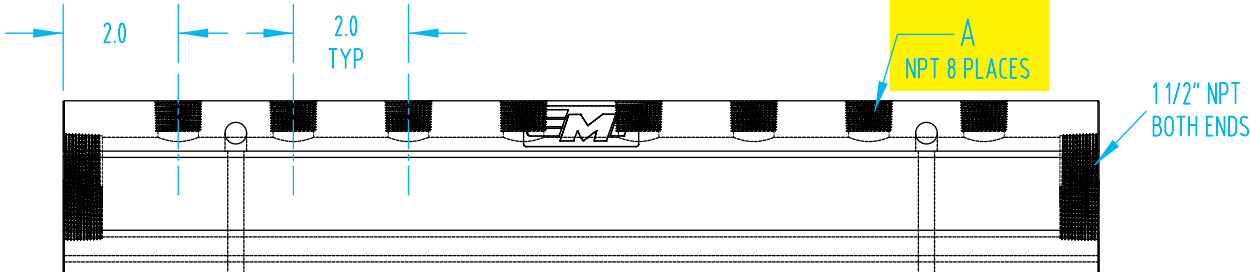
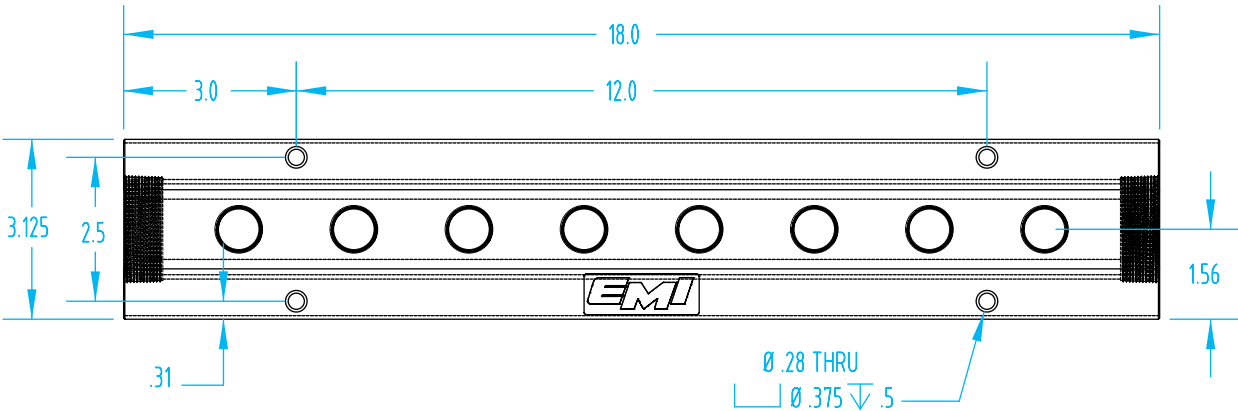
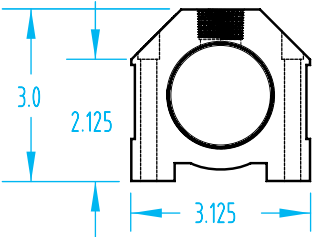
8 Outlet Aluminum Manifold with 1 1/2" NPT End Ports



Anodized Aluminum Manifolds with middle divider not available in this size.

Quick#	Part#	A (Outlet Dim.)	Price
W038	AL-8	1/2"	\$173
W039	AL-8-38	3/8"	\$173
W040	AL-8-75	3/4"	\$173

Need something custom? [Download Order Form here.](#)



Kool Flow Water Manifolds

Are you looking for a flexible water manifold system?

The FB Series water manifold is exactly what you expect from the industry's number one water manifold supplier. Designed with Kool Flow's exclusive **flex block technology** features, the FB Series delivers superior design and flexibility to meet the most demanding applications.

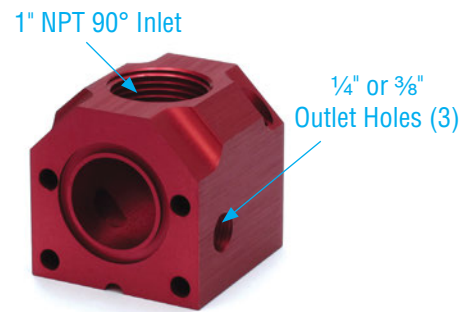
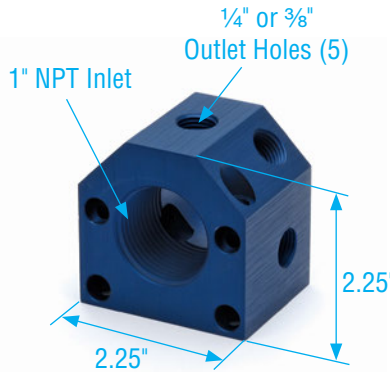
Flexible design: Four patented modular block assemblies can be used for multiple application needs. Flex design reduces assembly time and allows modifications for the ability to change on the fly. O-ring seals protect against leaks between block assemblies.

Features:

- Modular construction.
- Aluminum material; light weight & long-lasting.
- Anodized for corrosion protection.
- Various port size options for flexibility.
- Pre-drilled mounting holes.
- Viton® O-rings & tie rods included.
- Components are in stock and built to order by EMI.

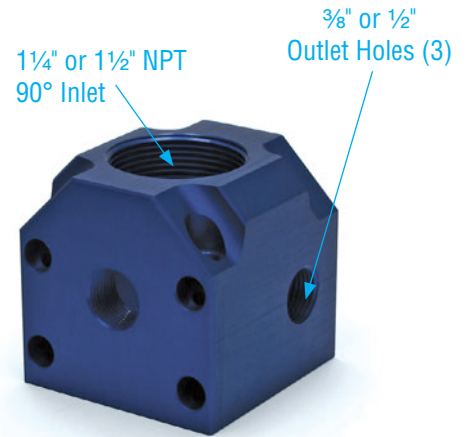
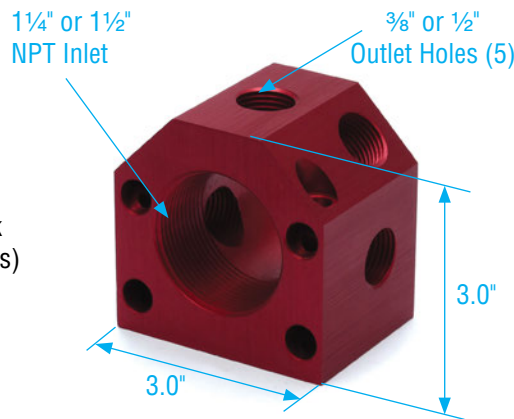
FB2 Specifications:

- Block size: 2.25" W x 2.25" H
- Material: 6061-T6, Anodized
- Mounting hole size: 1/4" SHCS
- Inlet hole: 1" NPT
- Outlet holes: 1/4" or 3/8"
- Five outlet holes standard per block (Three holes standard on 90° blocks)
- 400°F Temperature range



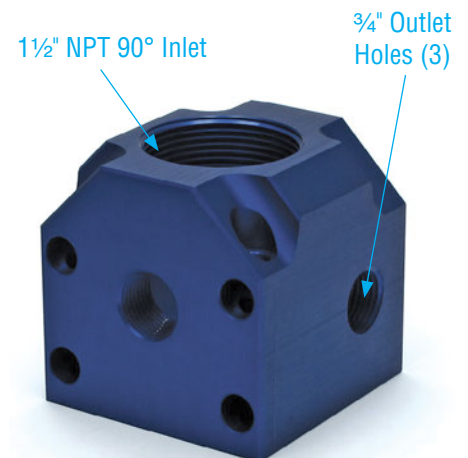
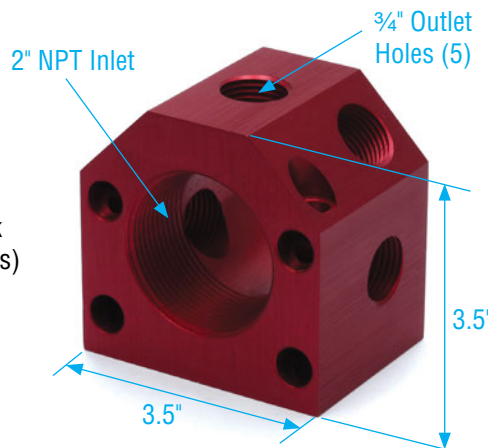
FB3 Specifications:

- Block size: 3.00" W x 3.00" H
- Material: 6061-T6, Anodized
- Mounting hole size: 3/8" SHCS
- Inlet hole: 1 1/4" and 1 1/2" NPT
- Outlet holes: 3/8" or 1/2"
- Five outlet holes standard per block (Three holes standard on 90° blocks)
- 400°F temperature range



FB4 Specifications:

- Block size: 3.50" W x 3.50" H
- Material: 6061-T6, Anodized
- Mounting hole size: 5/16" SHCS
- Inlet hole: 2" NPT
- Outlet holes: 3/4"
- Five outlet holes standard per block (Three holes standard on 90° blocks)
- 400°F temperature range



Kool Flow Water Manifolds



Each of the standard configurations below are available in the conventional style with inlet(s) located on the ends, or you can select the new 90° series for minimum space requirement and similar, straight-in hose connections.

Step 1:

- Choose the block size that best meets your requirements, FB2, FB3, FB4.

Step 2:

- Determine the style that best meets your requirements: Port to Divide, Port to Port, Port to Blank (explained below).

Step 3:

- Select original end located inlets or new 90° located inlets (shown below).

Step 4:

- Determine how many total outlets are required and select the manifold from the units on pages 148–155.

FB Series Manifold Configurations:

End Port-to-End Port

Straight-through design with inlets on both ends.



End Port-to-Blank

Single, end-located inlet with opposite end blank.



Divided End Port-to-End Port

Combines single end-located inlets with blank center block to create supply and return in one manifold.



90° Port-to-90° Port

Straight-through design with 90° inlets on both ends.



90° Port-to-Blank

Single, 90° located inlet with opposite end blank.



90° Port-to-Divide-to-90° Port

Combines 90° end located inlets with blank center block to create supply and return in one manifold.



- Limited for space, Port-to-Port configuration can separate hot & cold and mount in different locations.
- Available in red/clear and blue/clear.
- 1 Inlet at each end, 6 blocks maximum.

- With a Port-to-Blank configuration you can eliminate the end plug and still mount the hot & cold in different locations.
- Available in red/clear and blue/clear.
- 1 Inlet, 1 blank end, 7 blocks maximum.

- Combine your cooling needs into one manifold. Separate hot & cold with a mid-block and mount in one easy location.
- Available in red and blue with clear mid-block.
- 1 Inlet at each end with separation block, 11 blocks maximum.

Kool Flow Water Manifolds

FB2 Series, Individual Components

Specifications

- Block size: 2.25" W x 2.25" H
- Material: 6061-T6, Anodized (also available in Brass, contact us today!)
- Mounting hole size: 1/4" SHCS
- Inlet hole: 1" NPT
- Outlet holes: 1/4" or 3/8"
- Five outlet holes standard per block (Three outlet holes standard on 90° blocks)
- 400°F temperature range.



Individual components can be purchased to reconfigure existing manifolds, or if you wish to assemble your Kool Flow manifold at your facility.



Standard First Block (red / blue only)

Standard First Block (1" NPT bore)

Quick#	Part#	Inlet	Outlets (5)	Color	Price
W500	FB2-FB-1-4-R	1" NPT	1/4" NPT	Red	\$42.98
W501	FB2-FB-1-4-B	1" NPT	1/4" NPT	Blue	\$42.98
W502	FB2-FB-1-6-R	1" NPT	3/8" NPT	Red	\$42.98
W503	FB2-FB-1-6-B	1" NPT	3/8" NPT	Blue	\$42.98

First Blocks are used in the initial position of a manifold and have a threaded inlet, five outlets, two mounting holes and a groove for the o-ring. (90° First Block has only three outlets)



90° First Block (red / blue only)

90° First Block

Quick#	Part#	Inlet	Outlets (3)	Color	Price
W530	FB2-FB90-1-4-R	1" NPT	1/4" NPT	Red	\$53.78
W531	FB2-FB90-1-4-B	1" NPT	1/4" NPT	Blue	\$53.78
W532	FB2-FB90-1-6-R	1" NPT	3/8" NPT	Red	\$53.78
W533	FB2-FB90-1-6-B	1" NPT	3/8" NPT	Blue	\$53.78



Mod Block (red / blue only)

Mod Block

Quick#	Part#	Thru hole	Outlets (5)	Color	Price
W508	FB2-MOD-4-R	1" I.D.	1/4" NPT	Red	\$30.49
W509	FB2-MOD-4-B	1" I.D.	1/4" NPT	Blue	\$30.49
W510	FB2-MOD-6-R	1" I.D.	3/8" NPT	Red	\$30.49
W511	FB2-MOD-6-B	1" I.D.	3/8" NPT	Blue	\$30.49

Mod (Modular) Blocks are the 'everything in between' blocks. Use to create your manifold to your specifications. Features through bore, five outlets, and a groove for o-ring.



Standard Last Block (clear only)



90° Last Block (clear only)



End Block (clear only)



O-rings and hardware required for each block

Kool Flow Water Manifolds

FB2 Series, Individual Components

Standard Last Block (only used in Port-to-Port)

Quick#	Part#	Inlet	Outlets (5)	Color	Price
W516	FB2-LB-1-4-CL	1" NPT	1/4" NPT	Clear	\$36.75
W518	FB2-LB-1-6-CL	1" NPT	3/8" NPT	Clear	\$36.75

Last Blocks are used in the final position of a manifold and have a threaded inlet, five outlets, two mounting holes and a groove for the o-ring. (90° Last Block has only three outlets)

90° Last Block (only used in Port-to-Port)

Quick#	Part#	Inlet	Outlets (3)	Color	Price
W527	FB2-LB90-1-4-CL	1" NPT	1/4" NPT	Clear	\$54.52
W529	FB2-LB90-1-6-CL	1" NPT	3/8" NPT	Clear	\$54.52

When ordering, use Quick#s to ensure order accuracy.

End Block (only used in Port-to-Blank or Port-to-Divide)

Quick#	Part#	Description	Price
W526	FB2-EB-CL	End Block, Clear	\$30.30

End Blocks are used to create a blank at one end of a manifold or to create a center divider in a combined red / blue manifold. Features one mounting hole.

Hardware for FB2 Series

Quick#	Part#	Description	Price
W734	FB2-SHCS-1	10-32 x 1" SS SHCS (when using 3-6 blocks)	\$0.44
W735	FB2-SHCS-2	10-32 x 1 1/4" SS SHCS (when using 1-2 blocks)	\$0.46
W736	FB2-TR-1	10-32 Special Tie Rod for Single Block	\$1.04
W759	FB2-TR-2	10-32 Tie Rod for Dual Block	2.09
W737	FB2-OR-1	Viton O-Ring for FB2 Series	\$0.99
W738	FB2-SHCS-MNT-1	1/4"-20 x 2" SS SHCS (for Mounting)	\$0.55

Kool Flow Water Manifolds

FB2 1" NPT Inlets — Completely assembled and ready to use

Port-to-Divide: Combine hot (red) and cold (blue) into one compact unit, separated by a divider block (end block).

Quick#	Part#	Inlets (2)	Blue Outlets	Divider	Red Outlets	OAL	Price
W550	FB2-1-4-PD	1"	(5) ¼"	Yes	(5) ¼"	4.75"	\$151.00
W551	FB2-2-4-PD	1"	(10) ¼"	Yes	(10) ¼"	7.25"	\$222.00
W552	FB2-3-4-PD	1"	(15) ¼"	Yes	(15) ¼"	9.75"	\$285.00
W553	FB2-4-4-PD	1"	(20) ¼"	Yes	(20) ¼"	12.25"	\$355.00
W554	FB2-5-4-PD	1"	(25) ¼"	Yes	(25) ¼"	14.75"	\$417.00

Quick#	Part#	Inlets (2)	Blue Outlets	Divider	Red Outlets	OAL	Price
W555	FB2-1-6-PD	1"	(5) ⅜"	Yes	(5) ⅜"	4.75"	\$151.00
W556	FB2-2-6-PD	1"	(10) ⅜"	Yes	(10) ⅜"	7.25"	\$222.00
W557	FB2-3-6-PD	1"	(15) ⅜"	Yes	(15) ⅜"	9.75"	\$285.00
W558	FB2-4-6-PD	1"	(20) ⅜"	Yes	(20) ⅜"	12.25"	\$355.00
W559	FB2-5-6-PD	1"	(25) ⅜"	Yes	(25) ⅜"	14.75"	\$417.00

Note: Maximum total blocks used in one configuration is five on either side of divider block.



Quick# W552

Port-to-Port: Provides ability for separation of hot and cold where two end-located inlets are required.

Quick#	Part#	Inlets (2)	Red Outlets	Gray Outlets	OAL	Price
W560	FB2-2-4-R-PP	1"	(5) ¼"	(5) ¼"	3.5"	\$125.00
W561	FB2-3-4-R-PP	1"	(10) ¼"	(5) ¼"	4.75"	\$160.00
W562	FB2-4-4-R-PP	1"	(15) ¼"	(5) ¼"	6.0"	\$196.00
W563	FB2-5-4-R-PP	1"	(20) ¼"	(5) ¼"	7.25"	\$227.00

Quick#	Part#	Inlets (2)	Blue Outlets	Gray Outlets	OAL	Price
W564	FB2-2-4-B-PP	1"	(5) ¼"	(5) ¼"	3.5"	\$125.00
W565	FB2-3-4-B-PP	1"	(10) ¼"	(5) ¼"	4.75"	\$160.00
W566	FB2-4-4-B-PP	1"	(15) ¼"	(5) ¼"	6.0"	\$196.00
W567	FB2-5-4-B-PP	1"	(20) ¼"	(5) ¼"	7.25"	\$227.00

Quick#	Part#	Inlets (2)	Red Outlets	Gray Outlets	OAL	Price
W568	FB2-2-6-R-PP	1"	(5) ⅜"	(5) ⅜"	3.5"	\$125.00
W569	FB2-3-6-R-PP	1"	(10) ⅜"	(5) ⅜"	4.75"	\$160.00
W570	FB2-4-6-R-PP	1"	(15) ⅜"	(5) ⅜"	6.0"	\$196.00
W571	FB2-5-6-R-PP	1"	(20) ⅜"	(5) ⅜"	7.25"	\$227.00

Quick#	Part#	Inlets (2)	Blue Outlets	Gray Outlets	OAL	Price
W572	FB2-2-6-B-PP	1"	(5) ⅜"	(5) ⅜"	3.5"	\$125.00
W573	FB2-3-6-B-PP	1"	(10) ⅜"	(5) ⅜"	4.75"	\$160.00
W574	FB2-4-6-B-PP	1"	(15) ⅜"	(5) ⅜"	6.0"	\$196.00
W575	FB2-5-6-B-PP	1"	(20) ⅜"	(5) ⅜"	7.25"	\$227.00

Note: Maximum total blocks used in one configuration is five.



Quick# W561



Quick# W565

Kool Flow Water Manifolds

FB2 1" NPT Inlets — Completely assembled and ready to use

Port-to-Blank: This configuration eliminates the end plug and allows mounting to hot and cold manifolds in separate locations.

Quick#	Part#	Inlet (1)	Red Outlets	Gray Outlets	OAL	Price
W576	FB2-1-4-R-PB	1"	(5) ¼"	-	3.0"	\$107.00
W577	FB2-2-4-R-PB	1"	(10) ¼"	-	4.25"	\$143.00
W578	FB2-3-4-R-PB	1"	(15) ¼"	-	5.5"	\$171.00
W579	FB2-4-4-R-PB	1"	(20) ¼"	-	6.75"	\$209.00
W580	FB2-5-4-R-PB	1"	(25) ¼"	-	8.5"	\$240.00

Quick#	Part#	Inlet (1)	Blue Outlets	Gray Outlets	OAL	Price
W581	FB2-1-4-B-PB	1"	(5) ¼"	-	3.0"	\$107.00
W582	FB2-2-4-B-PB	1"	(10) ¼"	-	4.25"	\$143.00
W583	FB2-3-4-B-PB	1"	(15) ¼"	-	5.5"	\$171.00
W584	FB2-4-4-B-PB	1"	(20) ¼"	-	6.75"	\$209.00
W585	FB2-5-4-B-PB	1"	(25) ¼"	-	8.5"	\$240.00

Quick#	Part#	Inlet (1)	Red Outlets	Gray Outlets	OAL	Price
W586	FB2-1-6-R-PB	1"	(5) ⅜"	-	3.0"	\$107.00
W587	FB2-2-6-R-PB	1"	(10) ⅜"	-	4.25"	\$143.00
W588	FB2-3-6-R-PB	1"	(15) ⅜"	-	5.5"	\$171.00
W589	FB2-4-6-R-PB	1"	(20) ⅜"	-	6.75"	\$209.00
W590	FB2-5-6-R-PB	1"	(25) ⅜"	-	8.5"	\$240.00

Quick#	Part#	Inlet (1)	Blue Outlets	Gray Outlets	OAL	Price
W591	FB2-1-6-B-PB	1"	(5) ⅜"	-	3.0"	\$107.00
W592	FB2-2-6-B-PB	1"	(10) ⅜"	-	4.25"	\$143.00
W593	FB2-3-6-B-PB	1"	(15) ⅜"	-	5.5"	\$171.00
W594	FB2-4-6-B-PB	1"	(20) ⅜"	-	6.75"	\$209.00
W595	FB2-5-6-B-PB	1"	(25) ⅜"	-	8.5"	\$240.00

Note: Maximum total blocks used in one configuration is six including the end block. All units on this page feature five outlet holes per block except end block, which is blank.



Quick# W578



Quick# W583



Price includes o-rings and hardware required for each block.

Kool Flow Water Manifolds

FB2 90° 1" NPT Inlets — Completely assembled and ready to use

90° Port-to-Divide: Combine hot (red) and cold (blue) into one compact unit, separated by a divider block (end block).

Quick#	Part#	Inlets (2)	Blue Outlets	Divider	Red Outlets	OAL	Price
W596	FB290-1-4-PD	90° 1"	(3) ¼"	Yes	(3) ¼"	5.75"	\$176.00
W597	FB290-2-4-PD	90° 1"	(8) ¼"	Yes	(8) ¼"	8.25"	\$247.00
W598	FB290-3-4-PD	90° 1"	(13) ¼"	Yes	(13) ¼"	10.75"	\$309.00
W599	FB290-4-4-PD	90° 1"	(18) ¼"	Yes	(18) ¼"	13.25"	\$379.00
W600	FB290-5-4-PD	90° 1"	(23) ¼"	Yes	(23) ¼"	15.75"	\$441.00

Quick#	Part#	Inlets (2)	Blue Outlets	Divider	Red Outlets	OAL	Price
W601	FB290-1-6-PD	90° 1"	(3) ⅜"	Yes	(3) ⅜"	5.75"	\$176.00
W602	FB290-2-6-PD	90° 1"	(8) ⅜"	Yes	(8) ⅜"	8.25"	\$247.00
W603	FB290-3-6-PD	90° 1"	(13) ⅜"	Yes	(13) ⅜"	10.75"	\$309.00
W604	FB290-4-6-PD	90° 1"	(18) ⅜"	Yes	(18) ⅜"	13.25"	\$379.00
W605	FB290-5-6-PD	90° 1"	(23) ⅜"	Yes	(23) ⅜"	15.75"	\$441.00

Note: Maximum blocks used in one configuration is five on either side of the divider block.



Quick# W597

90° Port-to-90° Port: Provides ability for separation of hot and cold where two 90° end-located inlets are required.

Quick#	Part#	Inlets (2)	Red Outlets	Gray Outlets	OAL	Price
W606	FB290-2-4-R-PP	90° 1"	(3) ¼"	(3) ¼"	4.5"	\$160.00
W607	FB290-3-4-R-PP	90° 1"	(8) ¼"	(3) ¼"	5.75"	\$195.00
W608	FB290-4-4-R-PP	90° 1"	(13) ¼"	(3) ¼"	7.0"	\$231.00
W609	FB290-5-4-R-PP	90° 1"	(18) ¼"	(3) ¼"	8.25"	\$262.00

Quick#	Part#	Inlets (2)	Blue Outlets	Gray Outlets	OAL	Price
W610	FB290-2-4-B-PP	90° 1"	(3) ¼"	(3) ¼"	4.5"	\$160.00
W611	FB290-3-4-B-PP	90° 1"	(8) ¼"	(3) ¼"	5.75"	\$195.00
W612	FB290-4-4-B-PP	90° 1"	(13) ¼"	(3) ¼"	7.0"	\$231.00
W613	FB290-5-4-B-PP	90° 1"	(18) ¼"	(3) ¼"	8.25"	\$262.00

Quick#	Part#	Inlets (2)	Red Outlets	Gray Outlets	OAL	Price
W614	FB290-2-6-R-PP	90° 1"	(3) ⅜"	(3) ⅜"	4.5"	\$160.00
W615	FB290-3-6-R-PP	90° 1"	(8) ⅜"	(3) ⅜"	5.75"	\$195.00
W616	FB290-4-6-R-PP	90° 1"	(13) ⅜"	(3) ⅜"	7.0"	\$231.00
W617	FB290-5-6-R-PP	90° 1"	(18) ⅜"	(3) ⅜"	8.25"	\$262.00

Quick#	Part#	Inlets (2)	Blue Outlets	Gray Outlets	OAL	Price
W618	FB290-2-6-B-PP	90° 1"	(3) ⅜"	(3) ⅜"	4.5"	\$160.00
W619	FB290-3-6-B-PP	90° 1"	(8) ⅜"	(3) ⅜"	5.75"	\$195.00
W620	FB290-4-6-B-PP	90° 1"	(13) ⅜"	(3) ⅜"	7.0"	\$231.00
W621	FB290-5-6-B-PP	90° 1"	(18) ⅜"	(3) ⅜"	8.25"	\$262.00

Note: Maximum total blocks used in one configuration is five.



Quick# W607



Quick# W610

Kool Flow Water Manifolds

FB2 90° 1" NPT Inlets — Completely assembled and ready to use

90° Port-to-Blank: All units on this page feature five outlet holes per block except end block, which is blank and 90° blocks which have three outlet holes.

Quick#	Part#	Inlet (1)	Red Outlets	Gray Outlets	OAL	Price
W622	FB290-1-4-R-PB	90° 1"	(3) ¼"	-	3.5"	\$118.00
W623	FB290-2-4-R-PB	90° 1"	(8) ¼"	-	4.75"	\$153.00
W624	FB290-3-4-R-PB	90° 1"	(13) ¼"	-	6.0"	\$189.00
W625	FB290-4-4-R-PB	90° 1"	(18) ¼"	-	7.25"	\$220.00
W626	FB290-5-4-R-PB	90° 1"	(23) ¼"	-	8.5"	\$251.00

Quick#	Part#	Inlet (1)	Blue Outlets	Gray Outlets	OAL	Price
W627	FB290-1-4-B-PB	90° 1"	(3) ¼"	-	3.5"	\$118.00
W628	FB290-2-4-B-PB	90° 1"	(8) ¼"	-	4.75"	\$153.00
W629	FB290-3-4-B-PB	90° 1"	(13) ¼"	-	6.0"	\$189.00
W630	FB290-4-4-B-PB	90° 1"	(18) ¼"	-	7.25"	\$220.00
W631	FB290-5-4-B-PB	90° 1"	(23) ¼"	-	8.5"	\$251.00

Quick#	Part#	Inlet (1)	Red Outlets	Gray Outlets	OAL	Price
W632	FB290-1-6-R-PB	90° 1"	(3) ⅜"	-	3.5"	\$118.00
W633	FB290-2-6-R-PB	90° 1"	(8) ⅜"	-	4.75"	\$153.00
W634	FB290-3-6-R-PB	90° 1"	(13) ⅜"	-	6.0"	\$189.00
W635	FB290-4-6-R-PB	90° 1"	(18) ⅜"	-	7.25"	\$220.00
W636	FB290-5-6-R-PB	90° 1"	(23) ⅜"	-	8.5"	\$251.00

Quick#	Part#	Inlet (1)	Blue Outlets	Gray Outlets	OAL	Price
W637	FB290-1-6-B-PB	90° 1"	(3) ⅜"	-	3.5"	\$118.00
W638	FB290-2-6-B-PB	90° 1"	(8) ⅜"	-	4.75"	\$153.00
W639	FB290-3-6-B-PB	90° 1"	(13) ⅜"	-	6.0"	\$189.00
W640	FB290-4-6-B-PB	90° 1"	(18) ⅜"	-	7.25"	\$220.00
W641	FB290-5-6-B-PB	90° 1"	(23) ⅜"	-	8.5"	\$251.00

Note: Maximum total blocks used in one configuration is six, including the end block.



Quick# W623



Quick# W628



See pages 161–165 for hose, fittings, valves, and end plugs



Price includes o-rings and hardware required for each block.

90° Inlets simplify plumbing connections, save space!

Kool Flow Water Manifolds

FB3 Series, Individual Components

Specifications:

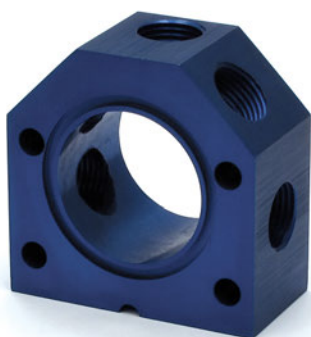
- Block size: 3.00" W x 3.00" H
- Material: 6061-T6, Anodized
- Mounting hole size: 3/8" SHCS
- Inlet hole: 1 1/4" and 1 1/2" NPT
- Outlet holes: 3/8" or 1/2"
- Five outlet holes standard per block (Three outlet holes standard on 90° blocks)
- 400°F temperature range



Standard First Block (red / blue only)



90° First Block (red / blue only)



Mod Block (red / blue only)

Standard First Block (1.5" NPT bore)

Quick#	Part#	Inlet	Outlets (5)	Color	Price
W744	FB3-FB-1.25-6-R	1.25" NPT	3/8" NPT	Red	\$54.98
W745	FB3-FB-1.25-6-B	1.25" NPT	3/8" NPT	Blue	\$54.98
W504	FB3-FB-1.5-6-R	1.5" NPT	3/8" NPT	Red	\$54.98
W505	FB3-FB-1.5-6-B	1.5" NPT	3/8" NPT	Blue	\$54.98
W746	FB3-FB-1.25-8-R	1.25" NPT	1/2" NPT	Red	\$54.98
W747	FB3-FB-1.25-8-B	1.25" NPT	1/2" NPT	Blue	\$54.98
W506	FB3-FB-1.5-8-R	1.5" NPT	1/2" NPT	Red	\$54.98
W507	FB3-FB-1.5-8-B	1.5" NPT	1/2" NPT	Blue	\$54.98

First Blocks are used in the initial position of a manifold and have a threaded inlet, five outlets, two mounting holes and a groove for the o-ring. (90° First Block has only three outlets)

90° First Block

Quick#	Part#	Inlet	Outlets (3)	Color	Price
W748	FB3-FB90-1.25-6-R	1.25" NPT	3/8" NPT	Red	\$89.83
W749	FB3-FB90-1.25-6-B	1.25" NPT	3/8" NPT	Blue	\$89.83
W534	FB3-FB90-1.5-6-R	1.5" NPT	3/8" NPT	Red	\$89.83
W535	FB3-FB90-1.5-6-B	1.5" NPT	3/8" NPT	Blue	\$89.83
W750	FB3-FB90-1.25-8-R	1.25" NPT	1/2" NPT	Red	\$89.83
W751	FB3-FB90-1.25-8-B	1.25" NPT	1/2" NPT	Blue	\$89.83
W536	FB3-FB90-1.5-8-R	1.5" NPT	1/2" NPT	Red	\$89.83
W537	FB3-FB90-1.5-8-B	1.5" NPT	1/2" NPT	Blue	\$89.83

Mod Block

Quick#	Part#	Thru hole	Outlets (5)	Color	Price
W512	FB3-MOD-6-R	1.5" I.D.	3/8" NPT	Red	\$35.32
W513	FB3-MOD-6-B	1.5" I.D.	3/8" NPT	Blue	\$35.32
W514	FB3-MOD-8-R	1.5" I.D.	1/2" NPT	Red	\$35.32
W515	FB3-MOD-8-B	1.5" I.D.	1/2" NPT	Blue	\$35.32

Mod (Modular) Blocks are the 'everything in between' blocks. Use to create a manifold to your specifications. Features through bore, five outlets, and a groove for the o-ring.



Standard Last Block (clear only)

Kool Flow Water Manifolds

FB3 Series, Individual Components

Last Block (only used in Port-to-Port)

Quick#	Part#	Inlet	Outlets (5)	Color	Price
W520	FB3-LB-1.5-6-CL	1.5" NPT	3/8" NPT	Clear	\$53.14
W522	FB3-LB-1.5-8-CL	1.5" NPT	1/2" NPT	Clear	\$53.14

Last Blocks are used in the final position of a manifold and have a threaded inlet, five outlets, two mounting holes and a groove for the o-ring. (90° Last Block has only three outlets)



90° Last Block (clear only)

90° Last Block (only used in Port-to-Port)

Quick#	Part#	Inlet	Outlets (3)	Color	Price
W521	FB3-LB90-1.5-6-CL	1.5" NPT	3/8" NPT	Clear	\$86.98
W523	FB3-LB90-1.5-8-CL	1.5" NPT	1/2" NPT	Clear	\$86.98

When ordering, use Quick#s to ensure order accuracy.



End Block (clear only)

End Block (only used in Port-to-Blank or Port-to-Divide)

Quick#	Part#	Description	Price
W528	FB3-EB-CL	End Block, Clear	\$28.89

End Blocks are used to create a blank at one end of a manifold or to create a center divider in a combined red / blue manifold. Features one mounting hole.

Individual components can be purchased to reconfigure existing manifolds, or if you wish to assemble your Kool Flow manifold at your facility.



O-rings and hardware required for each block

Hardware for FB3 Series

Quick#	Part#	Description	Price
W739	FB3-SHCS-1	M6 x 1.0 x 30mm SS SHCS (when using 3–6 blocks)	\$0.55
W740	FB3-SHCS-2	M6 x 1.0 x 40mm SS SHCS (when using 1–2 blocks)	\$0.60
W741	FB3-TR-1	M6 Special Tie Rod for Single Block	\$1.09
W760	FB3-TR-2	10-32 Tie Rod for Dual Block	\$2.21
W742	FB3-OR-1	Viton O-Ring for FB3 Series	\$1.48
W743	FB3-SHCS-MNT-1	5/16" x 2 1/2" SS SHCS (for Mounting)	\$0.82

Kool Flow Water Manifolds

FB3 1½" NPT Inlets — Completely assembled and ready to use

Port-to-Divide: Combine hot (red) and cold (blue) into one compact unit, separated by a divider block (end block).

Quick#	Part#	Inlets (2)	Red Outlets	Divider	Blue Outlets	OAL	Price
W642	FB3-1-6-PD	1.5"	(5) ⅜"	Yes	(5) ⅜"	6.0	\$171.00
W643	FB3-2-6-PD	1.5"	(10) ⅜"	Yes	(10) ⅜"	9.0	\$239.00
W644	FB3-3-6-PD	1.5"	(15) ⅜"	Yes	(15) ⅜"	12.0	\$322.00
W645	FB3-4-6-PD	1.5"	(20) ⅜"	Yes	(20) ⅜"	15.0	\$404.00
W646	FB3-5-6-PD	1.5"	(25) ⅜"	Yes	(25) ⅜"	18.0	\$478.00

Quick#	Part#	Inlets (2)	Red Outlets	Divider	Blue Outlets	OAL	Price
W647	FB3-1-8-PD	1.5"	(5) ½"	Yes	(5) ½"	6.0	\$171.00
W648	FB3-2-8-PD	1.5"	(10) ½"	Yes	(10) ½"	9.0	\$239.00
W649	FB3-3-8-PD	1.5"	(15) ½"	Yes	(15) ½"	12.0	\$322.00
W650	FB3-4-8-PD	1.5"	(20) ½"	Yes	(20) ½"	15.0	\$404.00
W651	FB3-5-8-PD	1.5"	(25) ½"	Yes	(25) ½"	18.0	\$478.00

Note: Maximum blocks used in one configuration is five, on either side of divider.

Port-to-Port: Provides ability for separation of hot and cold where two end-located inlets are required.

Quick#	Part#	Inlets (2)	Red Outlets	Gray Outlets	OAL	Price
W652	FB3-2-6-R-PP	1.5"	(5) ⅜"	(5) ⅜"	4.5"	\$144.00
W653	FB3-3-6-R-PP	1.5"	(10) ⅜"	(5) ⅜"	6.0"	\$181.00
W654	FB3-4-6-R-PP	1.5"	(15) ⅜"	(5) ⅜"	7.5"	\$218.00
W655	FB3-5-6-R-PP	1.5"	(20) ⅜"	(5) ⅜"	9.0"	\$259.00

Quick#	Part#	Inlets (2)	Blue Outlets	Gray Outlets	OAL	Price
W656	FB3-2-6-B-PP	1.5"	(5) ⅜"	(5) ⅜"	4.5"	\$144.00
W657	FB3-3-6-B-PP	1.5"	(10) ⅜"	(5) ⅜"	6.0"	\$181.00
W658	FB3-4-6-B-PP	1.5"	(15) ⅜"	(5) ⅜"	7.5"	\$218.00
W659	FB3-5-6-B-PP	1.5"	(20) ⅜"	(5) ⅜"	9.0"	\$259.00

Quick#	Part#	Inlets (2)	Red Outlets	Gray Outlets	OAL	Price
W660	FB3-2-8-R-PP	1.5"	(5) ½"	(5) ½"	4.5"	\$144.00
W661	FB3-3-8-R-PP	1.5"	(10) ½"	(5) ½"	6.0"	\$181.00
W662	FB3-4-8-R-PP	1.5"	(15) ½"	(5) ½"	7.5"	\$218.00
W663	FB3-5-8-R-PP	1.5"	(20) ½"	(5) ½"	9.0"	\$259.00

Quick#	Part#	Inlets (2)	Blue Outlets	Gray Outlets	OAL	Price
W664	FB3-2-8-B-PP	1.5"	(5) ½"	(5) ½"	4.5"	\$144.00
W665	FB3-3-8-B-PP	1.5"	(10) ½"	(5) ½"	6.0"	\$181.00
W666	FB3-4-8-B-PP	1.5"	(15) ½"	(5) ½"	7.5"	\$218.00
W667	FB3-5-8-B-PP	1.5"	(20) ½"	(5) ½"	9.0"	\$259.00

Note: Maximum total blocks used in one configuration is five.



Quick# W643



Quick# W657



Quick# W653

Kool Flow Water Manifolds

FB3 1½" NPT Inlets — Completely assembled and ready to use

Port-to-Blank: This configuration eliminates the end plug and allows mounting to hot and cold manifolds in separate locations.

Quick#	Part#	Inlet (1)	Red Outlets	Gray Outlets	OAL	Price
W668	FB3-1-6-R-PB	1.5"	(5) ¾"	-	3.75"	\$113.00
W669	FB3-2-6-R-PB	1.5"	(10) ¾"	-	5.25"	\$152.00
W670	FB3-3-6-R-PB	1.5"	(15) ¾"	-	6.75"	\$188.00
W671	FB3-4-6-R-PB	1.5"	(20) ¾"	-	8.25"	\$229.00
W672	FB3-5-6-R-PB	1.5"	(25) ¾"	-	9.75"	\$266.00

Quick#	Part#	Inlet (1)	Blue Outlets	Gray Outlets	OAL	Price
W673	FB3-1-6-B-PB	1.5"	(5) ¾"	-	3.75"	\$113.00
W674	FB3-2-6-B-PB	1.5"	(10) ¾"	-	5.25"	\$152.00
W675	FB3-3-6-B-PB	1.5"	(15) ¾"	-	6.75"	\$188.00
W676	FB3-4-6-B-PB	1.5"	(20) ¾"	-	8.25"	\$229.00
W677	FB3-5-6-B-PB	1.5"	(25) ¾"	-	9.75"	\$266.00

Quick#	Part#	Inlet (1)	Red Outlets	Gray Outlets	OAL	Price
W678	FB3-1-8-R-PB	1.5"	(5) ½"	-	3.75"	\$113.00
W679	FB3-2-8-R-PB	1.5"	(10) ½"	-	5.25"	\$152.00
W680	FB3-3-8-R-PB	1.5"	(15) ½"	-	6.75"	\$188.00
W681	FB3-4-8-R-PB	1.5"	(20) ½"	-	8.25"	\$229.00
W682	FB3-5-8-R-PB	1.5"	(25) ½"	-	9.75"	\$266.00

Quick#	Part#	Inlet (1)	Blue Outlets	Gray Outlets	OAL	Price
W683	FB3-1-8-B-PB	1.5"	(5) ½"	-	3.75"	\$113.00
W684	FB3-2-8-B-PB	1.5"	(10) ½"	-	5.25"	\$152.00
W685	FB3-3-8-B-PB	1.5"	(15) ½"	-	6.75"	\$188.00
W686	FB3-4-8-B-PB	1.5"	(20) ½"	-	8.25"	\$229.00
W687	FB3-5-8-B-PB	1.5"	(25) ½"	-	9.75"	\$266.00

Note: Maximum total blocks used in one configuration is six including the end block. All units on this page feature five outlet holes per block except end block, which is blank.



Quick# W669



Quick# W674

When ordering, use Quick#s to ensure order accuracy.

Kool Flow Water Manifolds

FB3 90° 1½" NPT Inlets — Completely assembled and ready to use

90° Port-to-Divide: Combine hot (red) and cold (blue) into one compact unit, separated by a divider block (end block).

Quick#	Part#	Inlets (2)	Red Outlet	Divider	Blue Outlet	OAL	Price
W688	FB390-1-6-PD	90° 1.5"	(3) ⅜"	Yes	(3) ⅜"	7.5"	\$207.00
W689	FB390-2-6-PD	90° 1.5"	(8) ⅜"	Yes	(8) ⅜"	10.5"	\$286.00
W690	FB390-3-6-PD	90° 1.5"	(13) ⅜"	Yes	(13) ⅜"	13.5"	\$359.00
W691	FB390-4-6-PD	90° 1.5"	(18) ⅜"	Yes	(18) ⅜"	16.5"	\$441.00
W692	FB390-5-6-PD	90° 1.5"	(23) ⅜"	Yes	(23) ⅜"	19.5"	\$515.00



Quick# W689

Quick#	Part#	Inlets (2)	Red Outlet	Divider	Blue Outlet	OAL	Price
W693	FB390-1-8-PD	90° 1.5"	(3) ½"	Yes	(3) ½"	7.5"	\$207.00
W694	FB390-2-8-PD	90° 1.5"	(8) ½"	Yes	(8) ½"	10.5"	\$286.00
W695	FB390-3-8-PD	90° 1.5"	(13) ½"	Yes	(13) ½"	13.5"	\$359.00
W696	FB390-4-8-PD	90° 1.5"	(18) ½"	Yes	(18) ½"	16.5"	\$441.00
W697	FB390-5-8-PD	90° 1.5"	(23) ½"	Yes	(23) ½"	19.5"	\$515.00

Note: Maximum blocks used in one configuration is five, on either side of the divider block.

90° Port-to-90° Port: Provides ability for separation of hot and cold where two 90° end-located inlets are required.

Quick#	Part#	Inlets (2)	Red Outlet	Gray Outlet	OAL	Price
W698	FB390-2-6-R-PP	90° 1.5"	(3) ⅜"	(3) ⅜"	6.0"	\$186.00
W699	FB390-3-6-R-PP	90° 1.5"	(8) ⅜"	(3) ⅜"	7.5"	\$225.00
W700	FB390-4-6-R-PP	90° 1.5"	(13) ⅜"	(3) ⅜"	9.0"	\$262.00
W701	FB390-5-6-R-PP	90° 1.5"	(18) ⅜"	(3) ⅜"	10.5"	\$303.00



Quick# W699

Quick#	Part#	Inlets (2)	Blue Outlet	Gray Outlet	OAL	Price
W702	FB390-2-6-B-PP	90° 1.5"	(3) ⅜"	(3) ⅜"	6.0"	\$186.00
W703	FB390-3-6-B-PP	90° 1.5"	(8) ⅜"	(3) ⅜"	7.5"	\$225.00
W704	FB390-4-6-B-PP	90° 1.5"	(13) ⅜"	(3) ⅜"	9.0"	\$262.00
W705	FB390-5-6-B-PP	90° 1.5"	(18) ⅜"	(3) ⅜"	10.5"	\$303.00



Quick# W703

Quick#	Part#	inlets (2)	Red Outlet	Gray Outlet	OAL	Price
W706	FB390-2-8-R-PP	90° 1.5"	(3) ½"	(3) ½"	6.0"	\$186.00
W707	FB390-3-8-R-PP	90° 1.5"	(8) ½"	(3) ½"	7.5"	\$225.00
W708	FB390-4-8-R-PP	90° 1.5"	(13) ½"	(3) ½"	9.0"	\$262.00
W709	FB390-5-8-R-PP	90° 1.5"	(18) ½"	(3) ½"	10.5"	\$303.00

Quick#	Part#	Inlet	Blue Outlet	Gray Outlet	OAL	Price
W710	FB390-2-8-B-PP	90° 1.5"	(3) ½"	(3) ½"	6.0"	\$186.00
W711	FB390-3-8-B-PP	90° 1.5"	(8) ½"	(3) ½"	7.5"	\$225.00
W712	FB390-4-8-B-PP	90° 1.5"	(13) ½"	(3) ½"	9.0"	\$262.00
W713	FB390-5-8-B-PP	90° 1.5"	(18) ½"	(3) ½"	10.5"	\$303.00

Note: Maximum total blocks used in one configuration is five.

Kool Flow Water Manifolds

FB3 90° 1½" NPT Inlets — Completely assembled and ready to use

90° Port-to-Blank: All units on this page feature five outlet holes per block except end block, which is blank and 90° blocks which have three outlet holes.

Quick#	Part#	Inlet (1)	Red Outlet	Gray Outlet	OAL	Price
W714	FB390-1-6-R-PB	90° 1.5"	(3) ⅜"	-	4.5"	\$131.00
W715	FB390-2-6-R-PB	90° 1.5"	(8) ⅜"	-	6.0"	\$170.00
W716	FB390-3-6-R-PB	90° 1.5"	(13) ⅜"	-	7.5"	\$207.00
W717	FB390-4-6-R-PB	90° 1.5"	(18) ⅜"	-	9.0"	\$248.00
W718	FB390-5-6-R-PB	90° 1.5"	(23) ⅜"	-	10.5"	\$285.00

Quick#	Part#	Inlet (1)	Blue Outlet	Gray Outlet	OAL	Price
W719	FB390-1-6-B-PB	90° 1.5"	(3) ⅜"	-	4.5"	\$131.00
W720	FB390-2-6-B-PB	90° 1.5"	(8) ⅜"	-	6.0"	\$170.00
W721	FB390-3-6-B-PB	90° 1.5"	(13) ⅜"	-	7.5"	\$207.00
W722	FB390-4-6-B-PB	90° 1.5"	(18) ⅜"	-	9.0"	\$248.00
W723	FB390-5-6-B-PB	90° 1.5"	(23) ⅜"	-	10.5"	\$285.00

Quick#	Part#	Inlet (1)	Red Outlet	Gray Outlet	OAL	Price
W724	FB390-1-8-R-PB	90° 1.5"	(3) ½"	-	4.5"	\$131.00
W725	FB390-2-8-R-PB	90° 1.5"	(8) ½"	-	6.0"	\$170.00
W726	FB390-3-8-R-PB	90° 1.5"	(13) ½"	-	7.5"	\$207.00
W727	FB390-4-8-R-PB	90° 1.5"	(18) ½"	-	9.0"	\$248.00
W728	FB390-5-8-R-PB	90° 1.5"	(23) ½"	-	10.5"	\$285.00

Quick#	Part#	Inlet (1)	Blue Outlet	Gray Outlet	OAL	Price
W729	FB390-1-8-B-PB	90° 1.5"	(3) ½"	-	4.5"	\$131.00
W730	FB390-2-8-B-PB	90° 1.5"	(8) ½"	-	6.0"	\$170.00
W731	FB390-3-8-B-PB	90° 1.5"	(13) ½"	-	7.5"	\$207.00
W732	FB390-4-8-B-PB	90° 1.5"	(18) ½"	-	9.0"	\$248.00
W733	FB390-5-8-B-PB	90° 1.5"	(23) ½"	-	10.5"	\$285.00

Note: Maximum total blocks used in one configuration is six, including the end block.



Quick# W720



Quick# W715



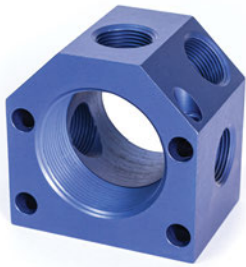
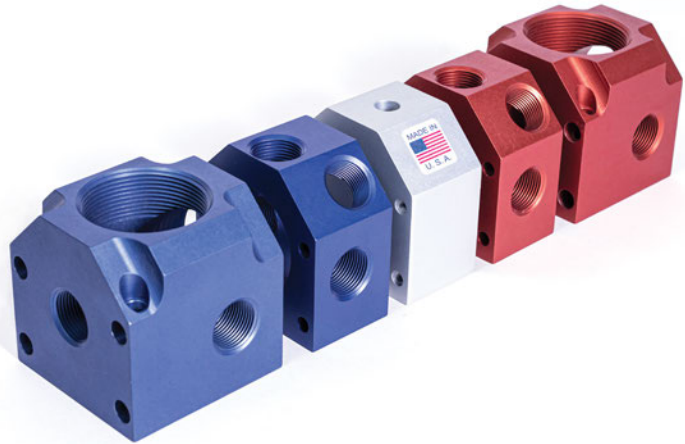
See pages 161–165 for
hose, fittings, valves,
and end plugs

Kool Flow Water Manifolds

FB4 Series, Individual Components

Specifications:

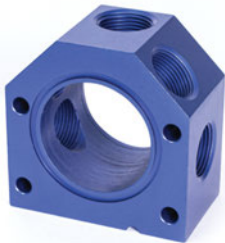
- Block size: 3.50" W x 3.50" H
- Material: 6061-T6, Anodized
- Mounting hole size: 5/16" SHCS
- Inlet hole: 2" NPT
- Outlet holes: 3/4"
- Five outlet holes standard per block (Three outlet holes standard on 90° blocks)
- 400°F temperature range



Standard First Block (red / blue only)



90° First Block (red / blue only)



Mod Block (red / blue only)



End Block (clear only)

Standard First Block (2" NPT bore)

Quick#	Part#	Inlet	Outlets (5)	Color	Price
W752	FB4-FB-2-10-R	2" NPT	3/4" NPT	Red	\$75.01
W753	FB4-FB-2-10-B	2" NPT	3/4" NPT	Blue	\$75.01

First Blocks are used in the initial position of a manifold and have a threaded inlet, five outlets, two mounting holes and a groove for the o-ring. (90° First Block has only three outlets)

90° First Block

Quick#	Part#	Inlet	Outlets (3)	Color	Price
W754	FB4-FB90-2-10-R	2" NPT	3/4" NPT	Red	\$103.54
W755	FB4-FB90-2-10-B	2" NPT	3/4" NPT	Blue	\$103.54

Mod Block

Quick#	Part#	Thru hole	Outlets (5)	Color	Price
W756	FB4-MOD-10-R	2" NPT	3/4" NPT	Red	\$58.37
W757	FB4-MOD-10-B	2" NPT	3/4" NPT	Blue	\$58.37

Mod (Modular) Blocks are the 'everything in between' blocks. Use to create a manifold to your specifications. Features through bore, five outlets, and a groove for the o-ring.

End Block (only used in Port-to-Blank or Port-to-Divide)

Quick#	Part#	Description	Price
W758	FB4-MIDB-2	End Block, Clear	\$49.47

End Blocks are used to create a blank at one end of a manifold or to create a center divider in a combined red / blue manifold. Features one mounting hole.

Kool Flow Water Manifolds

FB4 Series, hardware

Hardware for FB4 Series

Quick#	Part#	Description	Price
W739	FB3-SHCS-1	M6 x 1.0 x 30mm SS SHCS (when using 3–6 blocks)	\$0.55
W740	FB3-SHCS-2	M6 x 1.0 x 40mm SS SHCS (when using 1–2 blocks)	\$0.60
W772	FB4-TR-1	M6 Tie Rod for Single Block FB4 Series	\$1.87
W773	FB4-TR-2	M6 Tie Rod for Dual Block FB4 Series	\$2.75
W771	FB4-OR-1	Viton O-Ring for FB4 Series	\$1.70
W774	FB4-SHCS-MNT-1	5/16" - 18 x 3" SS SHCS (for Mounting)	\$0.88
W775	FB4-SHCS-1	M6x1x25mm SS SHCS (for Mounting)	\$0.49
W776	FB4-SHCS-2	M6x1x45mm SS SHCS (for Mounting)	\$0.61



When ordering, use Quick#s to ensure order accuracy.

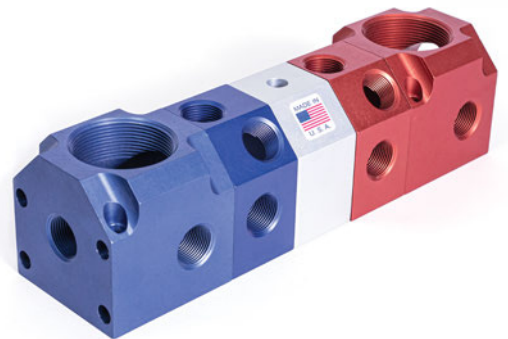
Individual components can be purchased to reconfigure existing manifolds, or if you wish to assemble your Kool Flow manifold at your facility.

Kool Flow Water Manifolds

FB4 2" NPT Inlets — Completely assembled and ready to use

Port-to-Divide: Combine hot (red) and cold (blue) into one compact unit, separated by a divider block (end block).

Quick#	Part#	Inlets (2)	Red Outlets	Divider	Blue Outlets	OAL	Price
W761	FB4-1-10-PD	2"	(5) 3/4"	Yes	(5) 3/4"	7.0"	\$224.00
W762	FB4-2-10-PD	2"	(10) 3/4"	Yes	(10) 3/4"	11.0"	\$355.00
W763	FB4-3-10-PD	2"	(15) 3/4"	Yes	(15) 3/4"	15.0"	\$486.00
W764	FB4-4-10-PD	2"	(20) 3/4"	Yes	(20) 3/4"	19.0"	\$611.00
W765	FB4-5-10-PD	2"	(25) 3/4"	Yes	(25) 3/4"	23.0"	\$742.00



90° Port-to-Divide: Combine hot (red) and cold (blue) into one compact unit, separated by a divider block (end block).

Quick#	Part#	Inlets (2)	Red Outlet	Divider	Blue Outlet	OAL	Price
W766	FB490-1-10-PD	90° 2"	(3) 3/4"	Yes	(3) 3/4"	7.5"	\$325.00
W767	FB490-2-10-PD	90° 2"	(8) 3/4"	Yes	(8) 3/4"	10.5"	\$410.00
W768	FB490-3-10-PD	90° 2"	(13) 3/4"	Yes	(13) 3/4"	13.5"	\$501.00
W769	FB490-4-10-PD	90° 2"	(18) 3/4"	Yes	(18) 3/4"	16.5"	\$607.00
W770	FB490-5-10-PD	90° 2"	(23) 3/4"	Yes	(23) 3/4"	19.5"	\$711.00

Note: Greater number of ports may be possible, please inquire.

Water Flow Regulators

You can't buy better water flow regulators!

EMI's water flow regulators provide precise settings of cooling water flow rates with balancing adjustments, so you get consistent part shrinkage, optimum molding quality and consistency and instant indication of a blocked circuit. Individual circuit regulation valves eliminate flow fluctuations and zone thermometers show "from process" water temperatures. 100% leak tested before shipping. Easy to clean. Adjustable, external sight glass tube rings show deviation, allow fast flow settings when restarting molds.

Series 110 Flow Rate 0–2.6 GPM (10 LPM) per circuit. The essential device for your plastics processing machines for open and closed cooling circuits. Flow volume is indicated in accordance with the float measuring principle: a cone is lifted by the water flowing in the return of the mold circuit. See page 150.

Series 310 Flow Rate 0–8 GPM (30 LPM) per circuit. The optimum flow regulator for large injection molding and blow molding machines. Its low pressure drop makes it suitable for highest flow volumes. Due to the special design of the regulating valves, excellent regulation and accurate reproduction of cooling water volume and temperature in the different mold circuits can also be achieved for low flow volumes. See page 151.

Series 401 (Mini) Flow Rate 0–2.1 GPM (8 LPM) per circuit. The ideal unit specially designed for the smaller range of injection molding machines up to approx. 80 tons clamping force. See page 148.

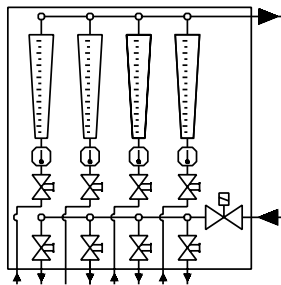
Series 200 (Brass) Flow Rate 0–2.6 GPM (10 LPM) per circuit. See page 156.

Series 230 (Brass) Flow Rate 0–8 GPM (30 LPM) per circuit. The upper and lower blocks as well as the manifolds are made of brass for high temperatures and pressures. See page 156.

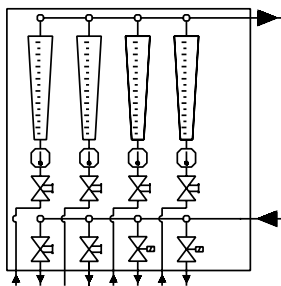
These Options are special order and require a Quote. Contact: Sales@EMlcorp.com

Optional Valves Enhance Your Regulator's Performance (for 110 & 310 series only)

Z-Valve option allows several zones to be shut off if molding is interrupted. Saves water. Prevents unnecessary cool-down. 24 v. connection and water filter included. Default location is Zone 1, unless otherwise specified.



E-Valve automatically shuts off flow to a specific zone to avoid over-cooling sensitive circuits. Must specify Zone for valve.



The Dry-Out Valve option allows complete clean-out of the Regulator and mold channels by compressed air. Special manifold block provided. Default location is last Zone, unless otherwise specified.

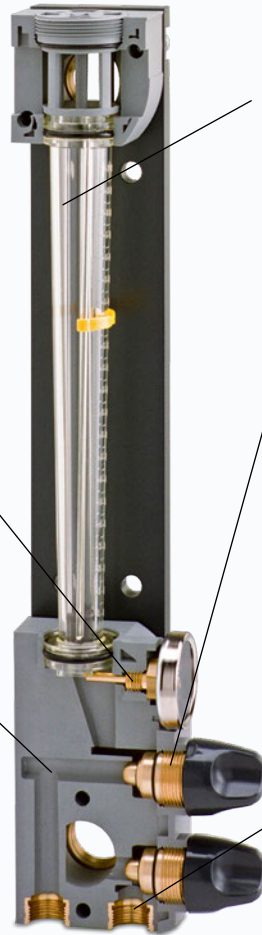


Water Flow Regulators

Here's what our competitors don't want you to know:

Thermometer is directly in the water flow giving a more precise reading and a quicker reaction to changes. Competitors' thermometers are not in water flow path.

Enlarged water passages minimize flow restrictions, deliver increased flow volume through the mold and enhance heat transfer performance. In fact, pressure drop from these EMI regulators is about half that of competitive units. That's an important difference if plant water pressure is low.



Our sight tube is polyamide 12 which is superior, compared to competitors' polycarbonate, when higher temperature water is used.

Competitors' regulators include a large diameter valve for the main seat which means regulation is not precise. With a very small movement of the handwheel, the valve is opened almost completely. Our units have a smaller diameter seat which allows better adjustment of flow.

EMI flow regulators include $\frac{3}{8}$ " precision, threaded brass inserts for your water hose connections, unlike poorly designed regulators which use leak-prone molded threads which can strip easily.



Quality, precision engineering and rugged construction are evident in EMI Flow Regulators: housings molded of reinforced polyphenylene oxide for tough industrial use; sight glasses molded of polyamide 12 to stand up to high water temperatures; reference marks are molded in, not painted on; EPDM o-ring seals are heat and water resistant; all brass valve construction prevents leaks; large water passages minimize pressure drop and increase flow volumes. All brass models are available for applications above 180°F, see page 156.

Easy to clean sight glasses

By simply unscrewing a plug, located at the top of the housing, and inserting the specially designed brush, the glass can be easily brushed clean . . . without having to be removed from the housing.

Sight glasses and o-rings can be replaced without taking the unit apart

Sight glasses and / or o-rings can be easily withdrawn through the upper housing, with no need to disassemble the entire unit. Because the main body of the unit remains intact, the chance of leaks developing has been almost eliminated.

Mini Water Flow Regulators Series 401

2.1 GPM (8 LPM) per zone maximum

3/4" NPT supply

Features:

- Individual circuit regulation valves to eliminate flow fluctuations.
- Reference marks are molded into, not painted on the sight glasses.
- Internal composite floats along with external, adjustable sight glass tube rings.
- 100% leak tested before shipping.
- Mold connections with 12mm brass socket for 1/2" I.D. hose with clamp.



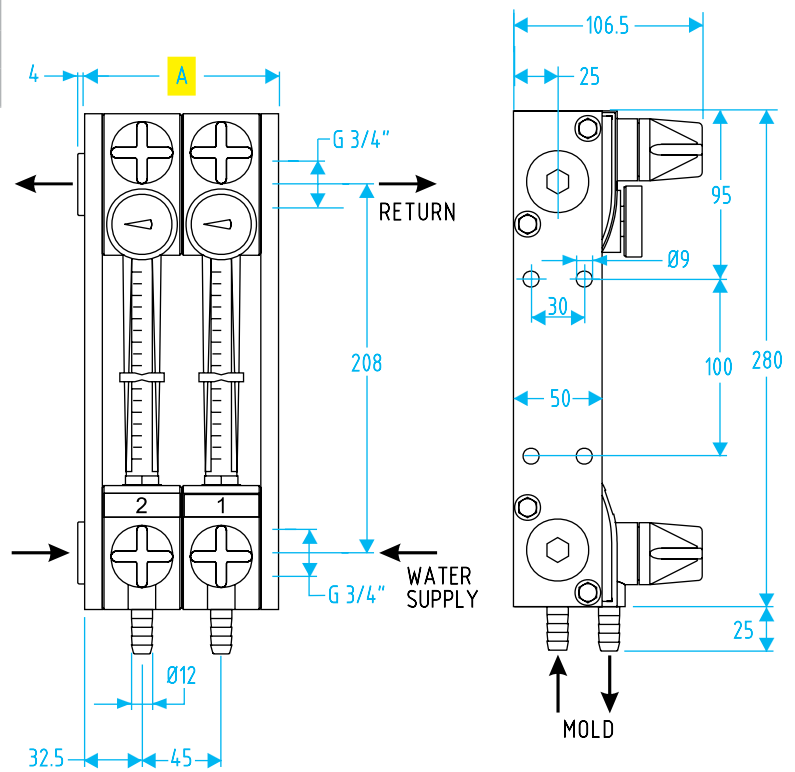
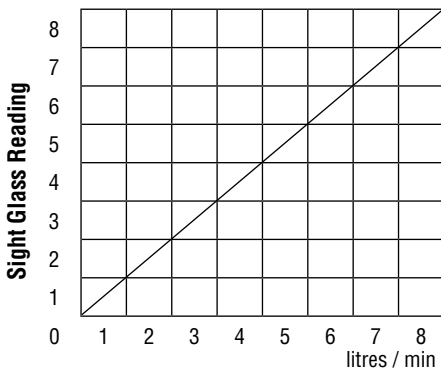
Water Flow Regulators Series 401

Quick#	Part#	# of Zones	A (mm)	Price
W073	WFR2M-2	2	110	\$321.00
W074	WFR2M-4	4	200	\$467.00
W075	WFR2M-6	6	290	\$633.00
W076	WFR2M-8	8	380	\$799.00

Specifications

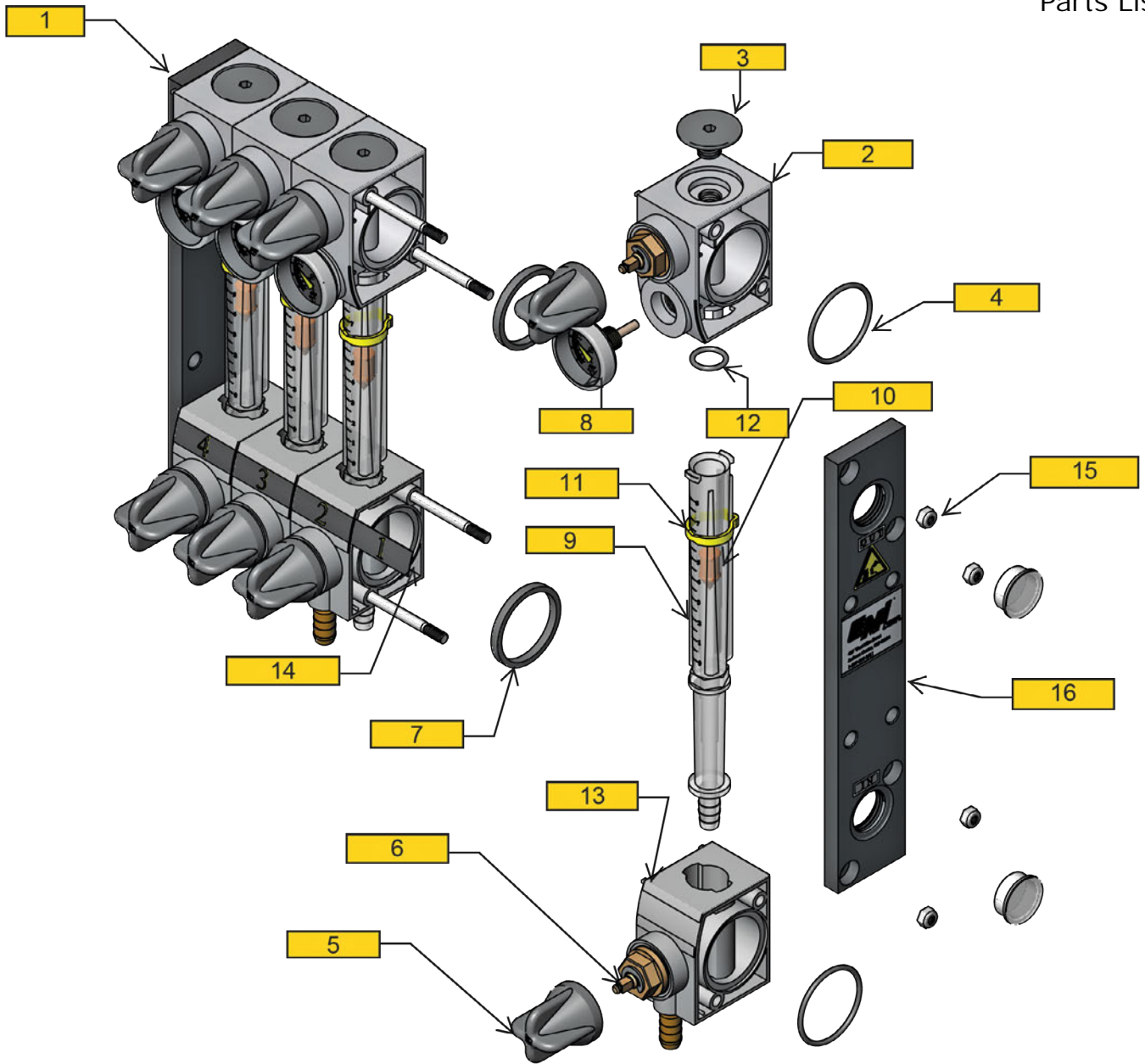
Maximum Pressure	Maximum Temperature
145 psi (10 bar)	104°F (40°C)
116 psi (8 bar)	140°F (60°C)
87 psi (6 bar)	176°F (80°C)
58 psi (4 bar)	212°F (100°C)

Flow Chart for WFR2M



Mini Water Flow Regulators Series 401

Parts List



Item	Quick#	Part#	Description
1	WP201	D900000633	Left Side End Plate- No Port
2	WP203	D900000737	Upper Manifold-w/ Plug, Valve & Thermometer
3	WP204	D900000502	Plug w/O-ring
4	WP205	MD00000004	O-ring-42mmX2.5mm
5	WP206	D700000682	Adjustment Knob
6	WP207	D800000009	Control Valve w/ O-rings
7	WP208	D700000021	Joint O-ring-47mmX40mmX4.8mm
8	WP209	D700000726	Thermometer
9	WP210	D900000282	Sight Glass Assembly

Item	Quick#	Part#	Description
10	WP211	D700000075	Brass Float
11	WP212	D700000016	Indicator Ring
12	WP213	MD000000007	O-ring-26.65mmX2.62mm
13	WP214	D900000730	Lower Manifold-w/Valve
14	WP215	D800000941	Label Set-1-8
15	-	Call EMI	Nut & Screw, Specify Zones
16	WP216	D900000822	Right Side End Plate 3/4" NPT
17	WP217	D700000125	Cleaning Brush (not shown)

Note: Cleaning brush comes standard with 101 and 301 series Water Flow Regulators. Purchase separately, Quick# WP217,

Water Flow Regulators Series 110

2.6 GPM (10 LPM) per zone maximum

3/4" NPT supply

Features:

- Individual circuit regulation valves to eliminate flow fluctuations.
- Reference marks are molded into, not painted on the sight glasses.
- Internal composite floats along with external, adjustable sight glass tube rings.
- 100% leak tested before shipping.
- Each water flow regulator comes with a cleaning brush & tool.
- Standard: mold connections with 3/8" NPT brass threaded sleeve.
- See optional valves on page 146.



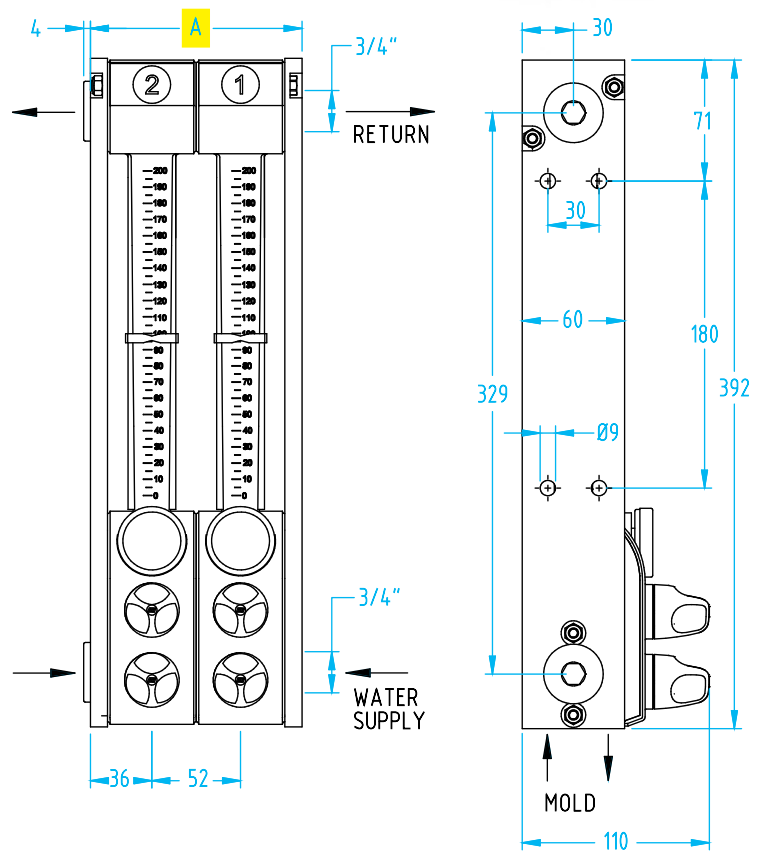
Water Flow Regulators Series 110

Quick#	Part#	# of Zones	A (mm)	Price
W182	WFR110-1	1	72	\$238.00
W183	WFR110-2	2	124	\$346.00
W184	WFR110-4	4	229	\$527.00
W185	WFR110-6	6	334	\$699.00
W186	WFR110-8	8	439	\$889.00
W187	WFR110-10	10	543	\$1,071.00
W188	WFR110-12	12	647	\$1,252.00

When ordering, use Quick#s to ensure order accuracy.

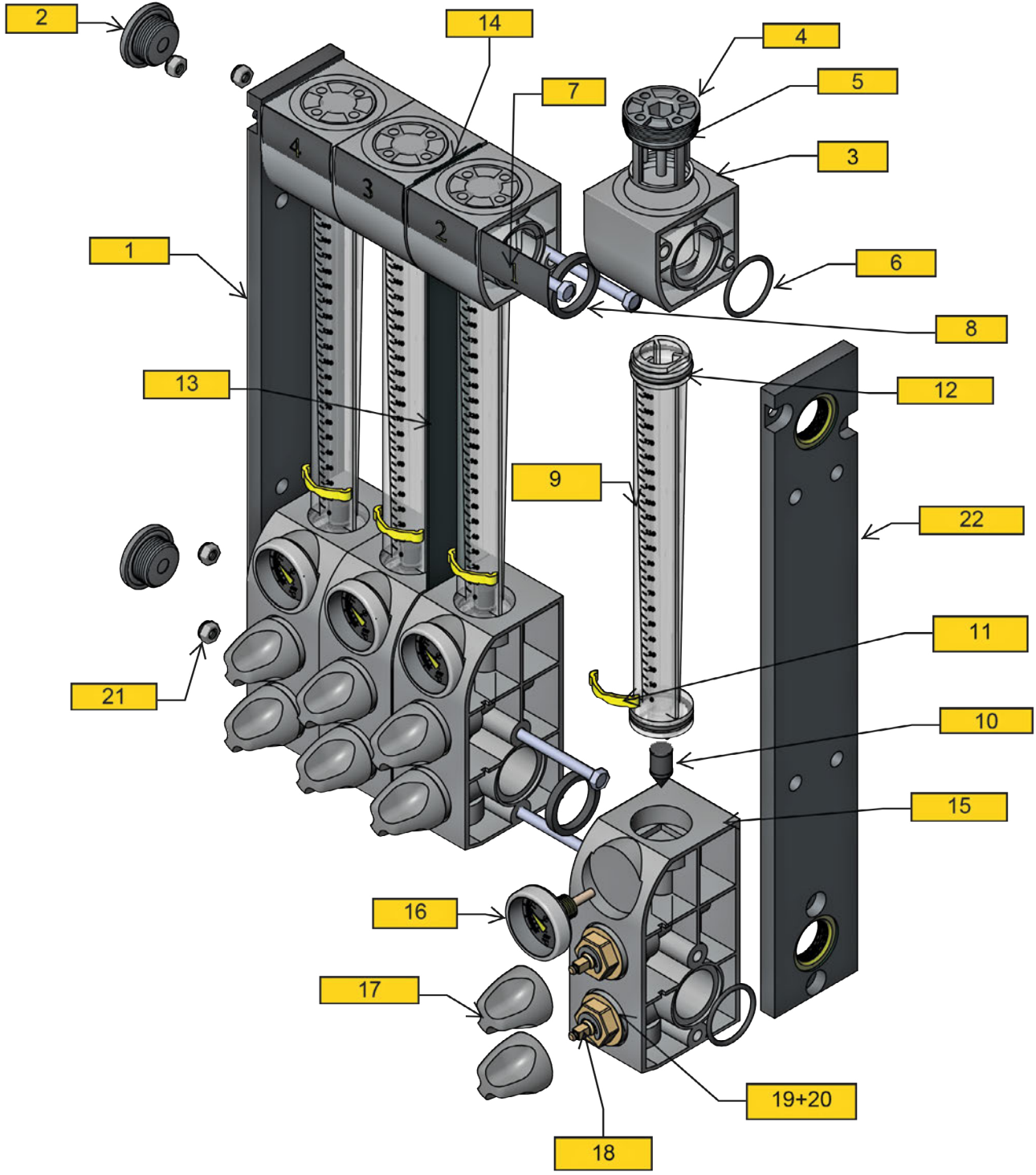
Specifications

Maximum Pressure	Maximum Temperature
145 psi (10 bar)	104°F (40°C)
116 psi (8 bar)	140°F (60°C)
87 psi (6 bar)	176°F (80°C)
58 psi (4 bar)	212°F (100°C)



Water Flow Regulators Series 110

Exploded View



Water Flow Regulators Series 110

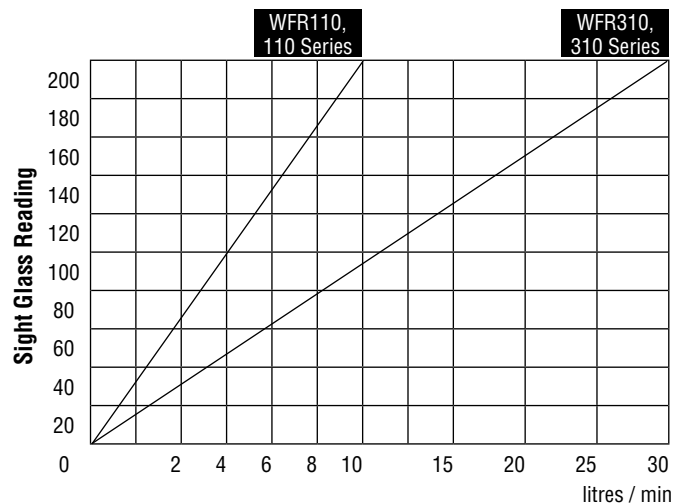
Parts List

2.6 GPM units (also Wittmann series 110)

Item	Quick#	Part#	Description
1	WP218	D900000342	Left Side End Plate 3/4" NPT
2	WP219	D900000343	Plug w/ O-ring
3	WP221	D800001173	Upper Manifold-w/Plug
4	WP222	D900000883	Upper Manifold Plug Cap w/ O-ring
5	WP229	MD00000202	O-ring 33mmX2mm
6	WP224	MD00000013	O-ring-29.82mmX2.62mm
7	WP223	D700001338	Label Set 1-12
8	WP225	D700000079	Joint Ring-35mmX28mmX4.8mm
9	WP226	D900001198	Sight Glass Assembly
10	WP227	D700000593	Composite Float
11	WP228	D700000036	Indicator Ring
12	WP213	MD00000007	O-ring-26.65mmX2.62mm
13	WP230	D900000321	Center Plate w/ O-ring
14	WP231	D700000078	Center Plate O-ring
15	WP232	D900001162	Lower Manifold w/ Valve & Thermometer
16	WP209	D700000726	Thermometer
17	WP233	D700001169	Adjustment Knob
18	WP234	D800001524	Control Valve w/ O-rings
19	WP235	MD00000329	Control Valve O-ring 12mmX2mm
20	WP236	MD00000355	Control Valve O-ring 18mmX2mm
21		CALL	Nut/Screw, Specify Zones
22	WP237	D900000341	Right Side End Plate 3/4" NPT
23	WP217	D700000125	Cleaning Brush (not shown)

Note: Cleaning brush comes standard with 110 and 310 series Water Flow Regulators.

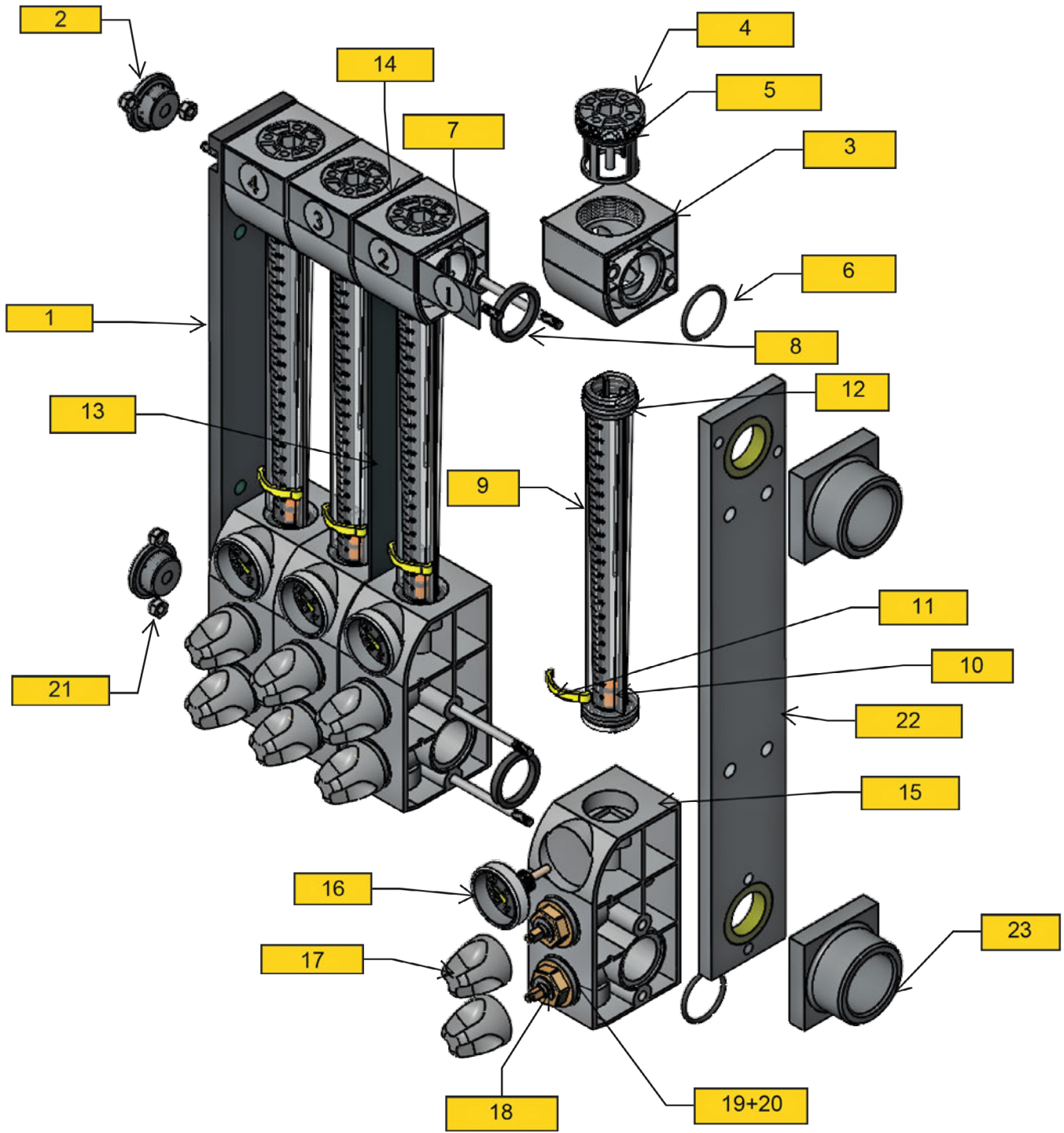
When ordering, use Quick#s to ensure order accuracy.



Flow Chart for WFR110 and WFR310

Water Flow Regulators Series 310

Exploded View



Water Flow Regulators Series 310

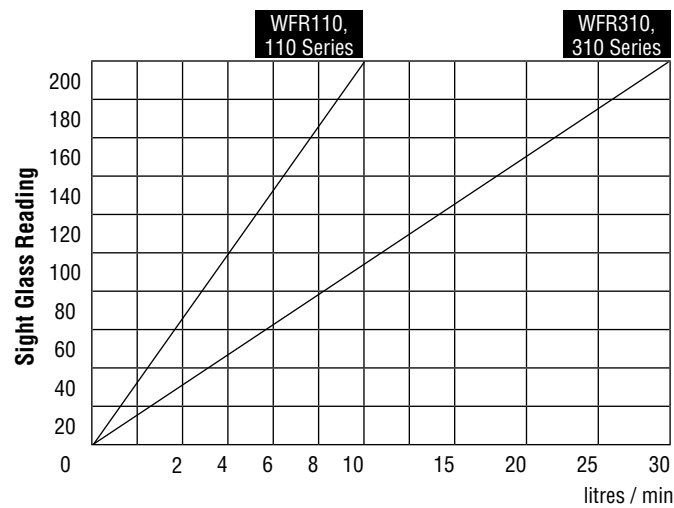
Parts List

8 GPM units (also Wittmann series 310)

Item	Quick#	Part#	Description
1	WP218	D900000342	Left Side End Plate 3/4" NPT
2	WP219	D900000343	Plug w/ O-ring
3	WP221	D800001173	Upper Manifold- w/Plug
4	WP222	D900000883	Upper Manifold Plug Cap w/ O-ring
5	WP229	MD00000202	O-ring 33mmX2mm
6	WP224	MD00000013	O-ring-29.82mmX2.62mm
7	WP223	D700001338	Label Set 1-12
8	WP225	D700000079	Joint Ring-35mmX28mmX4.8mm
9	WP238	D900001197	Sight Glass Assembly
10	WP211	D700000075	Brass Float
11	WP228	D700000036	Indicator Ring
12	WP213	MD00000007	O-ring-26.65mmX2.62mm
13	WP230	D900000321	Center Plate w/ O-Ring
14	WP231	D700000078	Center Plate O-ring
15	WP232	D900001162	Lower Manifold w/ Valve & Thermometer
16	WP209	D700000726	Thermometer
17	WP233	D700001169	Adjustment Knob
18	WP234	D800001524	Control Valve w/ O-rings
19	WP235	MD00000329	Control Valve O-ring 12mmX2mm
20	WP236	MD00000355	Control Valve O-ring 18mmX2mm
21	CALL		Nut/Screw, Specify Zones
22	WP239	D900000038	Right Side End Plate
23	WP240	D900000230	Connecting Part
24	WP217	D700000125	Cleaning Brush (not shown)

Note: Cleaning brush comes standard with 110 and 310 series Water Flow Regulators.

When ordering, use Quick#s to ensure order accuracy.



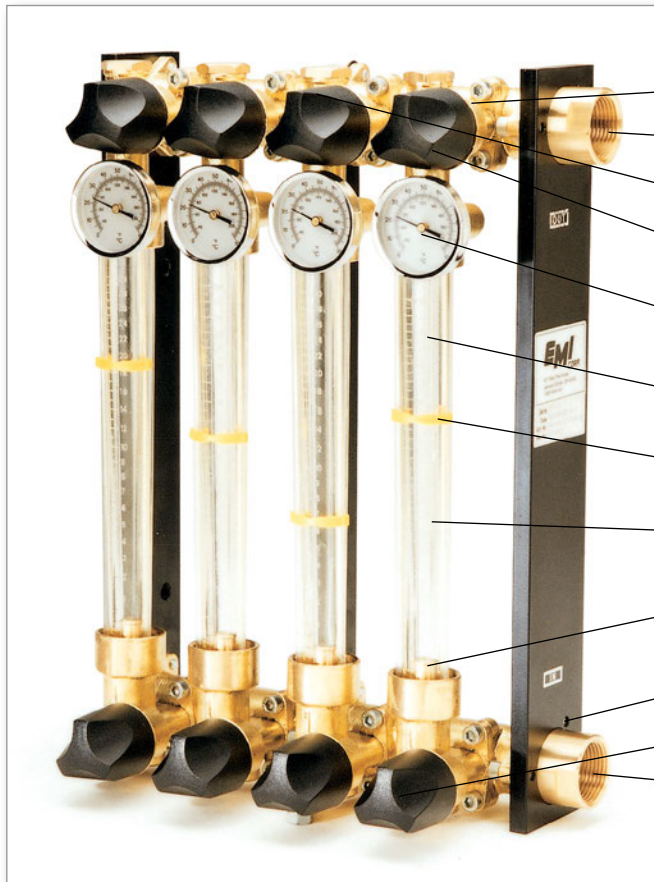
Flow Chart for WFR110 and WFR310

Brass Water Flow Regulators

Leak resistant, these are ideal where water quality is poor.

EMI's all brass water flow regulators stand up to the toughest water and heat challenges while delivering precise cooling water flow rates. You'll get consistent part shrinkage and optimum molding quality. Individual circuit regulation valves eliminate flow fluctuations and individual zone thermometers show "from process" temperatures.

Removable plugs provide quick access for sight glass cleaning (brush provided). Polyamide sight glass tubes for high temperature performance. Reference marks molded in. Brass floats and external sight glass tube rings show flow deviations, allow fast flow settings. Rated for temperatures up to 212°F .



2 to 12 Zone Models

- All brass valve components & housing
- 1" NPT outlet
- Removable plugs for cleaning sight glass
- Regulation valve for water FROM MOLD
- Thermometer calibrated 0°–100°C, 32°–212°F
- Permanently mounted Polyamide 12 sight glass
- Adjustable flow reference rings
- Maximum pressure 232 psi
- Composite float cones inside flow tubes to read against reference rings.
- Pre-drilled mounting holes
- Regulation valve for water TO MOLD
- 1" NPT Inlet

Features:

- Series 200: 0–2.6 GPM (10 LPM)
- Series 230: 0–8 GPM (30LPM)
- Individual circuit regulation valves to eliminate flow fluctuations.
- Reference marks are molded into, not painted on, the sight glasses.
- Internal composite floats along with external, adjustable sight glass tube rings.
- 100% leak tested before shipping.

Note: As opposed to the 110 & 310 Series Water Flow Regulators which have a 3/8" NPT to mold, the mold connections on all EMI Brass Water Flow Regulators are G-3/8" thread. To adapt to 3/8" NPT, order EMI #WFR-G375 - \$9.50 each. *Quick# W102.*

Specifications

Maximum Pressure	Maximum Temperature
232 psi (16 bar)	68°F (20°C)
145 psi (10 bar)	104°F (40°C)
116 psi (8 bar)	140°F (60°C)
87 psi (6 bar)	176°F (80°C)
58 psi (4 bar)	212°F (100°C)

Brass Water Flow Regulators Series 200/230

2.6 GMP (10LPM) / 8 GPM (30LPM) per zone maximum

1" NPT supply



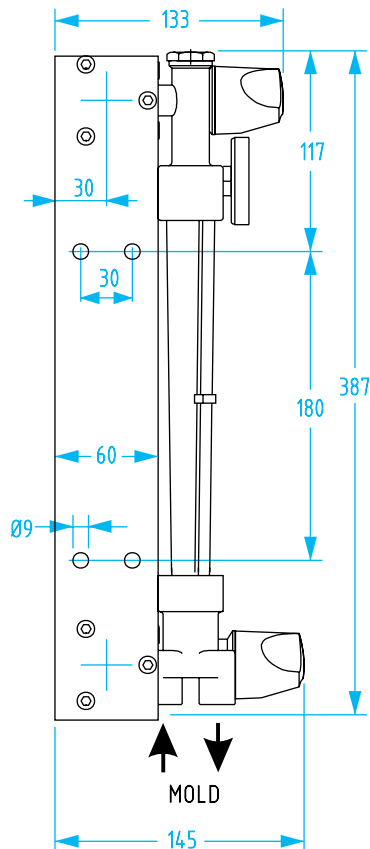
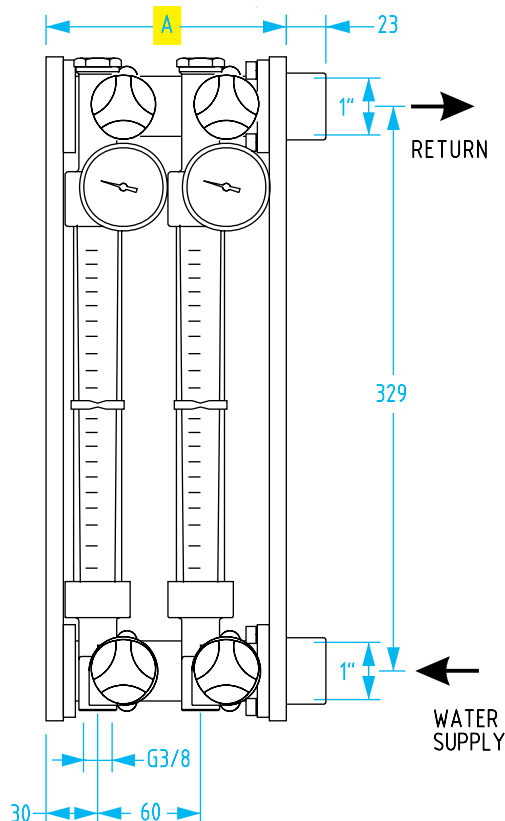
Brass Water Flow Regulators Series 200 – 2.6 GPM

Quick#	Part#	# of Zones	A (mm)	Price
W193	WFR200-2	2	140	\$529.00
W194	WFR200-4	4	262	\$875.00
W195	WFR200-6	6	384	\$1,225.00
W196	WFR200-8	8	506	\$1,572.00
W197	WFR200-10	10	628	\$1,917.00
W198	WFR200-12	12	750	\$2,175.00

Brass Water Flow Regulators Series 230 – 8 GPM

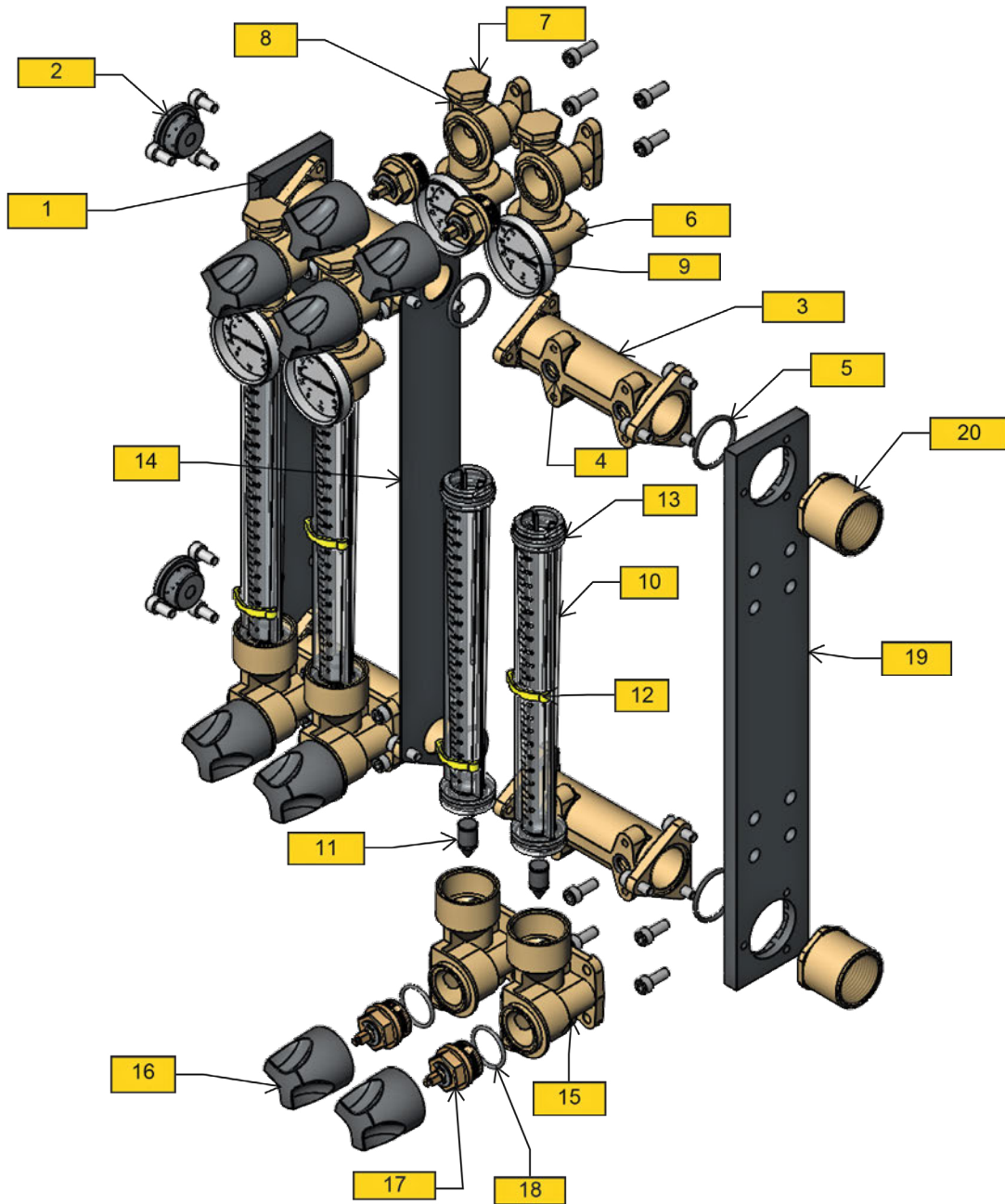
Quick#	Part#	# of Zones	A (mm)	Price
W097	WFRB-202	2	140	\$557.00
W098	WFRB-204	4	262	\$921.00
W099	WFRB-206	6	384	\$1,289.00
W100	WFRB-208	8	506	\$1,655.00
W101	WFRB-210	10	628	\$2,018.00
W192	WFRB-212	12	750	\$2,290.00

Note: The mold connections on all EMI Brass Water Flow Regulators are G-3/8 thread. To adapt to 3/8" NPT, order EMI #WFR-G375 - \$9.50 each. Quick# W102.



Series 200 Brass Water Flow Regulator (2.6 GPM)

Exploded View and Parts List



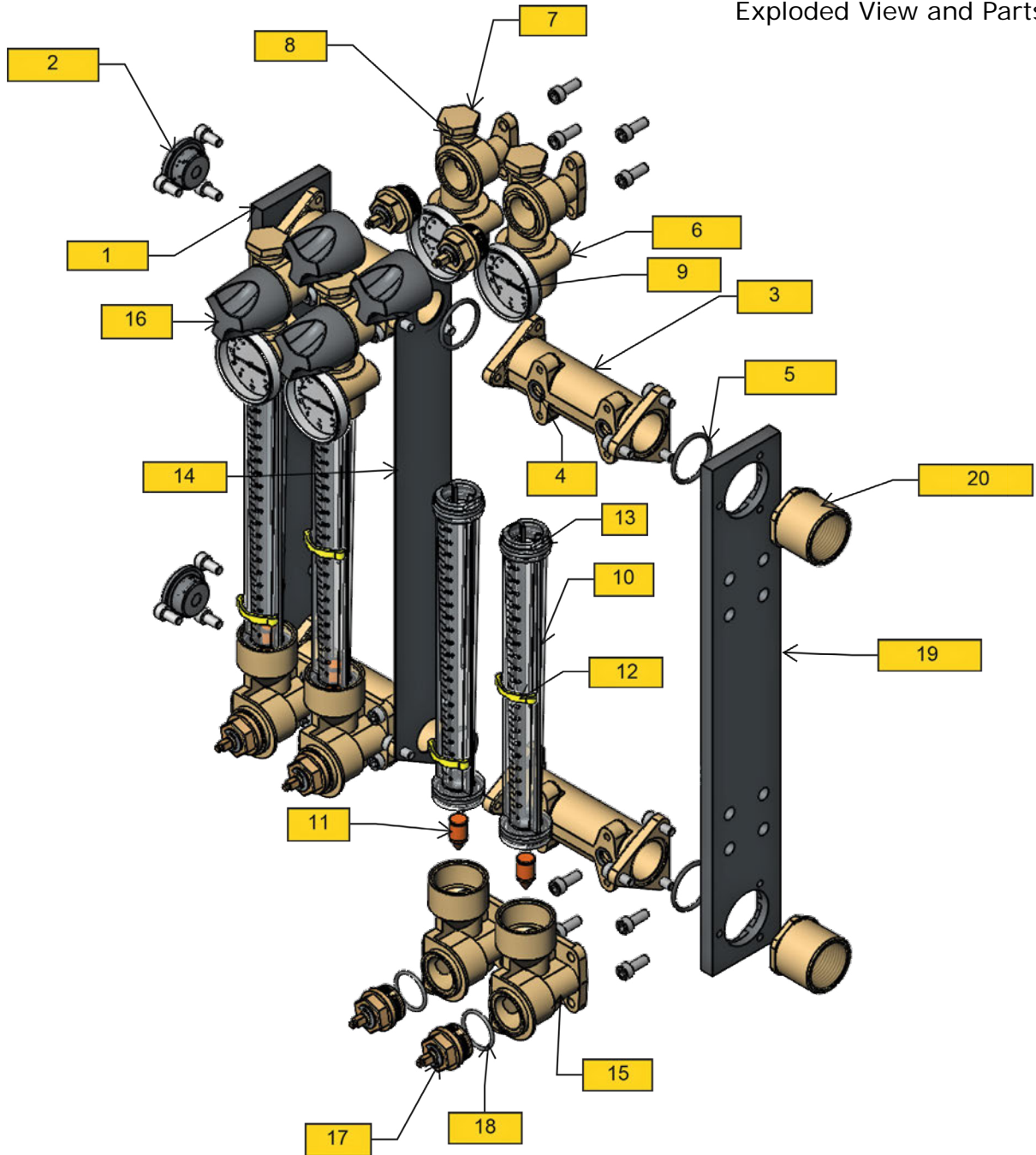
Item	Quick#	Part#	Description
1	WP250	D900000768	Left Side End Plate
2	WP219	D900000343	Plug w/ O-ring
3	WP251	D900000009	Manifold Block
4	WP252	MD00000005	O-ring-10mmX2mm
5	WP253	MD00000046	O-ring-29mmX2mm
6	WP254	D900000007	Upper Manifold-w/ Valve & Thermometer
7	WP255	D900000473	Sealing Cap
8	WP256	MD00000006	Seal Cap O-ring-17mmX2mm
9	WP257	D700000035	Thermometer
10	WP258	D900001196	Sight Glass Assembly
11	WP227	D700000593	Composite Float

Item	Quick#	Part#	Description
12	WP228	D700000036	Indicator Ring
13	WP213	MD00000007	O-ring-26.65mmX2.62mm
14	WP259	D900000035	Center Plate w/ O-Ring
15	WP260	D900000008	Lower Manifold w/ Valve
16	WP261	D700000056	Adjustment Knob
17	WP262	D800000001	Control Valve w/ O-rings
18	WP263	MD00000008	O-ring-23mmX2mm
19	WP264	D900000770	Right Side End Plate
20	WP265	D900000312	Brass Insert NPT 1"
21	WP217	D700000125	Cleaning Brush (not shown)

When ordering, use Quick#s to ensure order accuracy.

Series 230 Brass Water Flow Regulator (8 GPM)

Exploded View and Parts List



Item	Quick#	Part#	Description
1	WP250	D90000768	Left Side End Plate
2	WP219	D90000343	Plug w/ O-ring
3	WP251	D90000009	Manifold Block
4	WP252	MD0000005	O-ring-10mmX2mm
5	WP253	MD0000046	O-ring-29mmX2mm
6	WP254	D90000007	Upper Manifold-w/ Valve & Thermometer
7	WP255	D90000473	Sealing Cap
8	WP256	MD0000006	Seal Cap O-ring-17mmX2mm
9	WP257	D70000035	Thermometer
10	WP266	D900001195	Sight Glass Assembly
11	WP211	D70000075	Brass Float

Item	Quick#	Part#	Description
12	WP228	D70000036	Indicator Ring
13	WP213	MD0000007	O-ring-26.65mmX2.62mm
14	WP259	D90000035	Center Plate w/ O-Ring
15	WP260	D90000008	Lower Manifold w/ Valve
16	WP261	D70000056	Adjustment Knob
17	WP262	D80000001	Control Valve w/ O-rings
18	WP263	MD0000008	O-ring-23mmX2mm
19	WP264	D90000770	Right Side End Plate
20	WP265	D90000312	Brass Insert NPT 1"
21	WP217	D70000125	Cleaning Brush (not shown)












When ordering, use Quick#s to ensure order accuracy.

Shop Online Discontinued Items

While supplies last!

Click the boxes below to shop online discontinued products!

Discontinued and Clearance items are covered by EMI's Limited Warranty.

 <p>TALKOB-Safe Lock Coupling For 3/8" Hose-1/4" Flow ID Item#: 206TSL Available: Low Stock</p> <p>\$3.90 Each Qty: <input type="text"/></p> <p>Add to Cart</p> <p><input type="checkbox"/> Select to Compare</p>	 <p>TALKOB-Safe Lock Coupling For 3/8" Hose-1/4" Flow ID Item#: 226VTSL Available: Low Stock</p> <p>\$4.61 Each Qty: <input type="text"/></p> <p>Add to Cart</p> <p><input type="checkbox"/> Select to Compare</p>	 <p>TALKOB-Safe Lock Coupling For 3/8" Hose-3/8" Flow ID Item#: 306TSL Manufacturer Item: SE66 Available: Low Stock</p> <p>\$5.40 Each Qty: <input type="text"/></p> <p>Add to Cart</p> <p><input type="checkbox"/> Select to Compare</p>
 <p>TALKOB-Safe Lock Coupling For 1/2" Hose-3/8" Flow ID Item#: 308TSL Available: Low Stock</p> <p>\$5.40 Each Qty: <input type="text"/></p> <p>Add to Cart</p> <p><input type="checkbox"/> Select to Compare</p>	 <p>TALKOB-Safe Lock Coupling For 1/2" Hose-3/8" Flow ID Item#: 308VTSL Available: Low Stock</p> <p>\$6.60 Each Qty: <input type="text"/></p> <p>Add to Cart</p> <p><input type="checkbox"/> Select to Compare</p>	 <p>W230 Hose 831 Black 3/4" Diameter Item#: 831 12BLK Available: Low Stock</p> <p>\$4.96 Foot Qty: <input type="text"/></p> <p>Add to Cart</p> <p><input type="checkbox"/> Select to Compare</p>
 <p>TALKOB-1/2" ID-Silicone Hose SS Cover Item#: ETF513 Manufacturer Item: SS31 Available: Low Stock</p> <p>\$3.66 Foot Qty: <input type="text"/></p> <p>Add to Cart</p> <p><input type="checkbox"/> Select to Compare</p>	 <p>TALKOB-1/2" ID-EDPM Hose-Blue Item#: ETFW13B Manufacturer Item: SR31 Available: Low Stock</p> <p>\$1.14 Foot Qty: <input type="text"/></p> <p>Add to Cart</p> <p><input type="checkbox"/> Select to Compare</p>	 <p>TALKOB-1/2" ID-EDPM Hose-Red Item#: ETFW13R Manufacturer Item: SR31 Available: Low Stock</p> <p>\$1.14 Foot Qty: <input type="text"/></p> <p>Add to Cart</p> <p><input type="checkbox"/> Select to Compare</p>
 <p>W147 Hose Clamp Diameter Range: 7/16 - 1" Item#: HC350008 Manufacturer Item: SE44 Available: In Stock</p> <p>\$1.00 Each Qty: <input type="text"/></p> <p>Add to Cart</p> <p><input type="checkbox"/> Select to Compare</p>	 <p>W151 Hose Clamp Diameter Range: 7/8 - 1-3/4" Item#: HC350020 Manufacturer Item: SE43 Available: Low Stock</p> <p>\$1.00 Each Qty: <input type="text"/></p> <p>Add to Cart</p> <p><input type="checkbox"/> Select to Compare</p>	

Lock-On Hoses

Color coding provides easier, faster line identification in applications where multiple hoses need to carry different media.

Recommended for: Petroleum-base hydraulic oils, glycol, antifreeze solutions, water, hot lubricating oils, diesel fuels, and air. Lock-On hoses are not recommended for pressure surge applications or for critical applications, such as permanent piping in residential or commercial buildings.

Construction: Tube; Type C (Nitrile), Black. Reinforcement: Braided, high tensile synthetic textile cord. Cover: Type A (Neoprene). Black. Type C2: (Modified Nitrile) Blue, Red, Yellow, Green, or Gray.

Temperature Range: -40°F to +212°F (-40°C to + 100°C) normal service. For air: 160°F (+71°C) only.

Packaging: ¼" through ½": Packaged in 300' reels. Maximum of 3 pieces per reel. Minimum length 50'.

⅝": Packaged in 250' reels. Maximum of 3 pieces per reel. Minimum length 50'.

¾": Packaged in 225' reels. Maximum of 3 pieces per reel. Minimum length 50'.

Lock-On Hoses

Quick#	Part#	I.D. Inch (mm)	O.D. Inch (mm)	Working Pressure (psi)	Min. Bend Radius Inch (mm)	Price per ft.	Reel Length
W152	H-4YEL	¼" (6.4)	0.47" (11.9)	300	3" (76)	\$1.74	(300')
W153	H-4BLU						
W154	H-4GRN						
W155	H-4BLK						
W156	H-4GRA						
W157	H-4RED						
W158	H-6YEL	⅜" (9.5)	0.63" (15.9)	300	3" (76)	\$2.20	(300')
W159	H-6BLU						
W160	H-6GRN						
W161	H-6BLK						
W162	H-6GRA						
W163	H-6RED						
W164	H-8YEL	½" (12.7)	0.77" (19.6)	300	5" (127)	\$2.56	(300')
W165	H-8BLU						
W166	H-8GRN						
W167	H-8BLK						
W168	H-8GRA						
W169	H-8RED						
W170	H-10YEL	⅝" (15.9)	0.94" (23.9)	300	6" (152)	\$3.42	(250')
W171	H-10BLU						
W172	H-10GRN						
W173	H-10BLK						
W174	H-10GRA						
W175	H-10RED						
W176	H-12YEL	¾" (19.1)	1.06" (26.9)	300	7" (178)	\$4.16	(225')
W177	H-12BLU						
W178	H-12GRN						
W179	H-12BLK						
W180	H-12GRA						
W181	H-12RED						



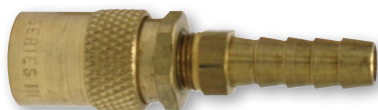
Quick Disconnect Couplings

Designed specifically for fluid lines to molds

EMI's Brass Quick Disconnect Couplings provide the flow needed to cool or heat injection molds and die casting dies. Available in non-valved to provide maximum flow and valved to prevent fluid loss during disconnection. Temperature rated for -30° F to 450° F (-34° C to 232° C) and 200 psi (14 BAR) pressure rated. Approved for water, water-glycol and oil based media.



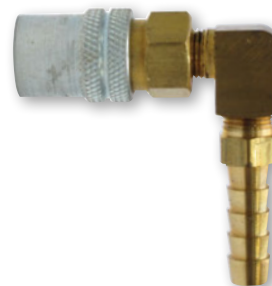
Straight



45° Angle



90° Angle



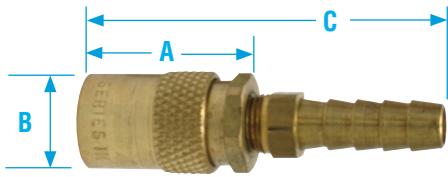
Features

- Specifically designed for connecting coolant lines to molds and dies on injection molding machinery. Couplers and nipples are available with or without valves.
- Valved couplers can be used with either valved or non-valved nipples. A valved nipple, however, must be used with a valved coupler.
- Significantly reduce machine downtime by providing fast and easy connections during mold changes. Their short nipples can be recessed below the surface of the mold for more efficient storage.
- Coupler bodies are brass with silicone interface seals and fluorocarbon valve seals where applicable. Couplers are available in body sizes 1/4" through 1/2" with straight, 45°, or 90° standard and hose barbs.
- Nipple bodies are brass or steel with fluorocarbon valve seals where applicable. Nipples are available in body sizes 1/4" through 1/2" with female pipe thread and male pipe thread as standard end configurations.






EMI's line of quick couplings offer easy cross-compatibility with other brands!

Quick Disconnect Couplings






Note: Use this straight coupler to get dimensions of the 90° & 45°

Non-Valved Straight Through Couplers

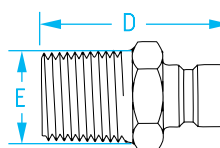
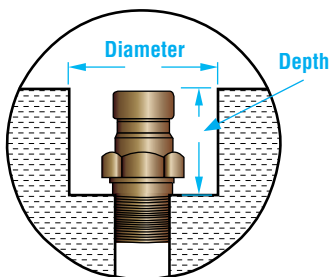
	Quick#	Part#	Price	For hose I.D.	Flow Channel ID of Coupler	Dimensions		
						A	B	C (OAL)
Straight Coupler: 	W252	204JC	\$ HERE	1/4"	1/4"	1.2"	0.67"	2.25"
	W253	205JC	\$ HERE	5/16"	1/4"	1.2"	0.67"	2.09"
	W254	206JC	\$ HERE	3/8"	1/4"	1.2"	0.67"	2.25"
	W270	306JC	\$ HERE	3/8"	3/8"	1.6"	0.91"	2.68"
	W271	308JC	\$ HERE	1/2"	3/8"	1.61"	0.88"	2.82"
	W336	504JC	\$ HERE	1/2"	1/2"	2.25"	1.18"	3.42"
	W339	506JC	\$ HERE	3/4"	1/2"	2.22"	1.18"	3.85"
90° Coupler: 	W264	214JC	\$ HERE	1/4"	1/4"	1.2"	0.67"	2.25"
	W265	215JC	\$ HERE	5/16"	1/4"	1.2"	0.67"	2.09"
	W266	216JC	\$ HERE	3/8"	1/4"	1.2"	0.67"	2.25"
	W278	316JC	\$ HERE	3/8"	3/8"	1.6"	0.91"	2.68"
	W279	318JC	\$ HERE	1/2"	3/8"	1.61"	0.88"	2.82"
45° Coupler: 	W258	224JC	\$ HERE	1/4"	1/4"	1.2"	0.67"	2.25"
	W259	225JC	\$ HERE	5/16"	1/4"	1.2"	0.67"	2.09"
	W260	226JC	\$ HERE	3/8"	1/4"	1.2"	0.67"	2.25"
	W274	326JC	\$ HERE	3/8"	3/8"	1.6"	0.91"	2.68"
	W275	328JC	\$ HERE	1/2"	3/8"	1.61"	0.88"	2.82"

Valved Straight Through Couplers (automatic shut-off when line is disconnected)

	Quick#	Part#	Price	For hose I.D.	Flow Channel ID of Coupler	Dimensions		
						A	B	C (OAL)
Straight Coupler: 	W249	204V	\$ HERE	1/4"	1/4"	1.2"	0.67"	2.25"
	W250	205V	\$ HERE	5/16"	1/4"	1.2"	0.67"	2.09"
	W251	206V	\$ HERE	3/8"	1/4"	1.2"	0.67"	2.25"
	W268	306V	\$ HERE	3/8"	3/8"	1.6"	0.91"	2.68"
	W269	308V	\$ HERE	1/2"	3/8"	1.61"	0.88"	2.82"
	W337	504V	\$ HERE	1/2"	1/2"	2.25"	1.18"	3.42"
	W340	506V	\$ HERE	3/4"	1/2"	2.22"	1.18"	3.85"
90° Coupler: 	W261	214V	\$ HERE	1/4"	1/4"	1.2"	0.67"	2.25"
	W262	215V	\$ HERE	5/16"	1/4"	1.2"	0.67"	2.09"
	W263	216V	\$ HERE	3/8"	1/4"	1.2"	0.67"	2.25"
	W276	316V	\$ HERE	3/8"	3/8"	1.6"	0.91"	2.68"
	W277	318V	\$ HERE	1/2"	3/8"	1.61"	0.88"	2.82"
45° Coupler: 	W255	224V	\$ HERE	1/4"	1/4"	1.2"	0.67"	2.25"
	W256	225V	\$ HERE	5/16"	1/4"	1.2"	0.67"	2.09"
	W257	226V	\$ HERE	3/8"	1/4"	1.2"	0.67"	2.25"
	W272	326V	\$ HERE	3/8"	3/8"	1.6"	0.91"	2.68"
	W273	328V	\$ HERE	1/2"	3/8"	1.61"	0.88"	2.82"

Note: Contact EMI for replacement seals for couplers.

Fittings & Accessories

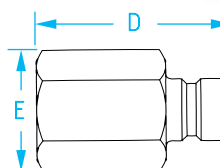


Male Pipe Thread Nipples (Brass)

Use with Body Series	Quick#	Part#	Price	NPT Pipe Thread	Dimensions			Installation Recess	
					D	E	Hex	Dia.	Depth
200	W304	251JC	\$ HERE	1/8" - 27 NPT	1.00"	0.58"	0.5"	0.69"	0.69"
	W306	252JC	\$ HERE	1/4" - 18 NPT	1.20"	0.72"	0.63"	0.84"	0.94"
	W327	253JC	\$ HERE	3/8" - 18 NPT	1.25"	0.87"	0.75"	1.00"	0.94"
300	W308	352JC	\$ HERE	1/4" - 18 NPT	1.38"	0.72"	0.63"	1.00"	1.09"
	W310	353JC	\$ HERE	3/8" - 18 NPT	1.40"	0.87"	0.75"	1.00"	1.13"
	W312	354JC	\$ HERE	1/2" - 14 NPT	1.62"	1.08"	0.94"	1.19"	1.25"
500	W331	554JC	\$ HERE	1/2" - 14 NPT	1.72"	1.08"	0.94"	1.25"	1.50"
	W334	556JC	\$ HERE	3/4" - 14 NPT	1.78"	1.30"	1.13"	1.50"	1.56"

Female Pipe Thread Nipples (Steel)

Use with Body Series	Quick#	Part#	Price	NPT Pipe Thread	Dimensions		
					D	E	Hex
200	W305	251F	\$ HERE	1/8" - 27 NPT	1.00"	0.58"	0.5"
	W307	252F	\$ HERE	1/4" - 18 NPT	1.20"	0.72"	0.63"
	W328	253F	\$ HERE	3/8" - 18 NPT	1.25"	0.87"	0.75"
300	W309	352F	\$ HERE	1/4" - 18 NPT	1.38"	0.72"	0.63"
	W311	353F	\$ HERE	3/8" - 18 NPT	1.40"	0.87"	0.75"
	W330	354F	\$ HERE	1/2" - 14 NPT	1.62"	1.08"	0.94"



Brass Valves & Accessories



Brass Pipe Nipples

Quick#	Part#	Price	Size
W345	CP-1818	\$ HERE	¼" NPT
W350	CP-4378	\$ HERE	⅜" NPT
W281	CP-1545	\$ HERE	½" NPT
W282	CP-1546	\$ HERE	¾" NPT
W283	CP-1547	\$ HERE	1" NPT
W284	CP-1548	\$ HERE	1¼" NPT
W285	CP-1549	\$ HERE	1½" NPT



End Plugs

Quick#	Part#	Price	Size
W297	KA-0250P	\$ HERE	¼" NPT
W298	KA-0375P	\$ HERE	⅜" NPT
W299	KA-0500P	\$ HERE	½" NPT
W300	KA-0750P	\$ HERE	¾" NPT
W301	KA-1000P	\$ HERE	1" NPT
W302	KA-1250P	\$ HERE	1¼" NPT
W303	KA-1500P	\$ HERE	1½" NPT



Brass Ball Valve (Male-Female)

Quick#	Part#	Price	Size
W291	KA-0250V	\$ HERE	¼" NPT
W292	KA-0375V	\$ HERE	⅜" NPT
W293	KA-0500V	\$ HERE	½" NPT
W294	KA-0750V	\$ HERE	¾" NPT
W295	KA-1000V	\$ HERE	1" NPT
W296	KA-1250V	\$ HERE	1¼" NPT
W342	KA-1500V	\$ HERE	1½" NPT



Brass Ball Valve (Female-Female)

Quick#	Part#	Price	Size
W343	K-250V	\$ HERE	¼" NPT
W344	K-375V	\$ HERE	⅜" NPT
W286	K-500V	\$ HERE	½" NPT
W287	K-750V	\$ HERE	¾" NPT
W288	K-100V	\$ HERE	1" NPT
W289	K-125V	\$ HERE	1¼" NPT
W290	K-150V	\$ HERE	1½" NPT

When ordering, use Quick#s to ensure order accuracy.

Machine and Mold Supplies Overview

Clean Air Bags

Page 169



- Protect your plant, people & parts
- Prevents oil vapor from escaping into the air
- Made from heavy-duty PVC-coated fabric
- Select from our standard sizes or custom order to fit your machine

Triple R Oil Filtration

Page 168



- A continuous oil purification system that installs easily
- Maintains oil quality better than new oil
- Extends the life of your machines, and keeps them running without shutdown for oil changes

Manual Gate Cutters

Page 196



- Available in the strongest bronze alloy, and high-chromium, high-carbon alloy tool steel
- Economy Gate Cutters at a low cost are drop forged from high-quality tool steel

Drawer Magnets

Page 170



- Standard, in-stock sizes: 4x4, 6x6, 8x8
- Quality magnets stop tramp metal
- Available in painted & stainless steel
- Available with standard or rare earth magnets
- Additional hopper & side gate available

Low-Profile Drawer Magnets

Page 174



- Low-profile drawer magnets are ideal when overhead space is limited
- Optional liquid dispensing port and rear discharge dump tube
- Made custom to your specifications

Sealed Drawer Magnets

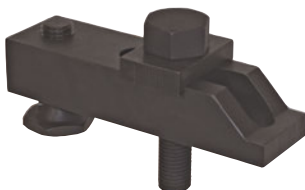
Page 178



- Sealed drawer magnets protect equipment filled by direct feed loaders
- Made custom to your specifications

Mold Clamps

Page 182



- Available in sizes 4"-12"
- Open or closed end, socket or oversize hex bolt
- Made from hardened steel
- Last longer & less expensive than case-hardened clamps

Metric Mold Clamp Bolts

Page 193



- Socket and Hex head screws available
- Many sizes to choose from

Mold Side Shields

Page 194

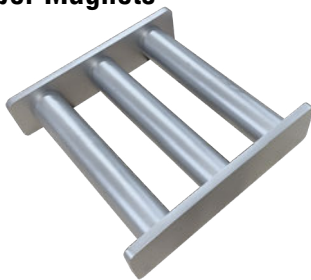


- Prevent parts from dispersing
- Comes standard with semi-transparent, PA-nylon screens, but high temperature also available
- Available in 12 sizes

Shop Online Discontinued Items

Click the boxes below to shop online discontinued products!
Discontinued and Clearance items are covered by EMI's Limited Warranty.

Hopper Magnets



- 1" diameter, stainless steel magnetic tubes available in square or round shape
- Easily mounted on your molding machine or in the granulator's catch bin
- Keeps ferrous metal scraps from entering injection barrel & damaging parts

EMI Mold Release Sprays



- Formulated to provide high levels of user and environmental safety
- Contains no Class 1 ozone depleting substances

ZIP Sprays & Zip Slip



- Improves molding efficiency in many diverse applications
- Formulated to provide high levels of user and environmental safety
- Contains no Class 1 ozone depleting substances

EMI Purging Compound



- EMI Purging Compound is a ready-to-use, pre-mixed compound that can be used for any process including injection molding, blow molding, and extrusion and on any resin between 360°F and 600°F. It is also non-toxic and FDA approved for food contact and pharmaceutical use.

Lifting Eye Bolts and Hoist Rings



- Provide safer and more versatile handling of molds and other loads in your facility versus regular eye bolts.
- 360° rotation - enable loading from various lifting angles.

Machine Mounts



- Machine mounts for 4000 - 17500 max load
- Wedgemounts for 400 - 2500 max load

Hot Runner Temperature Control Mainframes



HRTC Control Modules



- Using high-intellect microprocessor technology to provide reliable, precise temperature control

HRTC Accessories



- Cables and connectors needed to get your hot runner temperature control system running quickly and easily.

Oil Purification System

Continuous filtration eliminates oil changes and disposal

This continuous oil purification system installs easily on your injection machine and maintains oil quality better than that of new oil. Oil purification improves performance of hydraulic components, eliminates oil-related downtime of pumps, valves, etc. You keep running without shutdown for oil changes or damaged components while eliminating the costly disposal of used oil.

Extend the life of your machines' closed-loop servo valves by continuously maintaining oil cleanliness within levels recommended by valve manufacturers which typically is 14/11. With EMI's Triple R oil purification system, you will maintain SAE 1, NAS 4 oil between 13/10 to 14/12. Oil additives such as flame retardants and others are not removed. The standard filter also filters small amounts of water to maintain water contamination at levels less than 0.003 by volume which keeps total acid level minimum.



Specifications and Prices

Quick#	0513	0515	0516	0517
Part#	BU-32P	BU-100P	BU-200P	BU-300P
Maximum Flow Rate	0.4 gallon per min.	.8 gallon per min.	1.6 gallon per min.	2.8 gallon per min.
Oil Tank Capacity (typ.)	150 gallons	400 gallons	800 gallons	1200 gallons
Filter Accuracy	NAS grade 5-6			
Max. Pressure	3000 psi	3500 psi		
Complete Package Price	\$1,055.00	\$1,199.00	\$4,199.00	\$4,799.00

Replacement Filters

Quick#	0518	0520
Part#	BU-32E	BU-100E
Price	\$57.00	\$88.00



Buy replacement filters separately.

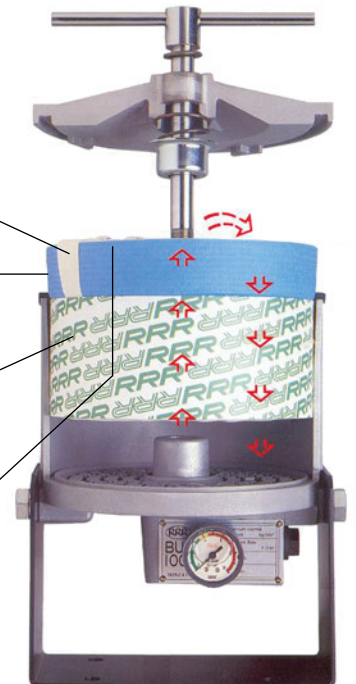
Three-stage pressure-wound element lasts longer and does not clog!

Stage 1: Surface filtration for capturing large contaminants.

Stage 2: Upper filtration for capturing smaller contaminants.

Stage 3: Pressurized lower filtration for removal of sub micron-level contaminants.

Lifting band lifts filter from bottom assuring complete filter removal without breakdown.



Clean Air Bags



Protect your plant, people & parts from oil vapor

Mounted on your hydraulic injection machines' vent stacks, clean air bags expand and contract as the clamp opens and closes "re-using" the same air over and over. This prevents oil vapor from escaping into your plant air environment. Condensed oil vapor drains back into the reservoir.

Clean air bags also protect your hydraulic oil from contamination by prohibiting airborne particulate from getting into your machine through dirty air filters. Clean air bags permanently replace your reservoir air filters and eliminate climbing on top of your machine for filter maintenance.

Made of heavy-duty PVC-coated fabric, clean air bags are double seamed and sealed, assuring long life. A cross-frame support simplifies installation. Quantity discounts are available so you can economically fit clean air bags on every hydraulic machine in your plant.



EMI clean air bags expand and contract as the machine clamp opens and closes, doing their job shot-after-shot, hour-after-hour. You can expect long, reliable life from each bag.

Clean Air Bag

Quick#	Part#	Diameter	Height	Capacity	Price (each)
0507	5B-2416675	24"	16"	4.187 cu. ft.	\$104.00
0508	5B-2426675	24"	26"	6.083 cu. ft.	\$125.00
0509	5B-3030675	30"	30"	12.266 cu. ft.	\$177.00
0510	5B-3242675	32"	42"	18.607 cu. ft.	\$189.00
0511	5B-3444675	34"	44"	23.107 cu. ft.	\$194.00
0512	5B-3640675	36"	40"	23.550 cu. ft.	\$199.00

Ask about our quantity discounts!

Clean Air Bag Stand

Quick#	Part#	Description	Price (each)
0501	5B-229-16-4	stand for 16" bag ht. x 4" NPT	\$174.69
0502	5B-229-26-4	stand for 26" bag ht. x 4" NPT	\$174.69
0503	5B-229-30-4	stand for 30" bag ht. x 4" NPT	\$174.69
0504	5B-229-42-4	stand for 42" bag ht. x 4" NPT	\$174.69
0505	5B-229-44-4	stand for 44" bag ht. x 4" NPT	\$174.69
0506	5B-229-40-4	stand for 40" bag ht. x 4" NPT	\$174.69

4" NPT shown, other sizes available, call EMI.

Need something custom? Download Order Form here!

Drawer Magnet Overview



Shown above: Drawer magnet with optional Slide Gate and Purge Hopper.

Quality magnets stop tramp metal in its tracks

Positive protection for your equipment and tooling is provided by EMI's heavy-duty drawer magnets. They easily install on your machine throat, protecting valuable equipment, molds and dies. Each model has two rows of 1" diameter, stainless steel, magnetic cartridges, doubling the stopping power and staggered to assure that all material flows around them. EMI's drawer magnets can be provided with undrilled mounting flange and casting, or we'll drill and tap them to your specifications found on our order form.

Optional features:

Slide Shut-off Gate: Allows easy removal of the drawer face after material in the magnet body is emptied to processing. Included in models with a "GA" suffix. **See price charts for more information.**

Liquid Dispensing Port: Allows injection of liquid colorants and can also provide access for temperature probes. **\$23.** Quick# M130

Rear Discharge Dump Tube: Provides fast drain out of materials left in the magnet body after the shut-off gate is closed. **\$36.** Quick# M131

Purge Hopper: Allows injection of purging compounds without having to remove the hopper assembly. Magnets protect anything entering through the purge hopper. **\$81.** Quick# M132

All EMI drawer magnets are available in stainless steel with rare earth cartridges!

A clear plastic drawer face holds the magnets and removes quickly for cleaning and access. Standard models available in 4" x 4", with a total of three cartridges; 6" x 6", with five cartridges; and 8" x 8", with seven cartridges. The sturdy castings can support symmetrical loads up to several thousand pounds. If loads are not symmetrical, units must be independently braced.

Rare earth magnets are strong permanent magnets made from alloys of rare earth elements. They are the strongest type of permanent magnets made and have significant performance advantages over ferrite or alnico magnets due to outstanding surface holding power. To avoid magnetically charging the housing, cartridges containing rare earth magnets are only available using our stainless steel housings. Select model 'DMSR' to begin removing even the smallest ferrous particles!

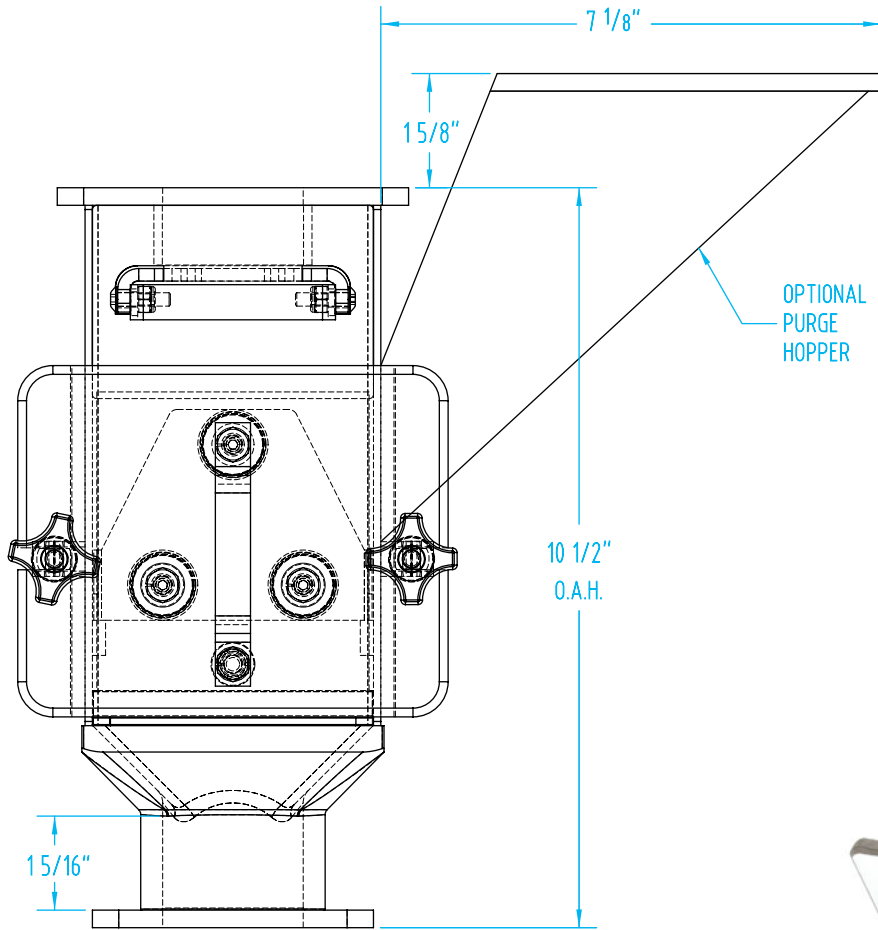
Powder Coated Steel Housing - In Stock

Quick#	Part#	Top Opening	Bottom Opening	Quantity Pricing (each)		
				1	2-5	6-10
M101	DM-4GA-STK	2"	2"	\$499	\$474	\$449
M102	DM-6GA-STK	3"	3"	\$612	\$581	\$550
M103	DM-84GA-STK	4"	4"	\$764	\$726	\$688
M104	DM-86GA-STK	6"	4"	\$764	\$726	\$688

Note: Stocked units are undrilled.

Drawer Magnets

4" x 4" Series



M101, In-Stock Standard Shown here

All models with "GA" suffix indicate slide gate

Powder Coated Steel Housings

Item#	Flange		Top Opening		Bottom Opening		Price
	Top	Bottom	Min.	Max.	Min.	Max.	
DM-4	5" x 5"	4" x 4"	7/8"	2"	7/8"	2"	\$452
DM-4GA							\$499

Stainless Steel Housings

Item#	Flange		Top Opening		Bottom Opening		Price
	Top	Bottom	Min.	Max.	Min.	Max.	
DMS-4	5" x 5"	4" x 4"	7/8"	2"	7/8"	2"	\$714
DMS-4GA							\$777

Stainless Steel Housings with Rare Earth Cartridges

Item#	Description	Price
DMSR-4	4" x 4" Stainless Steel Drawer Magnet, Rare Earth	\$1,073
DMSR-4GA	4" x 4" Stainless Steel Drawer Magnet, Rare Earth with Gate	\$1,166

See page 170 for other optional features available for the DM-4 Series Drawer Magnets

All item numbers listed for custom, non-stock units are for ordering purpose only. Upon confirmation of specs a specific part number to manufacture your unit(s) will be created.

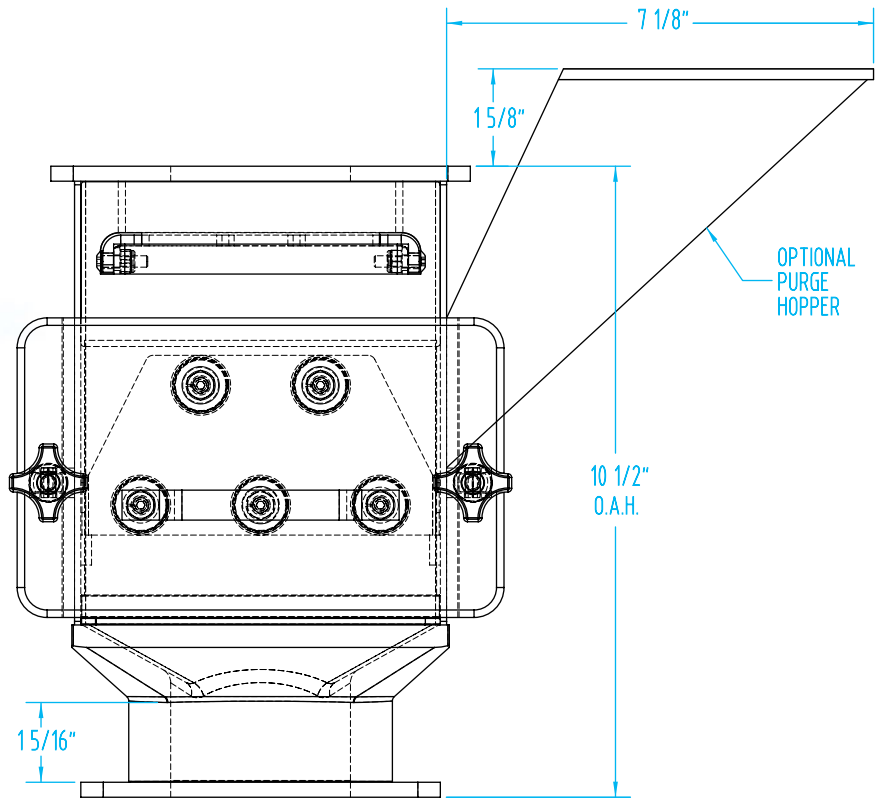
[Download Order Form here!](#)

Drawer Magnets

6" x 6" Series



M102, In-Stock Standard Shown here



All models with "GA" suffix indicate slide gate

Powder Coated Steel Housings

Item#	Flange		Top Opening		Bottom Opening		Price
	Top	Bottom	Min.	Max.	Min.	Max.	
DM-6	7" x 7"	6" x 6"	1 7/8"	4 1/2"	1 7/8"	3 7/8"	\$550
DM-6GA							\$612

Stainless Steel Housings

Item#	Flange		Top Opening		Bottom Opening		Price
	Top	Bottom	Min.	Max.	Min.	Max.	
DMS-6	7" x 7"	6" x 6"	1 7/8"	4 1/2"	1 7/8"	3 7/8"	\$749
DMS-6GA							\$842

Stainless Steel Housings with Rare Earth Cartridges

Item#	Description	Price
DMSR-6	6" x 6" Stainless Steel Drawer Magnet, Rare Earth	\$1,195
DMSR-6GA	6" x 6" Stainless Steel Drawer Magnet, Rare Earth with Gate	\$1,295

See page 170 for other optional features available for the DM-6 Series Drawer Magnets

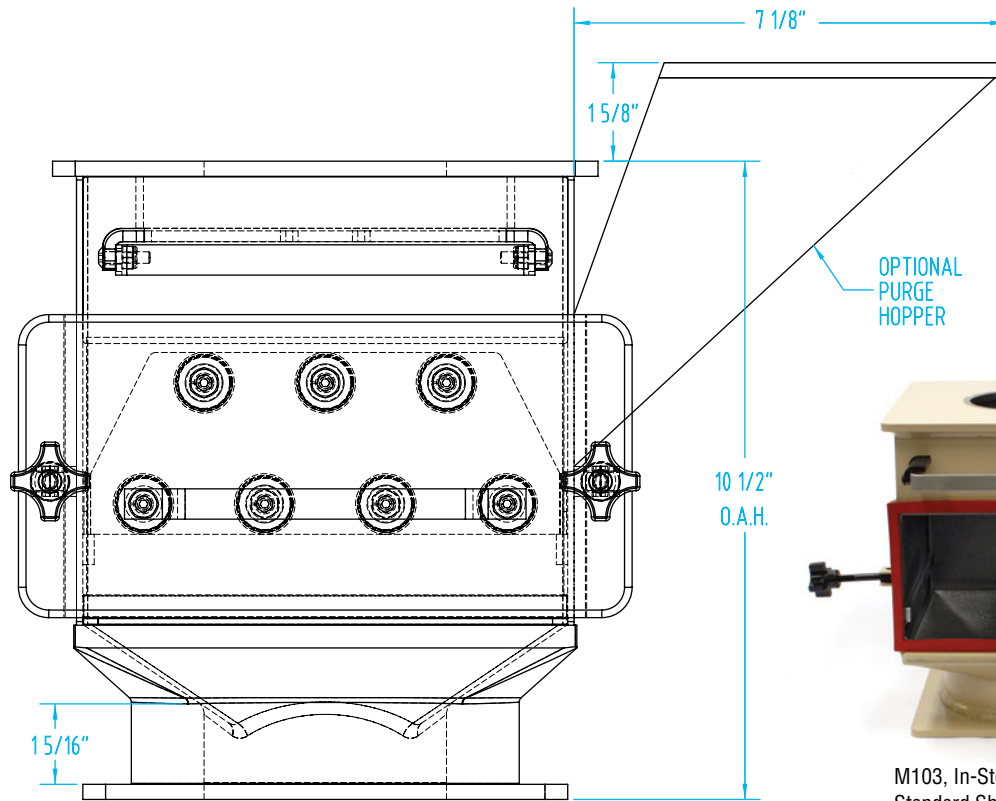
All item numbers listed for custom, non-stock units are for ordering purpose only.

Upon confirmation of specs a specific part number to manufacture your unit(s) will be created.

Download Order Form here!

Drawer Magnets

8" x 8" Series



All models with "GA" suffix indicate slide gate

Powder Coated Steel Housings

Item#	Flange		Top Opening		Bottom Opening		Price
	Top	Bottom	Min.	Max.	Min.	Max.	
DM-8	9" x 9"	8" x 8"	4"	6"	4"	6"	\$688
DM-8GA							\$764

Stainless Steel Housings

Item#	Flange		Top Opening		Bottom Opening		Price
	Top	Bottom	Min.	Max.	Min.	Max.	
DMS-8	9" x 9"	8" x 8"	4"	6"	4"	6"	\$881
DMS-8GA							\$996

Stainless Steel Housings with Rare Earth Cartridges

Item#	Description	Price
DMSR-8	8" x 8" Stainless Steel Drawer Magnet, Rare Earth	\$1,429
DMSR-8GA	8" x 8" Stainless Steel Drawer Magnet, Rare Earth with Gate	\$1,556

See page 170 for other optional features available for the DM-8 Series Drawer Magnets

All item numbers listed for custom, non-stock units are for ordering purpose only. Upon confirmation of specs a specific part number to manufacture your unit(s) will be created.

Download Order Form here!

Low-Profile Drawer Magnets

Ideal for installations where overhead space is limited and for smaller machines

These compact units have an overall height of only 5½", so they'll fit just about anywhere. A single row of 1" diameter magnetic cartridges, mounted to a clear plastic drawer front, traps ferrous metal and protects your molds and machines. Available in three sizes to accommodate your machines' feed openings.



Download Order Form here!

Powder Coated Steel Housings

Item#	Flange		Top Opening		Bottom Opening		Price
	Top	Bottom	Min.	Max.	Min.	Max.	
LP-DM-4	5" x 5"	4" x 4"	7/8"	2"	7/8"	2"	\$335

Stainless Steel Housings

LP-DM-4SS	5" x 5"	4" x 4"	7/8"	2"	7/8"	2"	\$400
-----------	---------	---------	------	----	------	----	-------

Stainless Steel Housings with Rare Earth Magnets

LP-DMR-4SS	4" x 4" Stainless Steel Drawer Magnet, Rare Earth						\$512
------------	---	--	--	--	--	--	-------

All item numbers listed for custom, non-stock units are for ordering purpose only. Upon confirmation of specs a specific part number to manufacture your unit(s) will be created.

Optional features:

Liquid Dispensing Port: Allows injection of liquid colorants and can also provide access for temperature probes. **\$23.**

Quick# M130

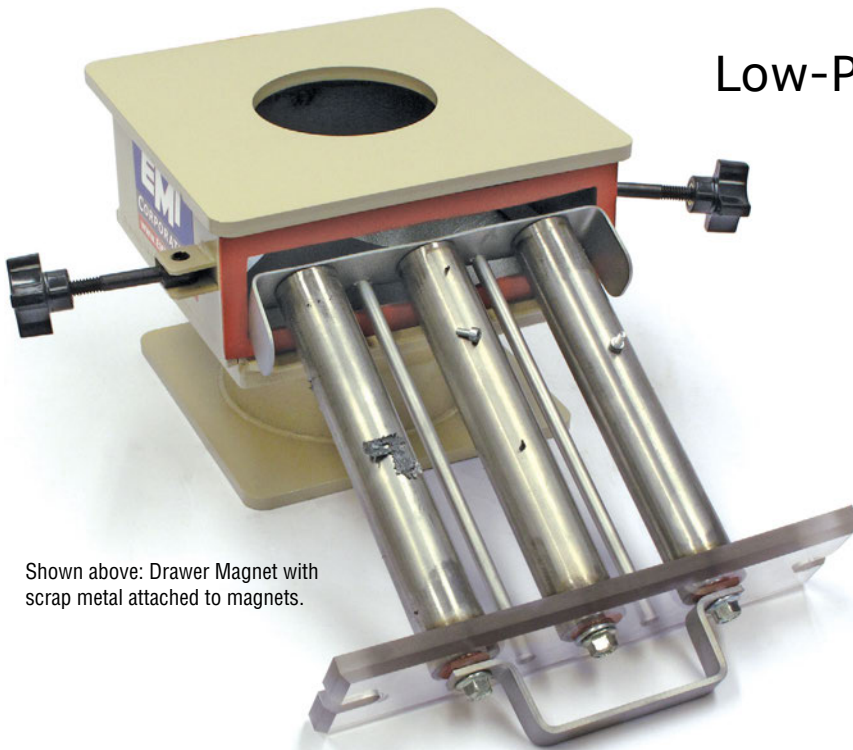
Rear Discharge Dump Tube: Provides fast drain of materials left in the magnet body after the shut-off gate is closed. **\$36.**

Quick# M131

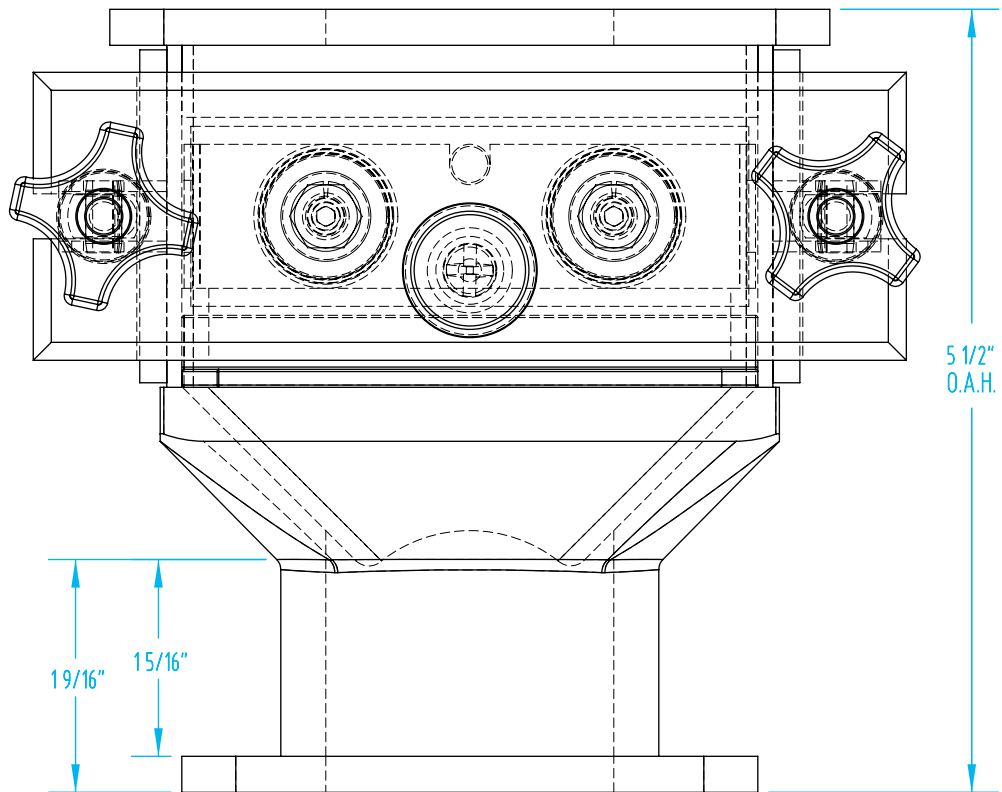


Low-Profile Drawer Magnets

Low Profile 4" x 4" Series

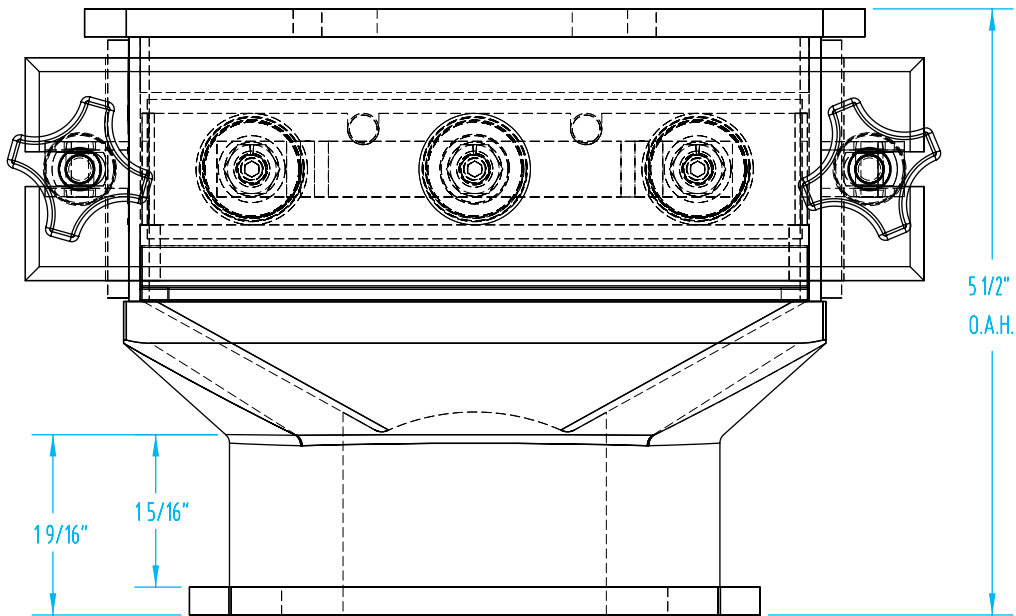
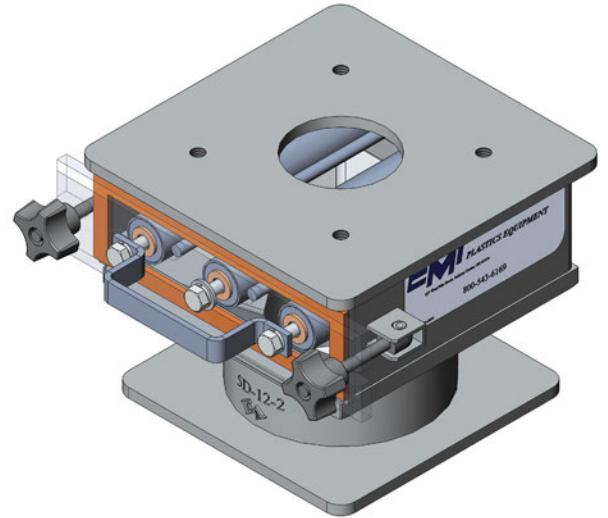


Shown above: Drawer Magnet with scrap metal attached to magnets.



Low-Profile Drawer Magnets

Low Profile 6" x 6" Series



Powder Coated Steel Housings

Item#	Flange		Top Opening		Bottom Opening		Price
	Top	Bottom	Min.	Max.	Min.	Max.	
LP-DM-6	7" x 7"	6" x 6"	1 7/8"	4 1/2"	1 7/8"	3 7/8"	\$377

Stainless Steel Housings

LP-DM-6SS	7" x 7"	6" x 6"	1 7/8"	4 1/2"	1 7/8"	3 7/8"	\$498
-----------	---------	---------	--------	--------	--------	--------	-------

Stainless Steel Housings with Rare Earth Magnets

LP-DMR-6SS	6" x 6" Stainless Steel Drawer Magnet, Rare Earth						\$666
------------	---	--	--	--	--	--	-------

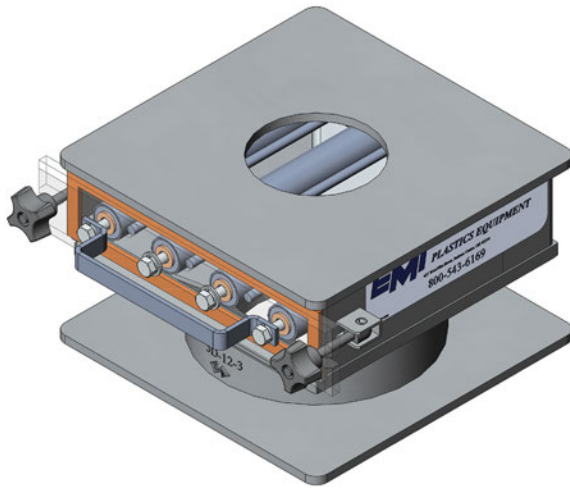
All item numbers listed for custom, non-stock units are for ordering purpose only. Upon confirmation of specs a specific part number to manufacture your unit(s) will be created.

Optional features:

Liquid Dispensing Port: Allows injection of liquid colorants and can also provide access for temperature probes. **\$23.** Quick# M130

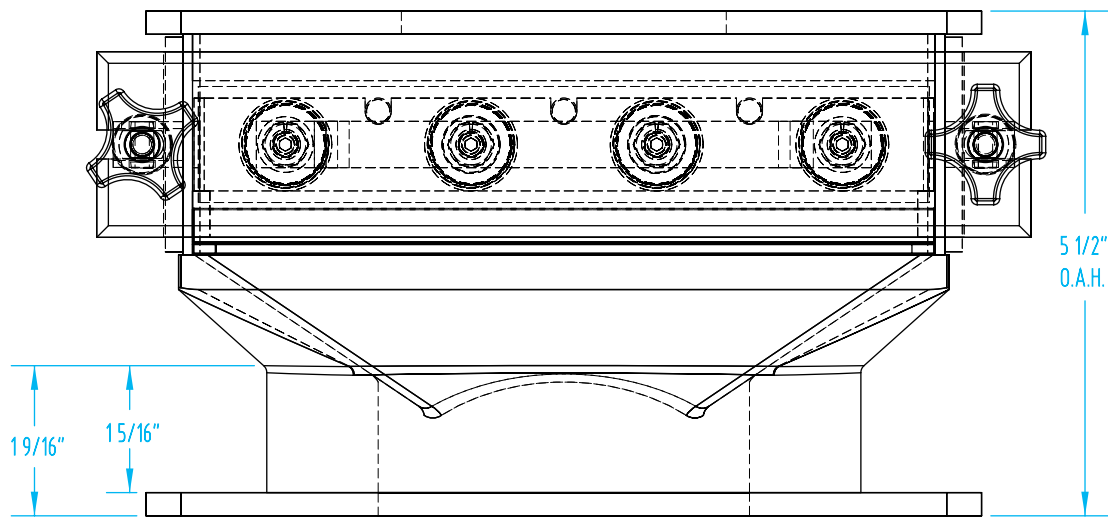
Rear Discharge Dump Tube: Provides fast drain of materials left in the magnet body after the shut-off gate is closed. **\$36.** Quick# M131

Download Order Form here!



Low-Profile Drawer Magnets

Low Profile 8" x 8" Series



Powder Coated Steel Housings

Item#	Flange		Top Opening		Bottom Opening		Price
	Top	Bottom	Min.	Max.	Min.	Max.	
LP-DM-8	9" x 9"	8" x 8"	4"	6"	4"	6"	\$471

Stainless Steel Housings

LP-DM-8SS	9" x 9"	8" x 8"	4"	6"	4"	6"	\$697
-----------	---------	---------	----	----	----	----	-------

Stainless Steel Housings with Rare Earth Magnets

LP-DMR-8SS	8" x 8" Stainless Steel Drawer Magnet, Rare Earth						\$1,039
------------	---	--	--	--	--	--	---------

All item numbers listed for custom, non-stock units are for ordering purpose only. Upon confirmation of specs a specific part number to manufacture your unit(s) will be created.

Optional features:

Liquid Dispensing Port: Allows injection of liquid colorants and can also provide access for temperature probes. **\$23.** Quick# M130

Rear Discharge Dump Tube: Provides fast drain of materials left in the magnet body after the shut-off gate is closed. **\$36.** Quick# M131

Download Order Form here!

Sealed Drawer Magnets

Protect equipment filled by direct feed loaders

If you're loading machines with direct-to-the-throat hopper loaders, then you need EMI sealed drawer magnets to get protection from tramp ferrous metals, without leaking air or affecting loader performance. These units are also ideal for mounting under drying hoppers or when dry air is used for conveying materials because they won't allow ambient air and moisture to reach your materials.

Silicone seals prevent air leaks and stand up to high operating temperatures. Four clamps assure tight fit. Two rows of 1" diameter, stainless steel magnetic cartridges mounted on a clear plastic drawer front which removes easily for cleaning. 4" x 4" model has three cartridges; 6" x 6" model has five cartridges and 8" x 8" has seven cartridges. Call for custom sizes and ask about our quantity discount pricing.

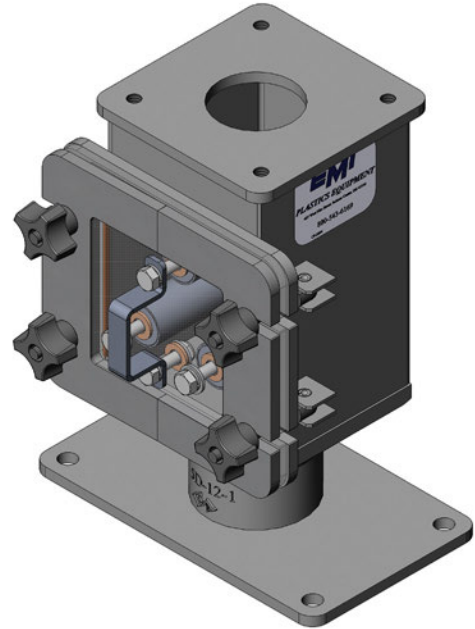
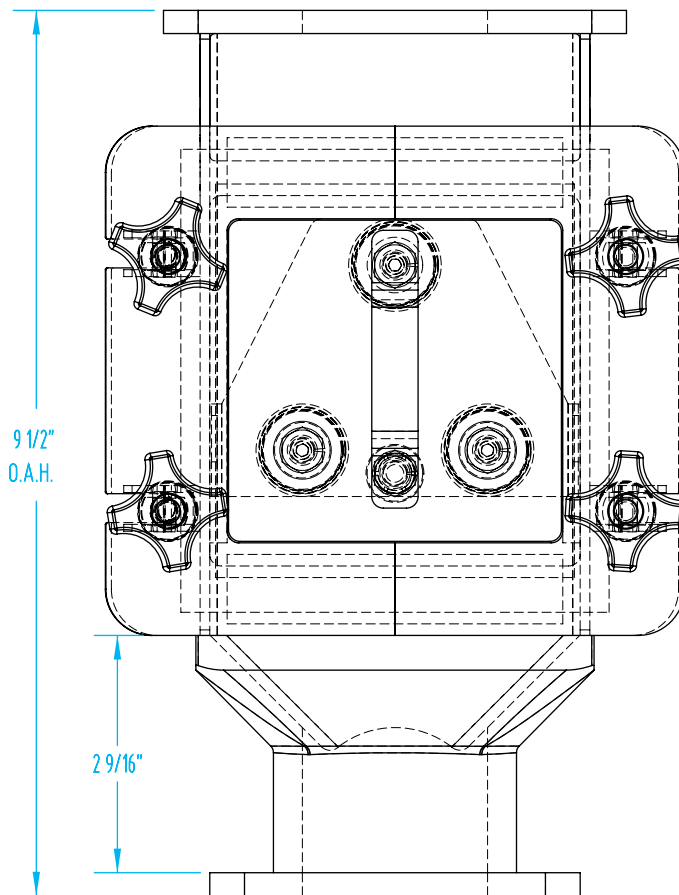


EMI Sealed Drawer Magnets protect your materials from ambient air and keep your machine throat sealed for direct-feed loading. We'll drill and tap your magnet to fit to your specifications.

[Download Order Form here!](#)

Sealed Drawer Magnets

Sealed 4" x 4" Series



Powder Coated Steel Housings

Item#	Flange		Top Opening		Bottom Opening		Price
	Top	Bottom	Min.	Max.	Min.	Max.	
SDM-4	5" x 5"	4" x 4"	7/8"	2"	7/8"	2"	\$621

Stainless Steel Housings

SDM-4SS	5" x 5"	4" x 4"	7/8"	2"	7/8"	2"	\$727
---------	---------	---------	------	----	------	----	-------

Stainless Steel Housings with Rare Earth Magnets

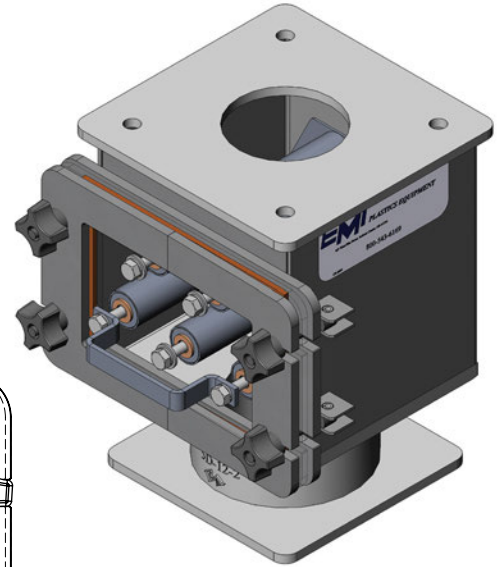
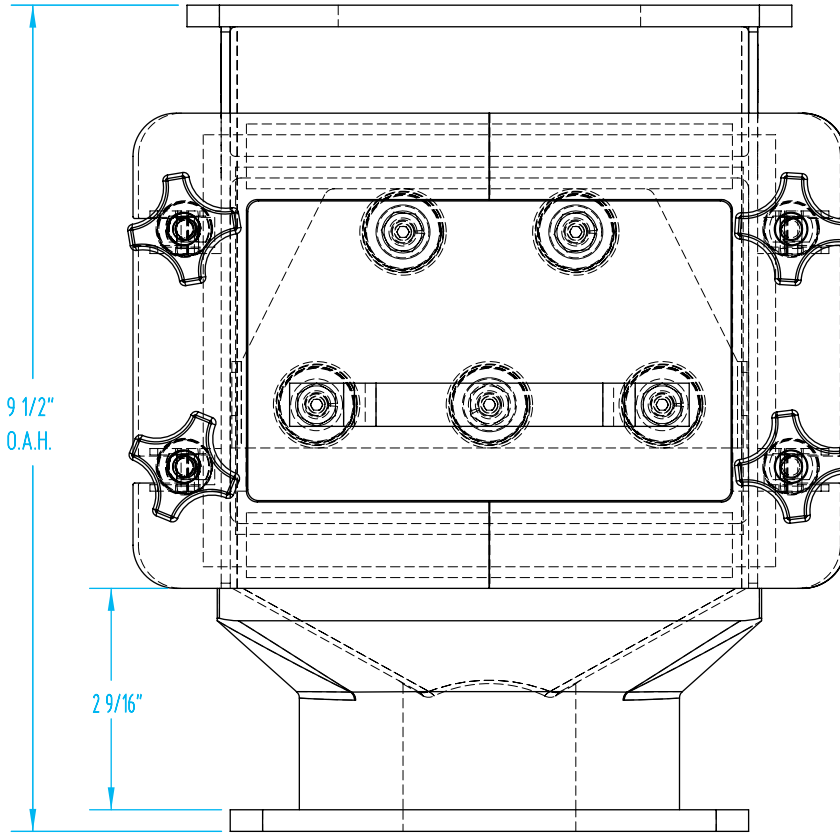
SDMR-4SS	4" x 4" Stainless Steel Drawer Magnet, Rare Earth						\$933
----------	---	--	--	--	--	--	-------

[Download Order Form here!](#)

All item numbers listed for custom, non-stock units are for ordering purpose only. Upon confirmation of specs a specific part number to manufacture your unit(s) will be created.

Sealed Drawer Magnets

Sealed 6" x 6" Series



Powder Coated Steel Housings

Item#	Flange		Top Opening		Bottom Opening		Price
	Top	Bottom	Min.	Max.	Min.	Max.	
SDM-6	7" x 7"	6" x 6"	1 7/8"	4 1/2"	1 7/8"	3 7/8"	\$718

Stainless Steel Housings

SDM-6SS	7" x 7"	6" x 6"	1 7/8"	4 1/2"	1 7/8"	3 7/8"	\$896
---------	---------	---------	--------	--------	--------	--------	-------

Stainless Steel Housings with Rare Earth Magnets

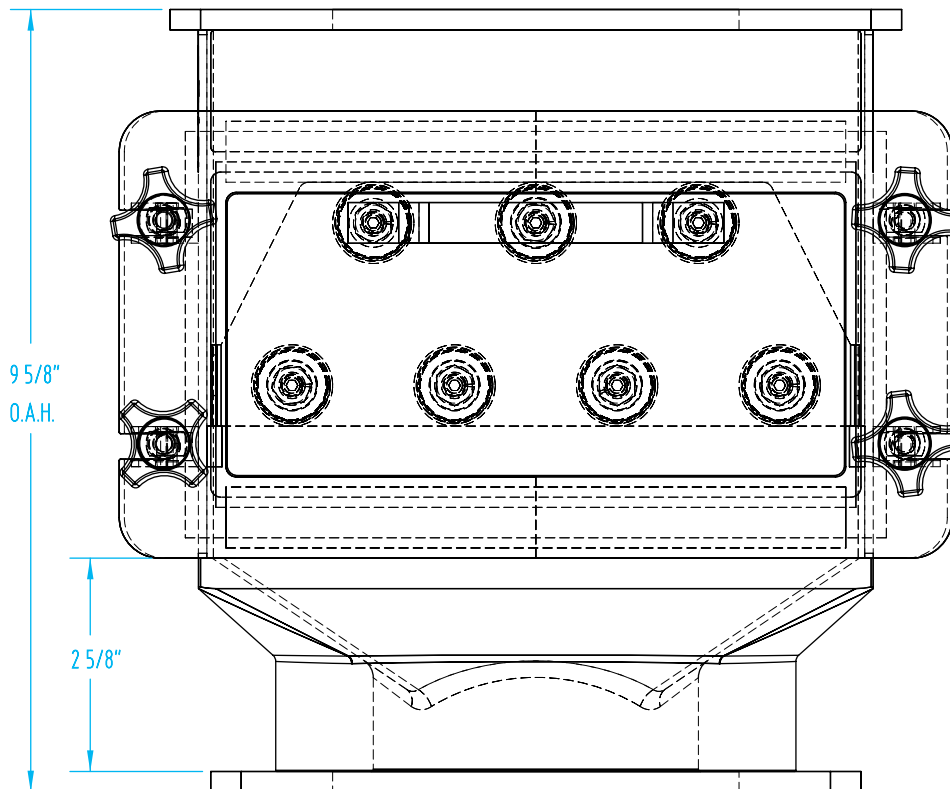
SDMR-6SS	6" x 6" Stainless Steel Drawer Magnet, Rare Earth						\$1,216
----------	---	--	--	--	--	--	---------

Download Order Form here!

All item numbers listed for custom, non-stock units are for ordering purpose only. Upon confirmation of specs a specific part number to manufacture your unit(s) will be created.

Sealed Drawer Magnets

Sealed 8" x 8" Series



Powder Coated Steel Housings

Item#	Flange		Top Opening		Bottom Opening		Price
	Top	Bottom	Min.	Max.	Min.	Max.	
SDM-8	9" x 9"	8" x 8"	4"	6"	4"	6"	\$855

Stainless Steel Housings

SDM-8SS	9" x 9"	8" x 8"	4"	6"	4"	6"	\$1,167
---------	---------	---------	----	----	----	----	---------

Stainless Steel Housings with Rare Earth Magnets

SDMR-8SS	8" x 8" Stainless Steel Drawer Magnet, Rare Earth						\$1,791
----------	---	--	--	--	--	--	---------

Download Order Form here!

All item numbers listed for custom, non-stock units are for ordering purpose only. Upon confirmation of specs a specific part number to manufacture your unit(s) will be created.

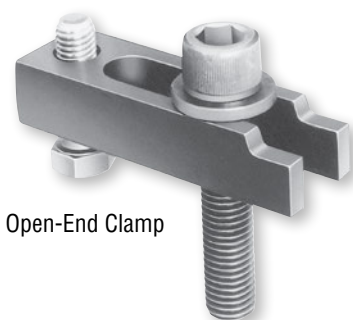
4" Mold Clamps

Through-hardened steel, open or closed end, socket or oversize hex bolt

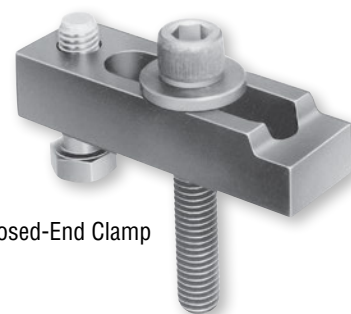
EMI's through-hardened steel clamps last longer than less expensive case-hardened clamps. These are easy to install and are adjustable, so that no spacers are required. The washers are extra-large and hardened. Metric thread bolts are available as an option.

4" Machined Mold Clamps: Socket Head Bolt Style

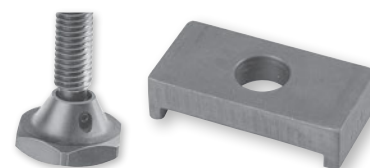
	Description	Quick#	Part#	Price	
	3/4" -10 Platen Holes			(1-15)	(16+)
Total Price	Complete Clamp Assembly	M401	87C434S	\$22.80	\$22.11
	4" Open-End Clamp Only	M402	87C4	\$17.12	\$15.89
	Oversize Washer	M403	8734W	\$1.48	\$1.48
	Socket Head Bolt 3/4"-10 x 3 1/2"	M404	8734H	\$3.47	\$3.47
	Leveling Bolt 5/8"-11 x 2"	M405	87AB	\$1.12	\$1.12
	5/8" -11 Platen Holes			(1-15)	(16+)
Total Price	Complete Clamp Assembly	M406	87C458S	\$21.61	\$20.96
	4" Open-End Clamp Only	M402	87C4	\$17.12	\$15.89
	Oversize Washer	M407	8758W	\$1.48	\$1.48
	Socket Head Bolt 5/8"-11 x 3 1/2"	M408	8758H	\$2.33	\$2.33
	Leveling Bolt 5/8"-11 x 2"	M405	87AB	\$1.12	\$1.12
	3/4" -10 Platen Holes			(1-15)	(16+)
Total Price	Complete Clamp Assembly	M409	87C4C34S	\$22.80	\$22.11
	4" Closed-End Clamp Only	M410	87C4C	\$17.12	\$15.89
	Oversize Washer	M403	8734W	\$1.48	\$1.48
	Socket Head Bolt 3/4"-10 x 3 1/2"	M404	8734H	\$3.47	\$3.47
	Leveling Bolt 5/8"-11 x 2"	M405	87AB	\$1.12	\$1.12
	5/8" -11 Platen Holes			(1-15)	(16+)
Total Price	Complete Clamp Assembly	M411	87C4C58S	\$21.61	\$20.96
	4" Closed-End Clamp Only	M410	87C4C	\$17.12	\$15.89
	Oversize Washer	M407	8758W	\$1.48	\$1.48
	Socket Head Bolt 5/8"-11 x 3 1/2"	M408	8758H	\$2.33	\$2.33
	Leveling Bolt 5/8"-11 x 2"	M405	87AB	\$1.12	\$1.12
	Options			(1-15)	(16+)
	Anti-Slip Washer for 5/8"-11	M419	8758RW05	\$8.89	\$8.89
	Anti-Slip Washer for 3/4"-10	M420	8734RW05	\$8.89	\$8.89
	Swivel-Style Leveling Bolt	M414	8758SB	\$18.30	\$18.30
	4 1/2" Long Platen Bolts SHCS	M421	87-60	\$4.54	\$4.54
Metric Thread Platen Bolt – See page 193					



Open-End Clamp



Closed-End Clamp

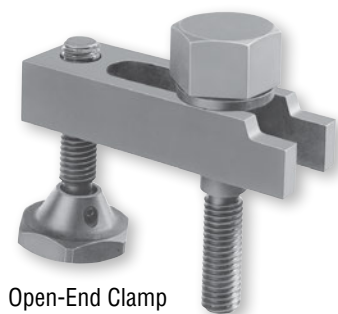


Options

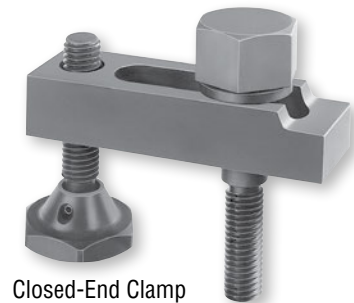
When ordering, use Quick#s to ensure order accuracy.

4" Machined Mold Clamps: Oversize Hex Head Bolt Style

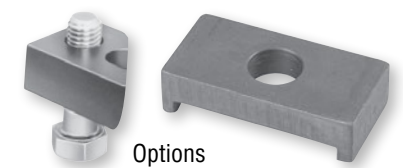
4" Mold Clamps



Open-End Clamp

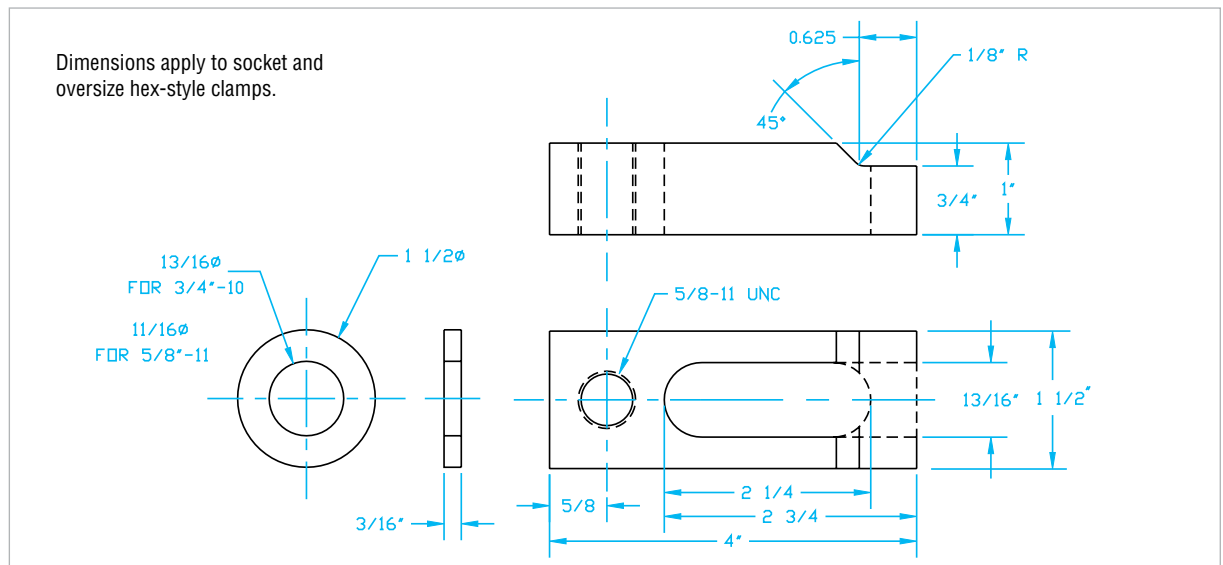


Closed-End Clamp



Options

	Description	Quick#	Part#	Price	
	3/4" -10 Platen Holes			(1-15)	(16+)
Total Price	Complete Clamp Assembly	M412	87C434SOS	\$47.07	\$45.65
	4" Open-End Clamp Only	M402	87C4	\$17.12	\$15.89
	Oversize Washer	M403	8734W	\$1.48	\$1.48
	Oversize Hex Bolt 3/4"-10 x 3 1/2"	M413	8734OS	\$10.15	\$10.15
	Swivel Bolt 5/8"-11 x 3 1/4"	M414	8758SB	\$18.30	\$18.30
	5/8" -11 Platen Holes			(1-15)	(16+)
Total Price	Complete Clamp Assembly	M415	87C458SOS	\$45.72	\$44.34
	4" Open-End Clamp Only	M402	87C4	\$17.12	\$15.89
	Oversize Washer	M403	8734W	\$1.48	\$1.48
	Oversize Hex Bolt 5/8"-11 x 3 1/2"	M416	8758OS	\$8.81	\$8.81
	Swivel Bolt 5/8"-11 x 3 1/4"	M414	8758SB	\$18.30	\$18.30
	3/4" -10 Platen Holes			(1-15)	(16+)
Total Price	Complete Clamp Assembly	M417	87C4C34SOS	\$47.07	\$45.65
	4" Closed-End Clamp Only	M410	87C4C	\$17.12	\$15.89
	Oversize Washer	M403	8734W	\$1.48	\$1.48
	Oversize Hex Bolt 3/4"-10 x 3 1/2"	M413	8734OS	\$10.15	\$10.15
	Swivel Bolt 5/8"-11 x 3 1/4"	M414	8758SB	\$18.30	\$18.30
	5/8" -11 Platen Holes			(1-15)	(16+)
Total Price	Complete Clamp Assembly	M418	87C4C58SOS	\$45.72	\$44.34
	4" Closed-End Clamp Only	M410	87C4C	\$17.12	\$15.89
	Oversize Washer	M403	8734W	\$1.48	\$1.48
	Oversize Hex Bolt 5/8"-11 x 3 1/2"	M416	8758OS	\$8.81	\$8.81
	Swivel Bolt 5/8"-11 x 3 1/4"	M414	8758SB	\$18.30	\$18.30
	Options			(1-15)	(16+)
	Anti-Slip Washer for 5/8"-11	M419	8758RW05	\$8.89	\$8.89
	Anti-Slip Washer for 3/4"-10	M420	8734RW05	\$8.89	\$8.89
	Non-Swivel Leveling Bolt	M405	87AB	\$1.12	\$1.12
	4 1/2" Long Platen Bolts OSH	M422	87-101	\$13.69	\$13.69
Metric Thread Platen Bolt – See page 193					



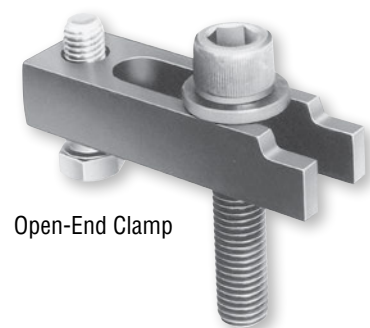
5" Mold Clamps

Through-hardened steel, open or closed end, socket or oversize hex bolt

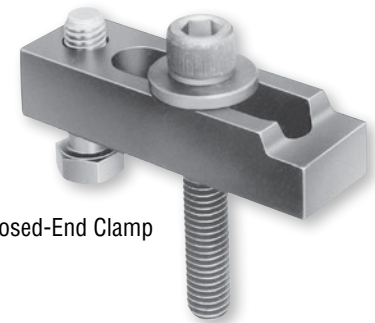
EMI's through-hardened steel clamps last longer than less expensive case-hardened clamps. These are easy to install and are adjustable, so that no spacers are required. The washers are extra-large and hardened. Metric thread bolts are available as an option.

5" Machined Mold Clamps: Socket Head Bolt Style

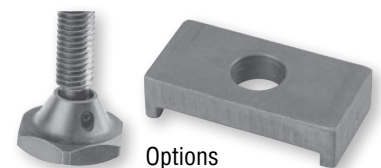
	Description	Quick#	Part#	Price	
	¾" -10 Platen Holes			(1-15)	(16+)
Total Price	Complete Clamp Assembly	M423	87C534S	\$24.15	\$23.42
	5" Open-End Clamp Only	M424	87C5	\$18.47	\$17.23
	Oversize Washer	M403	8734W	\$1.48	\$1.48
	Socket Head Bolt ¾"-10 x 3½"	M404	8734H	\$3.47	\$3.47
	Leveling Bolt ⅝"-11 x 2"	M405	87AB	\$1.12	\$1.12
	⅝" -11 Platen Holes			(1-15)	(16+)
Total Price	Complete Clamp Assembly	M425	87C558S	\$22.96	\$22.27
	5" Open-End Clamp Only	M424	87C5	\$18.47	\$17.23
	Oversize Washer	M407	8758W	\$1.48	\$1.48
	Socket Head Bolt ⅝"-11 x 3½"	M408	8758H	\$2.33	\$2.33
	Leveling Bolt ⅝"-11 x 2"	M405	87AB	\$1.12	\$1.12
	¾" -10 Platen Holes			(1-15)	(16+)
Total Price	Complete Clamp Assembly	M426	87C5C34S	\$24.15	\$23.42
	5" Closed-End Clamp Only	M427	87C5C	\$18.47	\$18.47
	Oversize Washer	M403	8734W	\$1.48	\$1.48
	Socket Head Bolt ¾"-10 x 3½"	M404	8734H	\$3.47	\$3.47
	Leveling Bolt ⅝"-11 x 2"	M405	87AB	\$1.12	\$1.12
	⅝" -11 Platen Holes			(1-15)	(16+)
Total Price	Complete Clamp Assembly	M468	87C5C58S	\$22.96	\$22.27
	5" Closed-End Clamp Only	M427	87C5C	\$18.47	\$18.47
	Oversize Washer	M407	8758W	\$1.48	\$1.48
	Socket Head Bolt ⅝"-11 x 3½"	M408	8758H	\$2.33	\$2.33
	Leveling Bolt ⅝"-11 x 2"	M405	87AB	\$1.12	\$1.12
	Options			(1-15)	(16+)
	Anti-Slip Washer for ⅝"-11	M419	8758RW05	\$8.89	\$8.89
	Anti-Slip Washer for ¾"-10	M420	8734RW05	\$8.89	\$8.89
	Swivel-Style Leveling Bolt	M414	8758SB	\$18.30	\$18.30
	4½" Long Platen Bolts SHCH	M421	87-60	\$4.54	\$4.54
Metric Thread Platen Bolt – See page 193					



Open-End Clamp



Closed-End Clamp



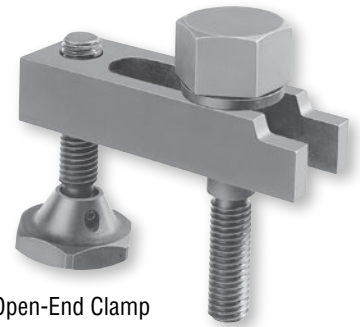
Options

When ordering, use Quick#s to ensure order accuracy.

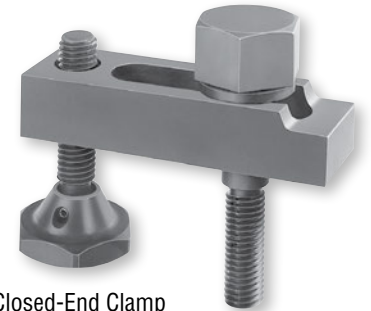
5" Mold Clamps

5" Machined Mold Clamps: Oversize Hex Head Bolt Style

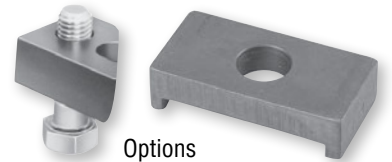
	Description	Quick#	Part#	Price	
	3/4" -10 Platen Holes			(1-15)	(16+)
Total Price	Complete Clamp Assembly	M428	87C534SOS	\$48.41	\$46.95
	5" Open-End Clamp Only	M424	87C5	\$18.47	\$17.23
	Oversize Washer	M403	8734W	\$1.48	\$1.48
	Oversize Hex Bolt 3/4"-10 x 3 1/2"	M413	8734OS	\$10.15	\$10.15
	Swivel Bolt 5/8"-11 x 3 1/4"	M414	8758SB	\$18.30	\$18.30
	5/8" -11 Platen Holes			(1-15)	(16+)
Total Price	Complete Clamp Assembly	M429	87C558SOS	\$47.07	\$45.65
	5" Open-End Clamp Only	M424	87C5	\$18.47	\$17.23
	Oversize Washer	M403	8734W	\$1.48	\$1.48
	Oversize Hex Bolt 5/8"-11 x 3 1/2"	M416	8758OS	\$8.81	\$8.81
	Swivel Bolt 5/8"-11 x 3 1/4"	M414	8758SB	\$18.30	\$18.30
	3/4" -10 Platen Holes			(1-15)	(16+)
Total Price	Complete Clamp Assembly	M430	87C5C34SOS	\$48.41	\$46.95
	5" Closed-End Clamp Only	M427	87C5C	\$18.47	\$18.47
	Oversize Washer	M403	8734W	\$1.48	\$1.48
	Oversize Hex Bolt 3/4"-10 x 3 1/2"	M413	8734OS	\$10.15	\$10.15
	Swivel Bolt 5/8"-11 x 3 1/4"	M414	8758SB	\$18.30	\$18.30
	5/8" -11 Platen Holes			(1-15)	(16+)
Total Price	Complete Clamp Assembly	M431	87C5C58SOS	\$47.07	\$45.65
	5" Closed-End Clamp Only	M427	87C5C	\$18.47	\$18.47
	Oversize Washer	M403	8734W	\$1.48	\$1.48
	Oversize Hex Bolt 5/8"-11 x 3 1/2"	M416	8758OS	\$8.81	\$8.81
	Swivel Bolt 5/8"-11 x 3 1/4"	M414	8758SB	\$18.30	\$18.30
	Options			(1-15)	(16+)
	Anti-Slip Washer for 5/8"-11	M419	8758RW05	\$8.89	\$8.89
	Anti-Slip Washer for 3/4"-10	M420	8734RW05	\$8.89	\$8.89
	Non-Swivel Leveling Bolt	M405	87AB	\$1.12	\$1.12
	4 1/2" Long Platen Bolts OSH	M422	87-101	\$13.69	\$13.69
Metric Thread Platen Bolt – See page 193					



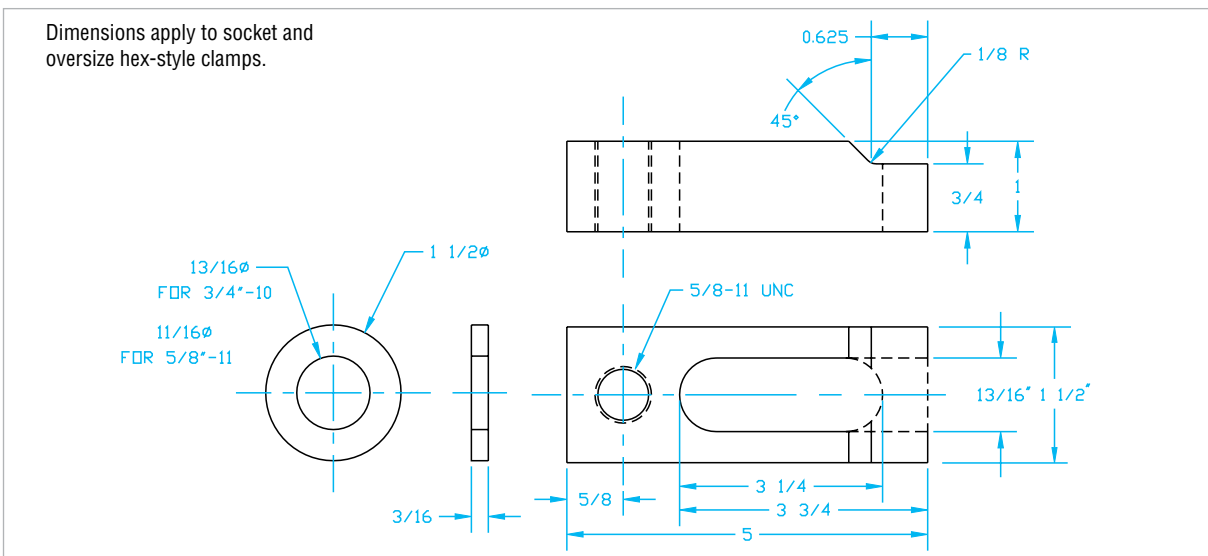
Open-End Clamp



Closed-End Clamp



Options



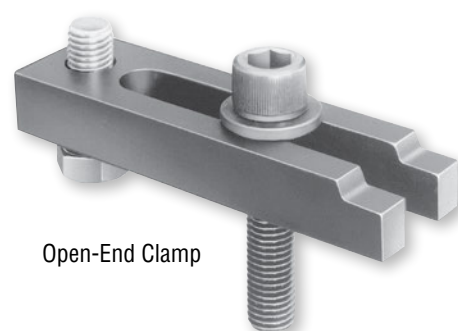
7" Mold Clamps

Through-hardened steel, open or closed end, socket or oversize hex bolt

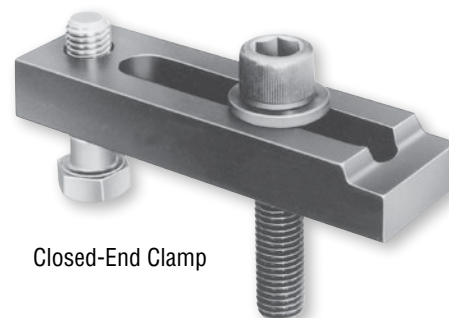
EMI's through-hardened steel clamps last longer than less expensive case-hardened clamps. These are easy to install and are adjustable, so that no spacers are required. The washers are extra-large and hardened. Metric thread bolts are available as an option.

7" Machined Mold Clamps: Socket Head Bolt Style

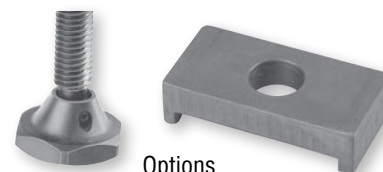
	Description	Quick#	Part#	Price	
	¾" -10 Platen Holes			(1-15)	(16+)
Total Price	Complete Clamp Assembly	M432	87C734S	\$29.67	\$28.77
	7" Open-End Clamp Only	M433	87C7	\$23.99	\$22.45
	Oversize Washer	M403	8734W	\$1.48	\$1.48
	Socket Head Bolt ¾"-10 x 3½"	M404	8734H	\$3.47	\$3.47
	Leveling Bolt ¾"-10 x 2"	M434	871AB	\$1.90	\$1.90
	⅝" -11 Platen Holes			(1-15)	(16+)
Total Price	Complete Clamp Assembly	M435	87C758S	\$29.09	\$28.21
	7" Open-End Clamp Only	M433	87C7	\$23.99	\$22.45
	Oversize Washer	M407	8758W	\$1.48	\$1.48
	Socket Head Bolt ⅝"-11 x 3½"	M408	8758H	\$2.33	\$2.33
	Leveling Bolt ¾"-10 x 2½"	M436	871ABA	\$2.30	\$2.30
	¾" -10 Platen Holes			(1-15)	(16+)
Total Price	Complete Clamp Assembly	M437	87C7C34S	\$29.67	\$28.77
	7" Closed-End Clamp Only	M438	87C7C	\$23.99	\$22.45
	Oversize Washer	M403	8734W	\$1.48	\$1.48
	Socket Head Bolt ¾"-10 x 3½"	M404	8734H	\$3.47	\$3.47
	Leveling Bolt ¾"-10 x 2"	M434	871AB	\$1.90	\$1.90
	⅝" -10 Platen Holes			(1-15)	(16+)
Total Price	Complete Clamp Assembly	M439	87C7C58S	\$29.09	\$28.21
	7" Closed-End Clamp Only	M438	87C7C	\$23.99	\$22.45
	Oversize Washer	M407	8758W	\$1.48	\$1.48
	Socket Head Bolt ⅝"-11 x 3½"	M408	8758H	\$2.42	\$2.42
	Leveling Bolt ¾"-10 x 2½"	M436	871ABA	\$2.30	\$2.30
	Options			(1-15)	(16+)
	Anti-Slip Washer for ⅝"-11	M445	8758RW07	\$9.02	\$9.02
	Anti-Slip Washer for ¾"-10	M446	8734RW07	\$9.02	\$9.02
	Swivel-Style Leveling Bolt	M441	8734SB	\$19.71	\$19.71
	4½" Long Platen Bolts SHCH	M421	87-60	\$4.54	\$4.54
Metric Thread Platen Bolt – See page 193					



Open-End Clamp



Closed-End Clamp

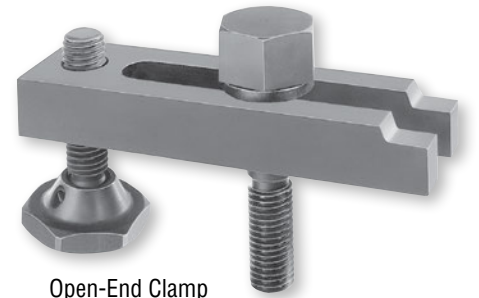


Options

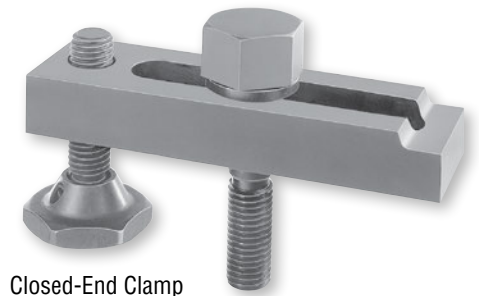
When ordering, use Quick#s to ensure order accuracy.

7" Machined Mold Clamps: Oversize Hex Head Bolt Style

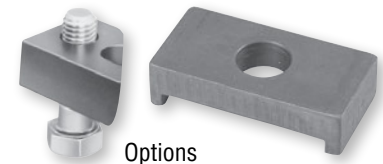
7" Mold Clamps



Open-End Clamp



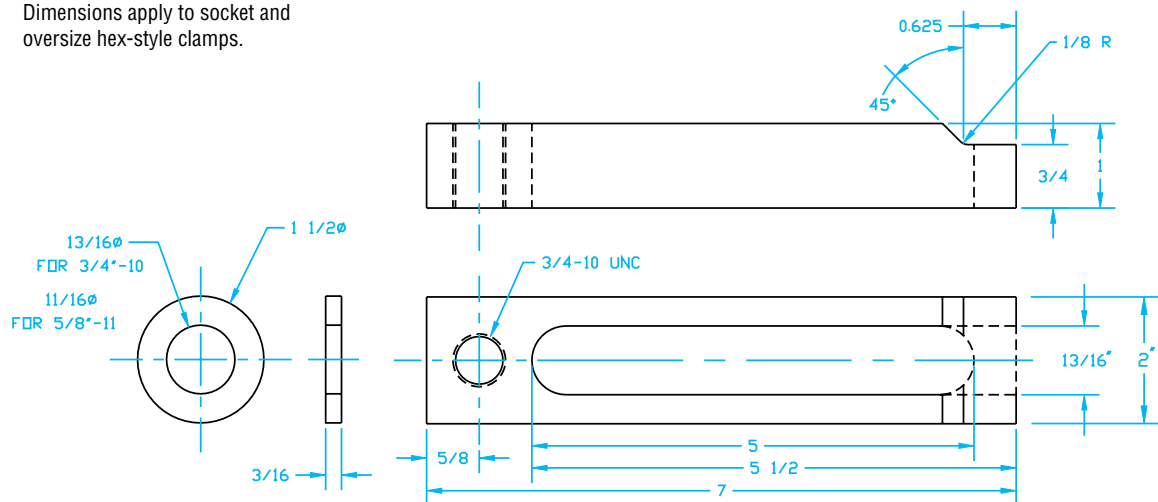
Closed-End Clamp



Options

	Description	Quick#	Part#	Price	
	¾" -10 Platen Holes			(1-15)	(16+)
Total Price	Complete Clamp Assembly	M440	87C734SOS	\$55.33	\$53.67
	7" Open-End Clamp Only	M433	87C7	\$23.99	\$22.45
	Oversize Washer	M403	8734W	\$1.48	\$1.48
	Oversize Hex Bolt ¾"-10 x 3½"	M413	8734OS	\$10.15	\$10.15
	Swivel Bolt ¾"-10 x 3¼"	M441	8734SB	\$19.71	\$19.71
	⅝" -11 Platen Holes			(1-15)	(16+)
Total Price	Complete Clamp Assembly	M442	87C758SOS	\$53.98	\$52.36
	7" Open-End Clamp Only	M433	87C7	\$23.99	\$22.45
	Oversize Washer	M403	8734W	\$1.48	\$1.48
	Oversize Hex Bolt ⅝"-11 x 3½"	M416	8758OS	\$8.81	\$8.81
	Swivel Bolt ¾"-10 x 3¼"	M441	8734SB	\$19.71	\$19.71
	¾" -10 Platen Holes			(1-15)	(16+)
Total Price	Complete Clamp Assembly	M443	87C7C34SOS	\$55.33	\$53.67
	7" Closed-End Clamp Only	M438	87C7C	\$23.99	\$22.45
	Oversize Washer	M403	8734W	\$1.48	\$1.48
	Oversize Hex Bolt ¾"-10 x 3½"	M413	8734OS	\$10.15	\$10.15
	Swivel Bolt ¾"-10 x 3¼"	M441	8734SB	\$19.71	\$19.71
	⅝" -11 Platen Holes			(1-15)	(16+)
Total Price	Complete Clamp Assembly	M444	87C7C58SOS	\$53.98	\$52.36
	7" Closed-End Clamp Only	M438	87C7C	\$23.99	\$22.45
	Oversize Washer	M403	8734W	\$1.48	\$1.48
	Oversize Hex Bolt ⅝"-11 x 3½"	M416	8758OS	\$8.81	\$8.81
	Swivel Bolt ¾"-10 x 3¼"	M441	8734SB	\$19.71	\$19.71
	Options			(1-15)	(16+)
	Anti-Slip Washer for ⅝"-11	M445	8758RW07	\$9.02	\$9.02
	Anti-Slip Washer for ¾"-10	M446	8734RW07	\$9.02	\$9.02
	Non-Swivel Leveling Bolt	M436	871ABA	\$2.30	\$2.30
	4½" Long Platen Bolts OSH	M422	87-101	\$13.69	\$13.69
Metric Thread Platen Bolt – See page 193					

Dimensions apply to socket and oversize hex-style clamps.



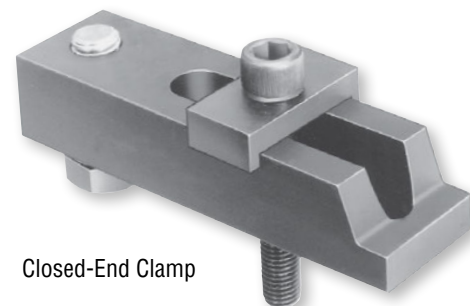
9" Mold Clamps

Through-hardened steel, closed end, socket or oversize hex bolt

EMI's through-hardened steel clamps last longer than less expensive case-hardened clamps. These are easy to install and are adjustable, so that no spacers are required. The washers are extra-large and hardened. Metric thread bolts are available as an option.

9" Machined Mold Clamps: Socket Head Bolt Style

Description		Quick#	Part#	Price	
¾" -10 Platen Holes				(1-15)	(16+)
Total Price	Complete Clamp Assembly	M448	87C9C34S	\$68.19	\$66.14
	9" Closed-End Clamp Only	M449	87C9C	\$52.26	\$48.87
	Non-Slip Washer	M450	8734RW	\$9.05	\$9.05
	Socket Head Bolt ¾"-10 x 4½"	M451	8734HA	\$4.03	\$4.03
	Leveling Bolt 1"-8 x 3¼"	M452	872ABA	\$2.29	\$2.29
1" -8 Platen Holes				(1-15)	(16+)
Total Price	Complete Clamp Assembly	M453	87C9C1S	\$72.54	\$70.36
	9" Closed-End Clamp Only	M449	87C9C	\$52.26	\$48.87
	Non-Slip Washer	M454	871RW	\$9.37	\$9.37
	Socket Head Bolt 1"-8 x 4½"	M455	871H	\$9.52	\$9.52
	Leveling Bolt 1"-8 x 2½"	M452	872ABA	\$4.33	\$4.33
Options				(1-15)	(16+)
	Swivel-Style Leveling Bolt	M456	871SB	\$21.58	\$21.58
	1"-8 x 5½" Long Platen Bolts SHCH	M457	87-94	\$17.51	\$17.51
	¾"-10 x 5½" Long Platen Bolts SHCH	M447	87-102	\$11.70	\$11.70
Metric Thread Platen Bolt – See page 193					



Closed-End Clamp

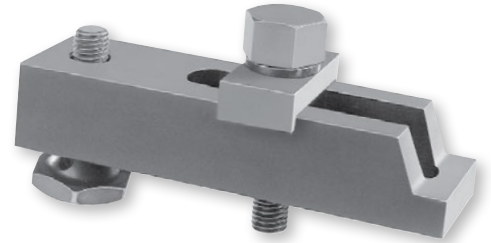


Options

When ordering, use Quick#s to ensure order accuracy.

9" Mold Clamps

9" Machined Mold Clamps: Oversize Hex Head Bolt Style



Closed-End Clamp



Options

Total Price

Description	Quick#	Part#	Price	
			(1-15)	(16+)
3/4" -10 Platen Holes				
Complete Clamp Assembly	M458	87C9C34SOS	\$93.05	\$90.25
9" Closed-End Clamp Only	M449	87C9C	\$52.26	\$48.87
Non-Slip Washer	M450	8734RW	\$9.05	\$9.05
Oversize Hex Bolt 3/4"-10 x 4 1/2"	M459	8734OSL	\$10.15	\$10.15
Swivel Bolt 1"-8 x 3/4"	M456	871SB	\$21.58	\$21.58

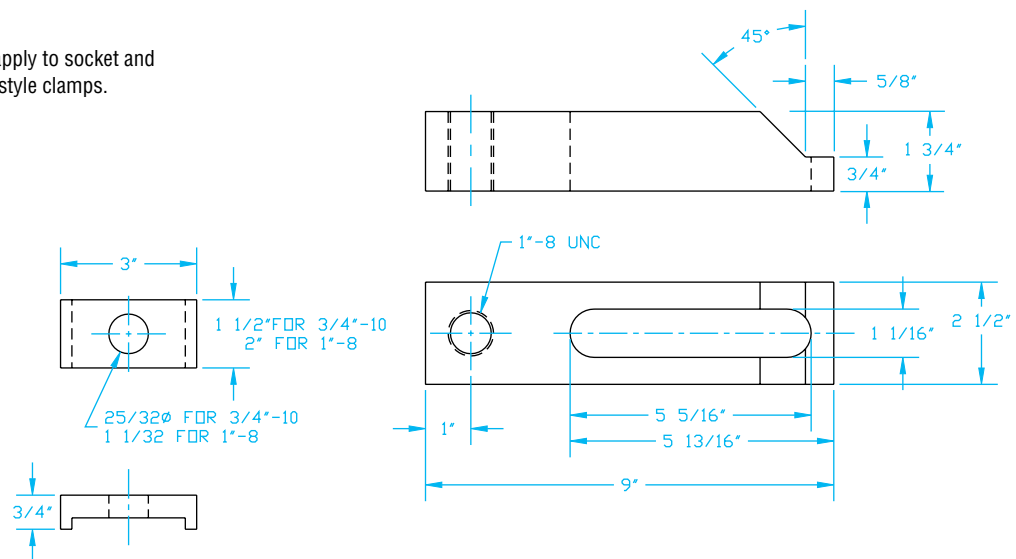
Total Price

1" -8 Platen Holes				
			(1-15)	(16+)
Complete Clamp Assembly	M460	87C9C1SOS	\$98.97	\$96.00
9" Closed-End Clamp Only	M449	87C9C	\$52.26	\$48.87
Non-Slip Washer	M454	871RW	\$9.37	\$9.37
Oversize Hex Bolt 1"-8 x 4 1/2"	M461	871OS	\$15.76	\$15.76
Leveling Bolt 1"-8 x 3/4"	M456	871SB	\$21.58	\$21.58

Options			(1-15)	(16+)
Non-Swivel Leveling Bolt	M452	872ABA	\$4.33	\$4.33
1"-8 x 5 1/2" Long Platen Bolts OSH	M462	871OSL	\$24.73	\$24.73
3/4"-10 x 5 1/2" Long Platen Bolts OSH	M469	87-103	\$19.11	\$19.11

Metric Thread Platen Bolt – See page 193

Dimensions apply to socket and oversize hex-style clamps.



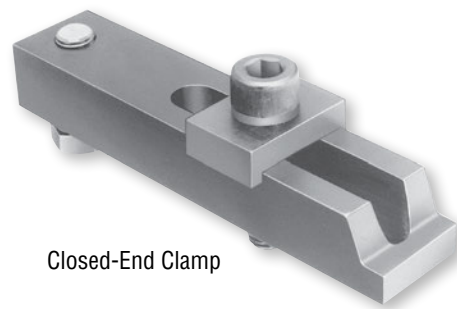
12" Mold Clamps

Through-hardened steel, closed end, socket or oversize hex bolt

EMI's through-hardened steel clamps last longer than less expensive case-hardened clamps. These are easy to install and are adjustable, so that no spacers are required. The washers are extra-large and hardened. Metric thread bolts are available as an option.

12" Machined Mold Clamps: Socket Head Bolt Style

	Description	Quick#	Part#	Price	
	¾" -10 Platen Holes			(1-15)	(16+)
Total Price	Complete Clamp Assembly	M463	87C12C34S	\$78.07	\$75.72
	12" Closed-End Clamp Only	M464	87C12C	\$62.14	\$58.27
	Non-Slip Washer	M450	8734RW	\$9.05	\$9.05
	Socket Head Bolt ¾"-10 x 4½"	M451	8734HA	\$4.03	\$4.03
	Leveling Bolt 1"-8 x 3¼"	M452	872ABA	\$4.33	\$4.33
	1" -8 Platen Holes			(1-15)	(16+)
Total Price	Complete Clamp Assembly	M465	87C12C1S	\$82.43	\$79.95
	12" Closed-End Clamp Only	M464	87C12C	\$62.14	\$58.27
	Non-Slip Washer	M454	871RW	\$9.37	\$9.37
	Socket Head Bolt 1"-8 x 4½"	M455	871H	\$9.52	\$9.52
	Leveling Bolt 1"-8 x 2½"	M452	872ABA	\$4.33	\$4.33
	Options			(1-15)	(16+)
	Swivel-Style Leveling Bolt	M456	871SB	\$21.58	\$21.58
	1"-8 x 5½" Long Platen Bolts SHCH	M457	87-94	\$17.51	\$17.51
	¾"-10 x 5½" Long Platen Bolts SHCH	M447	87-102	\$9.30	\$9.30
Metric Thread Platen Bolt – See page 193					



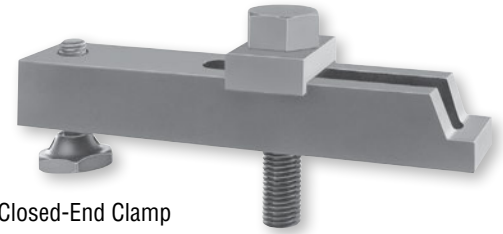
Closed-End Clamp



Options

When ordering, use Quick#s to ensure order accuracy.

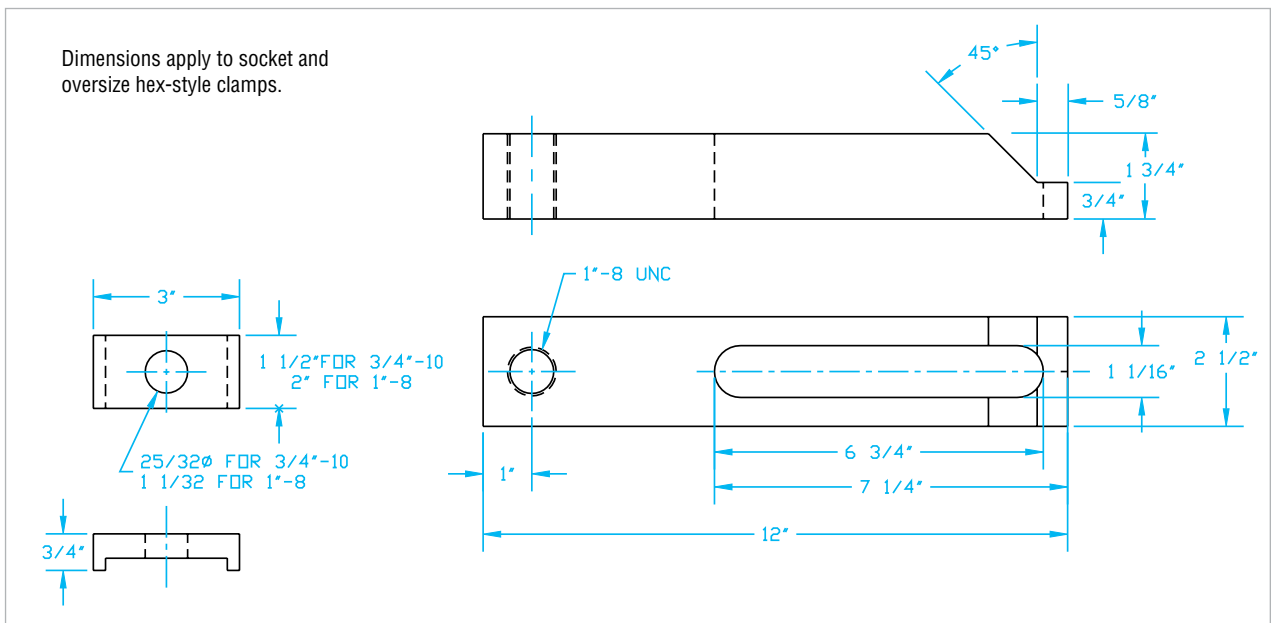
12" Mold Clamps



Closed-End Clamp

12" Machined Mold Clamps: Oversize Hex Head Bolt Style

	Description	Quick#	Part#	Price	
	3/4" -10 Platen Holes			(1-15)	(16+)
Total Price	Complete Clamp Assembly	M466	87C12C34SOS	\$102.93	\$99.84
	12" Closed-End Clamp Only	M464	87C12C	\$62.14	\$58.27
	Non-Slip Washer	M450	8734RW	\$9.05	\$9.05
	Oversize Hex Bolt 3/4"-10 x 4 1/2"	M459	8734OSL	\$10.15	\$10.15
	Swivel Bolt 1"-8 x 3 1/4"	M456	871SB	\$21.58	\$21.58
	1" -8 Platen Holes			(1-15)	(16+)
Total Price	Complete Clamp Assembly	M467	87C12C1SOS	\$108.86	\$105.59
	12" Closed-End Clamp Only	M464	87C12C	\$62.14	\$58.27
	Non-Slip Washer	M454	871RW	\$9.37	\$9.37
	Oversize Hex Bolt 1"-8 x 4 1/2"	M461	871OS	\$15.76	\$15.76
	Swivel Bolt 1"-8 x 3 1/4"	M456	871SB	\$21.58	\$21.58
	Options			(1-15)	(16+)
	Non-Swivel Leveling Bolt	M452	872ABA	\$4.33	\$4.33
	1"-8 x 5 1/2" Long Platen Bolts OSH	M462	871OSL	\$24.73	\$24.73
	3/4"-10 x 5 1/2" Long Platen Bolts OSH	M469	87-103	\$19.11	\$19.11
Metric Thread Platen Bolt – See page 193					



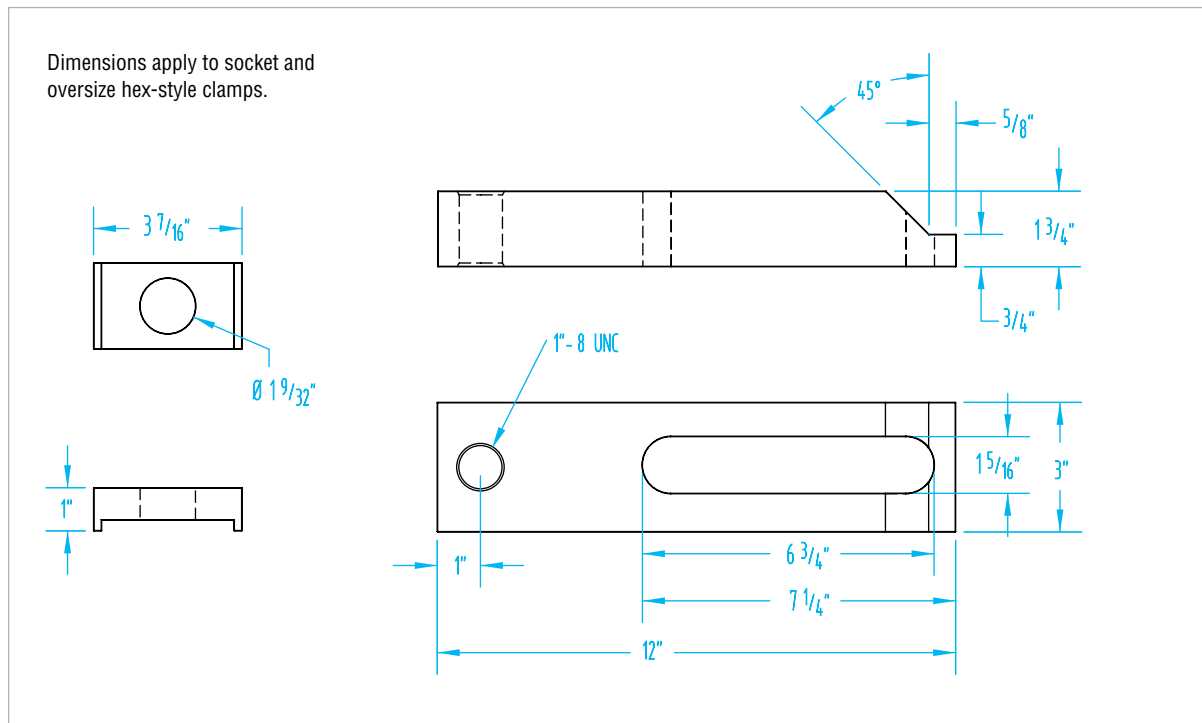
12" Mold Clamps

12" Machined Mold Clamps: Socket Head Bolt Style

Description	Quick#	Part#	Price	
1-1/4" Platen Holes			(1-15)	(16+)
Total Price Complete Clamp Assembly	M470	87C12C125S	\$123.83	\$120.11
12" x 3" Closed-End Clamp Only	M471	87C12X3C	\$83.53	\$77.73
Non-Slip Washer	M472	87125RW	\$13.47	\$13.47
Socket Head Bolt 1 1/4"-7 x 4 1/2"	M473	87125H	\$18.88	\$18.88
Leveling Bolt 1"-8 x 2 1/2"	M452	872ABA	\$4.33	\$4.33
Options			(1-15)	(16+)
Socket Head Bolt 1 1/4"-7 x 5 1/2"	M475	87-105	\$28.57	\$28.57
Metric Thread Platen Bolt - See page 193				

12" Machined Mold Clamps: Oversize Hex Bolt Style

Description	Quick#	Part#	Price	
1-1/4" Platen Holes			(1-15)	(16+)
Total Price Complete Clamp Assembly	M476	87C12C125SOS	\$148.19	\$143.74
12" x 3" Closed-End Clamp Only	M471	87C12X3C	\$83.53	\$77.73
Non-Slip Washer	M472	87125RW	\$13.47	\$13.47
Oversize Hex Bolt 1 1/4"-7 x 4 1/2"	M479	87125OS	\$29.61	\$29.61
Swivel Bolt 1"-8 x 3 1/4"	M456	871SB	\$21.58	\$21.58
Options			(1-15)	(16+)
1 1/4"-7 x 5 1/2" Long Platen Bolts OSH	M481	87-125OSL	\$40.63	\$40.63
Metric Thread Platen Bolt - See page 193				



Socket Head Screws — Metric, Grade 12.9

Quick#	Part#	Metric Thread	Length Under Head (mm)	Price (each)
M500	GSC SM12 30	12 x 1.75	30	\$0.91
M501	GSC SM12 40	12 x 1.75	40	\$1.14
M502	GSC SM12 50	12 x 1.75	50	\$1.35
M503	GSC SM12 60	12 x 1.75	60	\$1.40
M504	GSC SM12 70	12 x 1.75	70	\$1.70
M505	GSC SM12 80	12 x 1.75	80	\$1.81
M506	GSC SM12 90	12 x 1.75	90	\$1.91
M507	GSC SM12 100	12 x 1.75	100	\$1.95
M508	GSC SM12 110	12 x 1.75	110	\$2.08
M509	GSC SM12 120	12 x 1.75	120	\$2.21
M510	GSC SM14 30	14 x 2	30	\$1.52
M511	GSC SM14 40	14 x 2	40	\$1.60
M512	GSC SM14 50	14 x 2	50	\$1.66
M513	GSC SM14 60	14 x 2	60	\$1.82
M514	GSC SM14 70	14 x 2	70	\$2.43
M515	GSC SM14 80	14 x 2	80	\$3.29
M516	GSC SM14 90	14 x 2	90	\$3.68
M517	GSC SM14 100	14 x 2	100	\$3.90
M518	GSC SM14 110	14 x 2	110	\$4.98
M519	GSC SM14 120	14 x 2	120	\$5.59
M520	GSC SM16 30	16 x 2	30	\$1.82
M521	GSC SM16 40	16 x 2	40	\$1.78
M522	GSC SM16 50	16 x 2	50	\$2.12
M523	GSC SM16 60	16 x 2	60	\$2.90
M524	GSC SM16 70	16 x 2	70	\$2.99
M525	GSC SM16 80	16 x 2	80	\$3.12
M526	GSC SM16 90	16 x 2	90	\$3.68
M527	GSC SM16 100	16 x 2	100	\$3.84
M528	GSC SM16 110	16 x 2	110	\$4.15
M529	GSC SM16 120	16 x 2	120	\$4.77
M530	GSC SM20 30	20 x 2.5	30	\$5.03
M531	GSC SM20 40	20 x 2.5	40	\$3.58
M532	GSC SM20 50	20 x 2.5	50	\$3.58
M533	GSC SM20 60	20 x 2.5	60	\$3.71
M534	GSC SM20 70	20 x 2.5	70	\$3.94
M535	GSC SM20 80	20 x 2.5	80	\$5.16
M536	GSC SM20 90	20 x 2.5	90	\$5.97
M537	GSC SM20 100	20 x 2.5	100	\$5.63
M538	GSC SM20 110	20 x 2.5	110	\$6.11
M539	GSC SM20 120	20 x 2.5	120	\$6.79
M540	GSC SM24 40	24 x 3	40	\$9.15
M541	GSC SM24 50	24 x 3	50	\$7.24
M542	GSC SM24 60	24 x 3	60	\$8.55
M543	GSC SM24 70	24 x 3	70	\$8.94
M544	GSC SM24 80	24 x 3	80	\$9.19
M545	GSC SM24 90	24 x 3	90	\$9.59
M546	GSC SM24 100	24 x 3	100	\$9.76
M547	GSC SM24 110	24 x 3	110	\$12.91
M548	GSC SM24 120	24 x 3	120	\$13.13
M549	GSC SM30 50	30 x 3.5	50	\$14.46
M550	GSC SM30 60	30 x 3.5	60	\$14.98
M551	GSC SM30 70	30 x 3.5	70	\$15.59
M552	GSC SM30 80	30 x 3.5	80	\$15.86
M553	GSC SM30 90	30 x 3.5	90	\$15.86
M554	GSC SM30 100	30 x 3.5	100	\$16.21
M555	GSC SM30 110	30 x 3.5	110	\$23.11
M556	GSC SM30 120	30 x 3.5	120	\$19.93

Metric Mold Clamp Bolts

Socket Head Screws — Metric, Grade 12.9 (continued)

Quick#	Part#	Metric Thread	Length Under Head (mm)	Price (each)
M557	GSC SM36 80	36 x 3.5	80	\$34.88
M558	GSC SM36 90	36 x 3.5	90	\$34.88
M559	GSC SM36 100	36 x 3.5	100	\$37.54
M560	GSC SM36 110	36 x 3.5	110	\$42.45
M561	GSC SM36 120	36 x 3.5	120	\$37.54

Hex Head Screws — Metric, Grade 10.9

Quick#	Part#	Metric Thread	Length Under Head (mm)	Price (each)
M562	GSC HM12 50	12 x 1.75	50	\$1.24
M563	GSC HM12 60	12 x 1.75	60	\$1.24
M564	GSC HM12 70	12 x 1.75	70	\$1.61
M565	GSC HM12 80	12 x 1.75	80	\$1.70
M566	GSC HM12 90	12 x 1.75	90	\$2.15
M567	GSC HM12 100	12 x 1.75	100	\$2.15
M568	GSC HM12 110	12 x 1.75	110	\$3.51
M569	GSC HM12 120	12 x 1.75	120	\$2.54
M570	GSC HM14 50	14 x 2	50	\$2.78
M571	GSC HM14 60	14 x 2	60	\$2.99
M572	GSC HM14 70	14 x 2	70	\$2.12
M573	GSC HM14 80	14 x 2	80	\$2.31
M574	GSC HM14 90	14 x 2	90	\$2.70
M575	GSC HM14 100	14 x 2	100	\$2.80
M576	GSC HM14 110	14 x 2	110	\$3.07
M577	GSC HM14 120	14 x 2	120	\$2.86
M578	GSC HM16 50	16 x 2	50	\$2.25
M579	GSC HM16 60	16 x 2	60	\$2.35
M580	GSC HM16 70	16 x 2	70	\$2.65
M581	GSC HM16 80	16 x 2	80	\$6.63
M582	GSC HM16 90	16 x 2	90	\$7.61
M583	GSC HM16 100	16 x 2	100	\$8.19
M584	GSC HM16 110	16 x 2	110	\$3.56
M585	GSC HM16 120	16 x 2	120	\$3.77
M586	GSC HM20 70	20 x 2.5	70	\$3.93
M587	GSC HM20 80	20 x 2.5	80	\$4.80
M588	GSC HM20 90	20 x 2.5	90	\$5.14
M589	GSC HM20 100	20 x 2.5	100	\$5.37
M590	GSC HM20 110	20 x 2.5	110	\$5.53
M591	GSC HM20 120	20 x 2.5	120	\$5.81
M592	GSC HM24 80	24 x 3	80	\$6.96
M593	GSC HM24 90	24 x 3	90	\$7.27
M594	GSC HM24 100	24 x 3	100	\$7.57
M595	GSC HM24 110	24 x 3	110	\$7.84
M596	GSC HM24 120	24 x 3	120	\$9.14
M597	GSC HM30 90	30 x 3.5	90	\$21.33
M598	GSC HM30 100	30 x 3.5	100	\$17.16
M599	GSC HM30 110	30 x 3.5	110	\$11.47
M600	GSC HM30 120	30 x 3.5	120	\$16.50
M601	GSC HM36 120	36 x 3.5	120	\$25.94

Mold Side Shields

Excellent for both extremely short cycle times & very high speeds of travel

EMI's high quality Mold Side Shields mount on each side of the molding machine, opening and closing smoothly, along with the mold. The screen prevents parts from dispersing. Parts are directed downward onto a conveyor or into boxes, rather than scattering around the mold.

Side Shields are an excellent way to prevent small parts from sticking to oily machinery, reduce part contamination, improve part quality and reduce scrap loss.

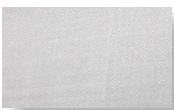


Mold side shields are priced as a set (2). Magnets sold separately.

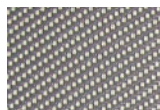
Features

- A specially designed spring guarantees a long service life of the mold side shield.
- Spring loaded roller, rolls screen with each cycle — no creases or folds to trap parts.
- Available in 12 sizes and three material choices; custom sizes are available on request.
- Velcro® strips allow screens to be replaced easily.
- Standard material is temperature rated up to 239°F.
- Optional non-flammable, glass-filled fiber rated up to 302°F.
- Optional high temperature material is fire retardant up to 572°F.

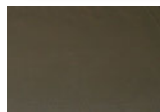
Materials available — All Mold Side Shields ship with our standard semi-transparent, PA (Polyamide) nylon screens. We offer two other shield material types available: PVC-GF, and High-Temp. Please call EMI for pricing and availability of custom sizes.



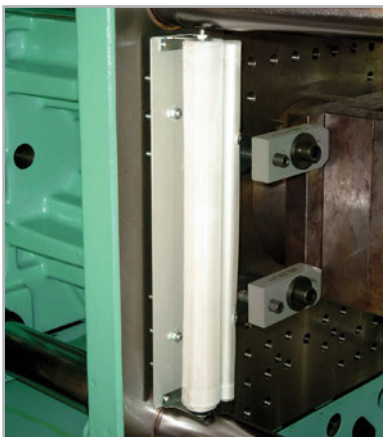
1. Standard PA-nylon (Polyamide) fabric is used when mold temperatures reach up to 239°F (115°C).



2. *Optional* PVC-GF glass-filled fiber, non-flammable, is used when mold temperatures reach up to 302°F (150°C).



3. *Optional* Fire repellent material is used with mold temperatures reach up to 572°F (300°C). Especially good for duroplastic, rubber or silicon processing.



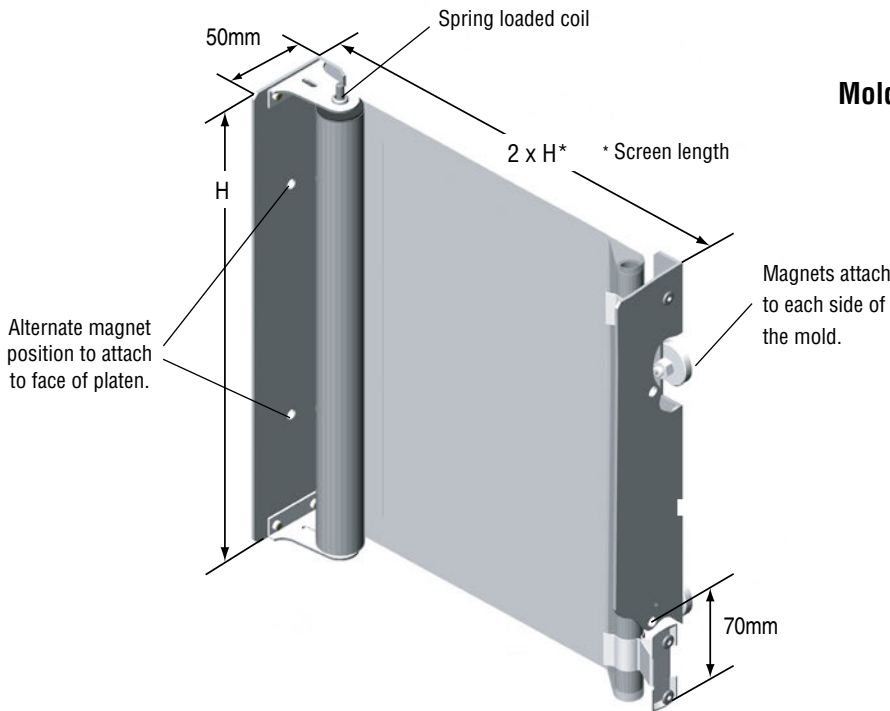
Magnets for Mold Shields (set of 8)

Quick#	Part#	Description	Price
7013	EE003	Rare Earth Magnet Set – 25mm	\$93.00
7014	EE004	Large Standard Magnet Set – 50mm	\$65.00

When ordering, use Quick#s to ensure order accuracy.

Mold Side Shields

Mold Shield Length is twice the size of the Height.



Mold Side Shields Set — Standard Material

Quick#	Part#	Mold Shield Height	Price
7001	EMR200PA	200mm (7.8")	\$341.00
7002	EMR250PA	250mm (9.8")	\$347.00
7003	EMR300PA	300mm (11.8")	\$354.00
7004	EMR400PA	400mm (15.7")	\$360.00
7005	EMR500PA	500mm (19.6")	\$366.00
7006	EMR600PA	600mm (23.6")	\$376.00
7007	EMR700PA	700mm (27.5")	\$385.00
7008	EMR800PA	800mm (31.5")	\$407.00
7009	EMR900PA	900mm (35.4")	\$414.00
7010	EMR1000PA	1000mm (39.3")	\$421.00
7011	EMR1100PA	1100mm (43.3")	\$428.00
7012	EMR1200PA	1200mm (47.2")	\$435.00

Mold Side Shields Set — PVC / GF Material

Quick#	Part#	Mold Shield Height & Material	Price
7061	EMR200GF	200mm (7.8") PVC/ GF	\$361.00
7062	EMR250GF	250mm (9.8") PVC/ GF	\$366.00
7063	EMR300GF	300mm (11.8") PVC/ GF	\$371.00
7064	EMR400GF	400mm (15.7") PVC/ GF	\$376.00
7065	EMR500GF	500mm (19.6") PVC/ GF	\$381.00
7066	EMR600GF	600mm (23.6") PVC/ GF	\$386.00
7067	EMR700GF	700mm (27.5") PVC/ GF	\$391.00
7068	EMR800GF	800mm (31.5") PVC/ GF	\$407.00
7069	EMR900GF	900mm (35.4") PVC/ GF	\$413.00
7070	EMR1000GF	1000mm (39.3") PVC/ GF	\$419.00
7071	EMR1100GF	1100mm (43.3") PVC/ GF	\$425.00
7072	EMR1200GF	1200mm (47.2") PVC/ GF	\$431.00

Mold Side Shields Set — High Temperature Material

Quick#	Part#	Mold Shield Height & Material	Price
7041	EMR200HT	200mm (7.8") High Temp.	\$342.00
7042	EMR250HT	250mm (9.8") High Temp.	\$348.00
7043	EMR300HT	300mm (11.8") High Temp.	\$354.00
7044	EMR400HT	400mm (15.7") High Temp.	\$360.00
7045	EMR500HT	500mm (19.6") High Temp.	\$366.00
7046	EMR600HT	600mm (23.6") High Temp.	\$388.00
7047	EMR700HT	700mm (27.5") High Temp.	\$407.00
7048	EMR800HT	800mm (31.5") High Temp.	\$413.00
7049	EMR900HT	900mm (35.4") High Temp.	\$419.00
7050	EMR1000HT	1000mm (39.3") High Temp.	\$425.00
7051	EMR1100HT	1100mm (43.3") High Temp.	\$431.00
7052	EMR1200HT	1200mm (47.2") High Temp.	\$437.00

Mold Side Shields — Standard Replacement Fabric

Quick#	Part#	Description	Price
7015	ERF200PA	200mm (7.8") Replacement Fabric	\$74.00
7016	ERF250PA	250mm (9.8") Replacement Fabric	\$76.00
7017	ERF300PA	300mm (11.8") Replacement Fabric	\$78.00
7018	ERF400PA	400mm (15.7") Replacement Fabric	\$80.00
7019	ERF500PA	500mm (19.6") Replacement Fabric	\$82.00
7020	ERF600PA	600mm (23.6") Replacement Fabric	\$88.00
7021	ERF700PA	700mm (27.5") Replacement Fabric	\$90.00
7022	ERF800PA	800mm (31.5") Replacement Fabric	\$92.00
7023	ERF900PA	900mm (35.4") Replacement Fabric	\$94.00
7024	ERF1000PA	1000mm (39.3") Replacement Fabric	\$96.00
7025	ERF1100PA	1100mm (43.3") Replacement Fabric	\$98.00
7026	ERF1200PA	1200mm (47.2") Replacement Fabric	\$100.00

Mold Side Shields — Replacement Roller

Quick#	Part#	Description	Price
7027	ERR200	200mm (7.8") Replacement Roller	\$74.00
7028	ERR250	250mm (9.8") Replacement Roller	\$76.00
7029	ERR300	300mm (11.8") Replacement Roller	\$78.00
7030	ERR400	400mm (15.7") Replacement Roller	\$80.00
7031	ERR500	500mm (19.6") Replacement Roller	\$82.00
7032	ERR600	600mm (23.6") Replacement Roller	\$88.00
7033	ERR700	700mm (27.5") Replacement Roller	\$90.00
7034	ERR800	800mm (31.5") Replacement Roller	\$92.00
7035	ERR900	900mm (35.4") Replacement Roller	\$94.00
7036	ERR1000	1000mm (39.3") Replacement Roller	\$96.00
7037	ERR1100	1100mm (43.3") Replacement Roller	\$98.00
7038	ERR1200	1200mm (47.2") Replacement Roller	\$100.00

Hand Tools from Swanstrom

Non-scratch bronze grippers

- Strongest bronze alloy.
- Non-scratch, ideal for removing sprues and parts without damaging mold surfaces.
- Non-magnetic, for work around MRI's and magnets.
- Corrosion resistant.
- Soft Touch™ static dissipative foam handles distribute pressure smoothly to the hand and dissipate static electricity slowly to protect components.
- Longer double ergonomic handles, for high leverage, less operator force.



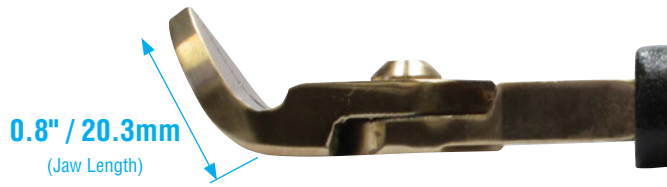
Edge type is extremely important. Hardness of the material being cut may dictate standard bevel, but when soft material is used, a super flush cutter jaw will function with about half the effort required for a bevel or flush cutter, while minimizing wire pinch and spike and potential shock damage to the leads or components. Super flush cutters wear faster, but that cost is usually offset by other ergonomic and shock reduction and low spike advantages. Swanstrom edge-cut choices include: shear, near shear, 0.010" bevel, 0.005" flush, 0.002" full flush, and 0.000" super flush.

Tool head and tip shape choices permit a wide range of hand and arm positions with maximum visibility at the point of cut. Swanstrom oval designs are strongest. Taper slims are most versatile but weakest at the tips. Angle end cutters and curved noses should be evaluated before the need to incur the additional cost of special handles.



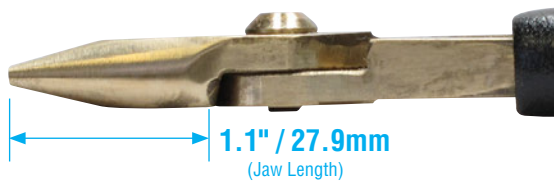
Bronze Grippers

Size 6



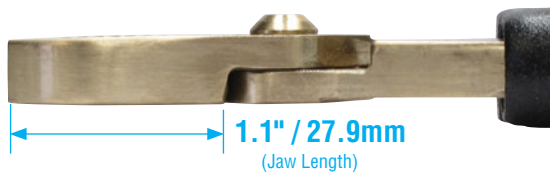
Plier, curved nose (size 6), with serrated edge.

Quick#	Part#	Overall Length	Price
A436	BC6	6.54" / 166mm	\$79.16



Plier, short ball tip nose (size 6), with serrated edge.

Quick#	Part#	Overall Length	Price
A437	BL6	6.53" / 165.8mm	\$79.16



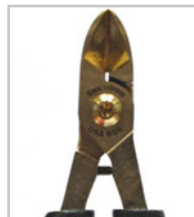
Plier, teeth 2-way (size 6), with toothed edge.

Quick#	Part#	Overall Length	Price
A438	BT6	6.80" / 172.7mm	\$79.16



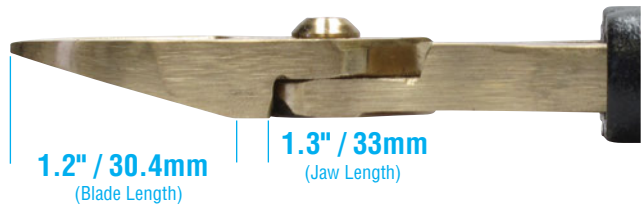
Cutter or puller (size 6), with flush edge with set screw.

Quick#	Part#	Overall Length	Price
A439	BD6	6.84" / 173.7mm	\$79.16



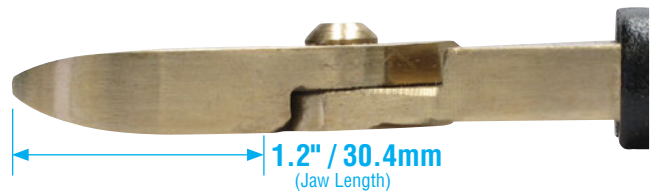
Bronze Grippers

Size 8



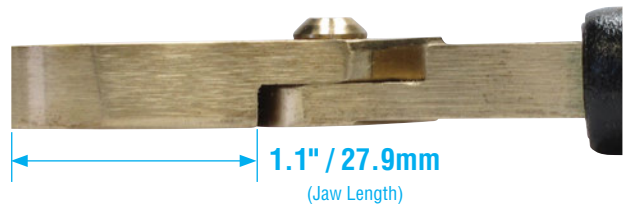
Plier - gripper (size 8), with serrated edge.

Quick#	Part#	Overall Length	Price
A440	BDS8	7.84" / 199.1mm	\$98.38



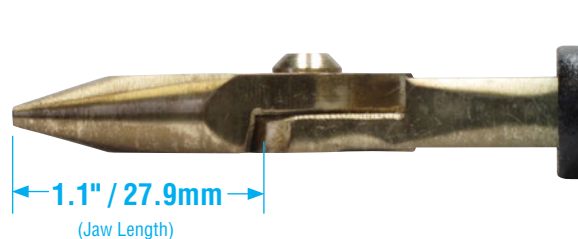
Plier - gripper, oval, curved (size 8), with serrated edge.

Quick#	Part#	Overall Length	Price
A441	BG8	7.84" / 199.1mm	\$88.78



Plier, teeth 2-way (size 8), with toothed edge.

Quick#	Part#	Overall Length	Price
A442	BT8	8.04" / 204.2mm	\$88.78



Plier, long nose (size 8), with serrated and grooved jaw.

Quick#	Part#	Overall Length	Price
A443	BL8	7.84" / 199mm	\$88.78

Bronze Grippers Size 9



Plier, curved, (size 9), with serrated and grooved jaw.

Quick#	Part#	Overall Length	Price
A444	BC9	8.64" / 219.4mm	\$88.78



Plier, long nose (size 9), with serrated and grooved jaw.

Quick#	Part#	Overall Length	Price
A445	BL9	8.84" / 224.5mm	\$88.78

Gate Cutters from Swanstrom

Super sharp, anti-static, foam covered handles

User friendly, long life gate cutters

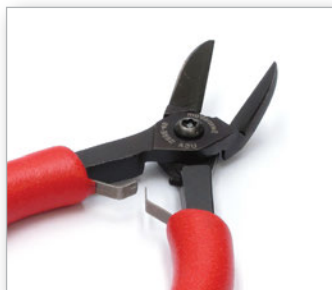
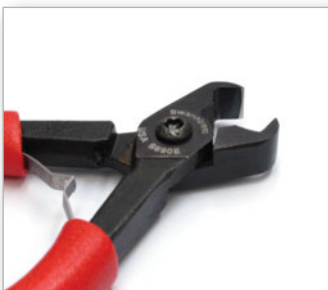
- Forged high-chromium, high-carbon alloy tool steel.
- Electronic induction hardening, for longest blade life.
- Super sharp jaw with super flush honing for ease of squeeze and no spike.
- Scrivets for perfect smooth bearings and blade alignment, ease of operation and adjusts.
- Longer double ergo handles for high leverage, less operator force.
- Soft touch, static dissipative textured foam grip.



Stainless Steel Leaf Springs Adjustment

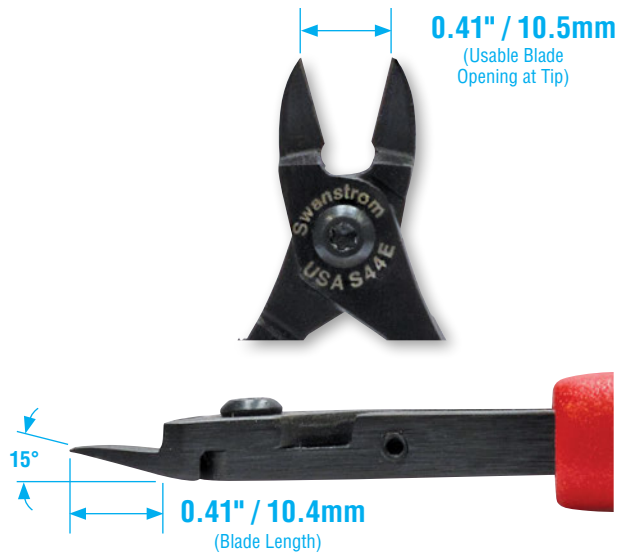
Swanstrom adjustable stainless springs are welded in place under the foam plastic to assure proper position and alignment. Tension is factory set to what we believe is ideal for most people. If you wish to adjust spring pressure:

1. Before adjusting, try adding a drop or two of oil to the joint. Oil alone may allow the joint to work more freely.
2. If spring adjustment is needed, prevent pull on the spring by applying thumb pressure over base of spring.
3. Grasp exposed spring with long nose pliers, bend spring away from handle for more tension and bend toward the handle for less tension.
4. Repeat on other spring to match.



Blades shown normally open

Gate Cutters



Oval slim head at 15° with 35° jaw, super flush.

Quick#	Part#	Overall Length	Max. Blade Opening	Price
A447	S44E	5.65" / 143.5mm	0.94" / 23.8mm	\$55.18



Oval slim head at 15° with 35° jaw, super flush.

Quick#	Part#	Overall Length	Max. Blade Opening	Price
A448	S55E	5.80" / 147.3mm	1.11" / 28.1mm	\$55.18



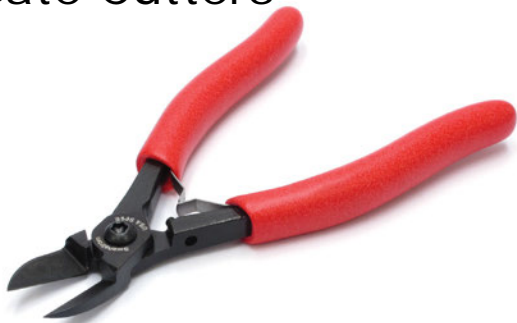
Angled head at 80° with 45° jaw, super flush.

Quick#	Part#	Overall Length	Max. Blade Opening	Price
A449	S58E80	5.85" / 148.5mm	1.125" / 28.5mm	\$64.76



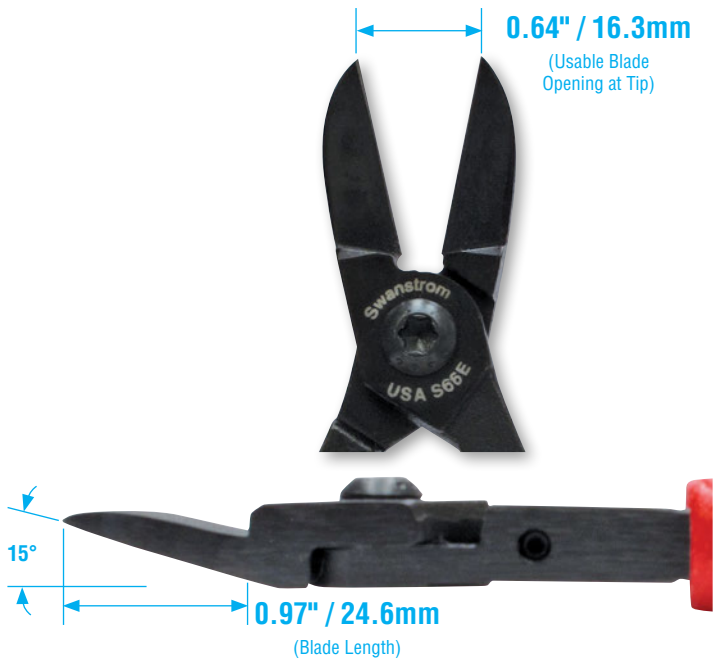
Blades shown normally open

Gate Cutters



Oval slim head at 15° with 35° jaw, super flush.

Quick#	Part#	Overall Length	Max. Blade Opening	Price
A450	S66E	6.60" / 167.6mm	1.63" / 41.4mm	\$57.55



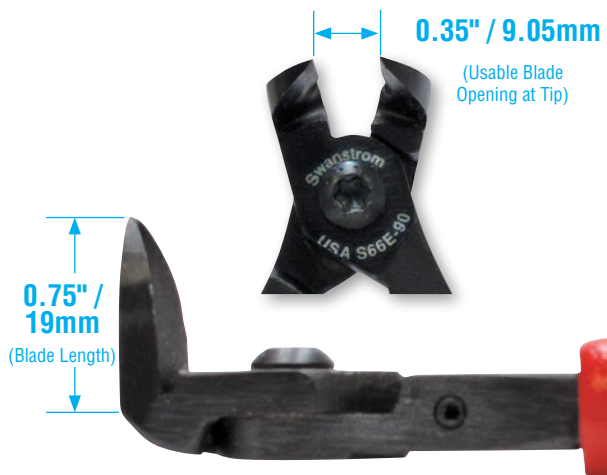
Angled head at 45° with 35° jaw, super flush.

Quick#	Part#	Overall Length	Max. Blade Opening	Price
A451	S66E45	6.35" / 161.2mm	1.5" / 38mm	\$59.97



Angled head at 90° with 35° jaw, super flush.

Quick#	Part#	Overall Length	Max. Blade Opening	Price
A452	S66E90	5.95" / 151.1mm	0.80" / 20.3mm	\$59.97



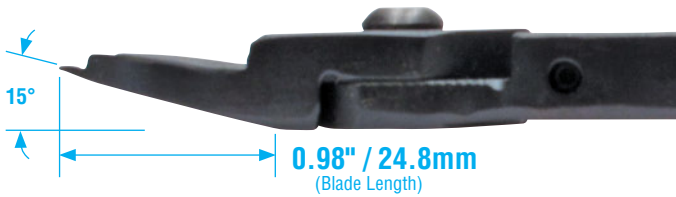
Blades shown normally open

Gate Cutters



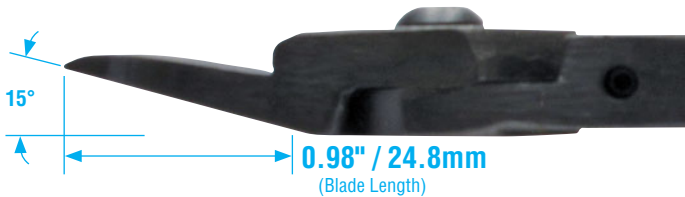
Ultra sharp head at 15° with 25° jaw, super flush.

Quick#	Part#	Overall Length	Max. Blade Opening	Price
A453	S72E	7.85" / 199.3mm	1.875" / 47.6mm	\$71.98



Oval slim head at 15° with 35° jaw, super flush.

Quick#	Part#	Overall Length	Max. Blade Opening	Price
A454	S77E	7.85" / 199.3mm	1.8" / 45.7mm	\$62.37



Blades shown normally open

Gate Cutters



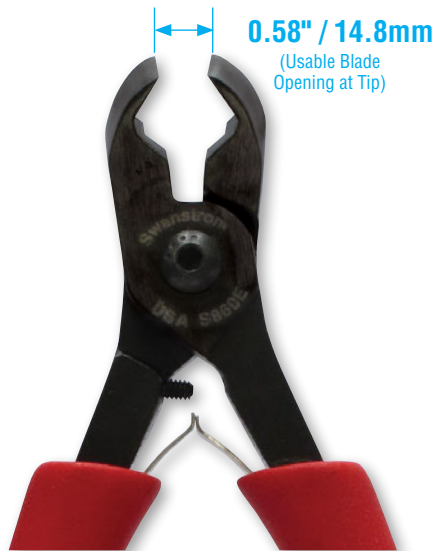
Oval head at 45°, full flush. High leverage end nipper.

Quick#	Part#	Overall Length	Max. Blade Opening	Price
A455	S845E	7.95" / 201.9mm	1.60" / 40.6mm	\$64.76



Oval head at 60°, full flush. High leverage end nipper.

Quick#	Part#	Overall Length	Max. Blade Opening	Price
A456	S860E	7.65" / 194.3mm	1.5" / 38mm	\$64.76



Blades shown normally open

Gate Cutters



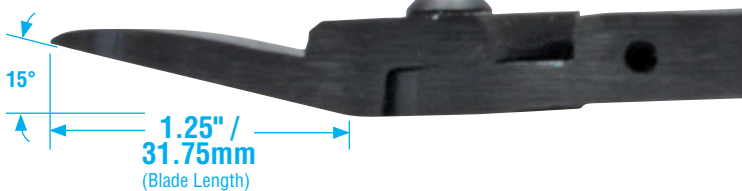
Oval head at 90°, full flush. High leverage end nipper.



Quick#	Part#	Overall Length	Max. Blade Opening	Price
A457	S890E	7.33" / 186.1mm	1.25" / 31.7mm	\$64.76



Oval slim head at 15° with 35° jaw, super flush.



Quick#	Part#	Overall Length	Max. Blade Opening	Price
A458	S88E	8.05" / 204.4mm	1.46" / 37mm	\$64.76

Blades shown normally open

Gate Cutters



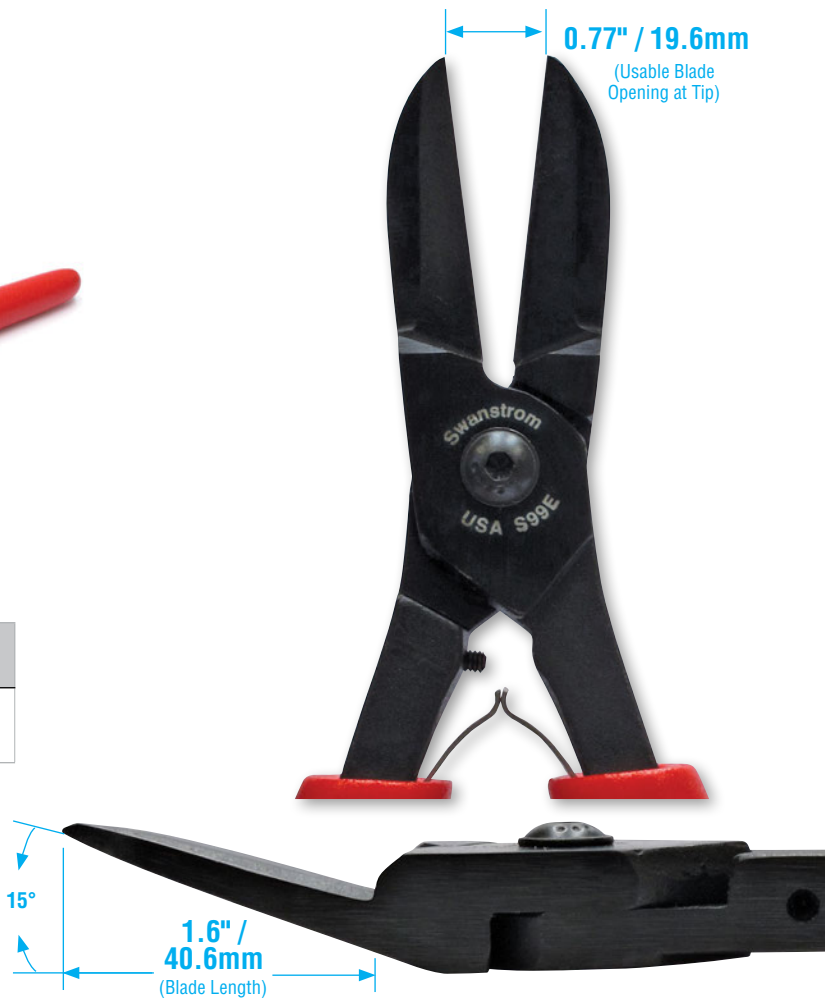
Oval slim head at 40° with 35° jaw, super flush.

Quick#	Part#	Overall Length	Max. Blade Opening	Price
A459	S88E-40	7.76" / 197.1mm	1.21" / 30.7mm	\$64.76



Oval slim head at 15° with 35° jaw, super flush.

Quick#	Part#	Overall Length	Max. Blade Opening	Price
A460	S99E	9.75" / 247.6mm	1.41" / 35.8mm	\$71.98



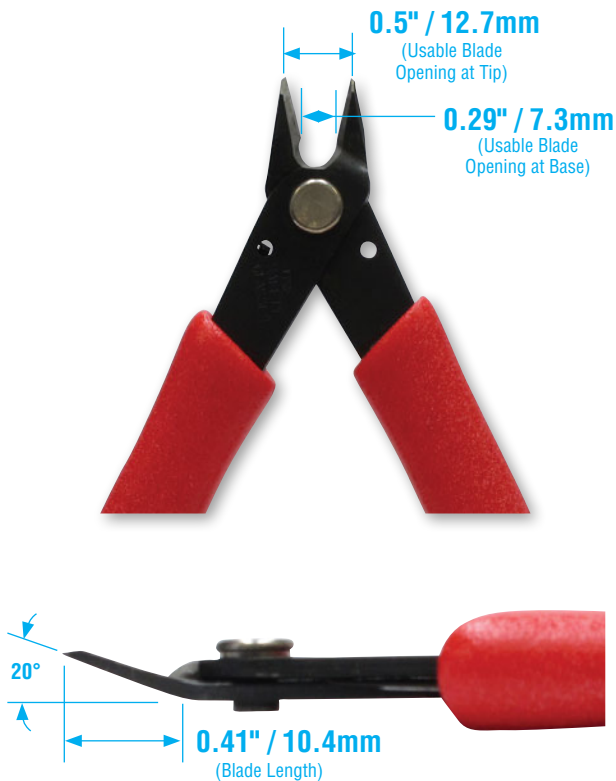
Blades shown normally open

Gate Cutters



Tapered head at 15° with 60° jaw, micro shear.

Quick#	Part#	Overall Length	Max. Blade Opening	Price
A461	170JC	5.41" / 137.4mm	0.31" / 7.8mm	\$7.77



Oval tapered head at 20° with 35° jaw, full flush, no bevel.

Quick#	Part#	Overall Length	Max. Blade Opening	Price
A446	S65-1055	5.40" / 137.1mm	0.75" / 19mm	\$9.30

Blade shown fully open

Economy, Long Life Gate Cutters

Features:

- A great cutter at a low cost.
- Drop forged from high quality alloy steel.
- Low price does not indicate cheap quality.
- Delivers 15,000 cuts before needing re-sharpening.
- Some models available with adjustable stop.
- Coil spring return provides fast smooth action and improves productivity.
- Induction hardened cutting edge.
- Black oxide, anti-glare finish reduces visual fatigue and corrosion.
- Soft touch static dissipative anti-fatigue foam grips.



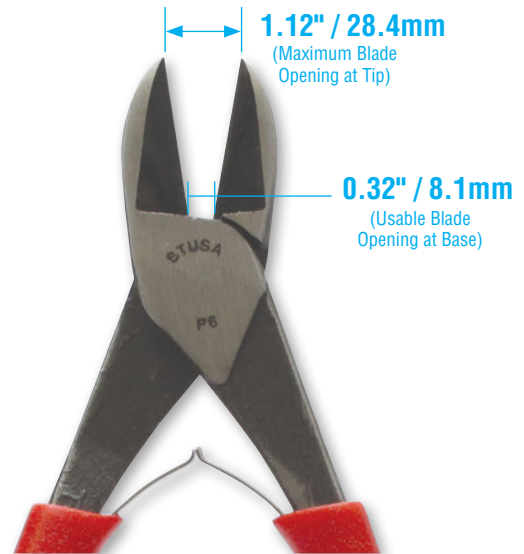
Oval slim head 15° with 55° jaw, full flush.

Quick#	Part#	Overall Length	Price
A463	P5	5.5" / 139.7mm	\$23.20



Oval slim head at 15° with 50° jaw, full flush.

Quick#	Part#	Overall Length	Price
A464	P6	6.5" / 165mm	\$26.18



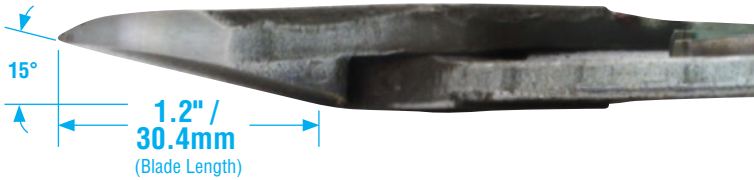
Blades shown fully open

Economy, Long Life Gate Cutters



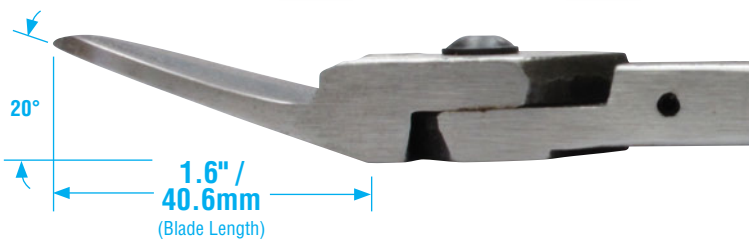
Oval slim head at 15° with 60° jaw, full flush.

Quick#	Part#	Overall Length	Price
A465	P7	7.5" / 190.5mm	\$30.12



Oval slim head at 20° with 60° jaw, full flush.

Quick#	Part#	Overall Length	Price
A467	P9	9.5" / 241.2mm	\$55.61



EMI Corp. Order Terms and Conditions

Acceptance: Sales by EMI Corp and its subsidiaries and divisions ("EMI") are expressly limited to these Terms and Conditions. All orders are subject to approval by EMI. Any purchase order, acknowledgement or other communication submitted by the Buyer which contains additional or contrary terms and conditions of sale are rejected.

Prices: Quoted prices are effective for 30 days from date of quotation; thereafter, prices are subject to change without notice. Prices listed in EMI's catalogs are current at time of publication and are subject to change without notice. Unless otherwise indicated, quantity discounts are offered only for like units ordered at the same time, on a single purchase order, for shipment per our standard delivery schedule. Any local, state or federal tax levied on the sale will be added to the purchase price and paid by the Buyer. Any portion of the price not paid when due will bear interest from the due date at the rate of 12% per annum or at the next lowest annual percentage rate as is permissible under any applicable usury law.

Terms: All orders are subject to credit approval by EMI. For orders [and multiple purchase orders constituting a project] less than \$20,000: Net 30 Days. For orders [and multiple purchase orders constituting a project] over \$20,000: 30% down with order, 70% net 30 days.

Cancellation: Orders may not be cancelled without EMI's prior written consent.

Shipment Schedule: All shipping dates are approximate. Shipment shown is based on available inventory, and engineering and production schedules at time of quotation. A better estimate of lead-times will be given at time of order placement. EMI will not be liable for any damage, loss of profit, or expenses arising out of delays in shipment or other nonperformance of this transaction caused by or imposed by (a) strikes, fires, disasters, riots, acts of God, (b) acts of Buyer, (c) shortages of labor, fuel, power, materials, supplies, transportation or manufacturing facilities, (d) government action, (e) subcontractor delay or (f) any other cause or condition beyond EMI's reasonable control. Additionally, EMI assumes NO responsibility for delivery performance, cost surcharges, or other fees imposed by a carrier, whether selected by Buyer or EMI.

Shipment: Shipment of products is ExW (ex-works), EMI facility, Jackson Center OH, or EMI facility, Wickliffe, OH. Packages weighing less than 75lbs. are shipped via small parcel service, pre-paid via EMI carrier of choice and added to the invoice unless otherwise specified. Shipments weighing over 75lbs., or oversized, are shipped Freight Collect via truck (common carrier) unless otherwise specified and agreed to by EMI. All shipments will be insured at the buyer's cost for the full value of the shipment unless buyer expressly waives insurance coverage in writing prior to shipment. All claims of shortages, defects or rejections must be made by the Buyer in writing within 15 days after receipt of the shipment. Claims of damage must be made to the carrier in accordance with its procedures.

Notes:

- (1) Shipments more than 75lbs. or shipments that are oversized are generally fully crated and/or skid mounted - dependent upon size and quantity.
- (2) In cases of skid or crate shipments, Buyer should specify a freight carrier with whom Buyer has an established account. Failure to specify a carrier can result in shipment delays or require payment to freight

- company before equipment can be unloaded at Buyer's dock.
- (3) EMI assumes no responsibility for shipments delayed or those received "Driver Collect" due to a trucking company not being specified by Buyer.
- (4) Truck shipments shipped Freight Prepaid and charged back will be invoiced to Buyer on a separate Freight Invoice plus a 10% handling fee with terms of net 15 days.

Delivery Loss and Damage Claims:

All claims must be made within 10 days of delivery. Claims must be filed with the freight carrier and must be initiated by the party who is responsible for payment of freight – EMI for Prepaid terms, the Buyer for Collect or Receiver terms. EMI will attempt to assist in the resolution of freight claims but shall not assume responsibility for Collect/Receiver initiated claims. Freight carriers may require shipping charges to be paid before issuing a credit on a claim and does not relieve the responsible party for payment of freight charges.

Proof of delivery requests must be received within 90 calendar days of shipment. After 90 days of shipment, the Buyer waives its right to dispute delivery of goods and agrees not to withhold payment against alleged non-delivery.

Export Control: Buyer acknowledges that EMI's products are subject to U.S. export controls and economic sanctions laws and regulations. Buyer agrees not to export, re-export, or retransfer EMI's products to any entity subject to US sanctions, embargoes, or trade restrictions, and to comply with all applicable U.S. export controls and economic sanctions laws and regulations regarding EMI products.

Export Shipment:

Buyer is responsible for the payment of all international shipping costs and taxes and duties including but not limited to: VAT, tariff, duty, taxes, customs clearance charges, freight forwarder fees and warehousing charges, and other charges related to international shipments. EMI is not responsible for delays due to freight transport, customs clearance, import/export holds, freight forwarder delays, or the Buyer not providing EMI necessary information for export documentation.

An Automated Export System (AES) filing is required for most exports exceeding \$2,500. An AES filing is often submitted by the U.S. Principal Party in Interest (USPPI), which is typically EMI. It can also be submitted by an authorized agent of the USPPI, such as a freight forwarder. If EMI authorizes the Buyer's freight forwarder or agent to file on behalf of EMI, EMI must receive a full copy of the AES filing submitted by the freight forwarder within three business days of receipt by the freight forwarder. If EMI does not receive a copy of the filing within three business days of shipment, EMI reserves the right to not authorize future power of attorney documentation to file the AES on behalf of EMI and to withhold further shipments pending EMI being provided all information necessary for AES filing.

Installation: Unless otherwise indicated, Buyer is solely responsible for safe installation of the equipment. In all cases, Buyer remains responsible for proper maintenance and guarding in accordance with applicable OSHA, federal, state, local, and other applicable regulations. SERIOUS BODILY INJURY OR PROPERTY DAMAGE MAY RESULT FROM IMPROPER USE, GUARDING, OR MAINTENANCE OF EMI PRODUCTS OR PRODUCTS RESOLD BY EMI.

Terms and Conditions

Limited Warranty:

Conveyor Products: Conveyors (other than belting), motors, gear reducers and other drive components are guaranteed for three years from the date of shipment to be free from defects in material and workmanship when maintained in accordance with EMI manuals and operated under the conditions for which they were designed. Belting is guaranteed for 90 days under the same conditions.

EOAT Products: EMI, Gimatic, and Senvex EOAT products are guaranteed for 1 year from the date of shipment to be free from defects in material and workmanship when maintained in accordance with their respective product manuals and operated under the conditions for which they were designed. Wear items such as, but not limited to; vacuum cups, nipper blades, air hand expanders and inflators are not warranted.

Injection Molding Supplies: EMI manufactured accessory products for injection machines are guaranteed for 1 year from the date of shipment to be free from defects in material and workmanship when maintained in accordance with their respective product manuals and operated under the conditions for which they were designed. Wear and consumable items such as, but not limited to; non-return valves, nozzles, gate cutters, mold spray, oil sorbent, oil filters, etc. are not warranted.

Third party equipment or components are not warranted except where specified, but any third party warranties are, to the extent permitted, passed through to the Buyer. Damage, due to abuse, accident, misuse, modification, improper installation or maintenance, or improper electrical or mechanical applications are not covered by the Limited Warranty.

Furthermore, this Limited Warranty shall be void and of no effect whatsoever in the event the equipment is not used in accordance with and/or for the purpose provided, or if damages by reason of abnormal weather conditions, acts of God, falling objects, explosions, fire, riots, civil commotion, external forces, faulty or inadequate installation, acts of war, radiation, harmful fumes or foreign substances in the atmosphere, floods or use in structures not in accordance with accepted engineering standards.

Any claim for breach of the Limited Warranty must be made and presented to EMI in writing within a period of thirty (30) days following the discovery of the alleged defect, failing which the foregoing Limited Warranty shall be void and of no effect whatsoever. Alleged defective products shall be returned to EMI for inspection. Buyer must receive written authorization from EMI before returning any products and Buyer shall ship the products to EMI freight pre-paid at Buyer's expense. Authorization to return products is for purposes of inspection and shall not constitute acceptance of a product defect. Returned products must be suitably crated or packaged by the Buyer to prevent damage. EMI will inspect the returned products for defect. If inspection reveals a defect, Buyer's sole recourse for breach of warranty is the repair or replacement of defective products or the return of purchase price, at EMI's sole discretion. Repaired or replaced products are returned to the Buyer at no charge. If inspection reveals no defect, EMI will return the product to the Buyer at the Buyer's expense.

EMI MAKES NO OTHER WARRANTIES, EXPRESS OR IMPLIED, WITH RESPECT TO THE EQUIPMENT OR THE USE OF THE EQUIPMENT OR THE PERFORMANCE OF THE EQUIPMENT. EMI SPECIFICALLY MAKES NO WARRANTY OF MERCHANTABILITY OR FITNESS FOR A PARTICULAR PURPOSE. EMI NEITHER ASSUMES, NOR AUTHORIZES ANY PERSON TO ASSUME FOR IT, ANY WARRANTY NOT SPECIFICALLY PROVIDED HEREIN.

Limitation of Liability: EMI's liability under this transaction will not exceed the purchase price. **EMI IS NOT LIABLE FOR ANY CONSEQUENTIAL, SPECIAL OR INCIDENTAL DAMAGES ARISING OUT OF OR RELATING DIRECTLY OR INDIRECTLY TO THIS TRANSACTION OR AS A RESULT OF THE SALE OF PRODUCTS OR EQUIPMENT, A BREACH OF THE WARRANTY PROVIDED HEREIN OR ANY USE OR MISUSE OF THE PRODUCTS OR EQUIPMENT.**

Indemnification: Buyer agrees to indemnify and hold EMI harmless and defend EMI from and against all liability and expense based upon bodily injury, property damage or economic loss, arising, directly or indirectly, from the production, sale, re-sale, transportation, storage or the use of products sold by the Buyer, except as caused by the sole negligence of EMI.

Returns: Buyers may request a product be returned to EMI for credit of purchase price. A material return number (RMA#) must be obtained before any products may be sent back to EMI. Buyer understands that obtaining an RMA number does not constitute EMI's acceptance of the return. Buyer may return the products via freight carrier of their choice, and shipping must be at Buyers cost (pre-paid).

Buyer must package the products suitably to prevent damage to the products being returned. An inspection of the returned products will be conducted to determine if full or partial credit will be issued against the original purchase price. If the item is returned in the same condition as it was originally sent, and sealed in the original packaging that it was shipped from EMI a re-stocking fee or other credit adjustment is typically waived. Built to order, customized, and non-standard or other non-stock parts including but not limited to alterations to the product that Buyer make are subject to a re-stocking fee and may not qualify for return credit.

Law: This transaction is governed and construed in accordance with the laws of the State of Ohio (exclusive of any conflict of laws provision) and the Buyer consents and submits to the jurisdiction of any state court located in Shelby County, Ohio. If any provision of these Terms and Conditions is deemed to be held invalid, illegal, unenforceable, or inoperative, the balance of these Terms and Conditions will remain in full force and effect as if such revision had not been included.

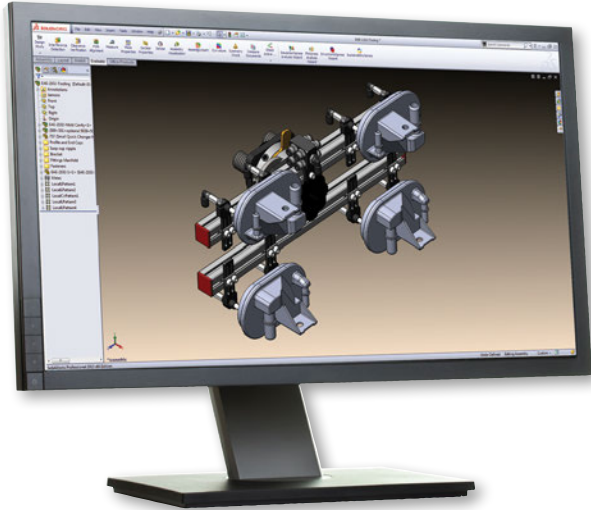
(rev. 4/20/2021)

[Click here to download our Credit Application!](#)

EMI End-of-Arm Tooling Design and Build Service

From the simplest to the most complex toolings, our EOAT engineers can design a tooling to suit your specific application.

Save time and money. Have EMI's EOAT engineers design your end-of-arm tooling. You'll get 3D CAD renderings of the design. We'll also provide pricing for the tool should you want to purchase the completely assembled EOAT from EMI. Whether or not you purchase the tool from EMI, there's no cost or obligation to you for the engineering design service.



Building it yourself doesn't mean you are on your own.

Design assistance is meant to suggest a possible design assembly, so there may be some tweaks and modifications to be made once you have built the tooling. It is important to carefully test the EOAT at the machine to be certain that it works properly and that there are no interferences that may damage either the mold or the EOAT. Our engineers will work with you to make sure your tooling is built and working accurately.

Send files to: EOATengineering@EMInc.com or upload them to our website.

EOAT designs typically take 2-4 weeks from the time we have all the required information.

EMI Custom Engineers to your Application

EMI conveyors and automation systems are designed utilizing modern 3D CAD solid-model engineering coupled with 50 years of experience.

EMI provides quality, custom automation solutions for the plastics molding industry. Whether you need a single automation cell or a lights out, plant-wide system EMI will design and build an automation system that meets your requirements and exceeds your expectations.

Getting started is easy. If you have a concept in mind just fill out the appropriate datasheets and send them to us or contact us to have a EMI sales engineer come to your facility to meet with you to discuss your application.

To get your free quote, begin by completing the appropriate quote forms and sending them to Sales@EMInc.com or call a EMI representative at 216-535-4848.





216-535-4848 / Sales@EMlcorp.com

Easy Online Shopping

- Narrow your search with drop-downs
- Easily find related items and spare parts
- Find technical specifications, dimensional drawings, and CAD file downloads on individual product pages



Sales & Design Engineering

Sales@EMlcorp.com
 EOATEngineering@EMlcorp.com
 Cobots@EMlcorp.com
 Phone: 216-535-4848
 28300 Euclid Ave. Wickliffe, Ohio 44092



Manufacturing & Administrative Offices

Phone: 937-596-5511
 801 West Pike Street,
 Jackson Center, Ohio 45334



EMI Mexico

Ventas@EMlcorp.com
 Teléfono: +52 (442) 349-7646
 Avenida Industria de la Construcción #511 Int. 5,6,7
 Parque Industrial Querétaro
 Santa Rosa de Jáuregui, Querétaro 76220