

<p>EMI PLASTICS EQUIPMENT 427 W. PIKE ST., JACKSON CENTER, OH 45334</p>		
CUSTOMER APPROVAL AND DATE	DRAWN BY	SHEET 1 OF 6
SIGNATURE	TITLE	
DATE	SCALE 1:16	DRAWING NUMBER
	DATE	

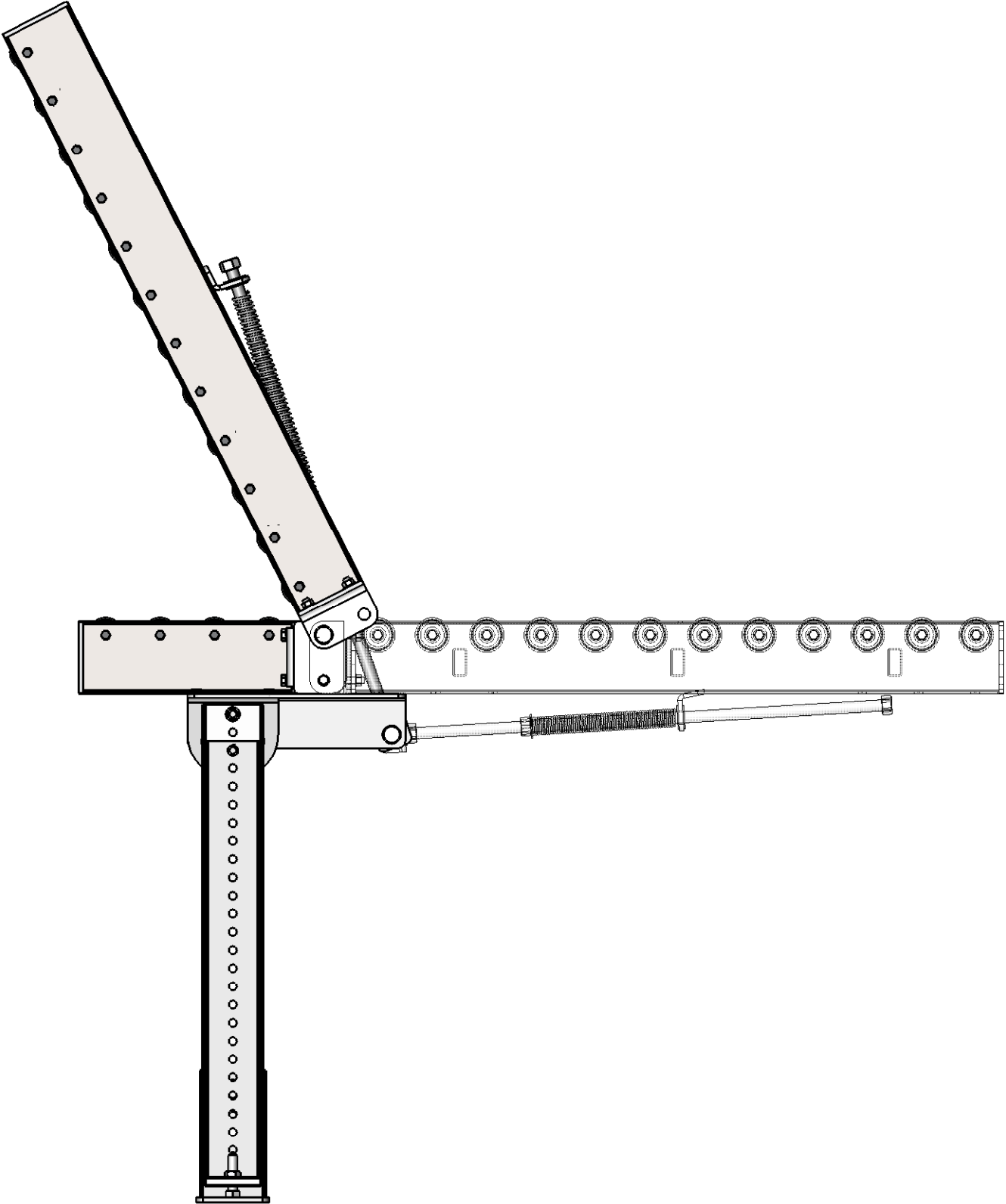
ISOMETRIC VIEW



EMI PLASTICS EQUIPMENT
427 W. PIKE ST., JACKSON CENTER, OH 45334

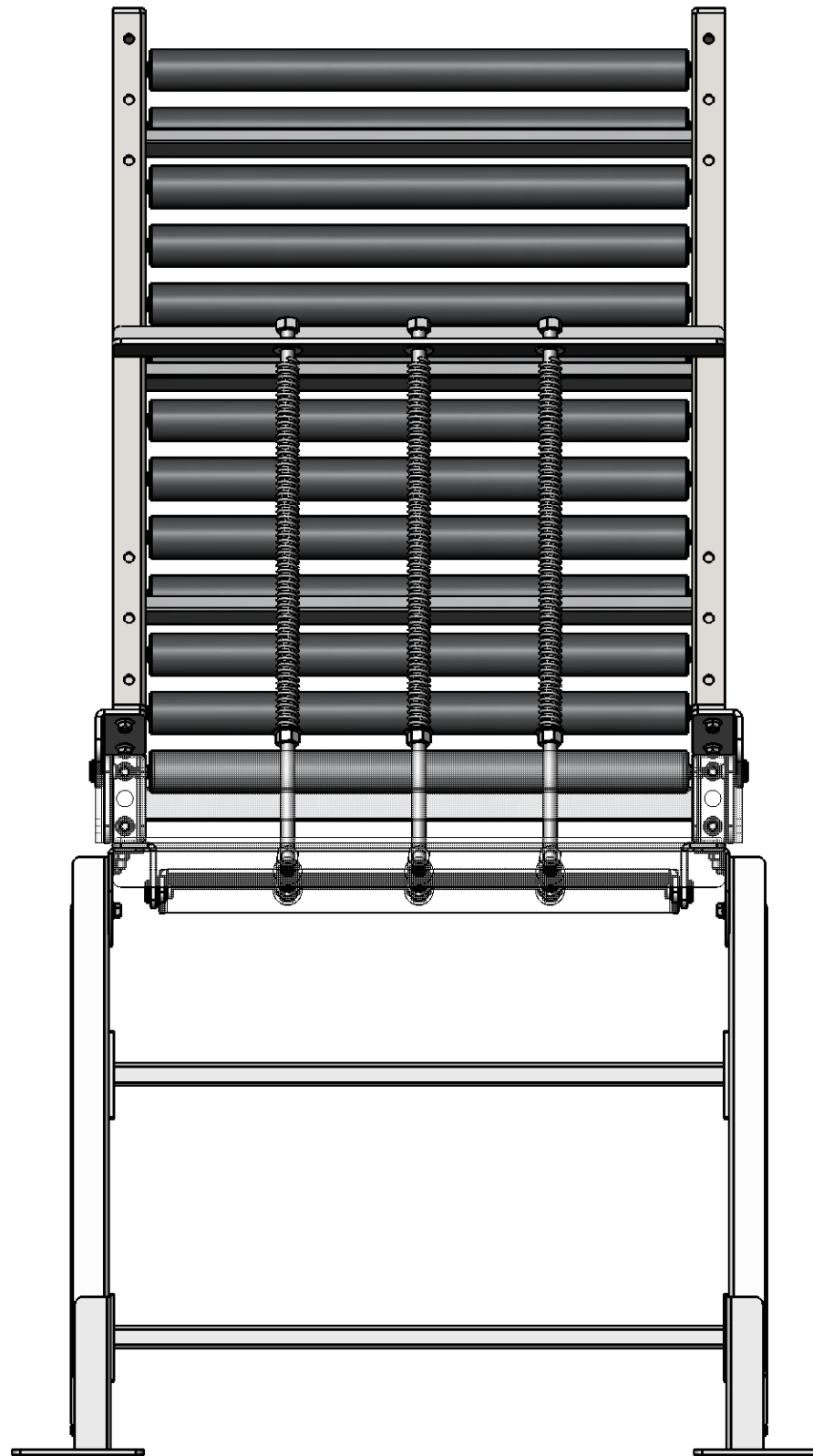
CUSTOMER APPROVAL AND DATE	APPLICATIONS ENGINEERING	
	DRAWN BY	SHEET 2 OF 6
SIGNATURE	TITLE	
DATE	SCALE 1:8	DRAWING NUMBER
	DATE	

FRONT VIEW



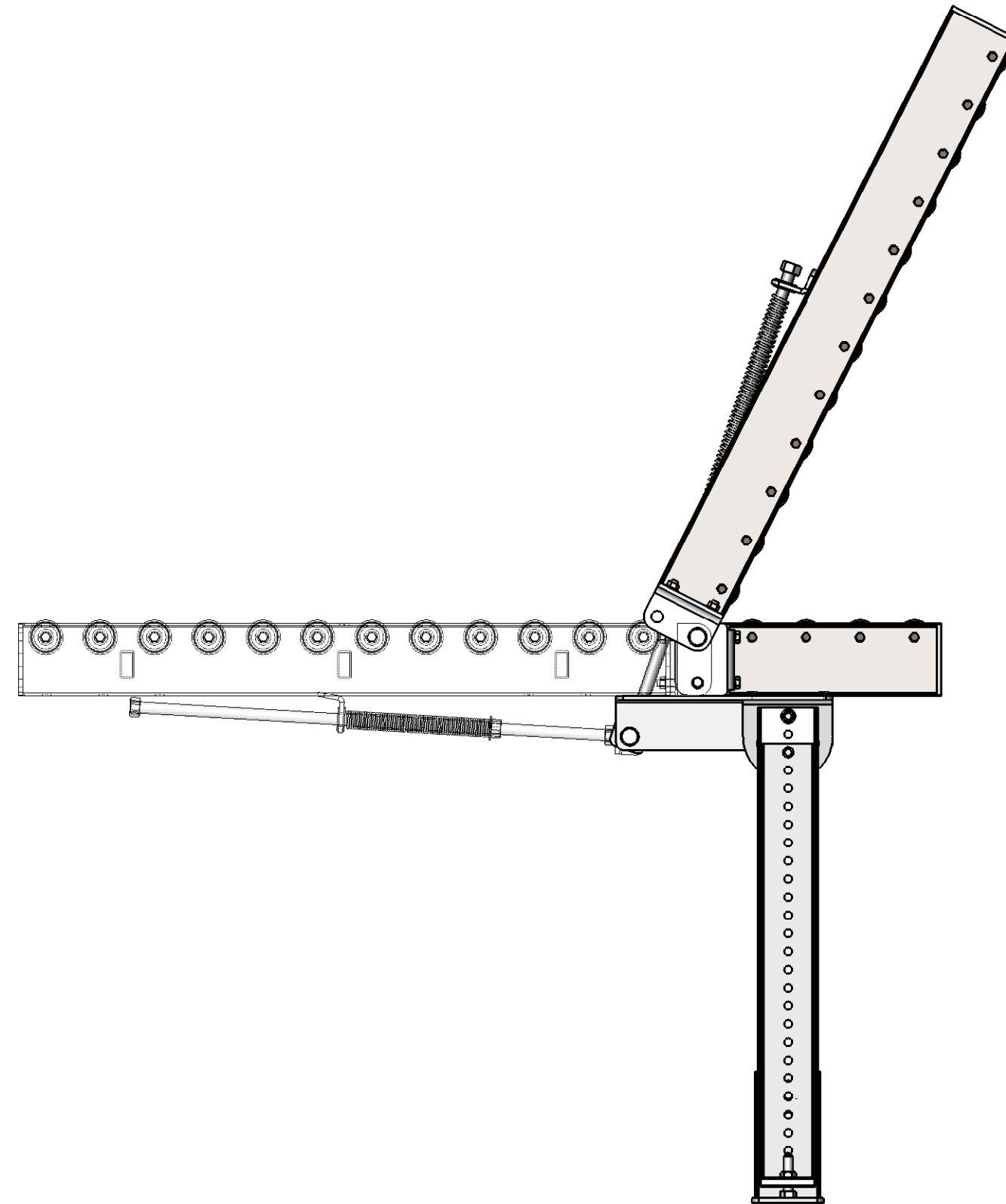
EMI PLASTICS EQUIPMENT	
427 W. PIKE ST., JACKSON CENTER, OH 45334	
CUSTOMER APPROVAL AND DATE	APPLICATIONS ENGINEERING
_____	DRAWN BY _____ SHEET 3 OF 6
SIGNATURE	TITLE
_____	SCALE 1:8 DRAWING NUMBER
DATE	DATE

RIGHT VIEW



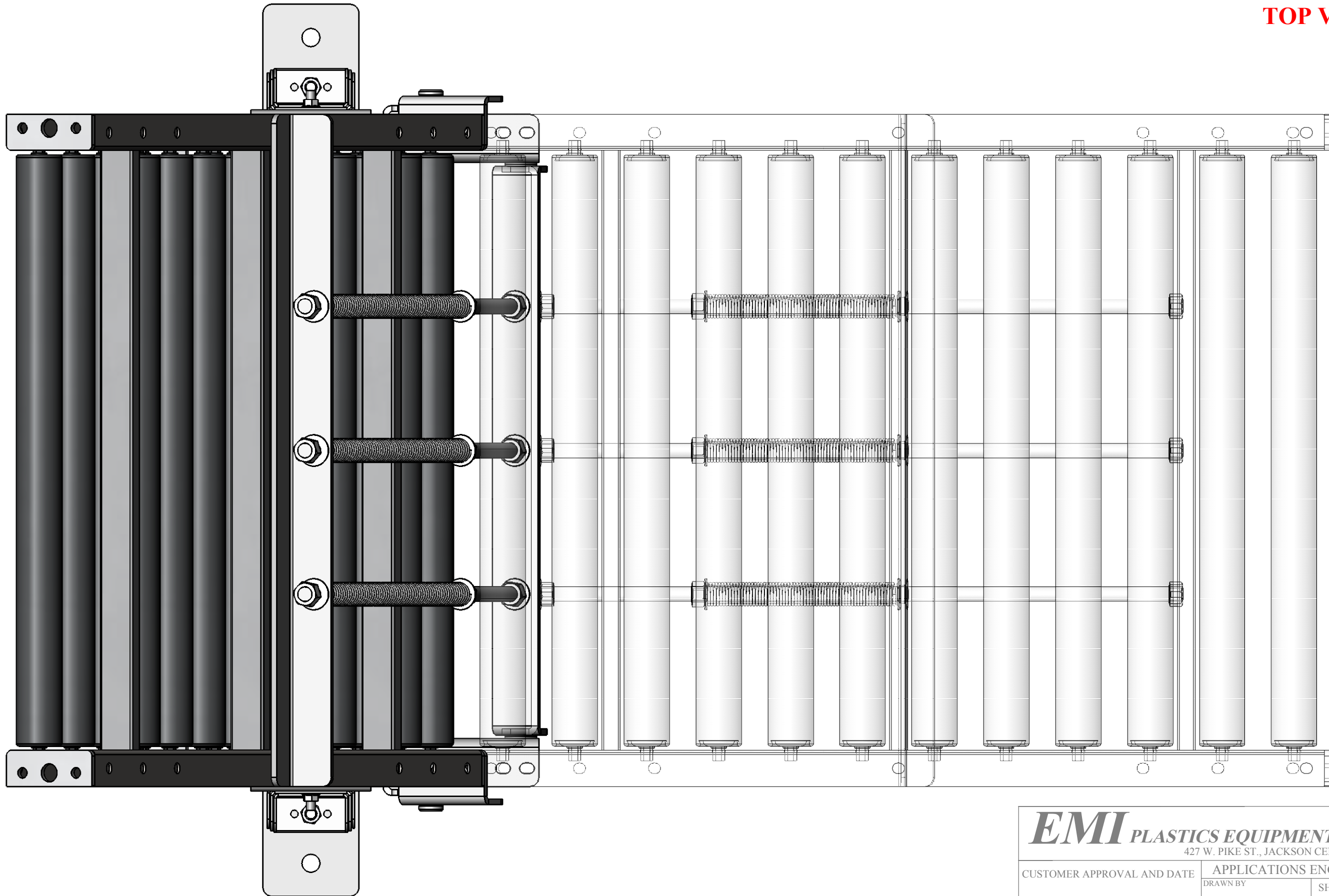
EMI PLASTICS EQUIPMENT	
427 W. PIKE ST., JACKSON CENTER, OH 45334	
CUSTOMER APPROVAL AND DATE	APPLICATIONS ENGINEERING
_____	DRAWN BY _____ SHEET 4 OF 6
SIGNATURE	TITLE
_____	SCALE 1:8 DRAWING NUMBER
DATE	DATE

BACK VIEW



EMI PLASTICS EQUIPMENT	
427 W. PIKE ST., JACKSON CENTER, OH 45334	
CUSTOMER APPROVAL AND DATE	APPLICATIONS ENGINEERING
_____	DRAWN BY _____ SHEET 5 OF 6
SIGNATURE	TITLE
_____	SCALE 1:8 DRAWING NUMBER
DATE	DATE

TOP VIEW



EMI PLASTICS EQUIPMENT
427 W. PIKE ST., JACKSON CENTER, OH 45334

CUSTOMER APPROVAL AND DATE	APPLICATIONS ENGINEERING	
	DRAWN BY	SHEET 6 OF 6
SIGNATURE	TITLE	
DATE	SCALE 1:4	DRAWING NUMBER
	DATE	