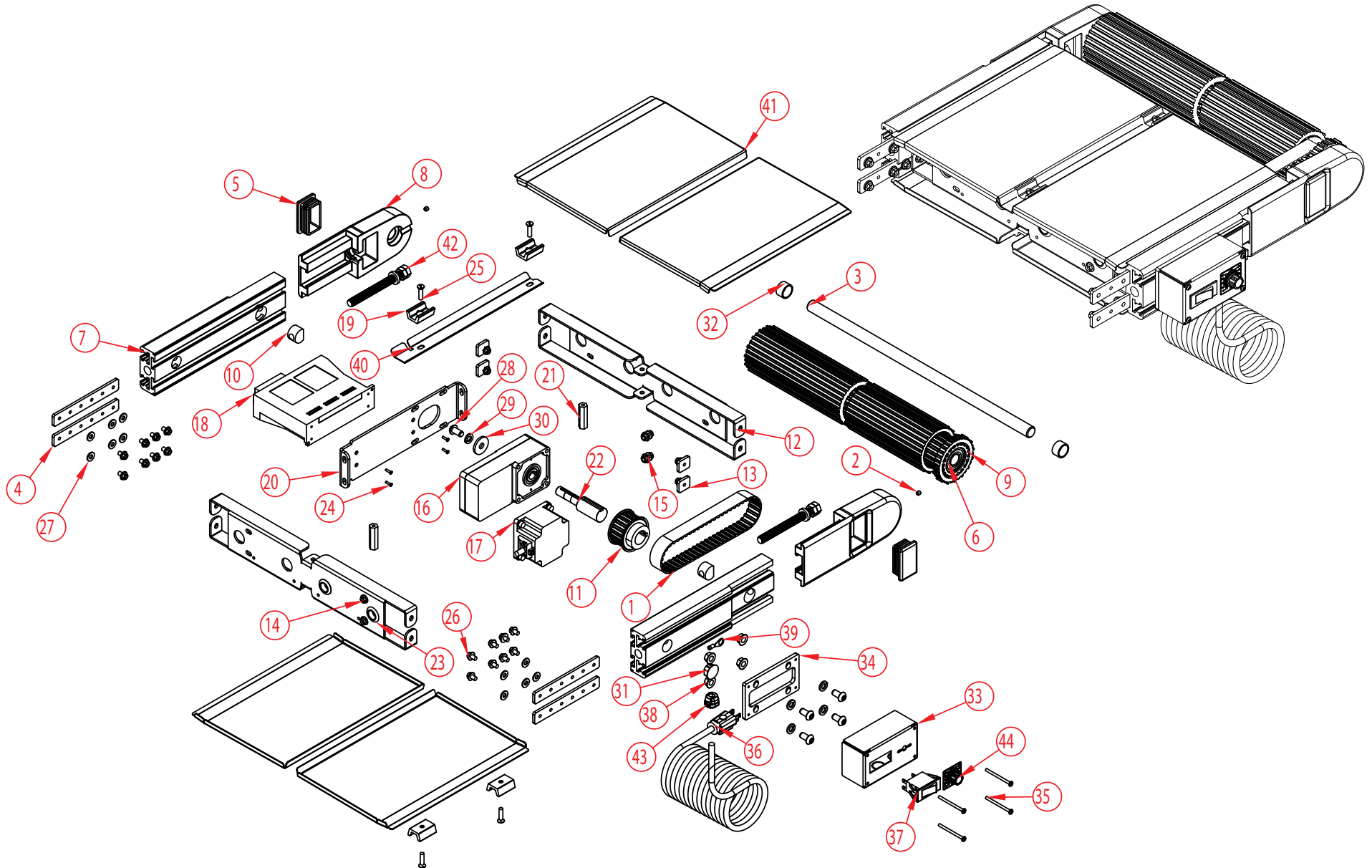


## EA Internal Timing Belt Drive - Assembled and Exploded View



Section VIII. Parts Lists and 3-D Drawings

**EA Internal Timing Belt Drive - Parts List**

|    | QTY. | PART NO.       | DESCRIPTION   |    | QTY. | PART NO.            | DESCRIPTION   |
|----|------|----------------|---|----|------|---------------------|---|
| 1  | 1    | CP-4516        | TIMING BELT 3/8" PITCH 1" WIDE 21"                  | 23 | 2    | CP-2376             | RUBBER GROMMET  |
| 2  | 2    | CP-350         | SOCKET HEAD SET SCREW .250-20 x .250                | 24 | 4    | CP-7790             | M3 x 12 SST HEX SOCKET FH                             |
| 3  | 1    | 2X-21-1-W (CF) | TAIL SHAFT FOR EA CONVEYOR                          | 25 | 4    | CP-259              | SLOTTED FLAT HEAD SCREW .250-20 x 1.000               |
| 4  | 4    | 2X-27-4        | FRAME CONNECTION PLATE                              | 26 | 20   | CP-4564             | HEX SERRATED FLANGE SCREW 0.250-20x0.375" ZINC PLATED |
| 5  | 2    | CP-3532        | PLASTIC CAP 1.500x2.500 RECTANGLE                   | 27 | 12   | CP-654              | FLAT WASHER .250 SAE                                  |
| 6  | 2    | CP-4592        | 20MM BALL BEARING SELF ALIGNING                     | 28 | 5    | CP-4533             | 3/8-16 X 3/4" BLACK OXIDE TORX BUTTON CAP SCREW       |
| 7  | 2    | 2X-44-2-2      | FRAME SIDE FOR DRIVE HEAD                           | 29 | 5    | CP-3345             | LOCK WASHER .375 SPLIT RING                           |
| 8  | 2    | 2X-14-1-1      | TAKE-UP BRACKET FOR EXTRUDED                        | 30 | 1    | CP-3393             | 3/8" FLAT WASHER                                      |
| 9  | 1    | 2X-10-1-W (CF) | DRIVE PULLEY FOR EA CONVEYOR                        | 31 | 2    | CP-4428             | HEYCO BLACK CAP                                       |
| 10 | 2    | 2X-55-1        | TAKE-UP NUT FOR EA CONVEYOR                         | 32 | 2    | CR-31-27-14         | 25mm O.D. DRIVE SHAFT SPACER                          |
| 11 | 1    | 2X-10-2        | 19 TOOTH L SERIES TIMING PULLEY                     | 33 | 1    | 2X-12-4             | ENCLOSURE FOR ON/OFF SWITCH                           |
| 12 | 2    | 2X-41-2-W (CF) | FRAME BRACE FOR DRIVE HEAD                          | 34 | 1    | 2X-14-3             | MOUNTING BRACKET FOR ON/OFF                           |
| 13 | 4    | 2X-27-5-100    | INSIDE FRAME NUT                                    | 35 | 4    | CP-4588             | #8-32 x 2-1/4" PAN HEAD SCREW                         |
| 14 | 4    | CP-3067        | HEX SERRATED FLANGE SCREW 0.250-20x0.5" ZINC PLATED | 36 | 1    | 2E-263-1            | 15' POWER CORD  |
| 15 | 4    | CP-3068        | HEX FLANGE NUT 0.25-20                              | 37 | 1    | EL-3445             | ETA CIRCUIT PROTECTION AND SWITCH                     |
| 16 | 1    | CP-4541        | 50:1 RIGHT ANGLE ORIENTAL REDUCER                   | 38 | 4    | CP-3299             | SERRATED FLANGE NUT 0.375-16 BLACK OXIDE              |
| 17 | 1    | EL-3443        | ORIENTAL MOTOR #BLEM46-GFS                          | 39 | 1    | EL-308              | RING TERMINAL 14-16 AWG, 3/8 (STUD)                   |
| 18 | 1    | EL-3444        | ORIENTAL DRIVER #BLED6A                             | 40 | 1    | 2X-45-11            | SLIDE BED WATER GUARD                                 |
| 19 | 4    | 2X-19-1        | SLIDE BED RETAINER OR CLAMP                         | 41 | 4    | 2X-45-1-W-1300 (CF) | SLIDE BED FOR STANDARD FRAME                          |
| 20 | 1    | 2X-29-1-2      | INSIDE MOTOR SUPPORT                                | 42 | 2    | 2X-232-1            | WELDMENT FOR TAKE-UP BOLT                             |
| 21 | 2    | 2X-55-3        | SLIDE TRAY HOLD DOWN NUT                            | 43 | 2    | EL-7245             | CORD GRIP   |
| 22 | 1    | 2X-21-5        | SINGLE OUTPUT SHAFT FOR EA CONVEYOR                 | 44 | 1    | EL-2199             | KNOB/DIAL KIT K.B. PART # 9815                        |