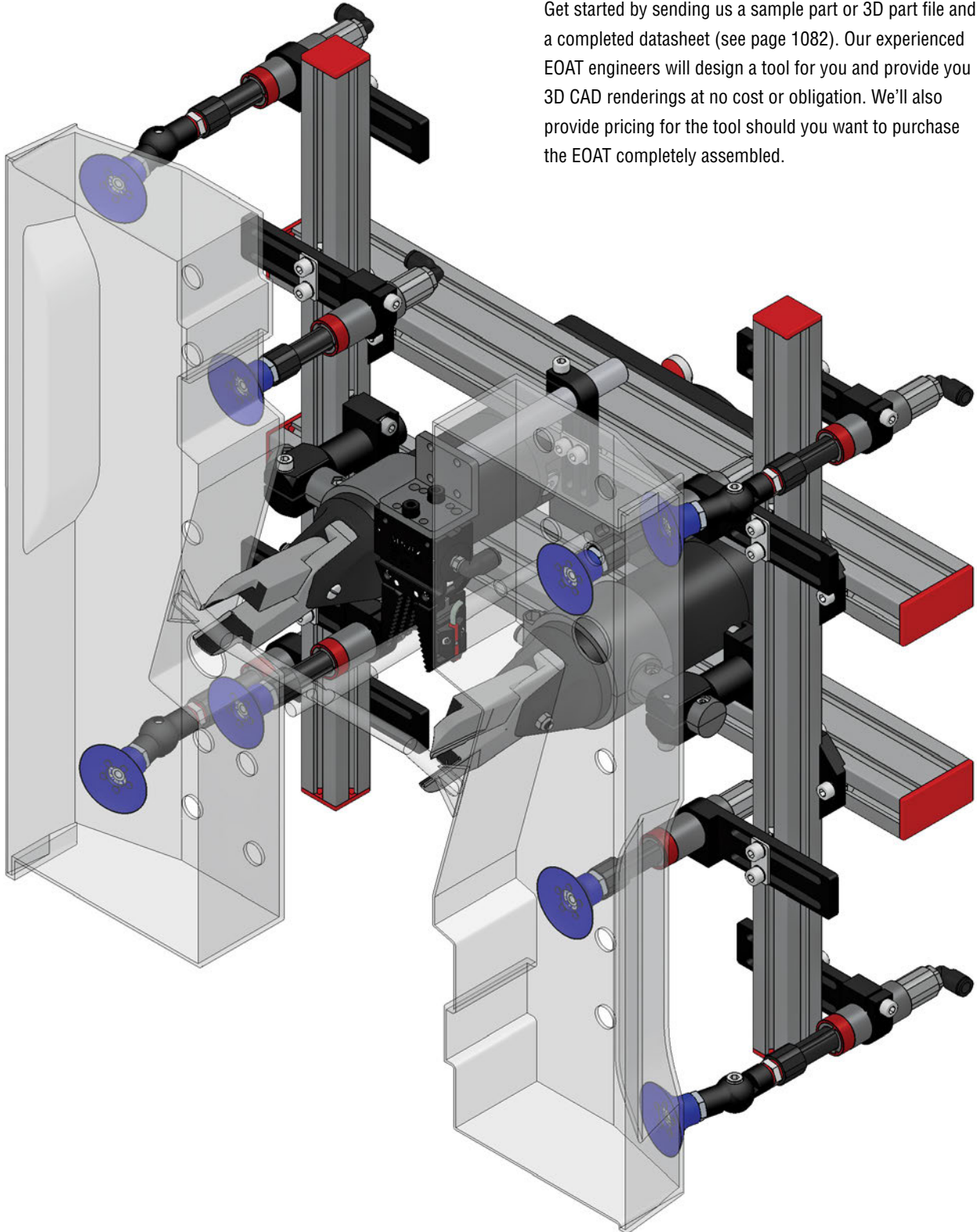


EOAT Design and Build Service

From the simplest to the most complex EOAT, EMI specializes in designing and building customized End-of-Arm-Tooling— **Priced Competitively.**

Get started by sending us a sample part or 3D part file and a completed datasheet (see page 1082). Our experienced EOAT engineers will design a tool for you and provide you 3D CAD renderings at no cost or obligation. We'll also provide pricing for the tool should you want to purchase the EOAT completely assembled.



Gimatic Framing Overview**Profile**

p.230

**Angle Connector**

p.235

**End Joint Connector**

p.236

**Square Joint Connector**

p.238

**Cross Joint Connector**

p.239

**Threaded Mounting Bracket**

p.244

**Cross Clamp**

p.247

**Angle Clamp**

p.248

**Angle & Elbow Arms**

p.252

**Angle Clamp with Swivel**

p.255

**Angle Clamp with Ball Joint**

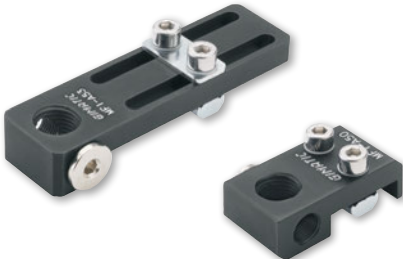
p.251

**Extensions & Centering Pins**

p.262

**Vacuum Cup Brackets**

p.260

**Arms for Vacuum Cups**

p.256

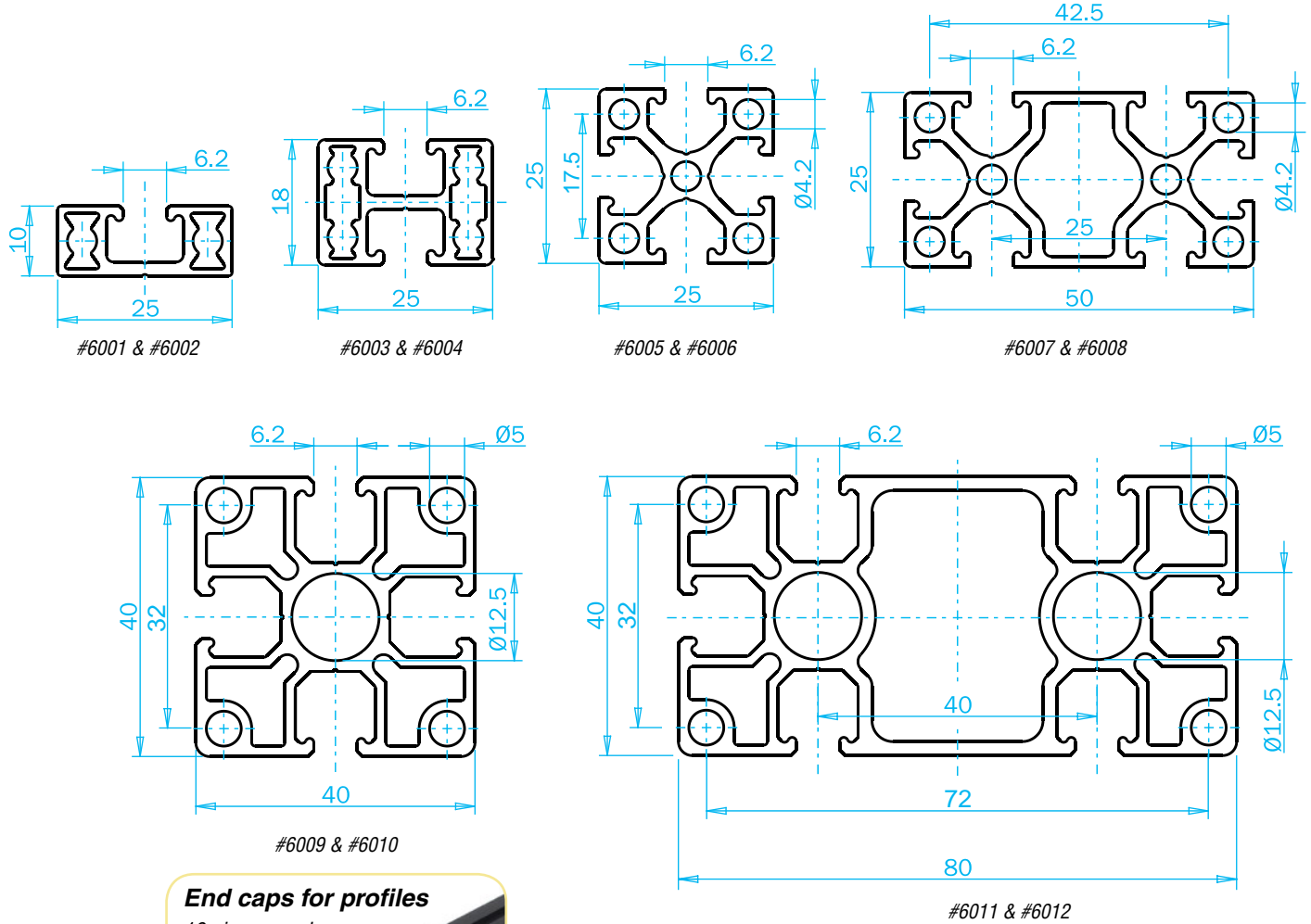
**Vacuum Accessories**

p.258



Framing Profile

(Dimensioned drawings shown at full scale)



Save on Shipping Costs!
 Order 1-meter profiles to save on shipping costs. (2-meter profiles ship oversized and will cost approximately 2½ times as much to ship compared to 1-meter profiles.)

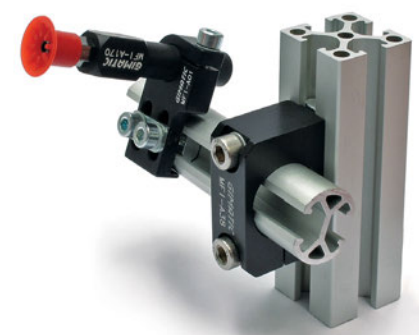
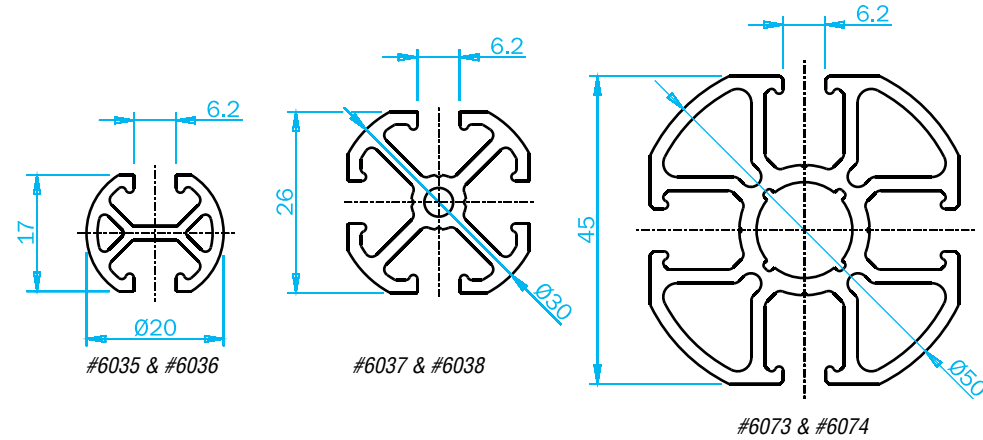
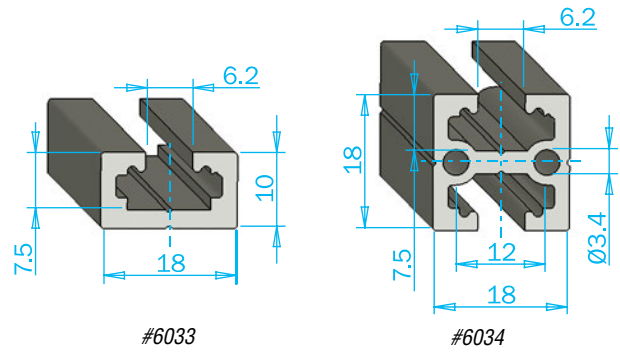
Profile (Black Anodized)				Profile (Clear Anodized) NEW					End Caps (10 pieces per bag)		
Quick#	Part#	Price	Length	Quick#	Part#	Price	Length	Wt.	Quick#	Part#	Price
6001	EMF-2510-1000	\$6.19	1m	-	Contact EMI			280g	6013	MFI-A27	\$5.09
6002	EMF-2510-2000	\$10.26	2m	-				560g	6013	MFI-A27	\$5.09
6003	EMF-2518-1000	\$7.10	1m	-				400g	6014	MFI-A28	\$5.09
6004	EMF-2518-2000	\$12.21	2m	-				800g	6014	MFI-A28	\$5.09
6005	EMF-2525-1000	\$8.59	1m	6045	EMB-2525-1000	\$8.59	1m	610g	6015	MFI-A21	\$5.09
6006	EMF-2525-2000	\$16.52	2m	6046	EMB-2525-2000	\$16.52	2m	1220g	6015	MFI-A21	\$5.09
6007	EMF-5025-1000	\$15.26	1m	6047	EMB-5025-1000	\$15.26	1m	1040g	6016	MFI-A22	\$7.33
6008	EMF-5025-2000	\$29.64	2m	6048	EMB-5025-2000	\$29.64	2m	2080g	6016	MFI-A22	\$7.33
6009	EMF-4040-1000	\$16.37	1m	6049	EMB-4040-1000	\$16.74	1m	1300g	6017	MFI-A25	\$10.70
6010	EMF-4040-2000	\$32.67	2m	6050	EMB-4040-2000	\$32.67	2m	2600g	6017	MFI-A25	\$10.70
6011	EMF-8040-1000	\$25.69	1m	6052	EMB-8040-1000	\$26.73	1m	2180g	6018	MFI-A26	\$14.29
6012	EMF-8040-2000	\$51.81	2m	6053	EMB-8040-2000	\$51.81	2m	4360g	6018	MFI-A26	\$14.29

Framing Profile

(Dimensioned drawings shown at full scale)

Light Profile (Black Anodized)

Quick#	Part#	Price	Length	Wt.
6033	EMF-1018-1000	\$7.07	1m	250g
6034	EMF-1818-1000	\$10.87	1m	380g
End Caps (10 per bag)		For Profile		
6039	MFI-A24	\$4.60	EMF-1018	2g
6040	MFI-A23	\$6.43	EMF-1818	4g



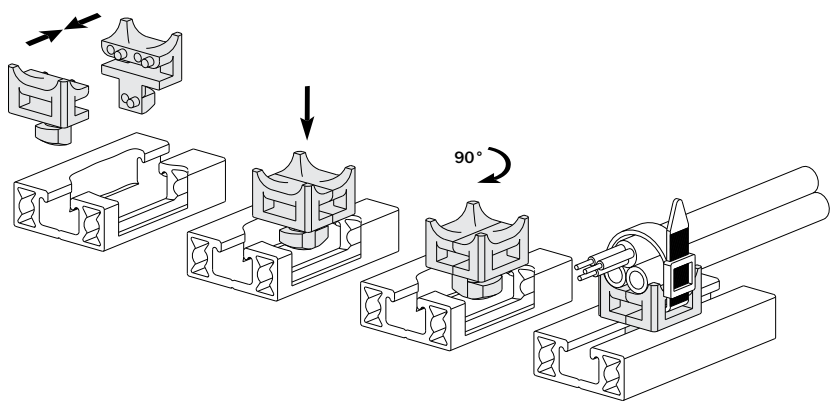
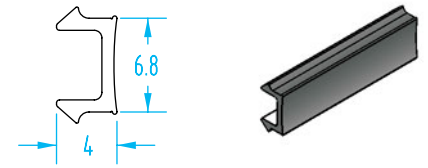
Slotted Round Profile (Silver Anodized)

Quick#	Part#	Price	Length	Profile Ø	Wt.
6035	EMB-2017-1000	\$9.83	1m	20mm	340g
6036	EMB-2017-2000	\$18.10	2m		680g
6037	EMB-3026-1000	\$19.40	1m	30mm	700g
6038	EMB-3026-2000	\$32.51	2m		1400g
6073	EMB-5045-1000	\$32.76	1m	50mm	1665g
6074	EMB-5045-2000	\$56.89	2m		3330g
End Caps (10 per bag)		For Profile Ø			
6054	MFP-K29	\$9.26	EMB-2017 - Ø20mm		2g
6055	MFP-K28	\$9.46	EMB-3026 - Ø30mm		4g
6072	MFP-K50	\$10.19	EMB-5045 - Ø50mm		6g

End caps for profiles
10 pieces per bag

Profile Channel Cover (Black PVC)

Quick#	Part#	Price	Dimensions
6084	PCC-1000	\$5.04	1m long, 6mm wide, Use with L, X, J



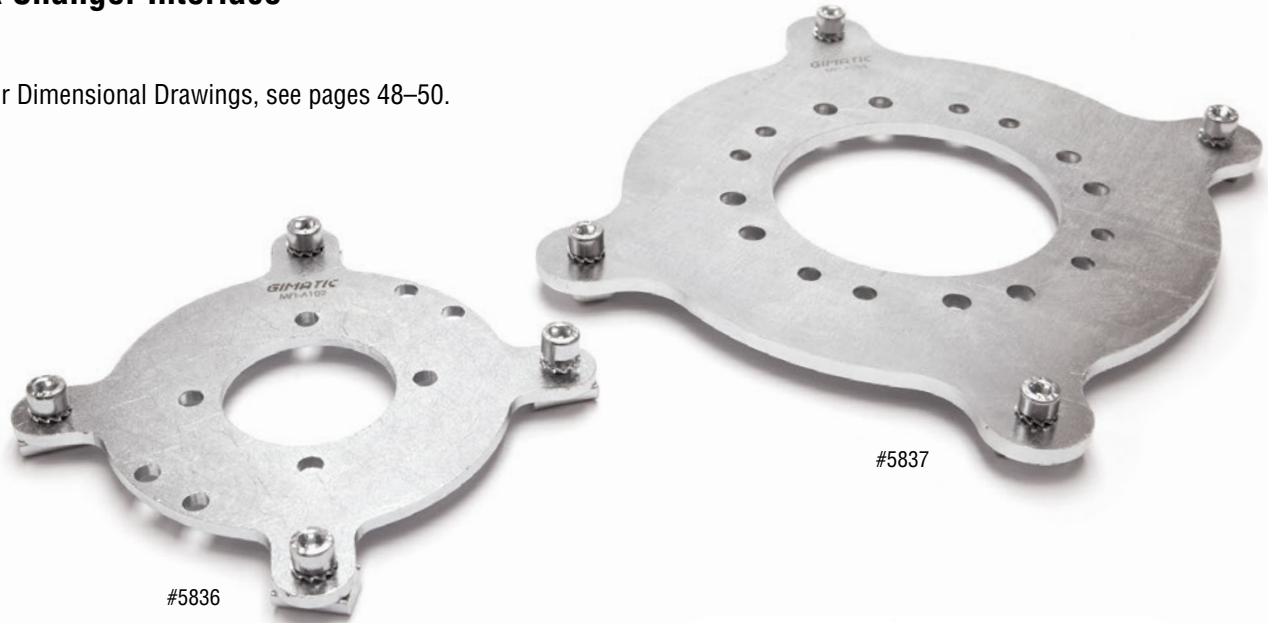
Twist-on Cable Tie Sold in packs of 10

Quick#	Part#	Price
7618	MFI-A239	\$10.27

NEW

Quick Changer Interface

- For Dimensional Drawings, see pages 48–50.



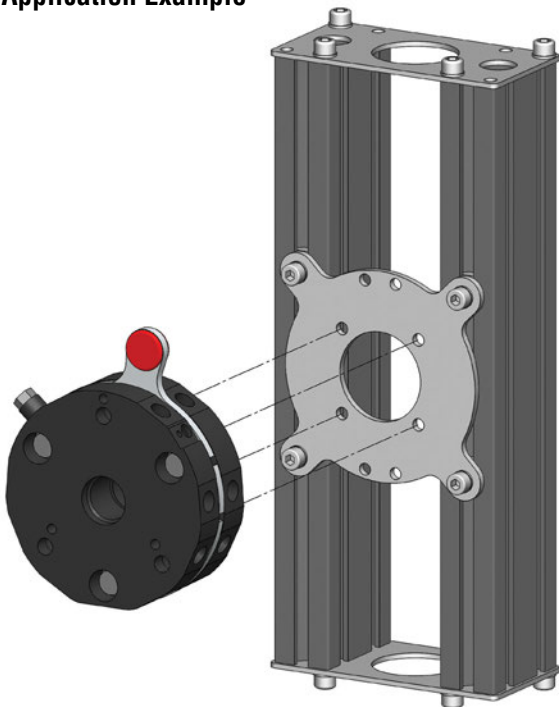
Quick Changer Interface (steel)

Quick#	Part#	Price	Quick Changer Size	Wt.
7303	MFI-A277	\$23.66	Mini QC50 (50mm)	90g
5836	MFI-A102	\$27.25	Standard QC90 (90mm)	190g
5837	MFI-A103	\$39.68	Large QC150 (150mm)	540g

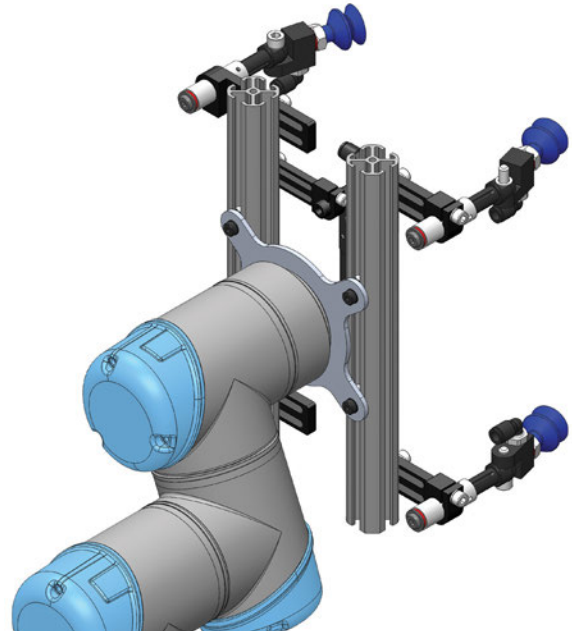
Note: Mounting hardware included



Application Example



Interface plates for Cobots on page 126.

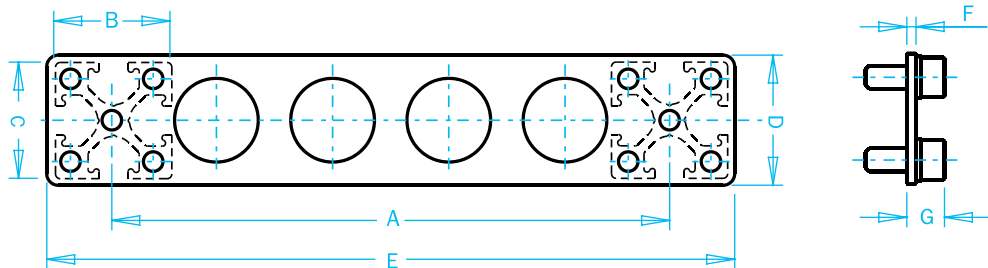


Profile End Plate

Save on Custom Plates!

Custom mounting plates, interfaces, and brackets for building EOAT are available from EMI. Fast and low cost.

EMI's in-house laser cutter precision cuts aluminum and stainless up to 0.250" thick.

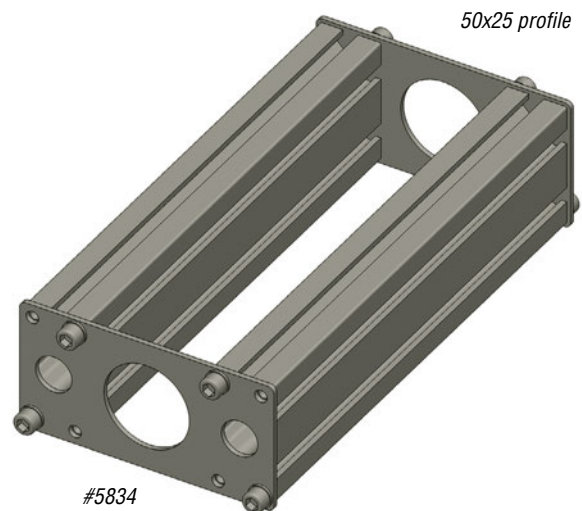
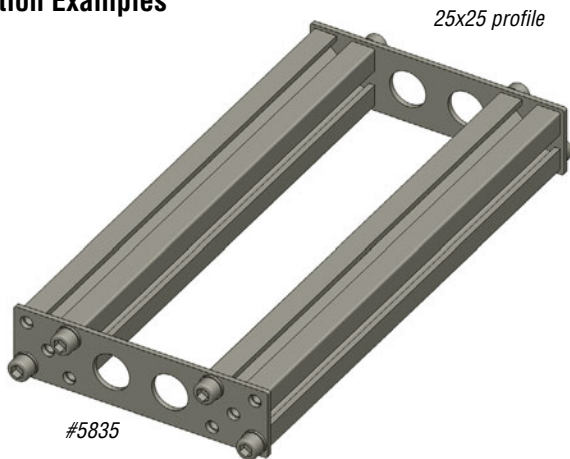


Profile End Plate

Quick#	Part#	Price	Profile	A	B	C	D	E	F	G	Wt.
5834	MFI-A100	\$7.90	5025	76	25	50	53	104	2	8	75g
5835	MFI-A101	\$8.59	2525	76	25	25	28	104	2	8	50g
5832	MFI-A19	\$5.75	2525	120	25	25	28	148	2	8	60g
5833	MFI-A20	\$7.12	5025	120	25	50	53	148	2	8	100g
6066	MFI-A201	\$8.89	2525	130	25	25	28	158	2	8	65g
6067	MFI-A202	\$9.05	5025	130	25	50	53	158	2	8	110g

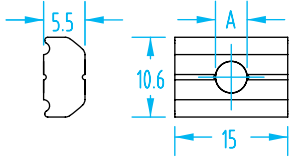
Note: Mounting hardware included

Application Examples



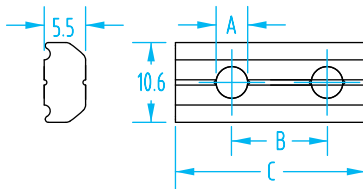
Channel Nuts

#6058, #6019, #6059



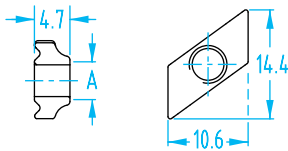
Quick#	Part#	Price	A	Wt.
6058	MFI-177	\$1.00	M4	5g
6019	MFI-025	\$1.00	M5	5g
6059	MFI-178	\$1.00	M6	5g

#6020–#6032



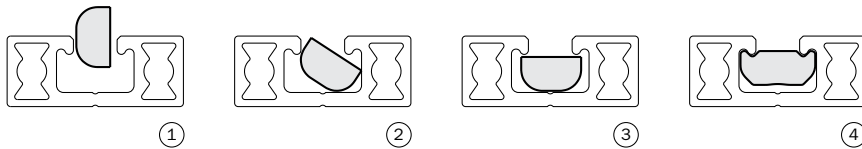
Quick#	Part#	Price	A	B	C	Wt.
6020	MFI-003	\$1.50	M4	8	16	5g
6021	MFI-006	\$1.50	M5	10	20	7g
6022	MFI-009	\$1.50	M5	15	25	9g
6023	MFI-148	\$1.50	M5	17	25	9g
6024	MFI-016	\$1.50	M5	22	32	11g
6025	MFI-027	\$1.50	M5	25	35	13g
6026	MFI-055	\$1.50	M5	28	38	14g
6027	MFI-050	\$1.72	M5	30	40	15g
6028	MFI-029	\$1.72	M5	35	45	16g
6029	MFI-020	\$1.72	M5	40	50	18g
6030	MFI-043	\$1.72	M5	50	60	22g
6031	MFI-022	\$1.72	M5	60	70	26g
6032	MFI-045	\$1.72	M5	90	100	38g

#6088, #6089, #6090



Quick#	Part#	Price	A	Wt.
6090	MFI-490	\$2.25	M3	2g
6089	MFI-489	\$2.25	M4	2g
6088	MFI-477	\$2.25	M5	2g

Drop-in #6088–#6090 & rotate 90° when you need to add to an already assembled EOAT.

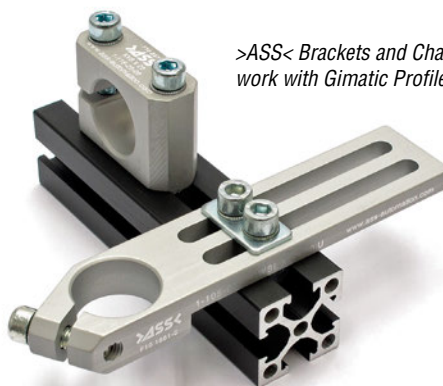


- See page 1078 replacement washers for Gimatic hardware.

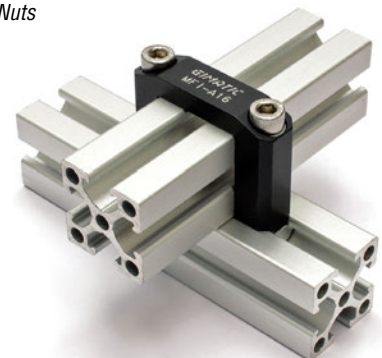
Gimatic & >ASS< Profile Compatibility



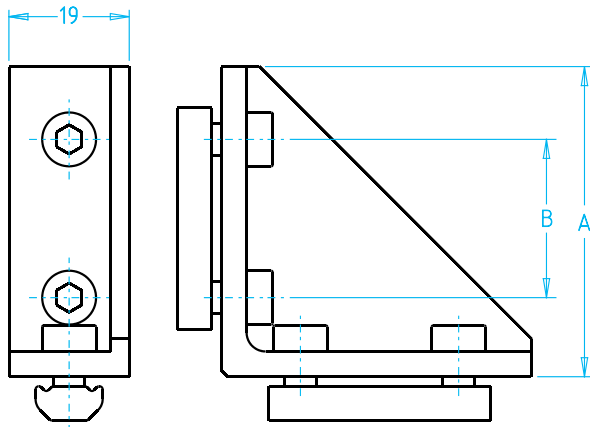
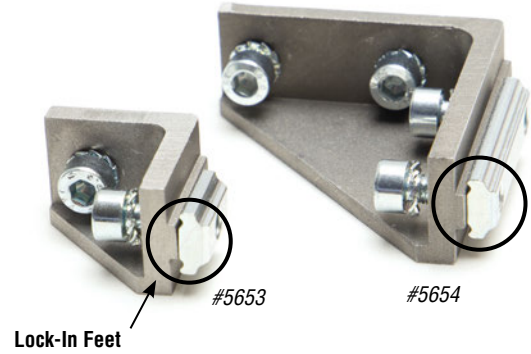
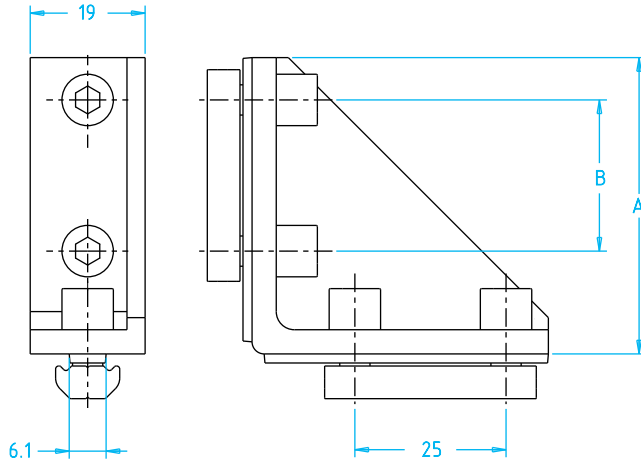
Gimatic Brackets and Channel Nuts work with >ASS< Profile.



>ASS< Brackets and Channel Nuts work with Gimatic Profile.



Angle Joint Connector



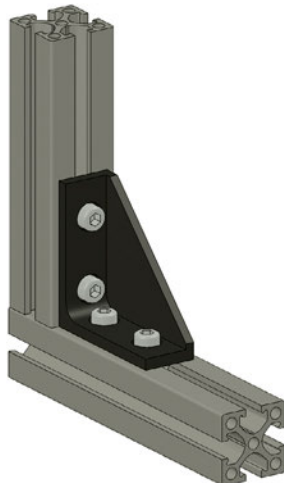
Angle Joint Connector for Profile

Quick#	Part#	Price	A (size)	Material	Style	Use	B	Wt.
5653	MFI-A140	\$5.05	Single (25mm)	Steel	With Lock-in Feet	Inline only	-	33g
5654	MFI-A141	\$7.23	Double (50mm)				25	82g
5651	MFI-A14	\$5.29	Single (25mm)	Aluminum	No Lock-in Feet	Inline & Perpendicular	-	25g
5652	MFI-A15	\$7.59	Double (50mm)				25	60g

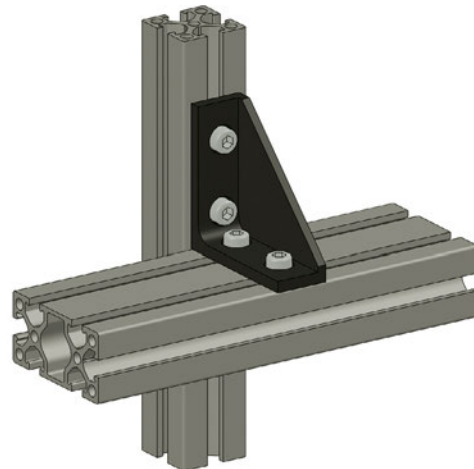
Use Quick#s for easy online ordering.

Application Examples

Inline Use:

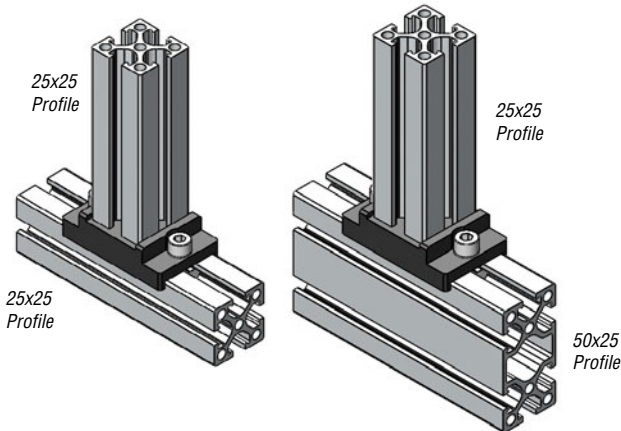
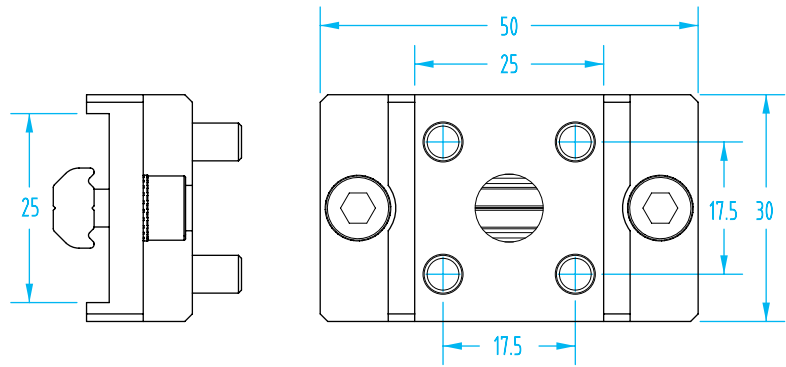


Perpendicular Use:



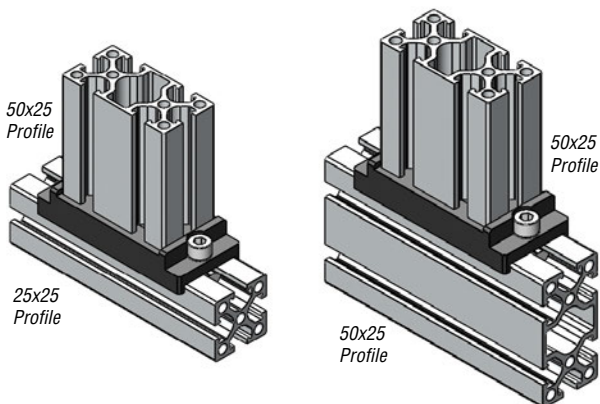
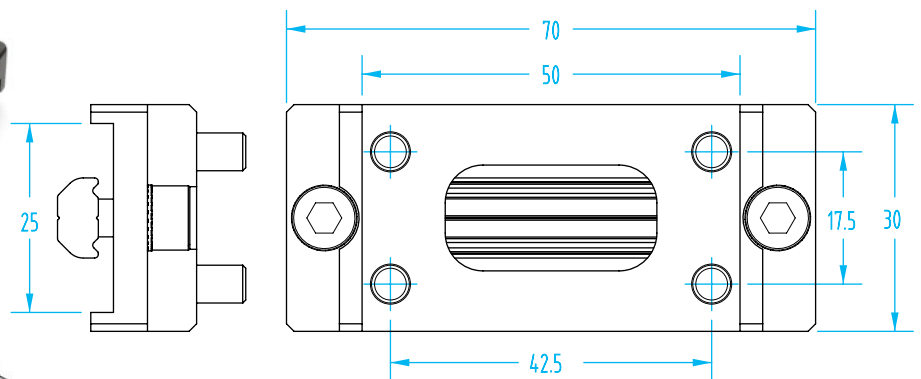
Profile End Joint Connector

(Dimensioned drawings shown full scale)



90° Profile End Joint Connector

Quick#	Part#	Price	Weight
7105	MFI-A217	\$27.00	65g

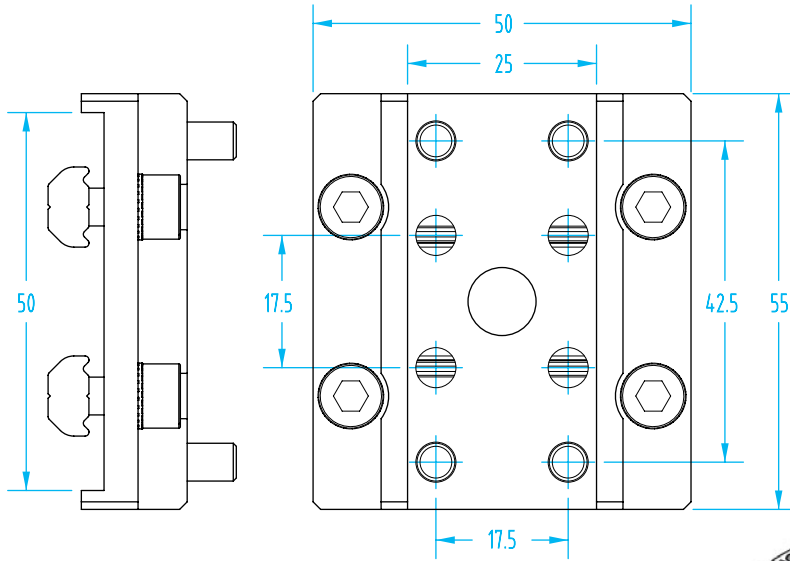


90° Profile End Joint Connector

Quick#	Part#	Price	Weight
7106	MFI-A218	\$28.00	85g

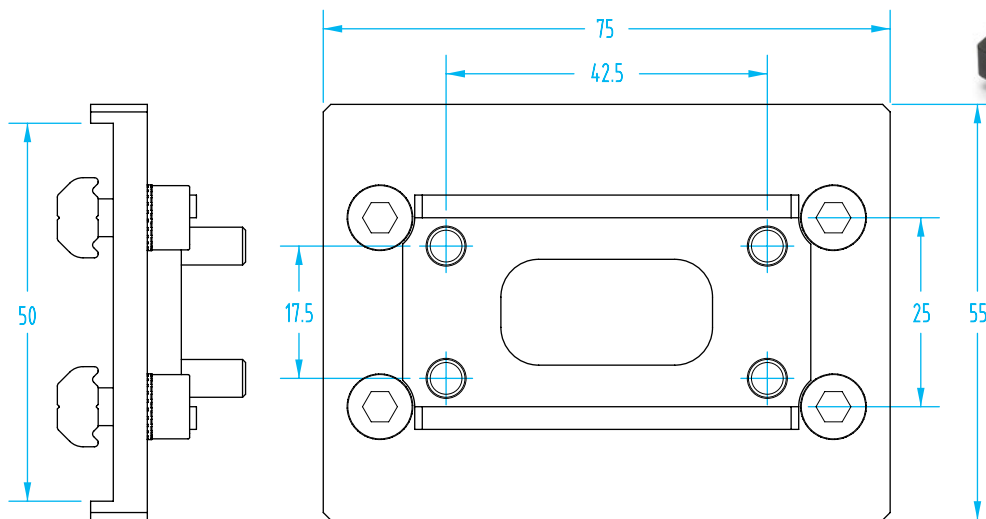
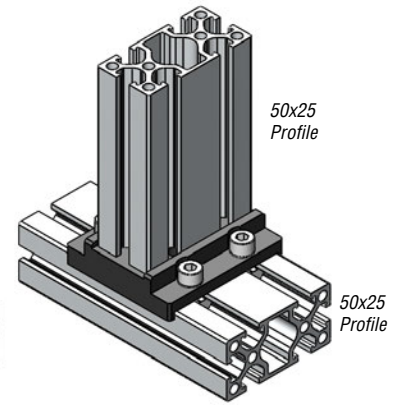
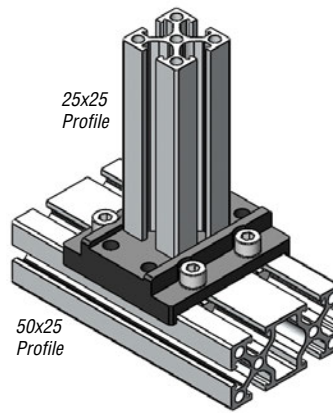
Profile End Joint Connector

(Dimensioned drawings shown full scale)



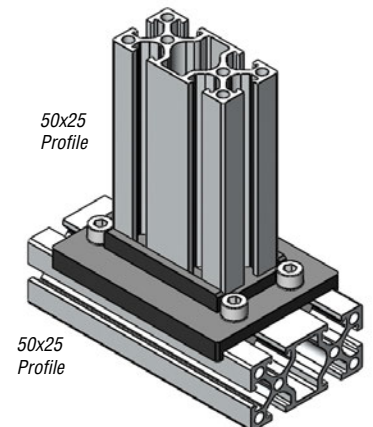
90° Profile End Joint Connector

Quick#	Part#	Price	Weight
7107	MFI-A219	\$29.00	110g

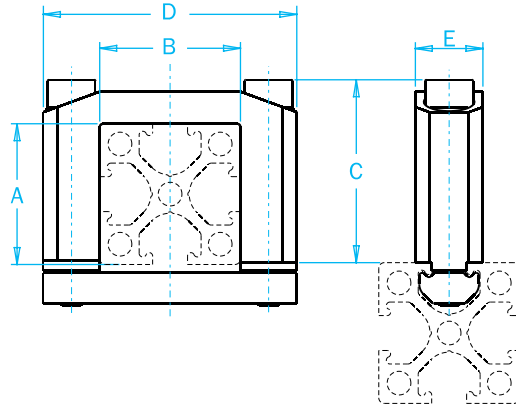


90° Profile End Joint Connector

Quick#	Part#	Price	Weight
7108	MFI-A220	\$30.50	140g



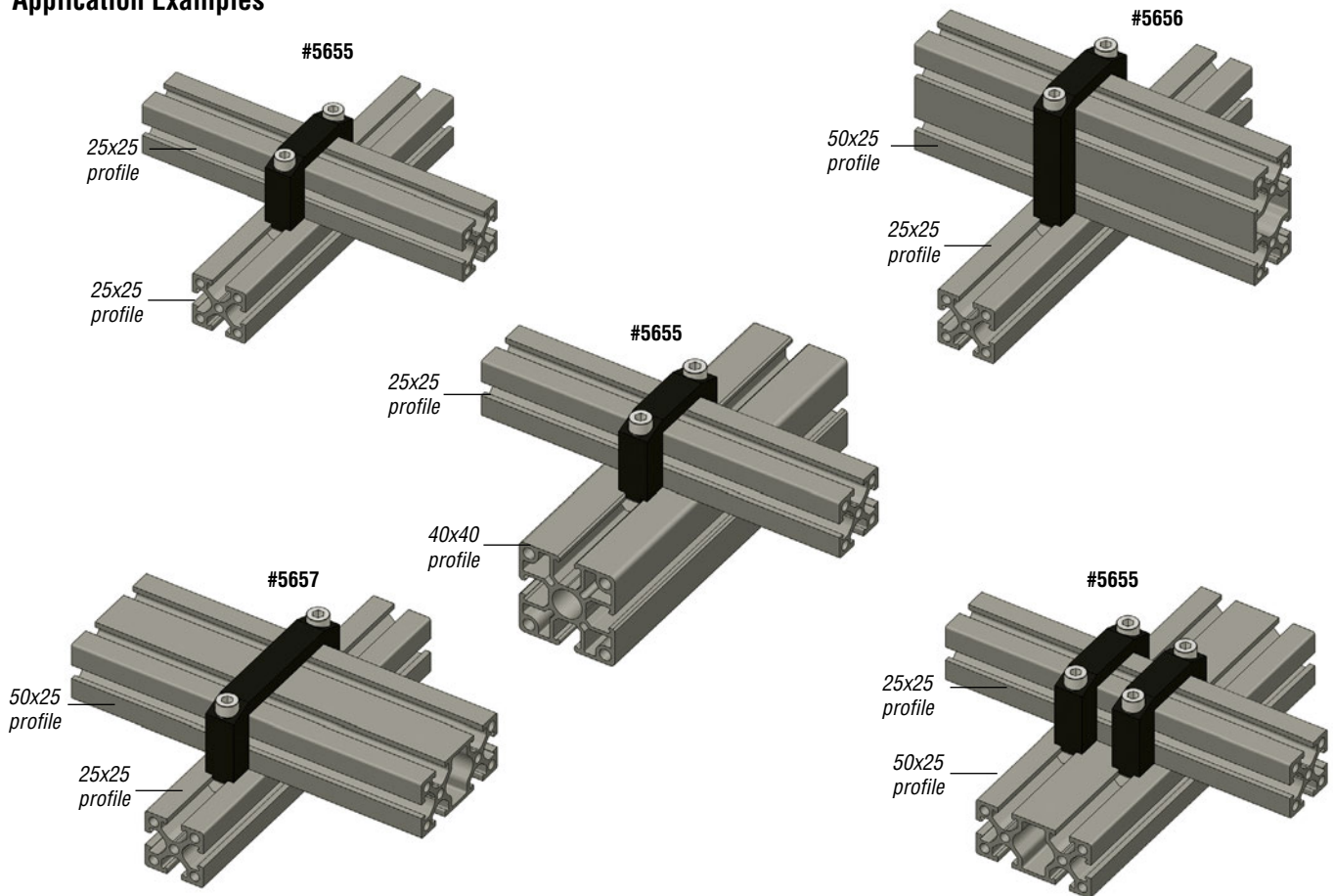
Square Joint Connector



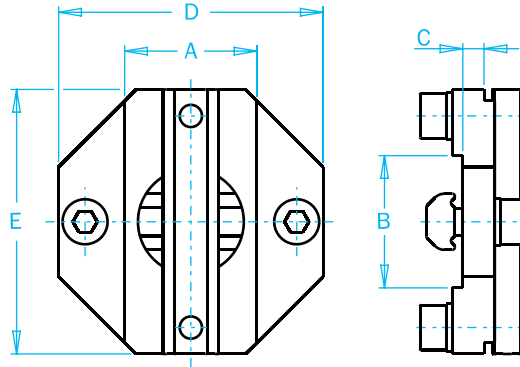
Square Joint Connector for Profile

Quick#	Part#	Price	A	B	C	D	E	Wt.
6747	MFI-A244	\$14.89	18	18	29	38	12	41g
5655	MFI-A16	\$15.04	25	25	32	45	12	45g
5656	MFI-A17	\$16.14	50	25	57	45	12	65g
5657	MFI-A18	\$16.33	25	50	32	70	12	50g

Application Examples



Cross Joint Connector



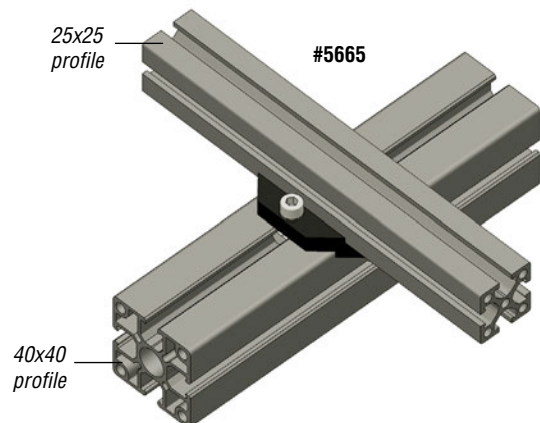
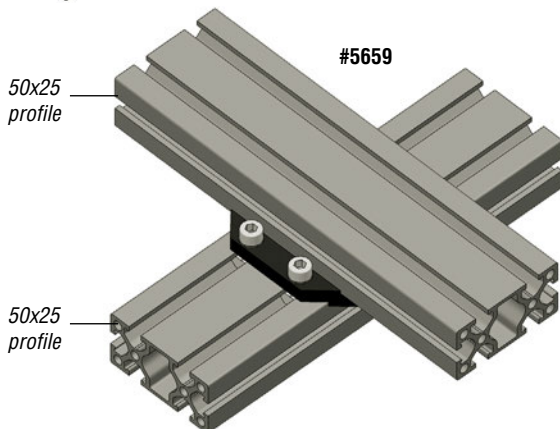
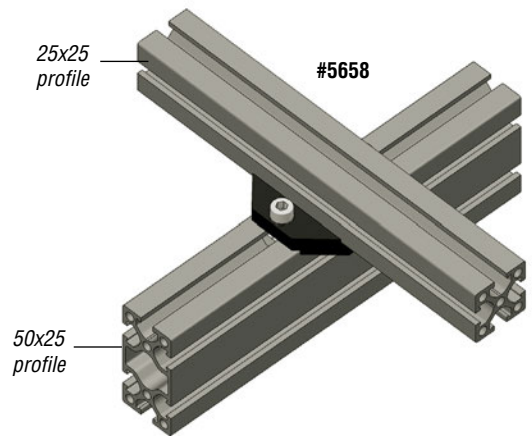
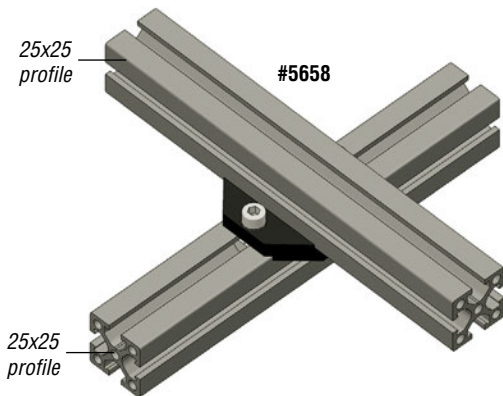
#5658

Cross Joint Connector for Profile

Quick#	Part#	Price	A	B	C	D	E	Wt.
5851	MFI-A175	\$19.03	18	18	2	38	38	40g
6746	MFI-A265	\$23.59	18	25	4	38	45	60g
5658	MFI-A11	\$20.25	25	25	4	45	45	75g
5659	MFI-A12	\$25.75	50	50	4	70	70	170g
5660	MFI-A13	\$22.83	25	50	4	45	70	114g
5661	MFI-A29	\$24.18	40	40	4	60	60	85g
7611	MFI-A29-H*	\$29.07	40	40	4	60	60	85g
5662	MFI-A30	\$30.48	80	80	4	100	100	255g
5663	MFI-A31	\$25.25	40	80	4	60	100	175g
5664	MFI-A32	\$25.22	25	80	4	45	100	140g
5665	MFI-A33	\$22.19	25	40	4	45	60	75g

*Heavy-duty version uses M6 hardware.

Application Examples



Flat Connectors



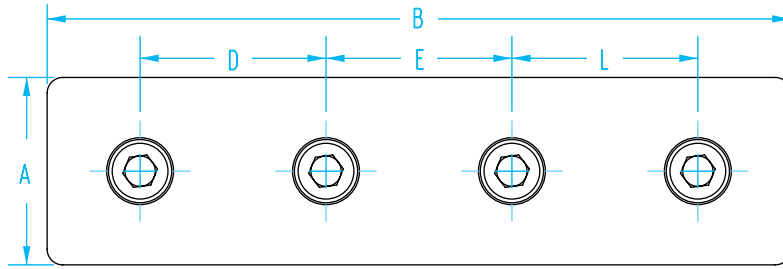
#5855



#5856



#7671



Straight Connector - Black Anodized Aluminum

Quick#	Part#	Price	A	B	D	E	L	Wt.
5855	MFM-A504	\$7.80	25	50	-	25	-	33g
5856	MFM-A505	\$11.23	25	100	25	25	25	67g
5857	MFM-A506	\$13.85	40	160	40	40	40	128g

Use with profile size ↑ *4.8mm thick*

Straight Connector - Steel

Quick#	Part#	Price	A	B	D	E	L	Wt.
7669	MFI-A226	\$6.54	25	50	-	25	-	45g
7670	MFI-A227	\$9.54	25	100	25	25	25	95g
7671	MFI-A228	\$12.35	40	160	40	40	40	195g

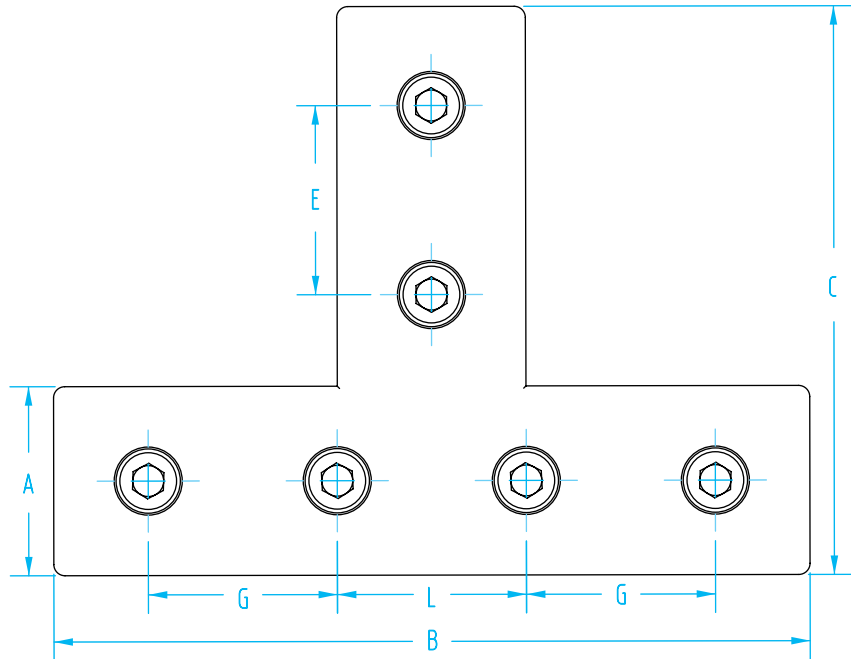
NEW Use with profile size ↑ *3mm thick*



#5861



#7673



T Connector - Black Anodized Aluminum

Quick#	Part#	Price	A	B	C	E	G	L	Wt.
5861	MFM-A510	\$12.40	25	50	75	25	-	25	67g
5862	MFM-A511	\$16.90	25	100	75	25	25	25	101g
5863	MFM-A512	\$19.35	40	120	120	40	-	90	163g

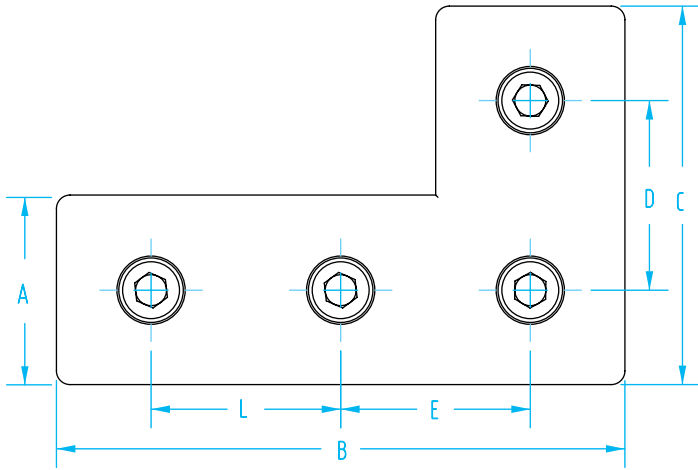
Use with profile size ↑ *4.8mm thick*

T Connector - Steel

Quick#	Part#	Price	A	B	C	E	G	L	Wt.
7672	MFI-A229	\$10.56	25	50	75	25	-	25	95g
7673	MFI-A230	\$15.50	25	100	75	25	25	25	145g
7674	MFI-A231	\$16.52	40	120	110	40	-	90	250g

NEW Use with profile size ↑ *3mm thick*

Flat Connectors



L Connector - Black Anodized Aluminum

Quick#	Part#	Price	A	B	C	D	E	L	Wt.
5858	MFM-A507	\$10.69	25	50	50	25	25	-	49g
5859	MFM-A508	\$12.40	25	75	50	25	25	25	67g
5860	MFM-A509	\$15.56	40	120	80	40	40	40	128g

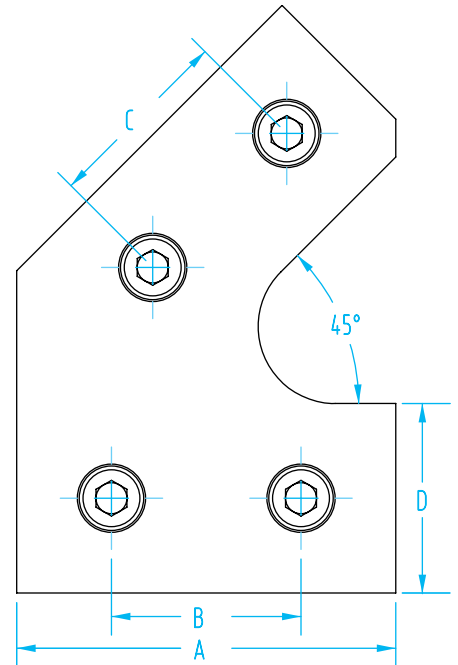
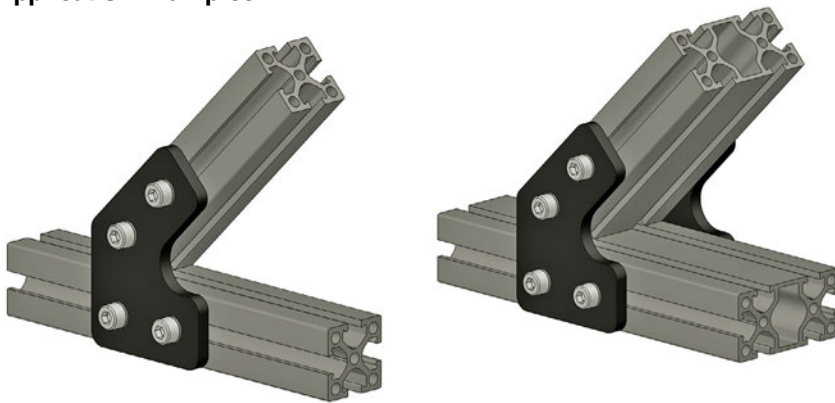
Use with profile size 4.8mm thick

L Connector - Steel

Quick#	Part#	Price	A	B	C	D	E	L	Wt.
7675	MFI-A232	\$8.94	25	50	50	25	25	-	70g
7676	MFI-A233	\$10.56	25	75	50	25	25	25	95g
7677	MFI-A234	\$12.46	40	120	80	40	40	40	200g

NEW Use with profile size 3mm thick

Application Examples



45° Profile Connector - Black Anodized Aluminum

Quick#	Part#	Price	A	B	C	D	Wt.
5864	MFM-A513	\$13.84	50	25	25	25	70g
6083	MFM-A515	\$19.85	130	40	40	40	210g

Use with profile size 4.8mm thick

45° Profile Connector - Steel

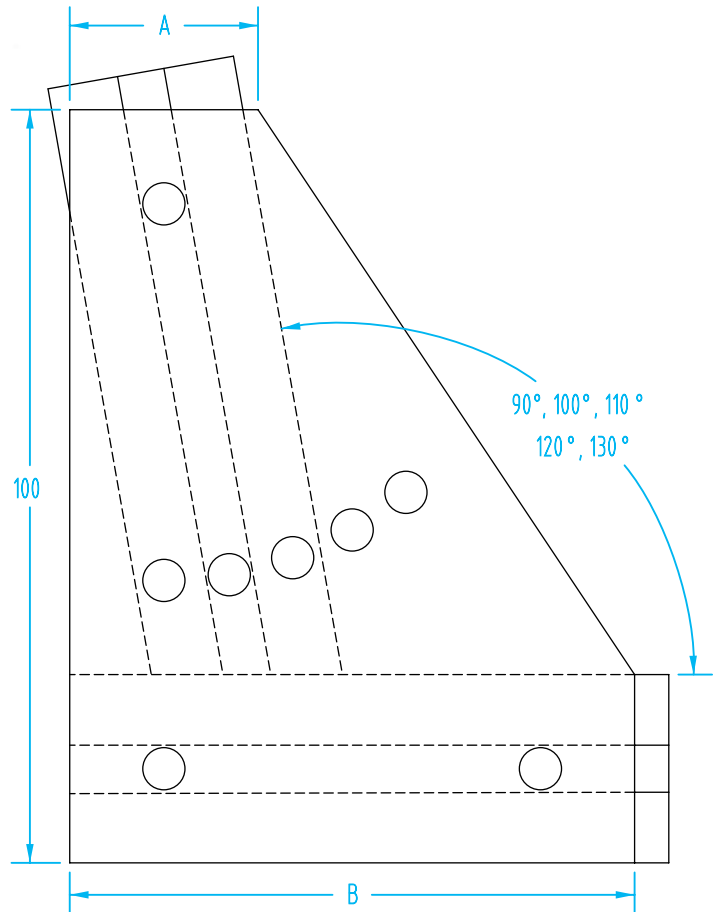
Quick#	Part#	Price	A	B	C	D	Wt.
7664	MFI-A221	\$11.95	50	25	25	25	100g

NEW Use with profile size 3mm thick

Corner Joint Plate



#5852



Corner Joint Plate - Black Anodized Aluminum

Quick#	Part#	Price	A	B	Wt.
5852	MFM-A501	\$15.12	25	75	125g
5853	MFM-A502	\$17.13	50	110	222g
5854	MFM-A503	\$18.68	40	80	137g

Use with profile size 4.8mm thick

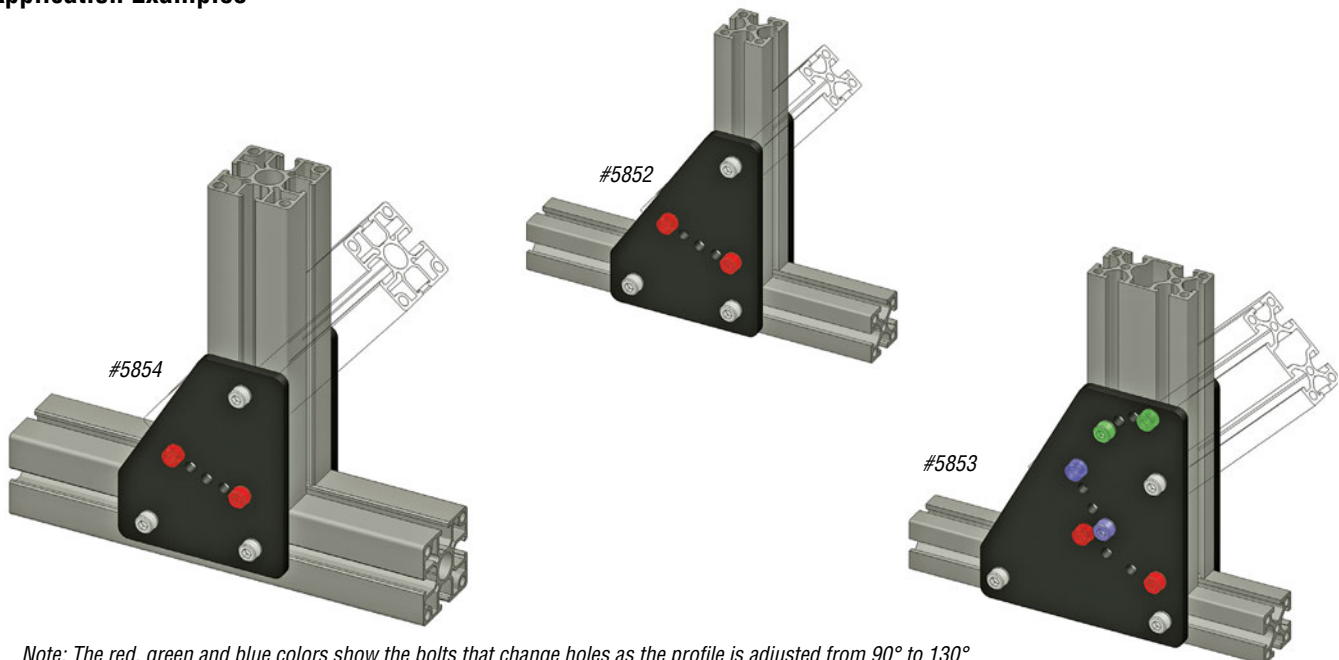
Corner Joint Plate - Steel

Quick#	Part#	Price	A	B	Wt.
7665	MFI-A222	\$13.26	25	60	130g
7666	MFI-A223	\$15.16	50	90	215g
7667	MFI-A224	\$15.40	40	70	175g

Use with profile size 3mm thick

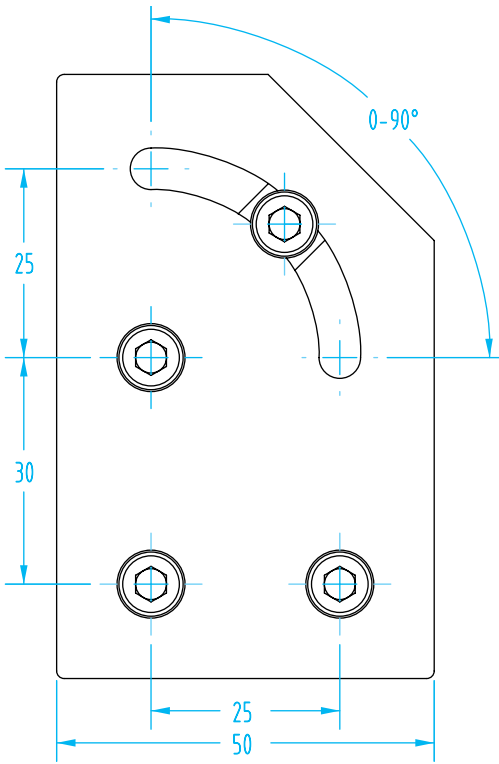
NEW

Application Examples



Note: The red, green and blue colors show the bolts that change holes as the profile is adjusted from 90° to 130°

Adjustable Profile Connector



Adjustable Connector - Black Anodized Aluminum

Quick#	Part#	Price	Wt.
5865	MFM-A514	\$15.10	79g

4.8mm thick

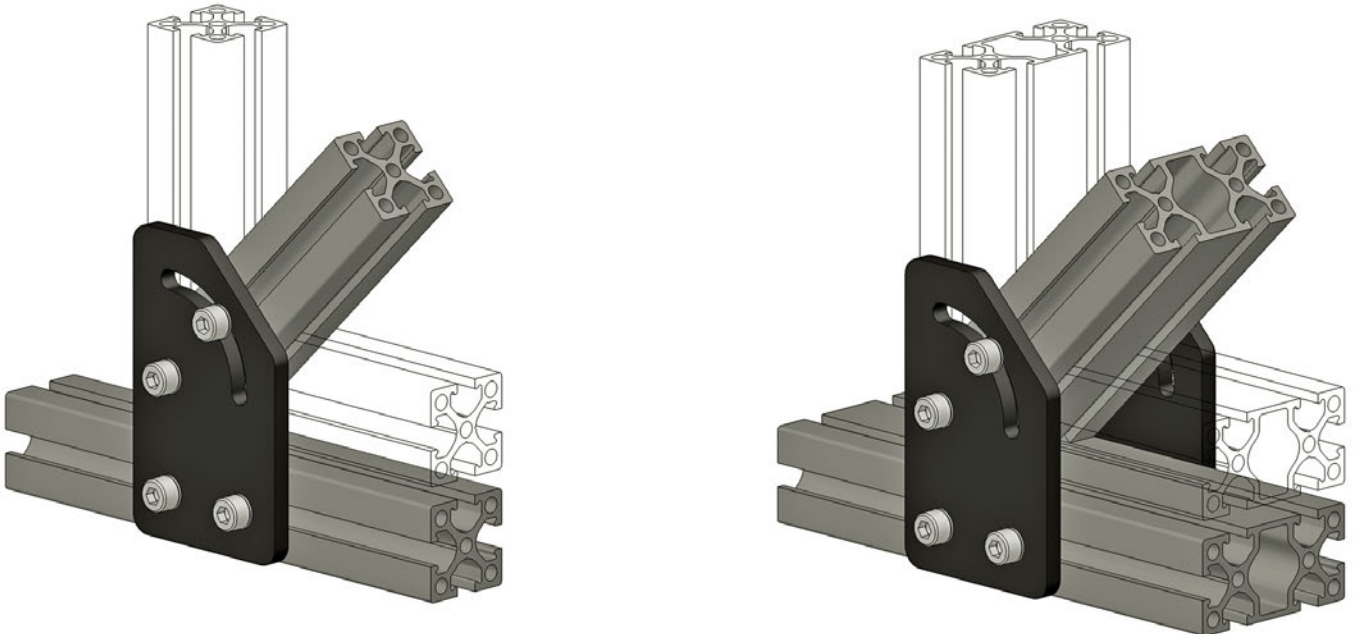
Adjustable Connector - Steel

Quick#	Part#	Price	Wt.
7668	MFI-A225	\$11.95	115g

3mm thick

NEW

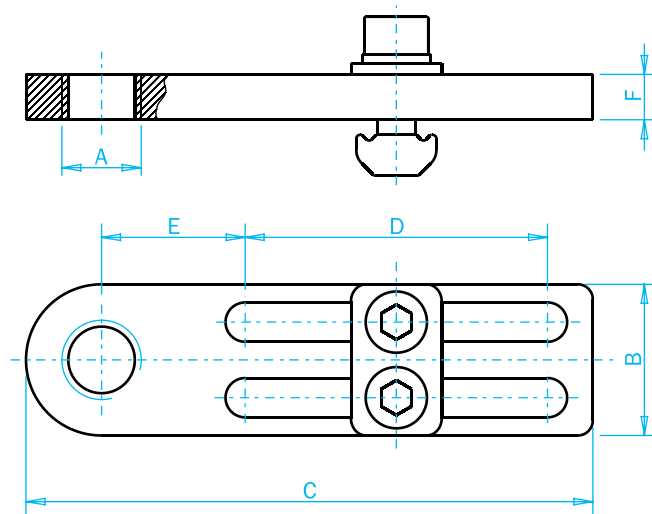
Application Examples



Threaded Mounting Bracket



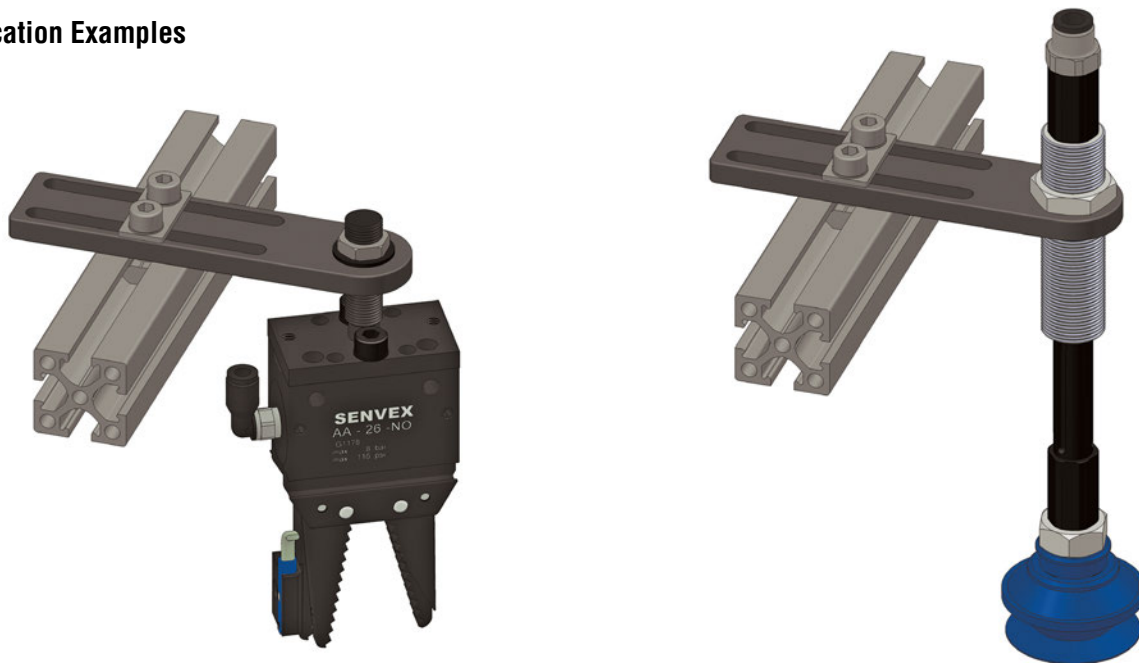
#5670



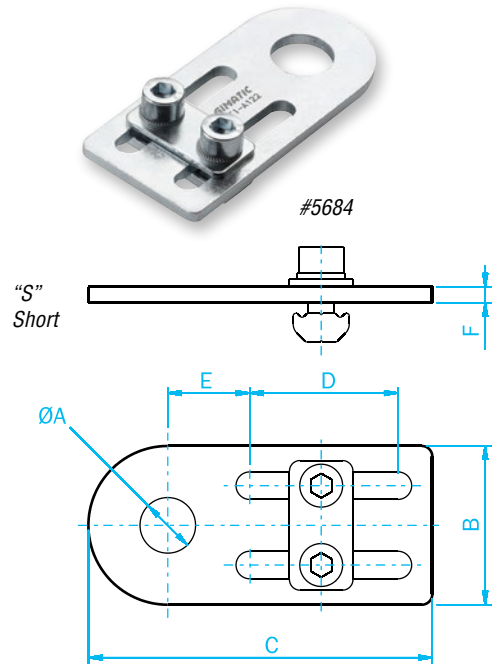
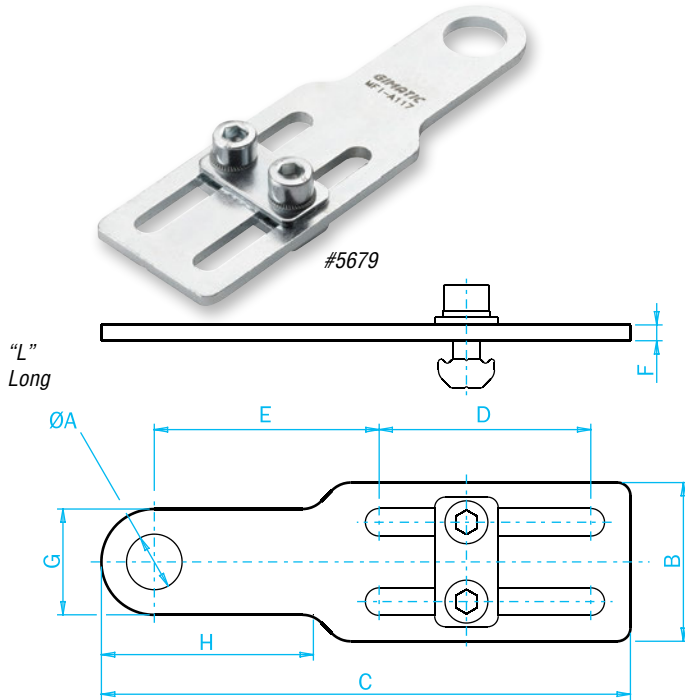
Threaded Mounting Bracket (Anodized Aluminum)

Quick#	Part#	Price	A	Type	B	C	D	E	F	Wt.
5666	MFI-A104	\$10.58	G1/8"	Short	20	75	40	19	6	25g
5667	MFI-A105	\$10.58	G1/8"	Long	25	105	60	26.5	6	42g
5668	MFI-A106	\$9.23	M10x1	Short	20	75	40	19	6	30g
5669	MFI-A107	\$10.13	M10x1	Long	25	105	60	26.5	6	40g
7615	MFI-A266	\$10.19	M12x1	Short	20	75	40	19	6	30g
7616	MFI-A267	\$11.03	M12x1	Long	25	105	60	26.5	6	47g
5670	MFI-A108	\$9.22	M14x1	Short	20	75	40	19	6	20g
5671	MFI-A109	\$10.13	M14x1	Long	25	105	60	26.5	6	40g
5239	MFI-A210	\$15.52	M14x1.5	Short	20	75	40	19	6	20g
5240	MFI-A211	\$17.09	M14x1.5	Long	25	105	60	26.5	6	40g
5672	MFI-A110	\$9.23	M16x1	Short	20	75	40	16.5	6	20g
5673	MFI-A111	\$10.58	M16x1	Long	25	105	60	26.5	6	40g
5674	MFI-A112	\$15.52	M20x1.5	Short	25	75	40	16.5	6	30g
5675	MFI-A113	\$17.09	M20x1.5	Long	25	105	60	26.5	6	35g
7315	MFI-A268	\$19.73	M25x1.5	Short	30	85	40	24	8	52g
7316	MFI-A269	\$20.33	M25x1.5	Long	30	115	60	34	8	67g
5676	MFI-A114	\$9.26	Solid	Short	20	75	40	19	6	25g
5677	MFI-A115	\$10.58	Solid	Long	25	105	60	26.5	6	40g

Application Examples



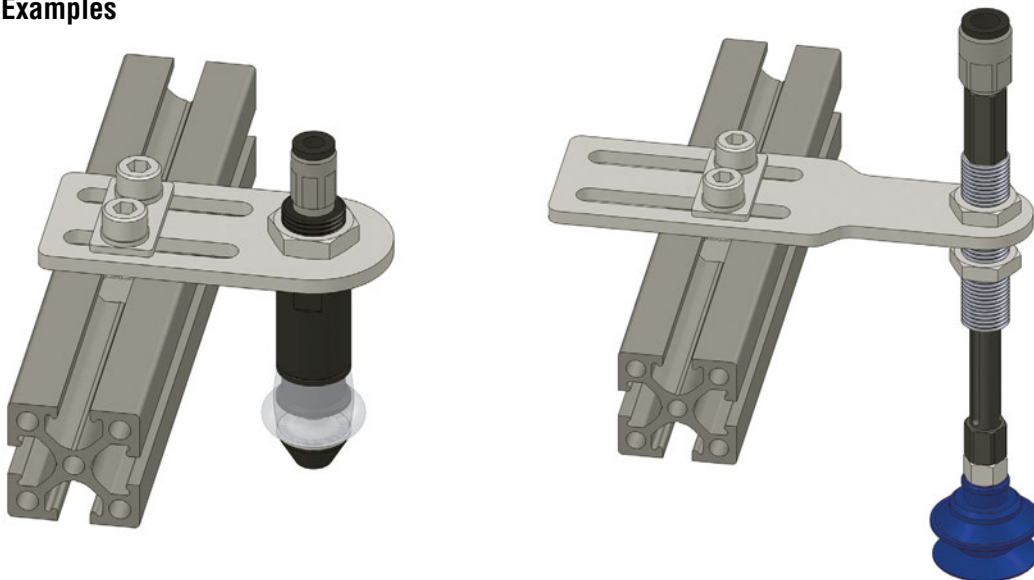
Economy Mounting Bracket



Slotted Mounting Bracket (Economy version - Steel)

Quick#	Part#	Price	Type	ØA	B	C	D	E	F	G	H	Wt.
5678	MFI-A116	\$8.26	L	10.5	30	100	40	42.5	3	20	38	60g
5679	MFI-A117	\$8.26	L	12.5	30	100	40	42.5	3	20	38	60g
5680	MFI-A118	\$8.26	L	14.5	30	100	40	42.5	3	24	38	60g
5681	MFI-A119	\$8.26	L	16.5	30	100	40	42.5	3	30	-	65g
5682	MFI-A120	\$8.26	L	20.5	30	100	40	42.5	3	30	-	60g
6957	MFI-A181	\$15.40	L	22.5	30	100	40	42.5	5	35	26	105g
6958	MFI-A182	\$15.40	L	25.5	30	100	40	42.5	5	35	26	100g
5683	MFI-A121	\$7.68	S	10.5	30	65	28	15.5	3	-	-	45g
5684	MFI-A122	\$7.68	S	12.5	30	65	28	15.5	3	-	-	45g
5685	MFI-A123	\$7.68	S	14.5	30	65	28	15.5	3	-	-	45g
5686	MFI-A124	\$7.68	S	16.5	30	65	28	15.5	3	-	-	45g
5687	MFI-A125	\$7.68	S	20.5	30	65	28	15.5	3	-	-	40g
6959	MFI-A183	\$15.26	S	22.5	30	70	28	17	5	35	26	75g
6960	MFI-A184	\$15.26	S	25.5	30	70	28	17	5	35	26	70g

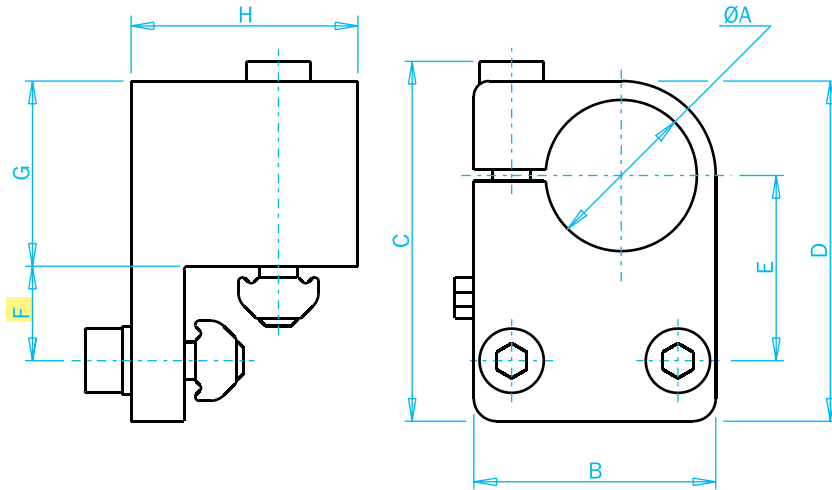
Application Examples



Heavy-Duty Cross Clamp



#5689

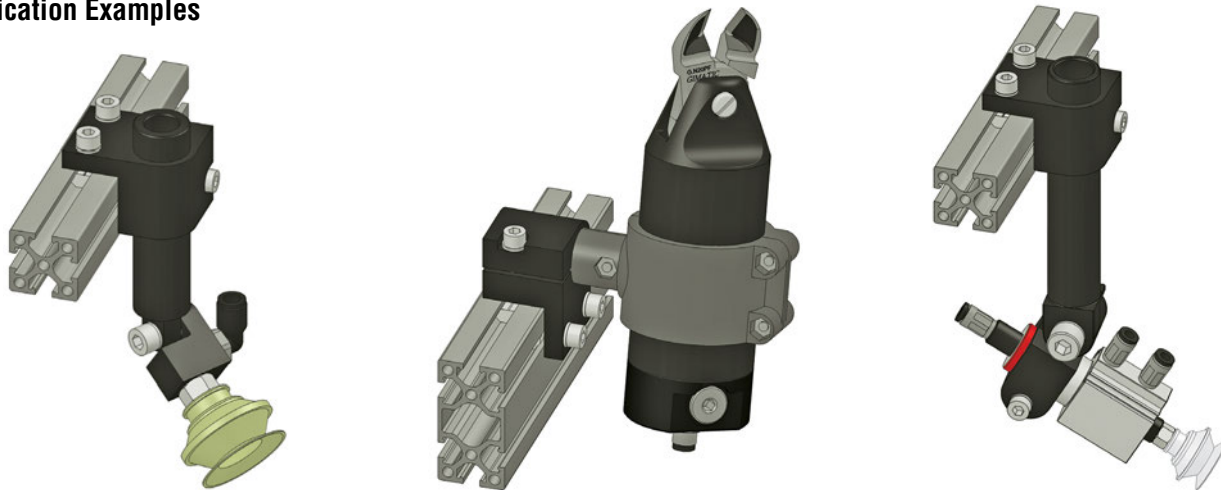


Heavy-Duty Cross Clamp

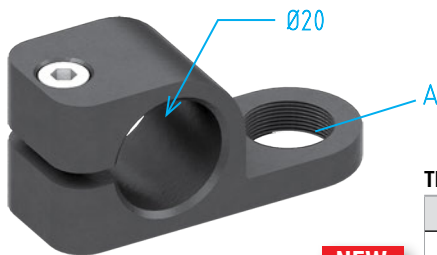
Quick#	Part#	Price	ØA	B	C	D	E	F	G	H	Profile	Wt.
5688	MFI-A09	\$29.62	14	25	42.6	40	22	12.5	19.5	25	2525 / 5025	50g
5689	MFI-A10	\$31.10	20	32	47.6	45	24.5	12.5	24.5	30	2525 / 5025	70g
5690	MFI-A36	\$36.82	20	35	54.1	54.5	33	20	26.5	35	4040 / 8040	95g
7613	MFI-A36-H*	\$42.48	20	47	64.7	65.5	35	20	37.5	40	4040 / 8040	209g
5691	MFI-A34	\$33.94	30	40	53.1	55	29.5	12.5	34.5	30	2525 / 5025	90g
5692	MFI-A35	\$37.55	30	45	64.1	65.5	39	20	37.5	40	4040 / 8040	150g
7614	MFI-A35-H*	\$43.16	30	47	64.7	65.5	39	20	37.5	40	4040 / 8040	168g

*Heavy-duty versions use M6 hardware.

Application Examples



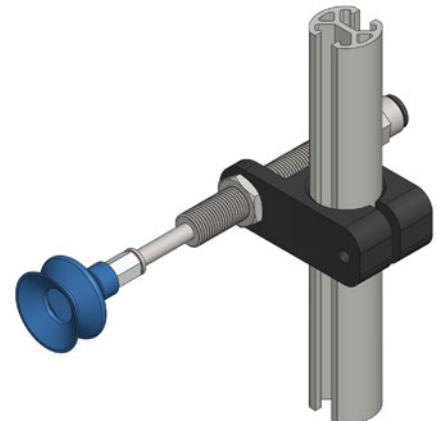
Threaded Mounting Bracket Clamp



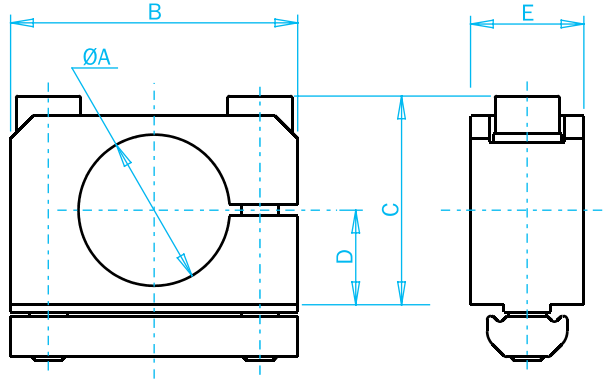
NEW

Threaded Mounting Bracket Clamp

Quick#	Part#	Price	A	Wt.
7681	MFI-A212	\$18.98	G1/8"	30g
7682	MFI-A213	\$20.54	M16x1	40g



Cross Connector Clamps

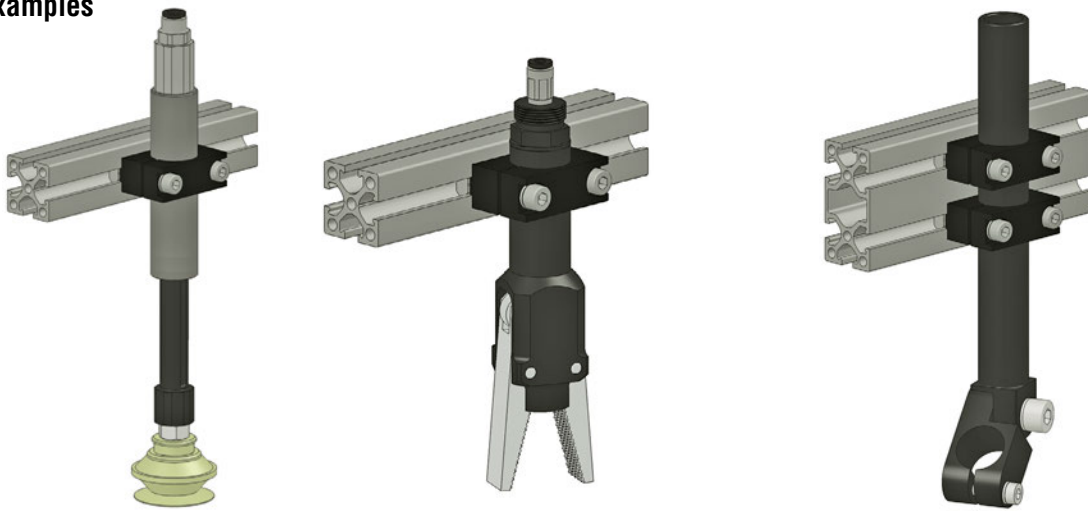


Cross (round) Connector Clamp

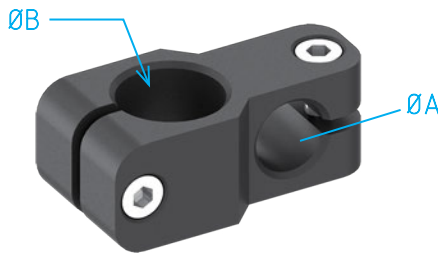
Quick#	Part#	Price	ØA	B	C	D	E	Wt.
5693	MFI-A156	\$10.00	10	25	18.5	7	10	15g
5694	MFI-A37	\$14.22	14	32	23	9	12	32g
5695	MFI-A38	\$14.22	20	38	28	12.5	15	45g
5696	MFI-A39	\$20.00	30	50	34	17	20	75g
5850	MFI-A178	\$33.41	50	70	56	28	25	150g

Use Quick#s for easy online ordering.

Application Examples



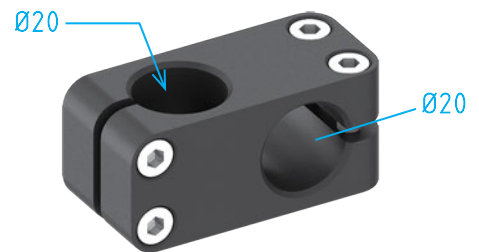
Round to Round Clamps



Cross Connection Clamp

Quick#	Part#	Price	ØA	ØB	Wt.
7678	MFI-A214	\$23.45	10	20	40g
7679	MFI-A215	\$25.24	14	20	45g

NEW



Cross Connection Clamp

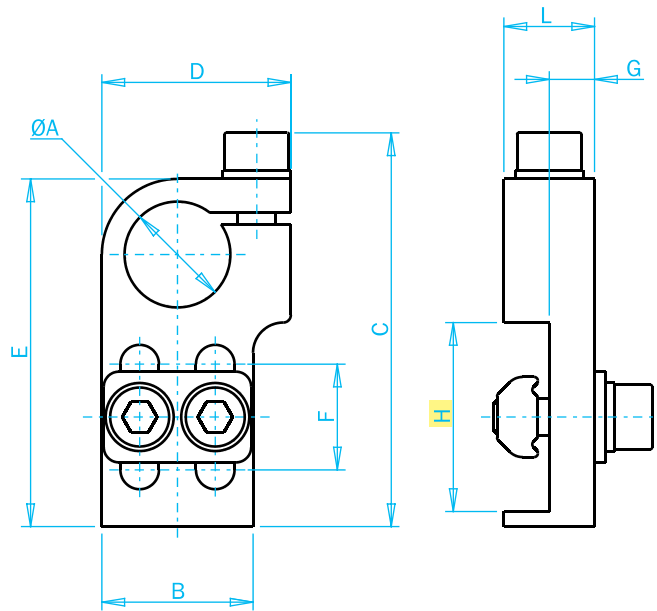
Quick#	Part#	Price	Wt.
7680	MFI-A216	\$18.30	70g

NEW

Angle Clamp



#5699

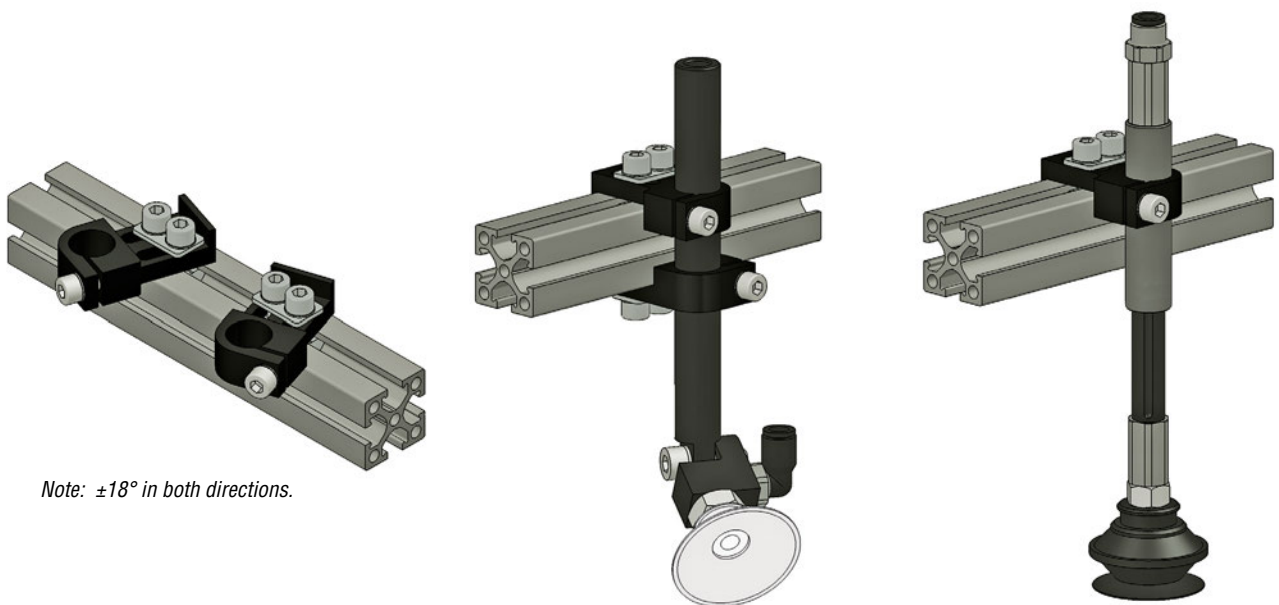


Angle Clamp

Quick#	Part#	Price	ØA	B	C	D	E	F	G	H	L	Wt.
5697	MFI-A01	\$14.00	10	16	43	20	38	10	4.5	18	8	20g
7220	MFI-A270	\$14.11	10	16	49	20	44	14	4.5	25	8	21g
5698	MFI-A02	\$14.72	14	20	52	25	46	14	6	25	12	34g
5873	MFI-A204	\$14.82	20	25	58	30	52	14	6	25	12	41g
5699	MFI-A03	\$15.10	20	25	74	30	68	22	6	40	12	48g

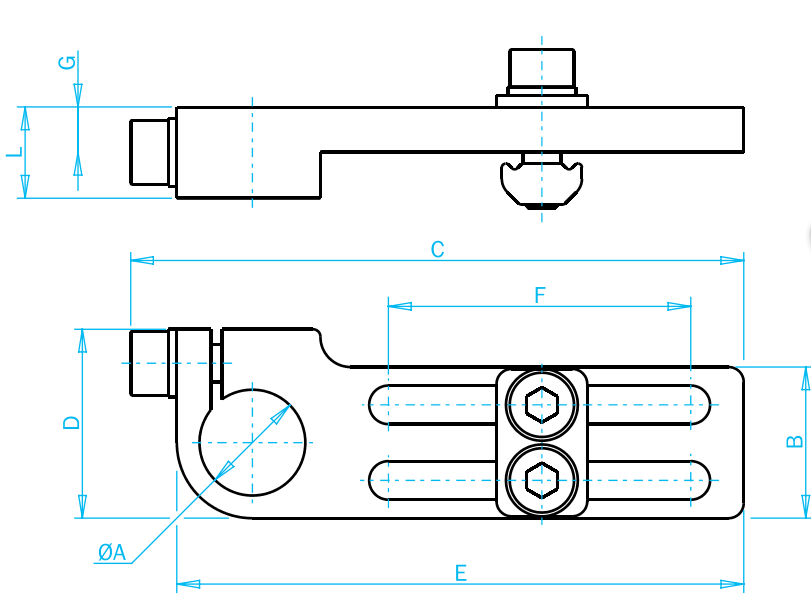
*Note: #5697 must be used upside down with 25mm profile

Application Examples



Note: ±18° in both directions.

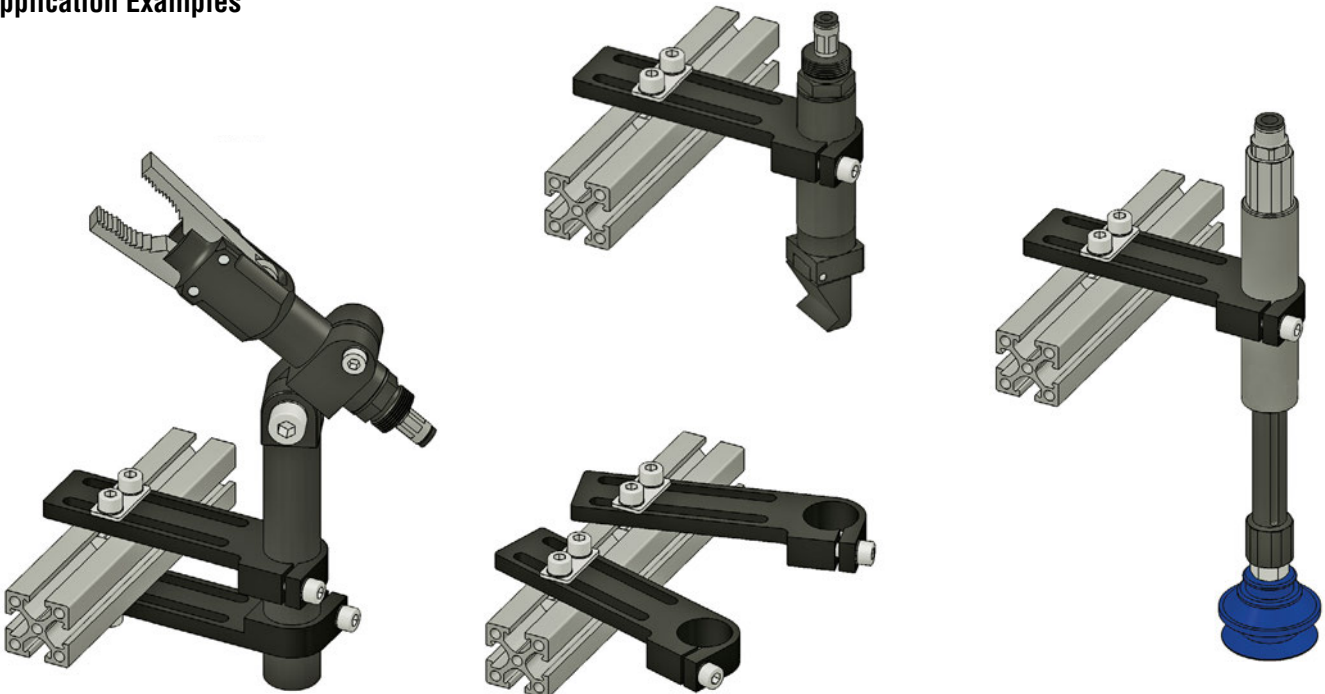
Long Angle Clamp



Long Angle Clamp

Quick#	Part#	Price	ØA	B	C	D	E	F	G	L	Wt.
5700	MFI-A04	\$16.04	10	16	75	20	70	40	4.5	8	23g
5701	MFI-A05	\$16.96	14	20	81.1	25	75	40	6	12	38g
5702	MFI-A06	\$17.50	14	20	91.1	25	85	50	6	12	40g
5703	MFI-A07	\$18.31	20	25	111.1	30	105	60	6	12	55g
5704	MFI-A08	\$19.30	30	35	121.1	40	115	60	8	12	95g

Application Examples



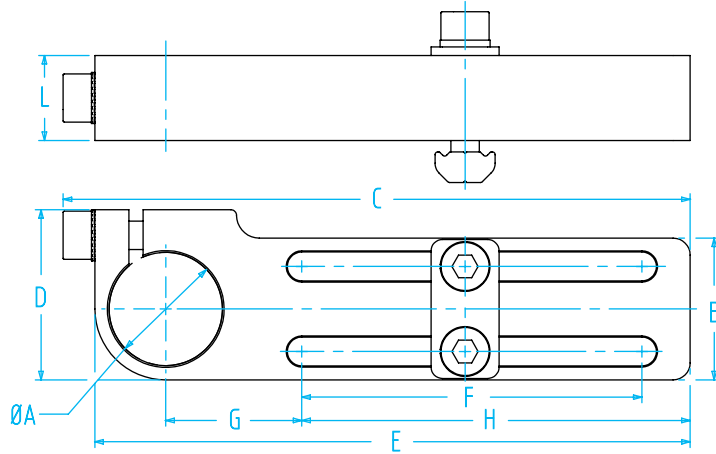
Note: ±16° in both directions.

Heavy-Duty Long Angle Clamp



#5876

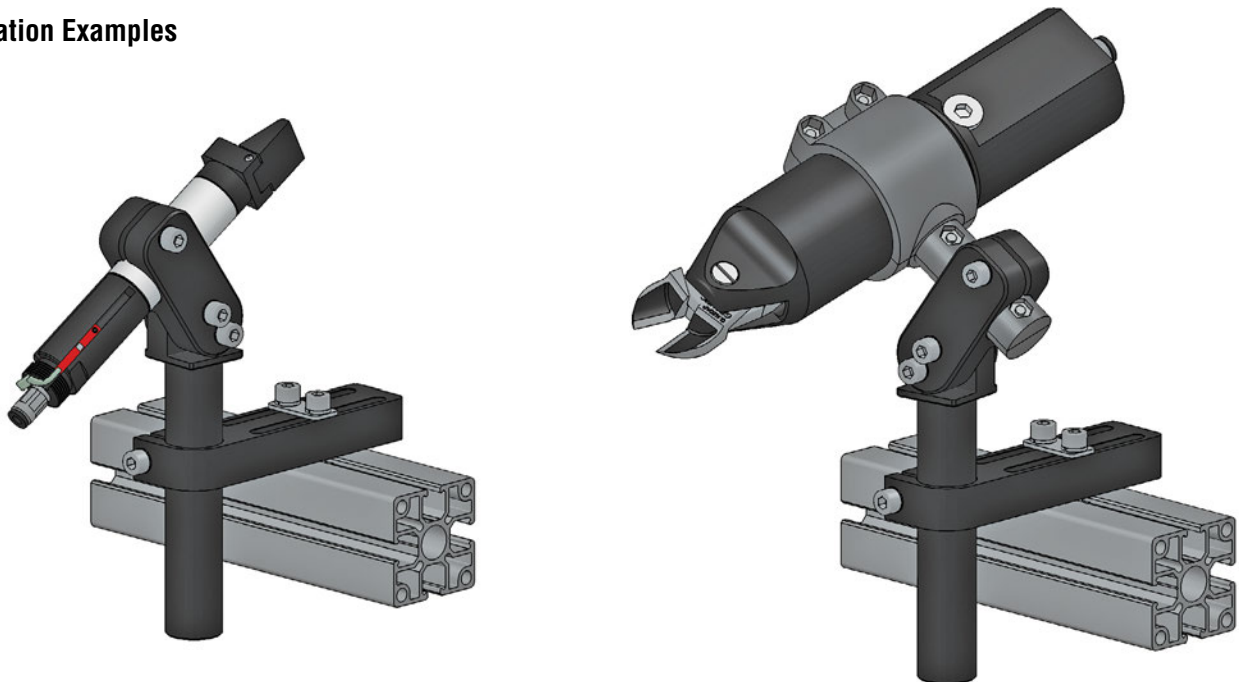
Extra thickness for heavy-duty applications



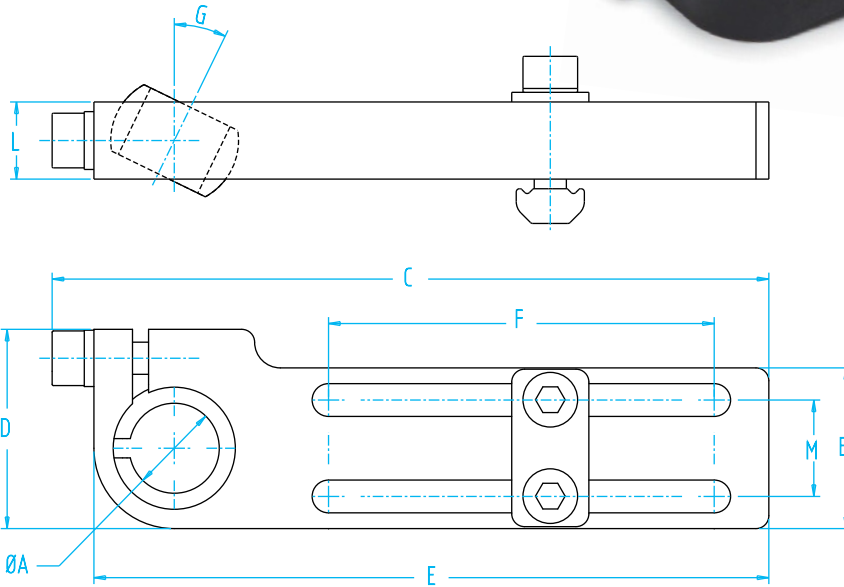
Heavy-Duty Long Angle Clamp

Quick#	Part#	Price	ØA	B	C	D	E	F	G	H	L	Wt.
5874	MFI-A207	\$20.51	10	16	75	20	70	40	16	46	8.3	30g
5875	MFI-A209	\$20.59	14	20	90.6	25	85	50	18	57	12	60g
5876	MFI-A205	\$21.96	20	25	110.6	30	105	60	24	68.5	15	85g
5877	MFI-A206	\$24.51	30	35	122.2	42	115	60	30	67.5	20	175g

Application Examples



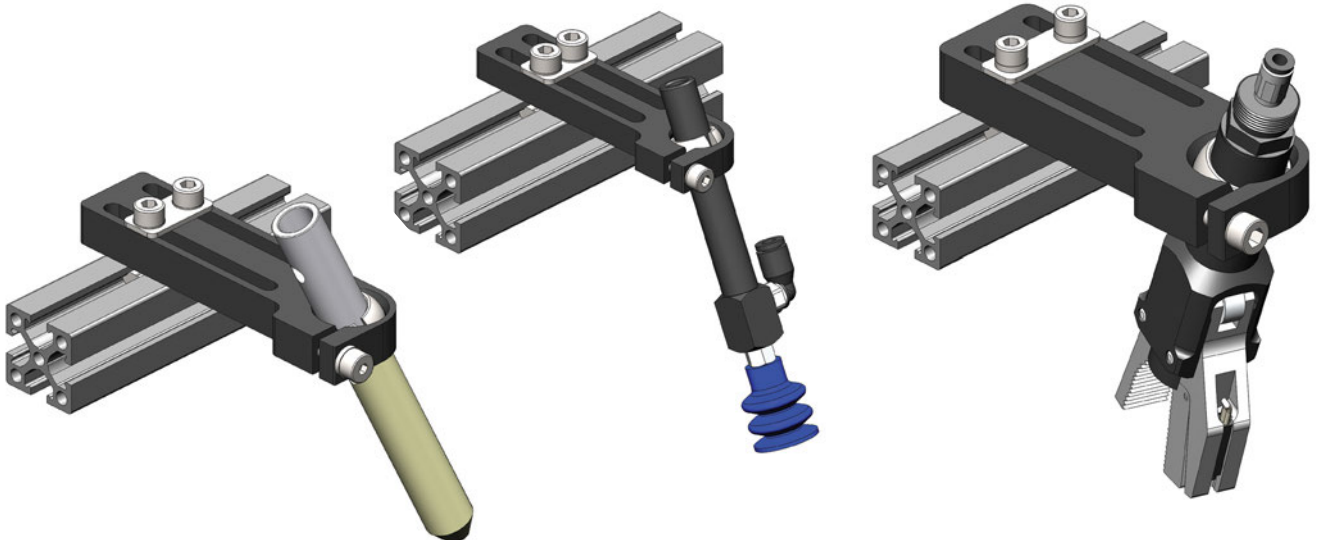
Long Angle Clamp with Ball Joint



Long Angle Clamp with Ball Joint

Quick#	Part#	Price	ØA	B	C	D	E	F	G	L	M	Weight
7367	MFI-A348	\$40.46	10	20	89.5	25	85	50	0-26°	8.3	10	45g
7368	MFI-A349	\$42.90	14	25	111.5	31	105	60	0-26°	12	15	86g
7369	MFI-A350	\$44.56	20	35	121.8	42	115	60	0-26°	15	22	160g

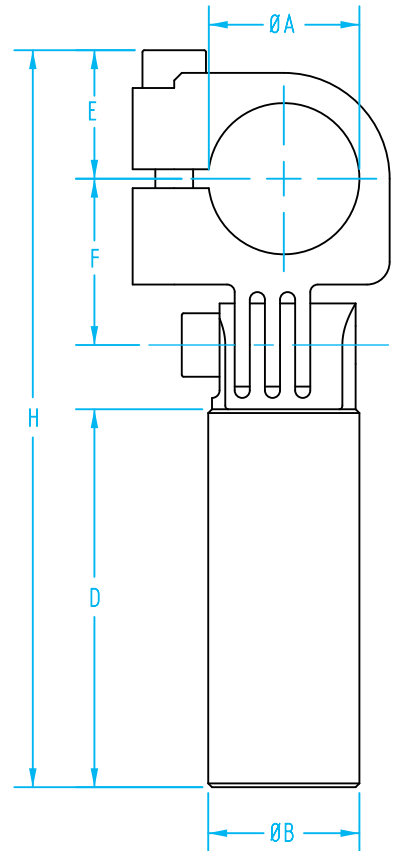
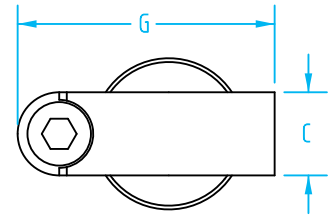
Application Examples



Elbow Arm



New, improved hinge design!

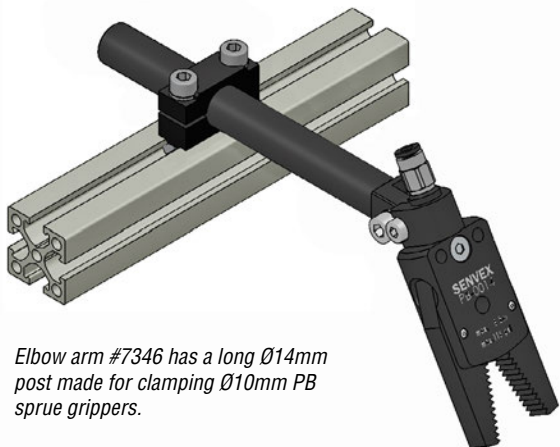


Elbow Arm

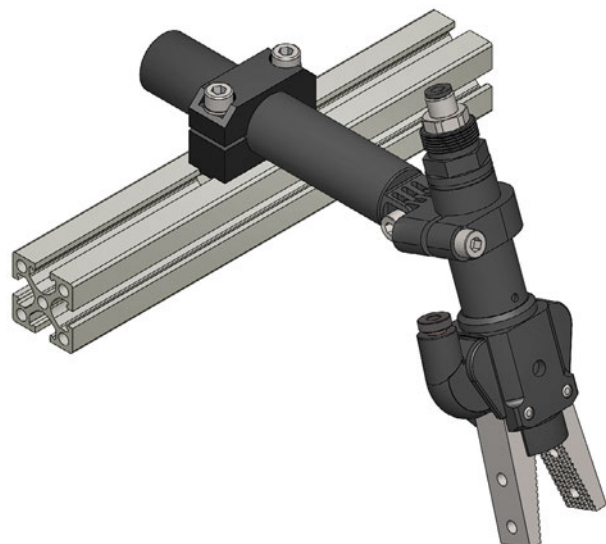
Quick#	Part#	Price	ØA	ØB	C	D	E	F	G	H	Wt.
5721	MFI-A59	\$19.00	10	10	11	60	11.6	18.5	21.4	98.6	20g
7346	MFI-A332	\$29.89	10	14	12	120	8	18.5	22.3	155.8	48g
5722	MFI-A60	\$26.88	14	14	11	40	14.1	19	27	83.1	32g
5723	MFI-A61	\$28.97	14	14	11	80	14.1	19	27	123.1	42g
5724	MFI-A62	\$30.40	14	14	11	120	14.1	19	27	163.1	50g
5725	MFI-A63	\$31.67	20	20	11	50	17.6	22	34	98.1	70g
5726	MFI-A64	\$33.00	20	20	11	100	17.6	22	34	148.1	90g
5727	MFI-A65	\$37.28	20	20	11	150	17.6	22	34	198.1	120g
5728	MFI-A167	\$43.06	30	30	16	80	24.6	29.5	48	145.6	235g
5729	MFI-A168	\$44.15	30	30	16	140	24.6	29.5	48	204.6	300g
5730	MFI-A169	\$44.93	30	30	16	200	24.6	29.5	48	264.6	360g

Use Quick#s for easy online ordering.

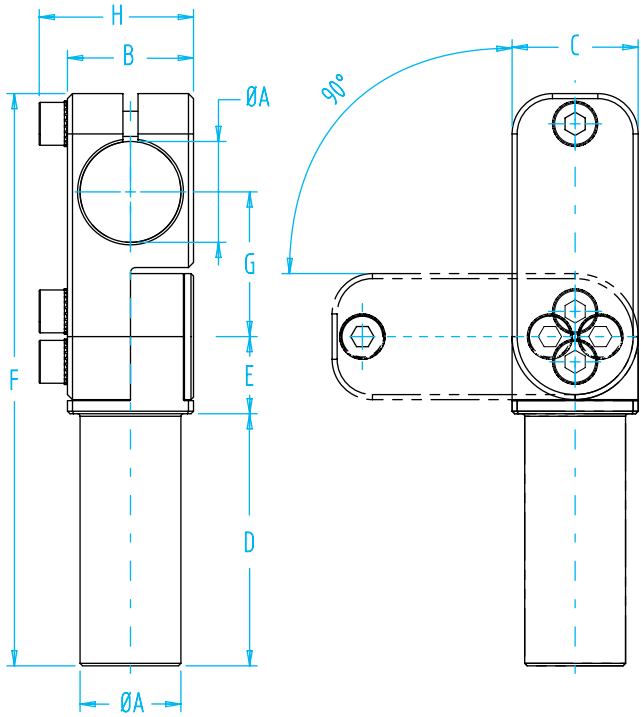
Application Examples



Elbow arm #7346 has a long Ø14mm post made for clamping Ø10mm PB sprue grippers.



Heavy-Duty Elbow Arm



**Double screws
securely lock
swivel to
prevent slipping**

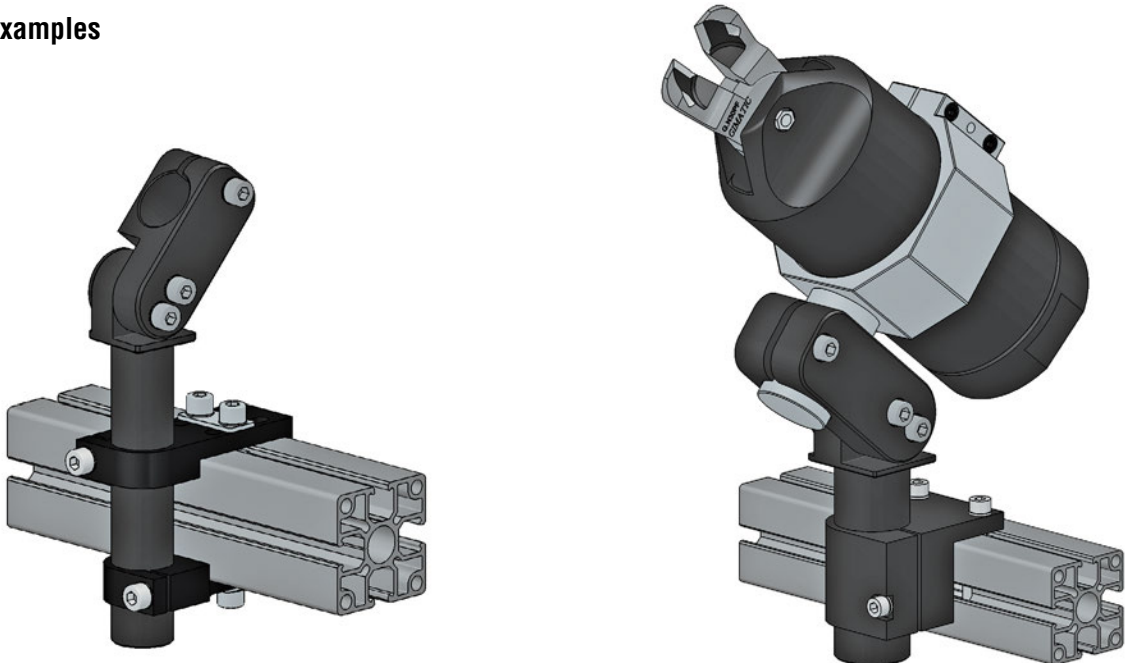


#5867

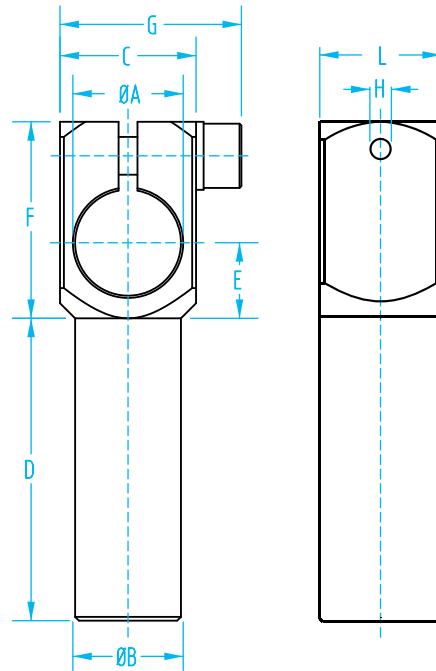
Heavy-Duty Elbow Arm

Quick#	Part#	Price	ØA	B	C	D	E	F	G	H	Wt.
5866	MFI-A195	\$50.71	20	25	25	50	15	113	29	31	95g
5867	MFI-A199	\$51.79	20	25	25	100	15	163	29	31	115g
5868	MFI-A200	\$53.00	20	25	25	150	15	213	29	31	130g
5869	MFI-A196	\$67.84	30	38	35	80	21	169	41	42	330g
5870	MFI-A197	\$69.04	30	38	35	140	21	229	41	42	380g
5871	MFI-A198	\$70.00	30	38	35	200	21	289	41	42	435g

Application Examples



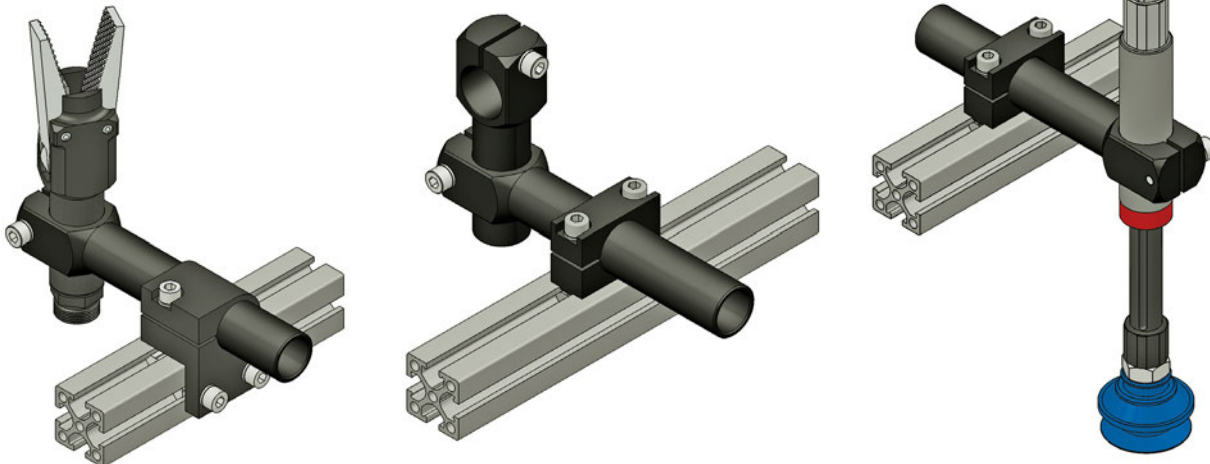
Angle Arm



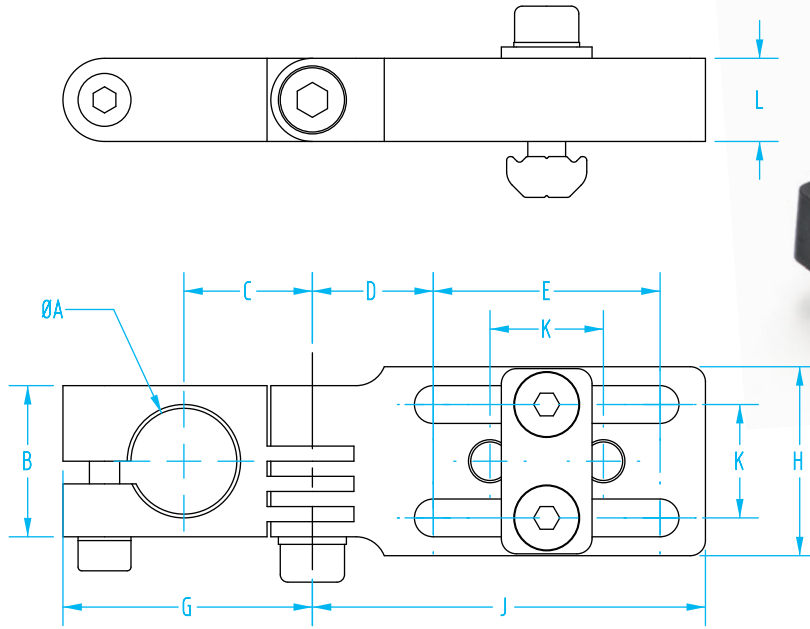
Angle Arm

Quick#	Part#	Price	ØA	ØB	C	D	E	F	G	H	L	Wt.
5705	MFI-A93	\$15.09	10	10	14	15	7	19	19	M4	10	8g
5706	MFI-A158	\$15.55	10	10	14	30	7	19	19	M4	10	10g
5707	MFI-A159	\$16.12	10	10	14	60	7	19	19	M4	10	15g
5708	MFI-A160	\$16.59	10	10	14	90	7	19	19	M4	10	20g
5709	MFI-A157	\$18.26	14	14	18	20	10	25	24	M5	14	15g
5710	MFI-A161	\$18.67	14	14	18	40	10	25	24	M5	14	20g
5711	MFI-A162	\$20.23	14	14	18	80	10	25	24	M5	14	30g
5712	MFI-A163	\$22.05	14	14	18	120	10	25	24	M5	14	40g
5713	MFI-A94	\$22.82	20	20	25	25	13	32	30	M6	20	35g
5714	MFI-A77	\$24.23	20	20	25	50	13	32	31	M6	20	45g
5715	MFI-A78	\$25.74	20	20	25	100	13	32	31	M6	20	70g
5716	MFI-A79	\$27.04	20	20	25	150	13	32	31	M6	20	105g
5717	MFI A95	\$27.54	30	20	40	25	19	25	45	M6	30	60g
5872	MFI-A203	\$28.73	30	30	40	40	19	44	47	M6	30	130g
5718	MFI-A164	\$29.59	30	30	40	80	19	44	46	M6	30	170g
5719	MFI-A165	\$30.33	30	30	40	140	19	44	46	M6	30	230g
7617	MFI-A165-H	\$64.74	30	30	40	140	19	44	46	2x M6	40	280g
5720	MFI-A166	\$31.00	30	30	40	200	19	44	46	M6	30	300g
7593	MFI-A166-H	\$62.24	30	30	40	210	19	44	46	2x M6	40	356g

Application Examples



Long Angle Clamp with Swivel Head



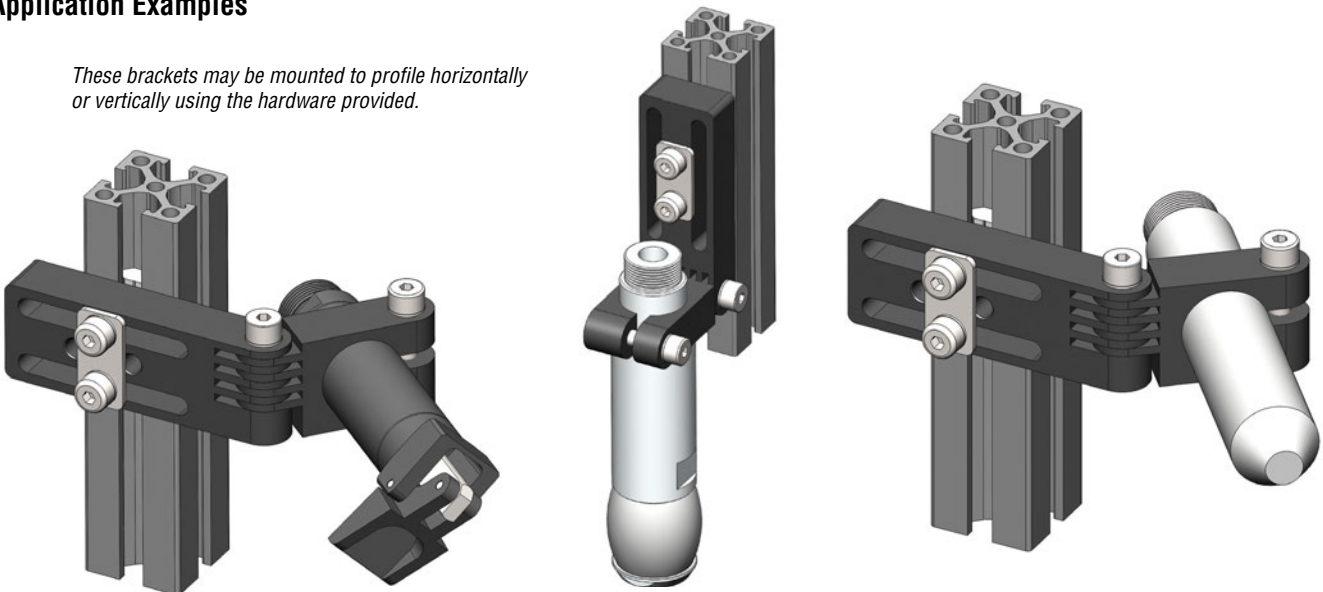
New, improved hinge design!

Long Angle Clamp with Swivel Head

Quick#	Part#	Price	ØA	B	C	D	E	G	H	J	K	L	Weight
7109	MFI-A250	\$32.00	10	16	14	13	20	26.5	16	38	8	9	30g
7110	MFI-A251	\$37.19	14	20	17	16	30	33	25	52	15	11	50g
7111	MFI-A252	\$39.40	20	25	22	19	40	42	25	65	15	13	90g
7112	MFI-A253	\$45.70	30	36	28	24	50	54.5	36	81	22	16	185g

Application Examples

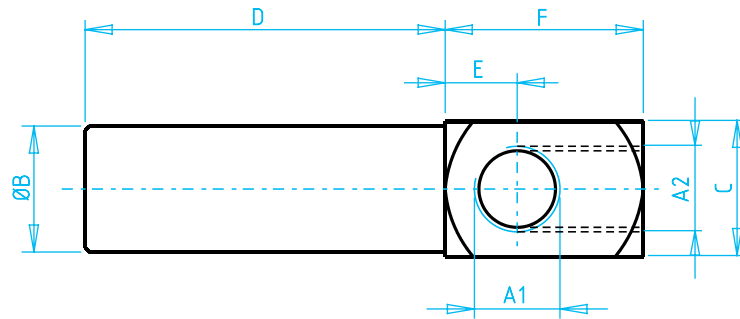
These brackets may be mounted to profile horizontally or vertically using the hardware provided.



Gripper Arm for Vacuum Cup



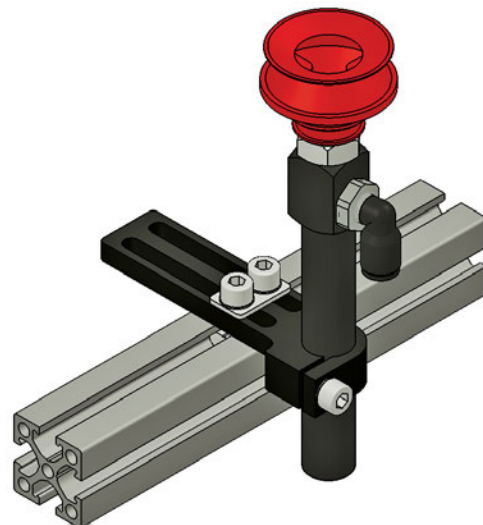
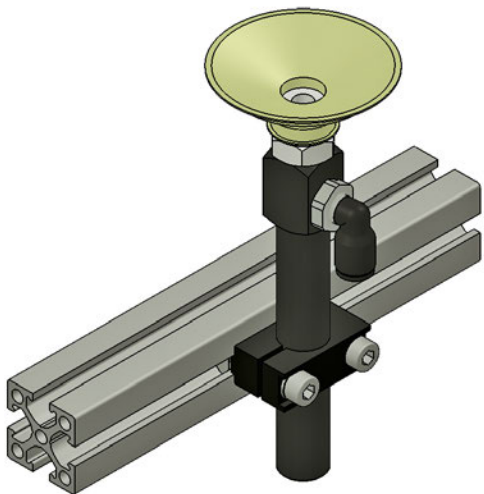
#5737



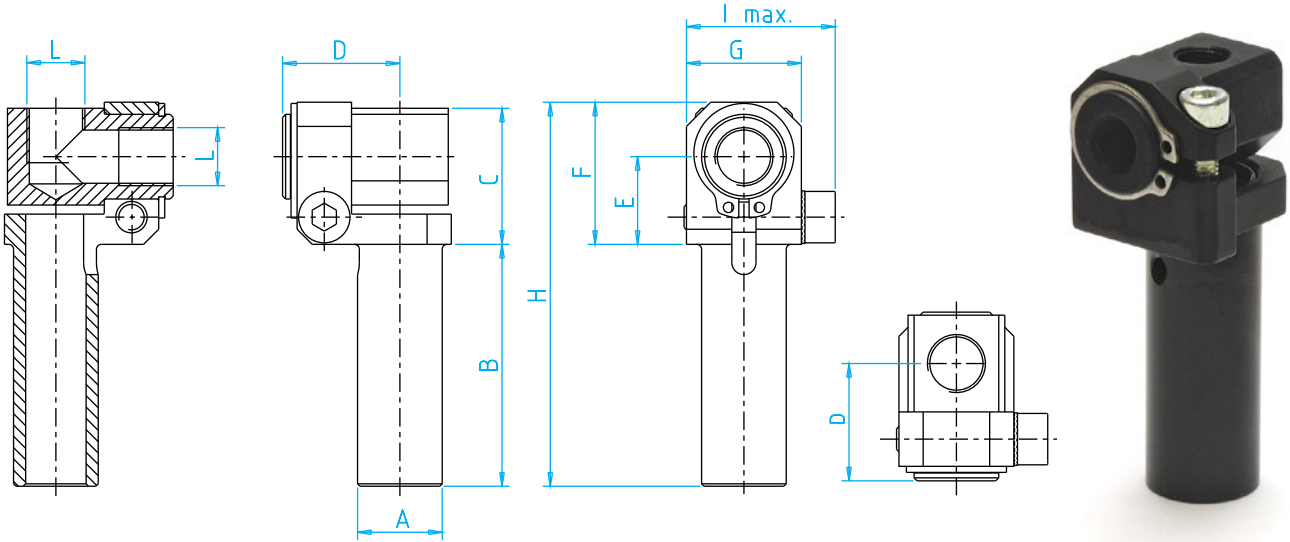
Gripper Arm for Vacuum Cup

Quick#	Part#	Price	A1	A2	ØB	C	D	E	F	Wt.
5731	MFI-A170	\$12.38	M5	M5	10	11	30	6	16	10g
5732	MFI-A171	\$13.05	M5	M5	10	11	60	6	16	13g
5733	MFI-A172	\$13.44	M5	M5	10	11	90	6	16	17g
5734	MFI-A71	\$17.94	G1/8"	G1/8"	14	15	40	8	22	17g
5735	MFI-A72	\$18.06	G1/8"	G1/8"	14	15	80	8	22	25g
5736	MFI-A73	\$19.06	G1/8"	G1/8"	14	15	120	8	22	32g
5737	MFI-A74	\$19.15	G1/8"	G1/4"	20	20	50	8	23	40g
5738	MFI-A75	\$19.26	G1/8"	G1/4"	20	20	100	8	23	60g
5739	MFI-A76	\$20.47	G1/8"	G1/4"	20	20	150	8	23	75g

Application Examples



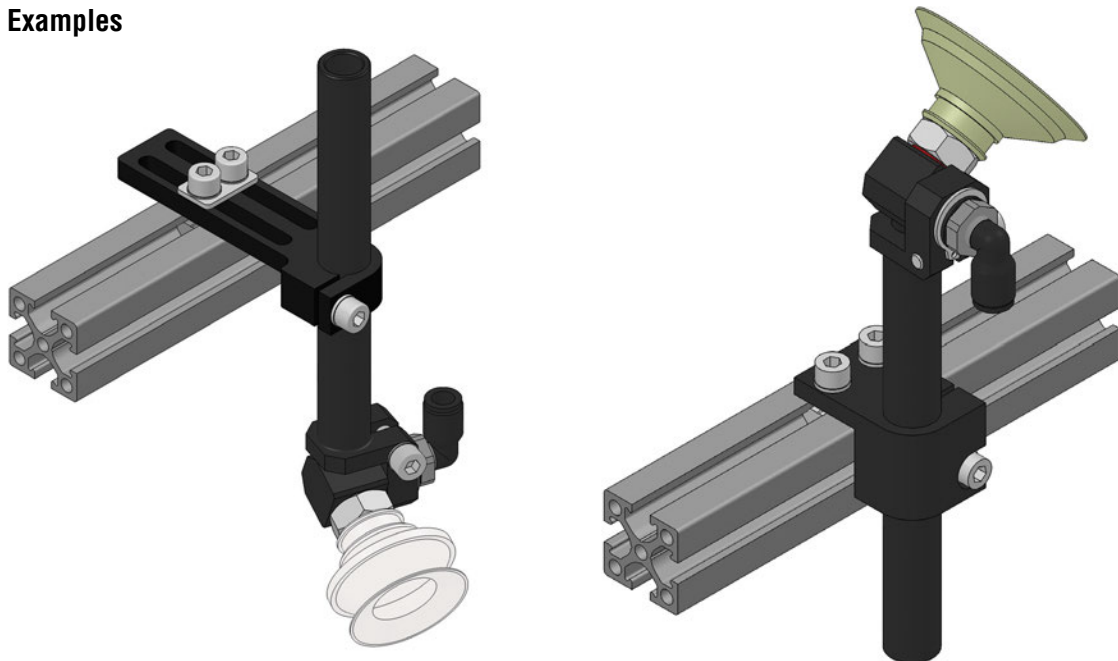
Elbow Arm for Vacuum Cup



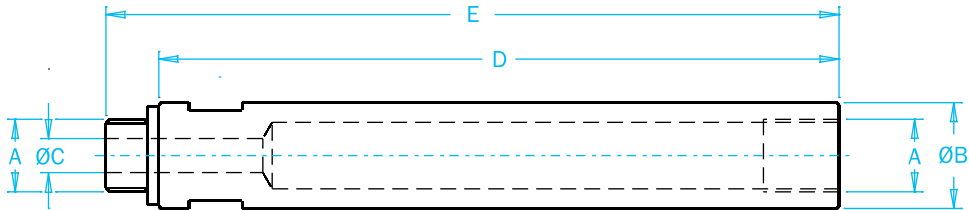
Elbow Arm for Vacuum Cup

Quick#	Part#	Price	ØA	B	C	D	E	F	G	H	I	L	Wt.
7288	MFI-A256	\$20.27	10	30	17	14.5	11	18	14	48	18.5	M5	14g
7289	MFI-A257	\$21.49	10	60	17	14.5	11	18	14	78	18.5	M5	17g
7290	MFI-A258	\$22.71	10	90	17	14.5	11	18	14	108	18.5	M5	20g
7291	MFI-A259	\$27.58	14	40	22.5	19.4	14.5	23.5	19	63.5	24.5	G1/8"	32g
7292	MFI-A260	\$29.91	14	80	22.5	19.4	14.5	23.5	19	103.5	24.5	G1/8"	40g
7293	MFI-A261	\$30.52	14	120	22.5	19.4	14.5	23.5	19	143.5	24.5	G1/8"	48g
7294	MFI-A290	\$31.52	20	50	28	23.3	18	30	24	80	31	G1/8"	63g
7295	MFI-A291	\$31.62	20	100	28	23.3	18	30	24	130	31	G1/8"	78g
7296	MFI-A292	\$32.95	20	150	28	23.3	18	30	24	180	31	G1/8"	93g
7297	MFI-A262	\$31.52	20	50	28	23.3	18	30	24	80	31	G1/4"	58g
7298	MFI-A263	\$31.62	20	100	28	23.3	18	30	24	130	31	G1/4"	73g
7299	MFI-A264	\$32.95	20	150	28	23.3	18	30	24	180	31	G1/4"	88g

Application Examples



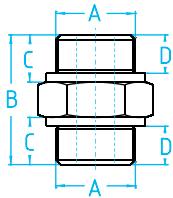
Vacuum Extension Tube



Vacuum Extension Tube

Quick#	Part#	Price	A	ØB	ØC	D	E	Wt.
5748	MFI-A154	\$9.48	M5	10	2	45	50	10g
5749	MFI-A155	\$9.98	M5	10	2	90	95	15g
5750	MFI-A150	\$10.93	G1/8"	14	4.5	45	52	15g
5751	MFI-A151	\$12.20	G1/8"	14	4.5	90	97	25g
5752	MFI-A152	\$12.44	G1/4"	20	6.5	45	53	30g
5753	MFI-A153	\$13.33	G1/4"	20	6.5	90	98	55g
7803	MFI-A506	\$34.32	G3/8"	30	10	150	159	210g

Use Quick#s for easy online ordering.



Male to Male Adaptor Fitting

Quick#	Part#	Price	A	B	C	D	Wt.
5782	AF05M05M	\$3.23	M5	11.5	4	3	3g
5783	AF18M18M	\$2.33	G1/8"	17	7	5.5	3g
5784	AF14M14M	\$4.27	G1/4"	22	8	6.5	7g



Application Examples

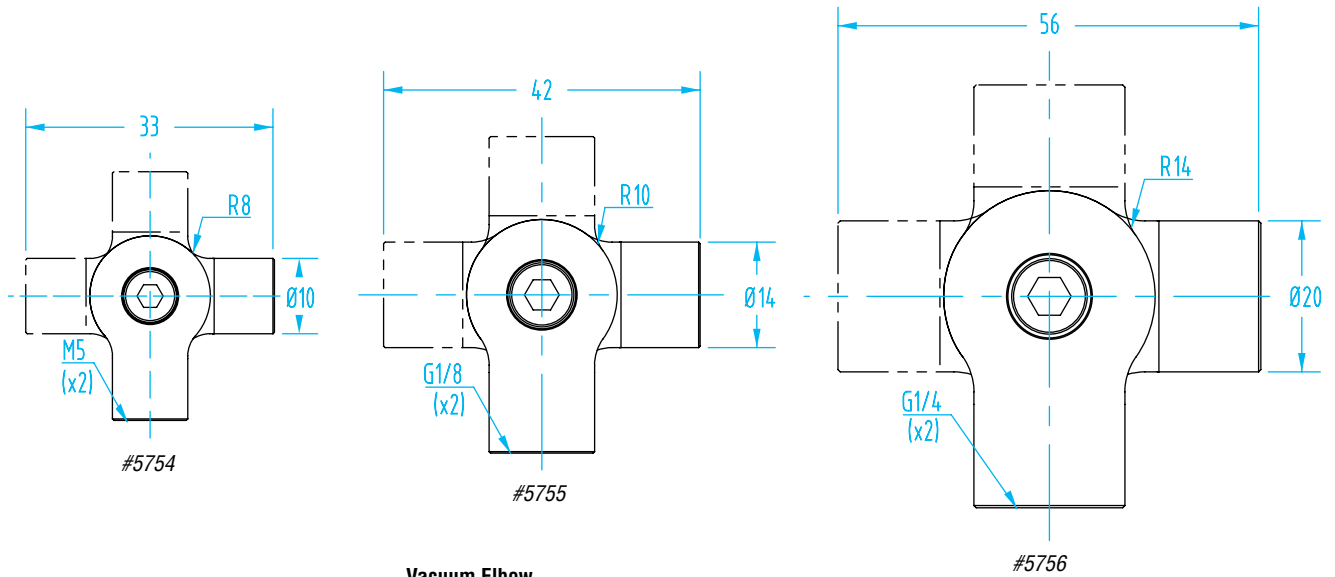


Vacuum Elbow

- Mount between the vacuum cup and suspension or extension tube.
- Sets the angle of a vacuum cup between 0° and ± 90°.
- By tightening one screw the angle is fixed.
- Integrated vacuum channel.
- Adaptor fittings available on page 258.
- For vacuum circuits only.



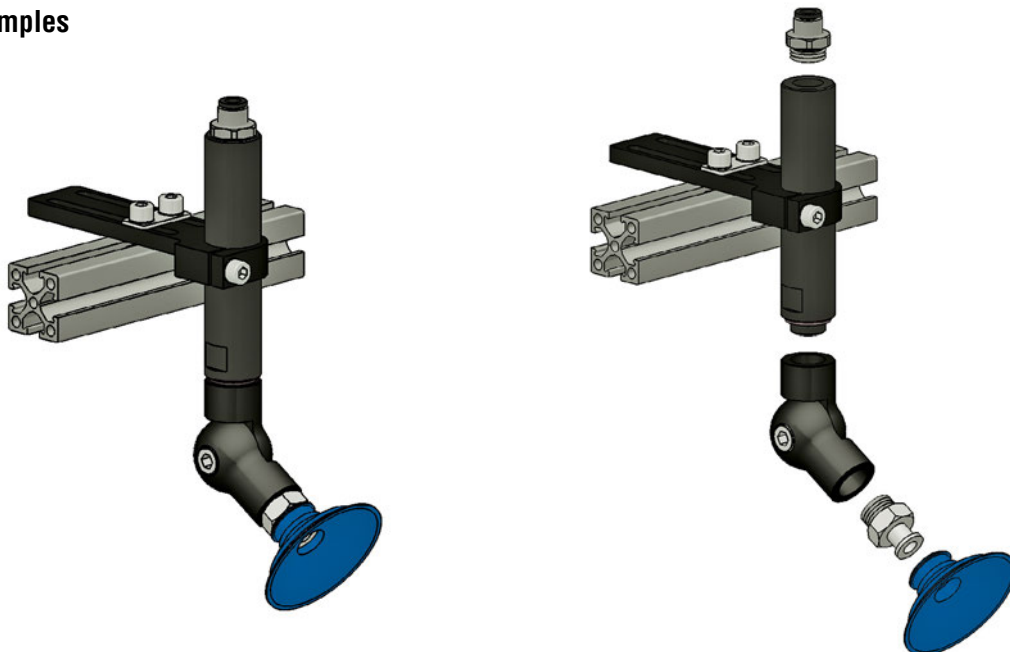
#5755



Vacuum Elbow

Quick#	Part#	Price	Ports	Wt.
5754	VAC05F05F	\$13.35	M5	10g
5755	VAC18F18F	\$14.38	G1/8"	15g
5756	VAC14F14F	\$20.09	G1/4"	40g

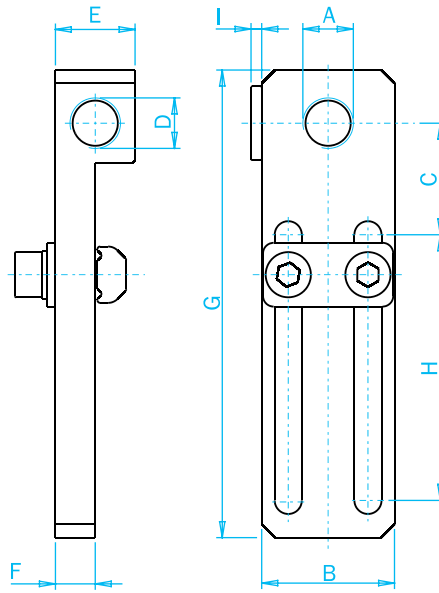
Application Examples



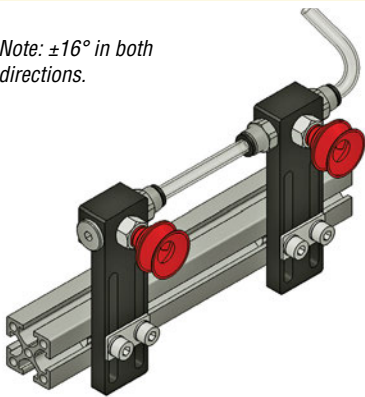
Vacuum Cup Connectors



#5759



Note: $\pm 16^\circ$ in both directions.

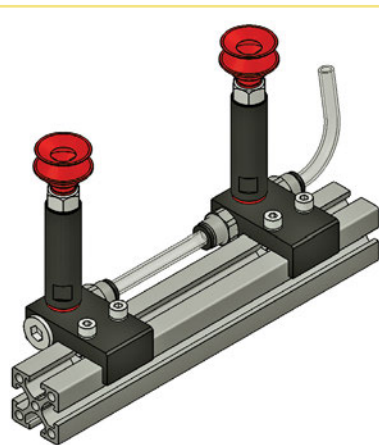
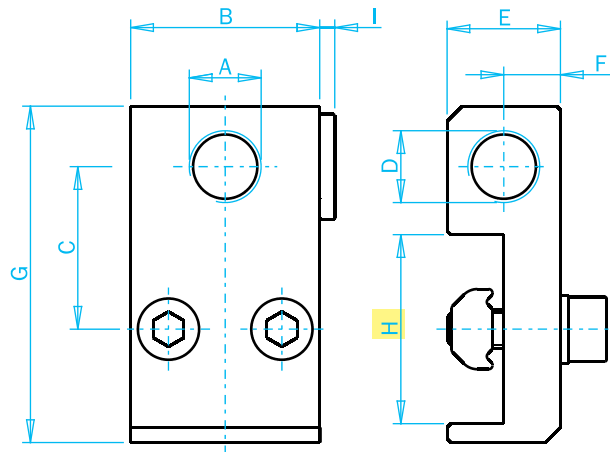


Long Mounting Bracket for Vacuum Cups

Quick#	Part#	Price	A	B	C	D	E	F	G	H	I	Wt.
5757	MFI-A51	\$12.75	M5	16	14	M5	8	4	65	40	2	20g
5758	MFI-A52	\$17.80	G1/8"	25	21	G1/8"	15	7.5	88	50	2	60g
5759	MFI-A53	\$17.94	G1/4"	25	21	G1/8"	15	7.5	88	50	2	60g



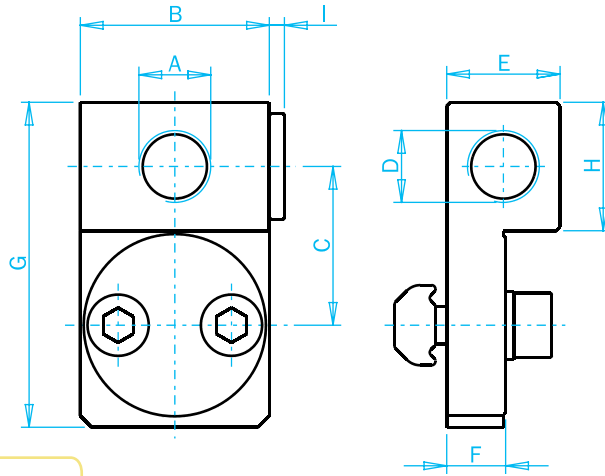
#5767



Mounting Bracket for Vacuum Cups

Quick#	Part#	Price	A	B	C	D	E	F	G	H	I	Wt.
5765	MFI-A48	\$10.75	M5	16	13.5	M5	8	4	29	18	2	15g
5766	MFI-A49	\$13.73	G1/8"	25	21.5	G1/8"	15	7.5	45	25	2	45g
5767	MFI-A50	\$14.70	G1/4"	25	21.5	G1/8"	15	7.5	47	25	2	45g

Vacuum Cup Connectors

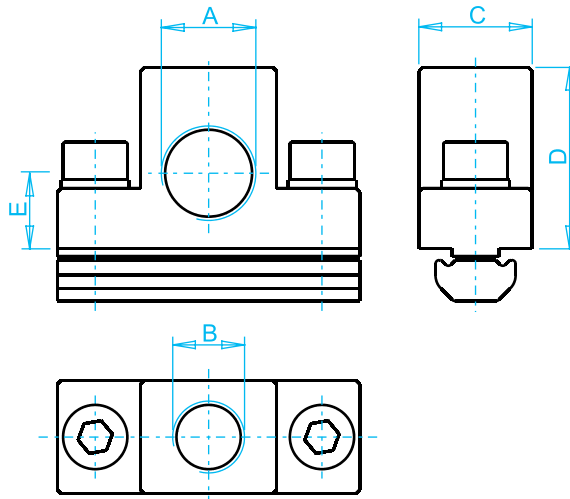


#5764



Adjustable Angle Connector for Vacuum Cups

Quick#	Part#	Price	A	B	C	D	E	F	G	H	I	Wt.
5762	MFI-A54	\$13.62	M5	16	13	M5	10	5.3	28	10	2	15g
5763	MFI-A55	\$17.32	G1/8"	25	21	G1/8"	15	7.8	43	17	2	45g
5764	MFI-A56	\$19.06	G1/4"	25	21	G1/8"	15	7.8	43	17	2	42g



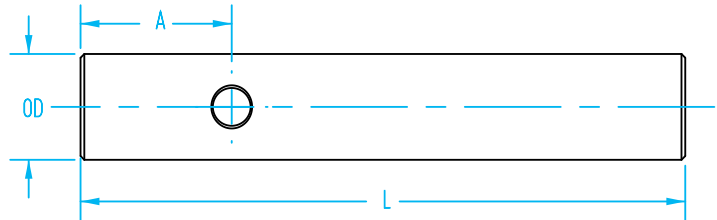
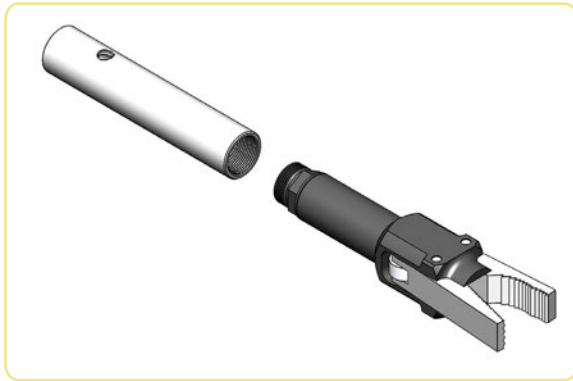
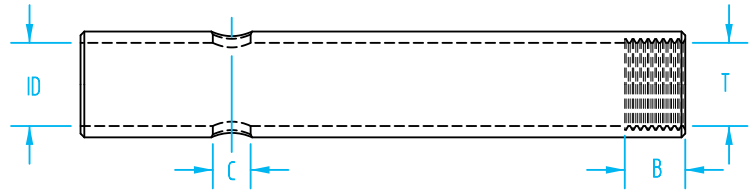
#5760



Direct Connector for Vacuum Cups

Quick#	Part#	Price	A	B	C	D	E	Wt.
5760	MFI-A46	\$10.09	G1/8"	G1/8"	15	24	12	42g
5761	MFI-A47	\$10.11	G1/4"	G1/8"	15	24	10	40g
7805	MFI-A508	\$25.81	G3/8"	G3/8"	35	34	12	100g

Extension Tube (not for Vacuum)



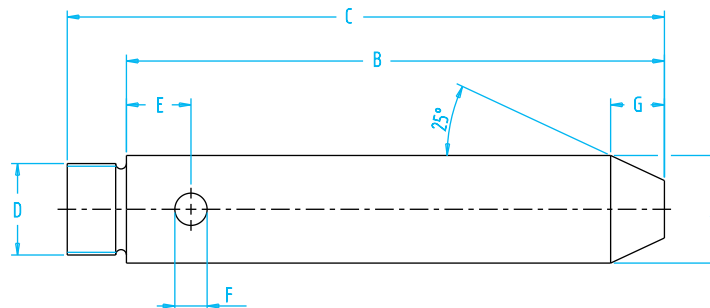
Extension Tube (Not for Vacuum)

Quick#	Part#	Price	OD	ID	A	B	ØC	L	T	Wt.
5993	OF10L60	\$7.64	10	7	15	8	3.5	60	M8x1	7g
5842	OF14L80	\$7.50	14	11	20	8	5	80	M12x1	10g
5843	OF20L100	\$9.72	20	16	25	12	6	100	M17x1	30g
5994	OF20L250	\$15.44	20	16	125	12	6	250	M17x1	75g
5844	OF30L120	\$12.59	30	25	30	14	8	120	M27x1	65g
5995	OF30L250	\$19.60	30	25	125	14	8	250	M27x1	145g

Use Quick#s for easy online ordering.

Centering Pin

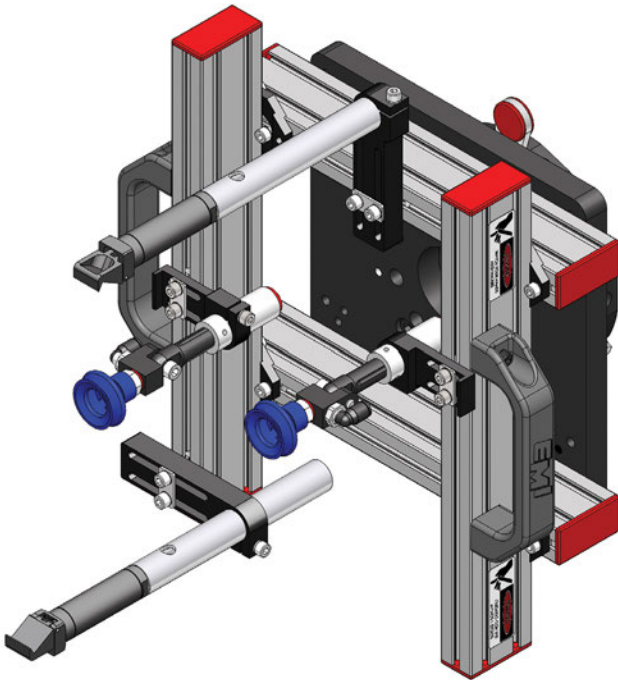
- Finger stops found on pages 526–528 can be used with centering pins to help position a part.



Centering Pin

Quick#	Part#	Price	ØA	B	C	D	E	ØF	G	Wt
7447	MFI-A235	\$17.58	10	60	68	M8x1	6	3.5	5	7g
7448	MFI-A236	\$18.62	14	80	88	M12x1	8	5	7	20g
7449	MFI-A237	\$19.66	20	100	111	M17x1	12	6	10	45g
7450	MFI-A238	\$20.70	30	100	113	M27x1	15	8	14	104g

EOAT Handle



- Use this handle to securely pick up EOAT's. You can use more than one for heavy EOATs.
- See page 82 for dimensional drawing.

EOAT Handle

Quick#	Part#	Price	Wt.
700	EOAT-HANDLE	\$14.00	70g

Note: Includes hardware.

Ideal for those who assemble their own EOAT in-house and want to apply safety labels to the EOAT

- 21 stickers combining English and Spanish.
- Designed to adhere to 25mm and 40mm profile.
- Contextual warnings specifically for EOAT.

EOAT Safety Labels

EOAT Safety Labels

Quick#	Part#	Price
9054	SAFETY 1	\$0.99

