

Sprue Grippers Overview

EMI offers the largest 'in stock' selection of sprue grippers with models from Senvex®, >ASS<®, Harmo®, Gimatic® and more.

We also offer a complete selection of mounting brackets, sensors, fingers, rebuild kits etc. Not sure which is the best gripper for your application? Weight, durability, size, sensor capability and other features are all factors. Contact our EOAT engineering department to help you select the best gripper for your application.



Mini Grippers

p.430



Price	Grip Force	Sprue Ø
\$103 & up	14.5 lbf	3–9mm

Micro Gripper

p.442



Price	Grip Force	Sprue Ø
\$104 / \$119	6 lbf	1–6mm

Nano Gripper

p.443



Price	Grip Force	Sprue Ø
\$106.00	0.88 lbf	1–5.5 mm

Die Cast Grippers

p.441



Price	Grip Force	Sprue Ø
\$89/ \$99	11 lbf	3–9mm

Compact Grippers

p.444



Price	Grip Force	Sprue Ø
\$159 & up	45 lbf	1–16mm

Compact Grippers with Vacuum Detection

p.446



Price	Grip Force	Sprue Ø
\$179.00	45 lbf	3–12mm

The Senvex Original

p.454



Price	Grip Force	Sprue Ø
\$237.00	22.5 / 27 lbf	4–14mm

Value Gripper

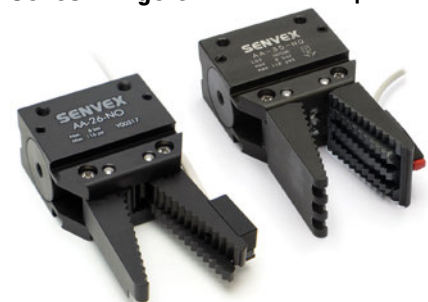
p.456



Price	Grip Force	Sprue Ø
\$145.00	19 / 22.5 lbf	4–12mm

Sensor Fingers

p.457



Price	Grip Force	Sprue Ø
\$186 & up	19 / 22.5 lbf	4–12mm

Sprue Grippers Overview

Large Diameter & Deep Reach Grippers p.455



Price	Grip Force	Sprue Ø
\$259 & up	16 / 19.5 lbf	10–25mm

AA- Gripper Mounting Brackets p.458



Replacement Parts



Replacement Parts for Gimatic and Senvex components are available on EMIcorp.com

Mini (GRZ 10-12) p.476



Price	Grip Force	Sprue Ø
\$138 & up	11 lbf	1–9mm

Micro (GRZ 10-08) p.486



Price	Grip Force	Sprue Ø
\$124 & up	6.5 lbf	1–6mm

Nano (GRZ 10-06 / 06-06) p.490



Price	Grip Force	Sprue Ø
\$91 & up	1.34 lbf	1–6mm

Full Body (GRZ 20-20) p.462



Price	Grip Force	Sprue Ø
\$182 & up	32 lbf	2–12mm

Compact (GRZ 20-16) p.492



Price	Grip Force	Sprue Ø
\$182 & up	14.61 lbf	2–12mm

Medium Body (GRZ 14) p.470



Price	Grip Force	Sprue Ø
\$183 & up	18.5 lbf	2–12mm

Harmo Sprue Gripper p.502



Price	Grip Force	Sprue Ø
\$190–\$280	13–18 lbf	4–12mm

Harmo Angular p.503



Price	Grip Force	Sprue Ø
\$160–\$280	13 / 28 lbf	-

High Power p.460



Price	Grip Force	Sprue Ø
\$108 & up	448 / 790 lbf	5–15mm

Original Style Mini Sprue Gripper with Sensor Jaw – PB-0013

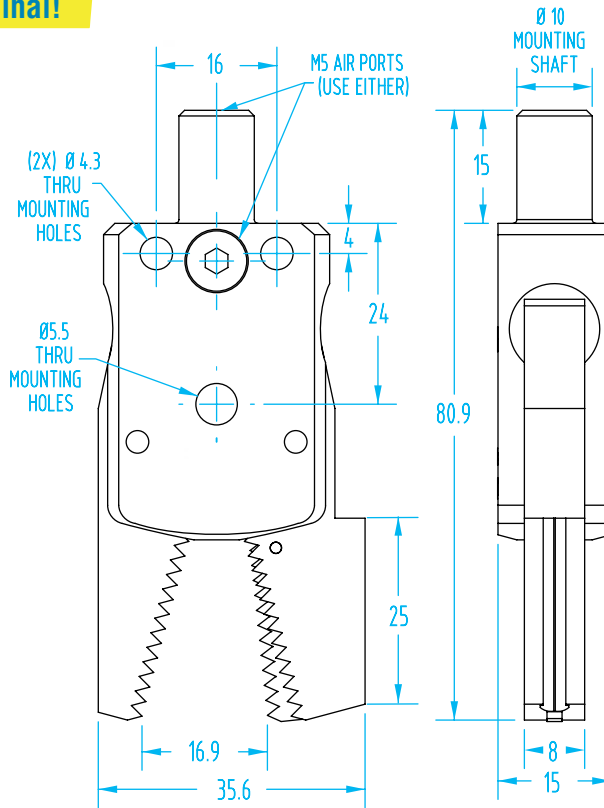
(Dimensioned drawings shown full scale)

The Original!

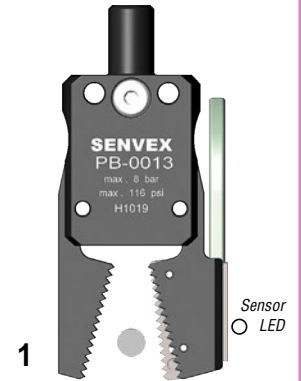


#1878
\$113.00

- **Simple, easy sensing.** A single sensor mounted on the finger confirms 'sprue gripped' and eliminates the 'hide and seek' process of sensor set-up.
- Steel trigger is longer lasting and has a higher temperature range than the previous red plastic finger.
- Higher grip force than other similarly sized sprue grippers.
- Serrated fingers hold small and medium sprues firmly.
- Ø10mm diameter mounting post with M5 air port allows this gripper to be used with standard mounting and air connection components. Alternate M5 air port on front of gripper can be used.



SPRUE SENSING



1
Sprue gripper is OPEN; and ready to grip sprue. The red spring loaded lever arm is open. The sensor circuit is 'open.'



2
Sprue gripper is CLOSED; and gripping the sprue. Pressure from the sprue deflects the metal spring loaded lever arm into the gripper finger. The close proximity of the lever arm to the sensor closes the circuit, illuminates the LED, and indicates that the sprue is gripped.



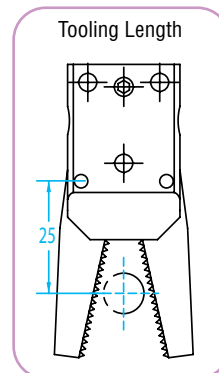
3
Sprue gripper is CLOSED; and missing the sprue. The metal spring loaded lever arm remains in its open position although the gripper is closed.

Quick#	Part#	Price	Style	Applicable Sprue Ø	Closing Force at 25mm Tooling Length*	Weight
1878	GSG-PB-0013S	\$113.00	w/ Sensor Trigger	3–9mm	14.5 lbf	48g
Order sensors separately See Sensor Reference Guide on page 1008 for a complete list of sensors for PB Grippers.						
1882	SS4N225G	\$27.20	PNP sensor	with lead, 2.5m long		6–24vdc
6282	SS3N203G	\$31.16	PNP sensor	M8 male connector, 0.3m long**		6–24vdc
1883	SS4M225G	\$27.20	NPN sensor	with lead, 2.5m long		6–24vdc
1884	SS3M203G	\$31.16	NPN sensor	M8 male connector, 0.3m long**		6–24vdc

Note: 2-wire reed sensors are not recommended for grippers.

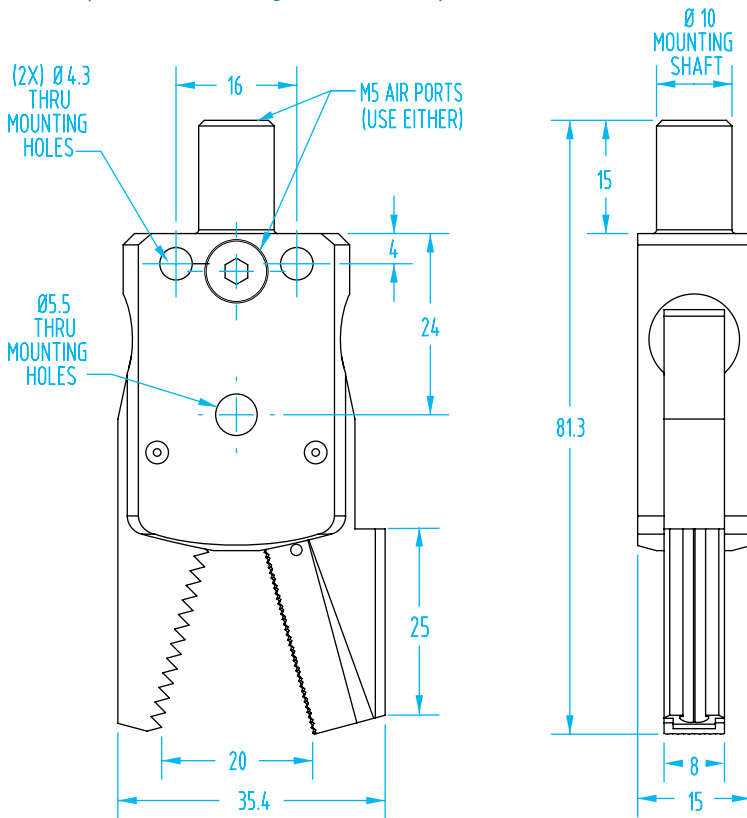
* The Closing Force listed is both jaws combined when supplied at 87psi. Tooling length is measured from jaw pivot point.

(**) M8 Extension cables Quick#s 2582 & 2583 available on page 987.



Original Style Sprue Gripper with Steel Sensor Finger – PB

(Dimensioned drawings shown full scale)



The Original!



#6988
\$148.00



#6999
\$158.00

Quick#	Part#	Price	Jaw Style	Applicable Sprue Ø	Closing Force at 25mm Tooling Length*	Weight
6988	PB-0180-S	\$148.00	Aluminum Jaw w/ Sprue Detect	3–9mm	14.5 lbf	60g
6999	PB-0181-S	\$158.00	Steel Jaw w/ Sprue Detect	3–9mm	14.5 lbf	75g
7287	PB-0182-S	\$155.00	Steel Saw Jaw w/ Sprue Detect	3–9mm	11.0 lbf	75g
Order sensors separately See Sensor Reference Guide on page 1008 for a complete list of sensors for PB Grippers.						
1882	SS4N225G	\$27.20	PNP sensor	with lead, 2.5m long		6–24vdc
6282	SS3N203G	\$31.16	PNP sensor	M8 male connector, 0.3m long**		6–24vdc
1883	SS4M225G	\$27.20	NPN sensor	with lead, 2.5m long		6–24vdc
1884	SS3M203G	\$31.16	NPN sensor	M8 male connector, 0.3m long**		6–24vdc

- Piston bore: 12mm
- Single-acting with protected opening spring
- Sensor on the jaw (purchase separately)
- Steel sensor finger
- Dimensional drawing for the Saw Jaw, Quick# 7287 can be found online.

Note: 2-wire reed sensors are not recommended for grippers.

* The Closing Force listed is both jaws combined when supplied at 87psi. Tooling length is measured from jaw pivot point.

** M8 Extension cables Quick#s 2582 & 2583 available on page 985.



Replacement Parts for Gimatic and Senvex components are available on EMICorp.com
Fingers, Pistons, O-rings, and more!



#7287
\$155.00

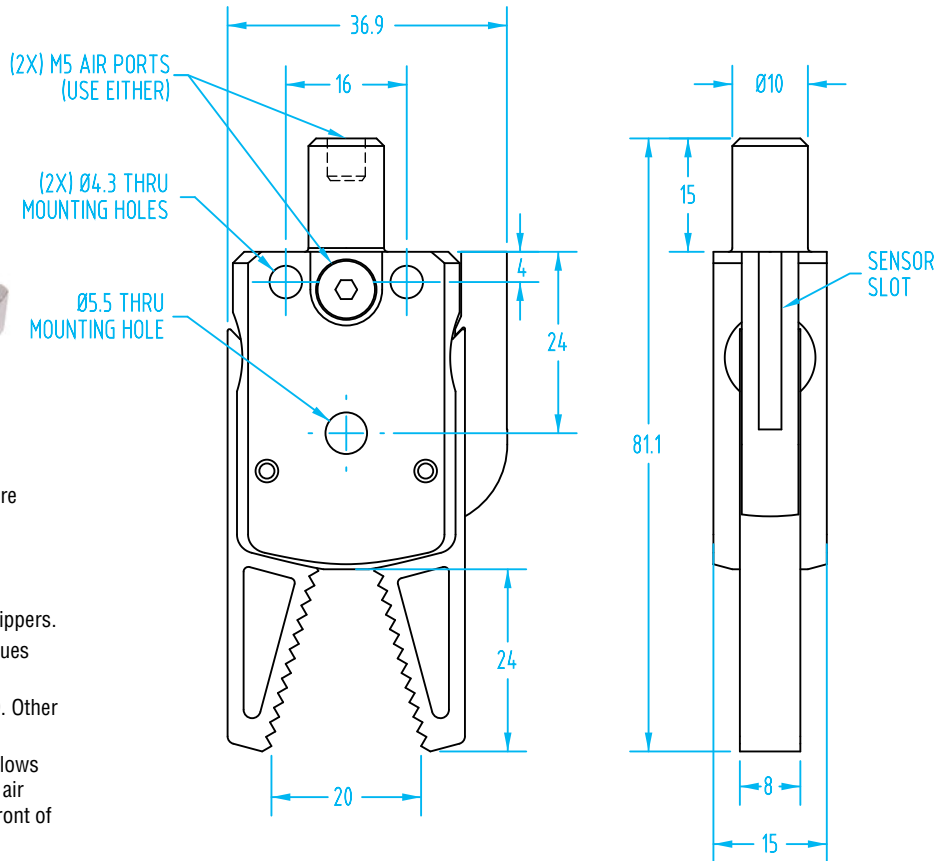
New Style Mini Sprue Gripper with Sensor Slot – PB-0180-S2 & PB-0187-S2



#7701
\$109.00

NEW

- New Sensor Slot position provides sensing with more space around the jaws due to relocated sensor slot.
- Angular, non-self-centering.
- Single-acting with protected opening spring.
- Higher grip force than other similarly sized sprue grippers.
- #7701: Serrated fingers hold small and medium sprues firmly.
- #7702: Replacement HNBR pads listed on page 439. Other replacement parts are available online.
- Ø10mm diameter mounting post with M5 air port allows this gripper to be used with standard mounting and air connection components. Alternate M5 air port on front of gripper can be used.



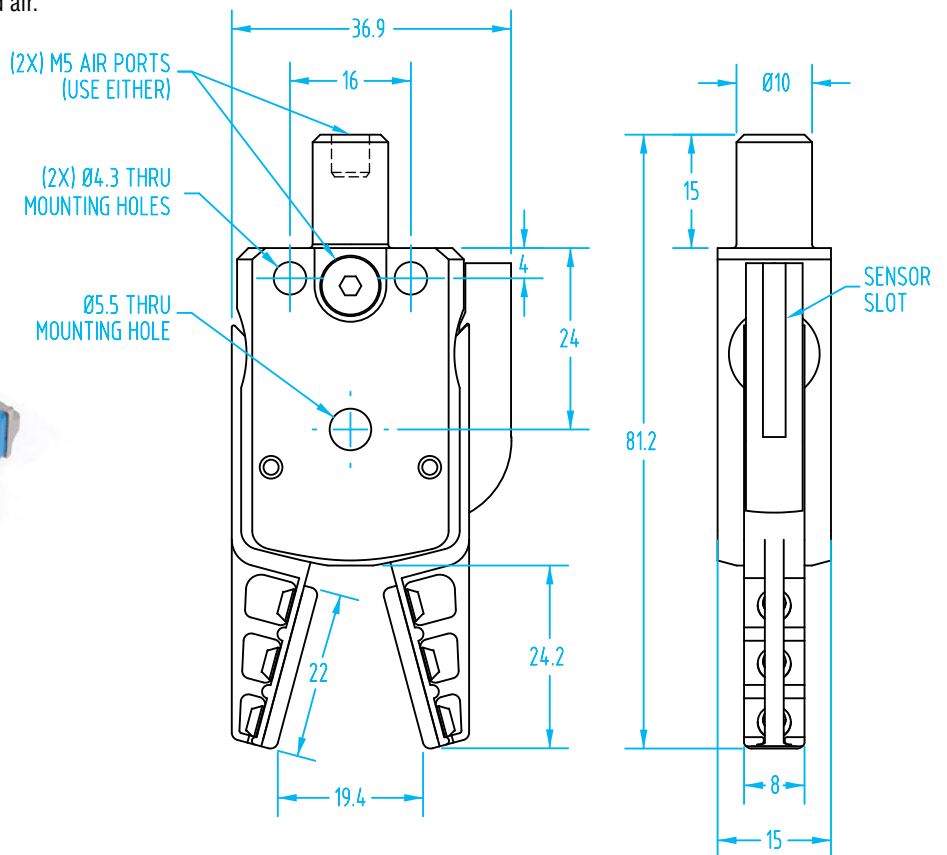
SET-UP NOTE: The sensor will only send a signal when the gripper is actuated with compressed air.



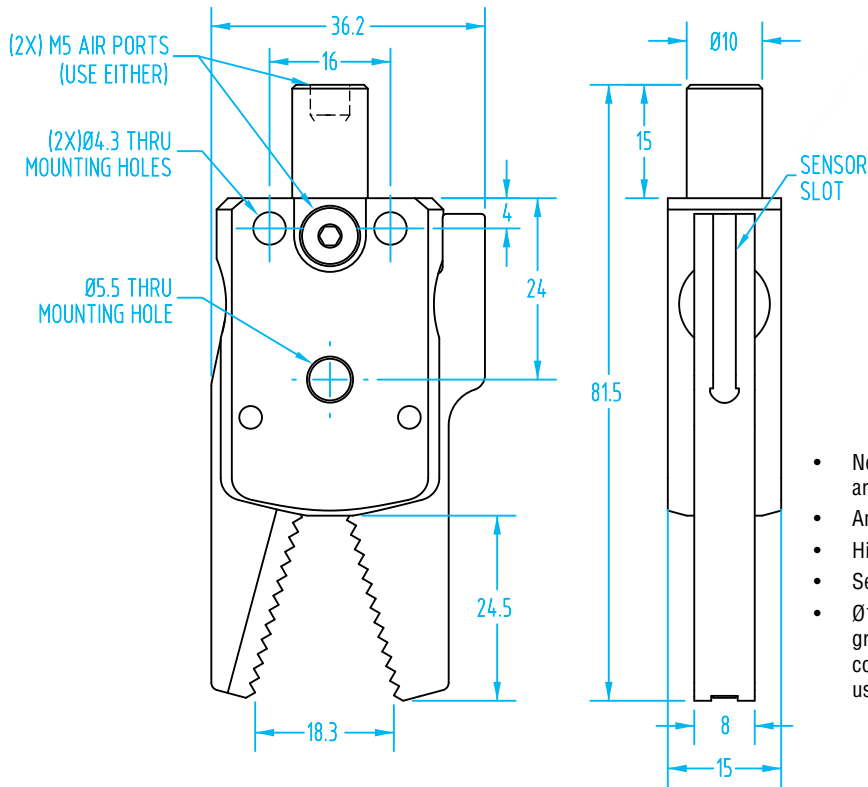
#7702
\$119.00

NEW

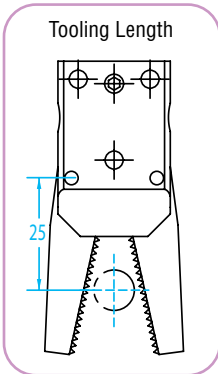
Fittings Available
on page 1047



New Style Mini Sprue Gripper with Sensor Slot – PB-0013-S2



- New Sensor Slot position provides sensing with more space around the jaws due to relocated sensor slot.
- Angular, non-self-centering.
- Higher grip force than other similarly sized sprue grippers.
- Serrated fingers hold small and medium sprues firmly.
- Ø10mm diameter mounting post with M5 air port allows this gripper to be used with standard mounting and air connection components. Alternate M5 air port on front of gripper can be used.



Quick# 7700 features a durable grooved jaw without a moving trigger. Sensing has been moved to the body of the gripper.

Quick#	Part#	Price	Style	Applicable Sprue Ø	Closing Force at 25mm Tooling Length*	Weight
7701	PB-0180-S2	\$109.00	Serrated w/ Sprue Detect	3–9mm	14.5 lbf	60g
7702	PB-0187-S2	\$119.00	HNBR Pads w/ Sprue Detect	3–9mm	11.0 lbf	58g
7700	PB-0013-S2	\$119.00	Grooved w/ Sprue Detect	3–9mm	14.5 lbf	50g
Order sensors separately See Sensor Reference Guide on page 1008 for a complete list of sensors for PB Grippers.						
7591	SSY4N225G	\$27.20	PNP high sensitivity sensor		with lead, 2.5m long	6–30 Vdc
7590	SSY4M225G	\$27.20	NPN high sensitivity sensor		with lead, 2.5m long	6–30 Vdc
7589	SSY3N203G	\$31.16	PNP high sensitivity sensor	M8 male connector, 0.3m long**		6–30 Vdc
7588	SSY3M203G	\$31.16	NPN high sensitivity sensor	M8 male connector, 0.3m long**		6–30 Vdc
7644	PRO-SSR4N225G	\$70.00	PNP teachable sensor		with lead, 2.5m long	24 Vdc
7645	PRO-SSR4M225G	\$70.00	NPN teachable sensor		with lead, 2.5m long	24 Vdc
7646	PRO-SSR3N215G	\$87.00	PNP teachable sensor	M8 male connector, 0.3m long**		24 Vdc
7647	PRO-SSR3M215G	\$87.00	NPN teachable sensor	M8 male connector, 0.3m long**		24 Vdc

SET-UP NOTE: The sensor will only send a signal when the gripper is actuated with compressed air.

Note: 2-wire reed sensors are not recommended for grippers.

* The Closing Force listed is both jaws combined when supplied at 87psi. Tooling length is measured from jaw pivot point.

** M8 Extension cables Quick#'s 2582 & 2583 available on page 985.

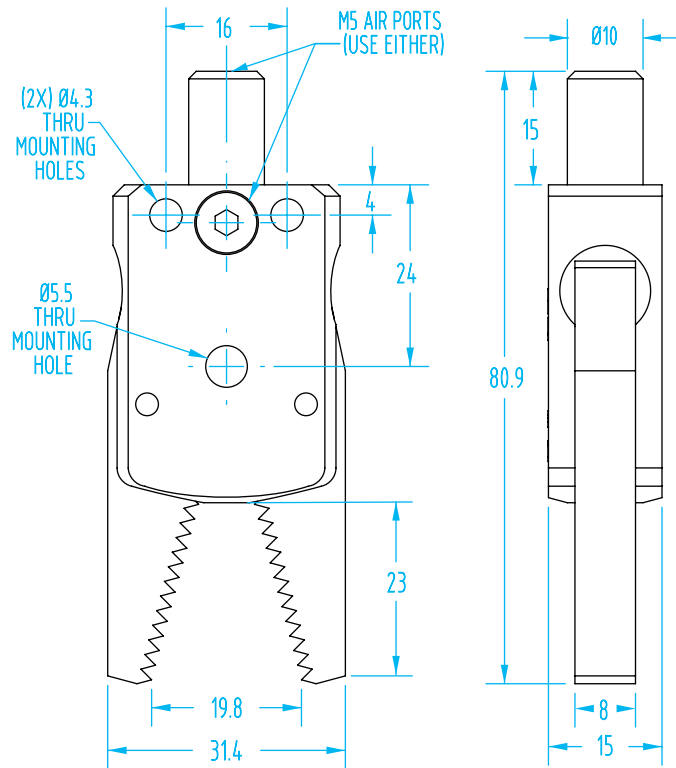
Mini Sprue Gripper – PB-0014 & PB-0015

(Dimensioned drawings shown full scale)



#1879
\$103.00

- Higher grip force than other similarly sized sprue grippers.
- Interlaced and serrated fingers hold small and medium sprues firmly.
- Angular, non-self-centering.
- Ø10mm diameter mounting post with M5 air port allows this gripper to be used with standard mounting and air connection components. Alternate M5 air port on front of gripper can be used.
- Replacement parts available online.



Quick#	Part#	Price	Operation	Applicable Sprue Ø	Closing Force at 25mm Tooling Length*	Weight
1879	PB-0014	\$103.00	Normally Open	3–9mm	14.5 lbf	48g
6473	GSG-PB-0015	\$145.00	Double Acting	3–9mm	11.0 lbf	48g

* The Closing Force listed is both jaws combined when supplied at 87psi. Tooling length is measured from jaw pivot point.

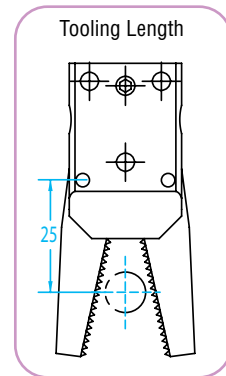
Use Quick#s for easy online ordering.



#6473
\$145.00

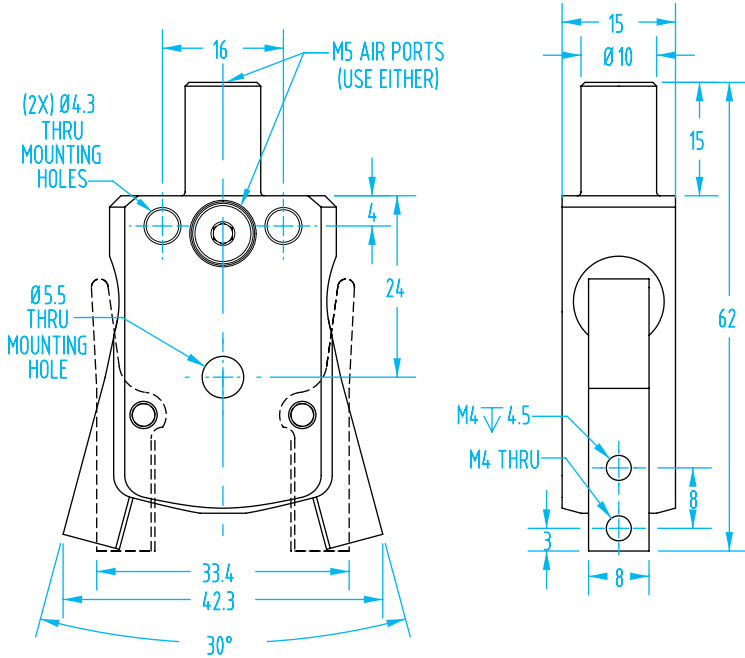


Replacement Parts for Gimatic and Senvex components are available on EMIcorp.com
Fingers, Pistons, O-rings, and more!



Mini Sprue Gripper with Custom Jaws – PB-0017

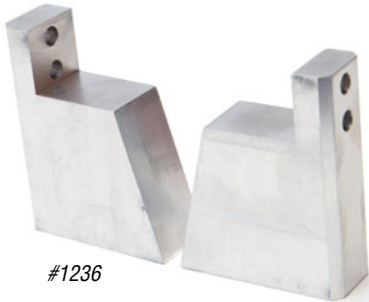
(Dimensioned drawings shown full scale)



- Single-acting with protected opening spring.
- Higher grip force than other similarly sized sprue grippers.
- Angular, non-self-centering.
- Ø10mm diameter mounting post with M5 air port allows this gripper to be used with standard mounting and air connection components. Alternate M5 air port on front of gripper can be used.
- Replacement parts available online.

Quick#	Part#	Price	Style	Closing Force at 25mm Tooling Length*	Weight
7116	PB-0017	\$121.00	For custom jaws	11.0 lbf	45g

* The Closing Force listed is both jaws combined when supplied at 87psi. Tooling length is measured from jaw pivot point.



#1236

Finger Blanks - priced per PAIR

Quick#	Part#	Description	Price
1236	PB-0017-FBA	Aluminum, 15mm thick	\$21.83
1237	PB-0017-FBP	Acetal, 15mm thick	\$21.83

Includes fasteners.

Gripper shown fully open:

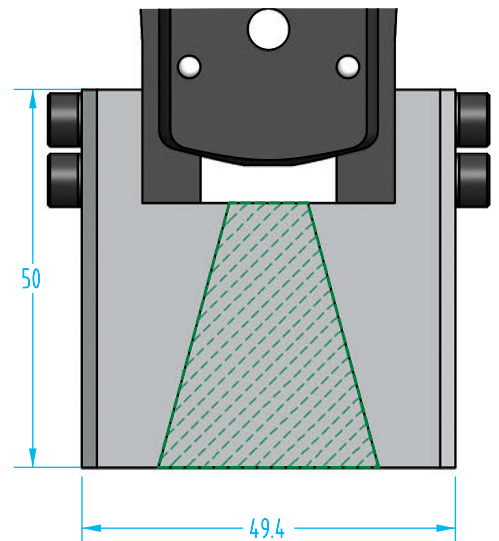
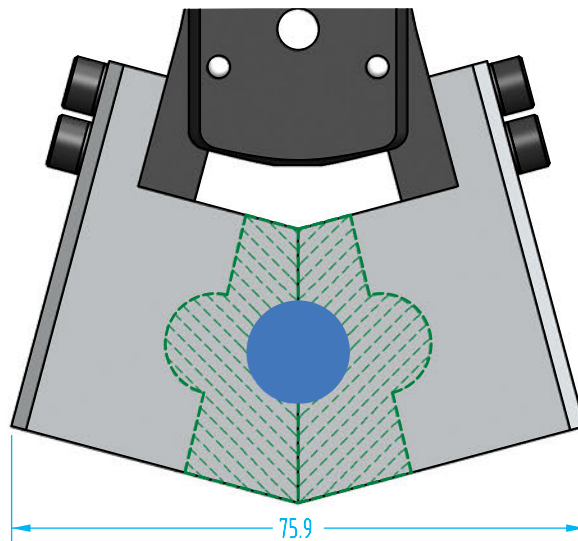
- Part to be gripped (example)
- Material to be machined away (example)

Gripper shown fully closed:

- Overlapping area when gripper is fully closed

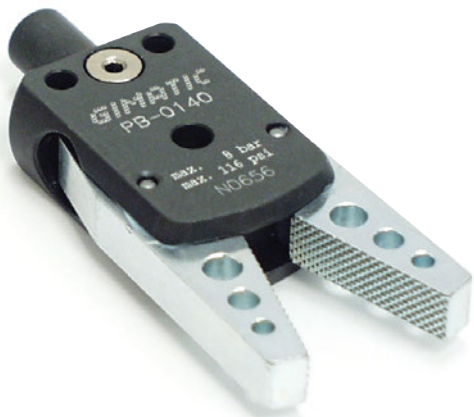


Example Custom Finger

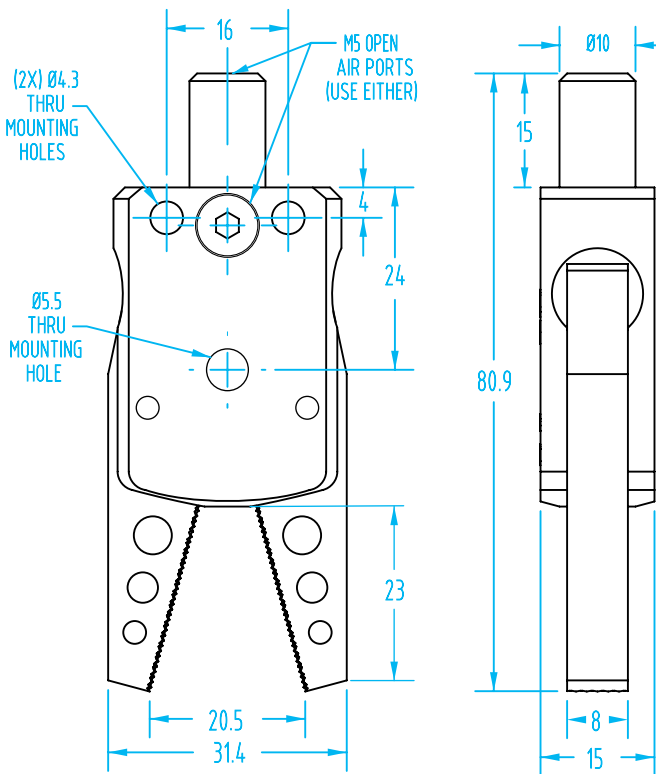


Mini Diamond-Textured Sprue Gripper – PB-0140

(Dimensioned drawings shown full scale)



- This is the same gripper as the PB-0014 except this gripper has diamond textured steel teeth. Holds small and medium sprues firmly.
- Angular, non-self-centering.
- Higher grip force than other similarly sized sprue grippers.
- 10mm diameter mounting post with M5 air port allows this gripper to be used with standard mounting and air connection components. Alternate M5 air port on front of gripper can be used.
- Replacement parts available online.



Quick#	Part#	Price	Style	Applicable Sprue Ø	Closing Force at 25mm Tooling Length*	Weight
6652	PB-0140	\$145.00	Diamond Textured Jaws	1–9mm	14.5 lbf	48g

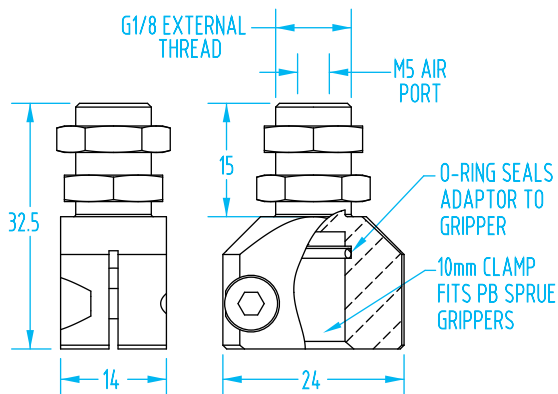
* The Closing Force listed is both jaws combined when supplied at 87psi. Tooling length is measured from jaw pivot point.

Fittings Available on page 1047

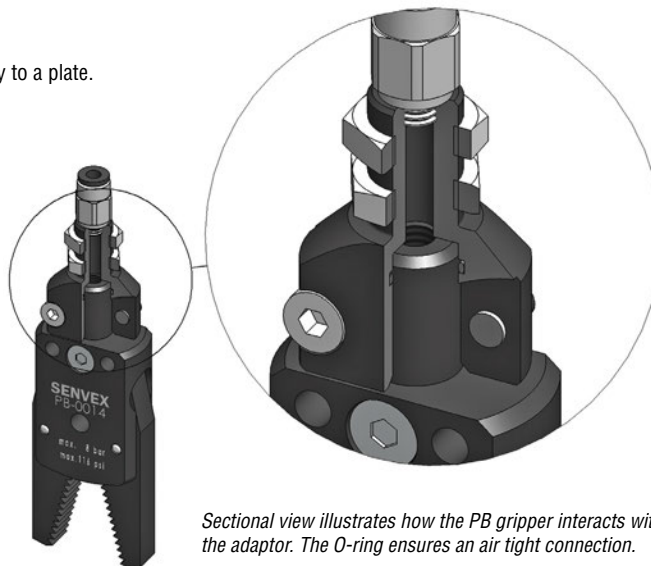


Mini Sprue Gripper Adaptor

- The mini sprue gripper adaptor allows for a more robust mounting option.
- The external threads can be used to mount PB grippers to brackets or directly to a plate.



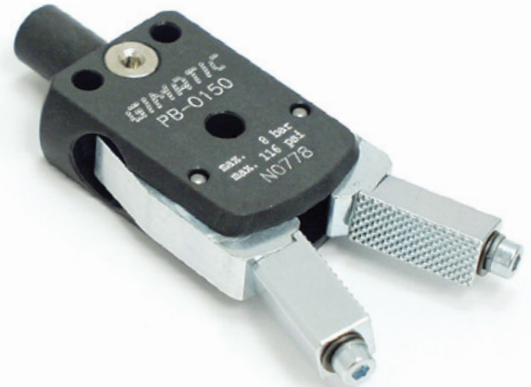
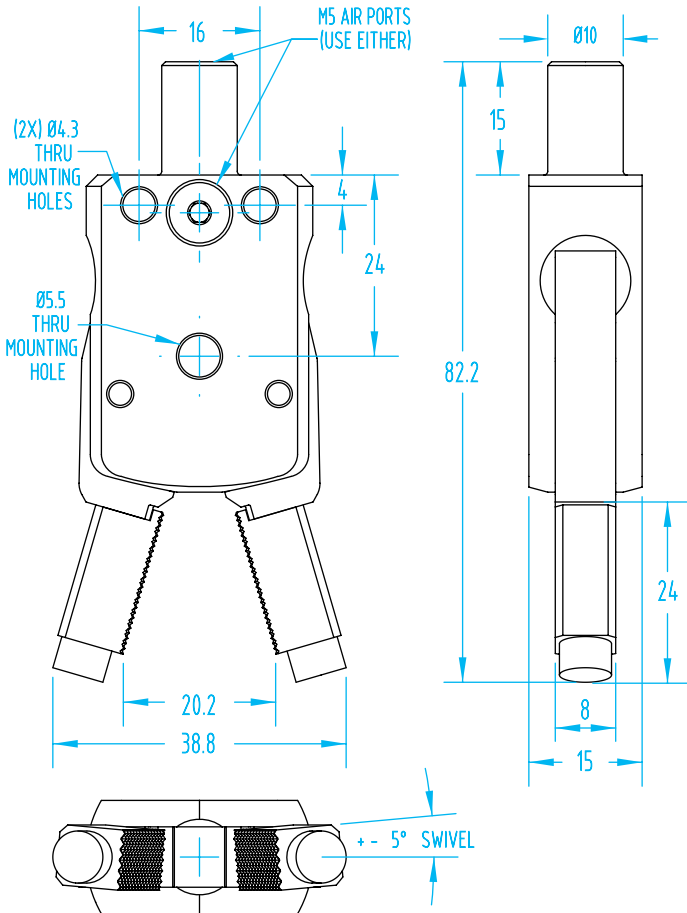
Quick#	Part#	Price	Weight
7249	AF10G18M	\$55.85	22g



Sectional view illustrates how the PB gripper interacts with the adaptor. The O-ring ensures an air tight connection.

Mini Diamond-Textured Sprue Gripper with Swivel Jaws – PB-0150

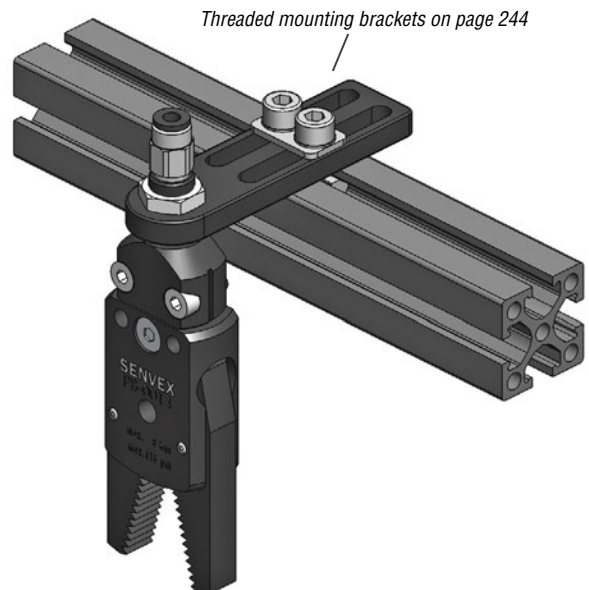
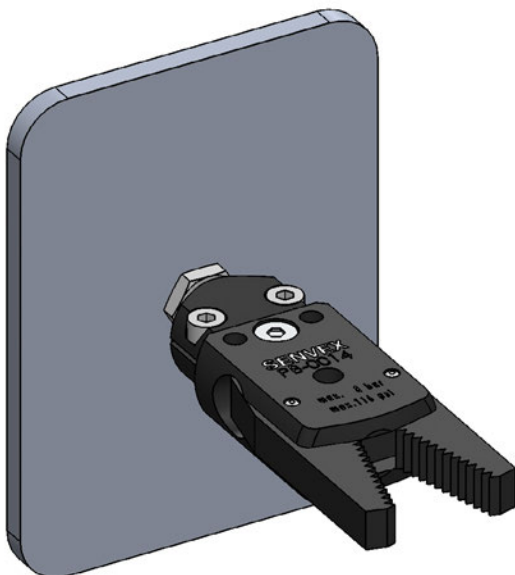
(Dimensioned drawings shown full scale)



- This is the same gripper as the PB-0014 except this gripper has diamond-textured steel teeth that swivel.
- Angular, non-self-centering.
- The teeth independently swivel $\pm 5^\circ$ each to conform to cone shaped sprues for more surface contact and secure grip.
- Higher grip force than other similarly sized sprue grippers.
- 10mm diameter mounting post with M5 air port allows this gripper to be used with standard mounting and air connection components. Alternate M5 air port on front of gripper can be used.
- Replacement parts available online.

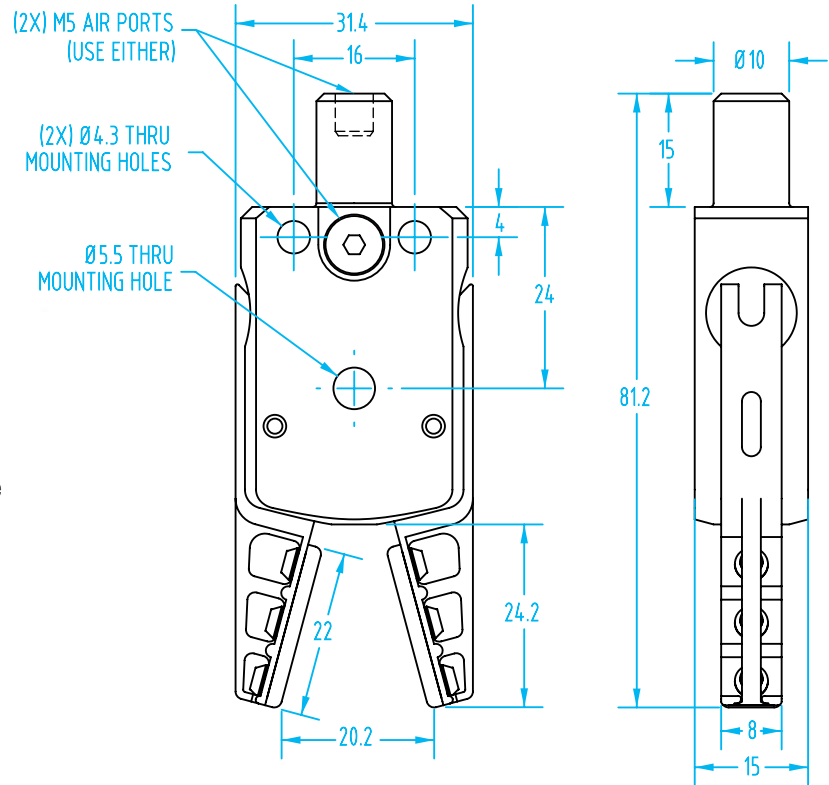
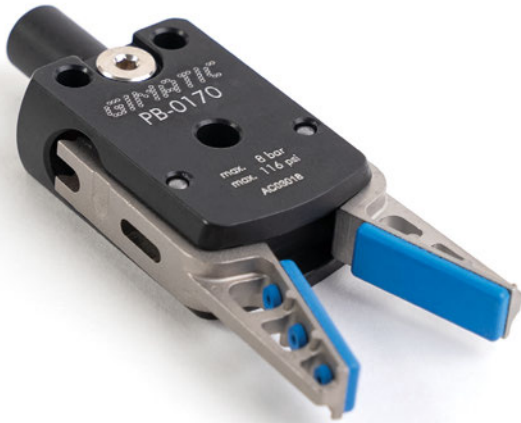
Quick#	Part#	Price	Style	Applicable Sprue Ø	Closing Force at 25mm Tooling Length*	Weight
6653	PB-0150	\$228.00	Diamond Swivel-jaws	3–9mm	14.5 lbf	48g

* The Closing Force listed is both jaws combined when supplied at 87psi. Tooling length is measured from jaw pivot point.



Mini Sprue Gripper with HNBR Padded Jaws – PB-0170

(Dimensioned drawings shown full scale)



- Non-marking HNBR pads have a maximum temperature of 302°F.
- Angular, non-self-centering.
- Higher grip force than other similarly sized sprue grippers.
- Ø10mm diameter mounting post with M5 air ports allows this gripper to be used with standard mounting and air connection components.
- Replacement parts available online.

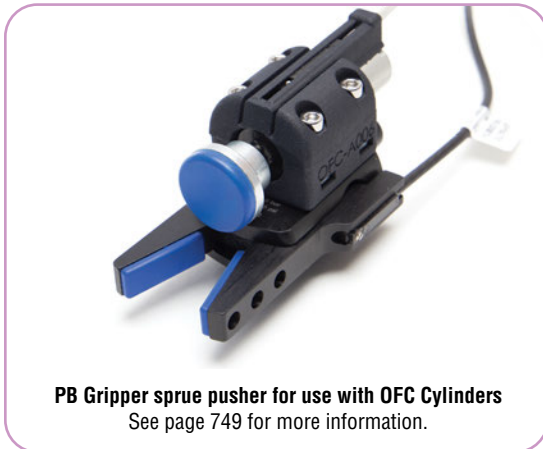
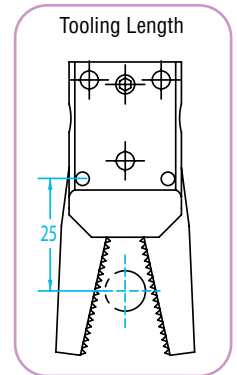


Quick#	Part#	Price	Style	Applicable Sprue Ø	Closing Force at 25mm Tooling Length*	Weight
7119	PB-0170	\$132.00	HNBR Rubber Pads	3–9mm	11.0 lbf	57g

* The Closing Force listed is both jaws combined when supplied at 87psi. Tooling length is measured from jaw pivot point.

Replacement Pads - priced each

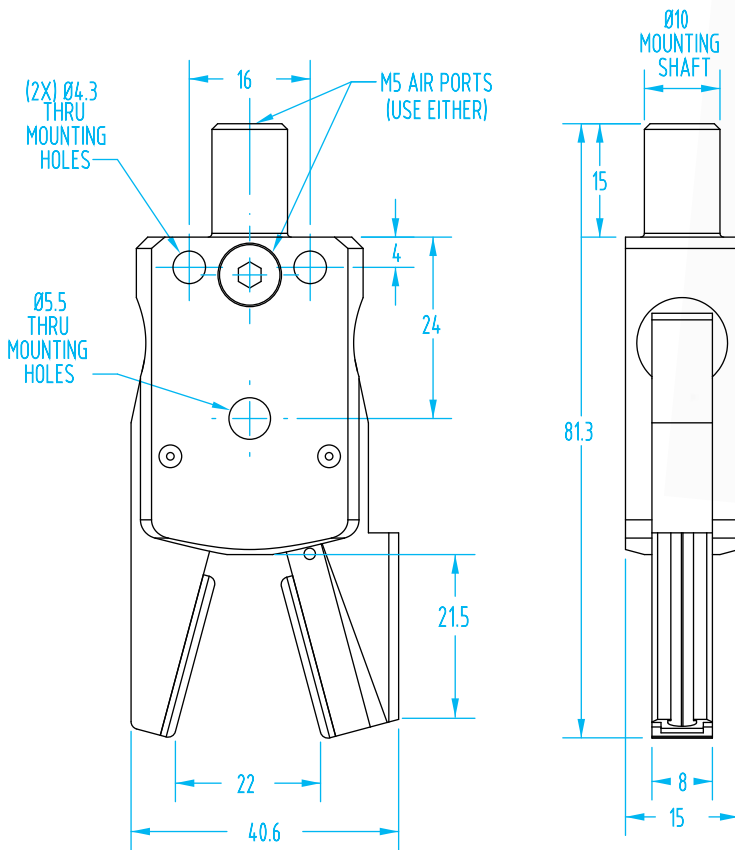
Quick#	Part#	Description	Price
7484	PB-0170-05	New Style HNBR, 22 x 8mm, 2mm thickness	\$5.50
7627	PB-0170-05F	New Style Flocked, 22 x 8mm, 2mm thickness	\$8.39
7519	KIT3-PB0170	Kit includes 2 New Style & 2 Old Style HNBR Pads 22 x 8mm, 2mm thickness	\$10.27



PB Gripper sprue pusher for use with OFC Cylinders
See page 749 for more information.

Mini Sprue Gripper with Padded Jaws & Sensor Finger – PB-0187

(Dimensioned drawings shown full scale)



The Original!



- Unreliable sensing may occur if the part being gripped has a thickness less than 3mm.
- Correct sensor location in the slot is important for proper operation.
- Replacement parts available online.

Quick#	Part#	Price	Style	Applicable Sprue Ø	Closing Force at 25mm Tooling Length*	Weight
7250	PB-0187-S	\$165.00	HNBR Pads & Sprue Detect	3–9mm	11.0 lbf	60g
Order sensors separately See Sensor Reference Guide on page 1008 for a complete list of sensors for PB Grippers.						
1882	SS4N225G	\$27.20	PNP sensor		with lead, 2.5m long	6–24vdc
6282	SS3N203G	\$31.16	PNP sensor		M8 male connector, 0.3m long**	6–24vdc
1883	SS4M225G	\$27.20	NPN sensor		with lead, 2.5m long	6–24vdc
1884	SS3M203G	\$31.16	NPN sensor		M8 male connector, 0.3m long**	6–24vdc

Note: 2-wire reed sensors are not recommended for grippers.

* The Closing Force listed is both jaws combined when supplied at 87psi. Tooling length is measured from jaw pivot point.

** M8 Extension cables Quick#'s 2582 & 2583 available on page 985.

Replacement Pads - priced each

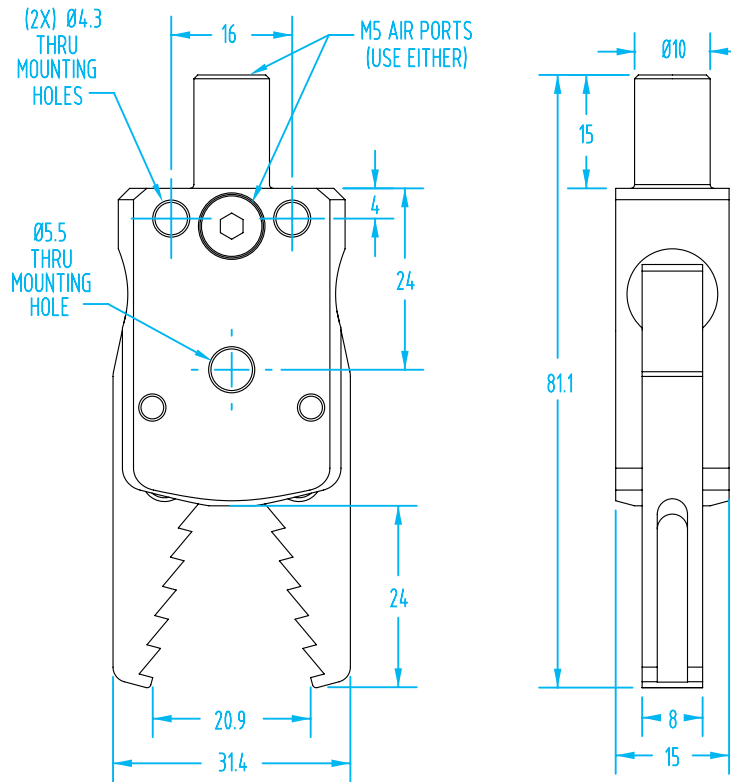
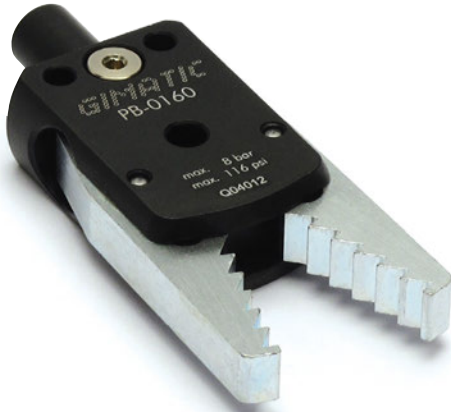
Quick#	Part#	Description	Price
7484	PB-0170-05	1x, New Style HNBR, 22 x 8mm, 2mm thickness	\$5.50
7627	PB-0170-05F	1x New Style Flocked, 22 x 8mm, 2mm thickness	\$8.39
7519	KIT3-PB0170	Kit includes 2 New Style & 2 Old Style HNBR Pads 22 x 8mm, 2mm thickness	\$10.27

Many custom pad options and materials are available from EMI's 3D Printing Department. High temperature, Non-Marking, Flocked, Super Soft Touch, Fiber reinforced, and more.



Mini Sprue Gripper with Steel Jaws – PB-0160

(Dimensioned drawings shown full scale)



- Higher grip force than other similarly sized sprue grippers.
- Angular, non-self-centering.
- Interlaced and serrated steel jaws hold small and medium sprues firmly.
- Ø10mm diameter mounting post with M5 air port allows this gripper to be used with standard mounting and air connection components. Alternate M5 air port on front of gripper can be used.
- Replacement parts available online.



Find nipper mounting clamps for PB grippers on pages 838 – 839.

Quick#	Part#	Price	Style	Applicable Sprue Ø	Closing Force at 25mm Tooling Length*	Weight
7118	PB-0160	\$129.00	Steel Saw Jaws	3–9mm	11.0 lbf	70g

* The Closing Force listed is both jaws combined when supplied at 87psi. Tooling length is measured from jaw pivot point.

Mini Sprue Grippers with Vacuum Detection

- Gripper must be connected to compressed air to get a sprue gripped confirmation.
- Higher grip force than other similarly sized sprue grippers.
- Angular, non-self-centering.
- Ø10mm diameter mounting post with M5 air port allows this gripper to be used with standard mounting and air connection components. Alternate M5 air port on front of gripper can be used.
- Replacement parts available online.
- Find more information including dimensional drawings online!



NEW

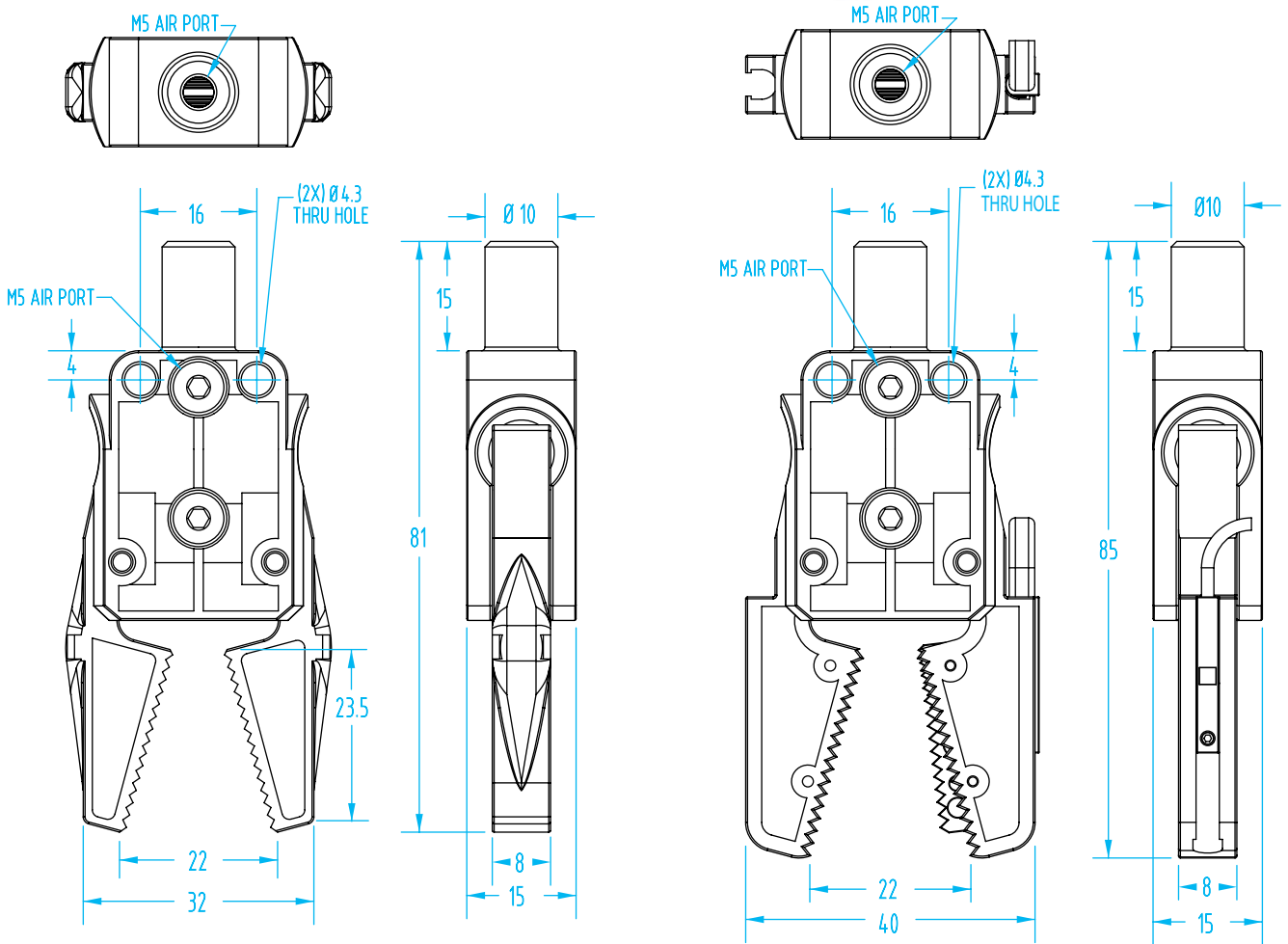
Quick#	Part#	Price	Style	Applicable Sprue Ø	Closing Force at 25mm Tooling Length*	Weight
7797	PB-0180-SV	\$134.00	Aluminum Jaws	2.5–9mm	11.0 lbf	74g
7798	PB-0187-SV	\$134.00	HNBR Padded Jaws	2.5–9mm	11.0 lbf	62g

* The Closing Force listed is both jaws combined when supplied at 87psi. Tooling length is measured from jaw pivot point.

Mini Die Cast Grippers – BB

(Dimensioned drawings shown full scale)

- Utilizes the reliable PB-type of mechanism except this gripper is die cast construction resulting in a lower cost but it is about 50% heavier than aluminum constructed PB grippers of the same size.
- Angular, non-self-centering.
- Sensor models come with the sensor installed and configured. A single sensor mounted on the finger confirms gripping of the sprue.
- Serrated fingers hold small and medium diameter sprues well.
- Made of Zamak™



Quick#	Part#	Price	Style	Operation	Applicable Sprue Ø	Closing Force at 25mm Tooling Length*	Weight
6553	BB-12-NO	\$89.00	No Sensor	Normally Open	3–9mm	11.0 lbf	74g
6554	BB-13-NO	\$99.00	Supplied with PNP Sensor	Normally Open	3–9mm	11.0 lbf	88g
6555	BB-14-NO	\$99.00	Supplied with NPN Sensor	Normally Open	3–9mm	11.0 lbf	88g
6578	BB-13-00	\$103.00	Supplied with PNP Sensor	Double-Acting	3–9mm	11.7 lbf	76g

* The Closing Force listed is both jaws combined when supplied at 87psi. Tooling length is measured from jaw pivot point.

Micro Sprue Gripper – PB-0008 & PB-0007

(Dimensioned drawings shown full scale)

NEW



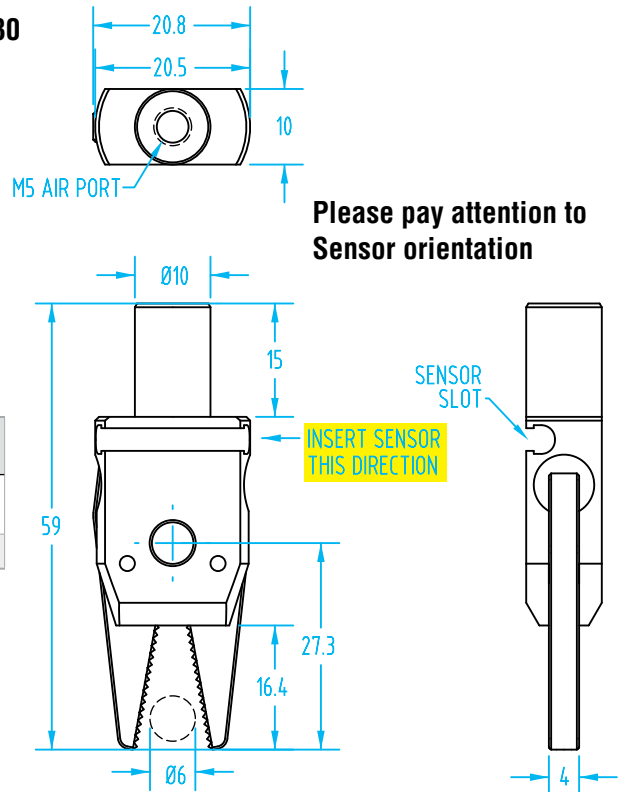
#7280 shown with sensor

Quick#	Part#	Price	Style	Applicable Sprue Ø	Closing Force*	Wt.
7280	PB-0008-S3	\$104.00	Diamond Textured Jaws	1–7mm	6.0 lbf	15g
7461	PB-0007-S3	\$119.00	Padded Jaws	1–7mm	6.0 lbf	15g

* The Closing Force listed is both jaws combined when supplied at 87psi. Tooling length is measured from jaw pivot point.

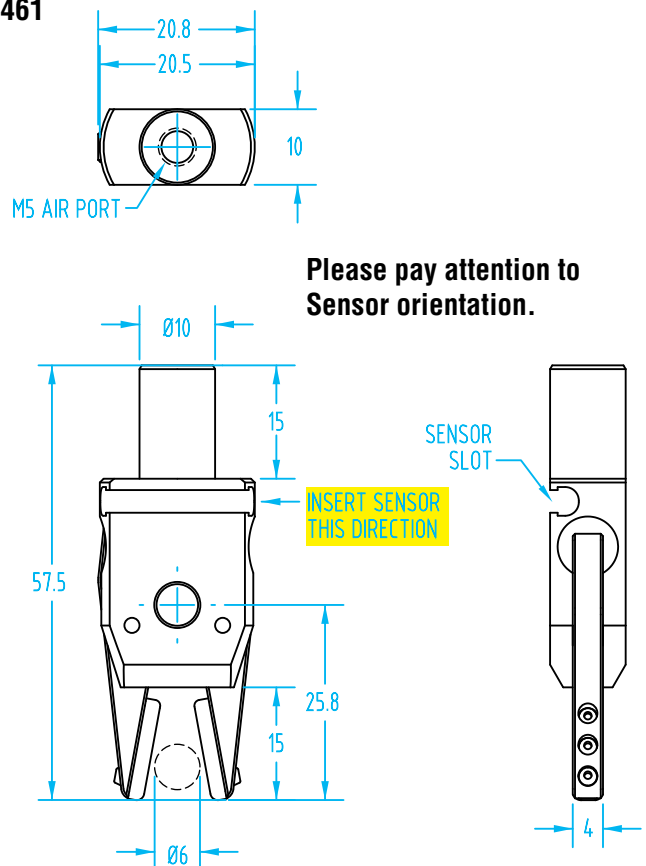
- New sensor slot on the body detects sprue gripped. PRO-SSR.. sensors are recommended and sold separately.
- Angular, non-self-centering.
- Gripper fingers join at the tip to grip small part/sprue diameters as small as 1mm.
- Ø10mm diameter mounting post with M5 airport allows this gripper to be used with standard mounting and air connection components.
- Very compact and lightweight but with enough grip force to reliably grip small parts and sprues.
- Ø5.5 thru hole added for direct plate mounting.
- #7280: Diamond-textured gripping surface is ideal for gripping small diameters.
- #7461: Non-marking HNBR pads have a maximum temperature of 302°F.
- Replacement parts available online.

#7280



Please pay attention to Sensor orientation

#7461



Please pay attention to Sensor orientation.

NEW



#7461 shown with sensor

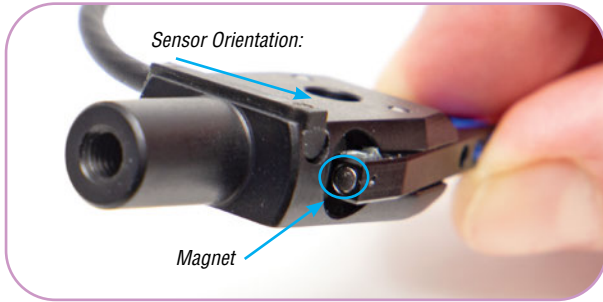


Replacement Pads for PB-0007 - priced EACH

Quick#	Part#	Material	Price
7373	PB-0007-1	HNBR	\$5.29

13.2mm length, 3.5mm width, 2mm thickness.

Sensors for Micro Sprue Gripper – PB-0008 & PB-0007



Watch our Teachable PRO Sensor video!

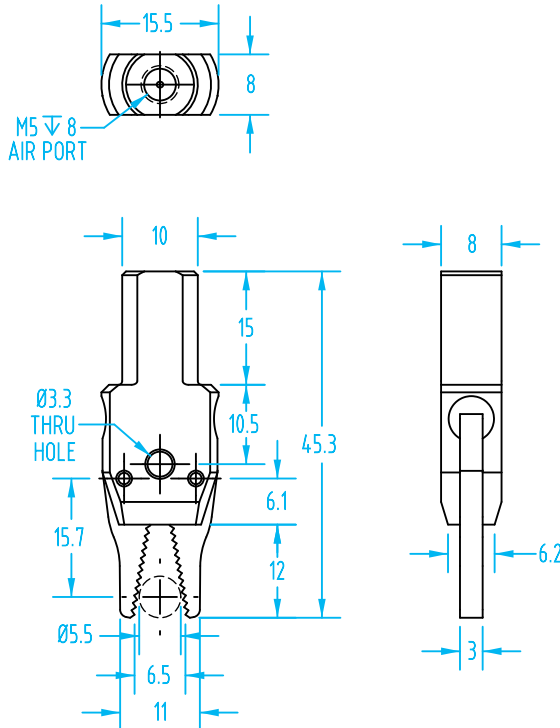
Due to the location of the PB micro grippers magnet, please pay attention to sensor orientation.

Sensors - for PB-0008-S3 (#7280) & PB-0007-S3 (#7461)

Quick#	Part#	Price	Signal & Style	Description
7644	PRO-SSR4N225G	\$70.00	PNP teachable sensor	5-wire with lead, 2.5m long
7645	PRO-SSR4M225G	\$70.00	NPN teachable sensor	5-wire with lead, 2.5m long
7646	PRO-SSR3N215G	\$87.00	PNP teachable sensor	5-wire w/ M8 male connector, 0.3m long*
7647	PRO-SSR3M215G	\$87.00	NPN teachable sensor	5-wire w/ M8 male connector, 0.3m long*

* M8 Extension cables Quick#'s 2582 & 2583 available on page 985.
See Sensor Reference Guide on page 1008 for a complete list of sensors for PB Grippers.

(Dimensioned drawings shown full scale)



Nano Sprue Gripper – PB-0002



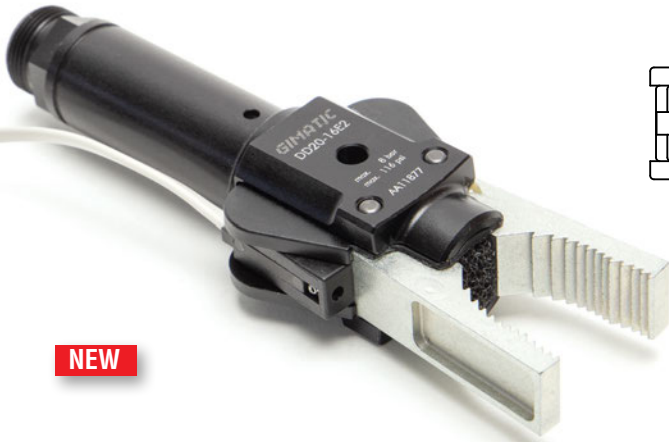
- With a 6mm bore, 8mm thickness and 45mm total length, this is the smallest Gimatic Sprue Gripper available.
- Angular, non-self-centering.
- Ø10mm diameter mounting post with M5 airport allows this gripper to be used with standard mounting and air connection components.
- Gripper fingers join at the tip to grip small part / sprue for diameters as small as 1mm.

Quick#	Part#	Price	Description	Applicable Sprue Ø	Closing Force*	Wt.
7622	PB-0002	\$106.00	Normally Open	1–5.5 mm	2.8 lbf	7g

* The Closing Force listed is both jaws combined when supplied at 87psi. Tooling length is measured from jaw pivot point.

Compact-Body Sensor Sprue Gripper – DD20-16

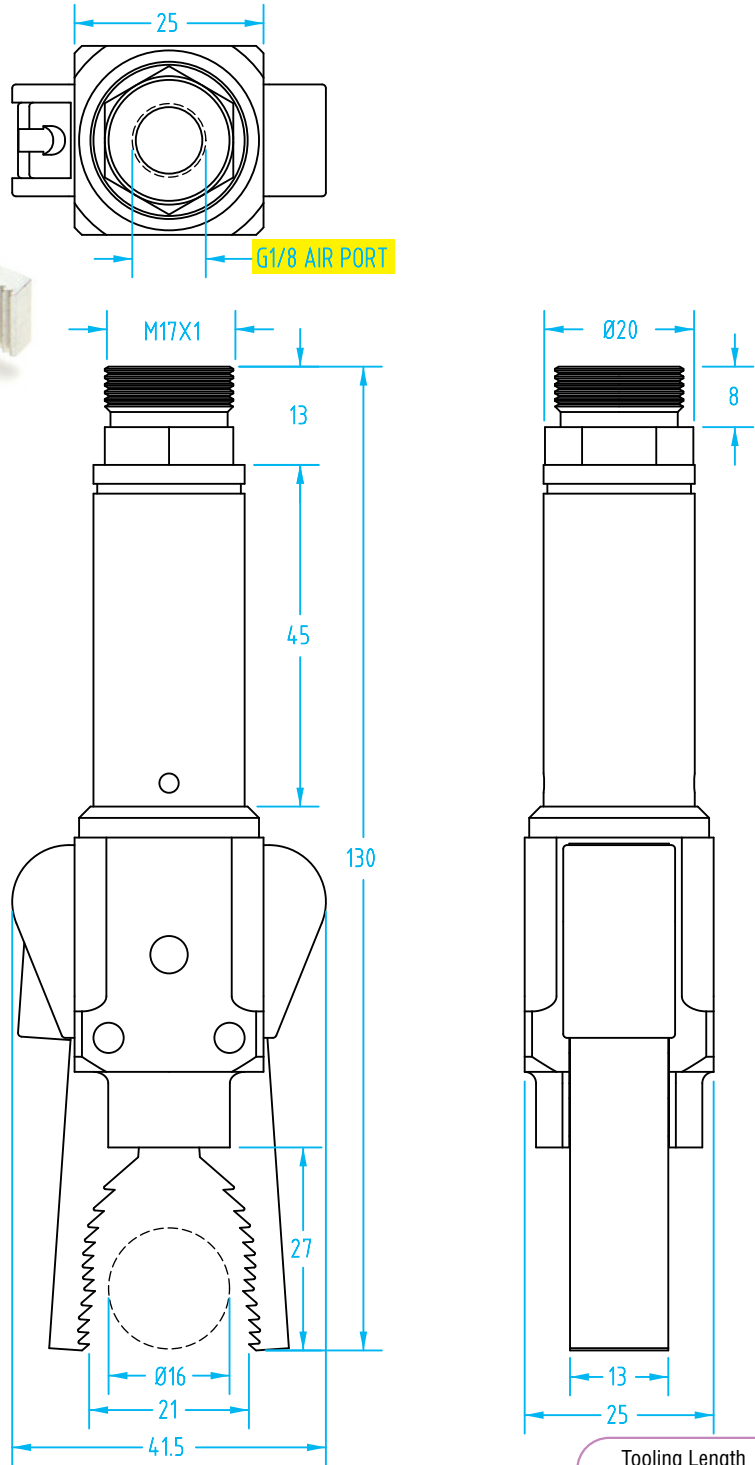
(Dimensioned drawing shown full scale)



NEW

- New Sensor Slot position provides sensing without interfering with the part being gripped.
- Angular, self-centering.
- Gripper has a G1/8" air port.
- Higher grip force than GRZ20-16 grippers.
- Clampable along full length of Ø20mm body.
- Diamond-textured fingers provide excellent gripping of small to large sprues. This design is also excellent for sprues that need to be pulled or stripped from a mold cavity.
- 20mm diameter mounting body allows this gripper to be used with standard mounting components.
- Replacement parts available online.

SET-UP NOTE: The sensor will only send a signal when the gripper is actuated with compressed air.

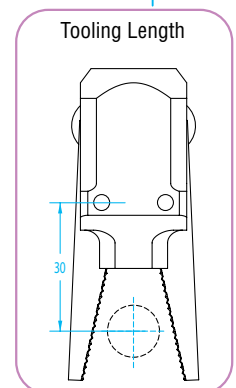


Quick#	Part#	Price	Style	Applicable Sprue Ø	Ibs. Force at 30mm Tooling Length*	Weight
7554	DD20-16E2	\$179.00	Concave Diamond Texture	3–12mm	45.0 lbf	138g
Order sensors separately See Sensor Reference Guide on page 1008 for a complete list of sensors for DD Grippers.						
1882	SS4N225G	\$27.20	PNP sensor	with lead, 2.5m long		6–30 Vdc
6282	SS3N203G	\$31.16	PNP sensor	M8 male connector, 0.3m long**		6–30 Vdc
1883	SS4M225G	\$27.20	NPN sensor	with lead, 2.5m long		6–30 Vdc
1884	SS3M203G	\$31.16	NPN sensor	M8 male connector, 0.3m long**		6–30 Vdc

Note: 2-wire reed sensors are not recommended for grippers.

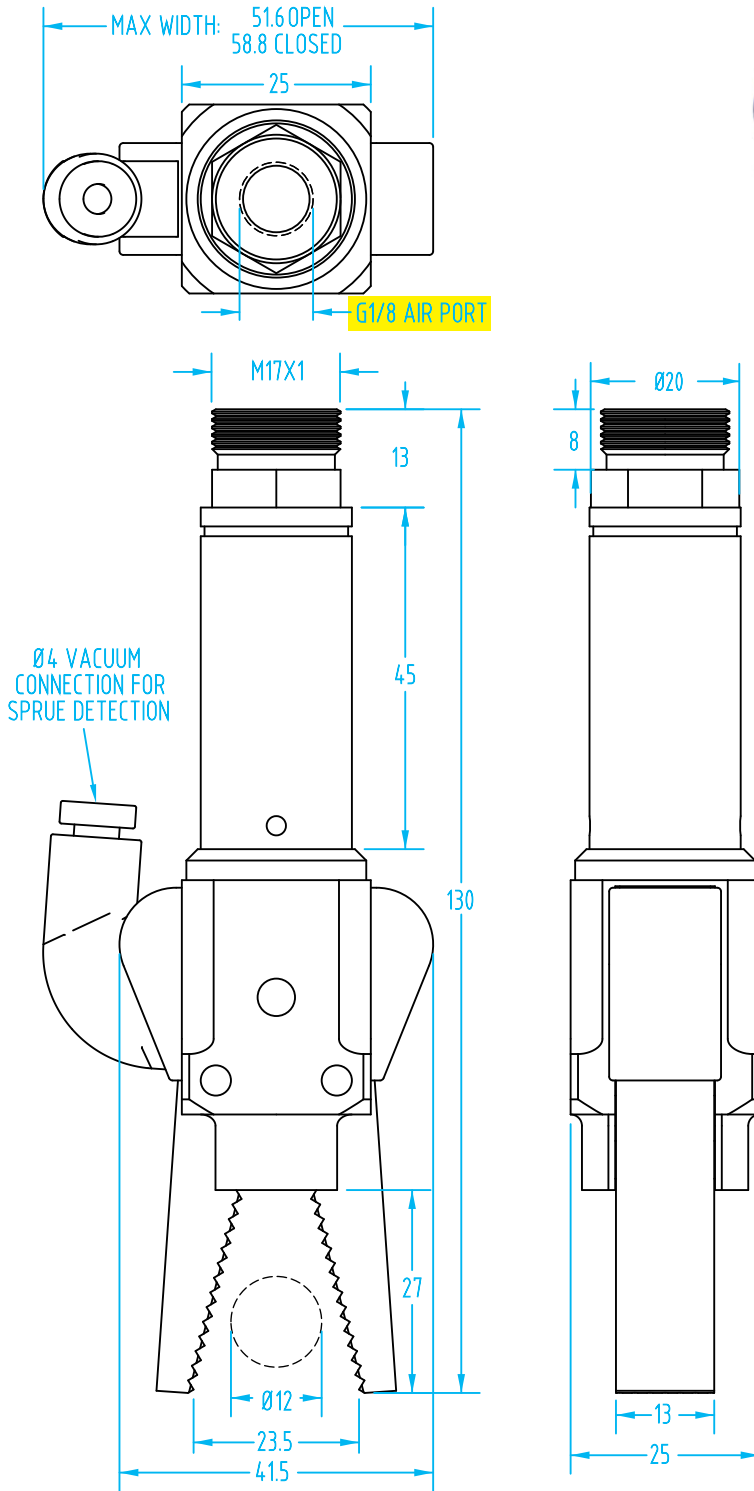
* The Closing Force listed is both jaws combined when supplied at 87psi. Tooling length is measured from jaw pivot point.

** M8 Extension cables Quick#'s 2582 & 2583 available on page 985.



Compact-Body Sensor Sprue Gripper – DD20-16

(Dimensioned drawing shown full scale)



- NEW! Simple to implement and cost effective sensing for sprue gripping. This gripper utilizes a robots existing vacuum detection switch for verification of sprue / part.
- Angular, self-centering.
- Gripper has a G1/8" air port.
- Higher grip force than GRZ20-16 grippers.
- Clampable along full length of Ø20mm body.
- Diamond-textured fingers provide excellent gripping of small to large sprues. This design is also excellent for sprues that need to be pulled or stripped from a mold cavity.
- 20mm diameter mounting body allows this gripper to be used with standard mounting components.
- Replacement parts available online.

SET-UP NOTE: The sensor will only send a signal when the gripper is actuated with compressed air.

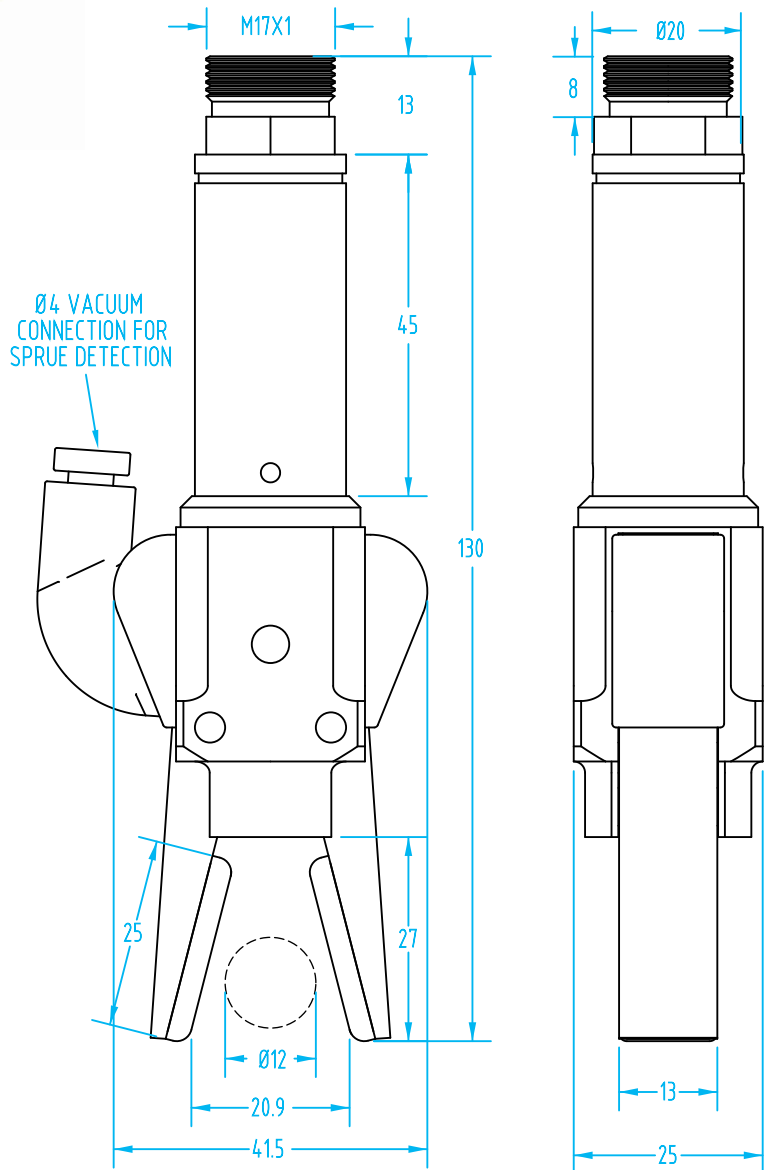
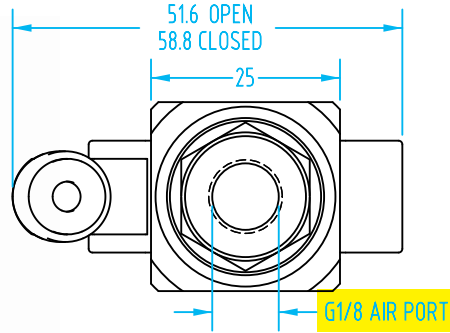


Quick#	Part#	Price	Style	Applicable Sprue Ø	lbs. Force at 30mm Tooling Length*	Weight
7555	DD20-16MV	\$179.00	Diamond Texture with vacuum detection	3–12mm	45.0 lbf	147g

* The Closing Force listed is both jaws combined when supplied at 87psi. Tooling length is measured from jaw pivot point.

Compact-Body Sensor Sprue Gripper – DD20-16

(Dimensioned drawing shown full scale)



- NEW! Simple to implement and cost effective sensing for sprue gripping. This gripper utilizes a robots existing vacuum detection switch for verification of sprue / part.
- Angular, self-centering.
- Gripper has a G1/8" air port.
- Higher grip force than GRZ20-16 grippers.
- Clampable along full length of Ø20mm body.
- Non-marking HNBR pads have a maximum temperature of 302°F. Replacements are listed on page 451.
- 20mm diameter mounting body allows this gripper to be used with standard mounting components.
- Replacement parts available online.

SET-UP NOTE: The sensor will only send a signal when the gripper is actuated with compressed air.

Watch our Compact Sprue Gripper with Vacuum Part Detection video!

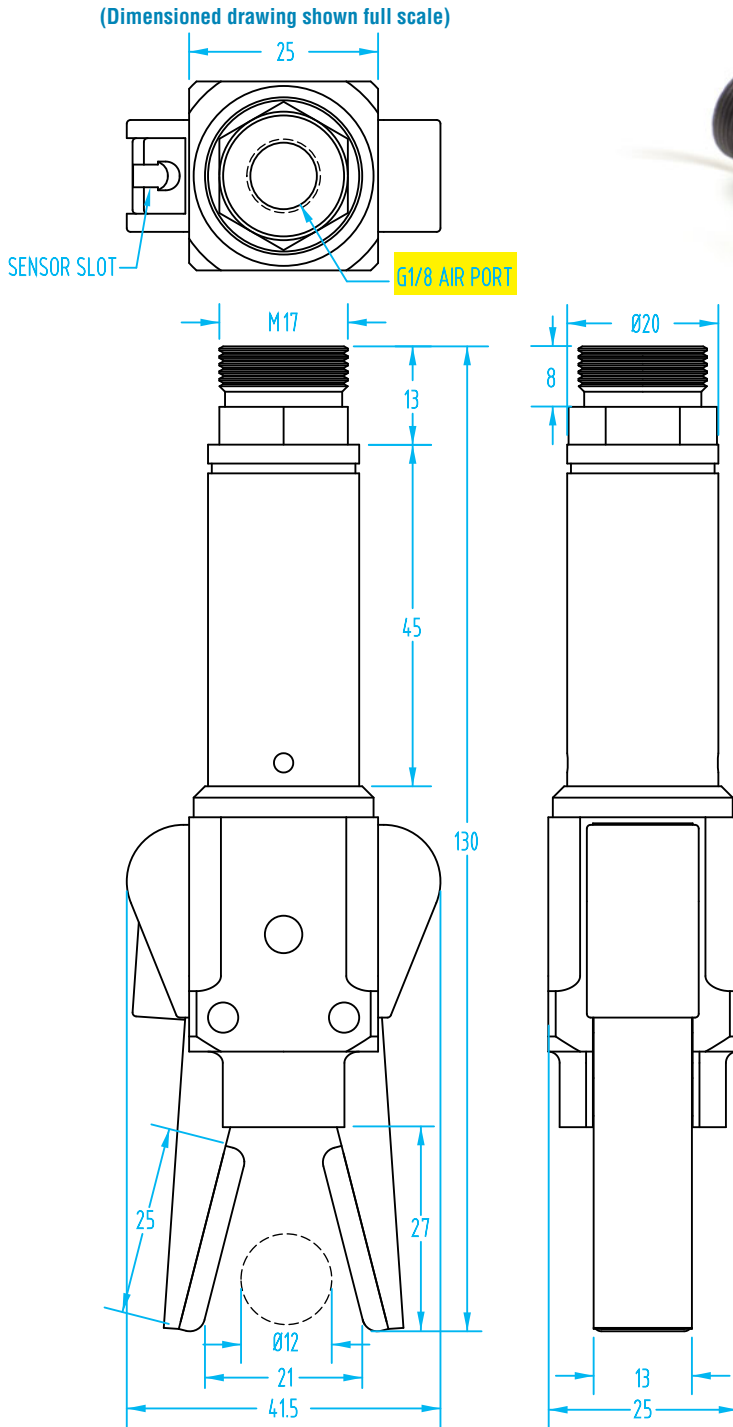
Fittings Available on page 1047



Quick#	Part#	Price	Style	Applicable Sprue Ø	lbs. Force at 30mm Tooling Length*	Weight
7556	DD20-16LV	\$179.00	HNBR Padded Jaws with vacuum detection	3–12mm	45.0 lbf	138g

* The Closing Force listed is both jaws combined when supplied at 87psi. Tooling length is measured from jaw pivot point.

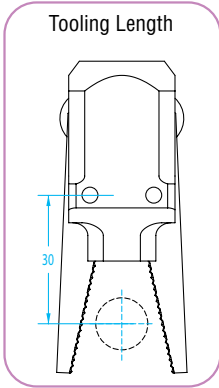
Compact-Body Sensor Sprue Gripper – DD20-16



NEW

- New Sensor Slot position provides sensing without interfering with the part being gripped.
- Angular, self-centering.
- Gripper has a G1/8" air port.
- Unreliable sensing may occur if the part being gripped has a thickness less than 2mm. Correct sensor location in the slot is important for proper operation.
- Much higher grip force than GRZ20-16 grippers.
- Clampable along full length of Ø20mm body.
- Non-marking HNBR pads have a maximum temperature of 302°F. Replacements are listed on page 451.
- 20mm diameter mounting body allows this gripper to be used with standard mounting components.
- Replacement parts available online.
- Replaces older models: DD20-16P (#7123), DD20-16PS (#7124), & DD20-16L (#7247)

SET-UP NOTE: The sensor will only send a signal when the gripper is actuated with compressed air.



Quick#	Part#	Price	Style	Applicable Sprue Ø	lbs. Force at 30mm Tooling Length*	Weight
7552	DD20-16L2	\$159.00	HNBR Pads	2–12mm	45.0 lbf	132g
Order sensors separately See Sensor Reference Guide on page 1008 for a complete list of sensors for DD Grippers.						
1882	SS4N225G	\$27.20	PNP sensor	with lead, 2.5m long		6–30 Vdc
6282	SS3N203G	\$31.16	PNP sensor	M8 male connector, 0.3m long**		6–30 Vdc
1883	SS4M225G	\$27.20	NPN sensor	with lead, 2.5m long		6–30 Vdc
1884	SS3M203G	\$31.16	NPN sensor	M8 male connector, 0.3m long**		6–30 Vdc

Note: 2-wire reed sensors are not recommended for grippers.
 * The Closing Force listed is both jaws combined when supplied at 87psi. Tooling length is measured from jaw pivot point.
 ** M8 Extension cables Quick#'s 2582 & 2583 available on page 985.

Compact-Body Sensor Sprue Gripper – DD20-16



NEW

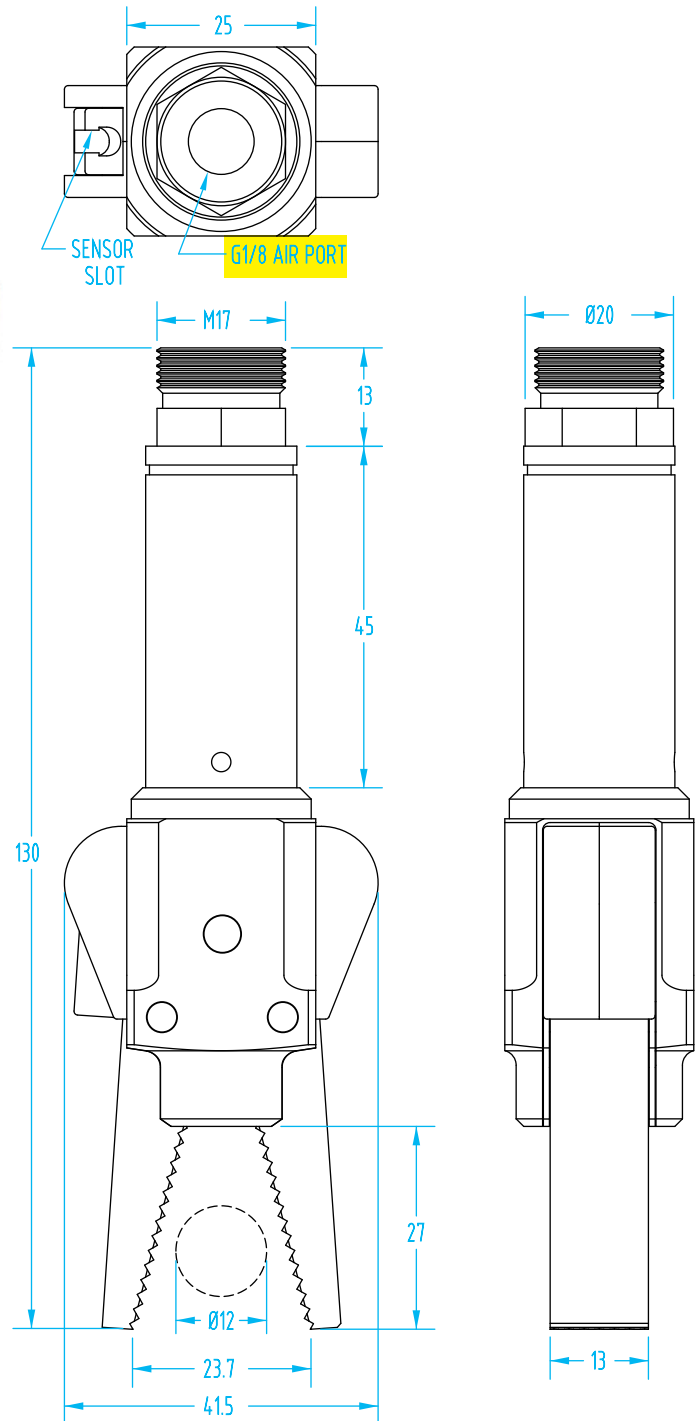
- New Sensor Slot position provides sensing without interfering with the part being gripped.
- Angular, self-centering.
- Gripper has a G1/8" air port.
- Higher grip force than GRZ20-16 grippers.
- Clampable along full length of Ø20mm body.
- Diamond-textured fingers provide excellent gripping of small to large sprues. This design is also excellent for sprues that need to be pulled or stripped from a mold cavity.
- 20mm diameter mounting body allows this gripper to be used with standard mounting components.
- Replacement parts available online.
- Replaces older models: DD20-16R (#5838), DD20-16RS (#5839), DD20-16M (#6779), DD20-16A (#6773), DD20-16AS (#6774), DD20-16T (#7443).

SET-UP NOTE: The sensor will only send a signal when the gripper is actuated with compressed air.

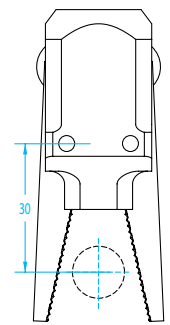
Fittings Available on page 1047



(Dimensioned drawing shown full scale)



Tooling Length



Quick#	Part#	Price	Style	Applicable Sprue Ø	Ibs. Force at 30mm Tooling Length*	Weight
7551	DD20-16M2	\$159.00	Diamond Texture	1–12mm	45.0 lbf	143g
Order sensors separately See Sensor Reference Guide on page 1008 for a complete list of sensors for DD Grippers.						
1882	SS4N225G	\$27.20	PNP sensor	with lead, 2.5m long		6–30 Vdc
6282	SS3N203G	\$31.16	PNP sensor	M8 male connector, 0.3m long**		6–30 Vdc
1883	SS4M225G	\$27.20	NPN sensor	with lead, 2.5m long		6–30 Vdc
1884	SS3M203G	\$31.16	NPN sensor	M8 male connector, 0.3m long**		6–30 Vdc

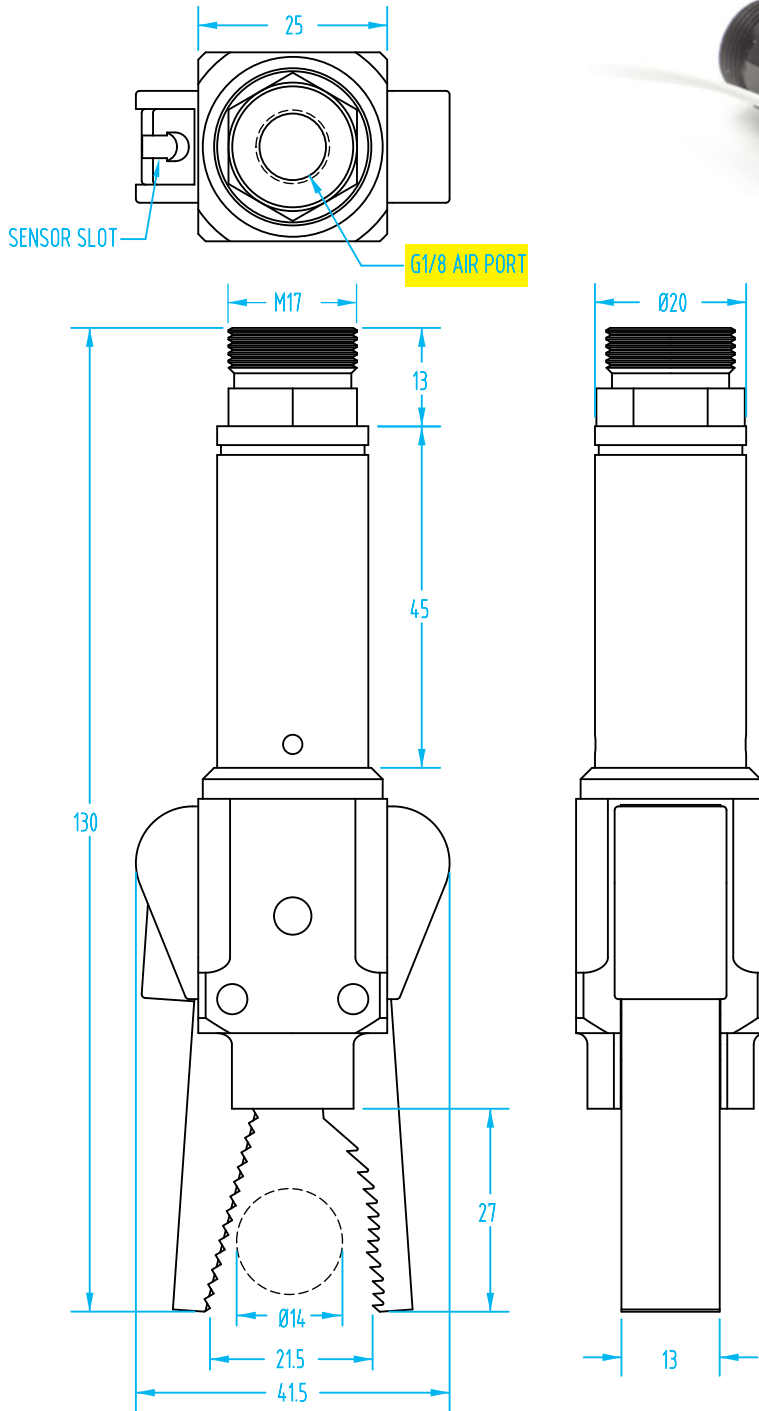
Note: 2-wire reed sensors are not recommended for grippers.

* The Closing Force listed is both jaws combined when supplied at 87psi. Tooling length is measured from jaw pivot point.

** M8 Extension cables Quick#'s 2582 & 2583 available on page 985.

Compact-Body Sensor Sprue Gripper – DD20-16

(Dimensioned drawing shown full scale)



NEW

- New Sensor Slot position provides sensing without interfering with the part being gripped.
- Angular, self-centering.
- Gripper has a G1/8" air port.
- Higher grip force than GR220-16 grippers.
- Clampable along full length of Ø20mm body.
- Diamond-textured fingers provide excellent gripping of small to large sprues. This design is also excellent for sprues that need to be pulled or stripped from a mold cavity.
- 20mm diameter mounting body allows this gripper to be used with standard mounting components.
- Replacement parts available online.
- Replaces older models: DD20-16E (#6775), & DD20-16ES (#6776)

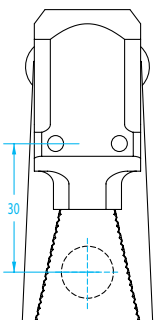
SET-UP NOTE: The sensor will only send a signal when the gripper is actuated with compressed air.



NEW

New DD20-16 sprue pusher for use with OFC Cylinders
See page 751 for more information.

Tooling Length



Quick#	Part#	Price	Style	Applicable Sprue Ø	lbs. Force at 30mm Tooling Length*	Weight
7550	DD20-16W2	\$159.00	Concave Jaw	2–14mm	45.0 lbf	141g
Order sensors separately See Sensor Reference Guide on page 1008 for a complete list of sensors for DD Grippers.						
1882	SS4N225G	\$27.20	PNP sensor	with lead, 2.5m long		6–30 Vdc
6282	SS3N203G	\$31.16	PNP sensor	M8 male connector, 0.3m long**		6–30 Vdc
1883	SS4M225G	\$27.20	NPN sensor	with lead, 2.5m long		6–30 Vdc
1884	SS3M203G	\$31.16	NPN sensor	M8 male connector, 0.3m long**		6–30 Vdc

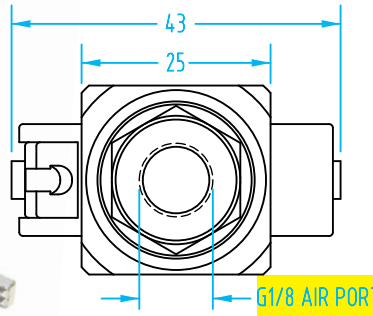
Note: 2-wire reed sensors are not recommended for grippers.

* The Closing Force listed is both jaws combined when supplied at 87psi. Tooling length is measured from jaw pivot point.

** M8 Extension cables Quick#'s 2582 & 2583 available on page 985.

Compact-Body Sensor Sprue Gripper – DD20-16

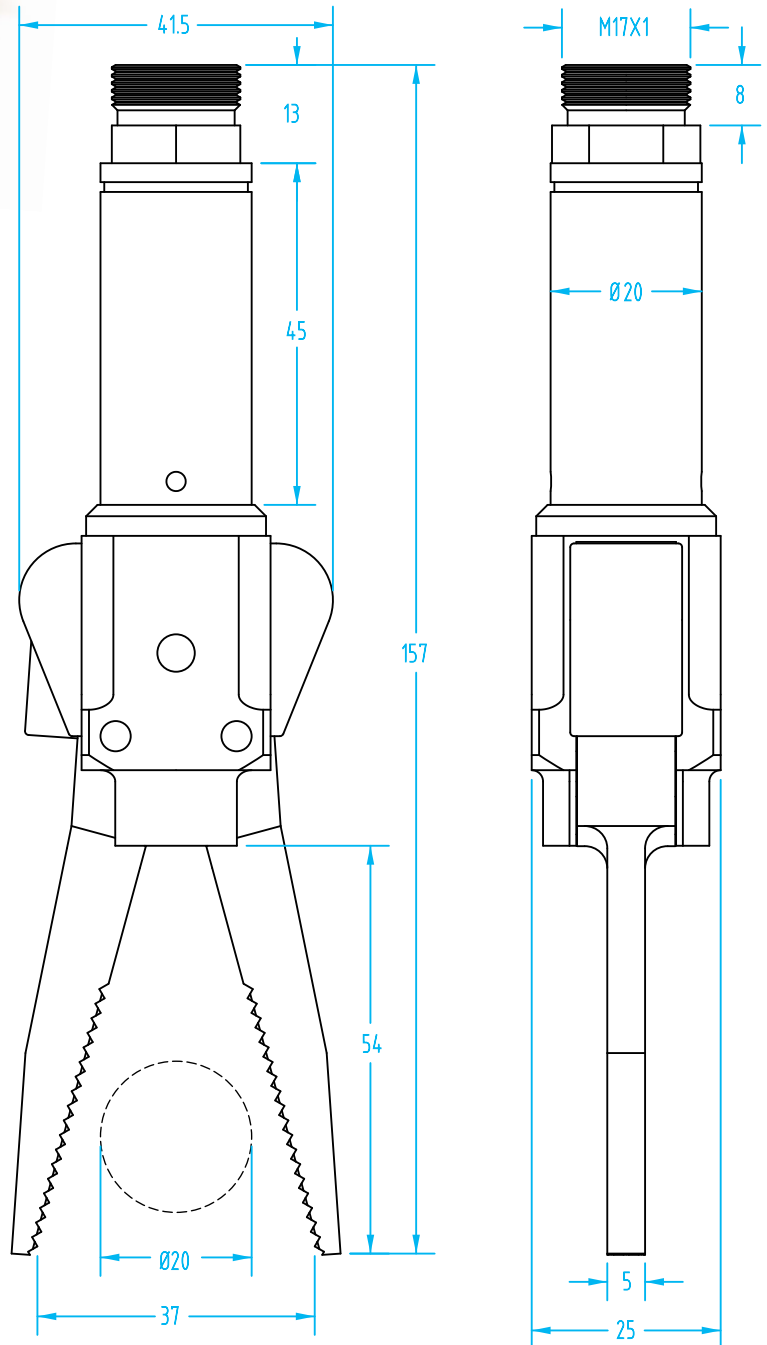
(Dimensioned drawing shown full scale)



Thin Jaws with Long Reach!

- New Sensor Slot position provides sensing without interfering with the part being gripped.
- Angular, self-centering.
- Gripper has a G1/8" air port.
- Sensors sold separately, see page 448.
- Higher grip force than GRZ20-16 grippers.
- Clampable along full length of Ø20mm body.
- Diamond-textured fingers provide excellent gripping of small to large sprues. This design is also excellent for sprues that need to be pulled or stripped from a mold cavity.
- 20mm diameter mounting body allows this gripper to be used with standard mounting components.
- Replacement parts available online.
- Replaces older model: DD20-16B-J (#7444)

SET-UP NOTE: The sensor will only send a signal when the gripper is actuated with compressed air.











NEW

Part#	DD20-16B2
Quick#	7553
Price	\$259.00
Style	Long Saw Jaws
Applicable Sprue	3–20mm
lbs. Force at 30mm Tooling Length*	45.0 lbf
Weight	140g

* The Closing Force listed is both jaws combined when supplied at 87psi. Tooling length is measured from jaw pivot point.

Order sensors separately See Sensor Reference Guide on page 1008 for a complete list of sensors for DD Grippers.

Compact-Body Sprue Gripper – DD20-16

	Quick#	Part#	Material / Shore Rating	Description	Max. Working Temp.	Marking at:				Price
						20°C / 68°F	80°C / 176°F	100°C / 212°F	140°C / 248°F	
	7485	DD20-16P-13	Blue HNBR 60Sh.A	New Style DD20-16	150°C / 302°F	NO	NO	NO	NO	\$3.22 (Qty: 1)
	7518	KIT3-DD2016P	Blue HNBR 60Sh.A	Kit contains 2 new and 2 old style pads	150°C / 302°F	NO	NO	NO	NO	\$9.66 (Qty: 4)
	7357	DD20-16P-11	Blue HNBR 60Sh.A	Old Style DD20-16 (2018 and earlier)	150°C / 302°F	NO	NO	NO	NO	\$5.32 (Qty: 1)
	7639	DD20-16P-13F	Black flocking over HNBR	New Style DD20-16	60°C / 140°F	NO	Small Mark	YES	YES	\$5.37 (Qty: 1)
	7640*	DD20-16P-10	Red TPU 70Sh.A	Old Style DD20-16 (2018 and earlier)	80°C / 176°F	YES	YES	YES	YES	\$3.35 (Qty: 1)
	7641	DD20-16P-17	Black PU 70Sh.A	New Style DD20-16	80°C / 176°F	YES	YES	YES	YES	\$5.58 (Qty: 1)
	7642	DD20-K3	White PTFE over PA12GB	New Style DD20-16	80°C / 176°F	NO	NO	Small Mark	Small Mark	\$8.49 (Qty: 1)
	Contact EMI	Many custom pad options and materials are available from EMI's 3D Printing Department. High temperature, Non-Marking, Flocked, Super Soft Touch, Fiber reinforced, and more.								

*Q#7640: Old style pads that Gimatic suggests melting the pins to fasten to new style grippers
 Dimensions of pads: 25.4mm x 12.7mm, with a 2mm thickness.

Gripper Exploded Views with common Replacement Parts and Related Items online, search by Quick#!



Jaw Hook for DD20-16 Grippers

Quick#	Part#	Price
7592	DD20-K2	\$19.73

Hardware included.

Finger Blanks for Compact Grippers

(Dimensioned drawing shown full scale)

Finger Blanks - priced per PAIR

Quick#	Part#	Material	Price
1240	DD20-16-FBA2	Aluminum	\$27.32
7662	DD20-16-FBN2	Nylon	\$20.35

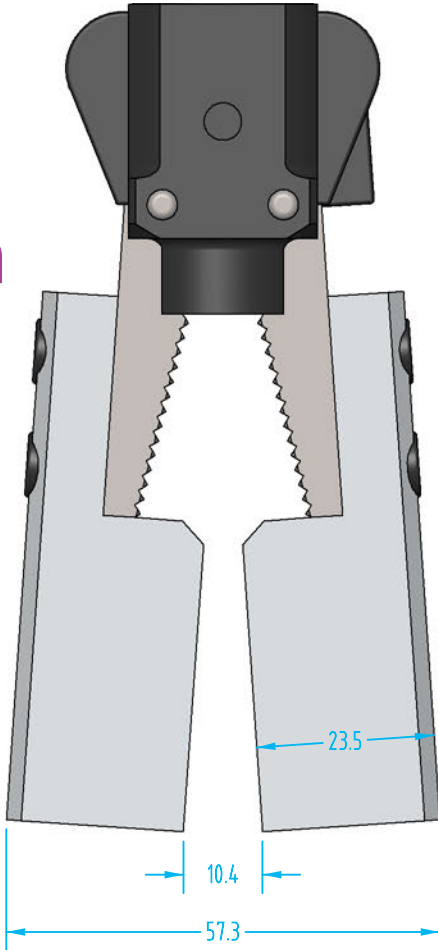
Includes fasteners.

- Don't want to machine custom fingers from scratch? Start with these aluminum, or lightweight nylon finger blanks. They are easy to shape to your particular part.
- For New style Gimatic DD20-16 grippers: #7550, #7551, #7555. Old versions available online at: www.EMlcorp.com.
- For >ASS< GRZ20-16A: #3311.

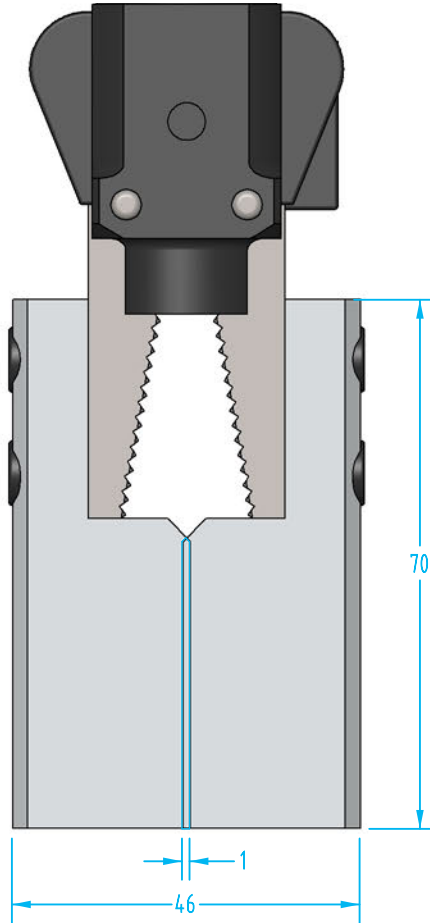
#1240



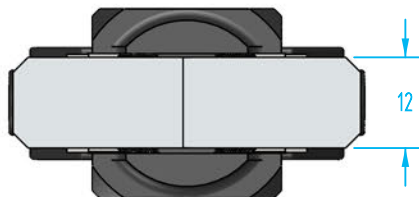
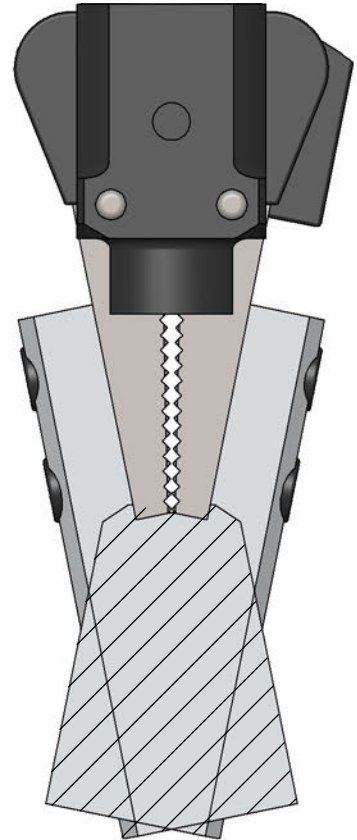
Gripper shown fully open:



Gripper shown in perpendicular position:



Overlapping area when gripper is fully closed:



Suspension Kit for DD20 Grippers

(Dimensioned drawing shown full scale)

- Use this suspension kit with DD20 grippers.
- Order suspension kit + adaptor ring + DD20 gripper.



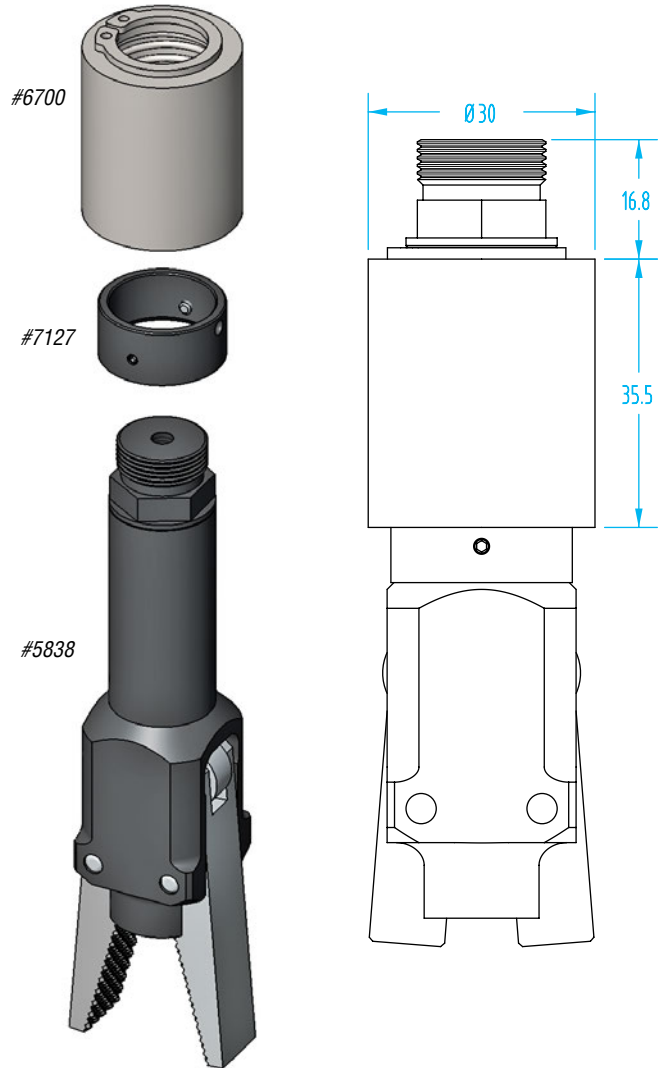
Suspension Kits

Quick#	Part#	Stroke	Price	Wt
6700	TFA20-SP10	10mm	\$32.00	85g

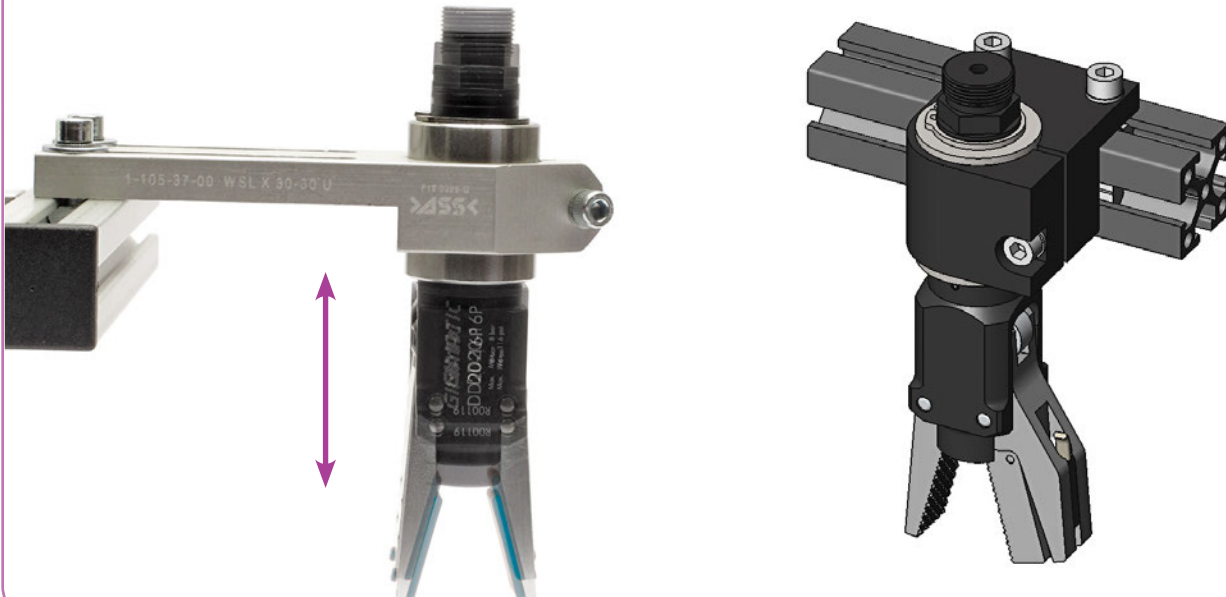


Adaptor Ring

Quick#	Part#	Price	Wt.
7127	DD20-K1	\$29.00	4g

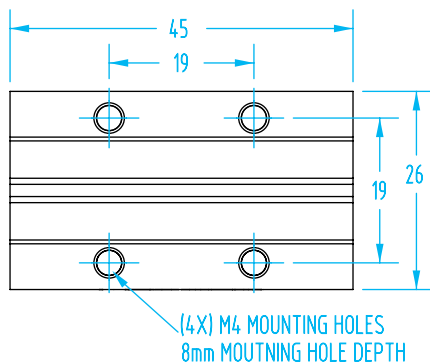


Application Examples

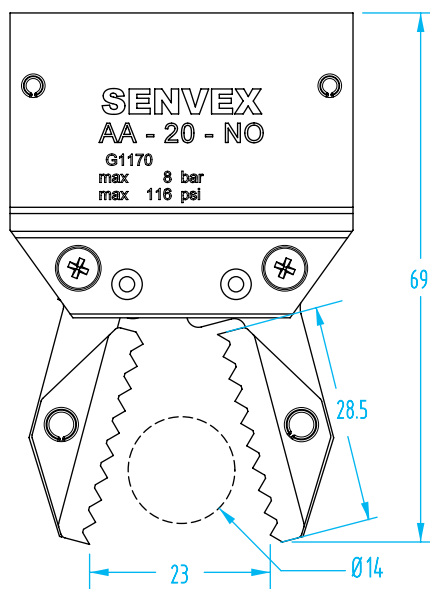


The Original Senvex – AA-20

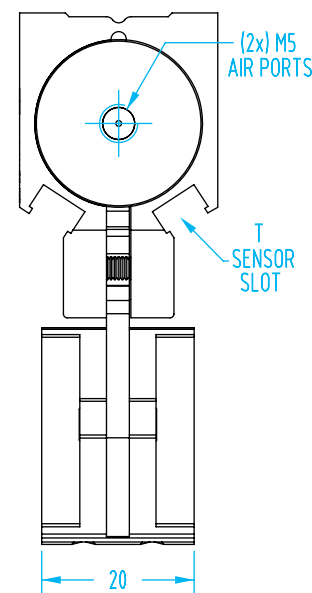
(Dimensioned drawings shown full scale)



(4x) M4 MOUNTING HOLES
8mm MOUNTING HOLE DEPTH



Replacement Parts are available at EMIcorp.com



- Internal jaw mechanism is constructed of hardened steel components for a maintenance-free life exceeding 5 million cycles.
- Sprue fingers are made of hard-coat anodized aluminum for long life. Replacement finger kits are available. Replacement does not require disassembly of the gripper.
- Interlaced and serrated fingers allow a wide range of sprue diameters to be gripped. Small diameter sprues can be gripped and sensed. Large diameter sprues are cradled and won't twist out.
- Dual sensor slots allow two sensors to mount on the gripper providing logic confirmation of three positions: gripper open, sprue gripped, and sprue missed.

Quick#	Part#	Price	Operation	Applicable Sprue Ø	lbs. Force at 25mm Tooling Length*	Weight
790	GSG-AA-20-NO	\$237.00	Normally Open	4-14mm	22.5 lbf	107g
791	GSG-AA-20	\$237.00	Double Acting	4-14mm	27.0 lbf	106g
Order sensors separately See <i>Sensor Reference Guide</i> on page 1008 for a complete list of sensors for AA Grippers.						
792	SL4N225G	\$27.20	PNP sensor	T-slot, 3-wire with lead, 2.5m long		
6274	SL3N203G	\$31.16	PNP sensor	T-slot, 3-wire with M8 male connector, 0.3m long**		
793	SL4M225G	\$27.20	NPN sensor	T-slot, 3-wire with lead, 2.5m long		
6456	SL3M203G	\$31.16	NPN sensor	T-slot, 3-wire with M8 male connector, 0.3m long**		

Note: Gimatic SS sensors also available but must buy sensor adaptor #7440 for the T channel slot
 * Force when compressed air is supplied at 87psi. Tooling length is measured from jaw pivot point.
 ** M8 Extension cables Quick#'s 2582 & 2583 available on page 985.

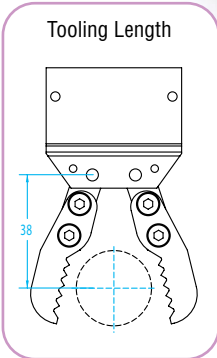
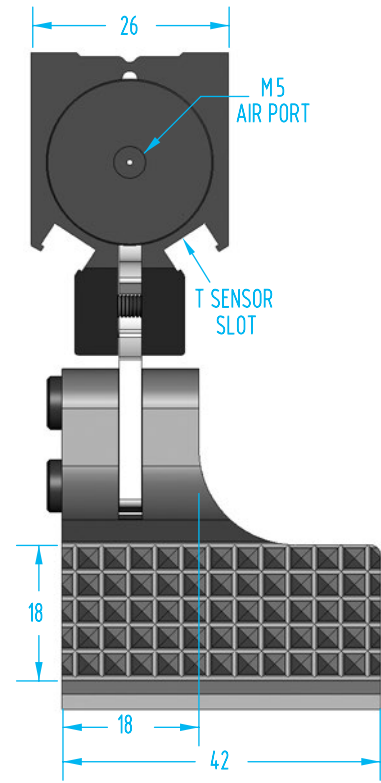
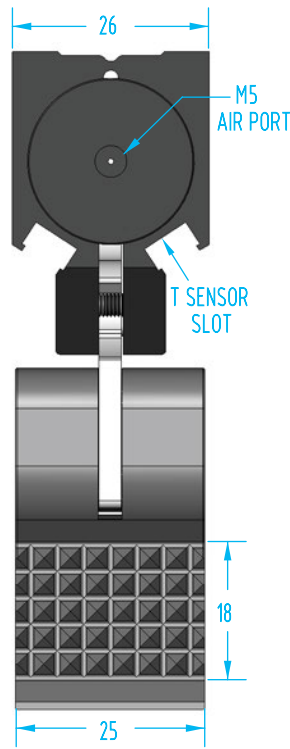
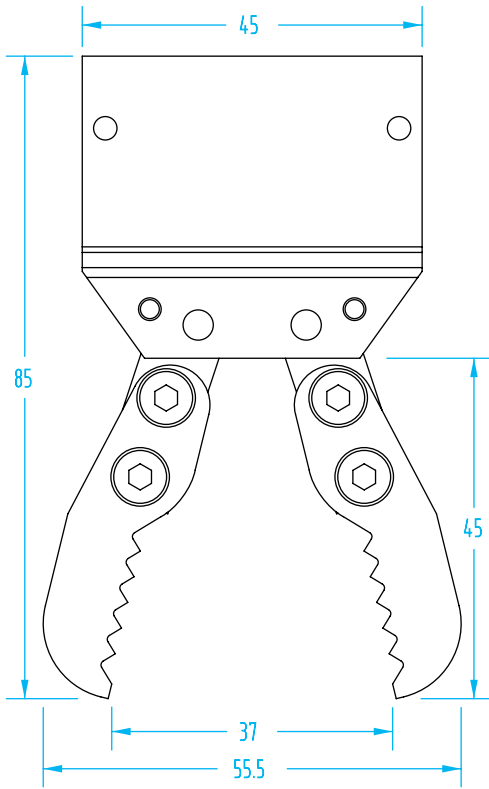
Replacement Fingers - priced per FINGER (each)

Quick#	Part#	Material	Price
794	GSG-AGAF-45	Aluminum	\$18.76
795	GSG-AGSF-45	Tool Steel	\$19.85
600	GSG-ASG-STP	Roll Pins	\$0.30



Large Diameter & Deep Reach – AA-21-LD & AA-21-DR

(Dimensioned drawings shown full scale)



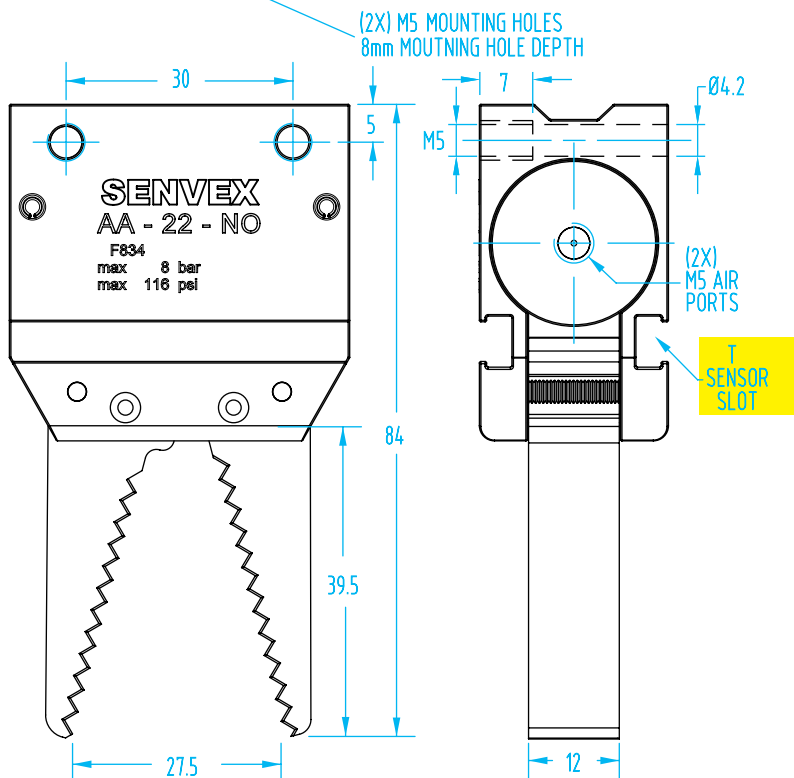
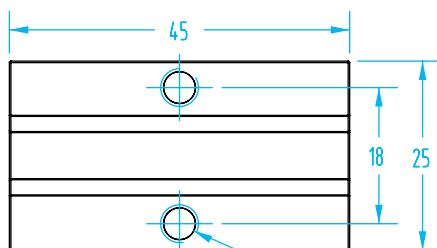
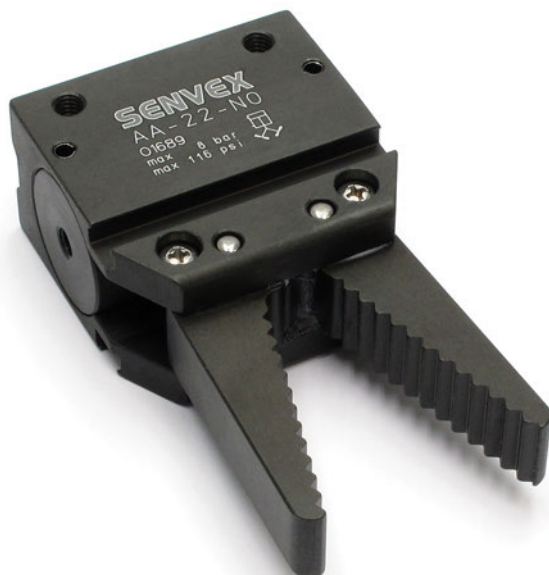
Quick#	Part#	Price	Jaw Style	Operation	Applicable Sprue Ø	lbs. Force at 35mm Tooling Length*	Weight
6660	AA-21-LD-NO	\$259.00	Large Diameter	Normally Open	10–25mm	16.0 lbf	124g
6661	AA-21-LD	\$259.00		Double Acting	10–25mm	19.5 lbf	122g
6658	AA-21-DR-NO	\$290.00	Deep Reach	Normally Open	10–25mm	16.0 lbf	160g
6659	AA-21-DR	\$290.00		Double Acting	10–25mm	19.5 lbf	158g

Note: Order SL.. sensors separately, see page 454.

* Force when compressed air is supplied at 87psi. Tooling length is measured from jaw pivot point.

The Value Sprue Gripper – AA-22

(Dimensioned drawings shown full scale)



- Features high grip force in a compact size, light-weight gripper.
- Threaded holes on three faces provide for many mounting bracket options.
- Sprue fingers are made of anodized extruded aluminum. Replacement finger kits are available in original anodized aluminum. Replacement requires disassembly of the gripper.
- Interlaced and serrated fingers allow a wide range of sprue diameters to be gripped. Small and large diameter sprues can be gripped. Large diameter sprues are cradled and won't twist out.
- **NOTE:** This gripper is very sensitive to sensor positioning. Although sensing is possible with these grippers, we suggest customers wanting sensing use either the AA-20, AA-26, or AA-35 styles.

Quick#	Part#	Price	Operation	Applicable Sprue Ø	lbs. Force at 30mm Tooling Length*	Weight
1473	GSG-AA-22-NO	\$145.00	Normally Open	4–12mm	19.0 lbf	113g
1474	GSG-AA-22	\$145.00	Double Acting	4–12mm	22.5 lbf	112g

Order sensors separately See Sensor Reference Guide on page 1008 for a complete list of sensors for AA Grippers.

Quick#	Part#	Price	Operation	Sensor Slot	Wiring
792	SL4N225G	\$27.20	PNP sensor	T Sensor Slot	3-wire with lead, 2.5m long
6274	SL3N203G	\$31.16	PNP sensor		3-wire with M8 male connector, 0.3m long**
793	SL4M225G	\$27.20	NPN sensor		3-wire with lead, 2.5m long
6456	SL3M203G	\$31.16	NPN sensor		3-wire with M8 male connector, 0.3m long**
1882	SS4N225G	\$27.20	PNP sensor	C Sensor Slot	3-wire with lead, 2.5m long
6282	SS3N203G	\$31.16	PNP sensor		3-wire with M8 male connector, 0.3m long**
1883	SS4M225G	\$27.20	NPN sensor		3-wire with lead, 2.5m long
1884	SS3M203G	\$31.16	NPN sensor		3-wire with M8 male connector, 0.3m long**

* Force when compressed air is supplied at 87psi. Tooling length is measured from jaw pivot point.

** M8 Extension cables Quick#'s 2582 & 2583 available on page 985.

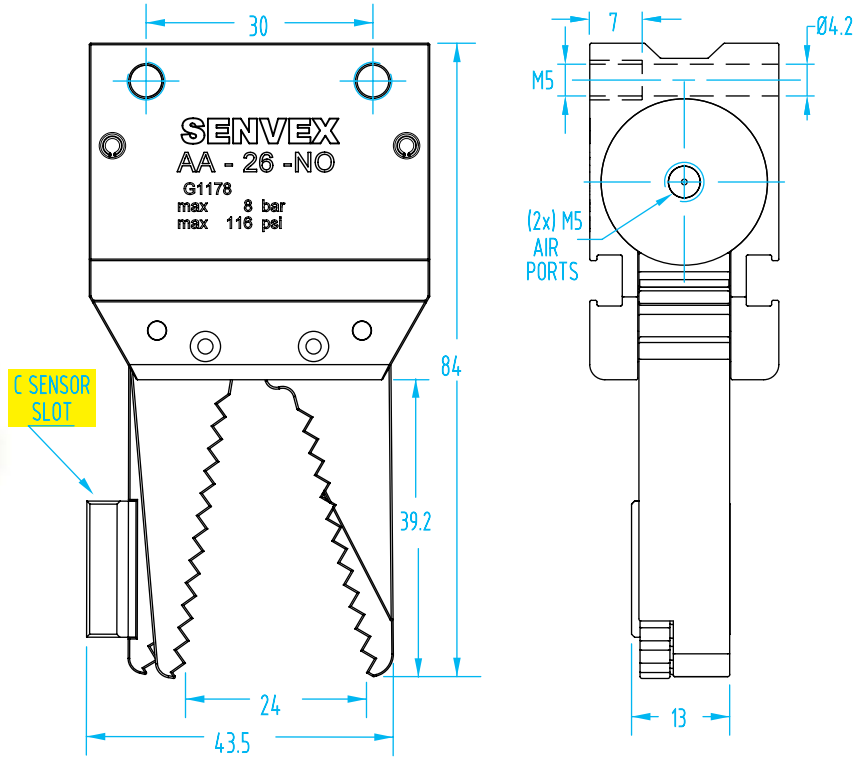
Replacement Fingers - priced per pair

Quick#	Part#	Material	Price
1475	GSG-AA-22-RF	Aluminum	\$33.25

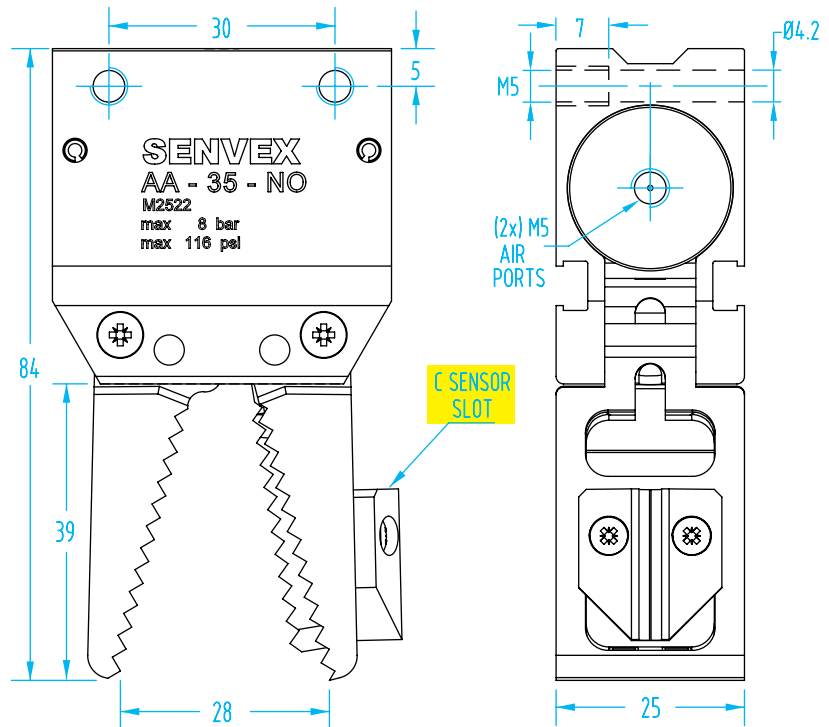


Sensor Finger Sprue Gripper – AA26 & AA-35

(Dimensioned drawings shown full scale)



- **Simple, easy sensing.** A single sensor mounted on the finger confirms 'sprue gripped' and eliminates the typical 'hide and seek' process of sensor set-up.
- The sprue detection mechanism is made of anodized aluminum for long life and built into the finger.
- Interlaced and serrated fingers allow a wide range of sprue diameters to be gripped and sensed.
- The high-power gripper body and closing mechanism are the same as the popular AA-22 and AA-26 models—of which thousands are in reliable operation.



Quick#	Part#	Price	Jaw Style	Operation	Applicable Sprue Ø	lbs. Force at 30mm Tooling Length*	Weight
1880	GSG-AA-26S-NO	\$186.00	Sensor Finger	Normally Open	4–12mm	19.0 lbf	115g
1881	GSG-AA-26S	\$186.00		Double Acting	4–12mm	22.5 lbf	115g
6625	AA-35-NO	\$241.00	Wide Sensor Finger	Normally Open	4–14mm	19.0 lbf	135g
6626	AA-35	\$241.00		Double Acting	4–14mm	22.5 lbf	135g

Note: Order SS.. C-Slot sensors for the jaw separately, see page 456

* Force when compressed air is supplied at 87psi. Tooling length is measured from jaw pivot point.

Mounting Brackets for AA Grippers

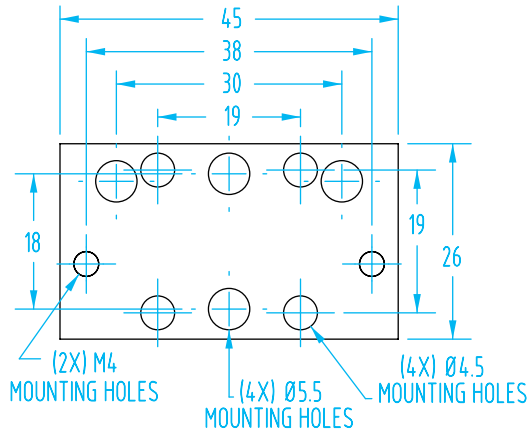
For AA-20, AA-21, AA-22, AA-23, AA-26 and AA-35 Grippers



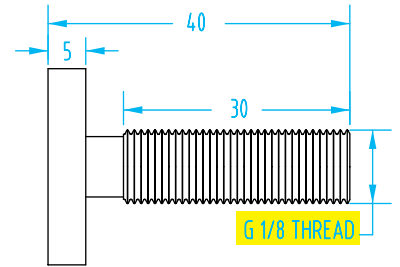
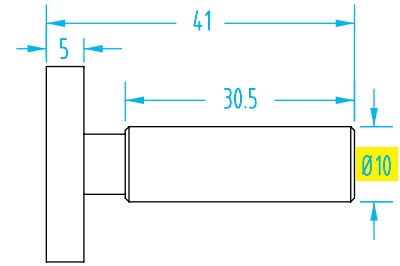
#5465



#1825



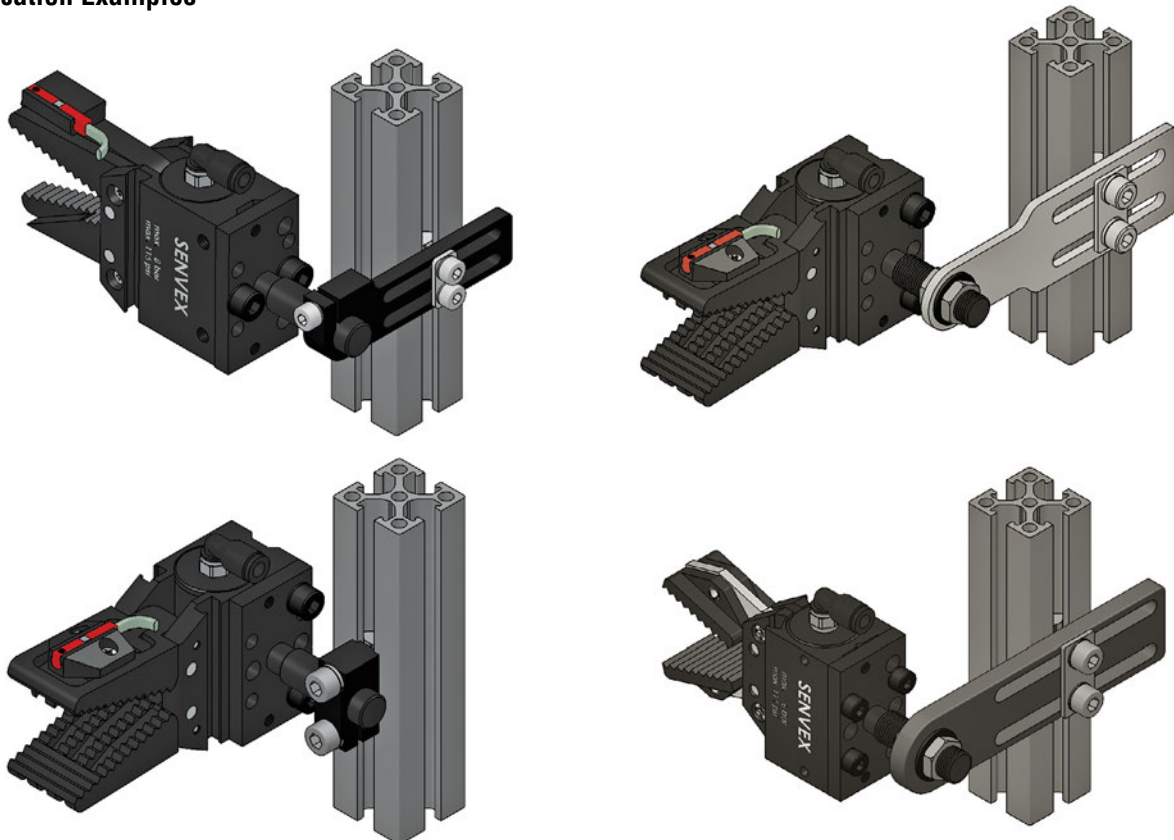
(Dimensioned drawings shown full scale)



Gripper Mounting Bracket

Quick#	Part#	Style	Weight	Price
5465	GSG-SMMB-45	Clampable Ø10mm Shaft	26g	\$28.17
1825	GSC-TMB-45	Threaded G1/8" Shaft	26g	\$28.29
Order separately		<i>See page 1076.</i>		
For AA-20 & AA-21:		4x M4x10mm screws (#834)		
		4x M4 lock washers (#846)		
For AA-22, AA-23, AA-26 & AA-35:		2x M5x10mm screws (#852)		
		2x M5 lock washers (#865)		

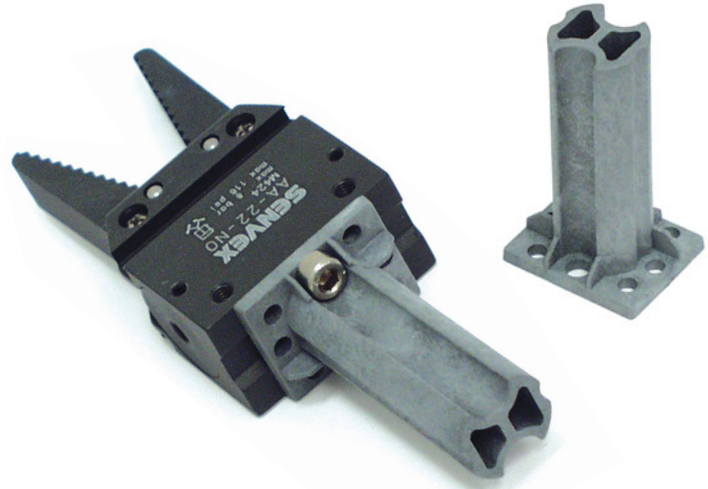
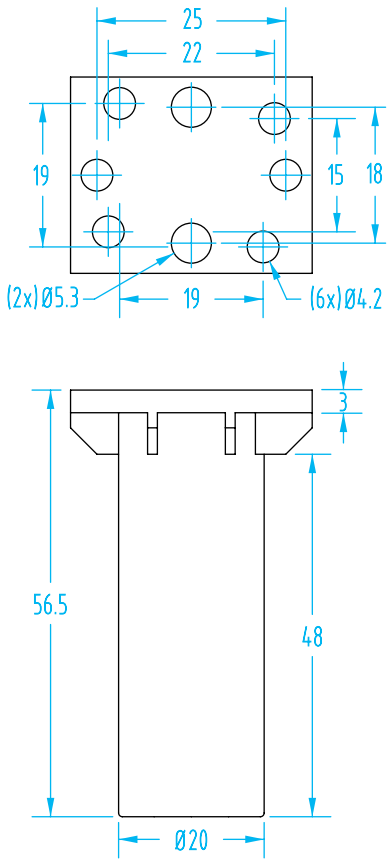
Application Examples



Mounting Brackets for AA Grippers

(Dimensioned drawings shown full scale)

For AA-20, AA-21, AA-22, AA-23, AA-26 & AA-35 Grippers



Composite Mounting Bracket

Quick#	Part#	Price	Use with:	Wt.
6375	MFP-A01	\$3.43	AA-20, AA-21, AA-22, AA-23, AA-26 & AA-35	26g
Order separately			<i>Made of GRP. See page 1076.</i>	
For AA-20 & AA-21:		4x M4x8mm screws (#833) 4x M4 lock washers (#846)		
For AA-22, AA-23, AA-26 & AA-35:		2x M5x8mm screws (#851) 2x M5 lock washers (#865)		

Also Available:

Mounting Brackets

Quick#	Part#	For	Wt	Price
798	GSG-SMB-45	AA-20 & AA-21	36g	\$19.87
5466	GSGRMB-M12	All AA- Grippers	24g	\$23.86
6736	I34K	All AA- Grippers	65g	\$34.82

Order hardware separately, see EMIcorp.com for dimensional drawings & related items.



#6736



#5466

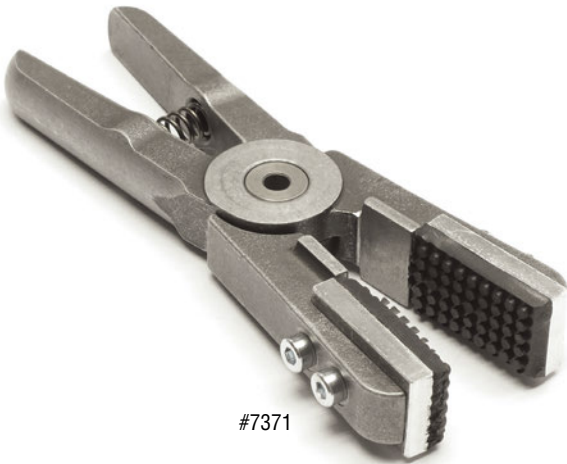


#5466 & VLR Extension



#798

High-Power Sprue Jaws – JGW & JGN



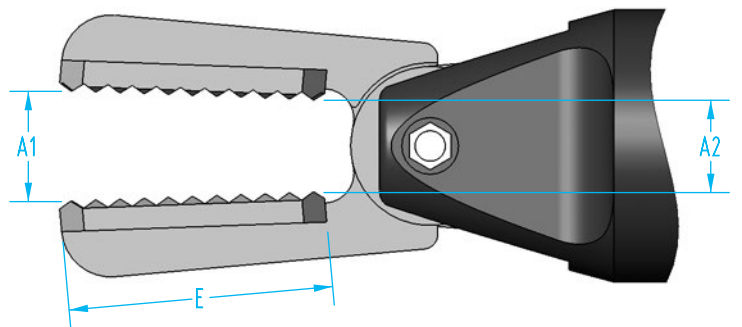
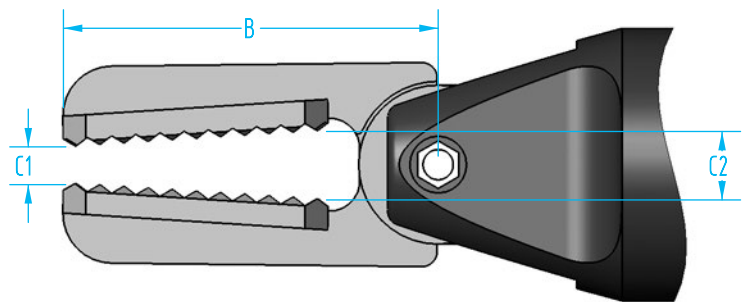
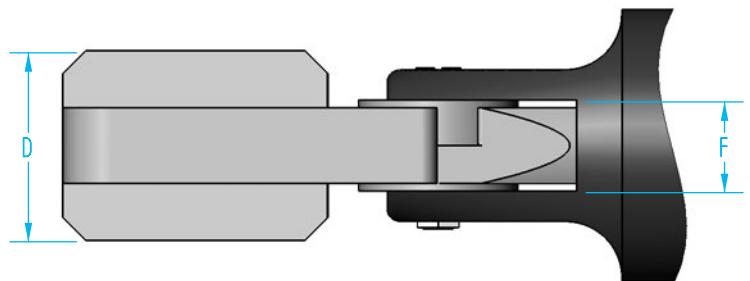
#7371

Sprue Jaws with Nitrile pads

These jaws—combined with size 10 & 20 nipper bodies—are ideal for tough gripping, ripping, and stripping applications. Use these for large sprues that “stick” in the mold and need strong pulling force to remove them or for large runners that have too much rotational torque for standard grippers to handle.

These are also ideal for gripping and stripping wide fan-gates typically used with auto bumper-type parts. These can be used with any size 10 & 20 nipper bodies and all the associated mounting brackets. Gimatic® nipper bodies offer both sensor-equipped bodies and standard non-sensor body styles.

Compared to general-purpose sprue grippers, these jaws have narrower opening and closing angles. Pay careful attention to the open/close dimensions when sizing. Our EOAT Engineering Department is available to assist you in sizing these to your application.



High Power Sprue Jaws - dimensions

Quick#	Part#	A1	A2	B	C1	C2	D	E	F
6100	JGW-10S-A50	14.5	12	49.5	5	9	25	35	12
6125	JGN-10S-A52	9	6.5	49.5	0	3.5	25	35	12
7371	JGN-10N	9	7.5	49.5	0	2	16	24	12

High-Power Sprue Jaws – JGW & JGN

(Dimensioned drawings shown full scale)



Quick#	Part#	Price	Finger Style	Applicable Sprue Ø	For Gimatic Nipper Body:	Gripping Force* when used with Gimatic nipper body**	Wt.
6125	JGN-10S-A52	\$108.00	narrow	5–10mm	Size 10 Nipper Bodies: Quick#'s 1902 & 1903	448.5 lbf (@1½" from pivot point)	190g
6100	JGW-10S-A50	\$108.00	wide	5–10mm		448.5 lbf (@1½" from pivot point)	175g
7371	JGN-10N	\$238.00	narrow	5–10mm		448.5 lbf (@1½" from pivot point)	137g
6458	JGN-20S-A52	\$108.00	narrow	10–15mm	Size 20 Nipper Bodies: Quick#'s 1904 & 1905	790.5 lbf (@1½" from pivot point)	200g
6459	JGW-20S-A50	\$108.00	wide	10–15mm		790.5 lbf (@1½" from pivot point)	185g

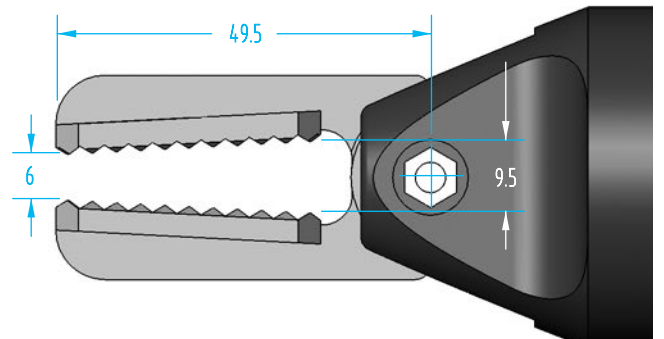
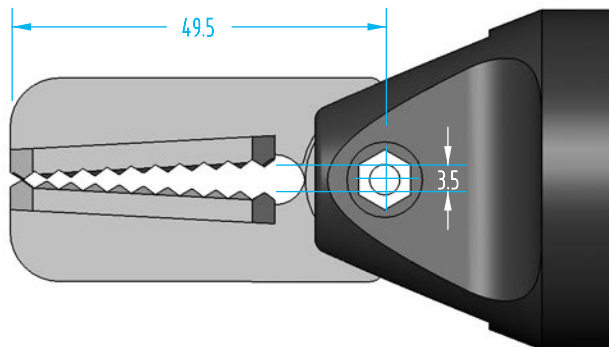
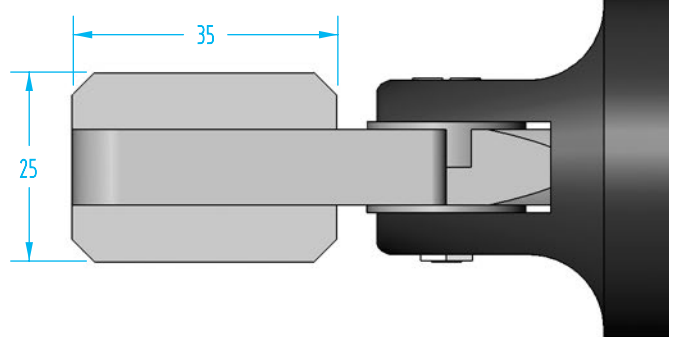
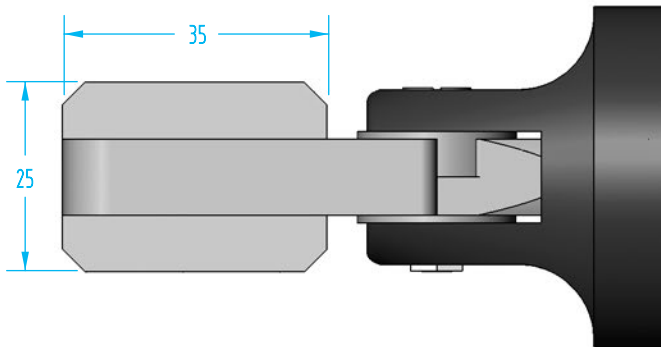
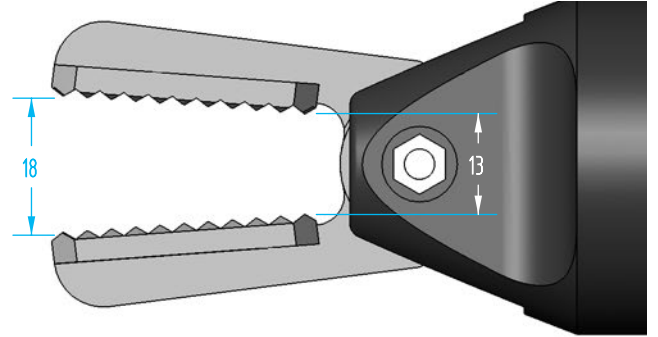
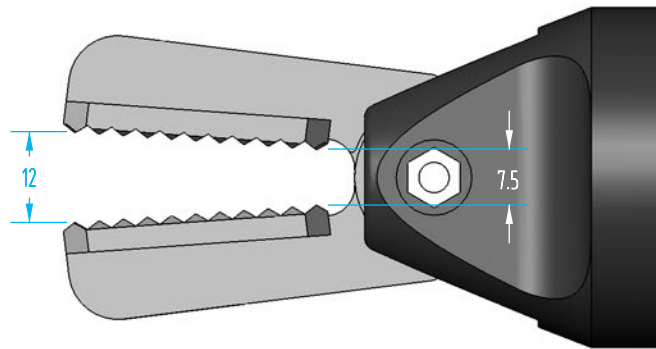
* at 87 psi.

**jaws are compatible with all nipper body brands when fitted with the appropriate size nipper body.

(Order nipper body separately, see page 827)

#6458 - for size 20 nipper body (narrow style):

#6459 - for size 20 nipper body (wide style):

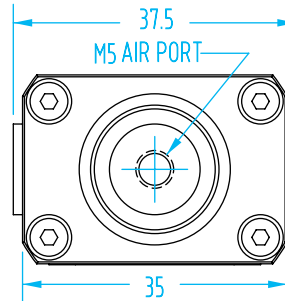


Full-Body Sprue Grippers – GRZ 20-20

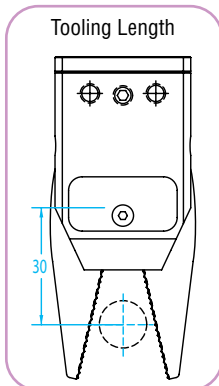
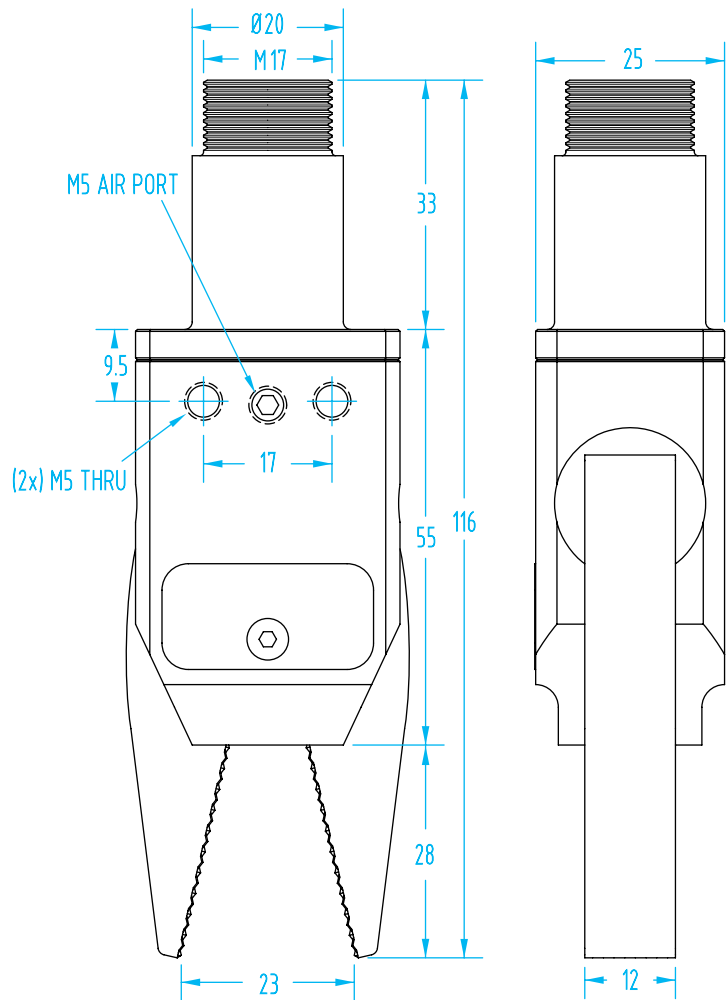
(Dimensioned drawings shown full scale)

GRZ 20-20 Features:

- Single acting with spring opening.
- Jaws are made of hard-coated aluminum, body made of anodized aluminum.
- Many mounting options — Ø20mm clampable body.
- Higher grip force than the GRZ20-16.
- M5 air ports in shaft and side.
- Grippers with sensors also include a 6' extension cable.



#3671 - With hard-coated aluminum jaws



Quick#	Part#	>ASS< #	Price	lbs. Force at 30mm Tooling Length*	Applicable Sprue Ø	Weight
3671	GRZ-20-20	1-417-00-00	\$209.48	32.0 lbf	2-12mm	133g

*Note: Force at 87psi (6 bar)

Use Quick#s for easy online ordering.

Full-Body Sprue Grippers – GRZ 20-20

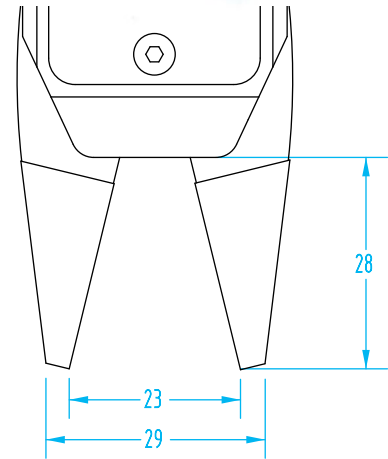
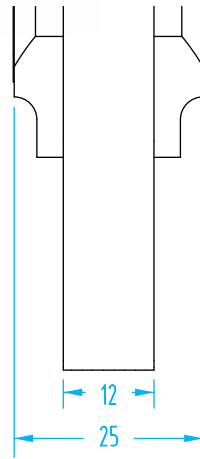
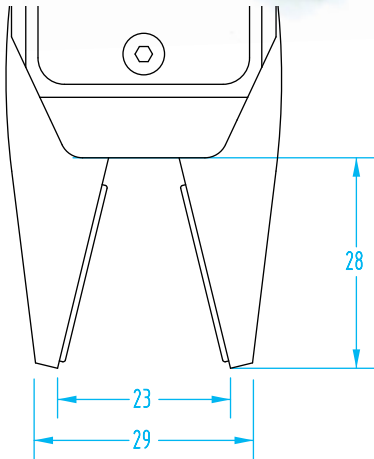
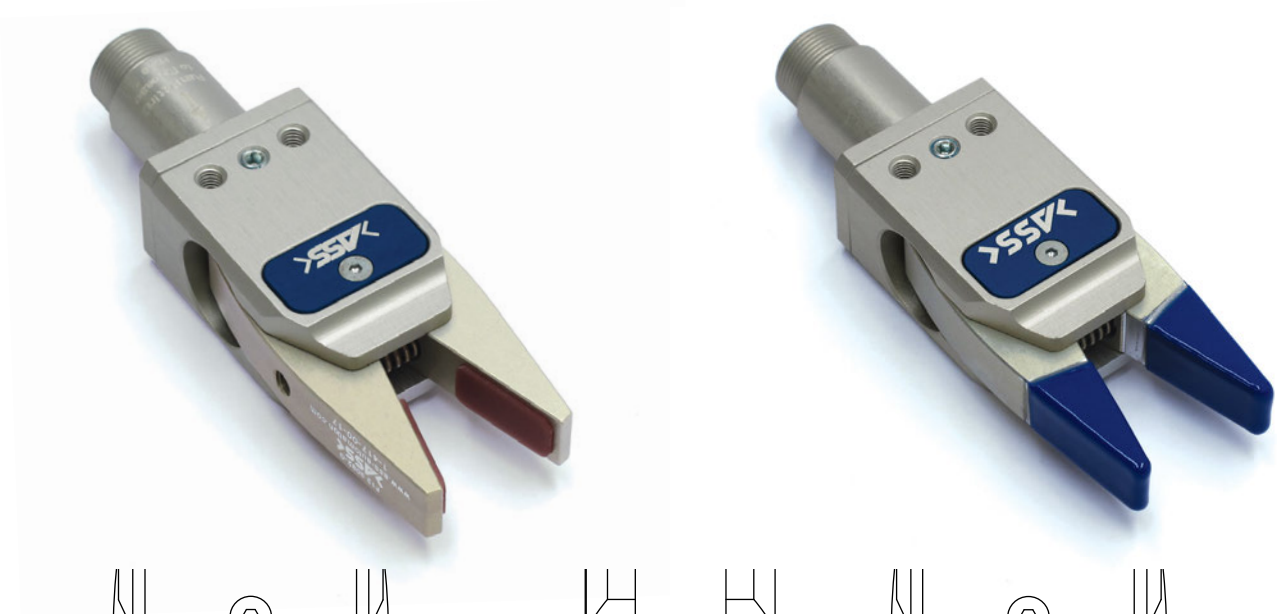
(Dimensioned drawings shown full scale)

#3718 - With polyurethane padded jaws

- Silicone free, non-marking pads
- Short term contact for PU pads is 230° F

#3725 - With soft touch coated jaws

- Silicone free, non-marking coating
- 194°F (266°F short term) max. temperature



Quick#	Part#	>ASS< #	Price	Style	lbs. Force at 30mm Tooling Length*	Applicable Sprue Ø	Weight
3718	GRZ-20-20-PU	1-417-30-00	\$214.20	Padded jaws	32.0 lbf	2-12mm	133g
3725	GRZ-20-20-EP	1-417-65-00	\$288.75	Coated jaws	32.0 lbf	2-12mm	133g

*Note: Force at 87psi (6 bar)

Lateral Mounting Bracket for GRZ-20

Quick#	Part#	>ASS< #	Wt	Price
3477	AD-20-GRZ-20-S	1-417-09-00	41g	\$36.75

NEW

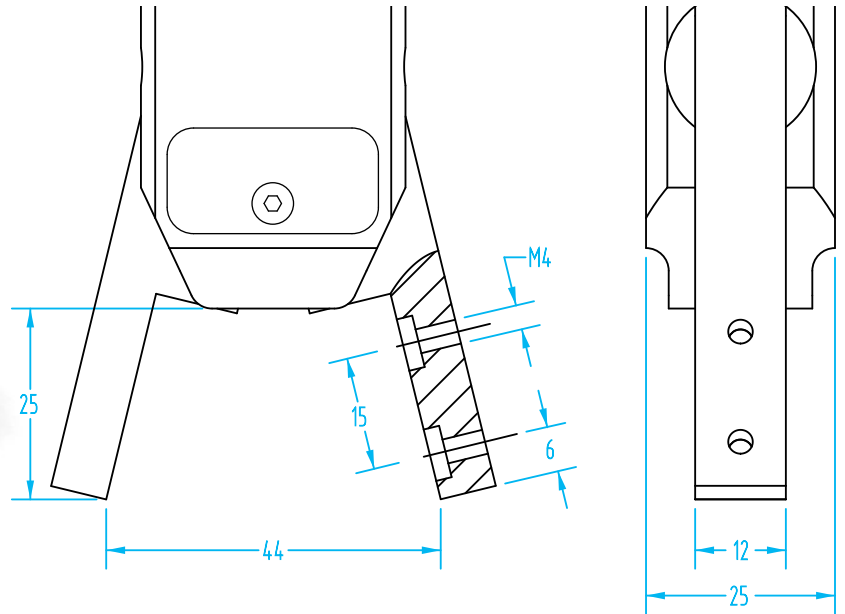
Includes hardware.



Full-Body Sprue Grippers – GRZ 20-20

(Dimensioned drawings shown full scale)

#3717 - With custom jaws



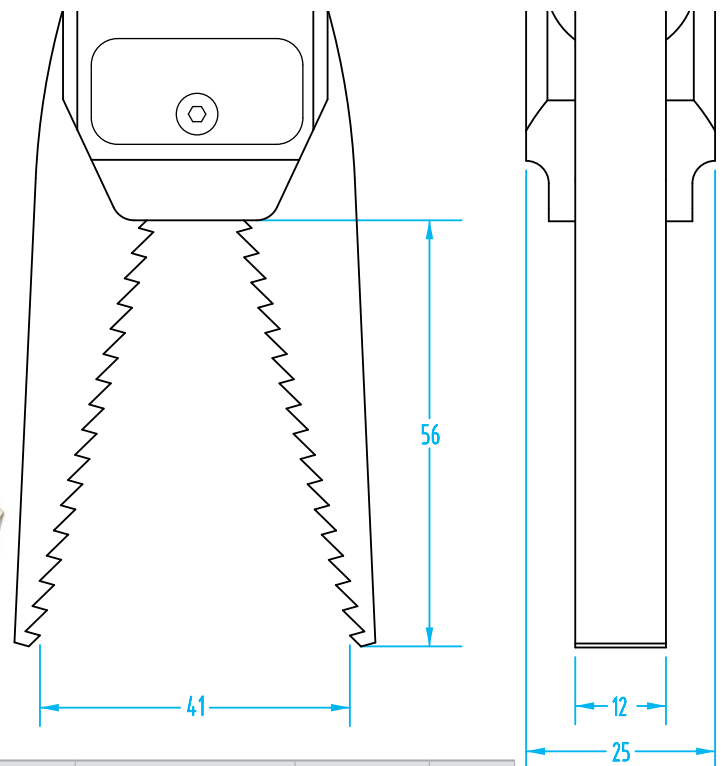
Fittings Available on page 1047



Quick#	Part#	>ASS< #	Price	lbs. Force at 30mm Tooling Length*	Weight
3717	GRZ-20-20-A	1-417-03-00	\$182.18	32.0 lbf	130g

*Note: Force at 87psi (6 bar)

#3641 - With long saw jaws



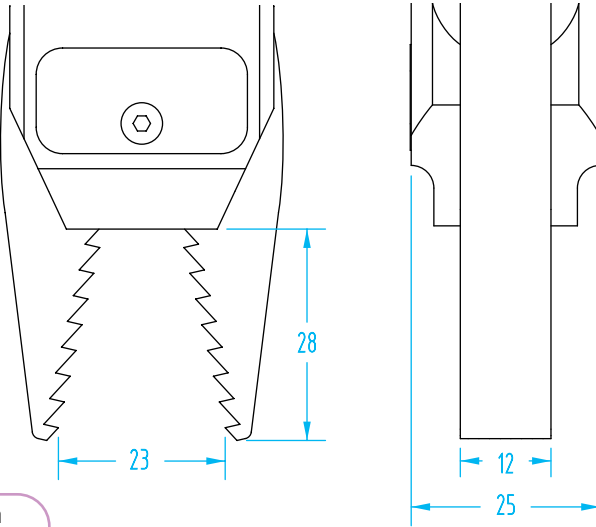
Quick#	Part#	>ASS< #	Price	lbs. Force at 30mm Tooling Length*	Applicable Sprue Ø	Weight
3641	GRZ-20-20-SL	1-417-07-00	\$273.00	32.0 lbf	5–25mm	133g

*Note: Force at 87psi (6 bar)

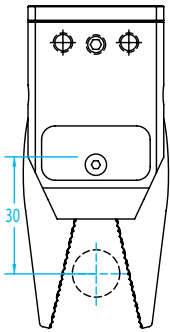
Full-Body Sprue Grippers – GRZ 20-20

(Dimensioned drawings shown full scale)

#3674 - With saw jaws



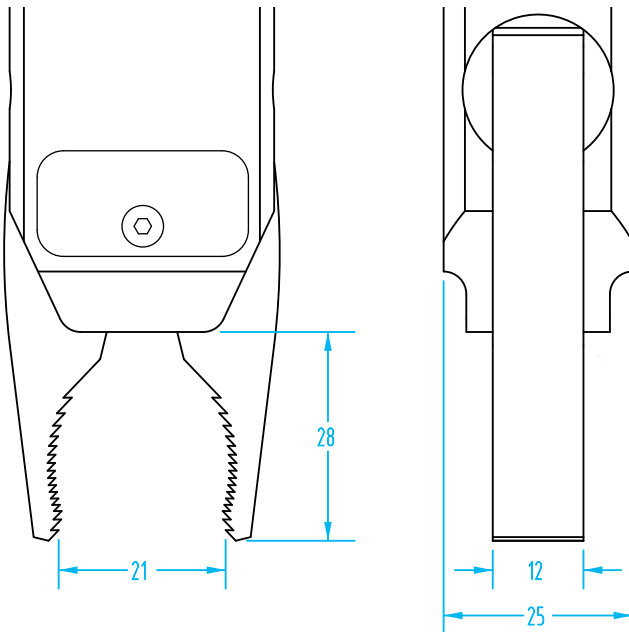
Tooling Length



Quick#	Part#	>ASS< #	Price	lbs. Force at 30mm Tooling Length*	Applicable Sprue Ø	Weight
3674	GRZ-20-20-S	1-417-06-00	\$214.20	32.0 lbf	4-12mm	133g

*Note: Force at 87psi (6 bar)

#3642 - With concave jaws



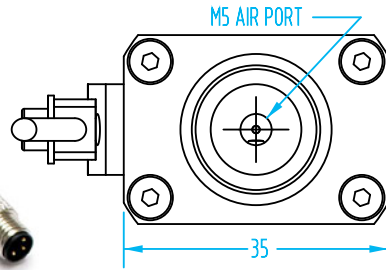
Quick#	Part#	>ASS< #	Price	lbs. Force at 30mm Tooling Length*	Applicable Sprue Ø	Weight
3642	GRZ-20-20-Z	1-417-05-00	\$214.20	32.0 lbf	4-12mm	133g

*Note: Force at 87psi (6 bar)

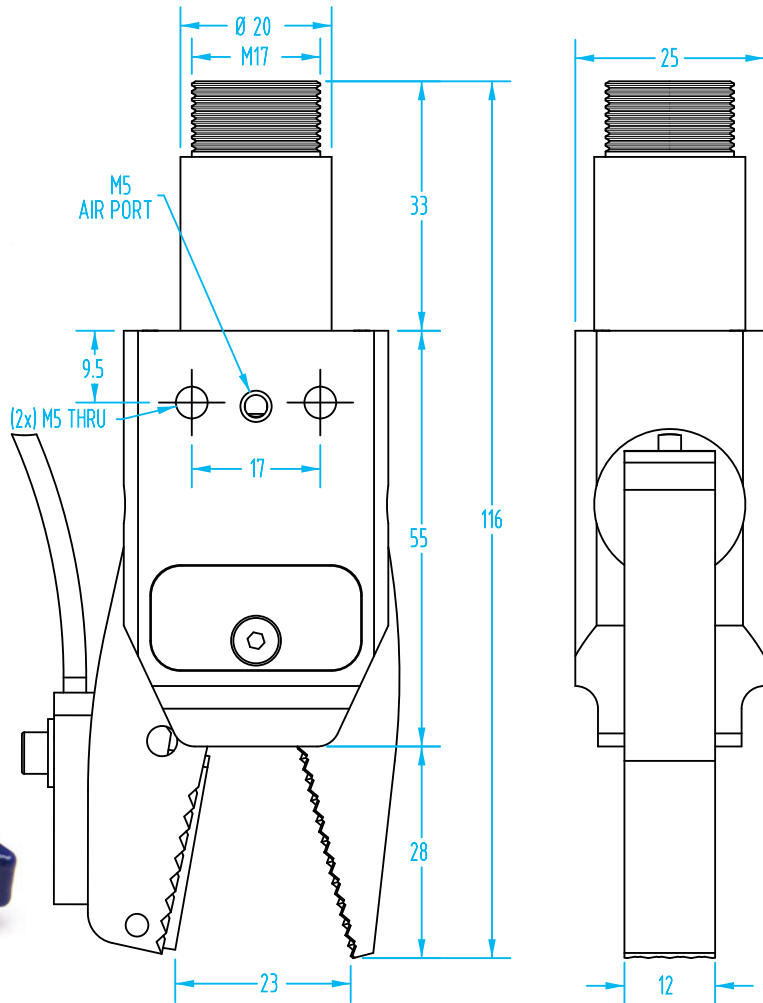
Full-Body Sensor Finger – GRZ 20-20

(Dimensioned drawings shown full scale)

#3672 / #3673 - With diamond textured jaws and sensor



#3739 / 3740 - With coated jaws and sensor



Quick#	Part#	>ASS< #	Price	Sensor	Style	lbs. Force at 30mm Tooling Length*	Applicable Sprue Ø	Wt.
3672	GRZ-20-20-CS-PNP	1-417-20-00	\$304.50	PNP	Diamond Texture	32.0 lbf	4-12mm	145g
3673	GRZ-20-20-CS-NPN	1-417-20-01	\$304.50	NPN				
3739	GRZ-20-20-RCS-PNP-EP	1-417-62-00	\$367.50	PNP	EP Coated	32.0 lbf	4-12mm	153g
3740	GRZ-20-20-RCS-NPN-EP	1-417-63-00	\$367.50	NPN				

Includes sensor with M8 plug and a 6' KG 8-3 extension cable.

Use Quick#s for easy online ordering.

*Note: Force at 87psi (6 bar)

Full-Body Sensor Finger – GRZ 20-20

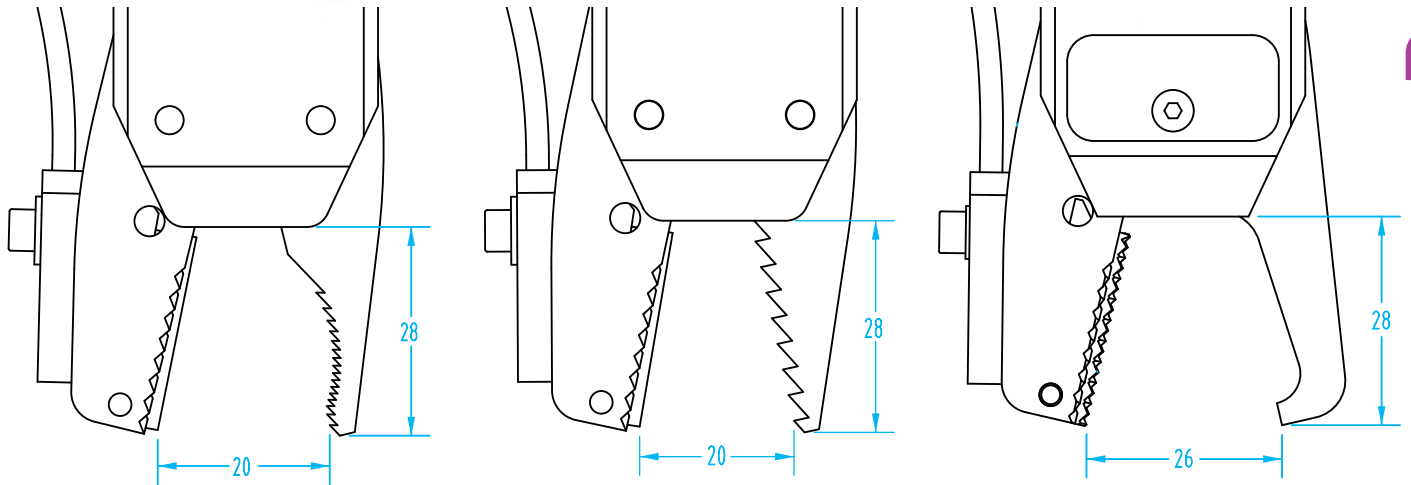
(Dimensioned drawings shown full scale)

#3675 / #3676 - With saw jaws

#3643 / #3644 - With concave jaws

#3888 / #3889 - With parrot jaws

NEW



Quick#	Part#	>ASS< #	Price	Sensor	Style	lbs. Force at 30mm Tooling Length*	Applicable Sprue Ø	Wt.
3675	GRZ-20-20-SCS-PNP	1-417-22-00	\$304.50	PNP	Saw Jaws	32.0 lbf	4-12mm	133g
3676	GRZ-20-20-SCS-NPN	1-417-22-01	\$304.50	NPN				
3643	GRZ-20-20-ZC-PNP	1-417-21-00	\$304.50	PNP	Concave Jaws	32.0 lbf	4-12mm	143g
3644	GRZ-20-20-ZC-NPN	1-417-21-01	\$304.50	NPN				
3888	GRZ-20-PS-CS-PNP	1-417-32-00	\$384.30	PNP	Parrot Jaws	32.0 lbf	4-12mm	141g
3889	GRZ-20-PS-CS-NPN	1-417-33-00	\$384.30	NPN				

Includes sensor with M8 plug and a 6' KG 8-3 extension cable.

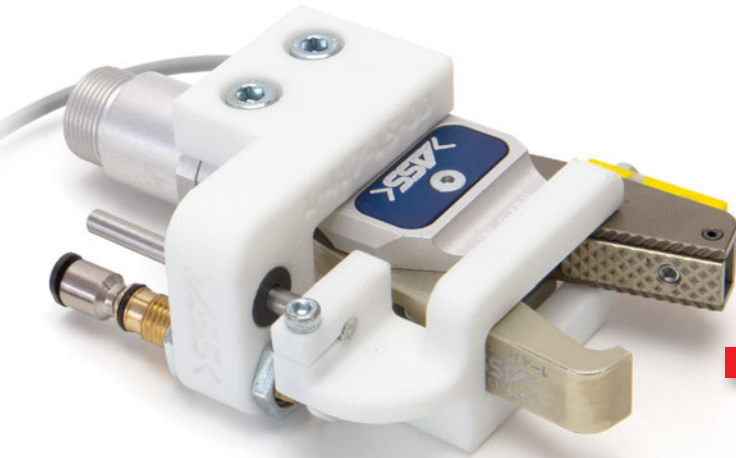
**Note: Force at 87psi (6 bar)*

Sprue Pusher for GRZ-20 Full Body Sprue Grippers

- If attaching to a gripper with a sensor, mount to the opposite side as the sensor finger.
- The AAE Sprue Pusher is 3D printed from a durable plastic material in order to save weight.
- Actuated by a pneumatic micro barrel cylinder, a spring returns the pusher back into its default position.
- Kit includes: Sprue push unit, M3 fitting for 4mm tubing, 6mm to 4mm tubing reducer, 3' (1meter) 4mm tubing.

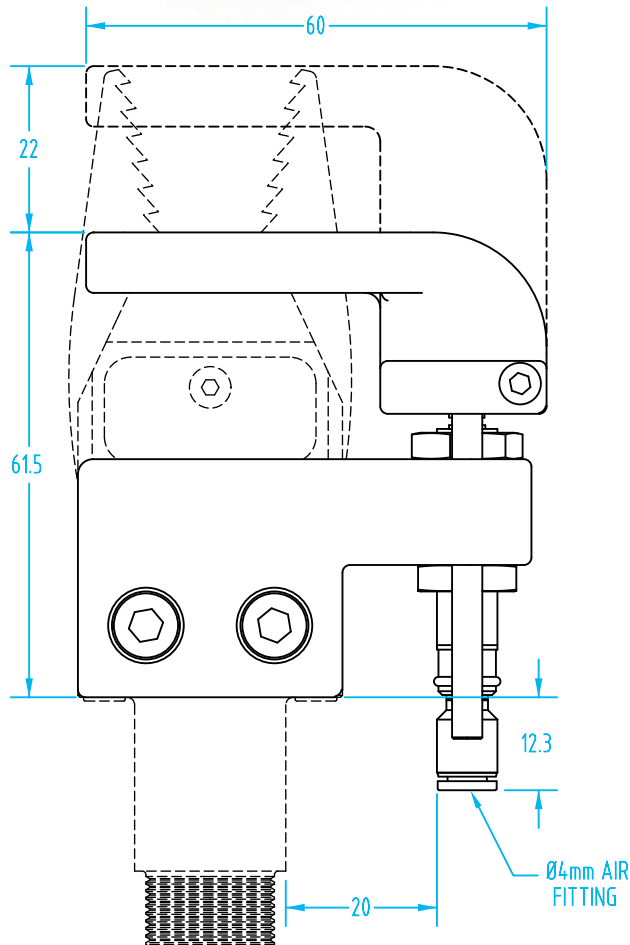


Shown installed on GRZ-20-PS-CS-NPN (Q#3889)

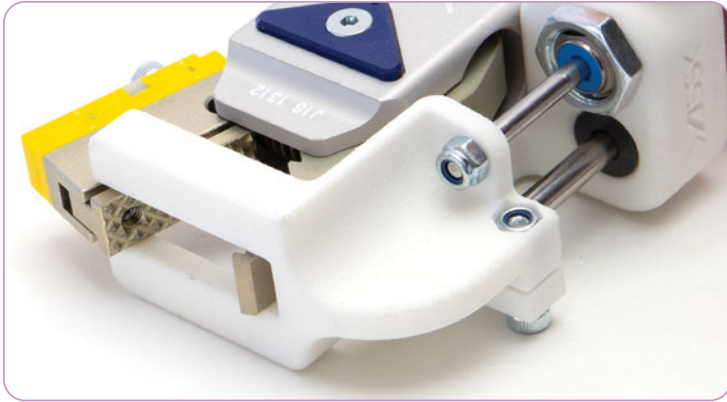


NEW

Quick#	Part#	>ASS< #	Price	Weight
3891	AAE-20	1-417-15-00	\$194.25	60g



Sprue Pusher for GRZ-14 Medium Body Sprue Grippers



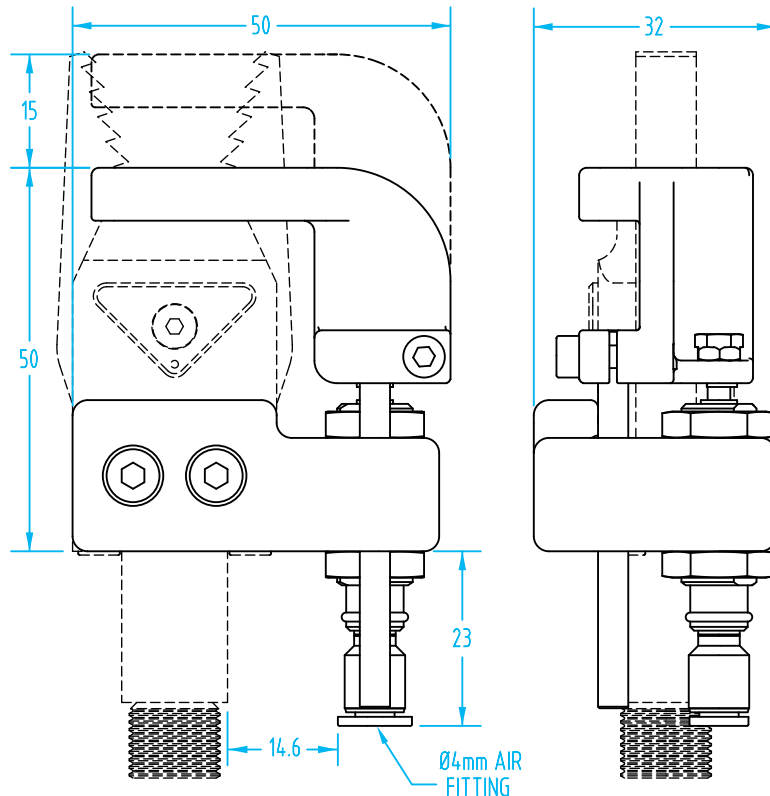
Shown installed on GRZ-14-SCS-PNP (Q#3714)

- If attaching to a gripper with a sensor, mount to the opposite side as the sensor finger.
- The AAE Sprue Pusher is 3D printed from a durable plastic material in order to save weight.
- Actuated by a pneumatic micro barrel cylinder, a spring returns the pusher back into its default position.
- Kit includes: Sprue push unit, M3 fitting for 4mm tubing, 6mm to 4mm tubing reducer, 3' (1meter) 4mm tubing.



NEW

Quick#	Part#	>ASS< #	Price	Weight
3890	AAE-14	1-414-15-00	\$194.25	47g



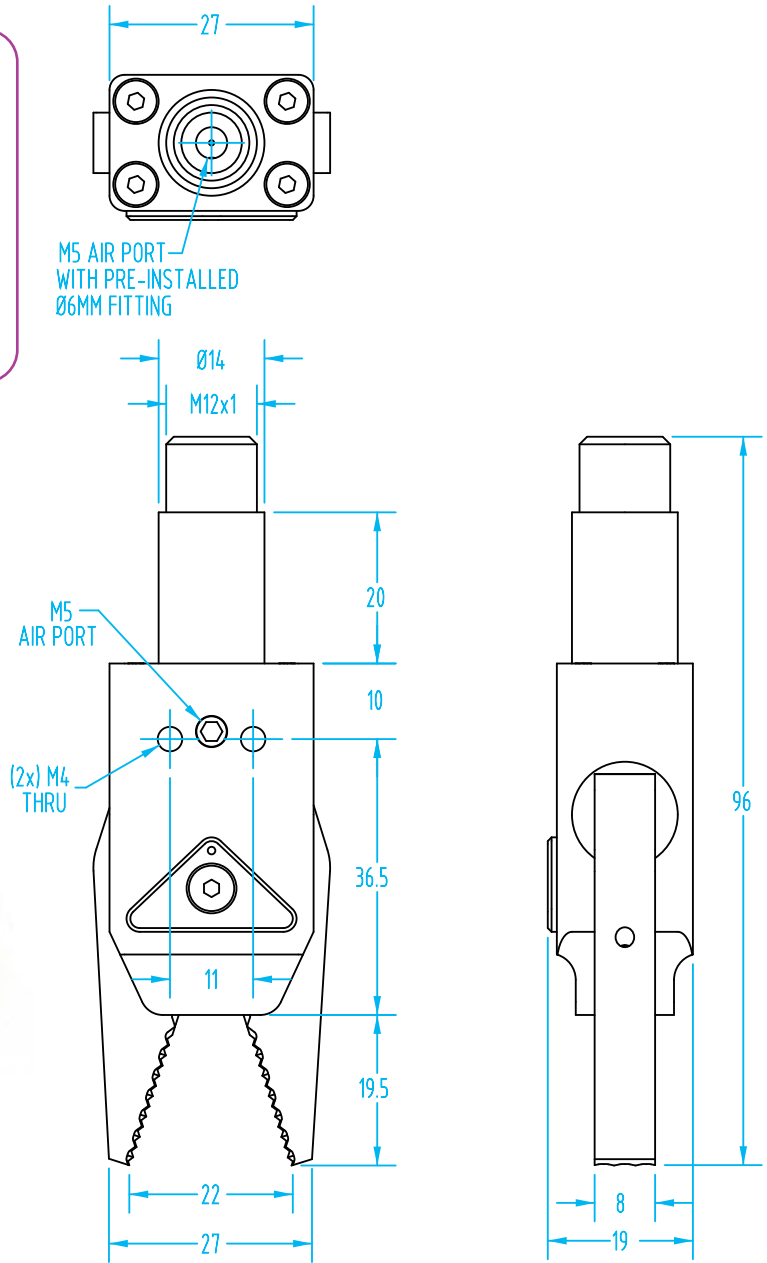
Medium-Body Sprue Grippers – GRZ 14

(Dimensioned drawings shown full scale)

GRZ 14 Features:

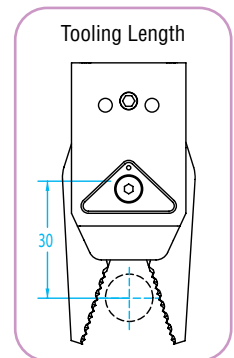
- A push-in fitting for Ø6mm tubing is pre-installed in or on the shaft depending on model number. Check our website for current information.
- Single acting with spring opening.
- Jaws are made of hard-coated aluminum, body made of anodized aluminum.
- Many mounting options — Ø14mm clampable body.
- M5 air ports on shaft and side.
- Grippers with sensors also include a 6' extension cable.

#3723 - with diamond textured jaws



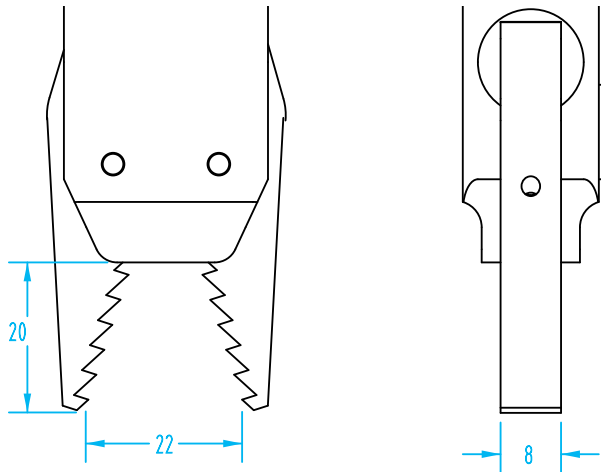
Quick#	Part#	>ASS< #	Price	lbs. Force at 30mm Tooling Length*	Applicable Sprue Ø	Weight
3723	GRZ-14-R	1-414-00-00	\$190.05	18.5lbf	2–12mm	65g

*Note: Force at 87psi (6 bar)



Medium-Body Sprue Grippers – GRZ 14

(Dimensioned drawings shown full scale)



#3713 - with saw jaws



Quick#	Part#	>ASS< #	Price	lbs. Force at 30mm Tooling Length*	Applicable Sprue Ø	Weight
3713	GRZ-14-S	1-414-40-00	\$227.85	18.5lbf	2–12mm	65g

*Note: Force at 87psi (6 bar)

#3710 - with polyurethane padded jaws

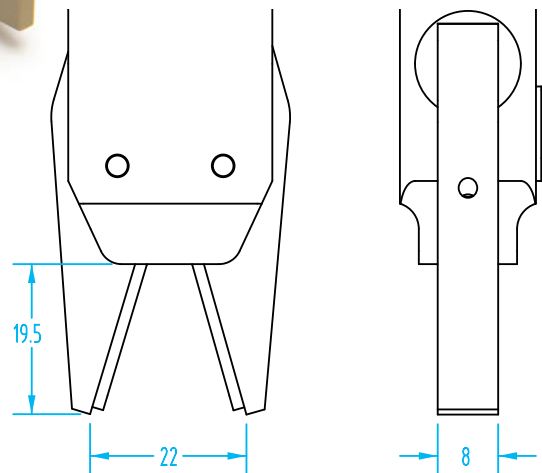
- Silicone free, non-marking pads
- Short term contact for PU pads is 230° F

#3724 - with soft touch coated jaws

- Silicone free, non-marking coating
- 194°F (266°F short term) max. temperature



Starting 2021 GRZ 14 Grippers will have a push-in Ø6mm fitting installed on the shaft. Visit our website to find current information.



Quick#	Part#	>ASS< #	Price	Style	lbs. Force at 30mm Tooling Length*	Applicable Sprue Ø	Weight
3724	GRZ-14-EP	1-414-65-00	\$252.00	Coated jaws	18.5lbf	2–12mm	65g
3710	GRZ-14-PU	1-414-30-00	\$220.50	Padded jaws	18.5lbf	2–12mm	65g

*Note: Force at 87psi (6 bar)

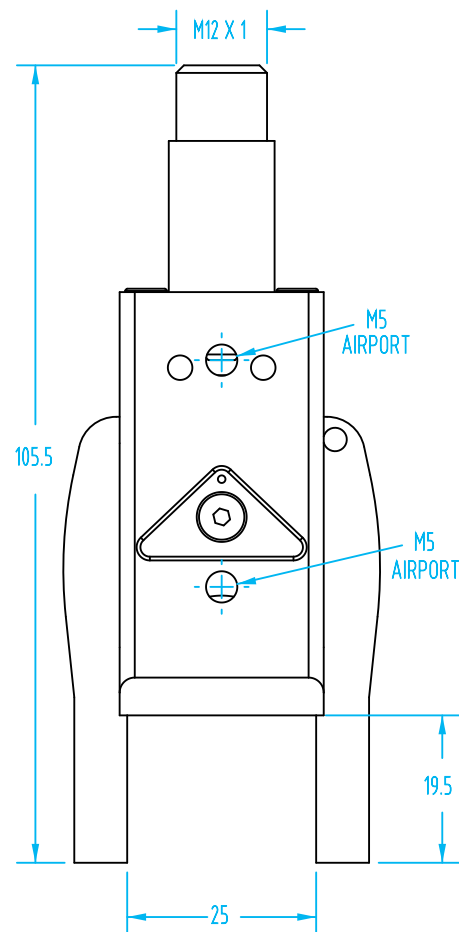
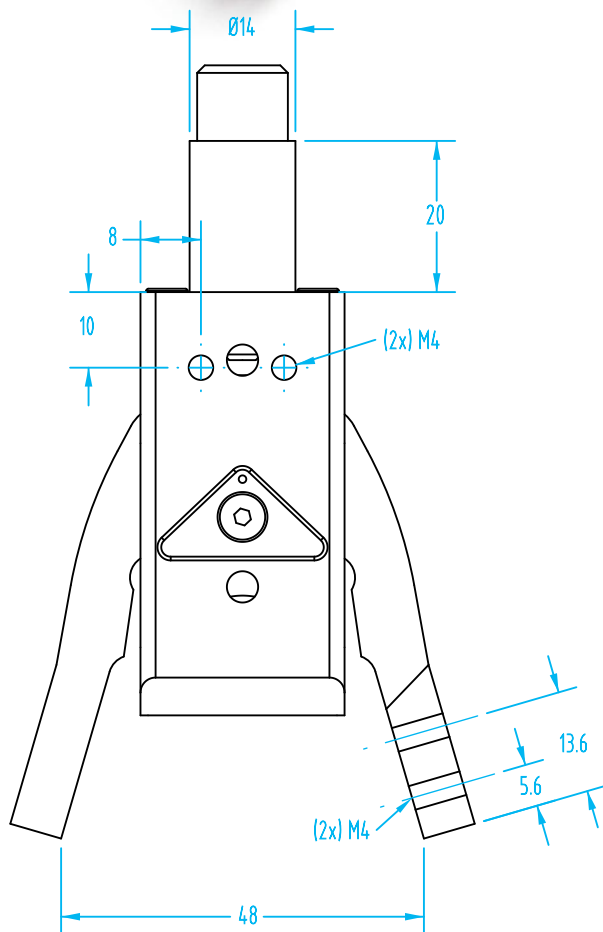
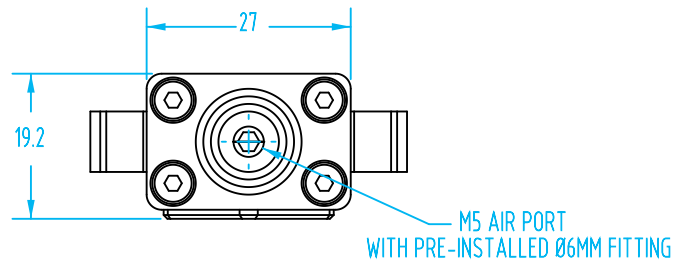
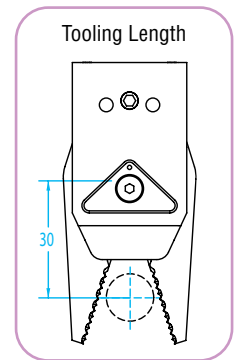
Medium-Body Sensor Finger – GRZ 14

#3741 - Double Acting with custom jaws

- Can be used for ID gripping depending on the application
- Double Acting



Starting 2021 GRZ 14 Grippers will have a push-in Ø6mm fitting installed on the shaft. Visit our website to find current information.



Double Acting GRZ Gripper with custom jaws

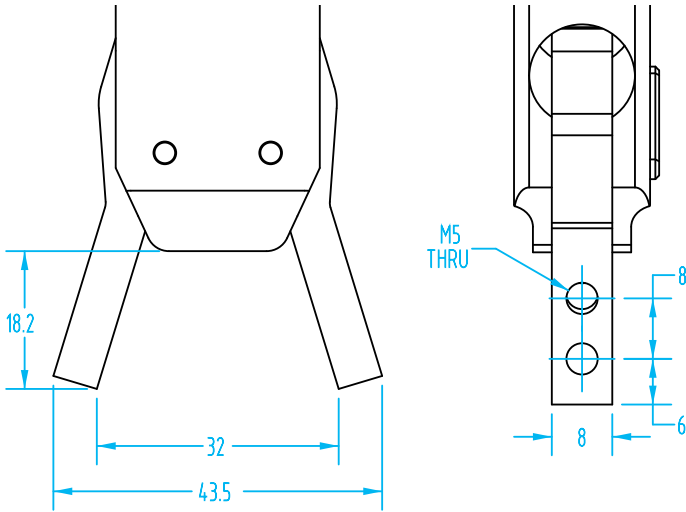
Quick#	Part#	>ASS< #	Price	lbs. Force at 30mm Tooling Length*	Weight
3741	GRZ-14-D-A	1-414-50-00	\$210.00	18.5lbf	82g

*Note: Force at 87psi (6 bar)

Medium-Body Sprue Grippers – GRZ 14

(Dimensioned drawings shown full scale)

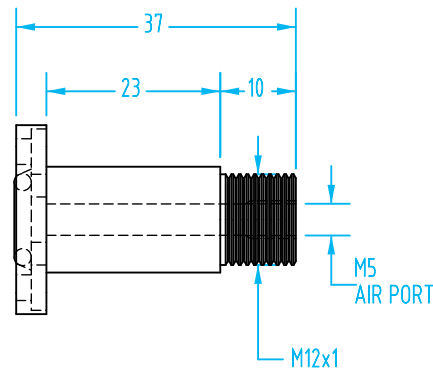
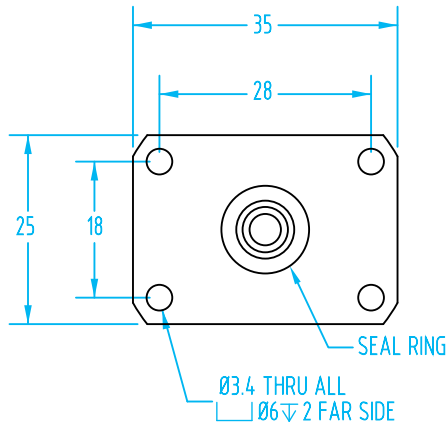
#3716 - Single Acting with custom jaws



Single Acting GRZ Gripper with custom jaws

Quick#	Part#	>ASS< #	Price	lbs. Force at 30mm Tooling Length*	Weight
3716	GRZ-14-A	1-414-09-00	\$183.75	18.5 lbf	65g

*Note: Force at 87psi (6 bar)



Mounting Bracket for GRZ-14 with 20mm Clampable Post

Quick#	Part#	>ASS< #	Wt	Price
NEW 3494	AD-14-GRZ-20-U	1-417-07-00	22g	\$228.90

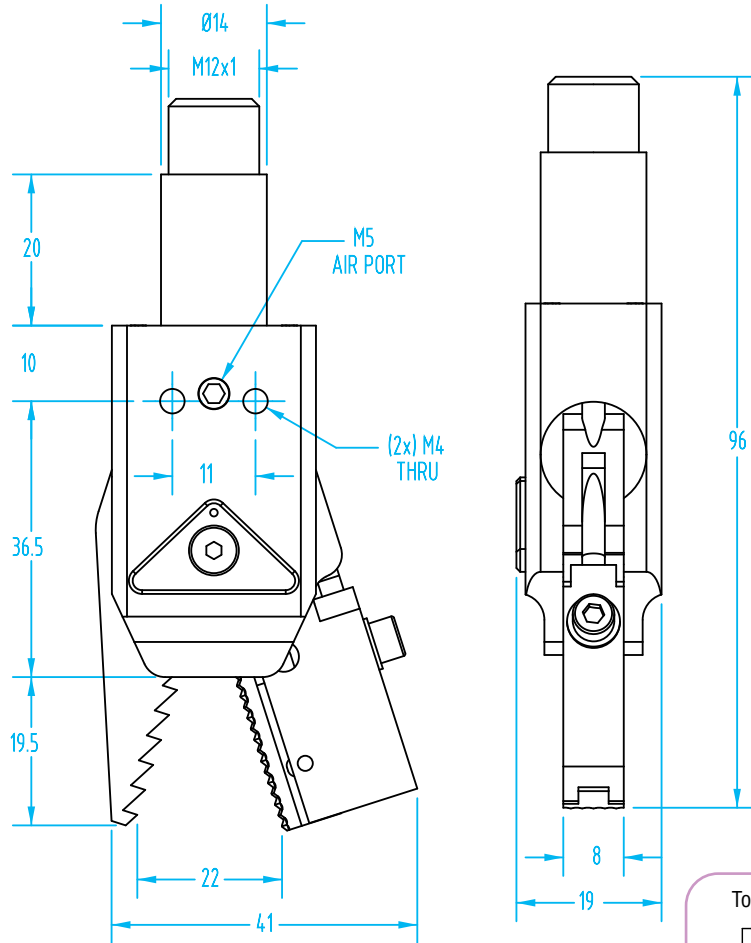
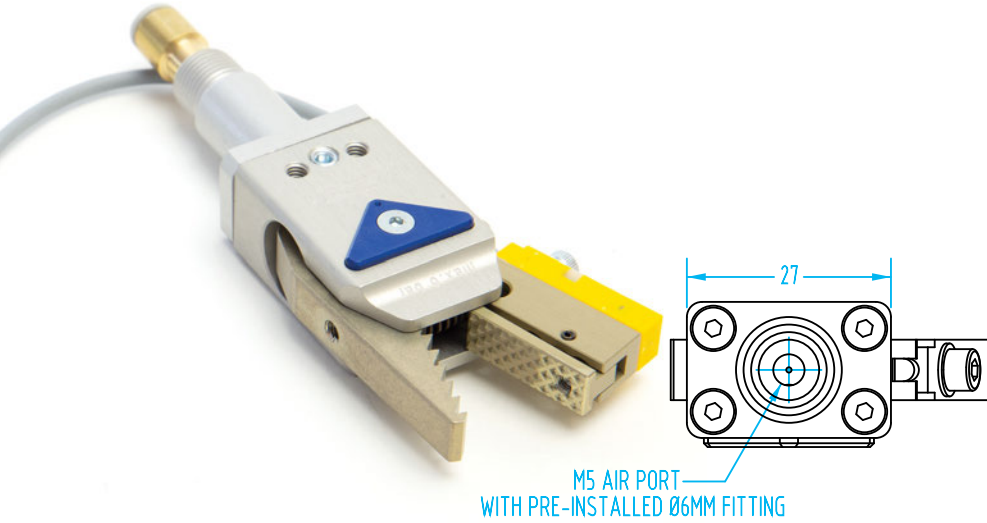
Includes hardware.



Medium-Body Sensor Finger – GRZ 14

(Dimensioned drawings shown full scale)

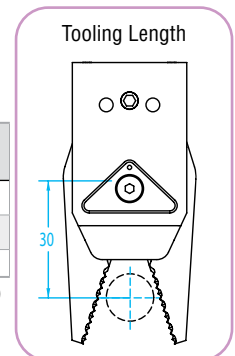
#3714 / #3715 - with saw jaws & sensor



Quick#	Part#	>ASS< #	Price	Style	lbs. Force at 30mm Tooling Length*	Applicable Sprue Ø	Wt.
3714	GRZ-14-SCS-PNP	1-414-42-00	\$269.85	Saw Jaw - PNP	18.5lbf	4-12mm	76g
3715	GRZ-14-SCS-NPN	1-414-44-00	\$269.85	Saw Jaw - NPN	18.5lbf	4-12mm	76g

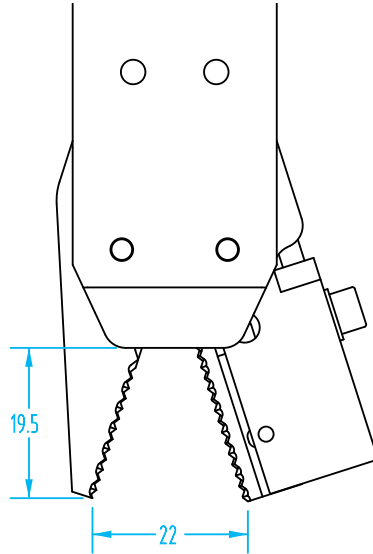
Includes sensor with M8 plug and a 6' KG 8-3 extension cable.

**Note: Force at 87psi (6 bar)*



Medium-Body Sprue Grippers – GRZ 14

#3711 / #3712 - with diamond textured jaws & sensor



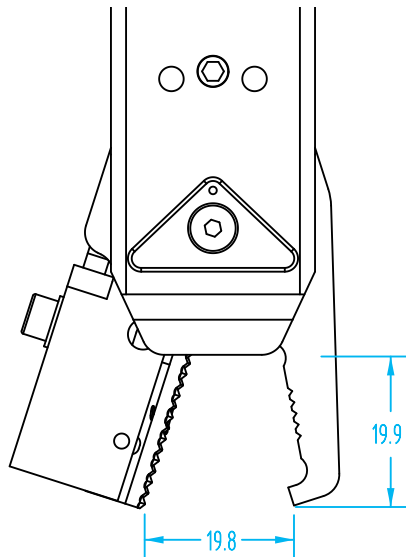
Quick#	Part#	>ASS< #	Price	Style	lbs. Force at 30mm Tooling Length*	Applicable Sprue Ø	Wt.
3711	GRZ-14-RCS-PNP	1-414-20-00	\$269.85	Diamond Texture Jaw - PNP	18.5lbf	4–12mm	76g
3712	GRZ-14-RCS-NPN	1-414-21-00	\$269.85	Diamond Texture Jaw - NPN	18.5lbf	4–12mm	76g

Includes sensor with M8 plug and a 6' KG 8-3 extension cable.

**Note: Force at 87psi (6 bar)*

#3742/ 3743 - with parrot style contoured jaws and sensor

- Contour jaws for round and half-round pieces, e.g. cold runner



Quick#	Part#	>ASS< #	Price	Style	lbs. Force at 30mm Tooling Length*	Applicable Sprue Ø	Weight
3742	GRZ-14-PS-CS-PNP	1-414-23-00	\$269.85	Parrot Jaw - PNP	18.5lbf	2–12mm	71g
3743	GRZ-14-PS-CS-NPN	1-414-23-01	\$269.85	Parrot Jaw - NPN	18.5lbf	2–12mm	71g

Includes sensor with M8 plug and a 6' KG 8-3 extension cable.

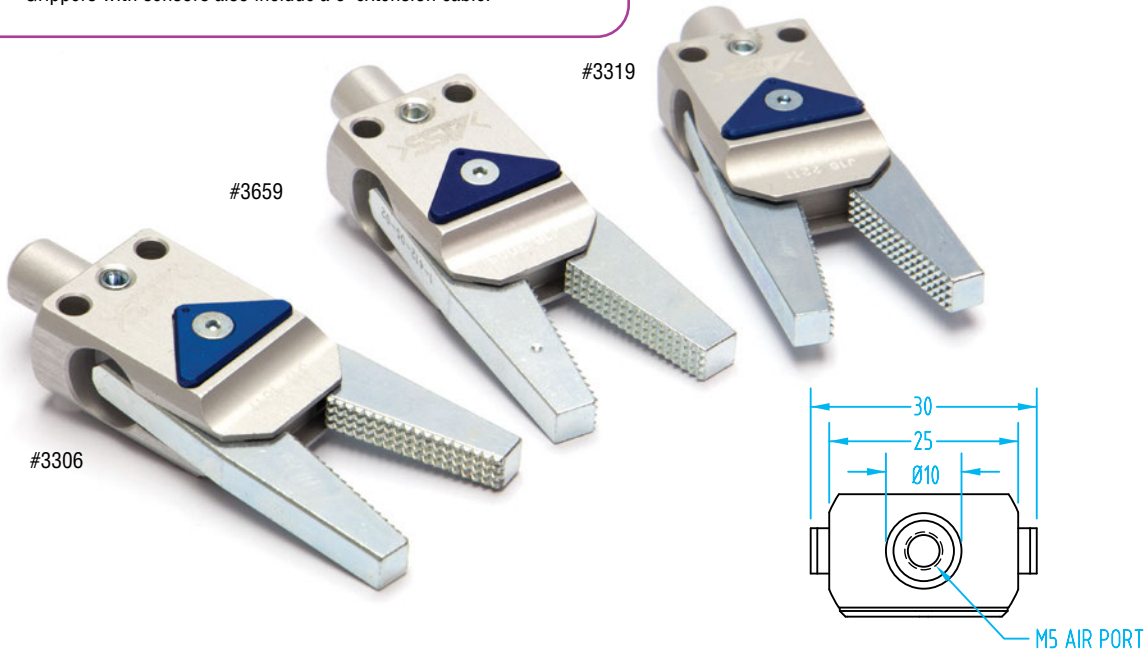
**Note: Force at 87psi (6 bar)*

Mini Sprue Grippers – GRZ 10-12

(Dimensioned drawings shown full scale)

GRZ 10-12 Features:

- Single acting with spring opening.
- Jaws are made of steel, body made of anodized aluminum.
- Many mounting options — Ø10mm clampable body.
- M5 air ports on shaft and side.
- Grippers with sensors also include a 6' extension cable.

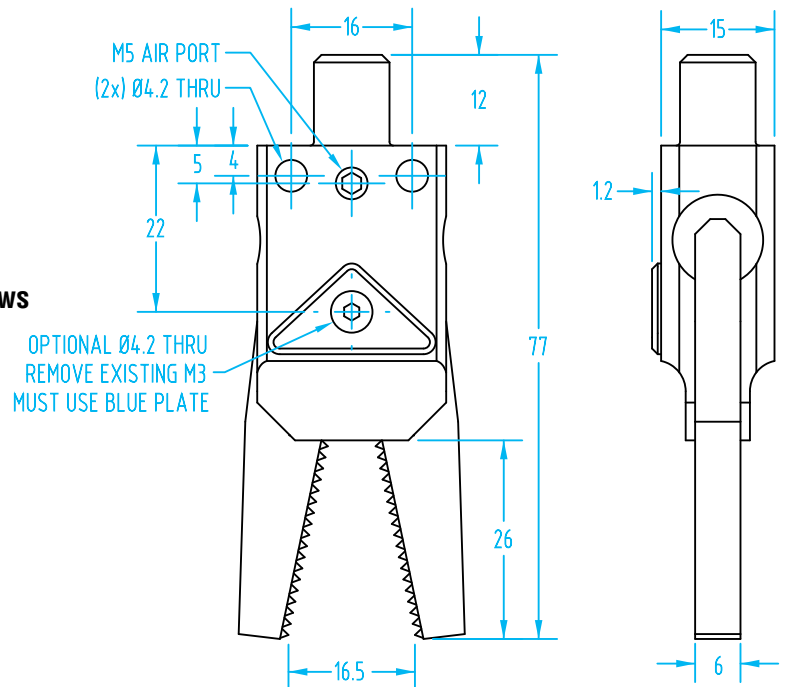


#3306 - With diamond textured jaws

#3659 - With diamond textured, hardened jaws

#3319 - With diamond textured, heat-resistant jaws

- Long term usage up to 302°F air temperature. Higher temperatures have to be tested individually.



Fittings Available on page 1047



Quick#	Part#	>ASS< #	Price	Style	lbs. Force at 25mm Tooling Length*	Applicable Sprue Ø	Wt.
3306	GRZ10-12	1-412-03-00	\$141.23	Diamond textured jaws	11.0 lbf	4–9mm	57.7g
3659	GRZ-10-12-BG	1-412-05-00	\$176.93	Hardened jaws	11.0 lbf	4–9mm	57.7g
3319	GRZ-10-12-R-HT	1-412-66-00	\$174.30	Heat resistant jaws	11.0 lbf	4–9mm	70g

*Note: Force at 87psi (6 bar)

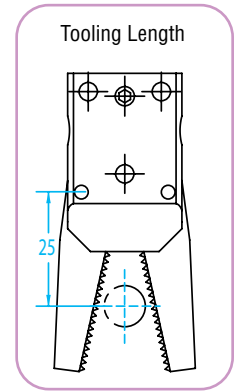
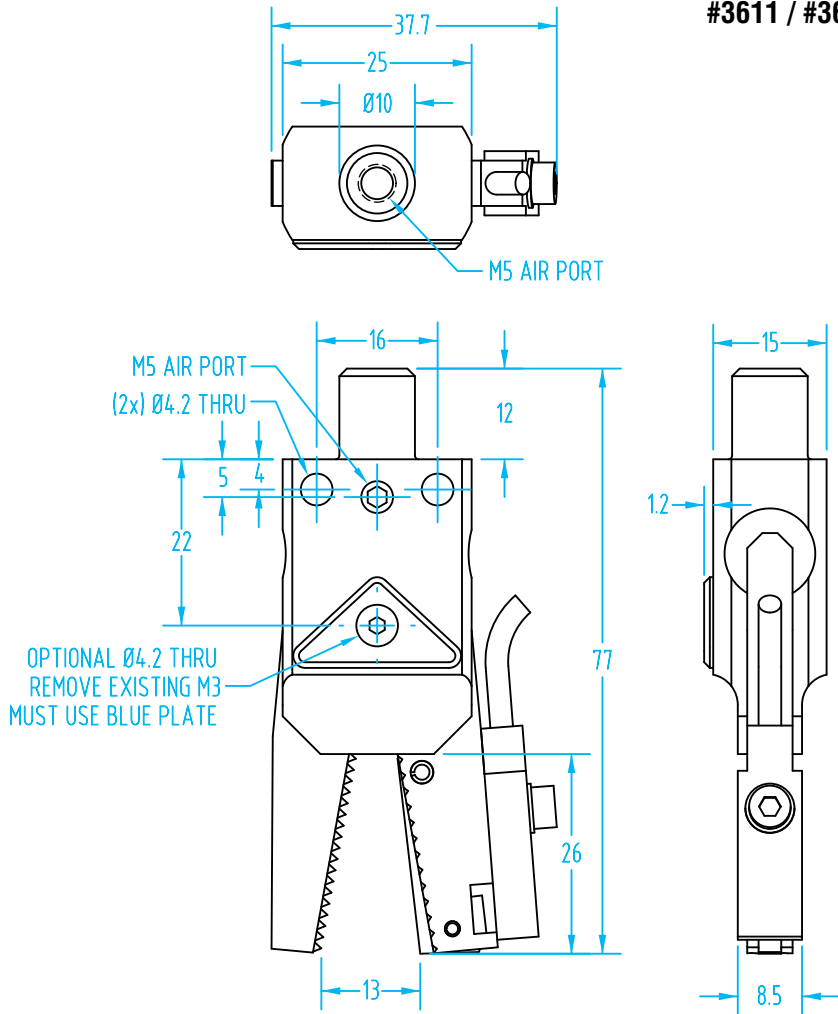
Use Quick#s for easy online ordering.

Mini Sprue Grippers – GRZ 10-12

(Dimensioned drawings shown full scale)

#3611 / #3612 - With diamond textured jaws & sensor

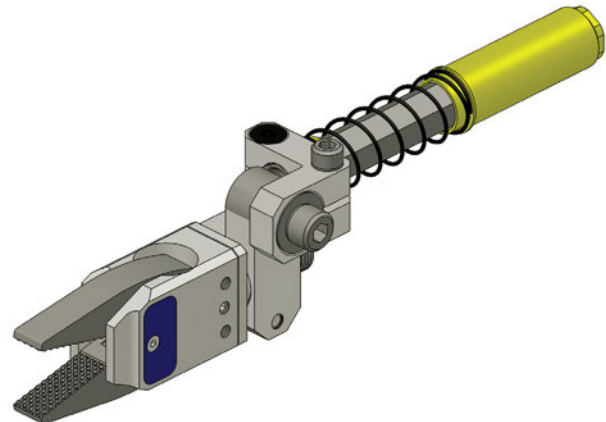
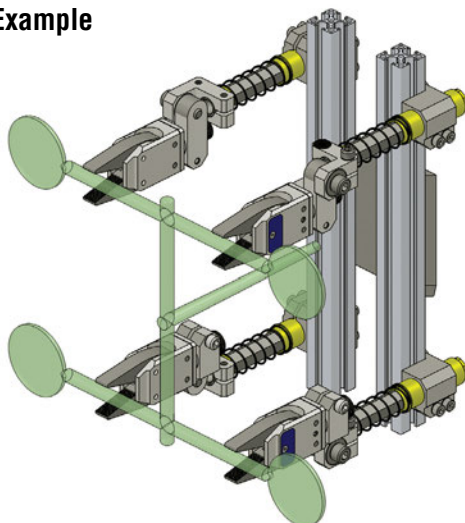
- Grippers with sensors include a 6' extension cable.



Quick#	Part#	>ASS< #	Price	Sensor	lbs. Force at 25mm Tooling Length*	Applicable Sprue Ø	Wt.
3611	GRZ-10-12-CS-PNP	1-412-18-00	\$231.00	PNP	11.0 lbf	3–9mm	63.8g
3612	GRZ-10-12-CS-NPN	1-412-24-00	\$231.00	NPN	11.0 lbf	3–9mm	63.8g

*Note: Force at 87psi (6 bar)

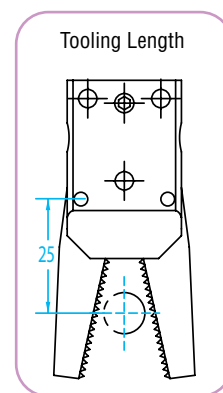
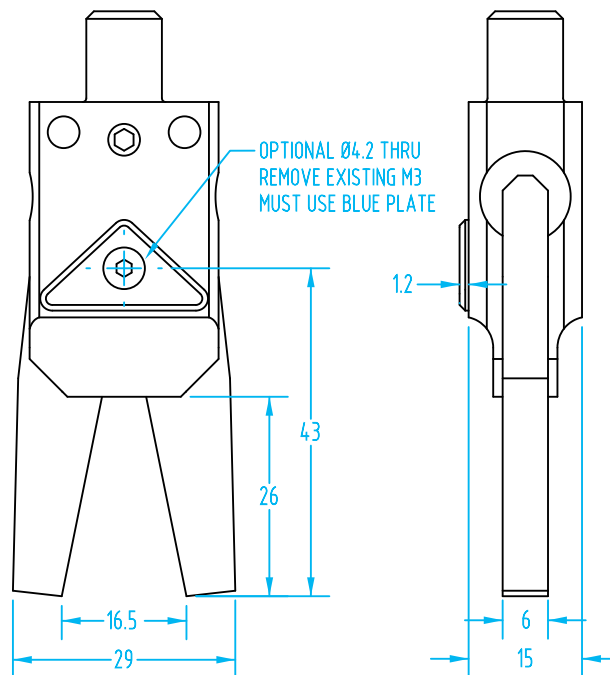
Application Example



Mini Sprue Grippers – GRZ 10-12

See full body dimensions on page 476.
(Dimensioned drawings shown full scale)

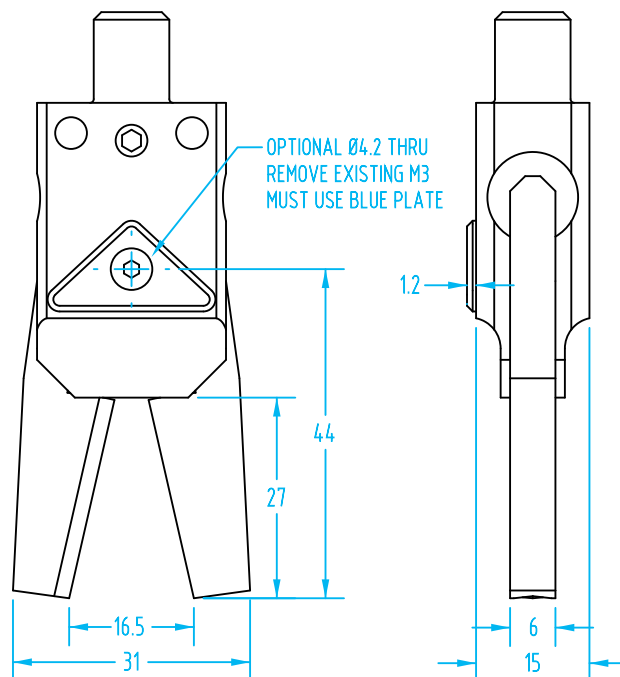
#3655 - With smooth-surface jaws



Quick#	Part#	>ASS< #	Price	lbs. Force at 25mm Tooling Length*	Applicable Sprue Ø	Wt.
3655	GRZ-10-12-G	1-412-60-00	\$160.65	11.0 lbf	2-9mm	57.7g

*Note: Force at 87psi (6 bar)

#3656 / #3657 - With v-groove jaws

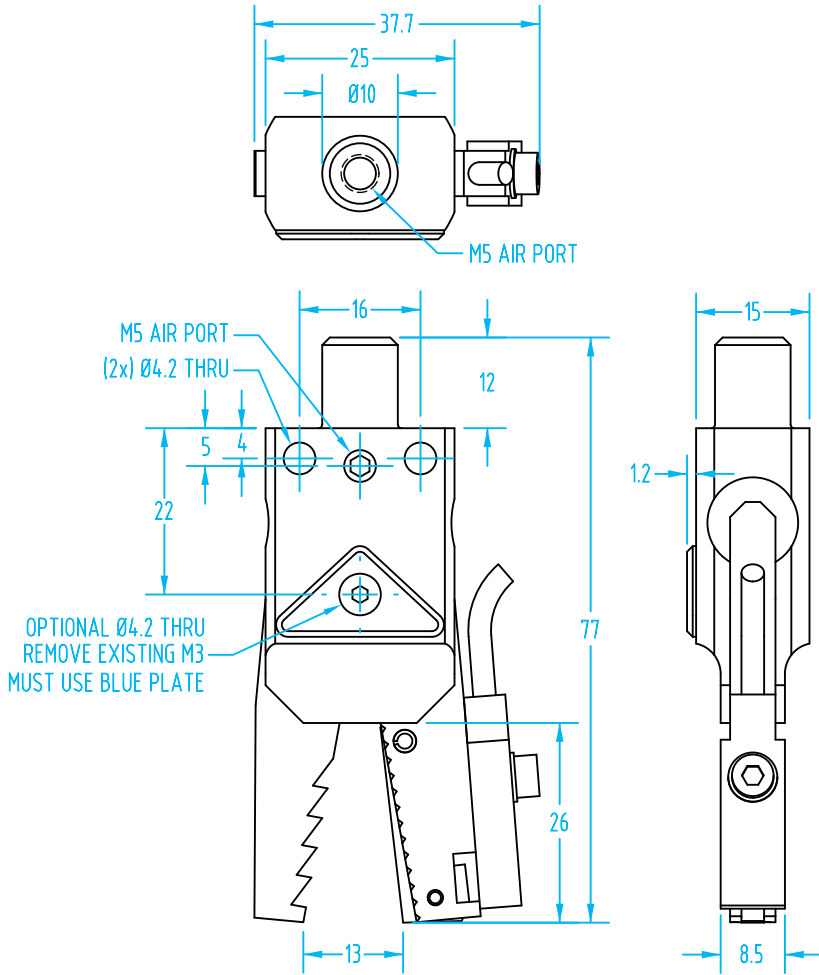


Quick#	Part#	>ASS< #	Price	lbs. Force at 25mm Tooling Length*	Applicable Sprue Ø	Wt.
3656	GRZ-10-12-PK	1-412-12-00	\$160.65	11.0 lbf	2-9mm	53g
3657	GRZ-10-12-KK	1-412-13-00	\$160.65	11.0 lbf	2-9mm	53g

*Note: Force at 87psi (6 bar)

Mini Sprue Grippers – GRZ 10-12

(Dimensioned drawings shown full scale)



#3719 / #3720 - With saw jaw & sensor

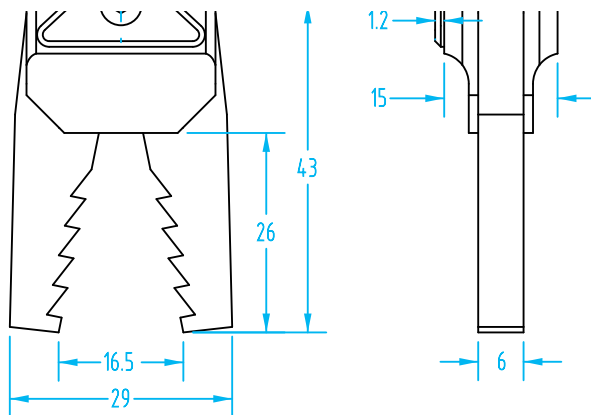
- Grippers with sensors include a 6' extension cable.



Quick#	Part#	>ASS< #	Price	Sensor	lbs. Force at 25mm Tooling Length*	Applicable Sprue Ø	Wt.
3719	GRZ-10-12-SCS-PNP	1-412-37-00	\$241.50	PNP	11.0 lbf	3–9mm	58g
3720	GRZ-10-12-SCS-NPN	1-412-38-00	\$241.50	NPN	11.0 lbf	3–9mm	58g

*Note: Force at 87psi (6 bar)

#3658 - With saw jaws



Quick#	Part#	>ASS< #	Price	lbs. Force at 25mm Tooling Length*	Applicable Sprue Ø	Wt.
3658	GRZ-10-12-S	1-412-35-00	\$160.65	11.0 lbf	4–9mm	39g

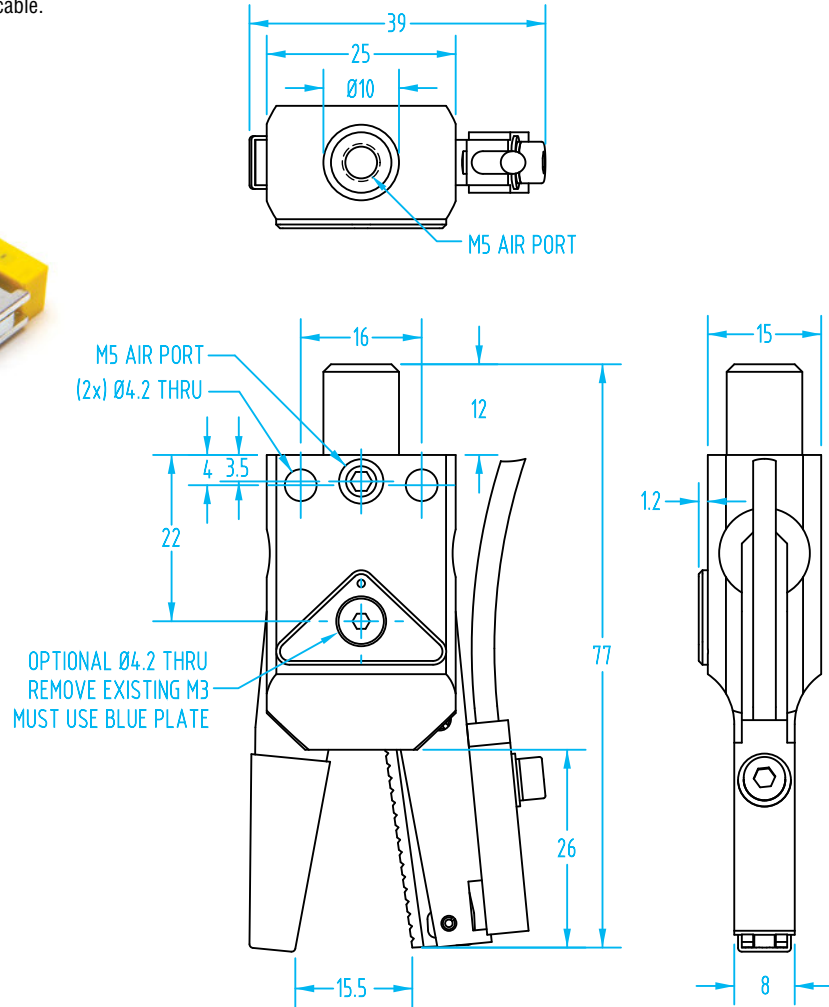
*Note: Force at 87psi (6 bar)

Mini Sprue Grippers – GRZ 10-12

(Dimensioned drawings shown full scale)

#3918, #3919 - with EP coating and sensor

- Silicone free, non-marking coating
- 194°F (266°F short term) max. temperature
- Grippers with sensors include a 6' extension cable.



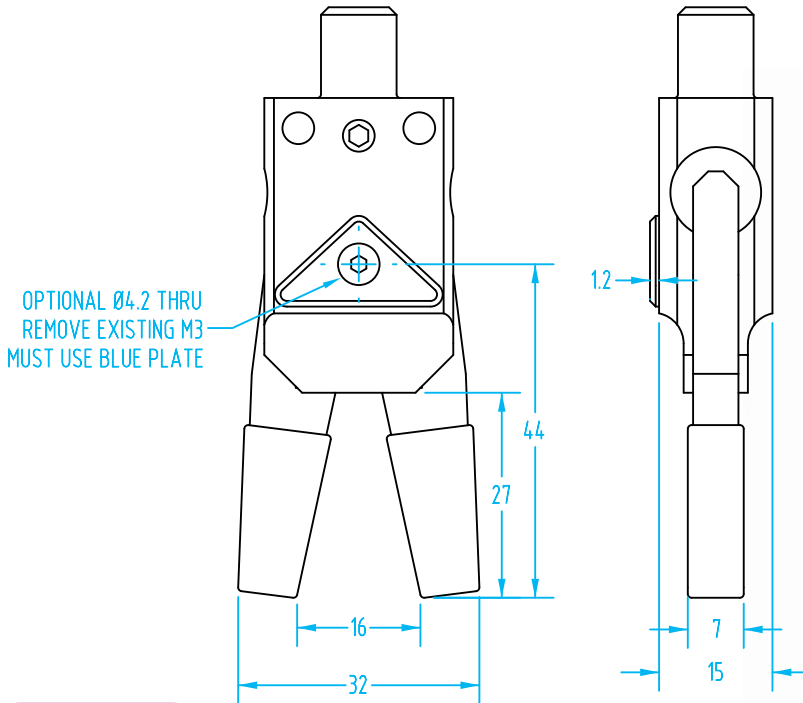
NEW

Quick#	Part#	>ASS< #	Price	lbs. Force at 25mm Tooling Length*	Applicable Sprue Ø	Wt.
3918	GRZ-10-12-CFS-EP-PNP	1-412-22-00	\$285.60	11.0 lbf	2-9mm	65g
3919	GRZ-10-12-CFS-EP-NPN	1-412-27-00	\$285.60	11.0 lbf	2-9mm	65g

*Note: Force at 87psi (6 bar)

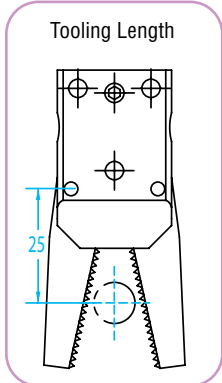
Mini Sprue Grippers – GRZ 10-12

See full body dimensions on page 476.
(Dimensioned drawings shown full scale)



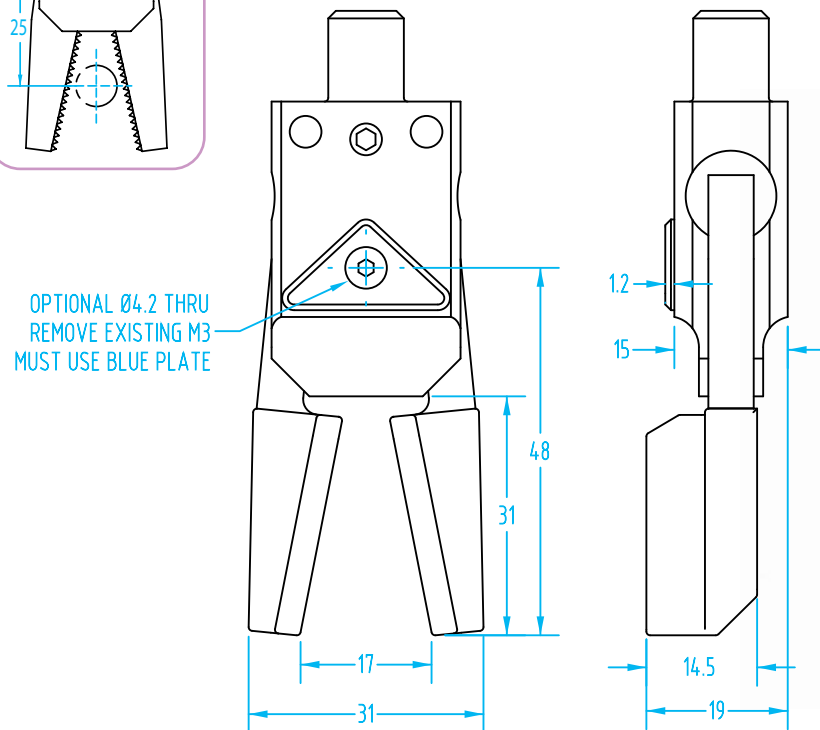
#3722 - With soft touch coated jaws

- Silicone free, non-marking coating
- 194°F (266°F short term) max. temperature



Quick#	Part#	>ASS< #	Price	lbs. Force at 25mm Tooling Length*	Applicable Sprue Ø	Wt.
3722	GRZ-10-12-EP	1-412-65-00	\$243.60	11.0 lbf	2–9mm	57.7g

*Note: Force at 87psi (6 bar)



#3721 - With soft touch coated wide jaws

- Silicone free, non-marking coating
- 194°F (266°F short term) max. temperature



Quick#	Part#	>ASS< #	Price	lbs. Force at 25mm Tooling Length*	Applicable Sprue Ø	Wt.
3721	GRZ-10-12-AH-EP	1-412-39-00	\$252.00	11.0 lbf	2–9mm	72g

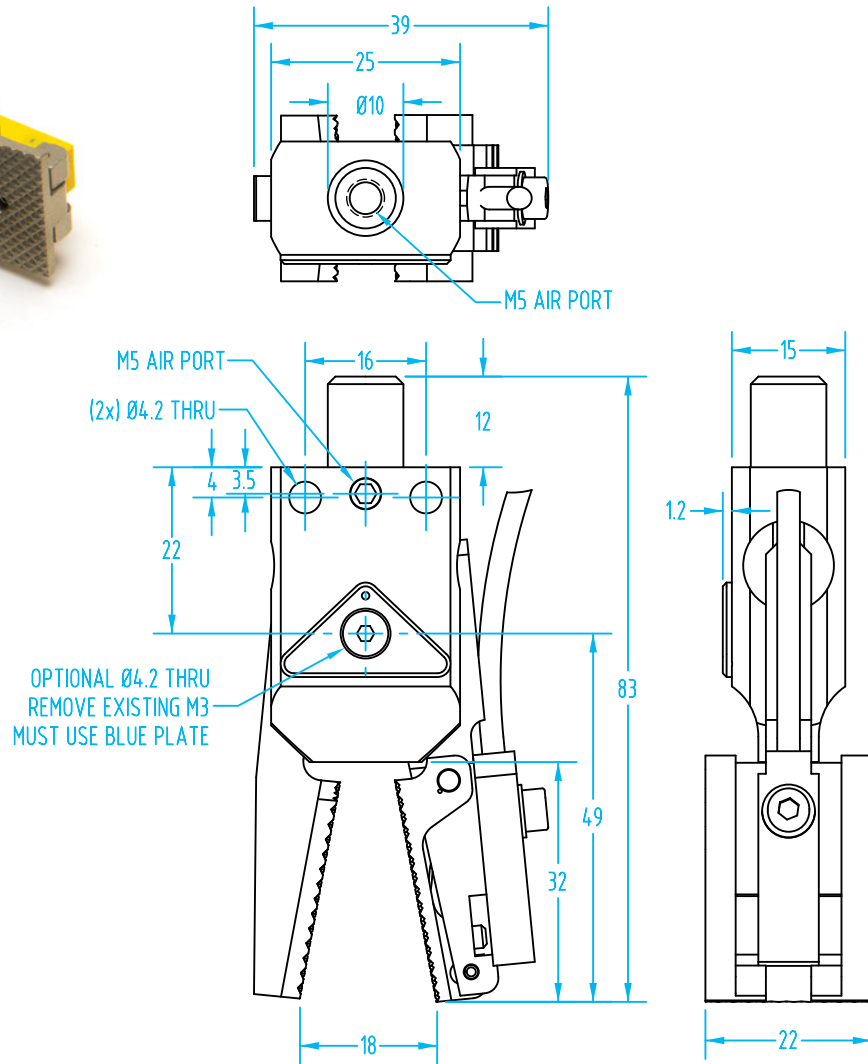
*Note: Force at 87psi (6 bar)

Mini Sprue Grippers – GRZ 10-12

(Dimensioned drawings shown full scale)

#3894 & #3920 - With extra-wide jaws & sensor

- Jaws are made of zinc-plated steel with a checkered surface.
- Grippers with sensors include a 6' extension cable.



NEW

Quick#	Part#	>ASS< #	Price	lbs. Force at 25mm Tooling Length*	Applicable Sprue \varnothing	Wt.
3894	GRZ-10-12-RB-CS-PNP	1-412-43-00	\$229.43	11.0 lbf	2-9mm	75g
3920	GRZ-10-12-RB-CS-NPN	1-412-44-00	\$229.43	11.0 lbf	2-9mm	75g

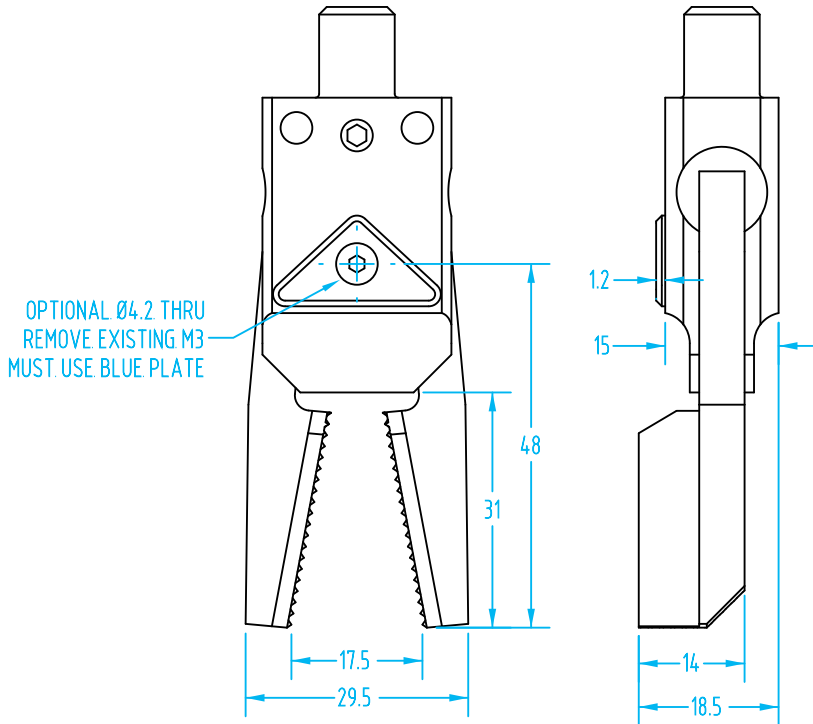
*Note: Force at 87psi (6 bar)

Use Quick#s for easy online ordering.

Mini Sprue Grippers – GRZ 10-12

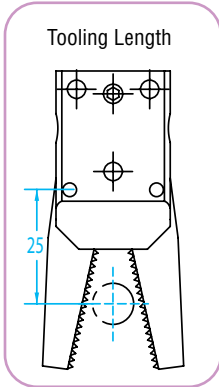
See full body dimensions on page 476.
(Dimensioned drawings shown full scale)

#3661 - With extra-wide jaws



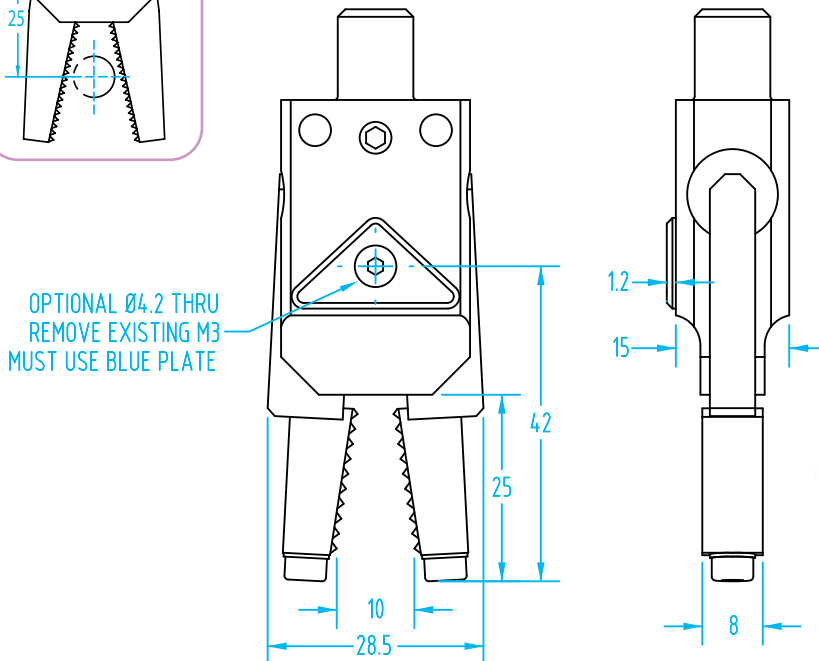
Quick#	Part#	>ASS< #	Price	lbs. Force at 25mm Tooling Length*	Applicable Sprue Ø	Wt.
3661	GRZ-10-12-AH	1-412-34-00	\$160.65	11.0 lbf	1–9mm	43g

*Note: Force at 87psi (6 bar)



#3660 - With swivel jaws

- Designed to grip conical parts or runners.
- Swivel jaws automatically adjust to the shape of the parts/runner.



Quick#	Part#	>ASS< #	Price	lbs. Force at 25mm Tooling Length*	Applicable Sprue Ø	Wt.
3660	GRZ-10-12-DB	1-412-30-00	\$233.10	11.0 lbf	3–9mm	59g

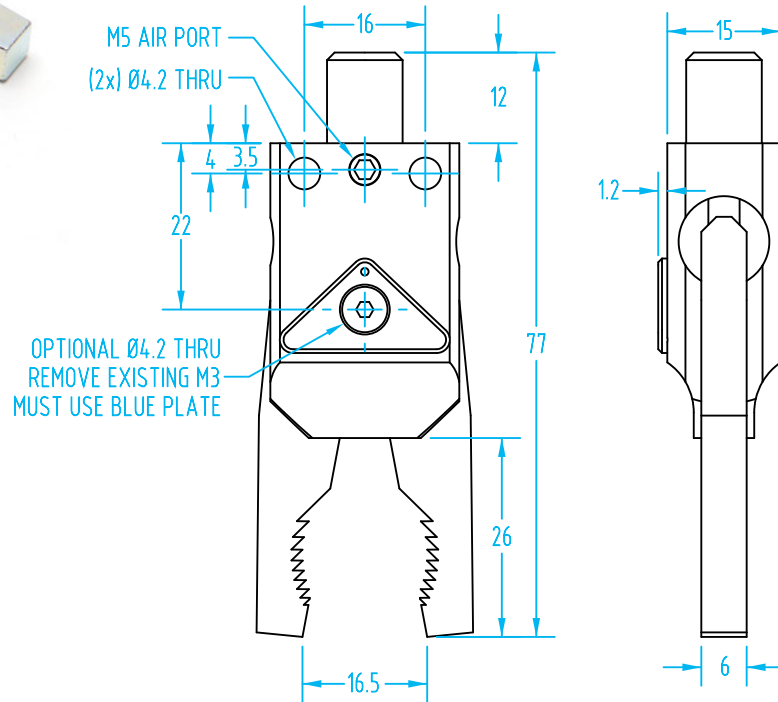
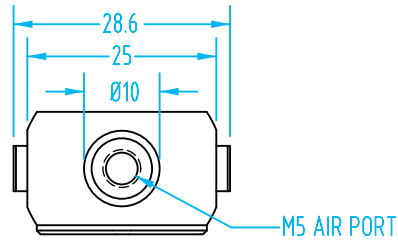
*Note: Force at 87psi (6 bar)

Mini Sprue Grippers – GRZ 10-12

(Dimensioned drawings shown full scale)

#3893 - With chamfer jaws

- This aggressively serrated chamfer design catches a gate or sprue within the GRZ gripper jaws.



NEW

Quick#	Part#	>ASS< #	Price	lbs. Force at 25mm Tooling Length*	Wt.
3893	GRZ-10-12-Z	1-412-46-00	\$160.65	11.0 lbf	58g

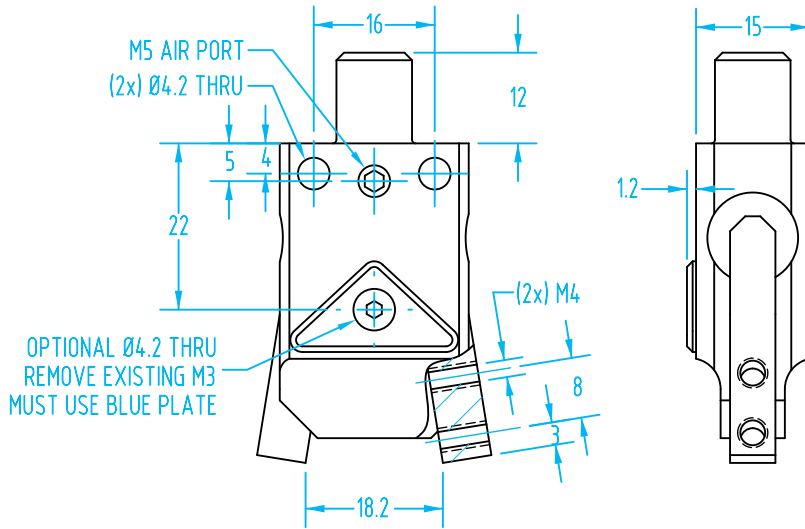
*Note: Force at 87psi (6 bar)

Fittings Available
on page 1047



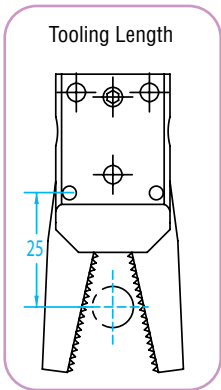
Mini Sprue Grippers – GRZ 10-12

See full body dimensions on page 484.
(Dimensioned drawings shown full scale)



#3662 - For custom-made jaws

- Two M4 tapped holes for each jaw

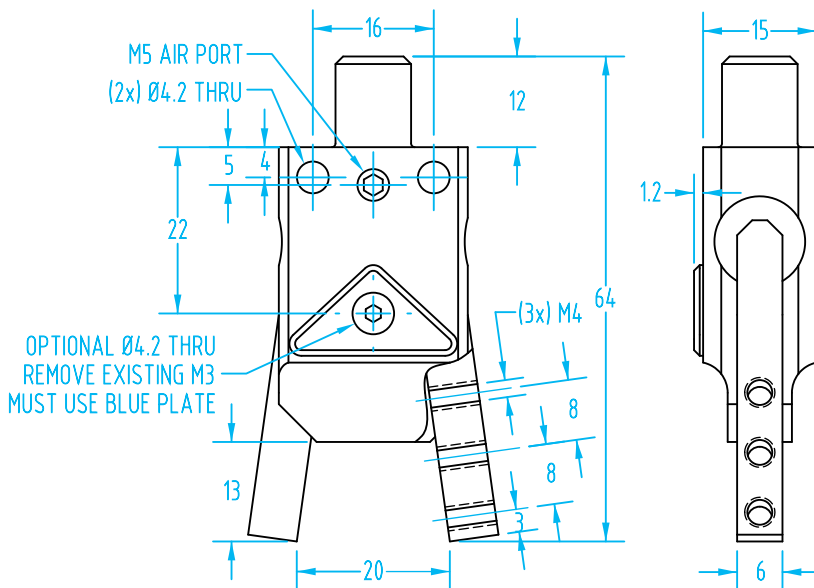


Quick#	Part#	>ASS< #	Price	lbs. Force at 25mm Tooling Length*	Wt.
3662	GRZ-10-12-A	1-412-06-00	\$138.60	11.0 lbf	39g

*Note: Force at 87psi (6 bar)

#3308 - For custom-made jaws

- Three M4 tapped holes for each jaw



Quick#	Part#	>ASS< #	Price	lbs. Force at 25mm Tooling Length*	Wt.
3308	GRZ-10-12-A1	1-412-09-00	\$138.60	11.0 lbf	43g

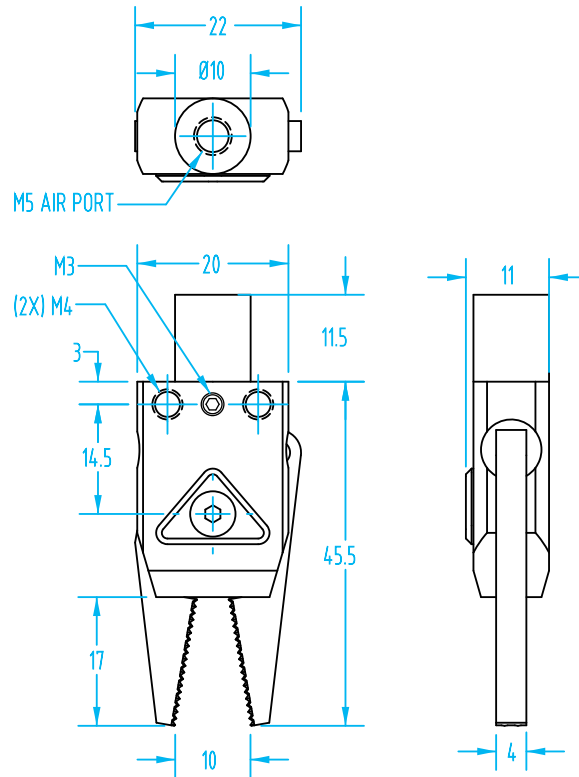
*Note: Force at 87psi (6 bar)

Micro Sprue Grippers – GRZ 10-08

GRZ 10-08 Features:

- Single acting with spring opening.
- Many mounting options — Ø10mm clampable body.
- M5 air ports in shaft and M4 ports on side.
- All grippers include sensors that have a 6 foot long lead (no connector).

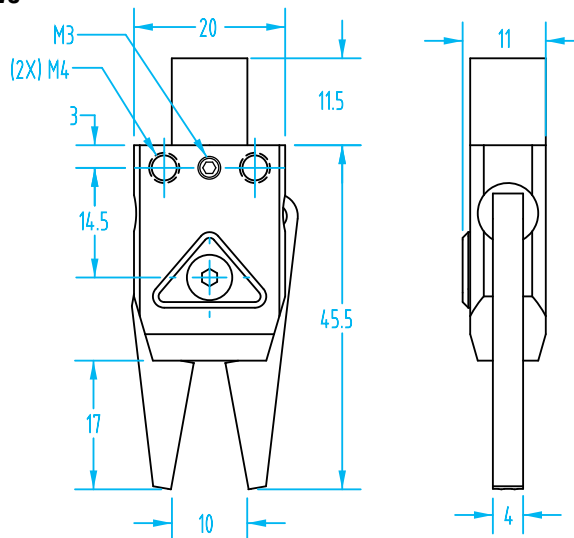
#3654 - Micro gripper with diamond textured jaws



Quick#	Part#	>ASS< #	Price	Style	lbs. Force at 18mm Tooling Length*	Applicable Sprue Ø	Wt.
3654	GRZ-10-08-CM	1-408-14-00	\$124.95	Textured jaws	6.5 lbf	1–6mm	17g

*Note: Force at 87psi (6 bar)

#3726 - Micro gripper with soft touch jaws

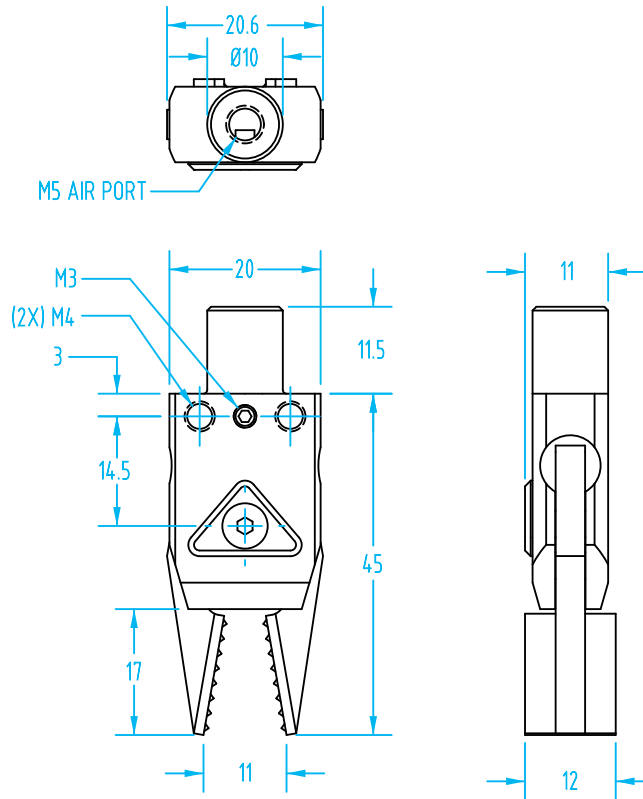


Quick#	Part#	>ASS< #	Price	Style	lbs. Force at 18mm Tooling Length*	Applicable Sprue Ø	Wt.
3726	GRZ-10-08-CMG-EP	1-408-30-00	\$205.80	Coated jaws	6.5 lbf	1–6mm	17g

*Note: Force at 87psi (6 bar)

Micro Sprue Grippers – GRZ 10-08

#3935 - Micro gripper with saw jaws



NEW

Quick#	Part#	>ASS< #	Price	Style	lbs. Force at 18mm Tooling Length*	Applicable Sprue Ø	Wt.
3935	GRZ-10-08-AH	1-408-04-00	\$141.75	Saw Jaws	6.5 lbf	1-6mm	17g

#3679 - Micro gripper sensor bracket



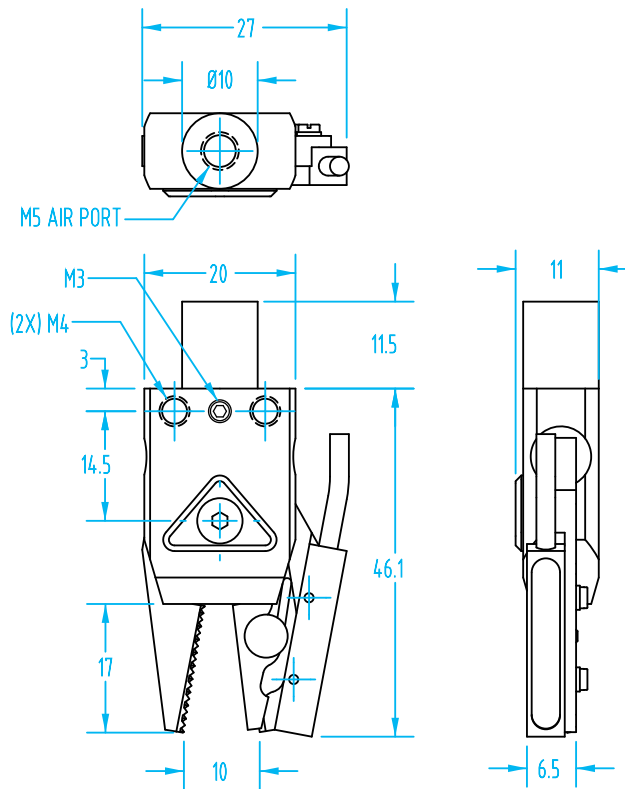
Sensor Bracket for Micro Grippers

Quick#	Part#	>ASS< #	Price	Wt.
3679	SH-GRZ-10-08	1-408-80-00	\$7.88	2g
Order Sensor Separately				
3809	MFS-T2-3-7	1-808-30-00	\$75.21	PNP

Micro Sprue Grippers with Sensor – GRZ 10-08

#3566 / #3567 - Micro gripper with textured jaw and sensor

- An improved trigger mechanism for reliably detecting small parts.



Quick#	Part#	>ASS< #	Price	Style	lbs. Force at 18mm Tooling Length*	Applicable Sprue Ø	Wt.
3566	GRZ-10-08-C-PNP	1-408-25-00	\$177.45	Textured Jaw - PNP sensor	6.5 lbf	1-6mm	49g
3567	GRZ-10-08-C-NPN	1-408-26-00	\$252.00	Textured Jaw - NPN sensor	6.5 lbf	1-6mm	49g

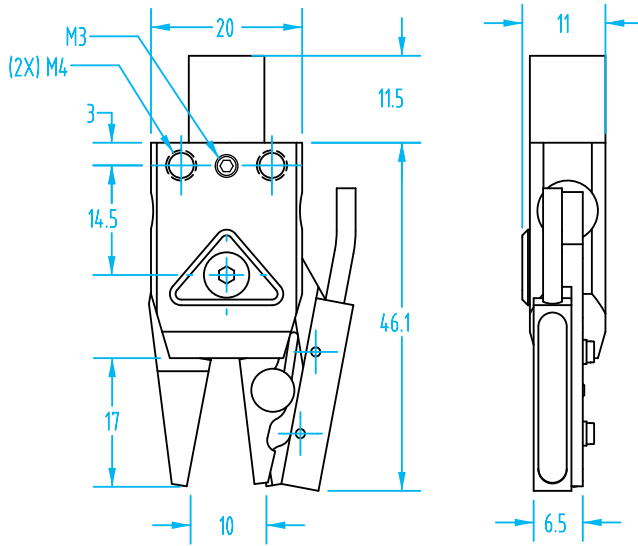
Sensors have 6 foot long cable with no connector.

*Note: Force at 87psi (6 bar)

Micro Sprue Grippers with Sensor – GRZ 10-08

(Dimensioned drawings shown full scale)

#3162 / #3164 - Micro gripper with EP coated jaw and sensor

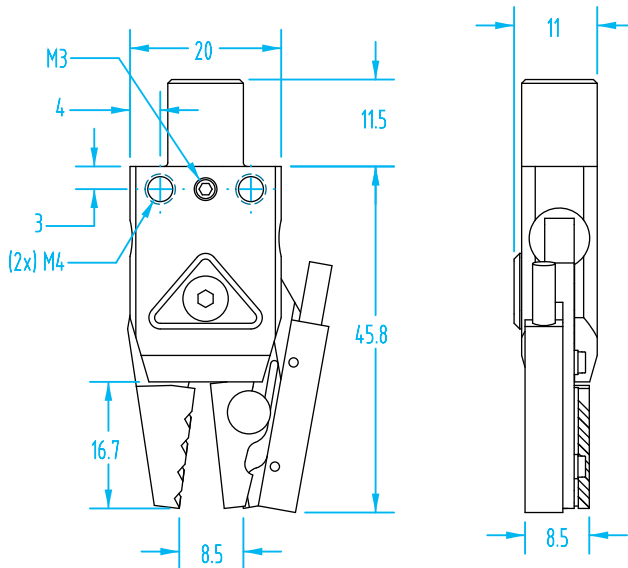


Quick#	Part#	>ASS< #	Price	Style	lbs. Force at 18mm Tooling Length*	Applicable Sprue Ø	Wt.
3162	GRZ-10-08-CF-PNP	1-408-21-00	\$227.85	Coated Jaw - PNP sensor	6.5 lbf	1–6mm	45g
3164	GRZ-10-08-CF-NPN	1-408-22-00	\$227.85	Coated Jaw - NPN sensor	6.5 lbf	1–6mm	45g

Sensors have 6 foot long cable with no connector.

#3317 / #3318 - Micro gripper with radiused jaw and sensor

- Is specifically designed for sensing soft materials.



Quick#	Part#	>ASS< #	Price	Style	lbs. Force at 18mm Tooling Length*	Applicable Sprue Ø	Wt.
3317	GRZ-10-08-C-WK-PNP	1-408-19-00	\$177.45	Radiused Jaw - PNP Sensor	6.5 lbf	1–6mm	50g
3318	GRZ-10-08-C-WK-NPN	1-408-20-00	\$252.00	Radiused Jaw - NPN Sensor	6.5 lbf	1–6mm	50g

Sensors have 6 foot long cable with no connector.

Nano GRZ Sprue Gripper – GRZ 10-06 / GRZ 06-06

(Dimensioned drawings shown full scale)

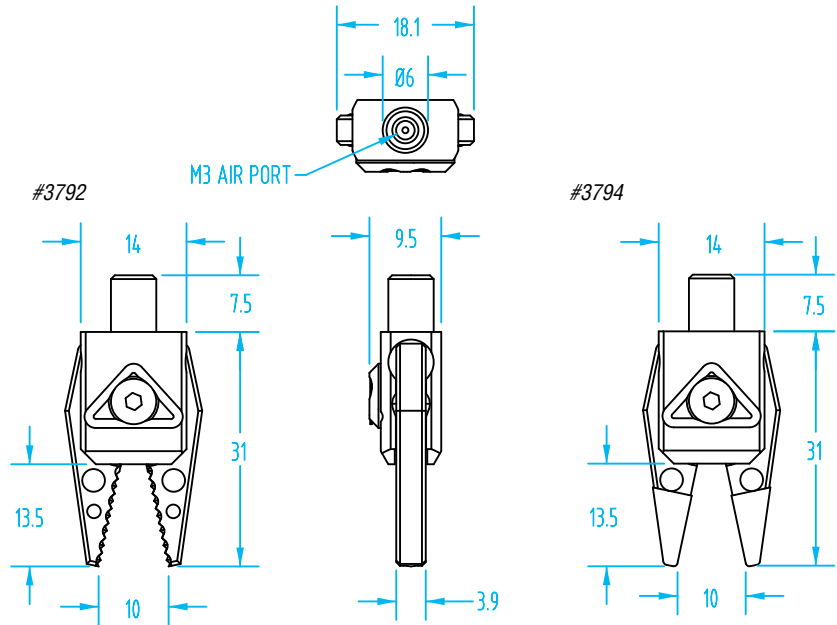
GRZ 06 Features:

- Single acting
- Very lightweight and compact design.
- M3 fittings on page 1047.
- Find Micro Series 6mm framing components on page 222.

#3792 & #3794 – Nano Size Grippers with 6mm Bore, 6mm Stem



NEW



Quick#	Part#	>ASS< #	Jaws	Closing Force*	Price	Wt.
3792	GRZ-06-06	1-406-00-00	Diamond Texture	1.34 lbf	\$91.88	6.5g
3794	GRZ-06-06-EP	1-406-02-00	EP Coated	1.34 lbf	\$151.73	6.5g

*Note: Force at 87psi (6 bar)

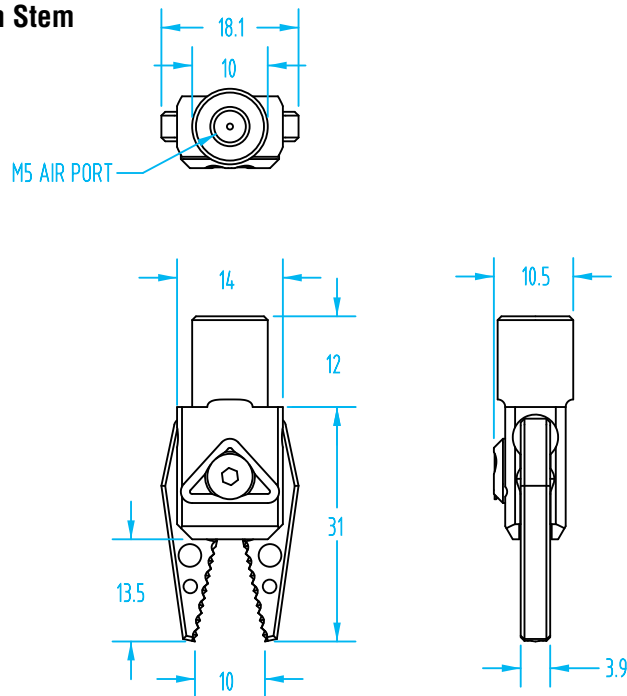
- #3794 with soft EP coating, Shore 60.

#3819 – Nano Gripper with 6mm Bore, 10mm Stem

- #3819 has a 10mm stem for mounting with our 10mm clamps. If a higher closing force is required the #3793 is available.



NEW



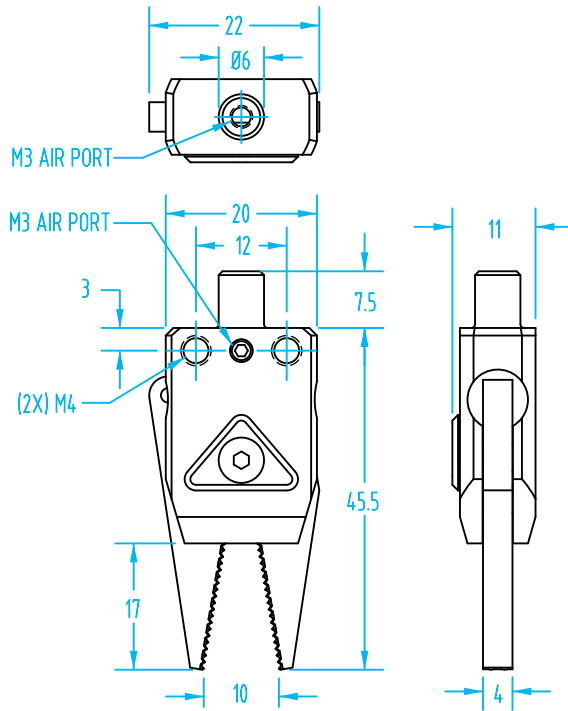
Quick#	Part#	>ASS< #	Closing Force*	Price	Wt.
3819	GRZ-10-06	1-406-01-00	1.34 lbf	\$94.50	8g

*Note: Force at 87psi (6 bar)

Micro GRZ Sprue Gripper – GRZ 10-08

(Dimensioned drawings shown full scale)

#3793 – Micro Size Gripper with 8mm Bore, 6mm Stem



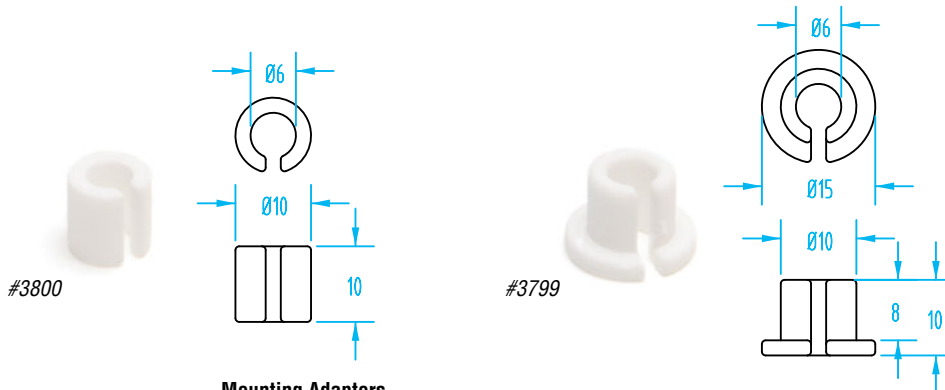
- Very lightweight and compact design.
- Ideal when a higher closing force is required for small EOAT's.
- Optional sensor clamp Quick# 3679 on page 487.



Quick#	Part#	>ASS< #	Price	Closing Force*	Wt.
3793	GRZ-06-08	1-408-01-00	\$111.83	4.27 lbf	15g

*Note: Force at 87psi (6 bar)

Accessories



Mounting Adaptors

Quick#	Part#	>ASS< #	Price	Wt.
3799	RMB-0610-10	1-116-00-16	\$4.73	<1g
3800	ROB-0610-10	1-116-00-17	\$3.68	<1g

Extension for GRZ 10-08 and GRZ 10-12 Grippers

Quick#	Part#	>ASS< #	Price	Wt.
3372	VL-U-25-GRZ-10-08	1-408-70-00	\$24.15	5g

NEW



Compact Sprue Grippers – GRZ 20-16

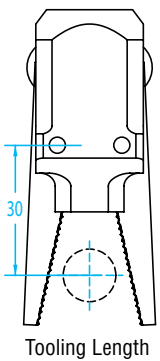
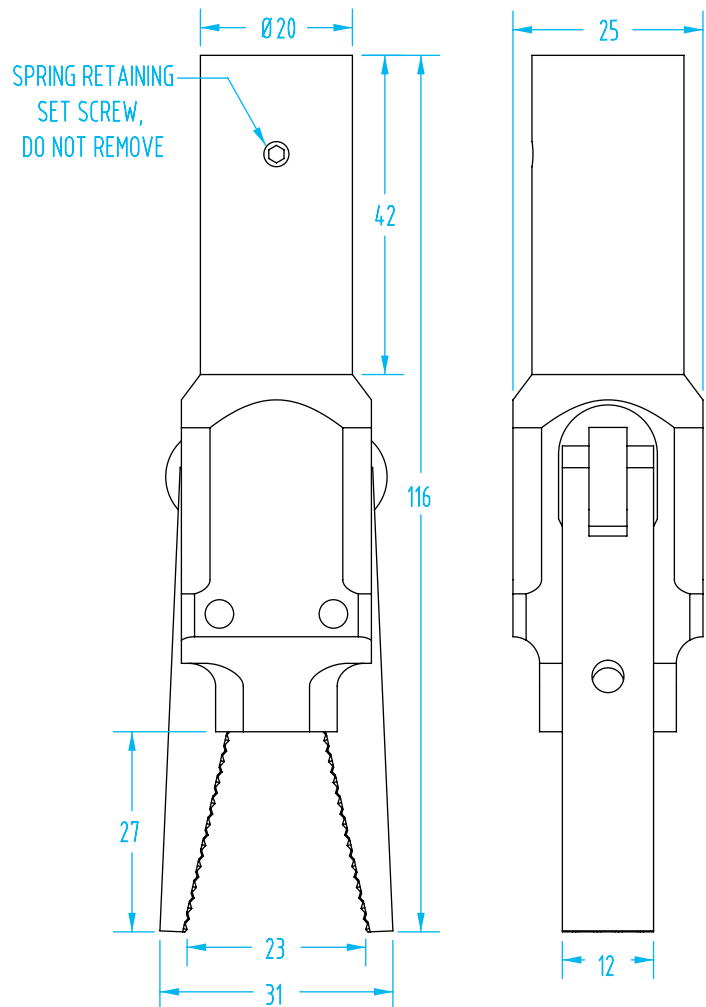
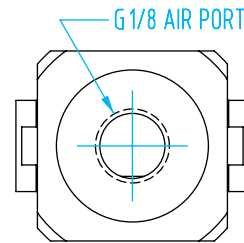
(Dimensioned drawings shown full scale)

GRZ 20-16 Features:

- Single acting with spring opening.
- Lightweight
- Many mounting options — Ø20mm clampable body.
- All have G1/8" air port.

#3528 - With diamond textured jaws

- Jaws are made of hard coated aluminum



Fittings Available on page 1047

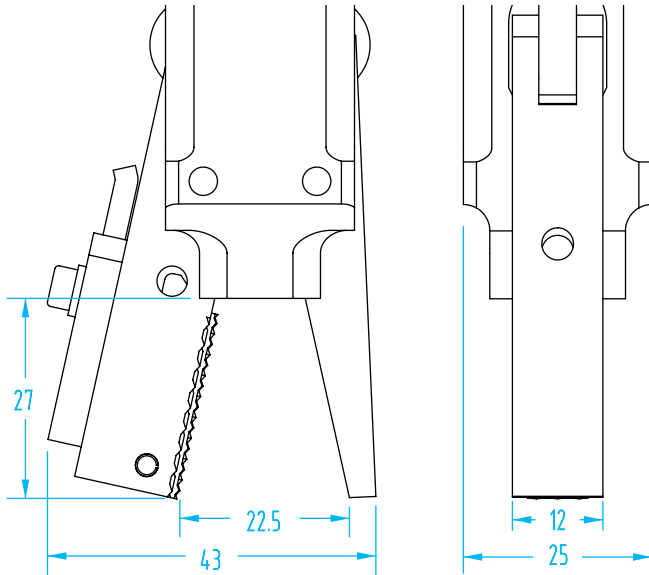


Quick#	Part#	>ASS< #	Price	lbs. Force at 30mm Tooling Length*	Applicable Sprue Ø	Wt.
3528	GRZ20-16R	1-415-06-00	\$209.48	14.6 lbf	2–12mm	96g

*Note: Force at 87psi (6 bar)

Compact Sprue Grippers – GRZ 20-16

#3613 / #3614 – With custom jaw & sensor



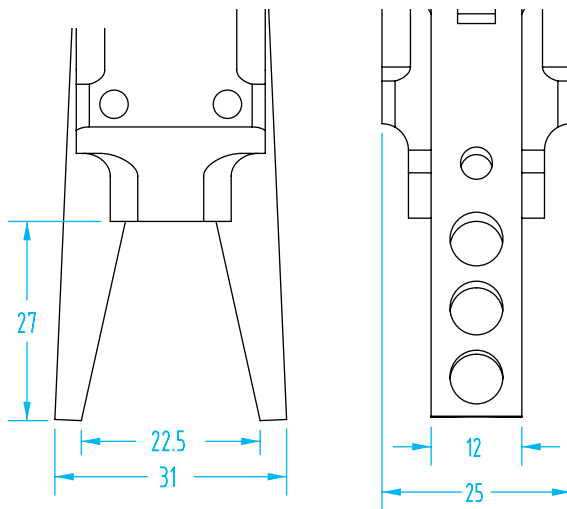
Quick#	Part#	>ASS< #	Price	Sensor	lbs. Force at 30mm Tooling Length*	Applicable Sprue Ø	Wt.
3613	GRZ-20-16-CS-PNP	1-415-18-00	\$281.40	PNP	14.6 lbf	4–12mm	165g
3614	GRZ-20-16-CS-NPN	1-415-24-00	\$281.40	NPN	14.6 lbf	4–12mm	165g

Includes sensor with M8 plug and a 6' KG 8-3 extension cable.

**Note: Force at 87psi (6 bar)*



Use in conjunction with jaw hook on page 499 to improve grip.



#3310 - With custom jaws

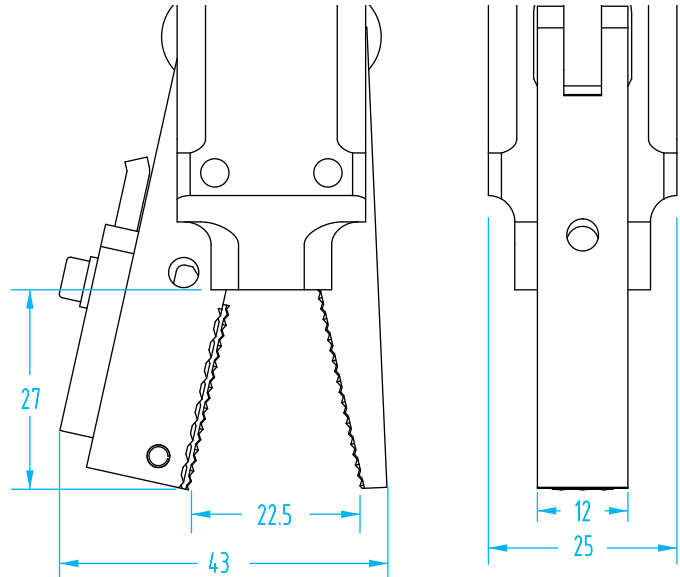
Quick#	Part#	>ASS< #	Price	lbs. Force at 30mm Tooling Length*	Applicable Sprue Ø	Wt.
3310	GRZ20-16	1-415-03-00	\$185.85	14.6 lbf	2–12mm	135g

**Note: Force at 87psi (6 bar)*

Compact Sprue Grippers – GRZ 20-16

(Dimensioned drawings shown full scale)

#3615 / #3617 - With diamond textured jaws and sensor



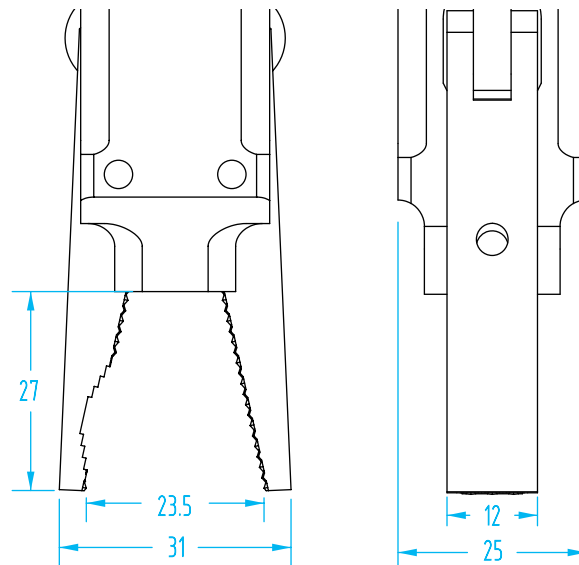
Quick#	Part#	>ASS< #	Price	Sensor	lbs. Force at 30mm Tooling Length*	Applicable Sprue Ø	Wt.
3615	GRZ-20-16-RCS-PNP	1-415-08-00	\$304.50	PNP	14.6 lbf	3–12mm	115g
3617	GRZ-20-16-RCS-NPN	1-415-27-00	\$304.50	NPN	14.6 lbf	3–12mm	115g

Includes sensor with M8 plug and a 6' KG 8-3 extension cable.

*Note: Force at 87psi (6 bar)

#3669 - With radiused jaw

- Part nests in the radiused jaw



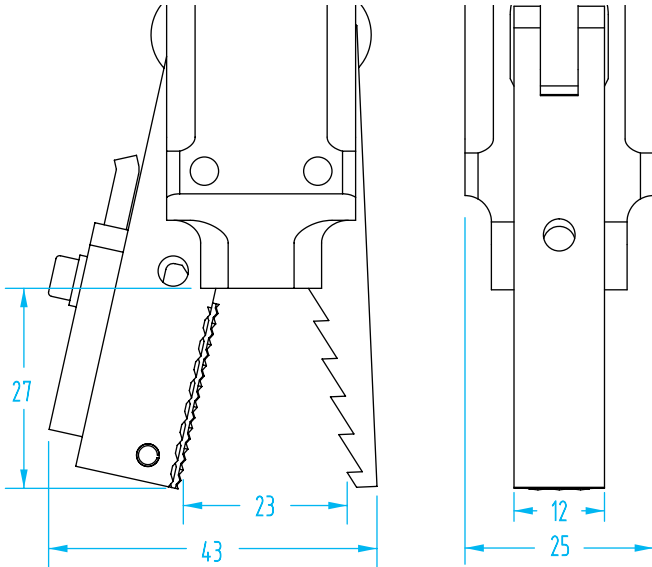
Quick#	Part#	>ASS< #	Price	lbs. Force at 30mm Tooling Length*	Applicable Sprue Ø	Wt.
3669	GRZ-20-16-K	1-415-70-00	\$209.48	14.6 lbf	4–16mm	146g

*Note: Force at 87psi (6 bar)

Compact Sprue Grippers – GRZ 20-16

(Dimensioned drawings shown full scale)

3665 / #3666 - With saw jaws and sensor

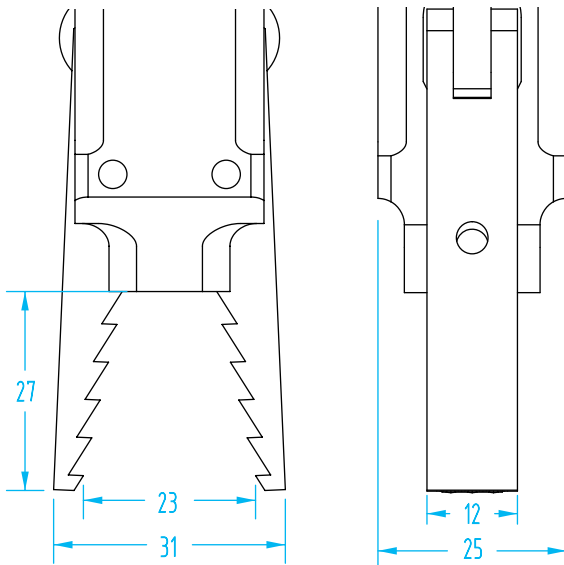


Quick#	Part#	>ASS< #	Price	Sensor	lbs. Force at 30mm Tooling Length*	Applicable Sprue Ø	Wt.
3665	GRZ-20-16-SCS-PNP	1-415-42-00	\$304.50	PNP	14.6 lbf	5–12mm	120g
3666	GRZ-20-16-SCS-NPN	1-415-44-00	\$304.50	NPN	14.6 lbf	5–12mm	120g

Includes sensor with M8 plug and a 6' KG 8-3 extension cable.

*Note: Force at 87psi (6 bar)

#3541 - With saw jaws



Quick#	Part#	>ASS< #	Price	lbs. Force at 30mm Tooling Length*	Applicable Sprue Ø	Wt.
3541	GRZ20-16S	1-415-40-00	\$214.20	14.6 lbf	4–12mm	142g

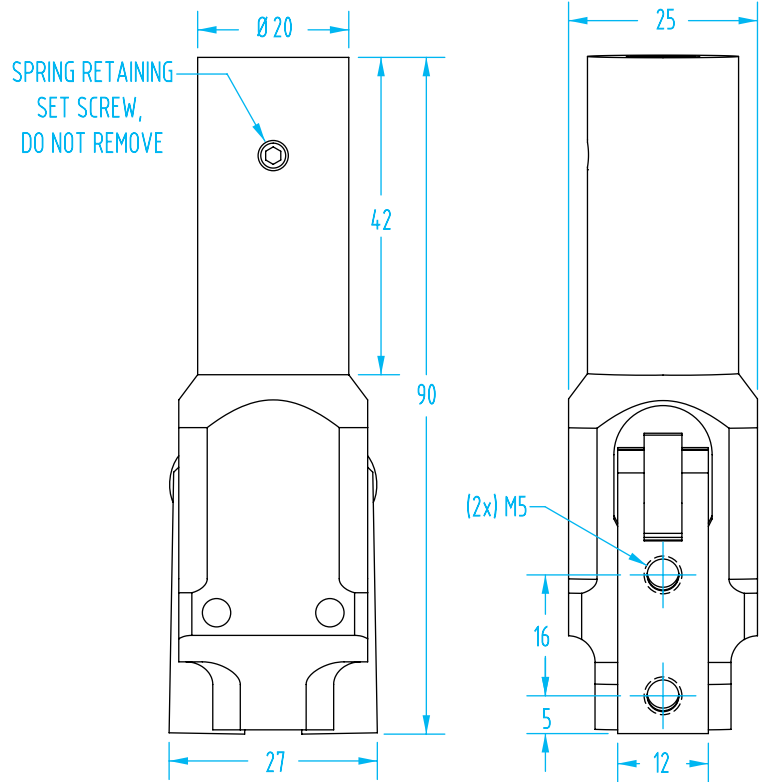
*Note: Force at 87psi (6 bar)

Compact Sprue Grippers – GRZ 20-16

(Dimensioned drawings shown full scale)

#3311 - For custom-made jaws

- Nylon & Aluminum finger blanks available on page 452.



Fittings Available on page 1047

Quick#	Part#	>ASS< #	Price	lbs. Force at 30mm Tooling Length*	Wt.
3311	GRZ20-16A	1-415-09-00	\$182.18	14.6 lbf	119.7g

*Note: Force at 87psi (6 bar)

#3373 - With Booster for High Grip Force

- Single acting gripper with enforced piston.
- See website for more information.



Quick#	Part#	>ASS< #	Price	lbs. Force at 30mm Tooling Length*	Applicable Sprue Ø	Wt.
NEW 3373	GRZ-K-20-16-R	1-416-06-00	\$228.90	26.3 lbf	4–12mm	128g

Compact Sprue Grippers – GRZ 20-16

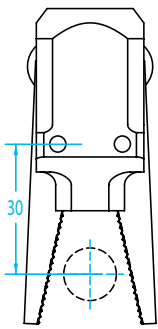
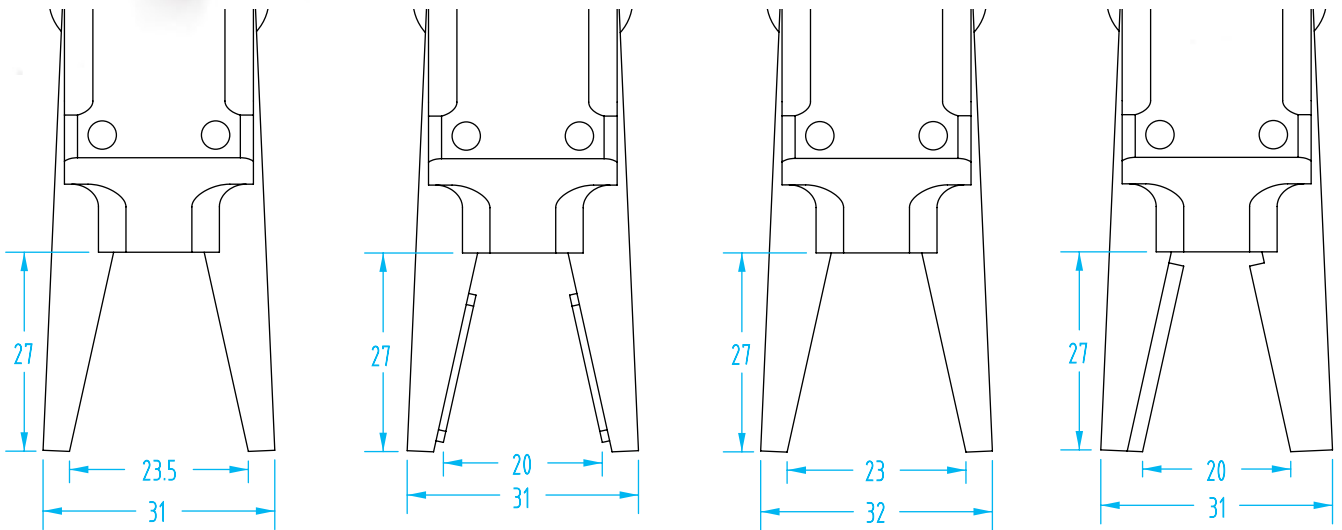
(Dimensioned drawings shown full scale)

#3663 – Smooth jaws

#3667 – Padded jaws

#3727 – Coated jaws

#3664 – V-tooth jaws



Tooling Length

Quick#	Part#	>ASS< #	Price	Style	lbs. Force at 30mm Tooling Length*	Applicable Sprue Ø	Wt.
3663	GRZ-20-16-G	1-415-60-00	\$214.20	Smooth jaws	14.6 lbf	2–12mm	146g
3667	GRZ-20-16-PU	1-415-30-00	\$214.20	Polyurethane pads	14.6 lbf	2–12mm	146g
3727	GRZ-20-16-EP	1-415-61-00	\$288.75	Coated jaws	14.6 lbf	2–12mm	146g
3664	GRZ-20-16-PK	1-415-12-00	\$214.20	V-tooth jaws	14.6 lbf	1–12mm	146g

*Note: Force at 87psi (6 bar)

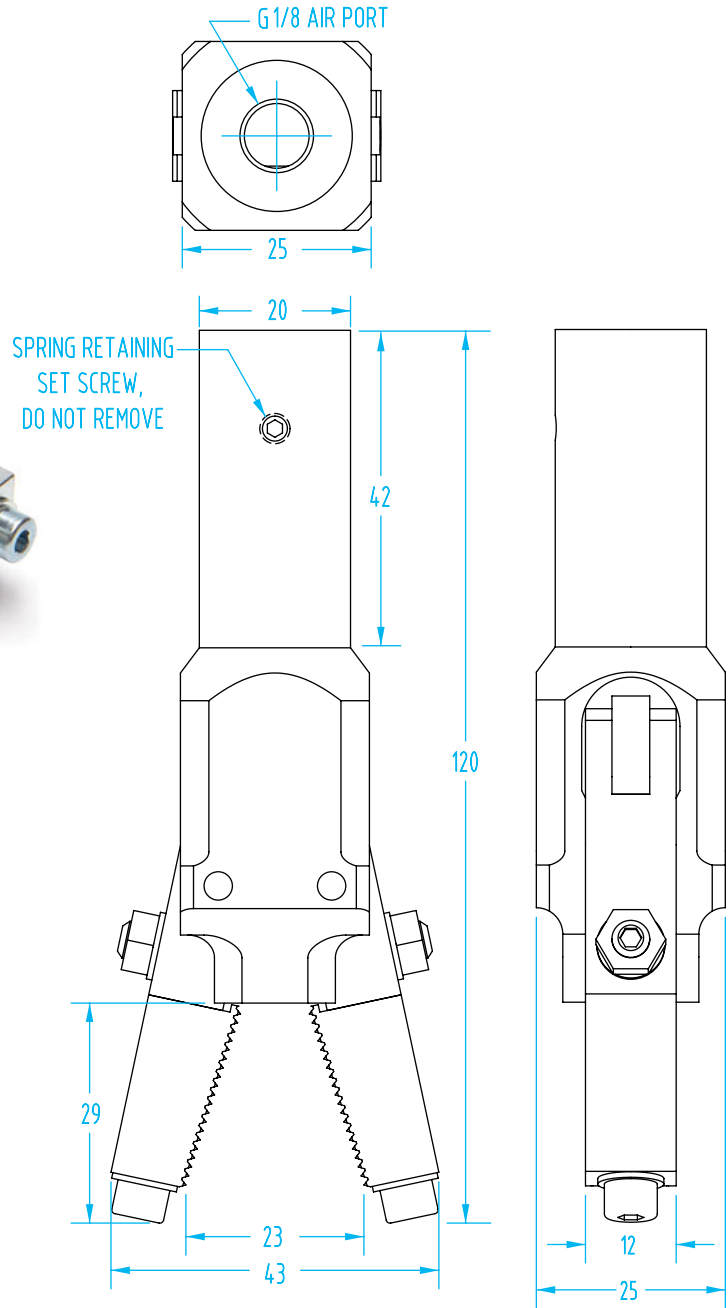
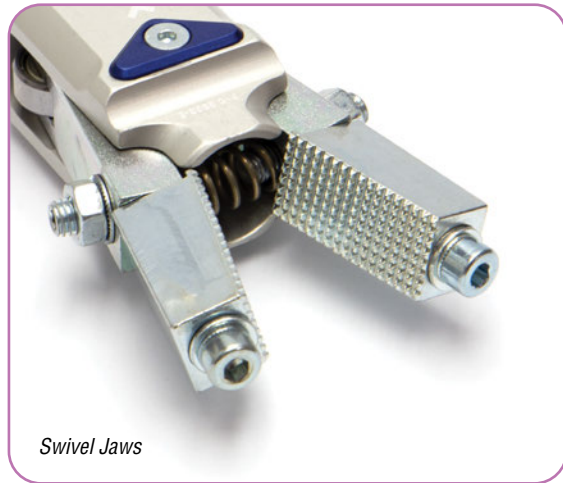
- Padded are silicone free, non-marking polyurethane.
- Short term contact for padded jaws is 230°F.
- Coated jaws have a high strength elastomere polyurethane.
- 194°F (266°F short term) max. temperature for coated jaws.

Compact Sprue Grippers – GRZ 20-16

(Dimensioned drawings shown full scale)

#3668 - With diamond textured swivel jaws

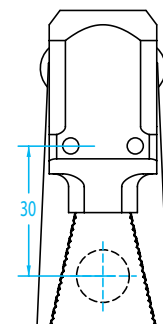
- Designed to grip conical parts or runners.
- Swivel jaws automatically adjust to the shape of the parts/runner.



Quick#	Part#	>ASS< #	Price	lbs. Force at 30mm Tooling Length*	Applicable Sprue Ø	Wt.
3668	GRZ-20-16-DB	1-415-50-00	\$290.33	14.6 lbf	2–12mm	165g

*Note: Force at 87psi (6 bar)

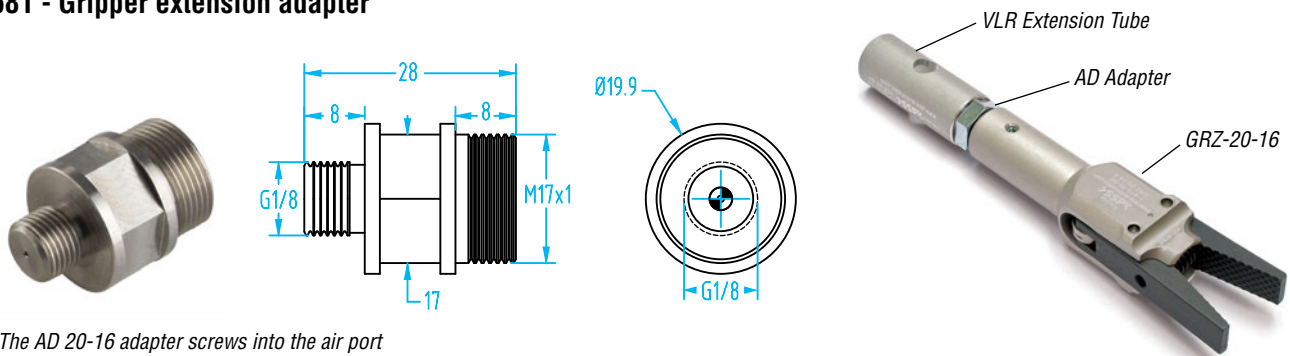
Tooling Length



Compact Sprue Grippers – GRZ 20-16

(Dimensioned drawings shown full scale)

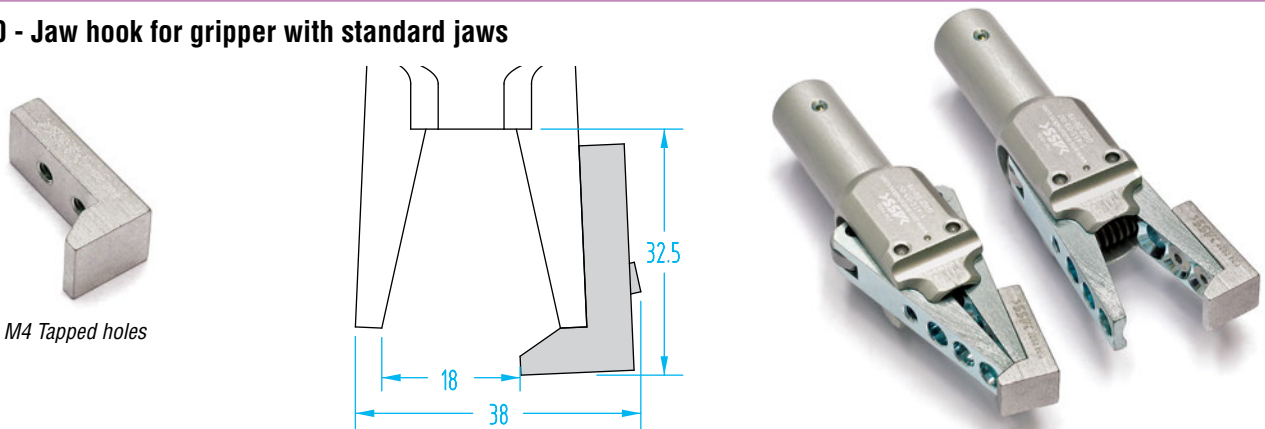
#3681 - Gripper extension adapter



The AD 20-16 adapter screws into the air port of any GRZ 20-16 gripper. The M17x1 thread connects with any VLR 20 extension tube. Manufacturer recommends that the 1/8 thread on the gripper side be sealed with liquid sealant.

Quick#	Part#	>ASS< #	Price	Use with:	Wt.
3681	GRZ-AD-20-16	1-415-03-04	\$8.40	GRZ 20-16	46g

#3680 - Jaw hook for gripper with standard jaws



This gripper jaw hook fits in the GRZ 20-16 gripper with standard jaws for improved rip-off capability. Screws are included.

Quick#	Part#	>ASS< #	Price	Use with:	Wt.
3680	GRZ-20-16-HW	1-415-14-00	\$7.88	#3613, #3614, #3610	21g

#3805 / #3806 - Sensors for GRZ 20-16



Sensor IES 8, 3 pin male plug in PNP or NPN. Extension cable KG 8-3 (6' length) is included.

Quick#	Part#	Price	Type	Signal	Connection	Power Supply	Max. Switching Frequency	Voltage Drop	Operating Temperature	IEC Rating	Cable
3805	IES-8-PNP	\$49.60	3-wire inductive rectangle	PNP	M8 & .16m long	12-30V dc	2000 Hz	1.8V	-22-185°F	IP 67	PUR
3806	IES-8-NPN	\$65.40	3-wire inductive rectangle	NPN	M8 & .16m long	12-30V dc	2000 Hz	1.8V	-22-185°F	IP 67	PUR

Note: >ASS<GRZ 10-08 sprue grippers use IE-AL-K... sensors, see page 1005

Jumbo Grippers – GRZ 32



- Double acting, two airlines are required for open/close.
- Fits in all 20mm clamps
- Very-high gripping force
- Dimensional drawings available online.

Quick#	Part#	>ASS< #	Price	Style	Applicable Sprue Ø	lbs. Force at 25mm Tooling Length*	Weight
3313	GRZ-32	1-420-03-00	\$327.60	Jumbo Gripper without sensor	1–8mm	79.0 lbf	620g
3618	GRZ-32-CS-PNP	1-420-09-00	\$513.98	Jumbo Gripper with PNP sensor ¹	1–8mm	79.0 lbf	665g
3677	GRZ-32-CS-NPN	1-420-08-00	\$513.98	Jumbo Gripper with NPN sensor ¹	1–8mm	79.0 lbf	665g

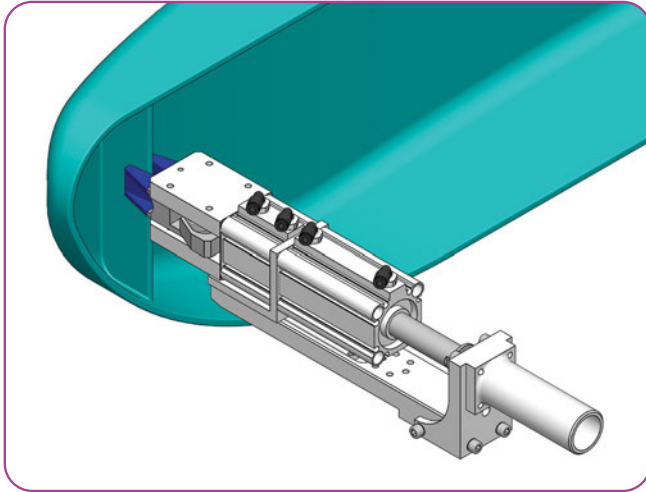
(1) Includes sensor with M8 plug and a 6' KG 8-3 extension cable.

*Note: Force at 87psi (6 bar)

Fittings Available
on page 1047



Self-Adjusting Single Stroke Gripper – HUZ-P

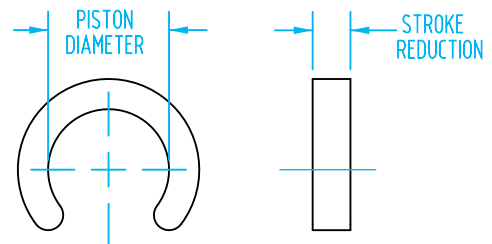


- These HUZ grippers have a built-in single-stroke of 20 or 30mm. They are used to pull a part out of a tool. A pull tab at the part is recommended.
- Single stroke, Double-acting.
- New sliding guides are self-adjusting to compensate any play.
- Three styles; LG: completely closing jaws, CS: jaw sensor with connector, EP: both jaws are EP coated.
- The CS version has a part present PNP sensor built into the jaws. It requires a 8mm 3 pin female connector, see page 987.
- Dimensional drawings available online.
- Self-Adjusting Double Stroke Gripper – HUZ-PD grippers also available online.

Quick#	Part#	>ASS<#	Price	Style	Stroke	Applicable Sprue Ø	Wt.
3769	HUZ-P-32-50-LG	1-743-30-00	\$783.30	-	50mm	12mm	1325g
3770	HUZ-P-32-50-CS	1-739-24-00	\$989.10	with PNP Sensor		12mm	1440g
3771	HUZ-P-32-50-EP	1-743-31-00	\$895.65	EP coated jaws		13mm	1402g



#3770 shown with stroke reducer.



Stroke Reducers for HUZ Cylinders

Quick#	Part#	>ASS<#	Price	Stroke Reduction	Compatible to Compact Cylinder Ø	Ø Piston	Material	Wt.
3758	DB-5-32	1-710-01-00	\$9.45	5mm	32mm	16mm	POM	1g
3759	DB-10-32	1-710-02-00	\$10.50	10mm			POM	2g
3760	DB-15-32	1-710-03-00	\$15.75	15mm			POM/PA	4g

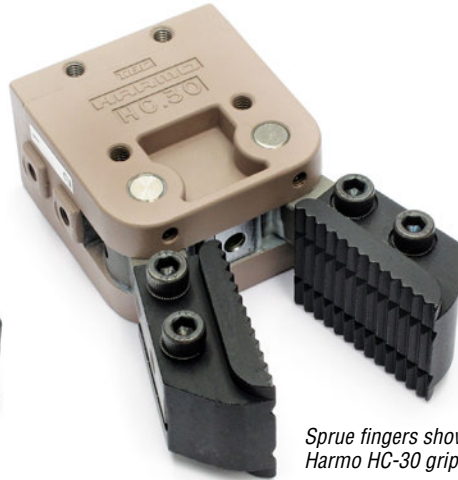
Harmo® Sprue Grippers

- Elliptical piston provides high grip force to size ratio
- Single-acting models can also be used as double acting
- Field repairable, and for those who have older Harmo grippers, we offer rebuild kits.
- Dimensional drawings found online.

Fittings Available
on page 1047



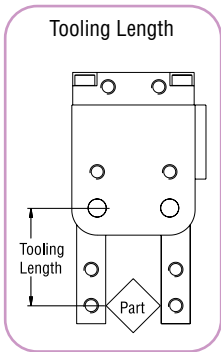

#704



Sprue fingers shown on #767 Harmo HC-30 gripper.



#738 - Sprue fingers sold separately



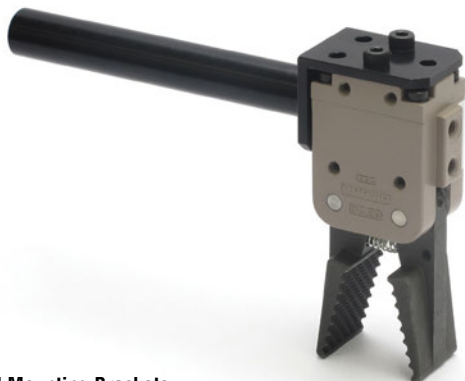
Quick#	Part#	Price	Gripper Size	Jaw Style	Body Material	Applicable Sprue Ø	Force at 35mm Tooling Length*	Weight
704	GSG-HC20-BPX	\$190.00	20	Normally Open	Plastic	4-12mm	13.0 lbf	150g
713	GSG-HC30-CD	\$308.01	30	Normally Closed	Die Cast	58°	34.0 lbf	450g

* Force when compressed air is supplied at 87psi. Tooling length is measured from jaw pivot point.

Sprue Fingers

Quick#	Part#	Gripper Size	Material	Sprue ø	Price / set
1275	GSG-HC30-STF	30	Tool Steel	5-13mm	\$49.15
738	GSG-HC30-F		Aluminum		\$48.15

Includes fasteners.



Round Mounting Brackets

Quick#	Part#	Gripper	Price	Required Hardware
546	GSC-RMB-HC15	15	\$22.87	Q#'s 827 & 815
547	GSC-RMB-HC20	20	\$22.87	Q#'s 846 & 833
548	GSC-RMB-HC30	30	\$24.91	Q#'s 566 & 853

Order gripper mounting screws separately.



Economy Slotted Bracket for Harmo Grippers

Quick#	Part#	Gripper	Price
1850	GSC-VSB-HC15	HC15	\$10.18
1851	GSC-VSB-HC20	HC20	\$10.48

Harmo Angular Grippers

- Elliptical piston provides high grip force to size ratio.
- Internal spring provides reset.
- Field repairable, and for those who have older Harmo grippers, we offer rebuild kits.
- Dimensional drawings found online.



Quick#	Part#	Price	Gripper Size	Jaw Style	Body Material	lbs. Force at Tooling Length:*			Weight
						20mm	25mm	35mm	
706	GSG-HC15-BP	\$160.00	15	Normally Open	Plastic	7.0 lbf	6.0 lbf	4.0 lbf	50g
707	GSG-HC20-BP	\$176.00	20	Normally Open	Plastic	23.0 lbf	18.0 lbf	13.0 lbf	105g
708	GSG-HC20-BD	\$187.01	20	Normally Open	Die Cast	23.0 lbf	18.0 lbf	13.0 lbf	180g
709	GSG-HC30-BD	\$308.01	30	Normally Open	Die Cast	49.0 lbf	39.0 lbf	28.0 lbf	450g

* Force when compressed air is supplied at 87psi. Tooling length is measured from jaw pivot point.

Use Quick#s for easy online ordering.



Gripper Mounting Slotted Bracket

Quick#	Part#	Wt.	Price	Notes
549	GSC-FGB-1	81g	\$22.78	Fits gripper sizes 20 and 30.

For use with gripper size 30, order (2x) M5x10 mm low head, 0.6mm thin lock washer.
See page 1076 for fasteners.



Angular Gripper Brackets

Quick#	Part#	Gripper	Weight	Price
720	GSG-HC15-HBK	HC15	17g	\$13.75
721	GSG-HC20-HBK	HC20	32g	\$13.75

See page 1076 for fasteners.