

# Nipper Overview

**Gimatic with Sensors** p.826



**Gimatic Nippers** p.827



**Vessel Nippers** p.828



**Swanstrom Nippers** p.829



**Nile Nippers** p.830



**OEM Nippers** p.831



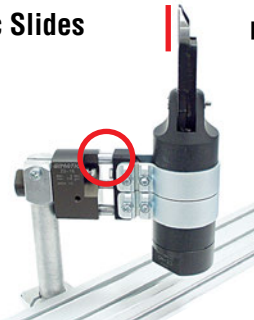
**Surface Mount Nippers** p.850



**Mounting Brackets** p.832



**Gimatic Slides** p.841



**Blade Holder** p.910



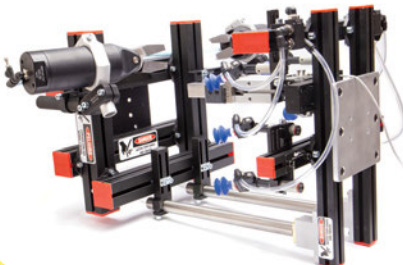
**Vessel Slides** p.840



**Intensifiers** p.853



**Degating Applications** p.854



**Blades** Swanstrom Tools USA **VESEL AIR NIPPER** **GIMATIC** p.858



Size 5    Size 10    Size 20    Size 30    Size 50

**Nipper Overview**

**Thrust Cut** p.904



**Gimatic Square Nippers** p.912



**NY Sliding Nippers** p.920



**NF Stationary** p.921



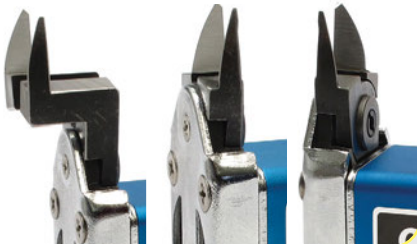
**NY-S Guided Slide** p.924



**NT Sliding Nippers** p.940



**NY, NF, NT Blades** p.930



**Timing Controller** p.925



**Mounting Brackets** p.939



**ME Sliding Nippers** p.946



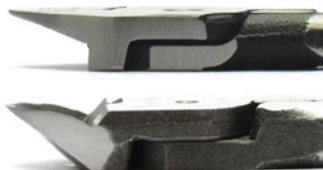
**MG Pivoting Nippers** p.950



**Hand Nippers** p.936



**More Vessel Blades** p.954



**Parts** p.959



**Resharpener** p.962



## Gimatic Nippers

Gimatic® nippers with sensor capability are available in sizes from 5–50 with cutting force from 259 lbf to 1327 lbf. These nipper bodies don't require special blades—use blades interchangeably with Vessel®, Swanstrom®, and Gimatic standard nipper bodies.



Gimatic nipper blades include blade covers for safe handling that can be stored along the profile.



Clamps can be mounted along the length of Gimatic nippers.



Designed for robotic EOAT applications, Gimatic nippers with sensor capability provide the feedback you need for reliable, unattended automation. These nippers can also function as standard nippers by simply not using sensors.



**Standard Nipper Bodies**

Only EMI brings you such a wide selection of nipper bodies. Although prices and features vary, all are normally in stock. Our EOAT engineers are available to help you choose the best nipper for your application.

**GNATIC**

**VESSEL** AIR NIPPER

 **Swanstrom Tools USA**

 **nile air tools**

**OEM Nippers**





# Gimatic Nippers – Sensor Version



These Gimatic® nippers have all the features and quality of the Gimatic nippers on the following page, with the additional feature of being capable of providing sensor feedback. These have been specifically designed for robotic EOAT applications to provide the confirmation you need for reliable, unattended automation.

Full list of Replacement Parts found online, search by Quick#. Service Kits for Gimatic Nippers found on page 959.

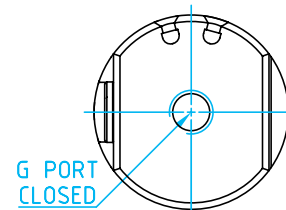
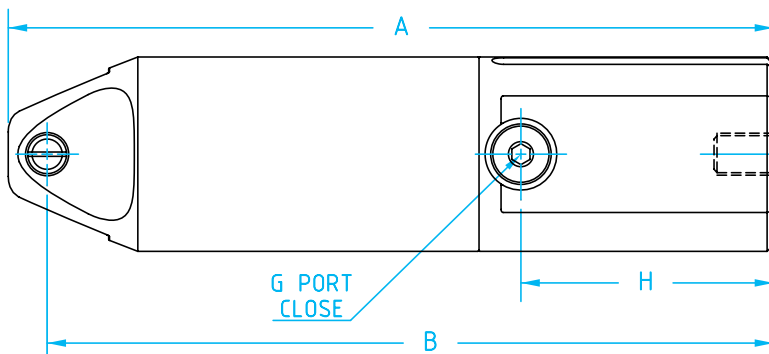
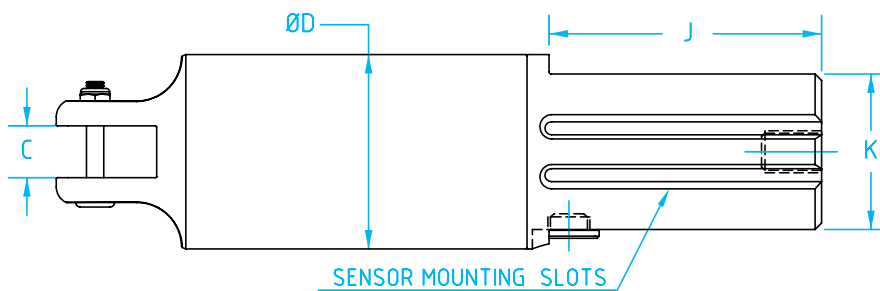
**Nippers with Sensor Slots - (Order blades and sensors separately)**

Quick#	Part#	Price	Sprue Ø Cut	A	B	C	ØD	G	H	J	K	Cutting Pressure*	Air Consumption	Wt.
1901	GSN-GN-05S	\$193.00	2mm	118	111	7	30	G1/8"	34	40	24	259 lbf	0.85 in <sup>3</sup>	125g
1903	GSN-GN-10S	\$206.00	4mm	144	137	12	36	G1/8"	41	46	30	611 lbf	1.53 in <sup>3</sup>	210g
1905	GSN-GN-20S	\$237.00	7mm	177	168	12	45	G1/8"	58	63	36	988 lbf	4.76 in <sup>3</sup>	360g
1907	GSN-GN-30S	\$251.00	10mm	230	220	17	56	G1/8"	75	80	46	1,327 lbf	10.37 in <sup>3</sup>	670g
1909	GSN-GN-50S	\$543.00	12mm	238	229	17	75	G1/8"	70	75	70	1,026 lbf	16.42 in <sup>3</sup>	1100g

*Order sensors separately* \* Force when compressed air is supplied at 87psi.

1882	SS4N225G	\$27.20	PNP	3-wire SS Style with 2.5m lead, 6–24vdc										
6282	SS3N203G	\$31.16	PNP	3-wire SS Style with 0.3m lead and M8 connector*, 6–24vdc										
1883	SS4M225G	\$27.20	NPN	3-wire SS Style with 2.5m lead, 6–24vdc										
1884	SS3M203G	\$31.16	NPN	3-wire SS Style with 0.3m lead and M8 connector*, 6–24vdc										

(\* M8 Extension cables Quick#'s 2582 & 2583 available on page 987



**Order blades on pages 858–902.**

# Gimatic Nippers – Non-Sensor Version



Gimatic applies their pneumatic technology in grippers to make nipper bodies for plastic degating applications. The Gimatic GN series round body nippers have higher cutting force ratings compared to similarly sized units. This means a smaller nipper can often be applied minimizing space, weight, and cost.

Full list of Replacement Parts found online, search by Quick#. Service Kits for Gimatic Nippers found on page 959.



Fittings Available on page 1043

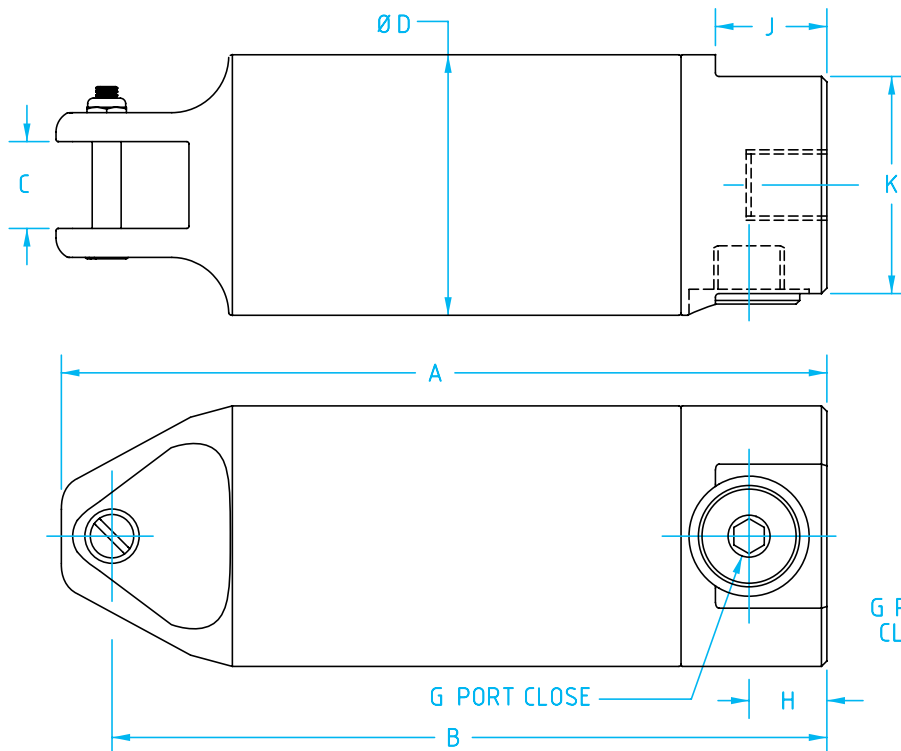


**Nippers - (Order blades separately)**

Quick#	Part#	Price	Sprue Ø Cut	A	B	C	ØD	G	H	J	K	Cutting Pressure*	Air Consumption	Wt.
1900	GSN-GN-05	\$177.00	2mm	94	87	7	30	G1/8"	11	15	24	259 lbf	0.85 in <sup>3</sup>	103g
1902	GSN-GN-10	\$182.00	4mm	113	106	12	36	G1/8"	11	15	30	611 lbf	1.53 in <sup>3</sup>	158g
1904	GSN-GN-20	\$192.00	7mm	129	120	12	45	G1/8"	11	15	36	988 lbf	4.76 in <sup>3</sup>	264g
1906	GSN-GN-30	\$203.00	10mm	165	155	17	56	G1/8"	11	15	46	1,327 lbf	10.37 in <sup>3</sup>	476g
1908	GSN-GN-50	\$473.00	12mm	178	169	17	75	G1/8"	11	15	70	1,026 lbf	16.42 in <sup>3</sup>	1099g

\* Force when compressed air is supplied at 87psi.

Use Quick#s for easy online ordering.



Order blades on pages 858-902.



# Vessel Nippers

## VESSEL® AIR NIPPER



Vessel® nippers are top quality and perform reliably. The nipper body housings are made of aluminum, and are lighter than comparable nippers. Vessel nippers have two available input ports for compressed air. Use one while the other is plugged. Vessel nippers also have bottom mounting holes for mounting options. A wide variety of mounting clamps are available starting on page 832.

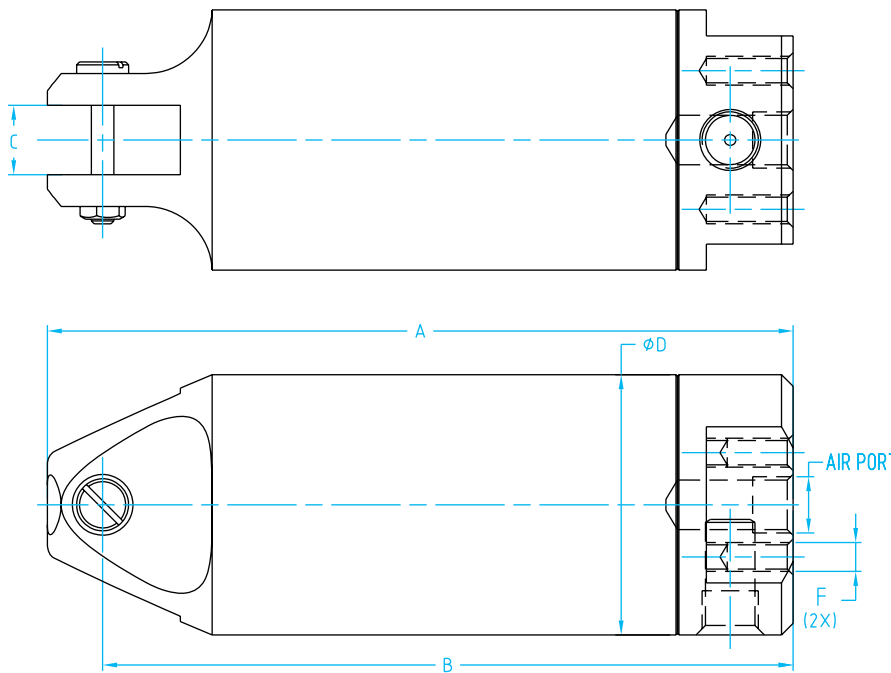
Full list of Replacement Parts found online, search by Quick#.

**Standard Nippers - (Order blades separately)**

Quick#	Part#	Model	Price	Sprue Ø Cut	A	ØD	B	C	E	F	Cutting Pressure*	Working Air Pressure	Air Port	Weight
601	GSN-NR5	GT-NR5	\$188.00	2mm	94	30	87	7	20	M4x10	88 lbf	57–71 psi	R1/8"	100g
603	GSN-NR10L	GT-NR10L	\$227.00	4mm	113	36	106	12	24	M4x10	132 lbf	57–85 psi	R1/8"	160g
606	GSN-NR20	GT-NR20	\$272.00	7mm	129	45	120	12	30	M5x12	308 lbf	71–85 psi	R1/8"	280g
611	GSN-NR30	GT-NR30	\$327.00	10mm	165	56	155	17	40	M6x12	617 lbf	71–85 psi	R1/8"	510g
699	GSN-NR50	GT-NR50	\$896.00	12mm	222	75	207	25.2	50	M6x12	1058 lbf	71–85 psi	R1/4"	1200g

Vessel Size 50 take select # of blades.  
Please contact an EMI Engineer

\* Force when compressed air is supplied at recommended psi.



**Note: Rotating endcap can change the orientation of the air inlet port.**



# Swanstrom Nippers



Swanstrom® nippers are top quality and perform reliably. The nipper body housings are made of aluminum, and are lighter than comparable nippers. Swanstrom nippers have two available input ports for compressed air. Use one while the other is plugged.

These are a very nice “Made in the USA” nipper alternative at a competitive price.

Full list of Replacement Parts found online, search by Quick#.



Fittings Available on page 1043



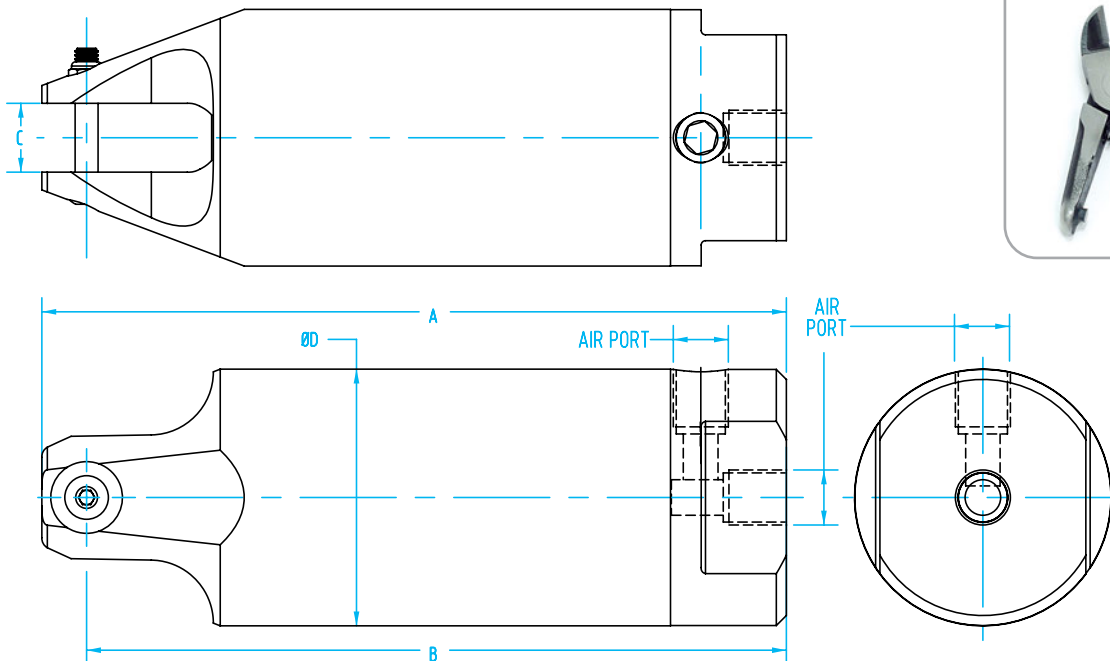
**Swanstrom Standard Nippers - (Order blades separately)**

Quick#	Part#	Price	Sprue Ø Cut	A	ØD	B	C	Cutting Pressure*	Working Air Pressure	Air Port	Weight
5041	SPT-05R	\$223.00	2mm	95	30	90	7	88 lbf	57–71 psi	G1/8"	106g
5042	SPT-10R	\$248.00	4mm	114	36	110	12	132 lbf	57–85 psi	G1/8"	162g
5043	SPT-20R	\$265.00	7mm	130	45	126	12	308 lbf	71–85 psi	G1/8"	272g
5045	SPT-30R	\$288.00	10mm	166	56	163	17	617 lbf	71–85 psi	G1/8"	508g
5046	SPT-50R	\$628.00	12mm	171	75	170	17	1058 lbf	71–85 psi	NPT1/4"	896g

\* Force when compressed air is supplied at recommended psi.

Use Quick#s for easy online ordering.

Order blades on pages 858–902.



**Note: Rotating endcap can change the orientation of the air inlet port.**

# Nile Nippers



Nile® nippers are good quality and perform reliably. The nipper body housings are cast metal, and are therefore heavier than comparable aluminum nippers. Nile nippers only have one input port for compressed air, and no bottom mounting holes. Nipper holding clamps fit Nile, Vessel®, etc. interchangeably.

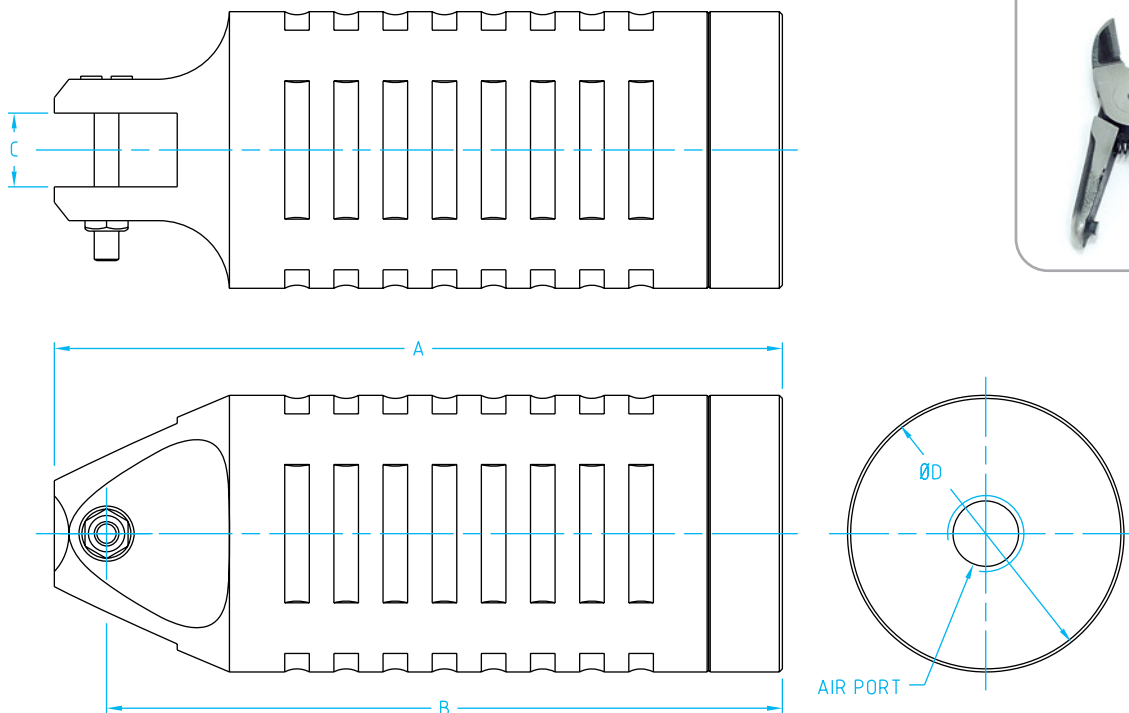
Nippers - (Order blades separately)

Quick#	Part#	Price	Sprue Ø Cut	A	B	C	ØD	Cutting Pressure*	Working Air Pressure	Port (Female)	Weight
1564	GSN-MR-10M	\$99.00	4mm	124	106	12	36	132 lbf	57–85 psi	G1/4"	200g
1565	GSN-MR-20M	\$114.00	7mm	140	120	12	45	308 lbf	71–85 psi	G1/4"	340g
1566	GSN-MR-30AM	\$148.00	10mm	176	155	17	56	617 lbf	71–85 psi	G1/4"	520g
1567	GSN-MR-50FM	\$433.00	12mm	176	165	17	75	1058 lbf	71–85 psi	G1/4"	1290g

\* Force when compressed air is supplied at recommended psi.

Use Quick#s for easy online ordering.

**Order blades on pages 858–902.**



OEM Nippers

# OEM Nippers

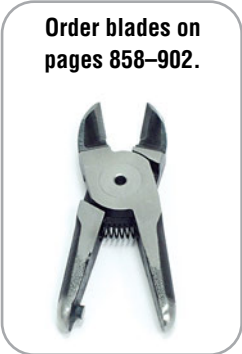
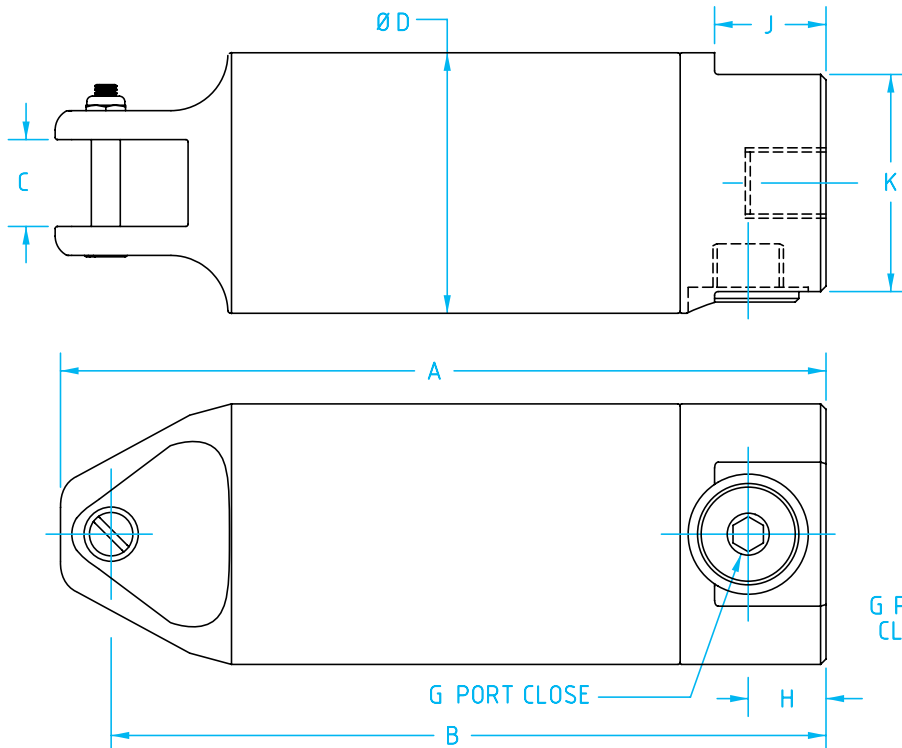
OEM® nippers are good quality and perform reliably. The new style nipper body housings are aluminum, making them lighter than the previous bodies. OEM nippers only have one input port for compressed air. Nipper holding clamps fit OEM, Nile®, Vessel®, etc. interchangeably. This is a great low-cost alternative to any of the nipper brands. Note: there are no brand logos on the bodies making them ideal for contract builders.



OEM Nippers - (Order blades separately)

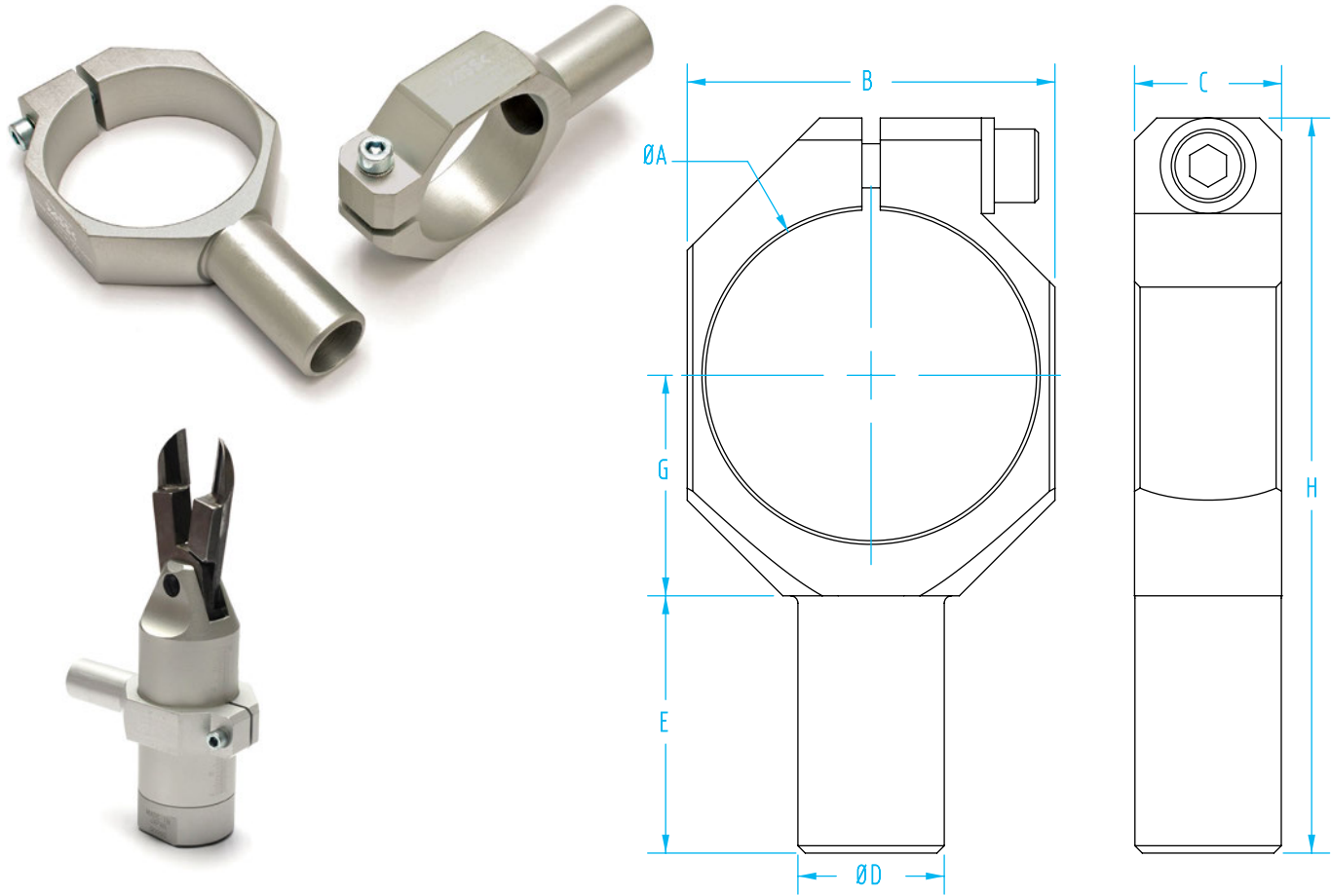
Quick#	Part#	Price	Sprue Ø Cut	A	B	C	ØD	G	H	J	K	Cutting Pressure*	Air Consumption	Wt.
311	GNG-05	\$82.00	2mm	94	87	7	30	G1/8"	11	15	24	258 lbf	0.85 in <sup>3</sup>	100g
312	GNG-10	\$93.00	4mm	113	106	12	36	G1/8"	11	15	30	609 lbf	1.53 in <sup>3</sup>	160g
313	GNG-20	\$103.00	7mm	129	120	12	45	G1/8"	11	15	36	986 lbf	4.76 in <sup>3</sup>	267g
314	GNG-30	\$139.00	10mm	165	155	17	56	G1/8"	11	15	46	1,325 lbf	10.37 in <sup>3</sup>	480g

\* Force when compressed air is supplied at 87psi.





## Nipper Mounting Brackets



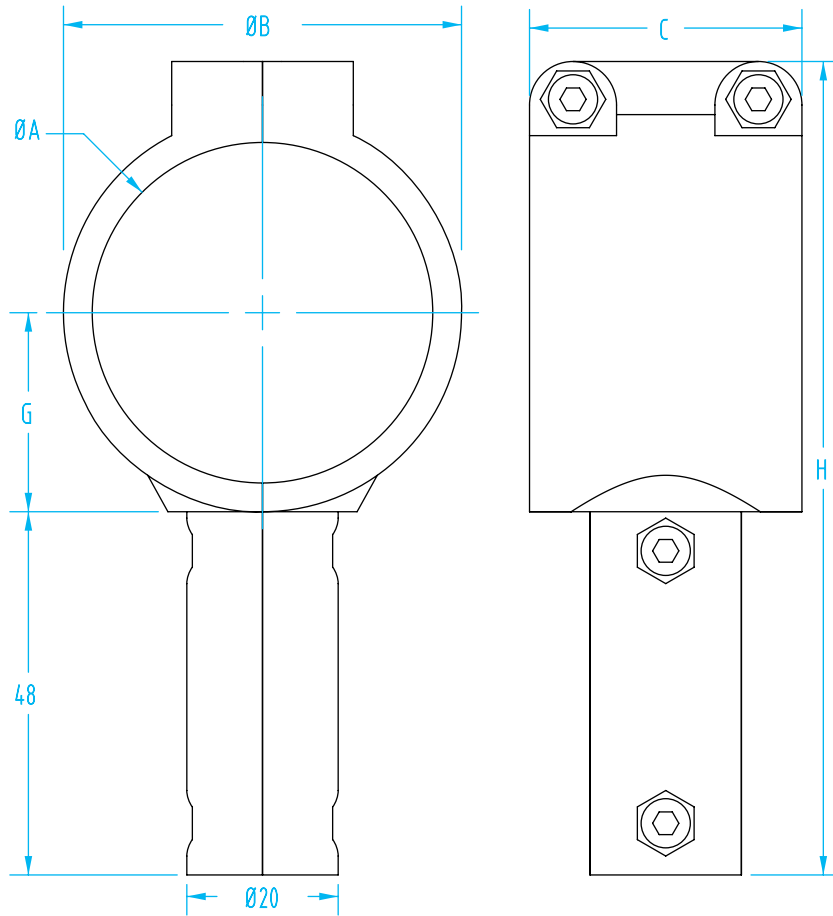
Nipper Mounting Brackets

Quick#	Part#	Price	>ASS< #	Use with Nipper	ØA	B	C	D	E	G	H	Wt.
3346	ASZ-KS10	\$44.63	1-640-31-00	size 10 bodies	36	40	15	14	25	22	76	56g
3347	ASZ-KS20	\$45.68	1-640-34-00	size 20 bodies	45	50	20	20	35	30	100	69g
3348	ASZ-KS30	\$49.88	1-640-37-00	size 30 bodies	56	60	20	20	40	35	115	79g
3349	ASZ-KS50	\$59.33	1-640-40-00	size 50 bodies	75	85	20	20	55	45	150	158g
6396	MFM-A11	\$71.76	-	size 50 bodies	75	83	40	30	48	41	138	308g

### Application Examples



## Nipper Mounting Brackets



These nipper mounting clamps are made of glass-filled nylon. They are very strong, yet lightweight and economical. Their  $\text{Ø20mm}$  stud make them compatible with many profile mounting clamps.

**Nipper Mounting Brackets**

Quick#	Part#	Price	Use with Nipper	ØA	B	C	G	H	Wt.
6382	MFP-A08	\$6.24	size 05 bodies	30	36	30	18	90	48g
6379	MFP-A05	\$6.76	size 10 bodies	36	43	32	21.5	96.5	54g
6380	MFP-A06	\$9.36	size 20 bodies	45	52.6	36	26.3	107.5	65g
6381	MFP-A07	\$10.19	size 30 bodies	56	64	40	32	118.5	82g

*Made of GRP. Includes fasteners.*

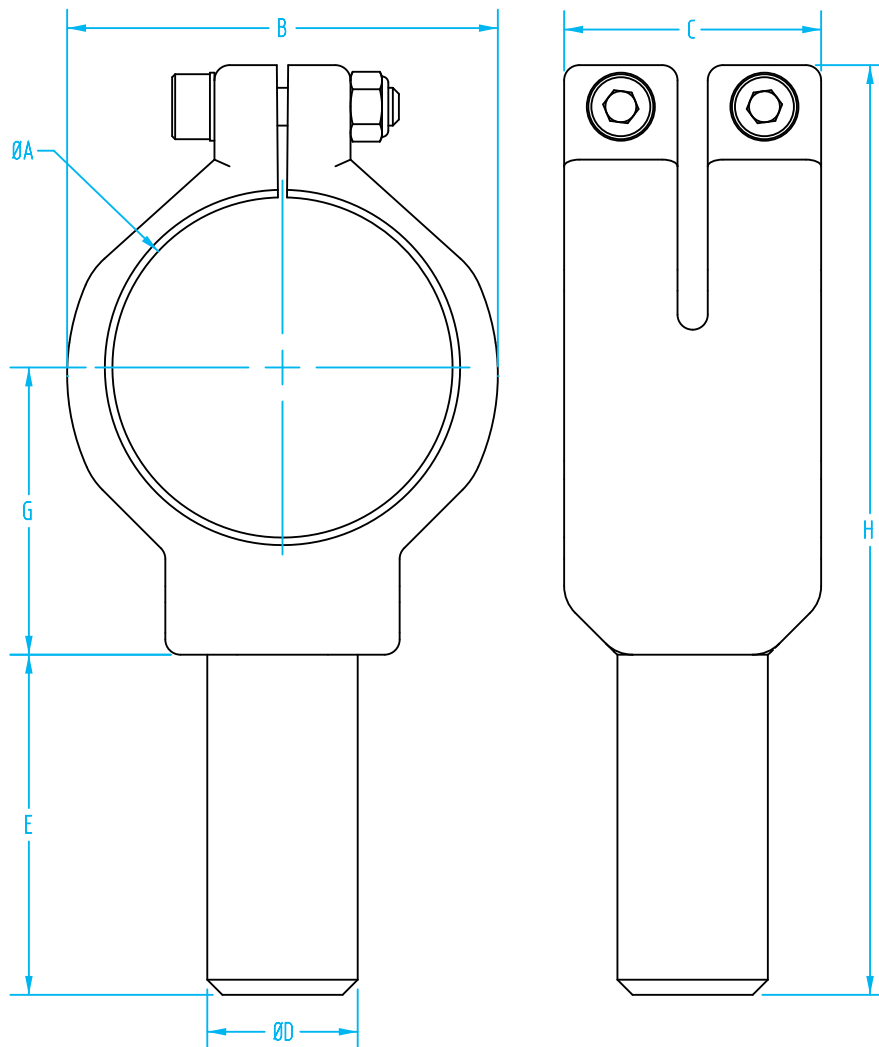
### Application Examples



## Nipper Mounting Brackets



Lightweight yet strong, the design makes these clamps optimal for use on EOAT. These 3D printed mounting brackets have two integrated clamps, which provides an extra layer of security.



Nipper Mounting Brackets

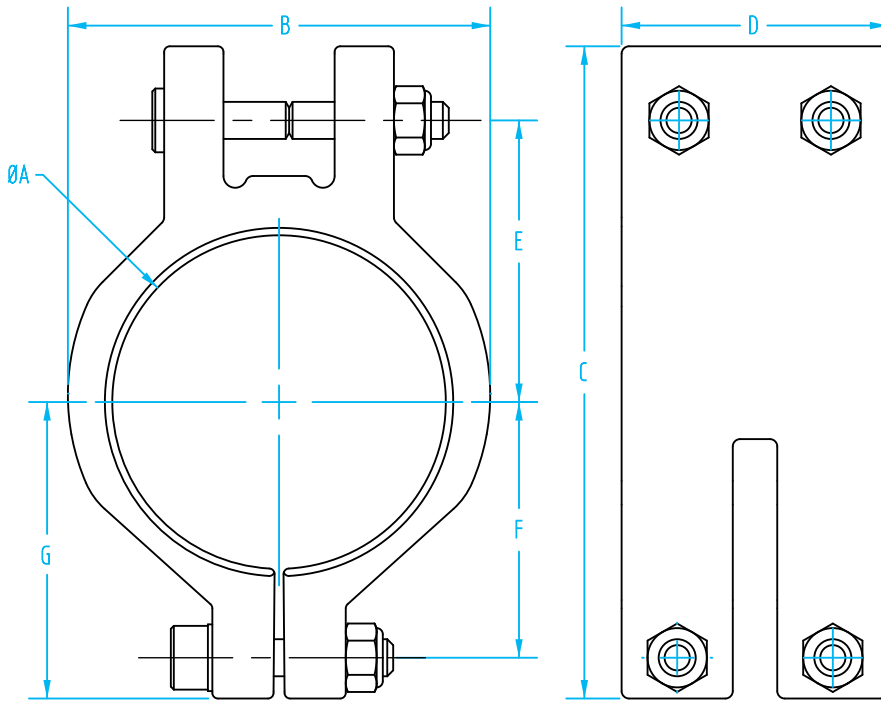
**NEW**

Quick#	Part#	Price	Use with Nipper	ØA	B	C	ØD	E	G	H	Wt.
2058	GSN-NMCP-05	\$19.00	size 5 bodies	30	39	36	20	35	28	93	70g
2059	GSN-NMCP-10	\$22.50	size 10 bodies	36	47	36	20	40	33	108	78g
2060	GSN-NMCP-20	\$28.50	size 20 bodies	45	57	36	20	45	38	123	80g
2061	GSN-NMCP-30	\$34.50	size 30 bodies	56	72	36	20	50	43	141	90.4g

*Includes fasteners.*



## Mounting Brackets for ZG Nipper Slides



These new clamps are made to integrate with Gimatic ZG Nipper Slides. After years of implementing 3D printing to enhance custom Degate Applications, these EMI nipper clamps are a part of our Engineers toolbox and now available to you. Like the clamps on page 834, these brackets have two integrated clamps, which provides an extra layer of security.

**Mounting Brackets for ZG Nipper Slides**

Quick#	Part#	Price	Use with Nipper	ØA	B	C	D	E	F	G	Wt.
2043	GSN-NMC-05	\$20.50	size 5 bodies	30	39	68	36	28	24.5	30	50g
2044	GSN-NMC-10	\$24.00	size 10 bodies	36	47	78	36	33	29.5	35	58g
2045	GSN-NMC-20	\$27.50	size 20 bodies	45	57	88	36	38	34.5	40	70g
2046	GSN-NMC-30	\$32.50	size 30 bodies	56	72	101	36	43	42.5	48	82g

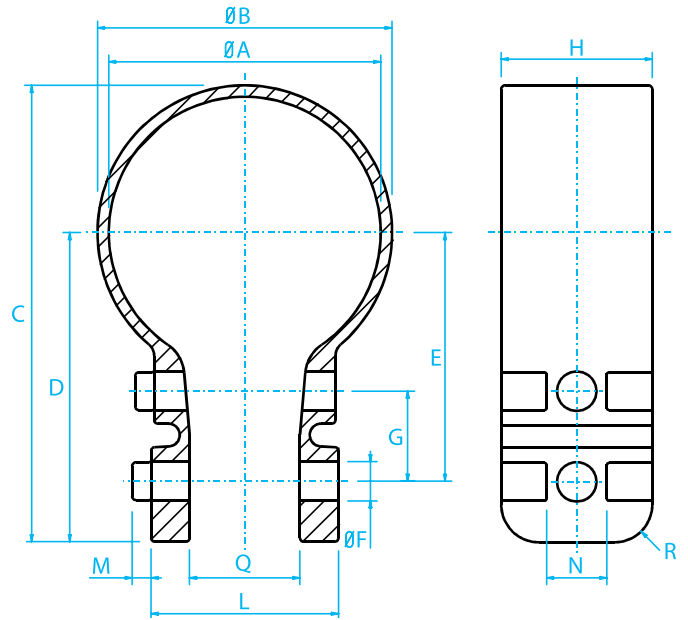
**NEW**

*Includes fasteners.*

### Application Examples



## Nipper Mounting Brackets

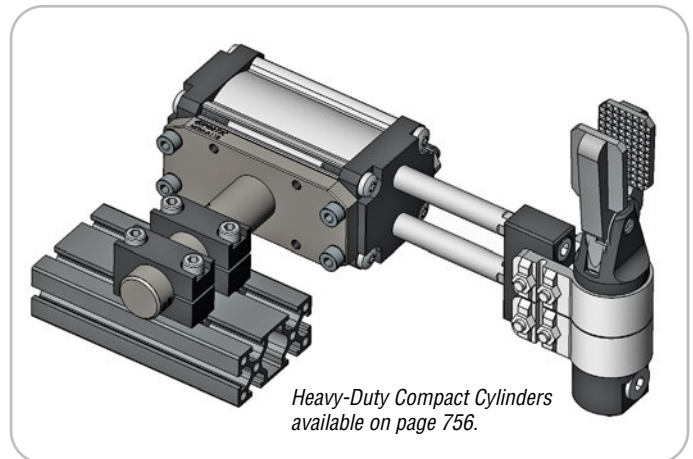


The top screw of these plated steel nipper mounting brackets securely holds the nipper, and the bottom screw securely holds any 15mm mounting hinge. If you loosen one screw to make an adjustment, the other screw maintains its secure clamp.

### Nipper Mounting Brackets

Quick#	Part#	Price	Use with Nipper	ØA	ØB	C	D	E	ØF	G	H	L	M	N	Q	R	Wt.
6370	MFM-A30	\$17.37	size 5 bodies	30	33	55	38.5	30.5	5.2	12	20	25	2.5	8	15	5	69g
6371	MFM-A36	\$21.84	size 10 bodies	36	39	60.5	41	33	5.2	12	20	25	2.5	8	15	5	75g
6372	MFM-A45	\$23.61	size 20 bodies	45	48	70	46	38	5.2	12	20	25	2.5	8	15	5	80g
6373	MFM-A56	\$26.42	size 30 bodies	56	60	83.5	53.5	45.5	5.2	12	20	25	2.5	8	15	5	102g

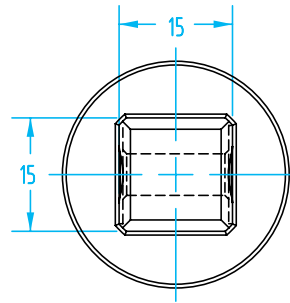
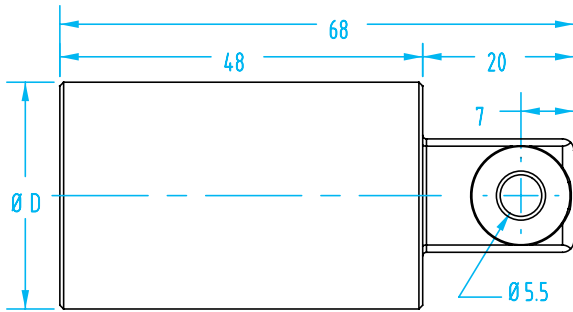
*Includes fasteners.*



*Heavy-Duty Compact Cylinders available on page 756.*

**Nipper Mounting Posts**

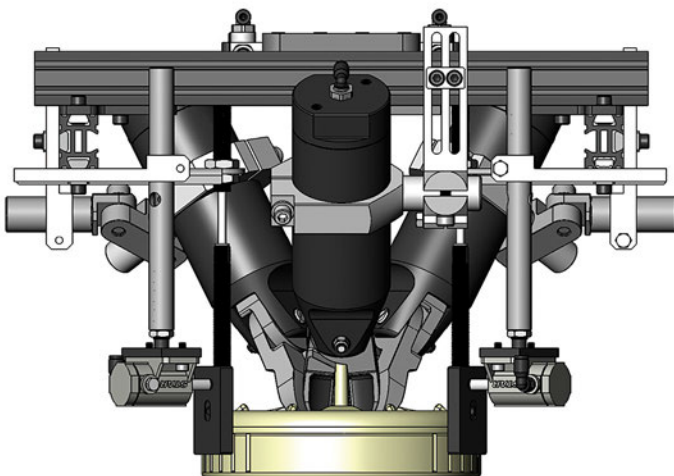
(Dimensioned drawing shown full scale)



**Nipper Mounting Post**

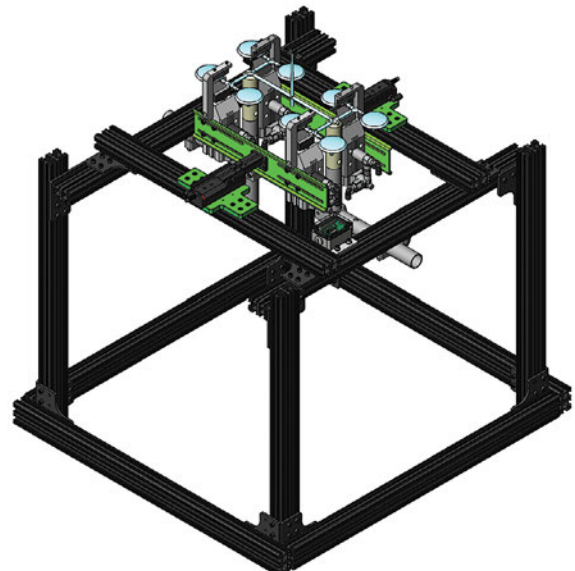
Quick#	Part#	Price	ØD	Wt.
6400	MFM-A17	\$30.06	20mm	56g
6401	MFM-A18	\$33.18	30mm	82g

**Degating on the EOAT**



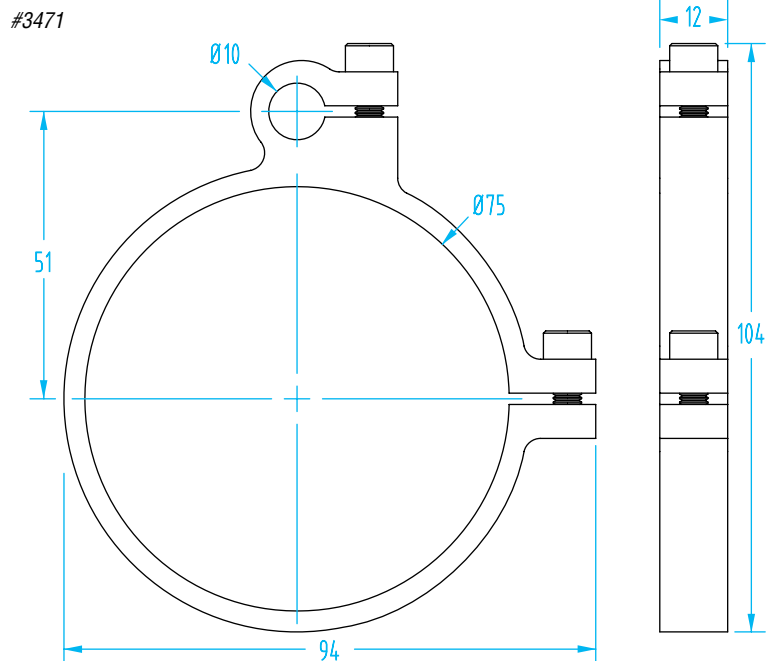
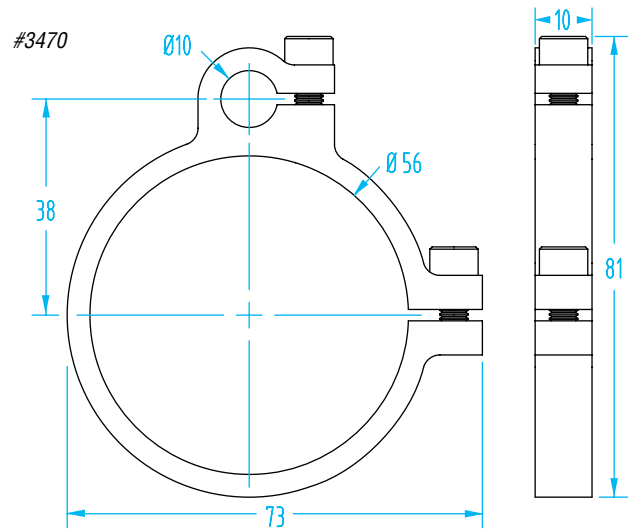
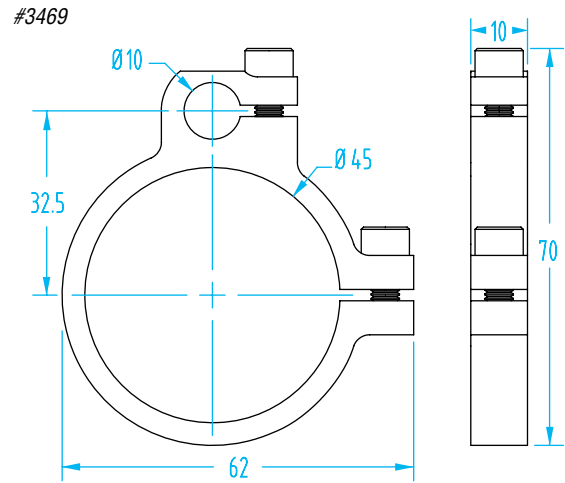
**Call EMI for All Your Degating Applications**

**Stand-Alone Degating Stations**



# Nipper Mounting Clamps

(Dimensioned drawings shown 3/4 scale)



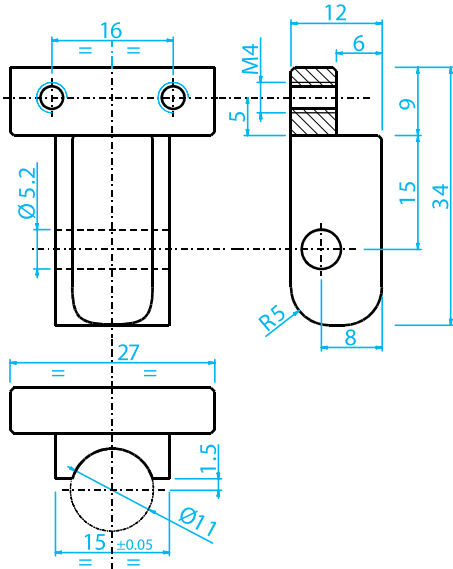
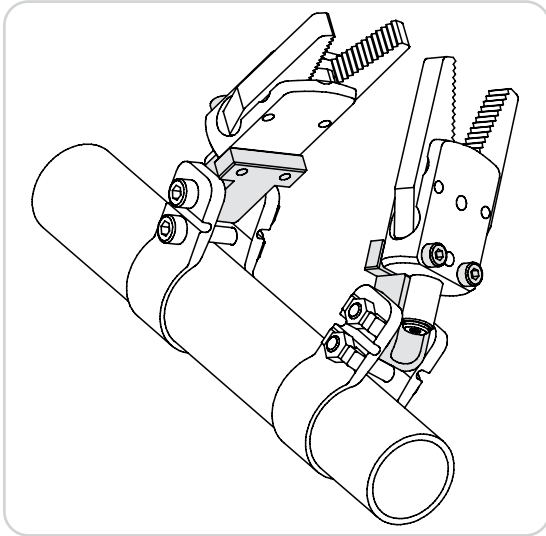
Nipper / Gripper Combination Clamp

Quick#	Part#	>ASS< #	Use with Nipper	Price	Wt.
3469	ASZ-KA20	1-640-13-00	size 20 bodies	\$67.73	32g
3470	ASZ-KA30	1-640-16-00	size 30 bodies	\$86.10	36g
3471	ASZ-KA50	1-640-19-00	size 50 bodies	\$92.40	42g



**Gripper Adaptor Mount**

(Dimensioned drawing shown full scale)



**Mounting Bracket for Mini Grippers**

Quick#	Part#	Price	Use with:	Wt.
6421	MFM-A57	\$37.75	Gimatic PB Grippers >ASS< GRZ-10-12 Grippers	25g

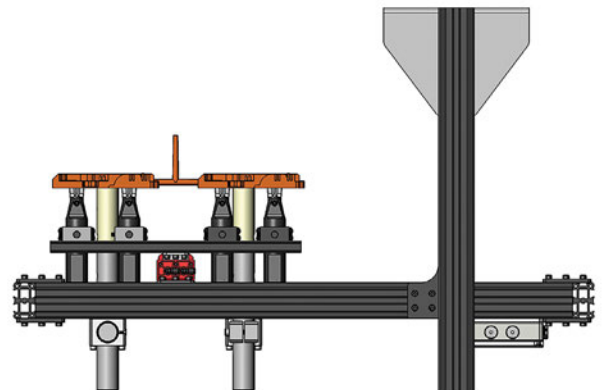
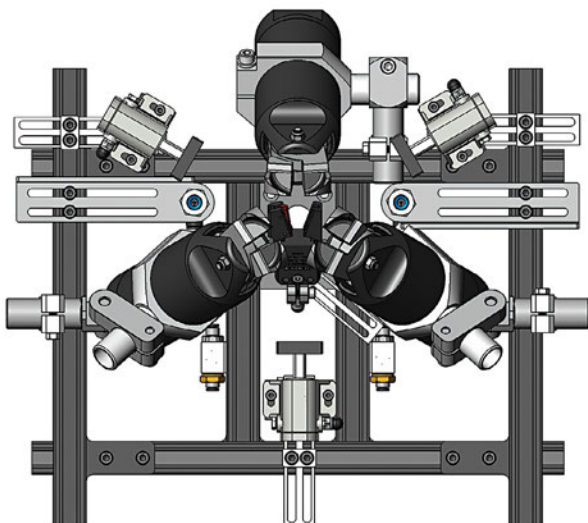
*Includes fasteners.*

See page 430 for Gimatic PB Grippers.

See page 476 for >ASS< GRZ-10-12 Grippers.

**Call EMI for All Your Degating Applications**

**Robot Beam-Mounted Degating Stations**





## Vessel Nipper Slides

These models combine the strong nipper cutting capability of NS bodies with a linear slide and an air cylinder. Their upright, fixed right-angle make them convenient for use on separate degating stations. Inline blades (ordered separately) such as AJ and AJL are typically used with these nipper slide systems.



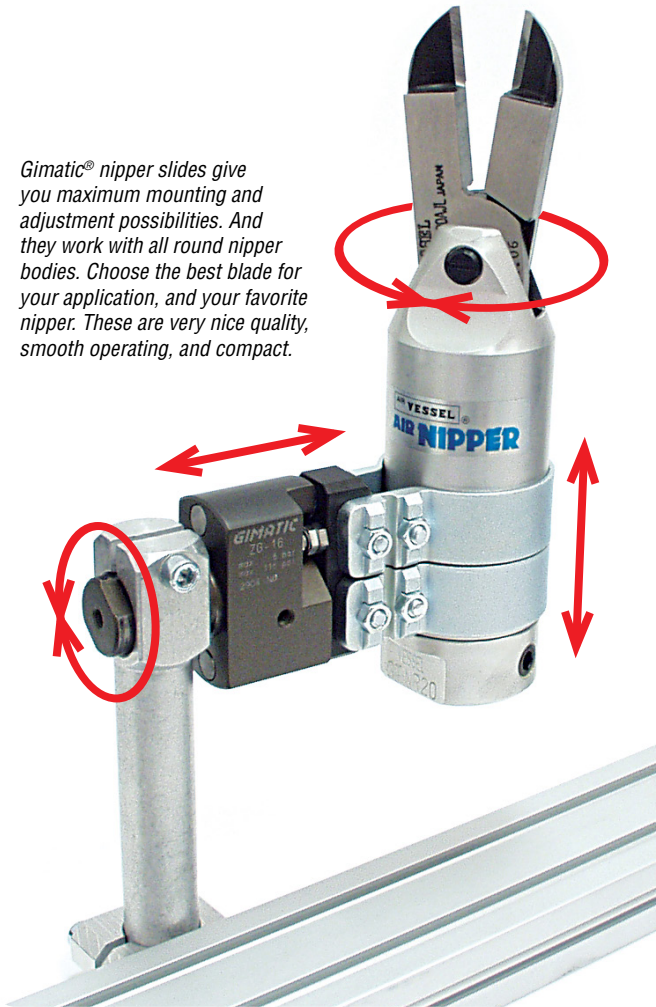
### Large Sliding Nippers

Quick#	Part#	Action	Stroke	Includes nipper body:	Cutting force	Price
2315	GSN-NB10LLW-10SM	Push	10mm	NS-10L	132 lbf	\$611.00
2316	GSN-NB10LLW-10TM	Pull				\$611.00
2317	GSN-NB20LW-10SM	Push	10mm	NS-20	309 lbf	\$639.00
2063	GSN-NB20LW-10TM	Pull				\$639.00
2318	GSN-NB30LW-10SM	Push	10mm	NS-30	617 lbf	\$807.00
2319	GSN-NB30LW-10TM	Pull				\$807.00

Order blades on pages 858–890.

# Gimatic Nipper Slides

*Gimatic® nipper slides give you maximum mounting and adjustment possibilities. And they work with all round nipper bodies. Choose the best blade for your application, and your favorite nipper. These are very nice quality, smooth operating, and compact.*



These are the best slide nipper combinations available. They combine the strong cutting capability of the round-type nipper bodies with a slide actuator. The slides fit nipper bodies from size 05–30. They all have an adjustable stroke from 0–10mm. They are available in normally open and normally closed. All can be made double-acting by removing the internal spring, or use the spring in combination with the standard double acting porting to boost pressure. They are available as a sensor slot version, or non-sensor version. To provide maximum mounting possibilities the clampable bodies are Ø20mm and Ø30mm to fit standard mounting clamps.

*When angled blades are required, use one clamp and adjust the angle as necessary. This configuration is very strong and won't slip. (Single clamp configuration is only recommended for sizes 5 & 10.)*



**Cost Comparison**

ZG Slide	Price	Nipper Body	Price	Clamp Brackets (2)	Cutting Force	Total Price
ZG-16	\$203.00	GN-05	\$177.00	\$34.74	259 lbf	\$414.74
ZG-16	\$203.00	GN-10	\$182.00	\$43.68	611 lbf	\$428.68
ZG-25	\$257.00	GN-20	\$192.00	\$47.22	988 lbf	\$496.22
ZG-25	\$257.00	GN-30	\$203.00	\$52.84	1,327 lbf	\$512.84

Order Blades Separately. Try new brackets on page 835 for a more cost effective solution.

ZG-16 with size 05 Nipper



ZG-16 with size 10 Nipper



ZG-16 with size 20 Nipper



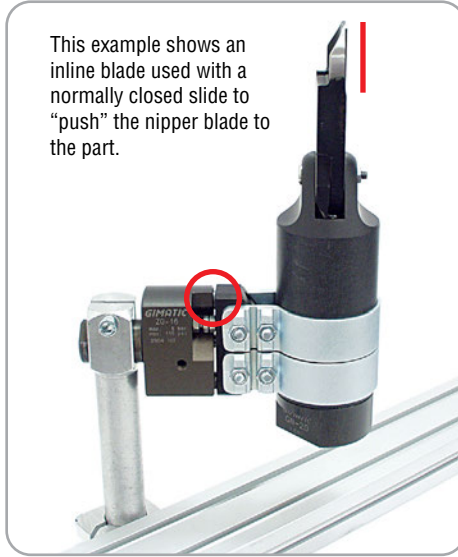
ZG-25 with size 30 Nipper



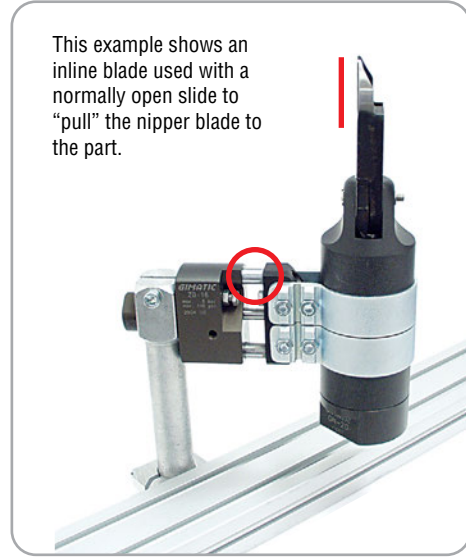
## Nipper Slide Examples

**Ideal for  
Robotic EOAT  
Applications.**

This example shows an inline blade used with a normally closed slide to “push” the nipper blade to the part.



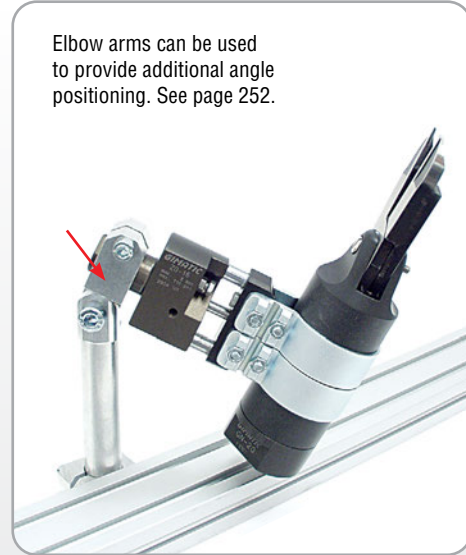
This example shows an inline blade used with a normally open slide to “pull” the nipper blade to the part.



Angle arms can be used to provide angle positioning around the slide’s clampable body. See page 254.



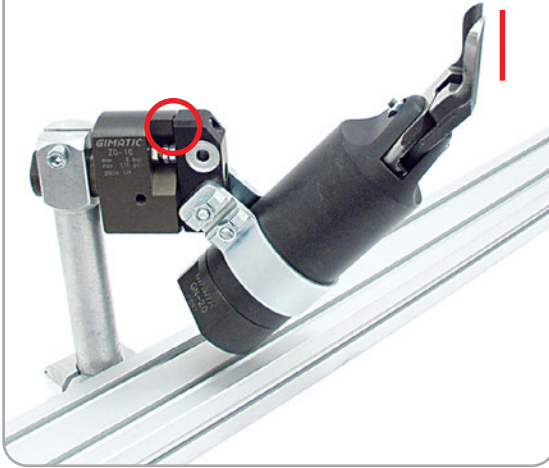
Elbow arms can be used to provide additional angle positioning. See page 252.



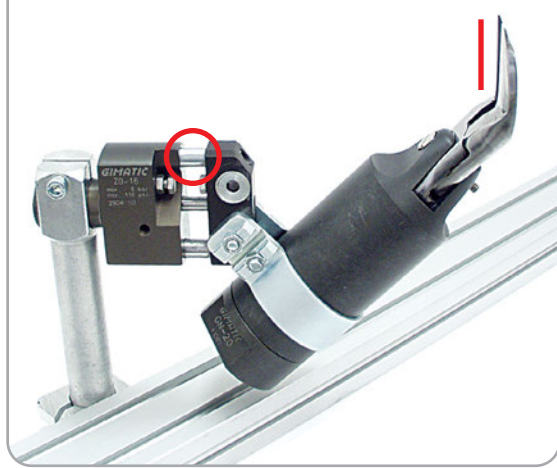


# Nipper Slide Examples

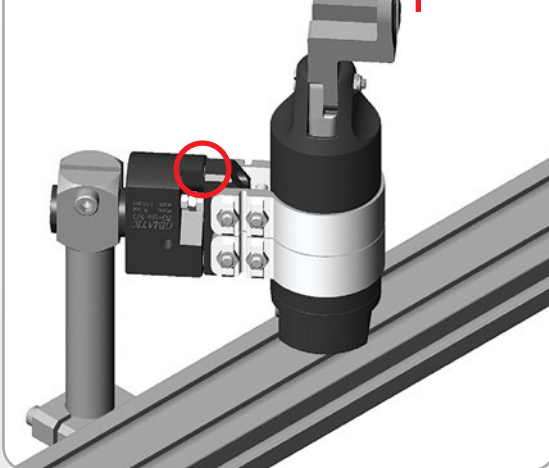
This example shows a deep angle blade used with a normally closed slide to “push” the nipper blade to the part.



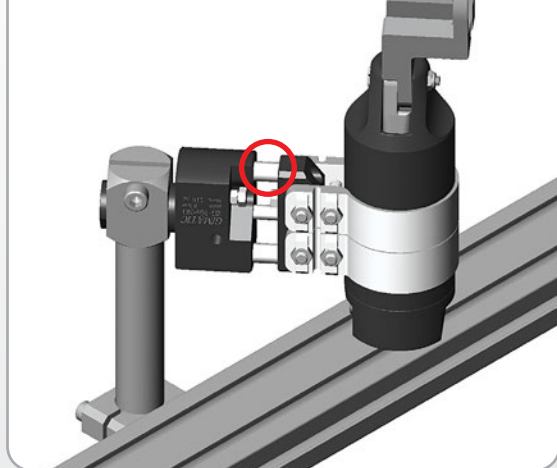
This example shows an reverse angle blade used with a normally open slide to “pull” the nipper blade to the part.



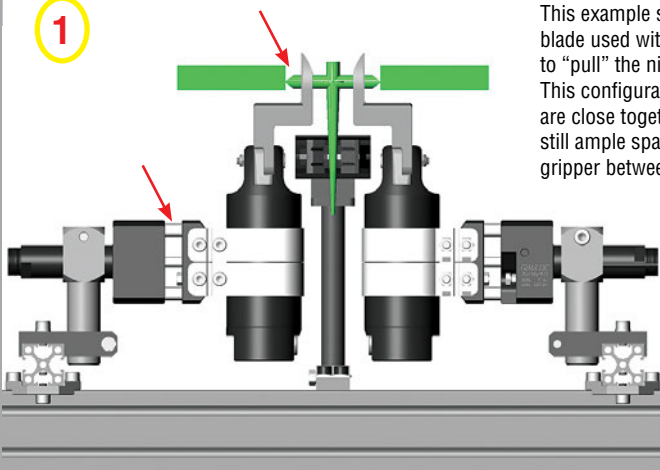
This example shows an offset blade used with a normally closed slide to “push” the nipper blade to the part.



This example shows an offset-reverse blade used with a normally open slide to “pull” the nipper blade to the part.

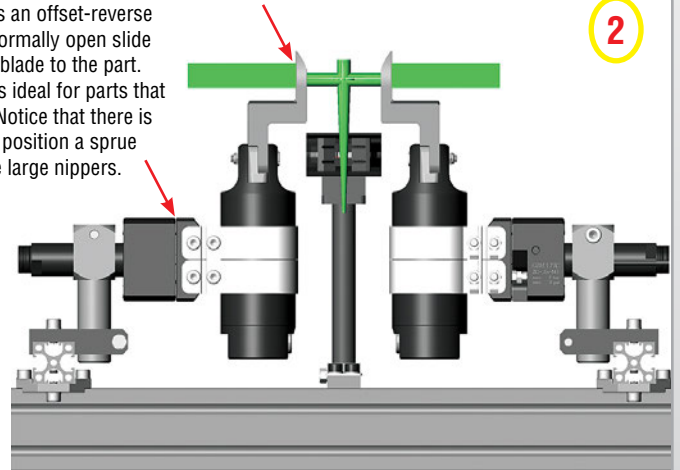


1



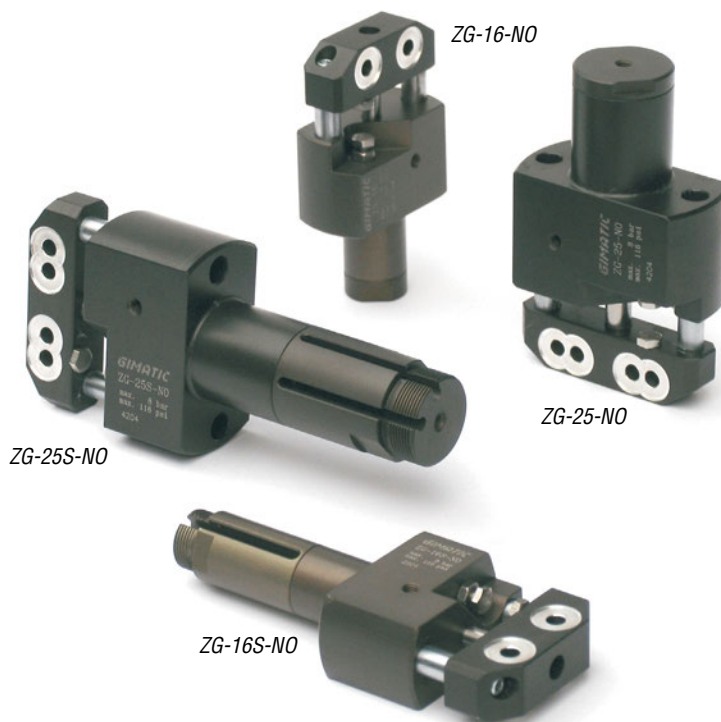
This example shows an offset-reverse blade used with a normally open slide to “pull” the nipper blade to the part. This configuration is ideal for parts that are close together. Notice that there is still ample space to position a sprue gripper between the large nippers.

2



## Nipper Slides

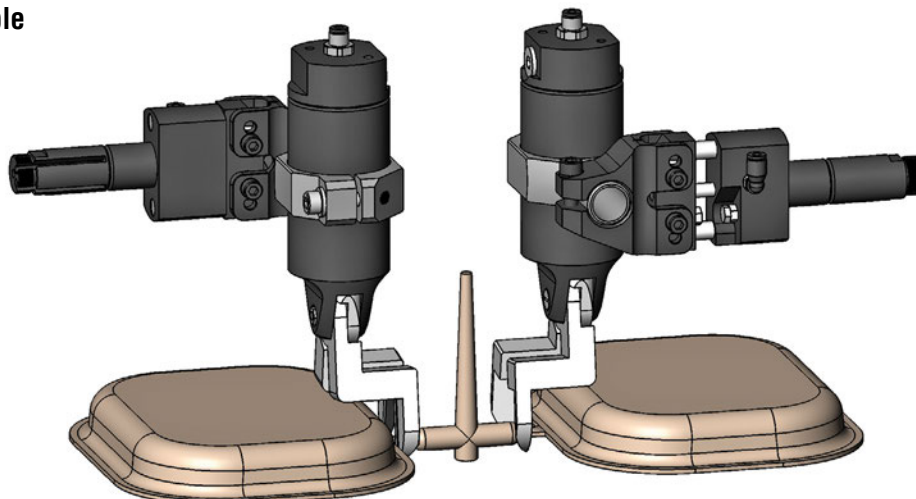
- Sliding nippers allow precise blade positioning for accurate cuts with no to minimal vestage.
- Available in two sizes: Bore 16 and 25mm.
- All can be used as double acting.
- Internal spring can be removed, or used for: spring open (NO), or spring closed (NC).
- Available with or without sensor slots.
- Unique configuration allows for unlimited positioning.
- New mounting brackets on page 835.



**Pricing: See Next Page.**

Part#	ZG-16-NO	ZG-16-NC	ZG-25-NO	ZG-25-NC
	(with sensor slots)	ZG-16S-NO	ZG-16S-NC	ZG-25S-NO
Quick#	6362	6364	6366	6368
(with sensor slots)	6363	6365	6367	6369
Medium	Filtered, lubricated/non-lubricated compressed air			
Pressure range	43–116 psi			
Stroke	0–10mm			
Piston bore	16mm		25mm	
Retraction force at 87 psi	15 lbf	27 lbf	47 lbf	62 lbf
Extension force at 87 psi	30 lbf	18 lbf	67 lbf	54 lbf
Retraction force at 0 psi	0 lbf	6 lbf	0 lbf	7 lbf
Extension force at 0 psi	6 lbf	0 lbf	7 lbf	0 lbf
Weight without air nipper ZG-...	180g	180g	360g	360g
Weight without air nipper XG-...S-...	200g	200g	425g	425g

### Application Example





## Sizing and Ordering Nipper Slide Packages

### STEP 1 SELECT NIPPER BODY AND BLADE

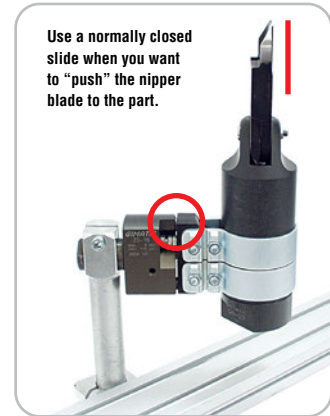
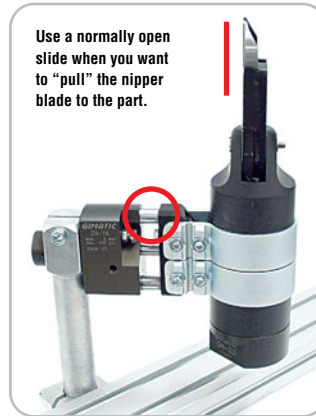
Select any round nipper body size from 05 to 30 and an appropriate blade. Order separately.



### STEP 2 DETERMINE NORMALLY OPEN OR NORMALLY CLOSED

If you are going to “Push” the blade to the part, you will be using a Normally Closed slide.  
If you are going to “Pull” the blade to the part, you will be using a Normally Open slide.

**NOTE:** If you want strict double acting, order the Normally Closed version and remove the spring. The spring is easier to remove from Normally Closed slides. (All ZG Slides are plumbed for double-acting operation.)



### STEP 3 DETERMINE MOUNTING ANGLE AND NUMBER OF BRACKETS

Depending upon your configuration, one or two brackets will be used. Single clamp configuration is only recommended for sizes 5 & 10 nippers. Order brackets on pages 835 & 836.



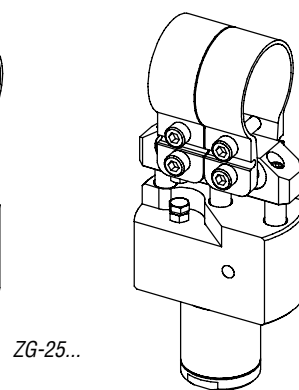
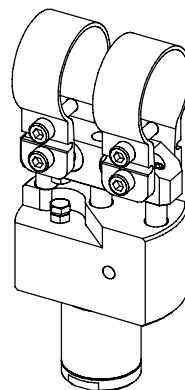
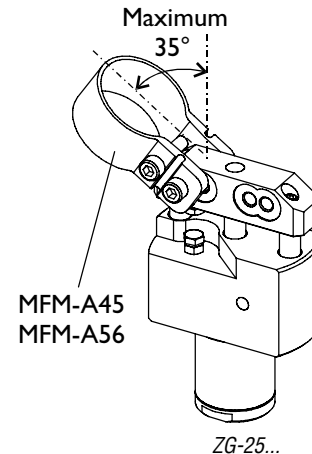
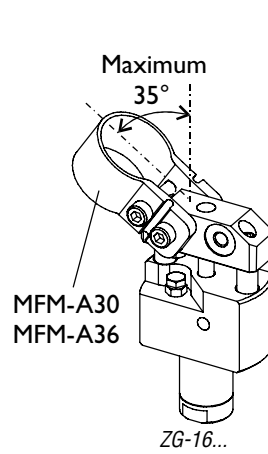
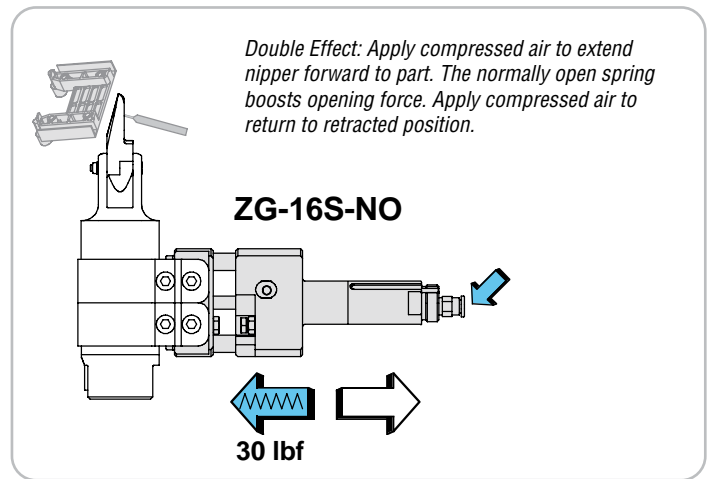
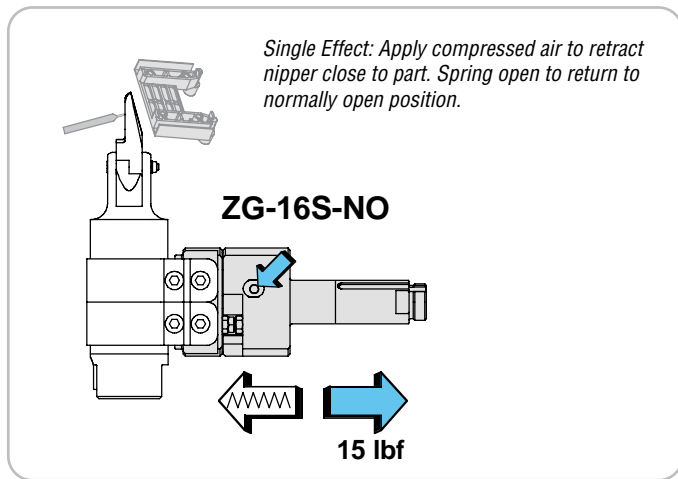
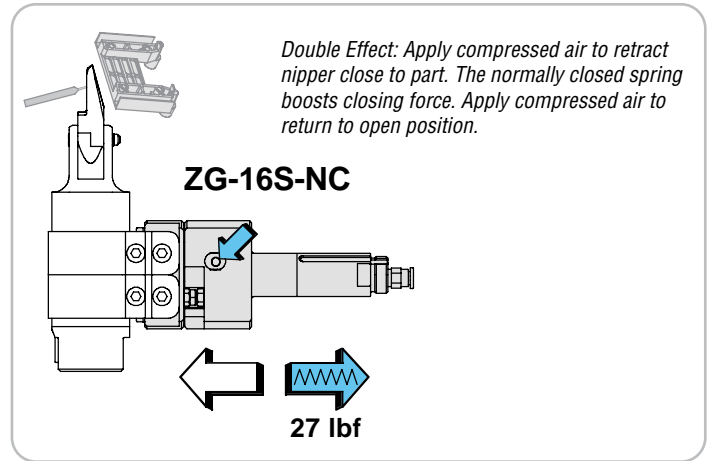
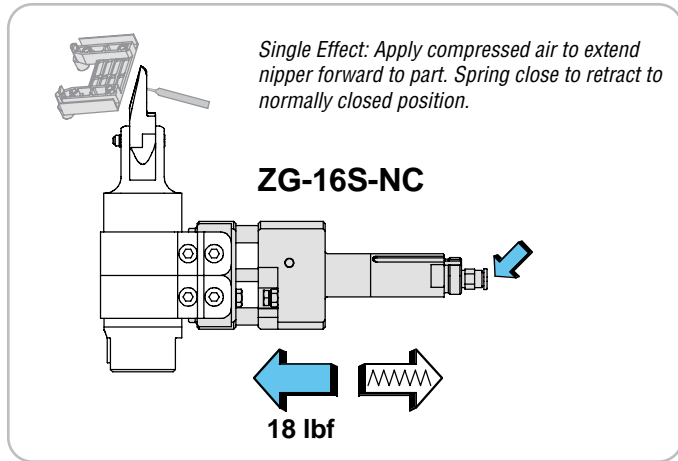
### STEP 4 ORDER THE APPROPRIATE ZG SLIDE

- A. If you are using nipper body sizes 5 or 10, order ZG-16 slides. If you are using size 20 bodies, order size ZG-16. If you are using size 30 nippers, order ZG-25 slides.
- B. Determine if you want sensor capability, or not. Other sensor options for the ZG Nipper Slides including sensors with M8 connectors are available on page 1007.

Quick#	Part#	Normal State	Style	Use with Nipper Sizes	Price
6362	ZG-16-NO	Open	Non-Sensor	05, 10, 20	\$203.00
6363	ZG-16S-NO	Open	Sensor Style	05, 10, 20	\$189.00
6364	ZG-16-NC	Closed	Non-Sensor	05, 10, 20	\$203.00
6365	ZG-16S-NC	Closed	Sensor Style	05, 10, 20	\$189.00
6366	ZG-25-NO	Open	Non-Sensor	20, 30	\$257.00
6367	ZG-25S-NO	Open	Sensor Style	20, 30	\$285.00
6368	ZG-25-NC	Closed	Non-Sensor	20, 30	\$257.00
6369	ZG-25S-NC	Closed	Sensor Style	20, 30	\$285.00

Quick#	Part#	Price	Cable	Signal	Voltage
1882	SS4N225G	\$27.20	3-wire, 2.5m leads	PNP	6-24v dc
1883	SS4M225G	\$27.20	3-wire, 2.5m leads	NPN	6-24v dc

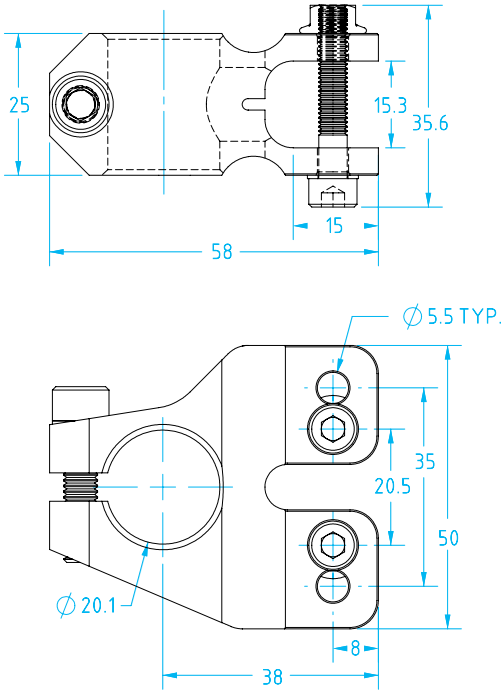
# Nipper Slides



1	2	3
GN-05	MFM-A30	ZG-16...
GN-05S		ZG-16...
GN-10	MFM-A36	ZG-16...
GN-10S		ZG-16...
GN-20	MFM-A45	ZG-25...
GN-20S		ZG-25...
GN-30	MFM-A56	ZG-25...
GN-30S		ZG-25...

# ZG Nipper Slide Mounting Bracket

(Dimensioned drawings shown 3/4 scale)



**Mounting for Nipper**

Quick#	Part#	Price	Wt.
5350	GSC-MB-ZG1625	\$54.27	92g



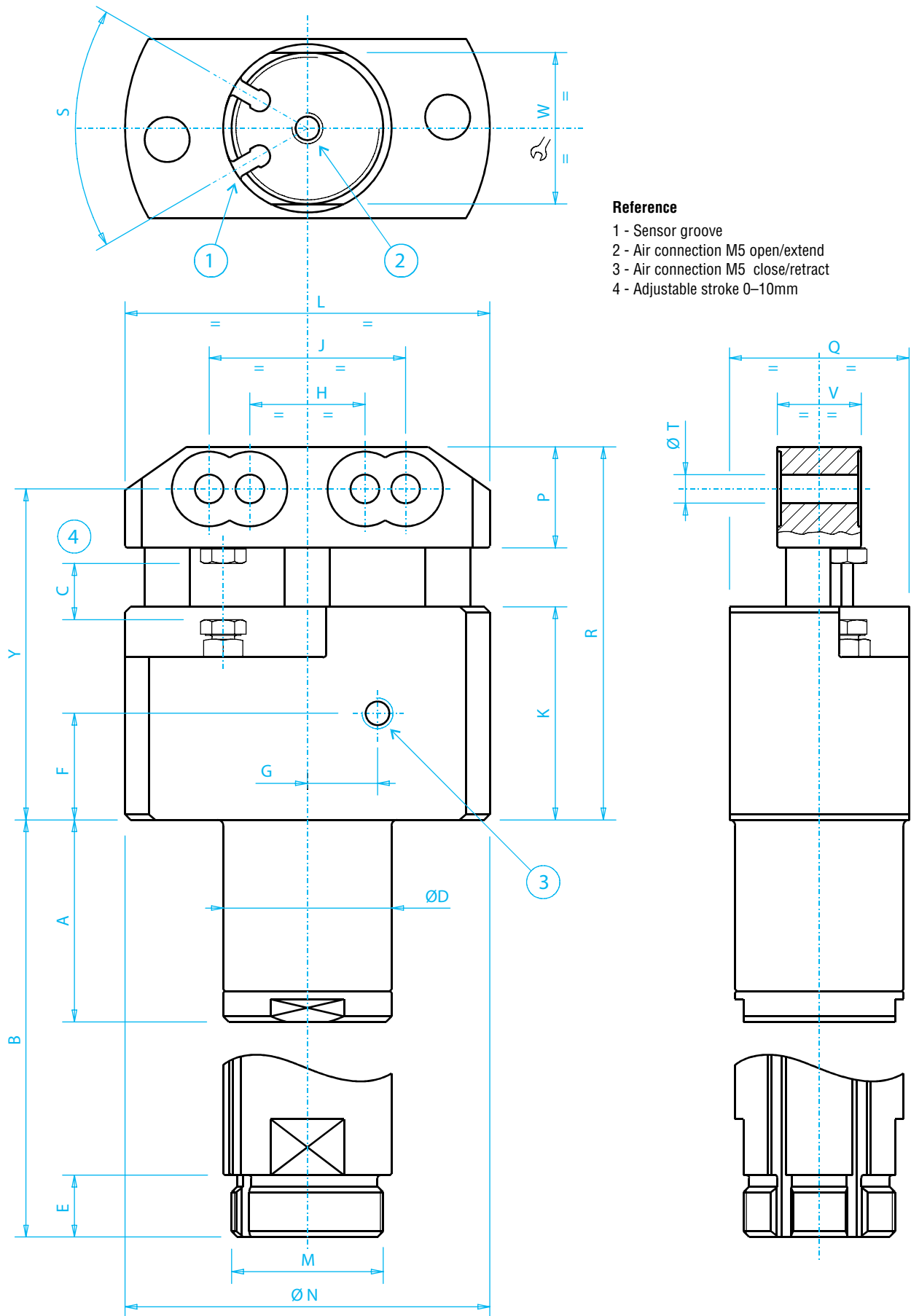
## Sensors

The operating position can be checked by sensors (optional), that detect the magnet on the position inside. Therefore, a nearby large mass of ferromagnetic material or intense magnetic fields may cause sensing troubles.



Quick#	Part#	Type	Connection	Price
<b>3-wire, SS type 'C' slot sensor</b>				
1882	SS4N225G	PNP	2.5m long lead	\$27.20
1883	SS4M225G	NPN	2.5m long lead	\$27.20
6282	SS3N203G	PNP	w/ M8 connector 0.3m long	\$31.16
1884	SS3M203G	NPN	w/ M8 connector 0.3m long	\$31.16
<b>3-wire, 90° Lead exit, SN type 'C' slot sensor</b>				
6278	SN4N225G	PNP	2.5m long lead	\$27.20
6357	SN4M225G	NPN	2.5m long lead	\$27.20
6277	SN3N203G	PNP	w/ M8 connector 0.3m long	\$31.16
6356	SN3M203G	NPN	w/ M8 connector 0.3m long	\$31.16

# ZG Nipper Slide Dimensions



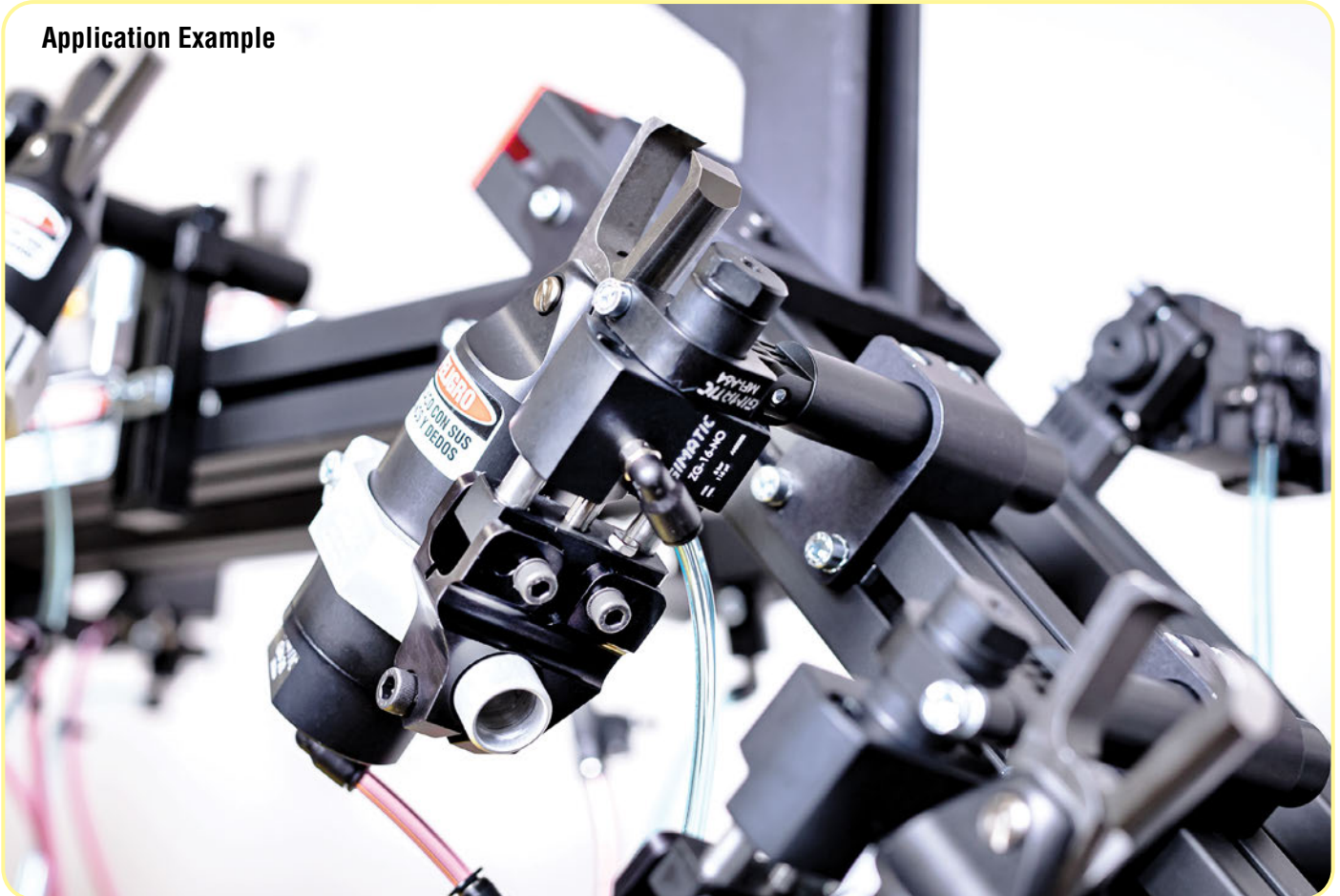
**Reference**

- 1 - Sensor groove
- 2 - Air connection M5 open/extend
- 3 - Air connection M5 close/retract
- 4 - Adjustable stroke 0-10mm

## ZG Nipper Slide Dimensions

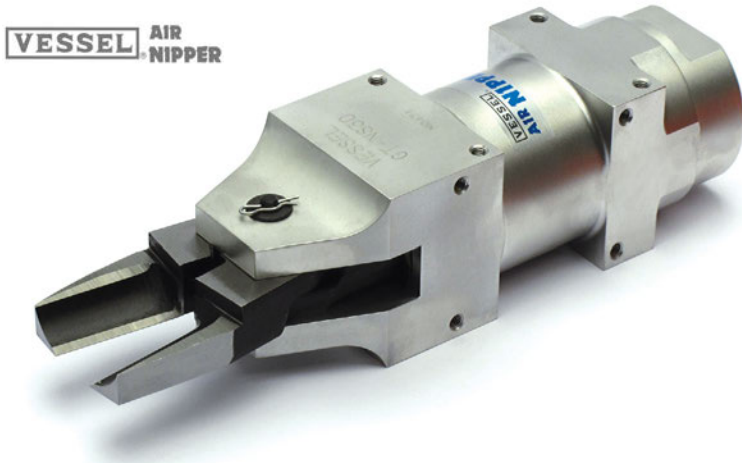
	ZG-16...	ZG-16S...	ZG-25...	ZG-25S...
A	29	/	36	/
B	/	63	/	78.5
C	10 max	10 max	10 max	10 max
D	Ø20	Ø20	Ø30	Ø30
E	/	8	/	11
F	17	17	19	19
G	6	6	12.5	12.5
H	20.5	20.5	20.5	20.5
J	/	/	35	35
K	31	31	38	38
L	50	50	65	65
M	/	M17x1	/	M27x1
N	Ø50	Ø50	Ø65	Ø65
P	18	18	18	18
Q	25	25	32	32
R	59.5	59.5	66.5	66.5
S	/	80°	/	60°
T	Ø5.1	Ø5.1	Ø5.1	Ø5.1
V	15	15	15	15
W	17	17	27	27
Y	52	52	59	59

### Application Example





# NS Nippers



## Square Mounting Surfaces

The square mounting surfaces of these Vessel® nippers allow them to be easily mounted to an EOAT or to a degating station. Air ports on both the bottom and sides of the nipper body allow a wide choice of positioning options.

Single-acting, spring return and reset allows simple valving.

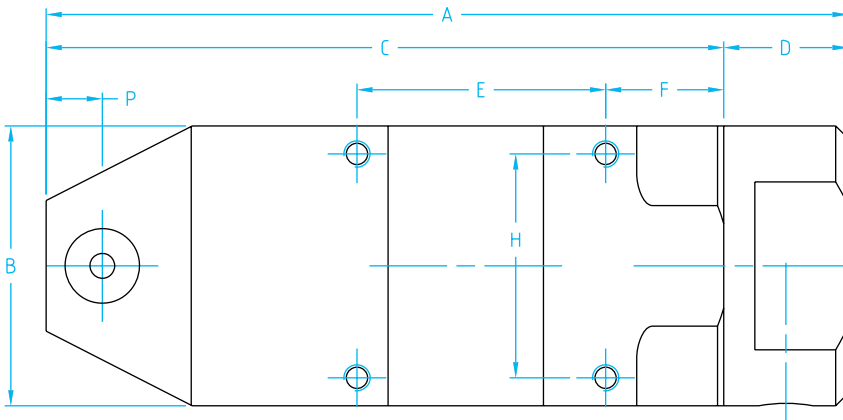
NS Standard Nippers - (Order blades separately)

Quick#	Part#	Price	Sprue Ø Cut	A	Body (Square)	Cutting Pressure	Working Air Pressure	Air Port	Weight
1484	GSN-NS5	\$238.00	2mm	94	30	88 lbf	57-71 psi	R1/8"	148g
1485	GSN-NS10L	\$267.00	4mm	113	36	132 lbf	57-85 psi	R1/8"	230g
1486	GSN-NS20	\$337.00	7mm	129	45	308 lbf	71-85 psi	R1/8"	390g
1487	GSN-NS30	\$399.00	10mm	170	56	617 lbf	71-85 psi	R1/8"	705g

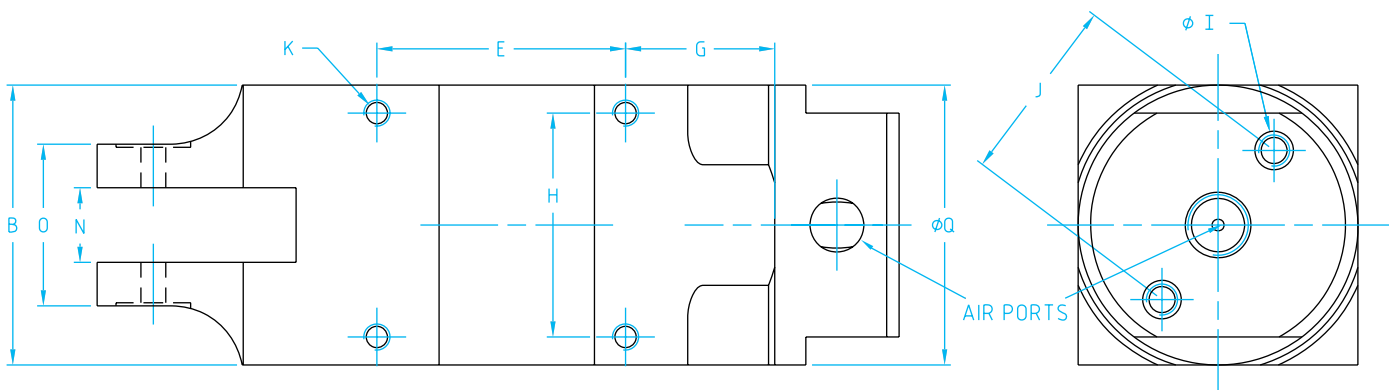


NS Standard Nippers - dimensions

Quick#	Part#	A	B	C	D	E	F	G	H	I	J	K	N	O	P	ØQ
1484	GSN-NS5	94	30	74	20	30	14	19	24	M4x10	20	M3x5	7	23	7	30
1485	GSN-NS10L	113	36	93	20	30	18	23	28	M4x10	24	M4x5	12	26	7	36
1486	GSN-NS20	129	45	109	20	40	19	24	36	M4x12	30	M4x7	12	26	9	45
1487	GSN-NS30	170	56	150	20	60	20	30	46	M6x12	40	M5x10	17	36	15	56



**Note: Rotating end cap can change the orientation of the air inlet port.**



**MS Nippers**

**Square Mounting Surfaces**

The square mounting surfaces of these Nile® nippers allow them to be easily mounted to an EOAT or to a degating station. Air ports on both the bottom and sides of the nipper body allow a wide choice of positioning options.

Single-acting, spring return and reset allows simple valving.



MS Nippers - (Order blades separately)

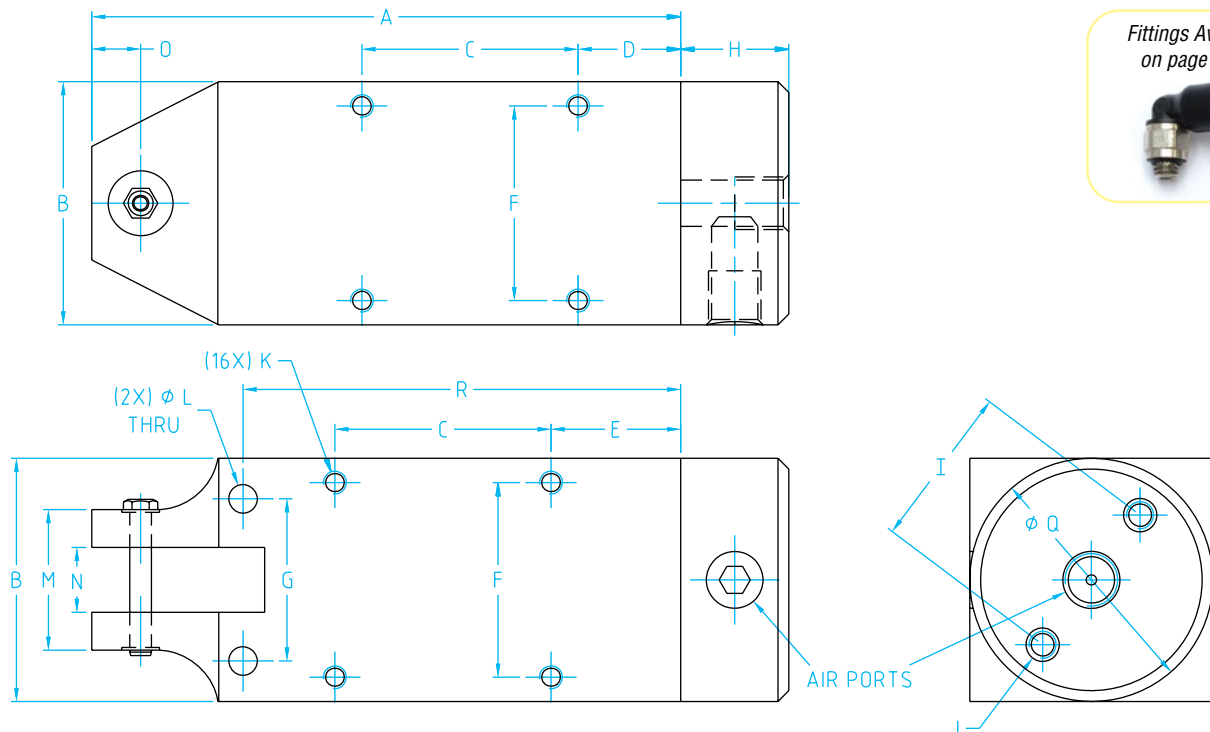
Quick#	Part#	Price	Sprue Ø Cut	A	Body (Square)	Cutting Pressure	Working Air Pressure	Port	Weight
1670	GSN-MS-5	\$181.00	2mm	74	30	88 lbf	57-71 psi	G1/8"	160g
1671	GSN-MS-10	\$164.50	4mm	93	36	132 lbf	57-71 psi	G1/8"	260g
1672	GSN-MS-20	\$217.00	7mm	109	45	308 lbf	71-85 psi	G1/8"	430g
1673	GSN-MS-30	\$277.00	10mm	150	56	617 lbf	71-85 psi	G1/8"	810g

Order Blades Separately  
See pages 858-890.



MS Nippers - dimensions

Quick#	Part#	A	B	C	D	E	F	G	H	I	J	K	L	M	N	O	ØQ	R
1670	GSN-MS-5	74	30	30	14	19	24	20	20	20	M4x10	M3x6	4.3	20	7	7	30	55
1671	GSN-MS-10	93	36	30	18	23	28	28	20	24	M4x10	M4x6	4.3	20	9	7	36	65
1672	GSN-MS-20	109	45	40	19	24	36	30	20	30	M5x12	M4x8	5.3	26	12	9	45	81
1673	GSN-MS-30	150	56	60	20	30	46	40	20	40	M6x12	M5x11	5.3	36	17	15	56	110



Fittings Available  
on page 1043



# Double-Acting Nippers



## Double-Acting Nippers

### Double-Acting Nippers –

Positive open, positive close, double-acting nippers provide the highest reliability with minimal downtime.

Double-Acting Nippers - (Order blades separately)

Quick#	Part#	Price	Sprue Ø Cut	A	Body (Square)	Cutting Pressure	Working Air Pressure	Port	Weight
1818	GSN-MS-5V	\$289.00	2mm	92	30	88 lbf	57-71 psi	M5	185g
1819	GSN-MS-10V	\$297.00	4mm	116	36	132 lbf	57-71 psi	R1/8"	345g
1820	GSN-MS-20V	\$359.00	7mm	147	45	308 lbf	71-85 psi	R1/8"	650g
1821	GSN-MS-30V	\$529.00	10mm	185	56	617 lbf	71-85 psi	R1/8"	1150g

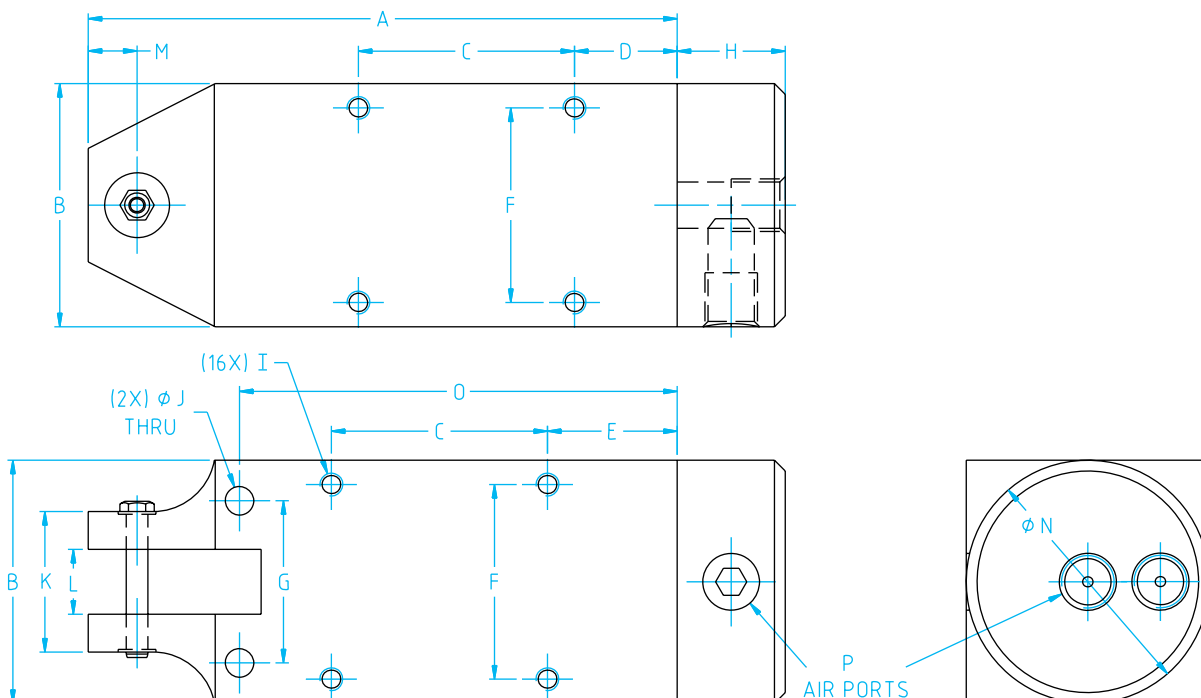
Order Blades Separately  
See pages 858-890.



Double-Acting Nippers - dimensions

Quick#	Part#	A	B	C	D	E	F	G	H	I	J	K	L	M	N	O	P
1818	GSN-MS-5V	92	30	30	32	37	24	20	18	M3x6.5	4.3	20	7	7	30	72	M5
1819	GSN-MS-10V	116	36	30	41	46	28	28	23	M4x6.5	4.3	20	9	7	36	88	G1/8"
1820	GSN-MS-20V	147	45	40	57	62	36	30	31	M4x8	5.3	26	12	9	45	119	G1/8"
1821	GSN-MS-30V	185	56	60	55	65	46	40	33	M5x11	5.3	36	17	15	56	145	G1/8"

Fittings Available  
on page 1043



## Double-Acting Nippers & Intensifiers

### Double-Acting Nippers

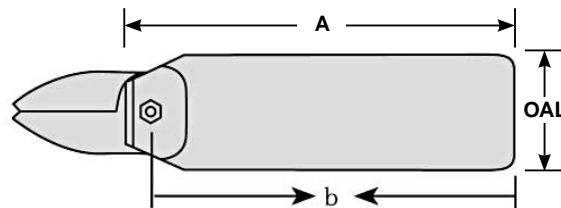


**Double-Acting Nippers** – Positive open, positive close, double-acting nippers eliminate the piston spring to provide the highest reliability with minimal downtime.

*Note: Standard blades do not work with these double-acting Nippers. Use blades listed on this page.*

#### Double-Acting Nipper BLADES

Quick#	Part#	Price	Style
1810	GSN-NW10-AJ	\$203.00	AJ
1811	GSN-NW20-AJ	\$280.00	AJ
1812	GSN-NW30-AJ	\$373.00	AJ



#### Double-Acting Nipper BODIES

Quick#	Part#	Price	Sprue Ø Cut	A	ØD	B	Cutting Pressure	Working Air Pressure	Air Port	Weight
692	GSN-NWR10	\$380.00	4mm	153	36	146	132 lbf	57–85 psi	ø4mm	280g
693	GSN-NWR20	\$567.00	7mm	174	45	165	308 lbf	71–85 psi	ø6mm	523g
694	GSN-NWR30	\$668.00	10mm	226	56	216	617 lbf	71–85 psi	ø6mm	980g

## Intensifiers for Single-Acting Nippers

Intensifiers (Pressure Boosters) are an ideal supplement for facilities with low air pressure, or for cutting applications requiring extra power.

Assembly is easy; simply unscrew the end cap from the standard nipper body, screw the intensifier on, then screw the end cap back on. Fits Vessel nippers only.

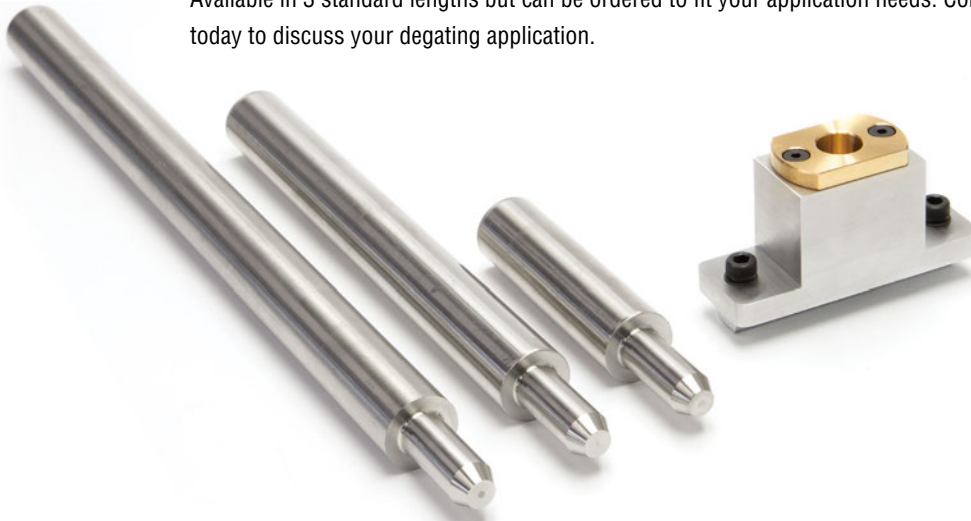


Part# (Intensifier only)	Quick#	Price	Recommended for use with:	OAL of Booster	Body Dia.	Weight	Air Con Cm <sup>3</sup> /Stroke	Applied Force (lbf)	Cutting Capacity Ø (mm)	
									Plastic	Hard Plastic
GSN-P10L	5215	\$127.00	#603, #1485	71	36	115g	223	221	5.0	4.0
GSN-P20	5216	\$161.00	#2312, #606, #1486	87	45	215g	508	507	8.0	6.0
GSN-P30	5217	\$203.00	#2280, #611, #1487	92	56	330g	956	992	13.0	7.0
GSN-P50	2328	\$431.00	#2325, #699, #2342	133	75	840g	2,670	1,742		

## Degating Alignment Pins & Bushings

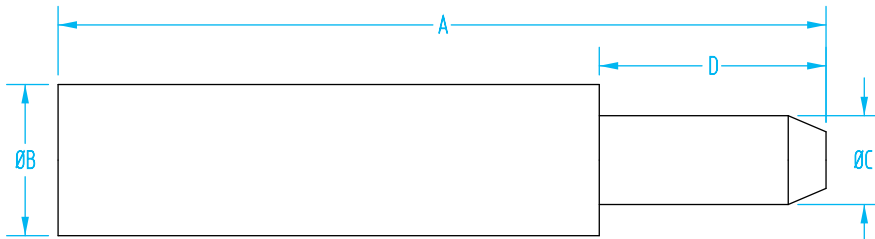
Alignment pins and bushings are a great help in providing the accuracy required for most degating applications.

Available in 3 standard lengths but can be ordered to fit your application needs. Contact EMI today to discuss your degating application.

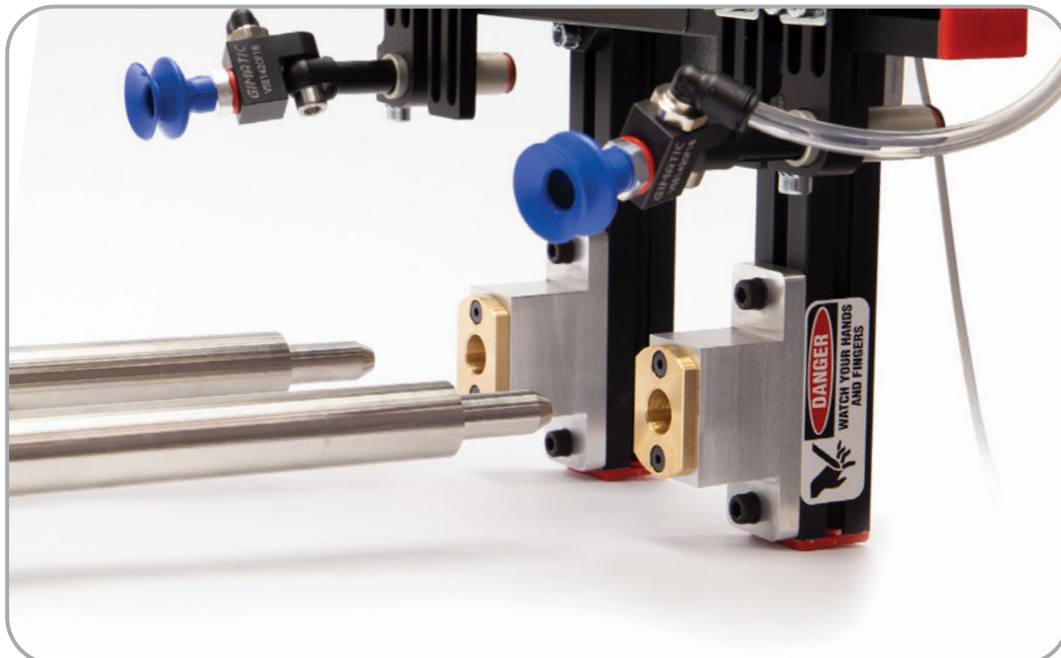


Alignment Pins

Quick#	Part#	Price	Description
2970	GSC-20100-A	\$40.29	20mm Dia. 100mm Long Stainless Steel Alignment Pin
2971	GSC-20200-A	\$42.76	20mm Dia. 200mm Long Stainless Steel Alignment Pin
2972	GSC-20300-A	\$51.44	20mm Dia. 300mm Long Stainless Steel Alignment Pin



Quick#	A	B	C	D
2970	101.6	20	11.8	30
2971	203.2	20	11.8	30
2972	304.8	20	11.8	30



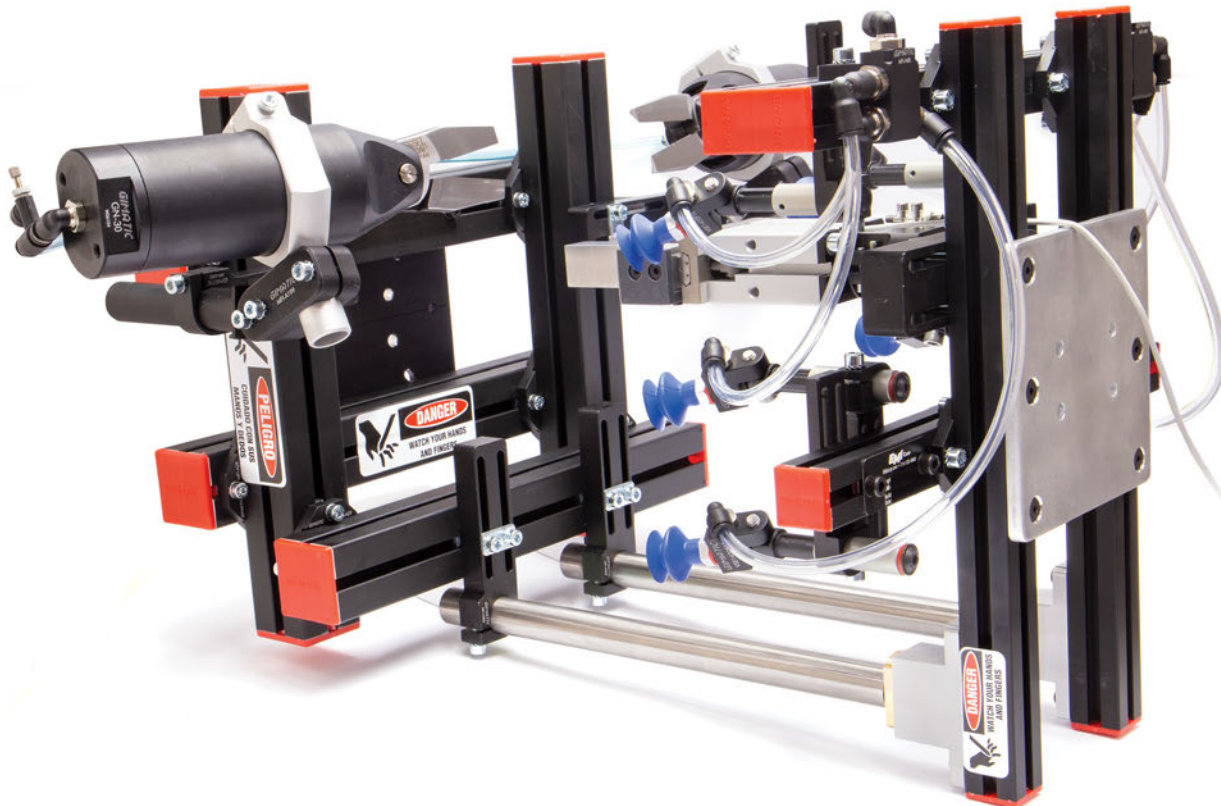
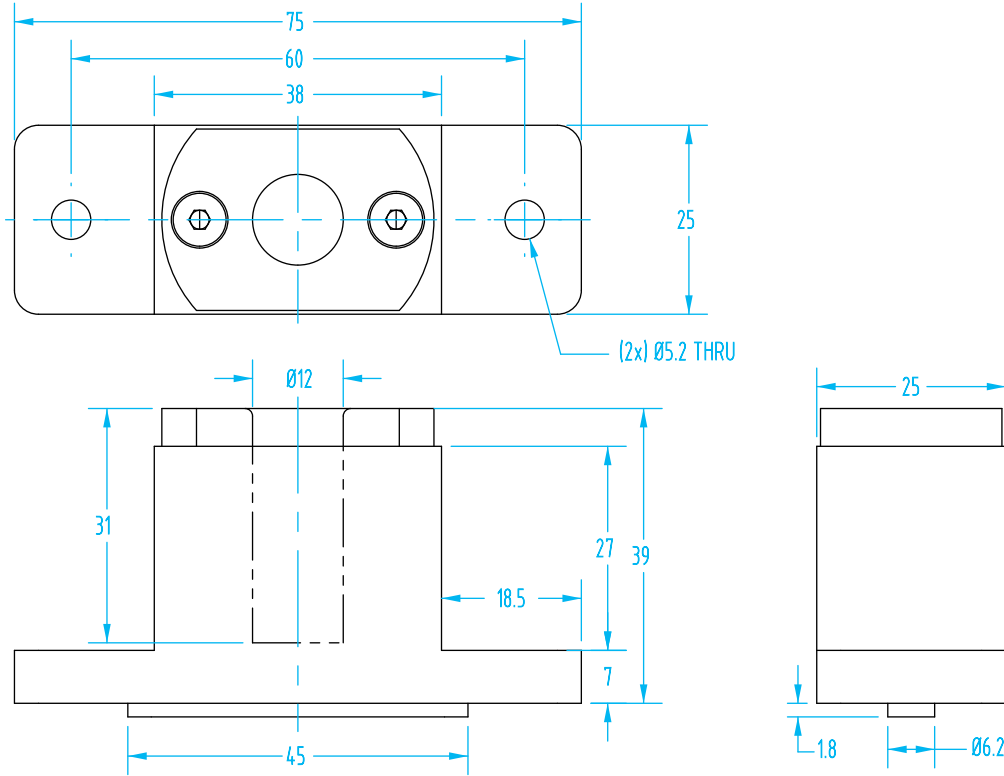


# Degating Alignment Pins & Bushings

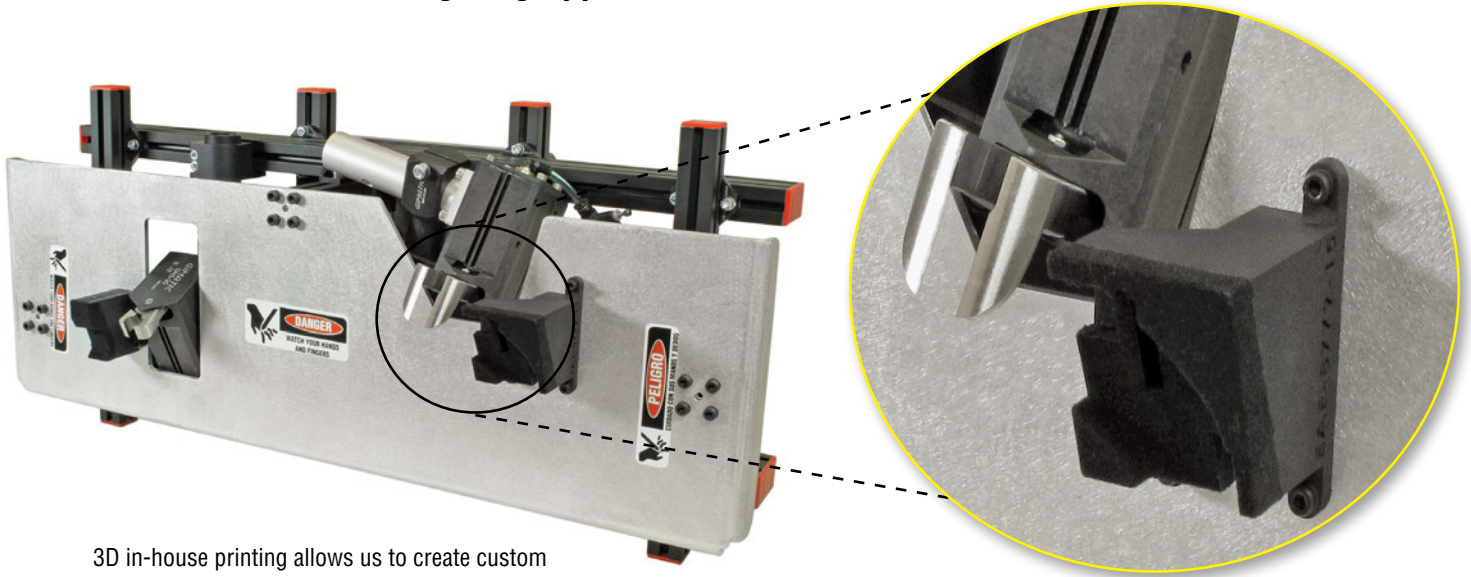
**Alignment Bushing**

Quick#	Part#	Price	Description
2969	GSC-20ABB-B	\$71.55	Alignment Bushing Bracket with Bronze Bushing & Flange

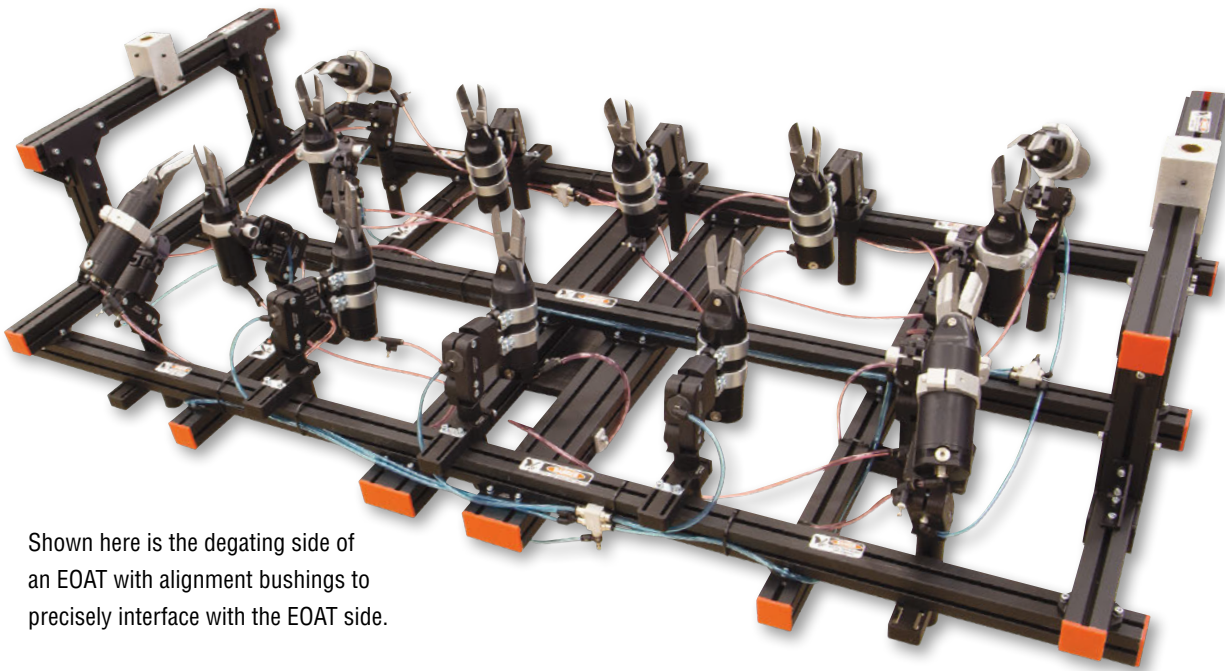
*Fasteners Included.*



## Contact EMI for All Your Degating Applications



3D in-house printing allows us to create custom and cost effective nests for parts, enabling precise degating! Fiber-lined nests are used here for a soft-touch interface.



Shown here is the degating side of an EOAT with alignment bushings to precisely interface with the EOAT side.

### Degate Stand Price Examples

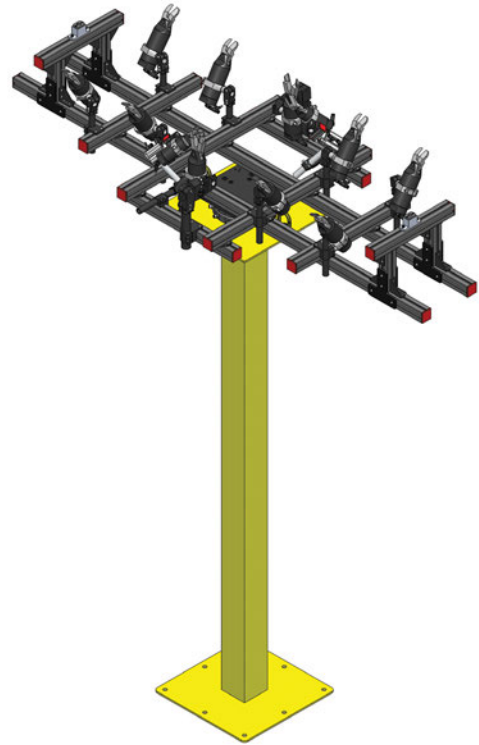
Stand Type	Total US\$
1m Profile Floor Mounted	\$1,319.75
1m Profile With Castors	\$1,478.43
1m Welded & Floor Mounted	\$1,250.00
2m Profile Floor Mounted	\$1,420.29
2m Profile With Castors	\$1,577.98
2m Welded & Floor Mounted	\$1,350.00

\*Castors available, Call EMI for pricing.

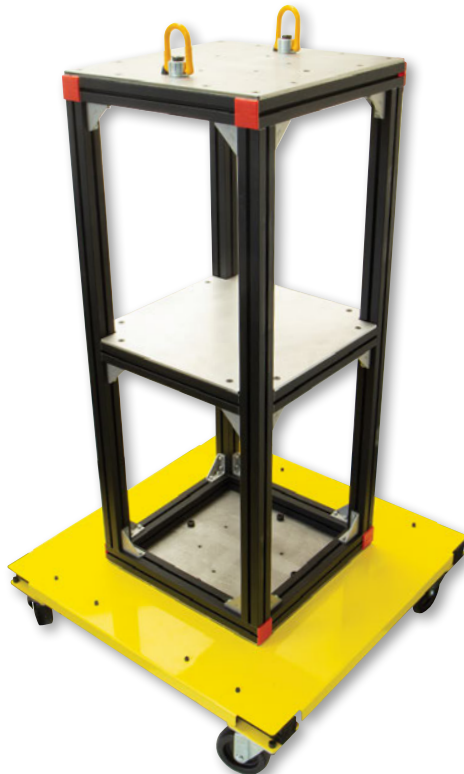
\*\*Pricing listed is for stands only, quick changers, lifting rings and other accessories are sold separately.

## Welded and Profile Frame Degate Stands

Manufactured in our Jackson Center, Ohio facility, these powder-coated degate stands can be custom painted per your specifications. These are completely modular and can include: quick changers, lifting hoist rings, and through holes for floor mounting.



Profile based degate stands are another option from EMI. These are also modular and can include: quick changers, lifting hoist rings, and a mobile stand with locking castors.





## Blade Brands

Only EMI gives you this wide of a selection of in-stock blade brands. Mix and match blade brands with nipper body brands to best suit your application. Check out all the alternatives!

Or call our EOAT engineering department for assistance.



**Swanstrom  
Tools USA**

- Very good quality at a competitive cost
- Set-screw mechanical stops are pre-set at the factory ensuring proper blade pressure for a clean, flush cut and long blade life.
- Should the blade need reshaping, the mechanical stop screw can be reset to allow the resharpened blade to meet original performance specifications.
- Forged blades from high chromium, high carbon alloy steel and hardened to 60-64 HRC.
- Reasonable cost and reasonable lead times for custom and carbide blades.
- Best quality joint of any blade brand, helps reduce the need for sharpening.



**GIMATIC**

- Top quality blades.
- "Benchmark" quality blade.
- Very high initial sharpness. Excellent for harder to cut plastics. May take more maintenance to keep blades sharp.
- Permanent mechanical stops are pre-set at the factory. Should the blade need reshaping, the mechanical stop must be welded and reground to meet original performance specifications. (Higher cost).
- Forged blades from high-speed steel and hardened.
- Very high cost and long lead times for custom and carbide blades.
- A top performing, brand alternative



**VESSEL AIR  
NIPPER**

- Top quality blades
- The "benchmark" quality blade that others are compared to.
- Very high initial sharpness. Excellent for harder to cut plastics. May take more maintenance to keep blades sharp.
- Permanent mechanical stops are pre-set at the factory. Should the blade need reshaping, the mechanical stop must be reground to meet original performance specifications.
- Forged blades from high speed steel and hardened.
- Very high cost and long lead times for custom and carbide blades.



**nile air tools**

- A good, basic quality blade at a competitive cost.
- Blade sharpness has an initial tendency to be more blunt compared to other blades; however, this design will stay sharper longer when other initially sharper blades lose their sharpness. Good for general purpose plastics.
- Mechanical stops are at the crotch of the blade which ensures a very precise stop, preventing blade bypass and overlap. Should the blade need reshaping, the mechanical stop can usually be hand honed to meet original performance specifications. (Moderate cost).
- Forged blades from high-speed steel and hardened.
- Very long lead times for custom blades.



# Nipper / Blade Compatibility



**Nipper / Blade Interchangeability:**

		Blade Brand			
		Vessel	Swanstrom	Gimatic	Nile
<b>Nipper Brand &amp; Size</b>	<b>Size 5 (nippers)</b>	<b>Size 5 (Blades) see page 860</b>			
	Vessel	✓	✓	✓	✓
	Gimatic	✓	✓	✓	✓
	Swanstrom	✓	✓	✓	✓
	Nile	x	x	x	x
	OEM	✓	✓	✓	✓
	<b>Size 10 (nippers)</b>	<b>Size 10 (Blades) see page 864</b>			
	Vessel	✓	✓	✓	x
	Gimatic	✓	✓	✓	x
	Swanstrom	✓	✓	✓	x
Nile	x	x	x	✓	
OEM	✓	✓	✓	x	
<b>Size 20 (nippers)</b>	<b>Size 20 (Blades) see page 870</b>				
Vessel	✓	✓	✓	✓	
Gimatic	✓	✓	✓	✓	
Swanstrom	✓	✓	✓	✓	
Nile	✓	✓	✓	✓	
OEM	✓	✓	✓	✓	
<b>Size 30 (nippers)</b>	<b>Size 30 (Blades) see page 880</b>				
Vessel	✓	✓	✓	✓	
Gimatic	✓	✓	✓	✓	
Swanstrom	✓	✓	✓	✓	
Nile	✓	✓	✓	✓	
OEM	✓	✓	✓	✓	
<b>Size 50 (nippers)</b>	<b>Size 30 (Blades) see page 892</b>				
Vessel	x	x	x	x	
Gimatic	✓	✓	✓	✓	
Swanstrom	✓	✓	✓	✓	
Nile	✓	✓	✓	✓	
<b>Size 50 (nippers)</b>	<b>Size 50 (Blades)</b>				
Vessel	call for availability				
Gimatic					
Swanstrom					
Nile					



## Size 5 Blades

Blade	Part#	Price	Style	Brand	Page	#2053 Blade Cover Compatibility	Nipper Body				Wt.
							Vessel 5	Gimatic 5	Swanstrom 5	OEM 5	
							Tip to Tip Opening (mm)*				
602	GSN-N5-AP	\$78.00	Std. Angle	Vessel	861	✓	3	3	3.5	3	32g
1002	X-5-ST	\$61.90	Std. Angle	Swanstrom	861	✓	5	5	5.5	5	34g
5024	GN5AP	\$98.00	Std. Angle	Gimatic	861	✓	3.5	3.5	3.5	3.5	32g
1813	GSN-F1	\$61.50	Std. Angle	Nile	861	✓	3	3	3	3	34g
5025	GN5PF	\$102.00	Deep Angle	Gimatic	862	✓	3.5	3.5	4	3.5	34g
1814	GSN-FD1	\$75.50	Deep Angle	Nile	863	✓	3	3	3.5	3	34g
1003	X-5-LI	\$80.25	Inline	Swanstrom	862	✓	6	6	6.5	6	40g
5023	GN5AJ	\$113.00	Inline	Gimatic	862	✓	5	5	5.5	5	32g
1035	X-05-OS	\$368.00	Offset	Swanstrom	863	✗	7	7	7.5	7	50g
1036	X-05-OR	\$404.00	Offset	Swanstrom	863	✗	7	7	7.5	7	50g
1044	X-05-SI	\$71.22	Inline	Swanstrom	862	✓	5.5	5.25	5.5	5.25	32g

\*Note: Tip-to-tip opening dimensions are approximate and can vary from blade to blade because blades are hand finished.

Carbide and Custom blades are available, call EMI

### Gimatic Blade Styles:



Style PF



Style AP



Style AJ

### Gimatic Blade Covers:

- Gimatic blades include protective blade covers, if you need additional covers they are listed here.
- Cover snaps into profile for storage, and ring can be used for zip-ties.



Gimatic Size 5 Blade Covers

Quick#	Part#	Price
6085	COJ05	\$2.07

### Universal Blade Covers:

- Provides protection without compressing the nipper blade's spring.
- See reference chart above for compatibility.

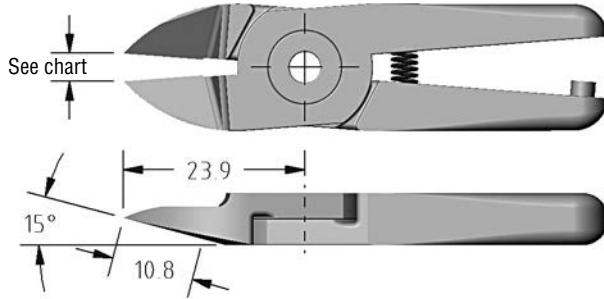


Universal Size 5 Blade Covers

Quick#	Part#	Price
2053	GSN-BC-05	\$4.97

**Size 5 Blades**

(Dimensioned drawings shown full scale)

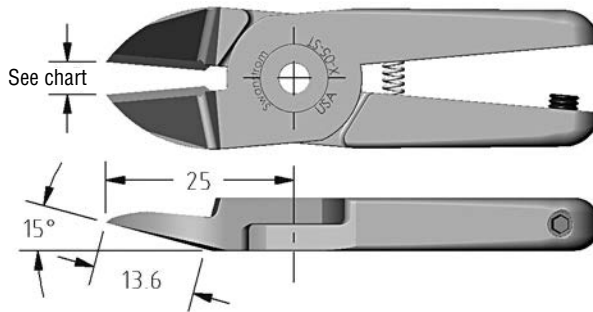


Vessel

Quick#	Part#	Price	Ø Sprue	Wt.
602	GSN-N5-AP	\$78.00	2mm	32g
Replacement Spring				
1281	SPR-01	\$1.90		

Size 5 Nipper Body Tip to Tip Opening\*

Vessel	Gimatic	Swanstrom	OEM
3mm	3mm	3.5mm	3mm

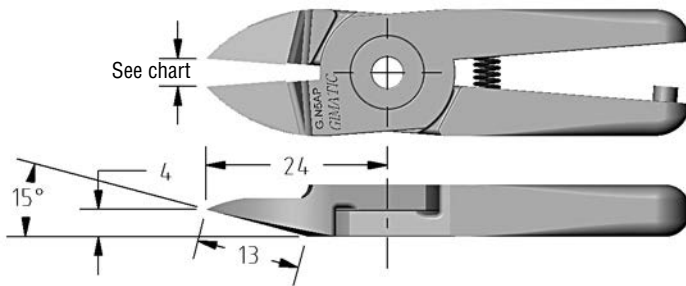


Swanstrom

Quick#	Part#	Price	Ø Sprue	Wt.
1002	X-5-ST	\$61.90	2mm	34g
Replacement Spring				
1095	GSN-SP-002	\$0.55		

Size 5 Nipper Body Tip to Tip Opening\*

Vessel	Gimatic	Swanstrom	OEM
5mm	5mm	5.5mm	5mm

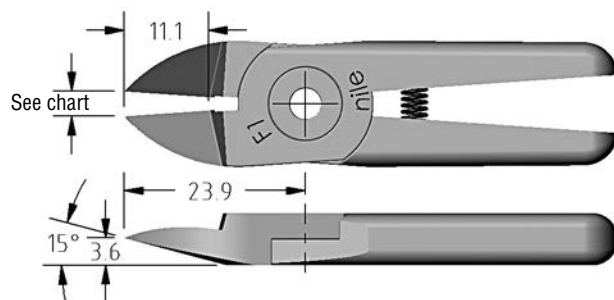


Gimatic

Quick#	Part#	Price	Ø Sprue	Wt.
5024	GN5AP	\$98.00	2mm	32g
Replacement Spring				
1281	SPR-01	\$1.90		

Size 5 Nipper Body Tip to Tip Opening\*

Vessel	Gimatic	Swanstrom	OEM
3.5mm	3.5mm	3.5mm	3.5mm



Nile

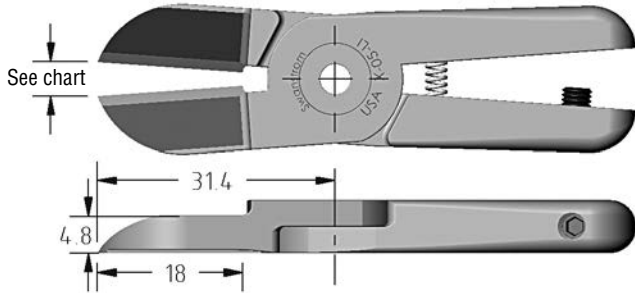
Quick#	Part#	Price	Ø Sprue	Wt.
1813	GSN-F1	\$61.50	2mm	34g
Replacement Spring				
2314	NILE-SP1	\$2.09		

Size 5 Nipper Body Tip to Tip Opening\*

Vessel	Gimatic	Swanstrom	OEM
3mm	3mm	3mm	3mm

### Size 5 Blades

(Dimensioned drawings shown full scale)

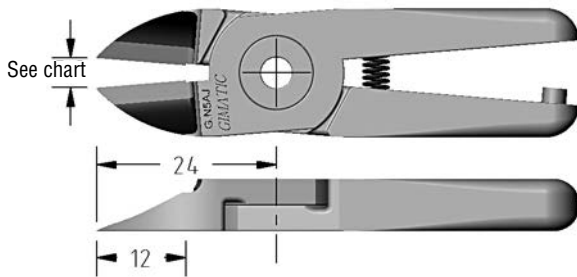


Swanstrom

Quick#	Part#	Price	Ø Sprue	Wt.
1003	X-5-LI	\$80.25	2mm	40g
Replacement Spring				
1095	GSN-SP-002	\$0.55		

Size 5 Nipper Body Tip to Tip Opening\*

Vessel	Gimatic	Swanstrom	OEM
6mm	6mm	6.5mm	6mm

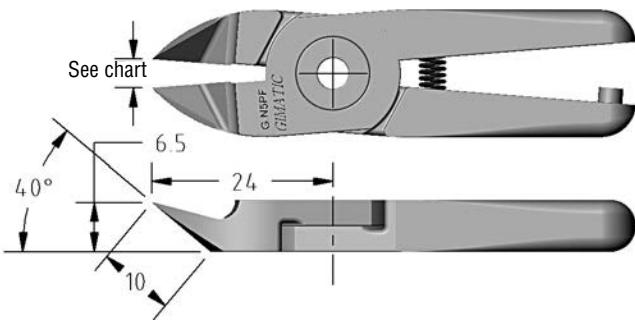


Gimatic

Quick#	Part#	Price	Ø Sprue	Wt.
5023	GN5AJ	\$113.00	2mm	32g
Replacement Spring				
1281	SPR-01	\$1.90		

Size 5 Nipper Body Tip to Tip Opening\*

Vessel	Gimatic	Swanstrom	OEM
5mm	5mm	5.5mm	5mm

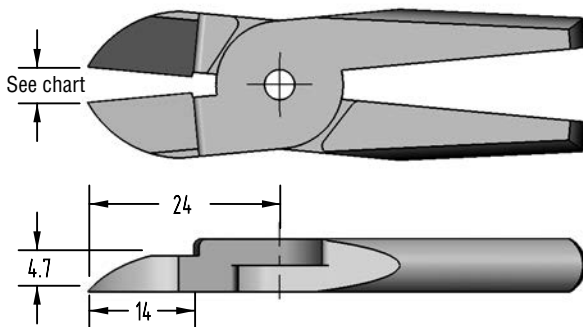


Gimatic

Quick#	Part#	Price	Ø Sprue	Wt.
5025	GN5PF	\$102.00	2mm	34g
Replacement Spring				
1281	SPR-01	\$1.90		

Size 5 Nipper Body Tip to Tip Opening\*

Vessel	Gimatic	Swanstrom	OEM
3.5mm	3.5mm	4mm	3.5mm



Swanstrom

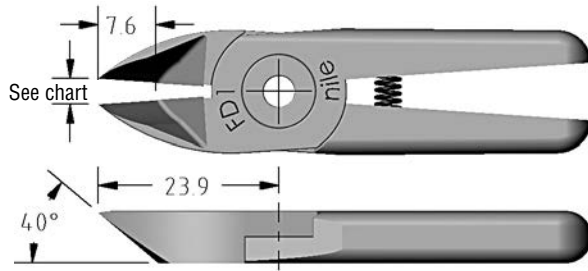
Quick#	Part#	Price	Ø Sprue	Wt.
1044	X-05-SI	\$71.22	2mm	32g
Replacement Spring				
1095	GSN-SP-002	\$0.55		

Size 5 Nipper Body Tip to Tip Opening\*

Vessel	Gimatic	Swanstrom	OEM
5.5mm	5.25mm	5.5mm	5.25mm

**Size 5 Blades**

(Dimensioned drawings shown full scale)

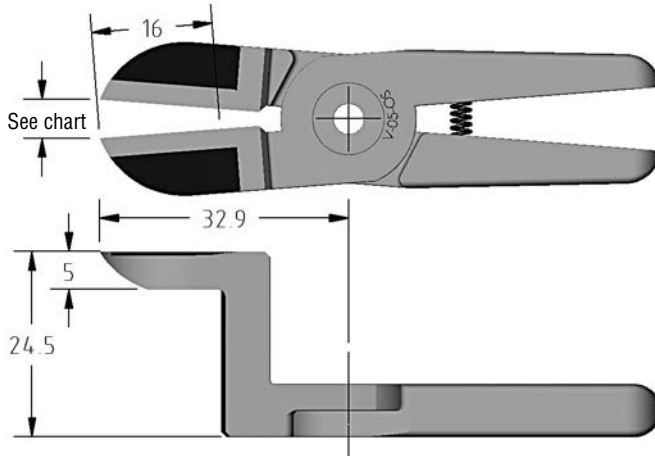


Nile

Quick#	Part#	Price	Ø Sprue	Wt.
1814	GSN-FD1	\$75.50	2mm	34g
Replacement Spring				
2314	NILE-SP1	\$2.09		

Size 5 Nipper Body Tip to Tip Opening\*

Vessel	Gimatic	Swanstrom	OEM
3mm	3mm	3.5mm	3mm

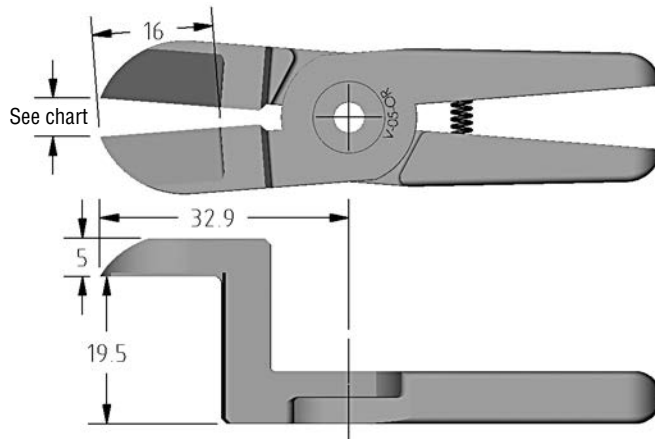


Swanstrom

Quick#	Part#	Price	Ø Sprue	Wt.
1035	X-05-OS	\$368.00	3mm	50g
Replacement Spring				
1095	GSN-SP-002	\$0.55		

Size 5 Nipper Body Tip to Tip Opening\*

Vessel	Gimatic	Swanstrom	OEM
7mm	7mm	7.5mm	7mm



Swanstrom

Quick#	Part#	Price	Ø Sprue	Wt.
1036	X-05-OR	\$404.00	3mm	50g
Replacement Spring				
1095	GSN-SP-002	\$0.55		

Size 5 Nipper Body Tip to Tip Opening\*

Vessel	Gimatic	Swanstrom	OEM
7mm	7mm	7.5mm	7mm

Use Quick#s for easy online ordering.

## Size 10 Blades

Blade	Part#	Price	Style	Brand	Page	#2054 Blade Cover Compatibility	Nipper Body				Wt.
							Vessel 10	Gimatic 10	Swanstrom 10	OEM 10	
							Tip to Tip Opening (mm) *				
604	GSN-N10L-AP	\$100.00	Std. Angle	Vessel	865	✓	5.5	6	6	6	114g
1004	X-10-ST	\$75.67	Std. Angle	Swanstrom	865	✓	4.5	5	5	5	110g
5027	GN10LAP	\$102.00	Std. Angle	Gimatic	865	✓	5.5	5	4	5	116g
605	GSN-N10L-PF	\$115.00	Deep Angle	Vessel	865	✓	6	6.5	6.5	6.5	112g
1005	X-10-DA	\$89.43	Deep Angle	Swanstrom	866	✓	6.5	7	7	7	112g
5028	GN10LPF	\$134.00	Deep Angle	Gimatic	866	✓	5.5	6	6.5	6	114g
1006	X-10-LI	\$82.56	Inline	Swanstrom	866	✓	8	8.5	9	8.5	122g
1045	X-10-SI	\$89.43	Inline	Swanstrom	867	✓	5.5	6	6	6	117g
5026	GN10LAJ	\$144.00	Inline	Gimatic	866	✓	6	5.5	5.5	5.5	118g
1037	X-10-OS	\$427.00	Offset	Swanstrom	867	✗	8.5	8.5	7.5	8.5	135g
1038	X-10-OR	\$463.00	Offset	Swanstrom	867	✗	9	9	9.5	9	135g

Blade	Part#	Price	Style	Brand	Page	#2054 Blade Cover Compatibility	Nile 10 Nipper Body	Weight
							Tip to Tip Opening (mm) *	
1568	GSN-F3	\$61.50	Std. Angle	Nile	869	✓	5	62g
1569	GSN-FD3	\$66.50	Deep Angle	Nile	869	✓	5	62g

*\*Note: Tip-to-tip opening dimensions are approximate and can vary from blade to blade because blades are hand finished. Carbide and Custom blades are available, call EMI.*

### Gimatic Blade Covers:

- Gimatic blades include protective blade covers, if you need additional covers they are listed here.
- Cover snaps into profile for storage, and ring can be used for zip-ties.



Gimatic Size 10 & 20 Blade Covers

Quick#	Part#	Price
6086	COJ12	\$2.34

### Universal Blade Covers:

- Provides protection without compressing the nipper blade's spring.
- See reference chart above for compatibility.



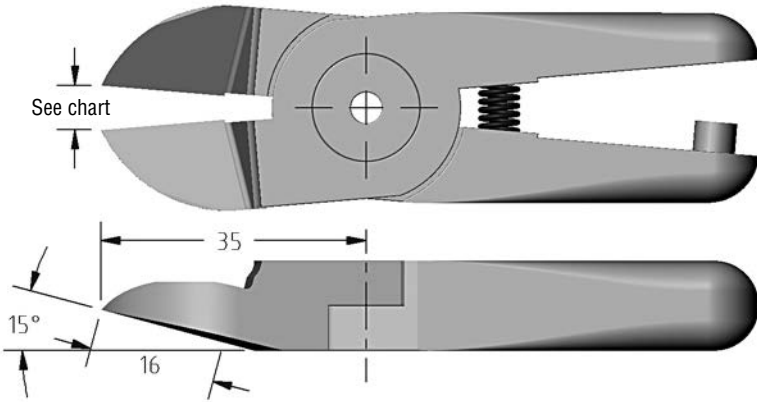
Universal Size 10 Blade Covers

Quick#	Part#	Price
2054	GSN-BC-10	\$6.90



**Size 10 Blades**

(Dimensioned drawings shown full scale)

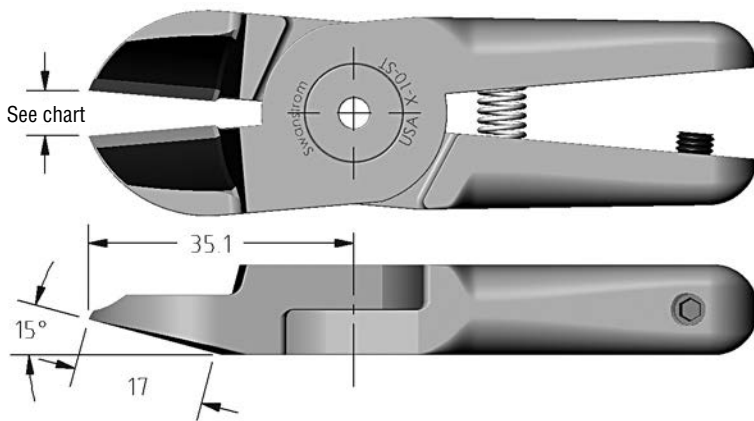


Vessel

Quick#	Part#	Price	Ø Sprue	Wt.
604	GSN-N10L-AP	\$100.00	3mm	114g
Replacement Spring				
1283	SPR-03	\$1.90		

Size 10 Nipper Body Tip to Tip Opening\*

Vessel	Gimatic	Swanstrom	Nile	OEM
5.5mm	6mm	6mm	No	6mm

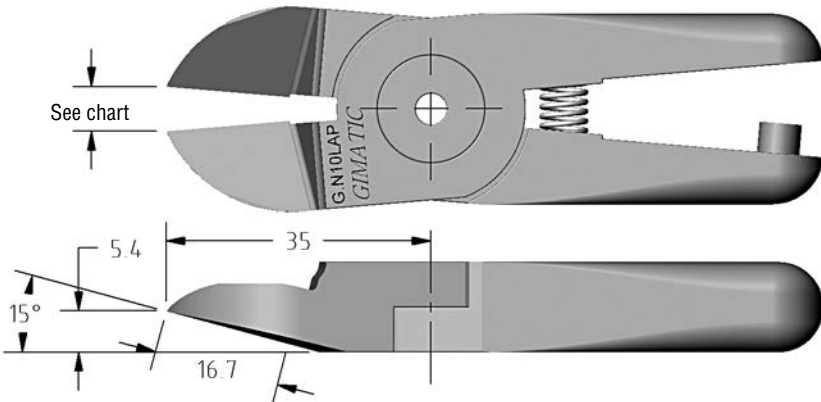


Swanstrom

Quick#	Part#	Price	Ø Sprue	Wt.
1004	X-10-ST	\$75.67	3mm	110g
Replacement Spring				
1099	GSN-SPR-029	\$1.10		

Size 10 Nipper Body Tip to Tip Opening\*

Vessel	Gimatic	Swanstrom	Nile	OEM
4.5mm	5mm	5mm	No	5mm

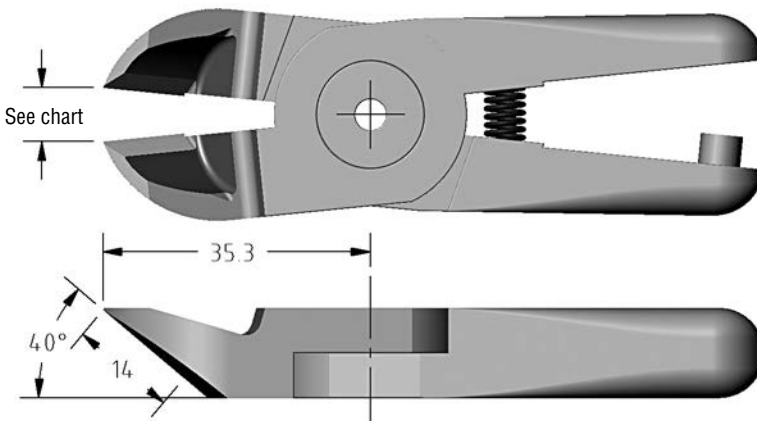


Gimatic

Quick#	Part#	Price	Ø Sprue	Wt.
5027	GN10LAP	\$102.00	3mm	116g
Replacement Spring				
1283	SPR-03	\$1.90		

Size 10 Nipper Body Tip to Tip Opening\*

Vessel	Gimatic	Swanstrom	Nile	OEM
5.5mm	5mm	4mm	No	5mm



Vessel

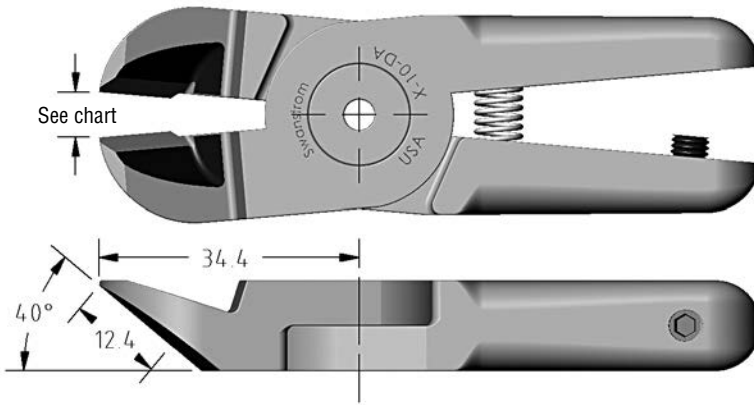
Quick#	Part#	Price	Ø Sprue	Wt.
605	GSN-N10L-PF	\$115.00	4mm	112g
Replacement Spring				
1283	SPR-03	\$1.90		

Size 10 Nipper Body Tip to Tip Opening\*

Vessel	Gimatic	Swanstrom	Nile	OEM
6mm	6.5mm	6.5mm	No	6.5mm

# Size 10 Blades

(Dimensioned drawings shown full scale)

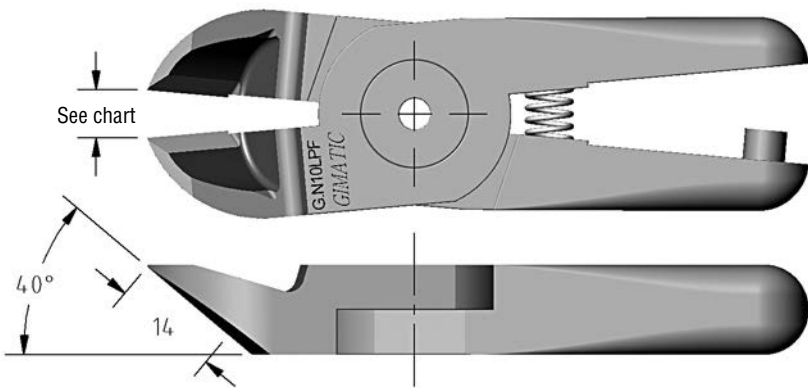


Swanstrom

Quick#	Part#	Price	Ø Sprue	Wt.
1005	X-10-DA	\$89.43	4mm	112g
Replacement Spring				
1099	GSN-SPR-029	\$1.10		

Size 10 Nipper Body Tip to Tip Opening\*

Vessel	Gimatic	Swanstrom	Nile	OEM
6.5mm	7mm	7mm	No	7mm

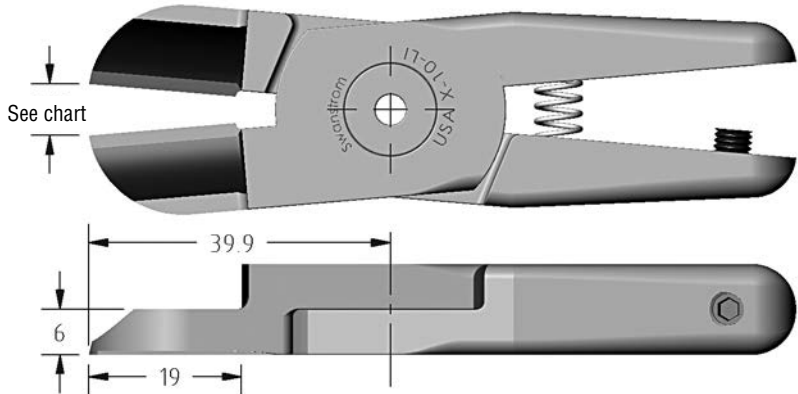


Gimatic

Quick#	Part#	Price	Ø Sprue	Wt.
5028	GN10LPF	\$134.00	4mm	114g
Replacement Spring				
1283	SPR-03	\$1.90		

Size 10 Nipper Body Tip to Tip Opening\*

Vessel	Gimatic	Swanstrom	Nile	OEM
5.5mm	6mm	6.5mm	No	6mm

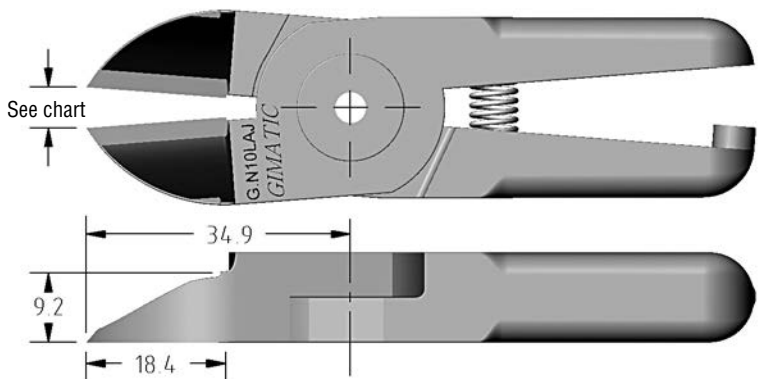


Swanstrom

Quick#	Part#	Price	Ø Sprue	Wt.
1006	X-10-LI	\$82.56	4mm	122g
Replacement Spring				
1099	GSN-SPR-029	\$1.10		

Size 10 Nipper Body Tip to Tip Opening\*

Vessel	Gimatic	Swanstrom	Nile	OEM
8mm	8.5mm	9mm	No	8.5mm



Gimatic

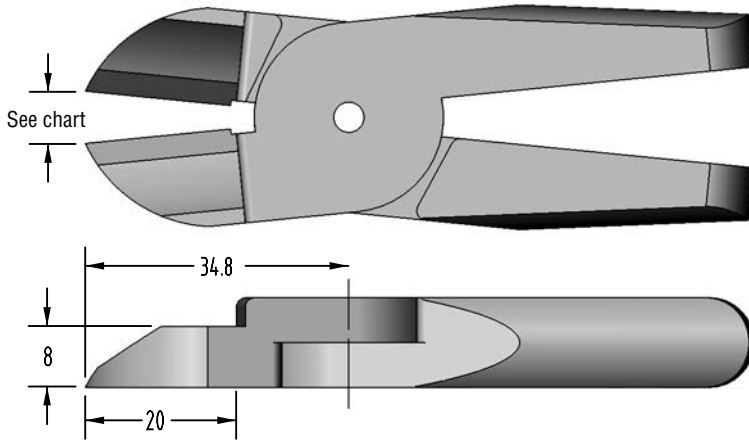
Quick#	Part#	Price	Ø Sprue	Wt.
5026	GN10LAJ	\$144.00	3mm	118g
Replacement Spring				
1283	SPR-03	\$1.90		

Size 10 Nipper Body Tip to Tip Opening\*

Vessel	Gimatic	Swanstrom	Nile	OEM
6mm	5.5mm	5.5mm	No	5.5mm

**Size 10 Blades**

(Dimensioned drawings shown full scale)

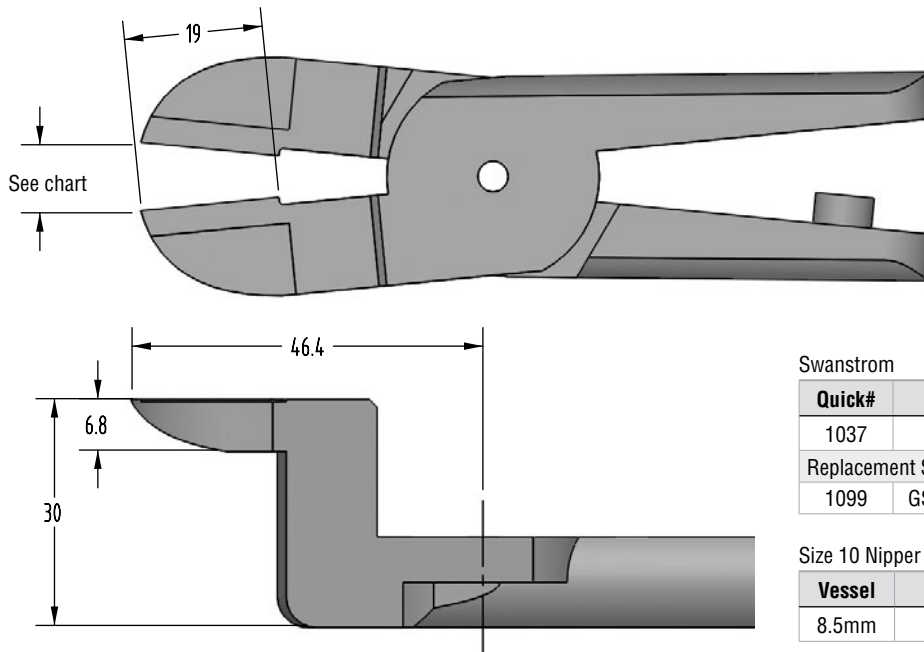


Swanstrom

Quick#	Part#	Price	Ø Sprue	Wt.
1045	X-10-SI	\$89.43	4mm	117g
Replacement Spring				
1099	GSN-SPR-029	\$1.10		

Size 10 Nipper Body Tip to Tip Opening\*

Vessel	Gimatic	Swanstrom	Nile	OEM
5.5mm	6mm	6mm	No	6mm

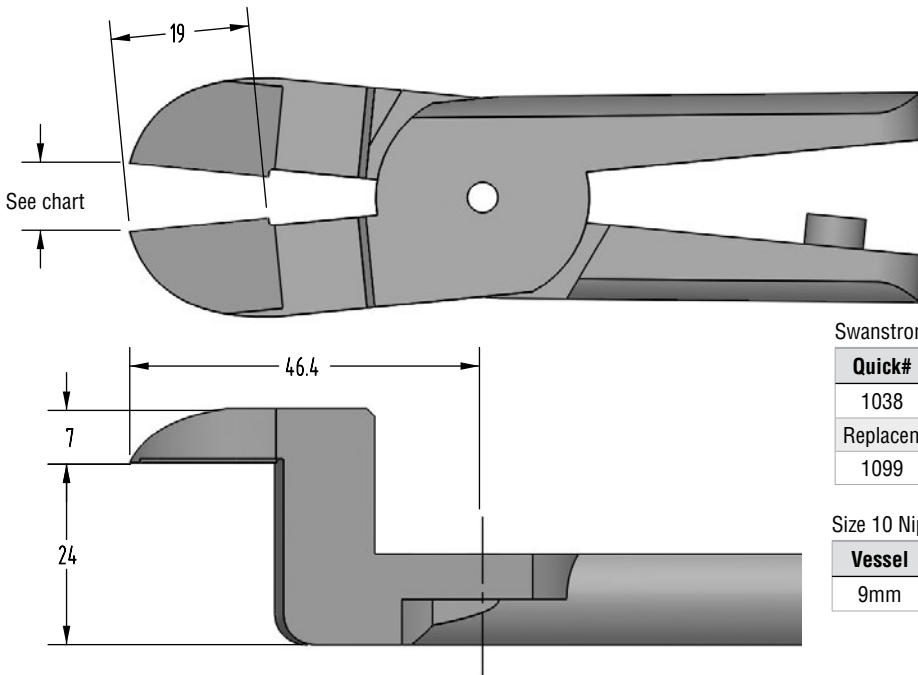


Swanstrom

Quick#	Part#	Price	Ø Sprue	Wt.
1037	X-10-OS	\$427.00	4mm	135g
Replacement Spring				
1099	GSN-SPR-029	\$1.10		

Size 10 Nipper Body Tip to Tip Opening\*

Vessel	Gimatic	Swanstrom	Nile	OEM
8.5mm	8.5mm	7.5mm	No	8.5mm



Swanstrom

Quick#	Part#	Price	Ø Sprue	Wt.
1038	X-10-OR	\$463.00	4mm	135g
Replacement Spring				
1099	GSN-SPR-029	\$1.10		

Size 10 Nipper Body Tip to Tip Opening\*

Vessel	Gimatic	Swanstrom	Nile	OEM
9mm	9mm	9.5mm	No	9mm

# Size 10 High-Power Sprue Jaws (JGW & JGN) for Vessel, Gimatic & Swanstrom Bodies Only

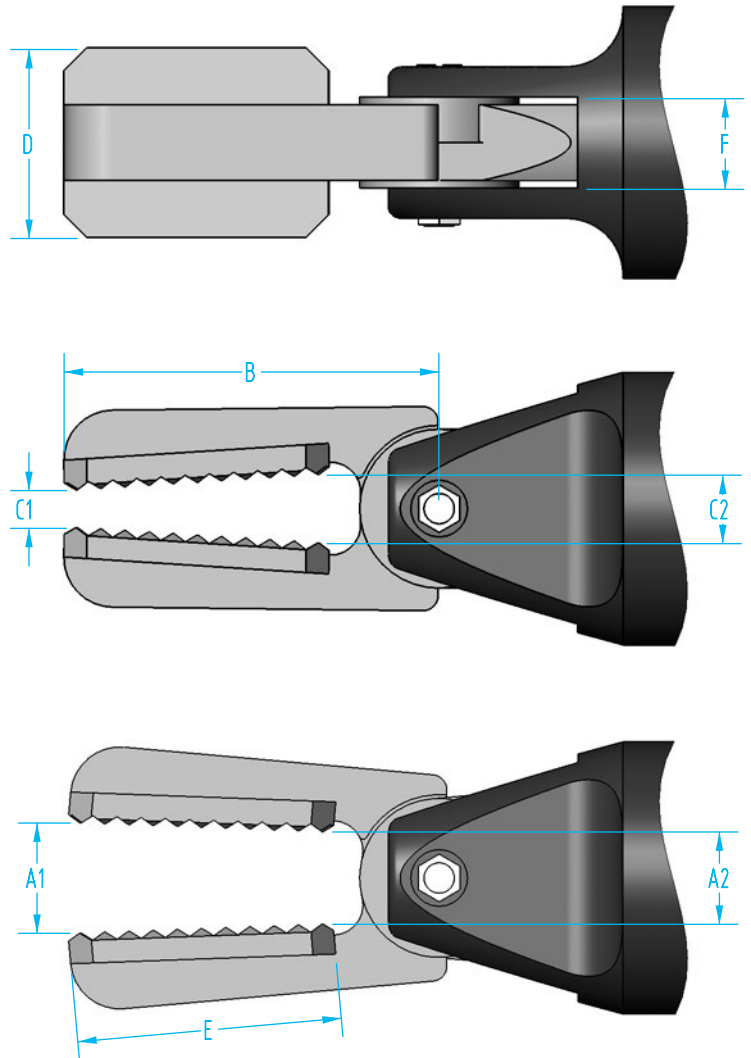
(Dimensioned drawings shown full scale)

High Power Sprue Jaws - dimensions

Quick#	Part#	A1	A2	B	C1	C2	D	E	F
6100	JGW-10S-A50	14.5	12	49.5	5	9	25	35	12
6125	JGN-10S-A52	9	6.5	49.5	0	3.5	25	35	12
7371	JGN-10N	9	7.5	49.5	0	2	16	24	12



#7371  
Sprue Jaws with  
Nitrile pads



Quick#	Part#	Price	Finger Style	Applicable Sprue Ø	Gripping Force <sup>1</sup> when used with Gimatic nipper body <sup>2</sup>	Weight
6100	JGW-10S-A50	\$108.00	wide	5–10mm	448.5 lbf (@1½" from pivot point)	175g
6125	JGN-10S-A52	\$108.00	narrow	5–10mm	448.5 lbf (@1½" from pivot point)	190g
7371	JGN-10N	\$248.00	narrow	5–10mm	448.5 lbf (@1½" from pivot point)	137g

<sup>1</sup> at 87 psi. <sup>2</sup> can be used with any size 20 body—force may be less.

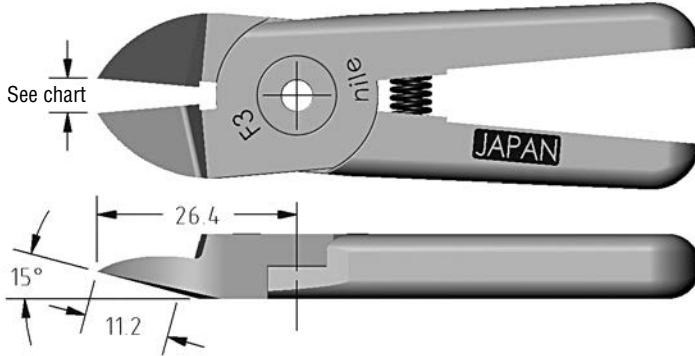
(Order nipper body separately, see page 827)

## Size 10 Blades – Nile Bodies Only

(Dimensioned drawings shown full scale)

Blade	Part#	Price	Style	Brand	Page	#2054 Blade Cover Compatibility	Nile 10 Nipper Body		Weight
							Tip to Tip Opening (mm) *		
1568	GSN-F3	\$61.50	Std. Angle	Nile	869	✓	5		62g
1569	GSN-FD3	\$66.50	Deep Angle	Nile	869	✓	5		62g

\*Note: Tip-to-tip opening dimensions are approximate and can vary from blade to blade because blades are hand finished.

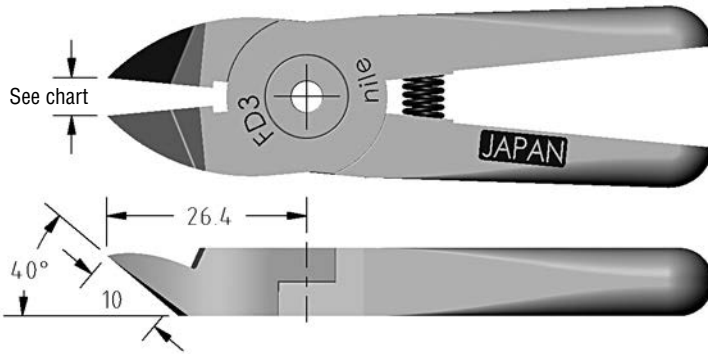


Nile

Quick#	Part#	Price	Ø Sprue	Wt.
1568	GSN-F3	\$61.50	3mm	62g
Replacement Spring				
5176	NILE-SP3	\$2.09		

Size 10 Nipper Body Tip to Tip Opening\*

Vessel	Gimatic	Swanstrom	Nile	OEM
No	No	No	5mm	No



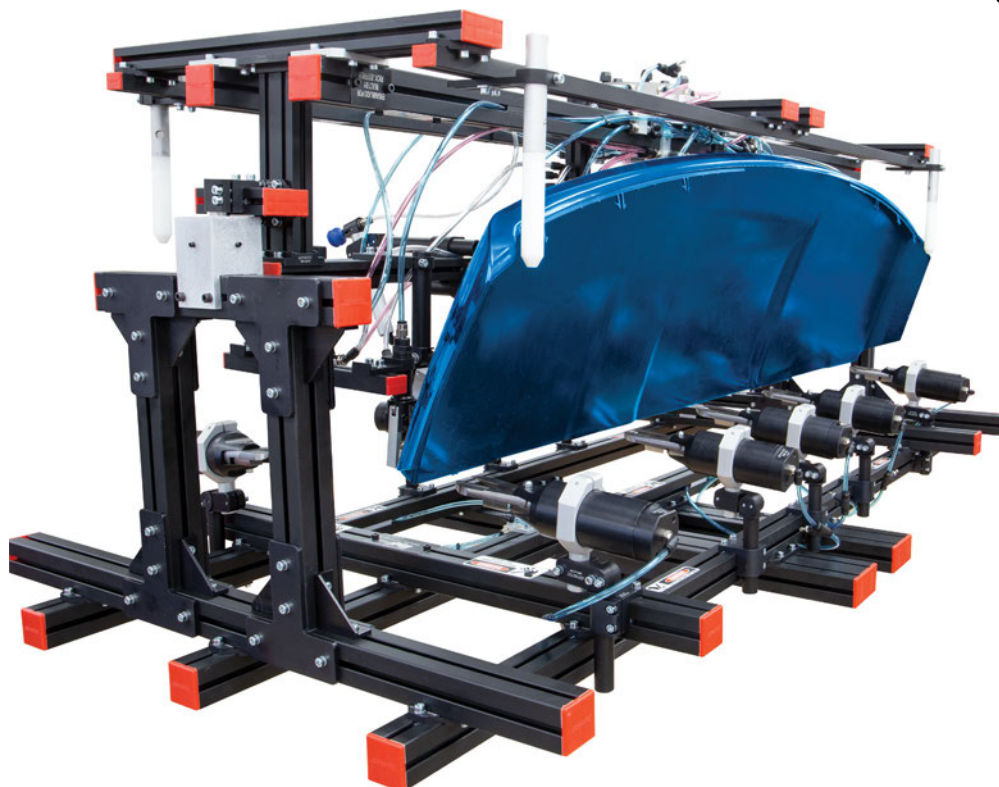
Nile

Quick#	Part#	Price	Ø Sprue	Wt.
1569	GSN-FD3	\$66.50	3mm	62g
Replacement Spring				
5176	NILE-SP3	\$2.09		

Size 10 Nipper Body Tip to Tip Opening\*

Vessel	Gimatic	Swanstrom	Nile	OEM
No	No	No	5mm	No

**Call EMI for All Your Degating Applications**





## Size 20 Nipper Blades

Blade	Part#	Price	Style	Brand	Page	#2055 Blade Cover Compatibility	Nipper Body					Wt.
							Vessel 20	Gimatic 20	Swanstrom 20	Nile 20	OEM 20	
							Tip to Tip Opening (mm) *					
607	GSN-N20-AP	\$99.00	Std. Angle	Vessel	871	✓	12	11.5	12	12.5	11.5	116g
1007	X-20-ST	\$92.65	Std. Angle	Swanstrom	871	✓	12.5	11.5	12	12	11.5	122g
5030	GN20AP	\$101.00	Std. Angle	Gimatic	872	✓	11.5	11	11.5	11.5	11	120g
1570	GSN-F5	\$72.50	Std. Angle	Nile	872	✓	9.5	9	9	9	9	120g
608	GSN-N20-PF	\$96.00	Deep Angle	Vessel	873	✓	11	10.5	11	11	10.5	126g
1008	X-20-DA	\$117.00	Deep Angle	Swanstrom	873	✓	11.5	11	12	11.5	11	124g
5031	GN20PF	\$100.00	Deep Angle	Gimatic	874	✓	12	11.5	11.5	11.5	11.5	122g
1571	GSN-FD5	\$78.00	Deep Angle	Nile	874	✓	9.5	9	9.5	9.5	9	122g
1096	X-20-RV45	\$390.00	Reverse Deep	Swanstrom	872	✗	17.5	17	17.5	17.5	17	172g
1024	X-20-DA75	\$234.00	Extra Deep	Swanstrom	874	✗	16.5	15.5	16	16.5	15.5	194g
698	GSN-N20-AA	\$366.00	Deep, Long	Vessel	875	✗	15	14.5	15.5	15	14.5	186g
1098	X-20-LA	\$177.00	Deep, Long	Swanstrom	875	✗	17	16.5	17	17.5	16.5	170g
1025	X-20-DA90	\$236.00	Extra Deep	Swanstrom	875	✗	14	13.5	14	14.5	13.5	200g
610	GSN-N20-AE	\$115.00	Perpendicular	Vessel	876	✓	9	8.5	9	9	8.5	122g
1010	X-20-PE	\$117.00	Perpendicular	Swanstrom	876	✓	8.5	8.5	9	8.5	8.5	132g
1028	X-20PELA49	\$145.00	Perpendicular	Swanstrom	876	✓	16.5	15.5	16.5	16.5	15.5	178g
609	GSN-N20-AJL	\$170.00	Inline	Vessel	877	✓	16	15	15.5	16.5	15	220g
1009	X-20-LI	\$158.00	Inline	Swanstrom	877	✓	22	21	22	22	21	198g
1046	X-20-SI	\$96.33	Inline	Swanstrom	877	✓	11.5	11	12	12	11	120g
5029	GN20AJ	\$133.00	Inline	Gimatic	878	✓	12.5	11.5	12.5	12.5	11.5	120g
1039	X-20-OS	\$380.00	Offset	Swanstrom	878	✗	21.5	20.5	21.5	21.5	20.5	220g
1040	X-20-OR	\$463.00	Offset	Swanstrom	878	✗	22	21	22	22	21	220g

*\*Note: Tip-to-tip opening dimensions are approximate and can vary from blade to blade because blades are hand finished. Carbide and Custom blades are available, call EMI.*

### Gimatic Blade Covers:

- Gimatic blades include protective blade covers, if you need additional covers they are listed here.
- Cover snaps into profile for storage, and ring can be used for zip-ties.



Gimatic Size 10 & 20 Blade Covers

Quick#	Part#	Price
6086	COJ12	\$2.34

### Universal Blade Covers:

- Provides protection without compressing the nipper blade's spring.
- See reference chart above for compatibility.

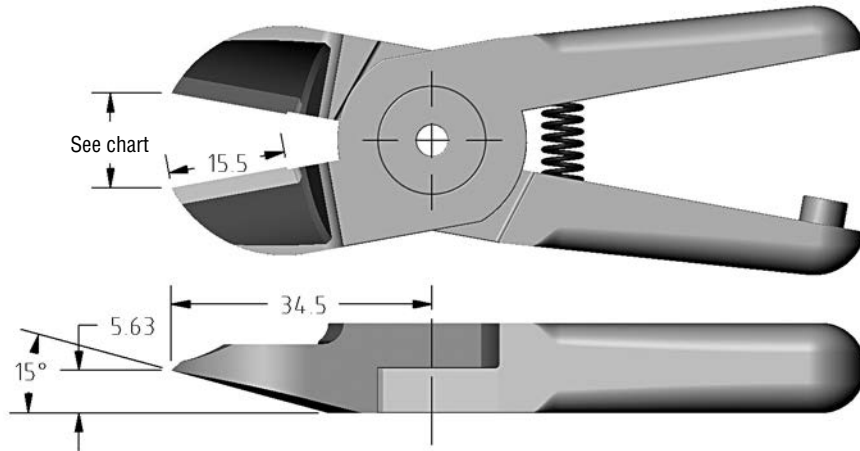


Universal Size 20 Blade Covers

Quick#	Part#	Price
2055	GSN-BC-20	\$9.97

**Size 20 Nipper Blades**

(Dimensioned drawings shown full scale)

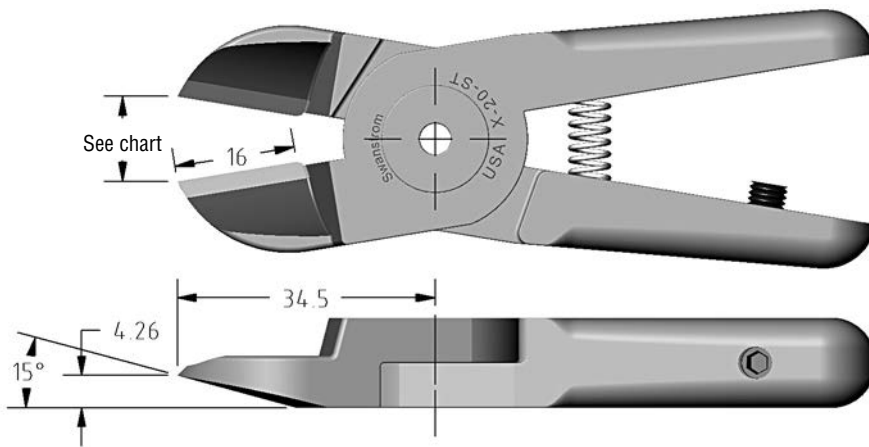


Vessel

Quick#	Part#	Price	Ø Sprue	Wt.
607	GSN-N20-AP	\$99.00	7mm	116g
Replacement Spring				
1283	SPR-03	\$1.90		

Size 20 Nipper Body Tip to Tip Opening\*

Vessel	Gimatic	Swanstrom	Nile	OEM
12mm	11.5mm	12mm	12.5mm	11.5mm



Swanstrom

Quick#	Part#	Price	Ø Sprue	Wt.
1007	X-20-ST	\$92.65	6mm	122g
Replacement Spring				
1099	GSN-SPR-029	\$1.10		

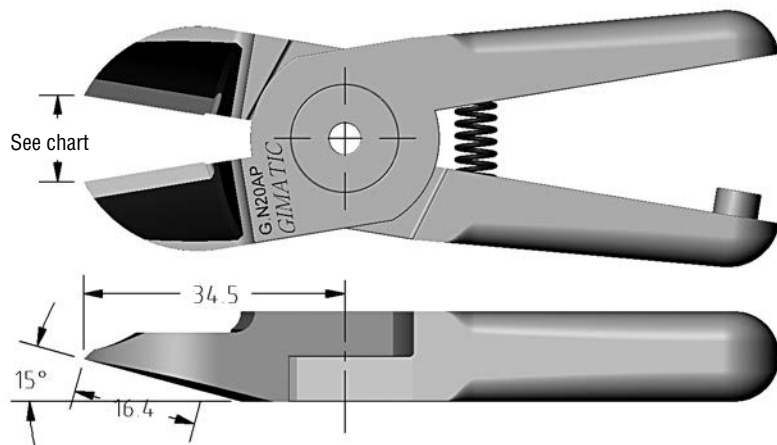
Size 20 Nipper Body Tip to Tip Opening\*

Vessel	Gimatic	Swanstrom	Nile	OEM
12.5mm	11.5mm	12mm	12mm	11.5mm

Use Quick#s for easy online ordering.

## Size 20 Blades

(Dimensioned drawings shown full scale)

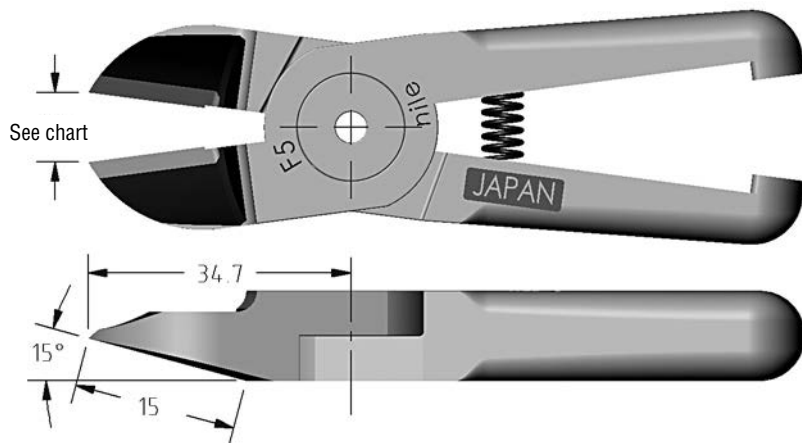


Gimatic

Quick#	Part#	Price	Ø Sprue	Wt.
5030	GN20AP	\$101.00	6mm	120g
Replacement Spring				
1283	SPR-03	\$1.90		

Size 20 Nipper Body Tip to Tip Opening\*

Vessel	Gimatic	Swanstrom	Nile	OEM
11.5mm	11mm	11.5mm	11.5mm	11mm

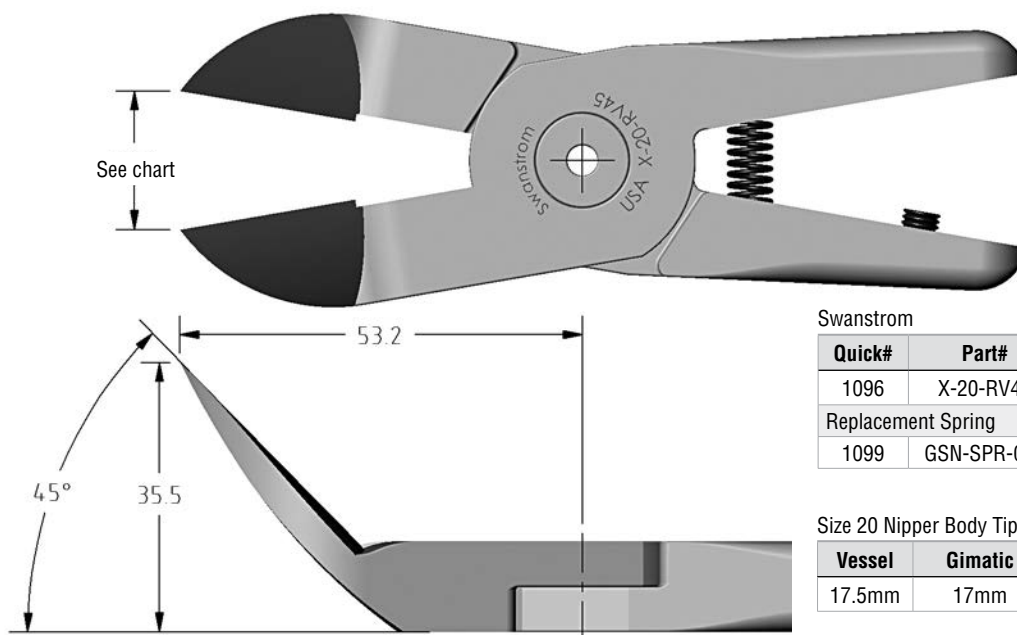


Nile

Quick#	Part#	Price	Ø Sprue	Wt.
1570	GSN-F5	\$72.50	5mm	120g
Replacement Spring				
5177	NILE-SP5	\$2.09		

Size 20 Nipper Body Tip to Tip Opening\*

Vessel	Gimatic	Swanstrom	Nile	OEM
9.5mm	9mm	9mm	9mm	9mm



Swanstrom

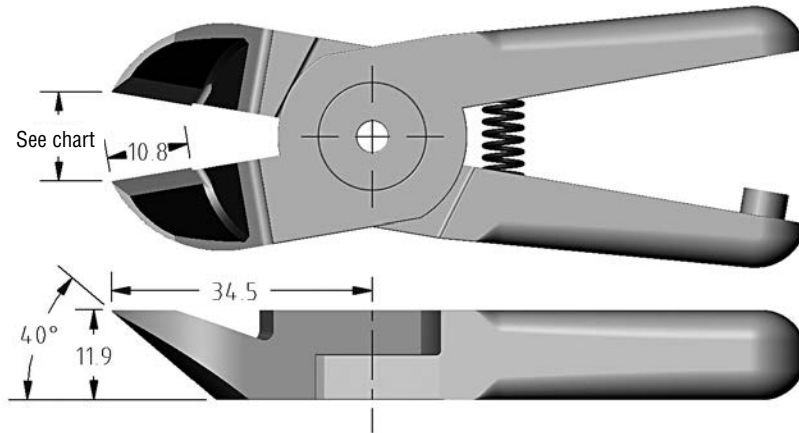
Quick#	Part#	Price	Ø Sprue	Wt.
1096	X-20-RV45	\$390.00	9mm	172g
Replacement Spring				
1099	GSN-SPR-029	\$1.10		

Size 20 Nipper Body Tip to Tip Opening\*

Vessel	Gimatic	Swanstrom	Nile	OEM
17.5mm	17mm	17.5mm	17.5mm	17mm

**Size 20 Blades**

(Dimensioned drawings shown full scale)

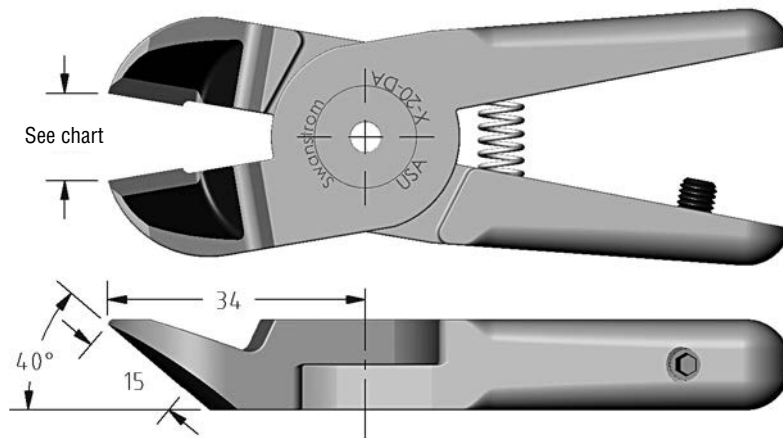


Vessel

Quick#	Part#	Price	Ø Sprue	Wt.
608	GSN-N20-PF	\$96.00	6mm	126g
Replacement Spring				
1283	SPR-03	\$1.90		

Size 20 Nipper Body Tip to Tip Opening\*

Vessel	Gimatic	Swanstrom	Nile	OEM
11mm	10.5mm	11mm	11mm	10.5mm



Swanstrom

Quick#	Part#	Price	Ø Sprue	Wt.
1008	X-20-DA	\$117.00	6mm	124g
Replacement Spring				
1099	GSN-SPR-029	\$1.10		

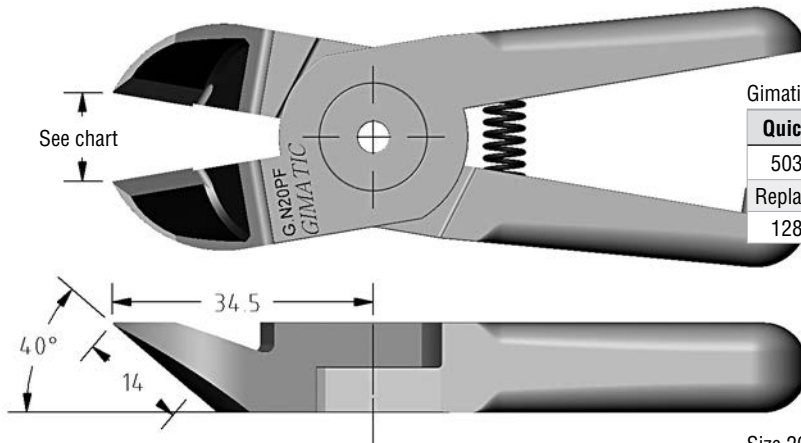
Size 20 Nipper Body Tip to Tip Opening\*

Vessel	Gimatic	Swanstrom	Nile	OEM
11.5mm	11mm	12mm	11.5mm	11mm

Use Quick#s for easy online ordering.

# Size 20 Blades

(Dimensioned drawings shown full scale)

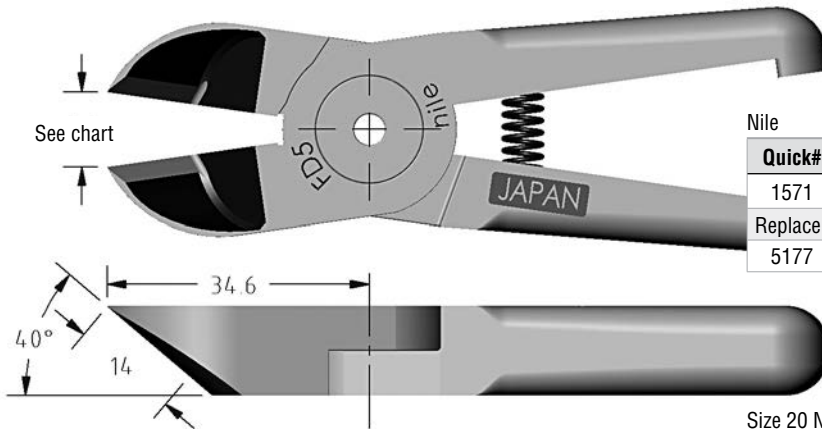


Gimatic

Quick#	Part#	Price	Ø Sprue	Wt.
5031	GN20PF	\$100.00	6mm	122g
Replacement Spring				
1283	SPR-03	\$1.90		

Size 20 Nipper Body Tip to Tip Opening\*

Vessel	Gimatic	Swanstrom	Nile	OEM
12mm	11.5mm	11.5mm	11.5mm	11.5mm

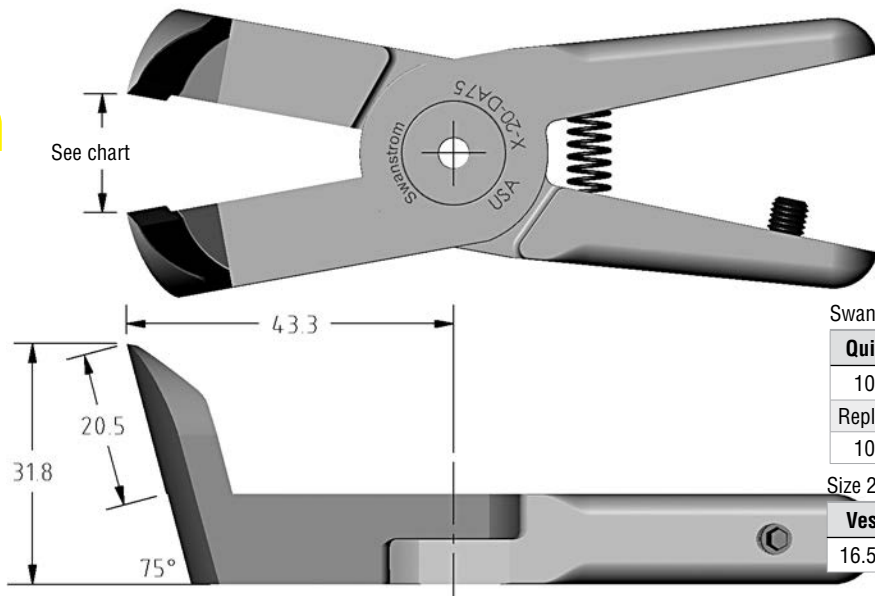


Nile

Quick#	Part#	Price	Ø Sprue	Wt.
1571	GSN-FD5	\$78.00	5mm	122g
Replacement Spring				
5177	NILE-SP5	\$2.09		

Size 20 Nipper Body Tip to Tip Opening\*

Vessel	Gimatic	Swanstrom	Nile	OEM
9.5mm	9mm	9.5mm	9.5mm	9mm



Swanstrom

Quick#	Part#	Price	Ø Sprue	Wt.
1024	X-20-DA75	\$234.00	9mm	194g
Replacement Spring				
1099	GSN-SPR-029	\$1.10		

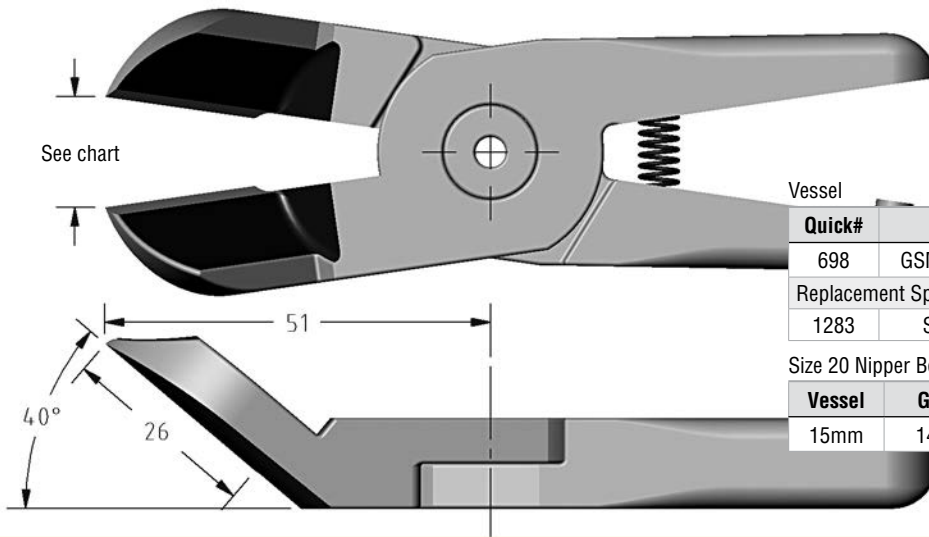
Size 20 Nipper Body Tip to Tip Opening\*

Vessel	Gimatic	Swanstrom	Nile	OEM
16.5mm	15.5mm	16mm	16.5mm	15.5mm



**Size 20 Blades**

(Dimensioned drawings shown full scale)

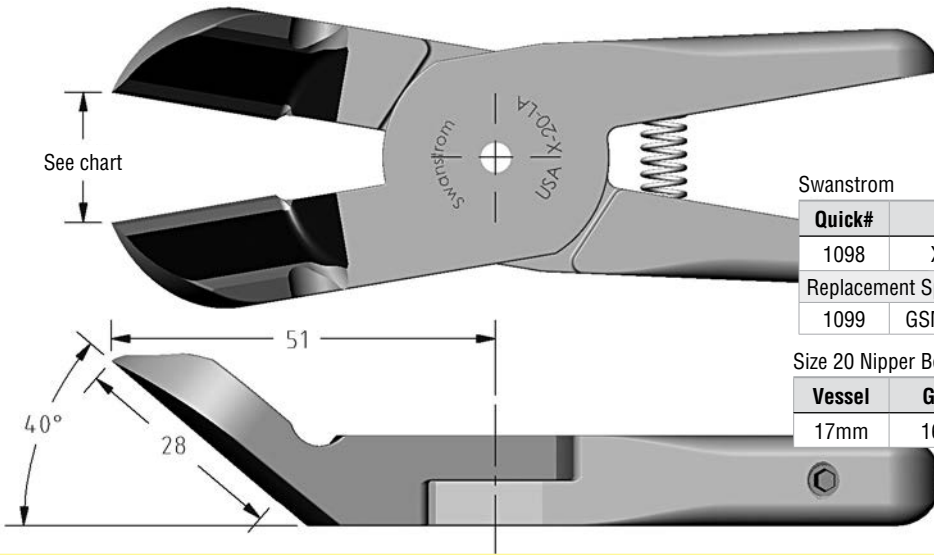


Vessel

Quick#	Part#	Price	Ø Sprue	Wt.
698	GSN-N20-AA	\$366.00	8mm	186g
Replacement Spring				
1283	SPR-03	\$1.90		

Size 20 Nipper Body Tip to Tip Opening\*

Vessel	Gimatic	Swanstrom	Nile	OEM
15mm	14.5mm	15.5mm	15mm	14.5mm

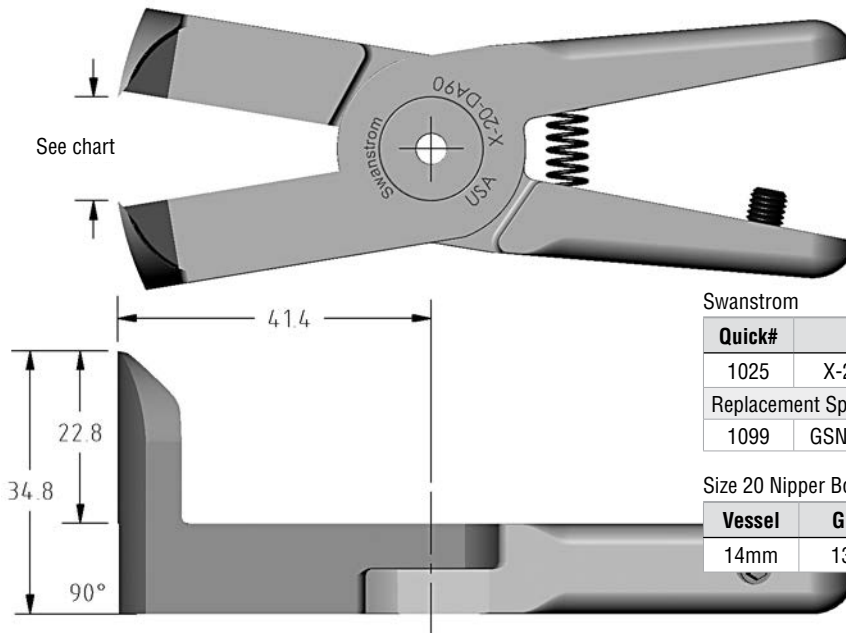


Swanstrom

Quick#	Part#	Price	Ø Sprue	Wt.
1098	X-20-LA	\$177.00	9mm	170g
Replacement Spring				
1099	GSN-SPR-029	\$1.10		

Size 20 Nipper Body Tip to Tip Opening\*

Vessel	Gimatic	Swanstrom	Nile	OEM
17mm	16.5mm	17mm	17.5mm	16.5mm



Swanstrom

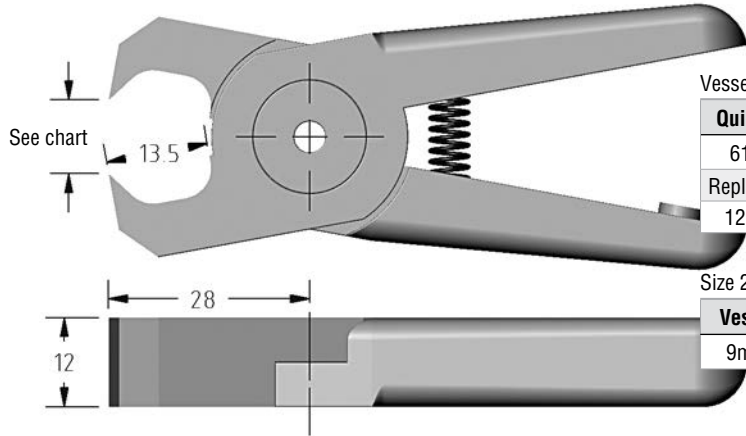
Quick#	Part#	Price	Ø Sprue	Wt.
1025	X-20-DA90	\$236.00	8mm	200g
Replacement Spring				
1099	GSN-SPR-029	\$1.10		

Size 20 Nipper Body Tip to Tip Opening\*

Vessel	Gimatic	Swanstrom	Nile	OEM
14mm	13.5mm	14mm	14.5mm	13.5mm

# Size 20 Blades

(Dimensioned drawings shown full scale)

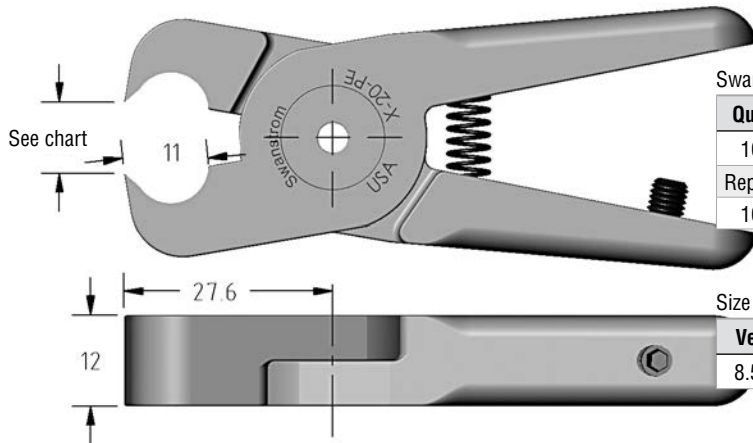


Vessel

Quick#	Part#	Price	Ø Sprue	Wt.
610	GSN-N20-AE	\$115.00	6mm	122g
Replacement Spring				
1283	SPR-03	\$1.90		

Size 20 Nipper Body Tip to Tip Opening\*

Vessel	Gimatic	Swanstrom	Nile	OEM
9mm	8.5mm	9mm	9mm	8.5mm

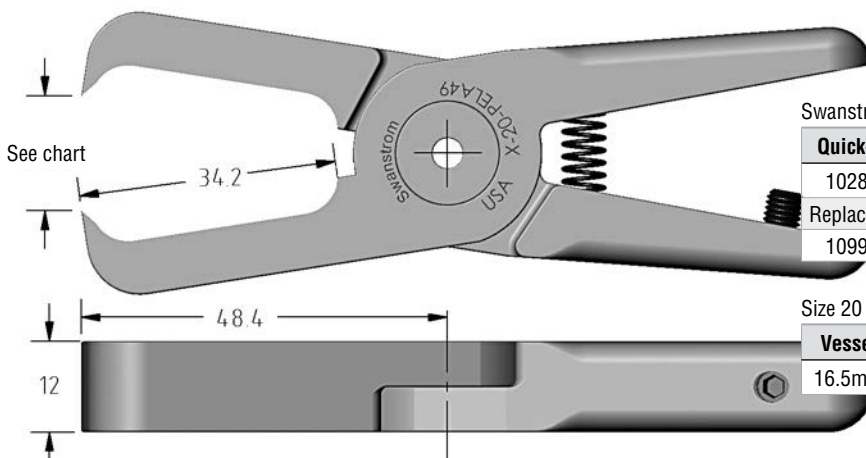


Swanstrom

Quick#	Part#	Price	Ø Sprue	Wt.
1010	X-20-PE	\$117.00	6mm	132g
Replacement Spring				
1099	GSN-SPR-029	\$1.10		

Size 20 Nipper Body Tip to Tip Opening\*

Vessel	Gimatic	Swanstrom	Nile	OEM
8.5mm	8.5mm	9mm	8.5mm	8.5mm



Swanstrom

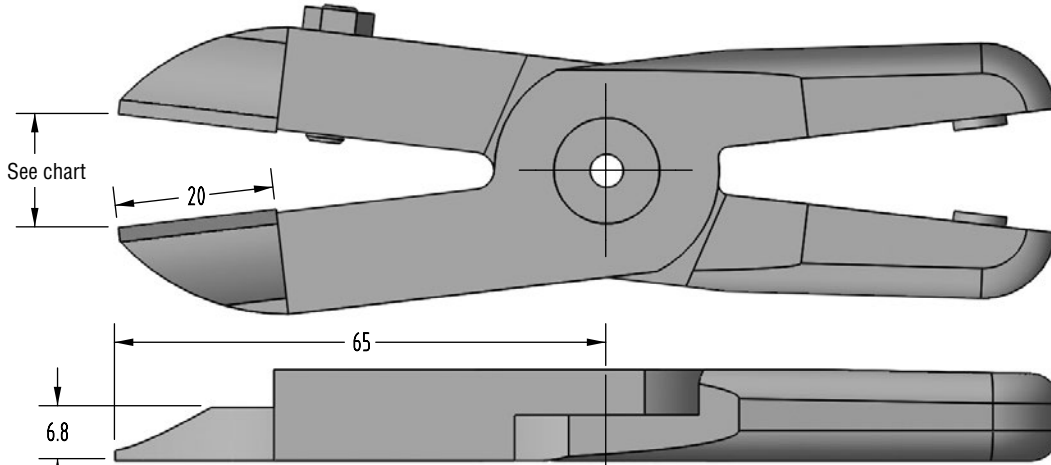
Quick#	Part#	Price	Ø Sprue	Wt.
1028	X-20PELA49	\$145.00	8mm	178g
Replacement Spring				
1099	GSN-SPR-029	\$1.10		

Size 20 Nipper Body Tip to Tip Opening\*

Vessel	Gimatic	Swanstrom	Nile	OEM
16.5mm	15.5mm	16.5mm	16.5mm	15.5mm

**Size 20 Blades**

(Dimensioned drawings shown full scale)

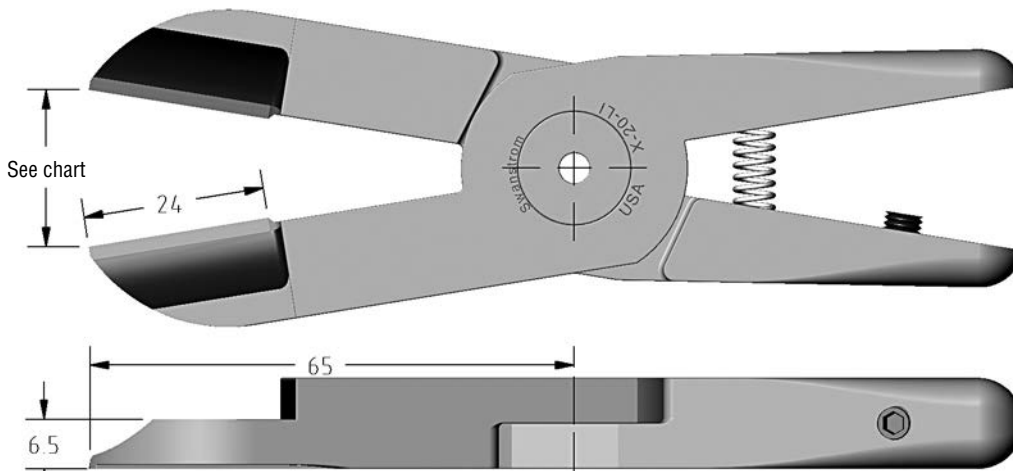


Vessel

Quick#	Part#	Price	Ø Sprue	Wt.
609	GSN-N20-AJL	\$170.00	8mm	220g
Replacement Spring				
1283	SPR-03	\$1.90		

Size 20 Nipper Body Tip to Tip Opening\*

Vessel	Gimatic	Swanstrom	Nile	OEM
16mm	15mm	15.5mm	16.5mm	15mm

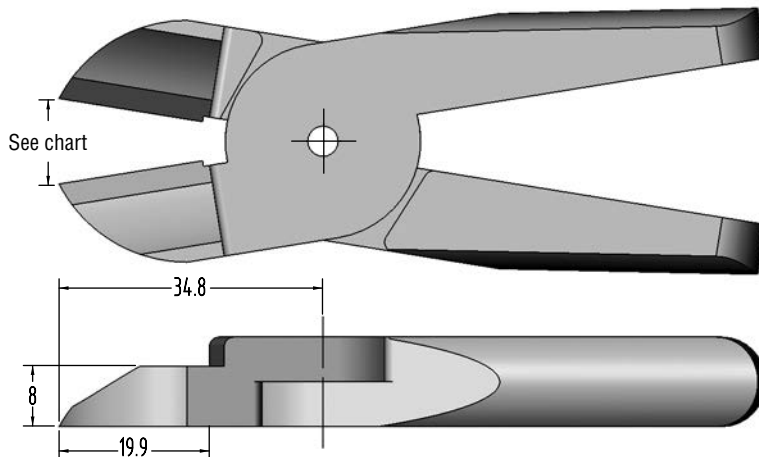


Swanstrom

Quick#	Part#	Price	Ø Sprue	Wt.
1009	X-20-LI	\$158.00	8mm	198g
Replacement Spring				
1099	GSN-SPR-029	\$1.10		

Size 20 Nipper Body Tip to Tip Opening\*

Vessel	Gimatic	Swanstrom	Nile	OEM
22mm	21mm	22mm	22mm	21mm



Swanstrom

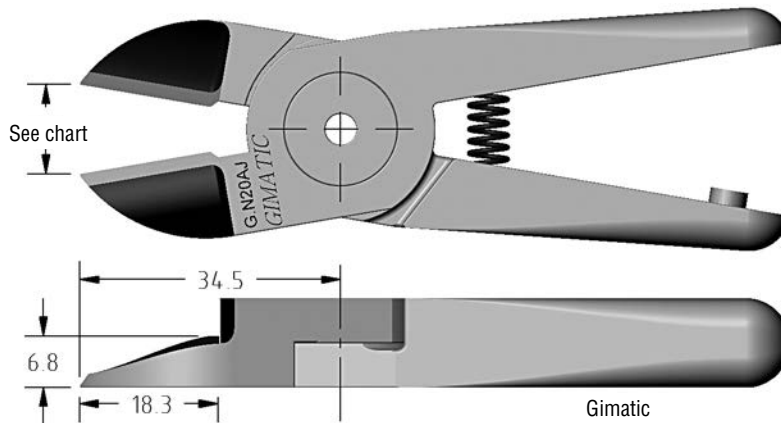
Quick#	Part#	Price	Ø Sprue	Wt.
1046	X-20-SI	\$96.33	6mm	120g
Replacement Spring				
1099	GSN-SPR-029	\$1.10		

Size 20 Nipper Body Tip to Tip Opening\*

Vessel	Gimatic	Swanstrom	Nile	OEM
11.5mm	11mm	12mm	12mm	11mm

# Size 20 Blades

(Dimensioned drawings shown full scale)

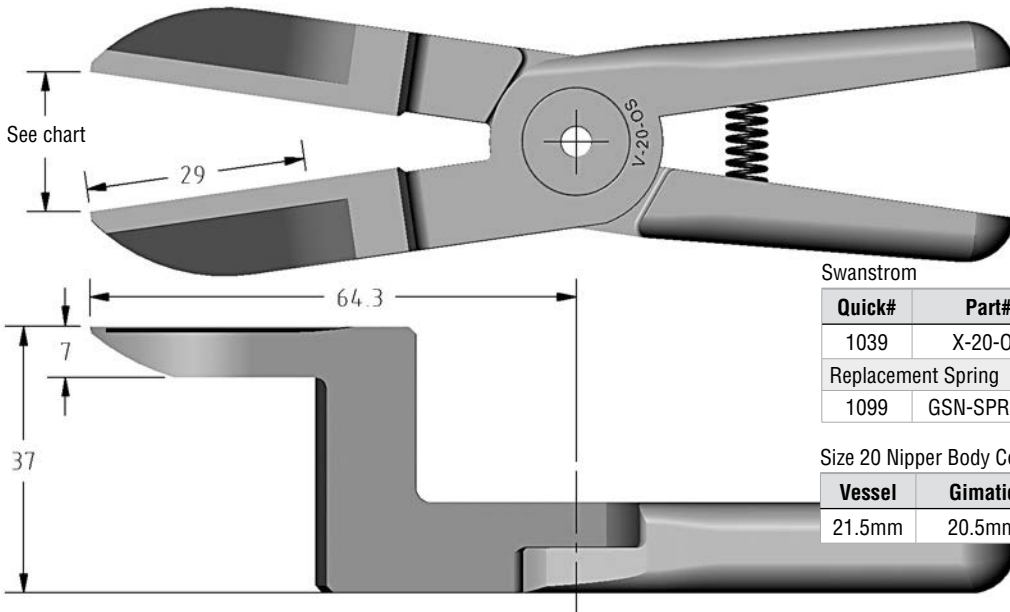


Size 20 Nipper Body Tip to Tip Opening\*

Vessel	Gimatic	Swanstrom	Nile	OEM
12.5mm	11.5mm	12.5mm	12.5mm	11.5mm

Gimatic

Quick#	Part#	Price	Ø Sprue	Wt.
5029	GN20AJ	\$133.00	6mm	120g
Replacement Spring				
1283	SPR-03	\$1.90		

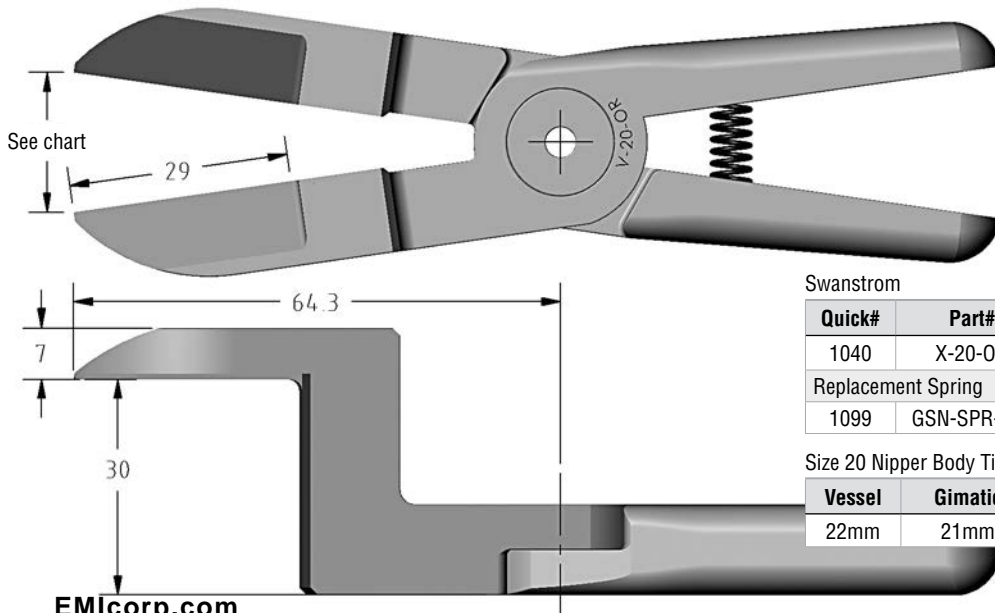


Swanstrom

Quick#	Part#	Price	Ø Sprue	Wt.
1039	X-20-OS	\$380.00	8mm	220g
Replacement Spring				
1099	GSN-SPR-029	\$1.10		

Size 20 Nipper Body Compatibility

Vessel	Gimatic	Swanstrom	Nile	OEM
21.5mm	20.5mm	21.5mm	21.5mm	20.5mm



Swanstrom

Quick#	Part#	Price	Ø Sprue	Wt.
1040	X-20-OR	\$463.00	8mm	220g
Replacement Spring				
1099	GSN-SPR-029	\$1.10		

Size 20 Nipper Body Tip to Tip Opening\*

Vessel	Gimatic	Swanstrom	Nile	OEM
22mm	21mm	22mm	22mm	21mm

## Size 20 High-Power Sprue Jaws (JGW & JGN) for Vessel, Gimatic & Swanstrom Bodies Only

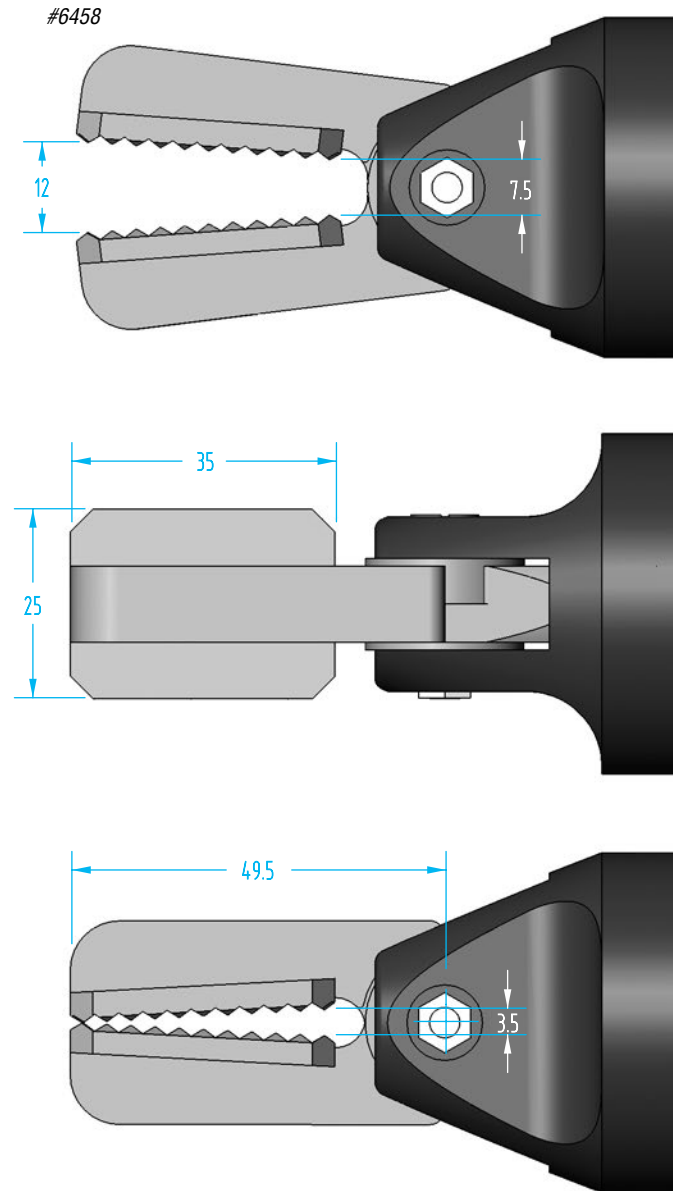
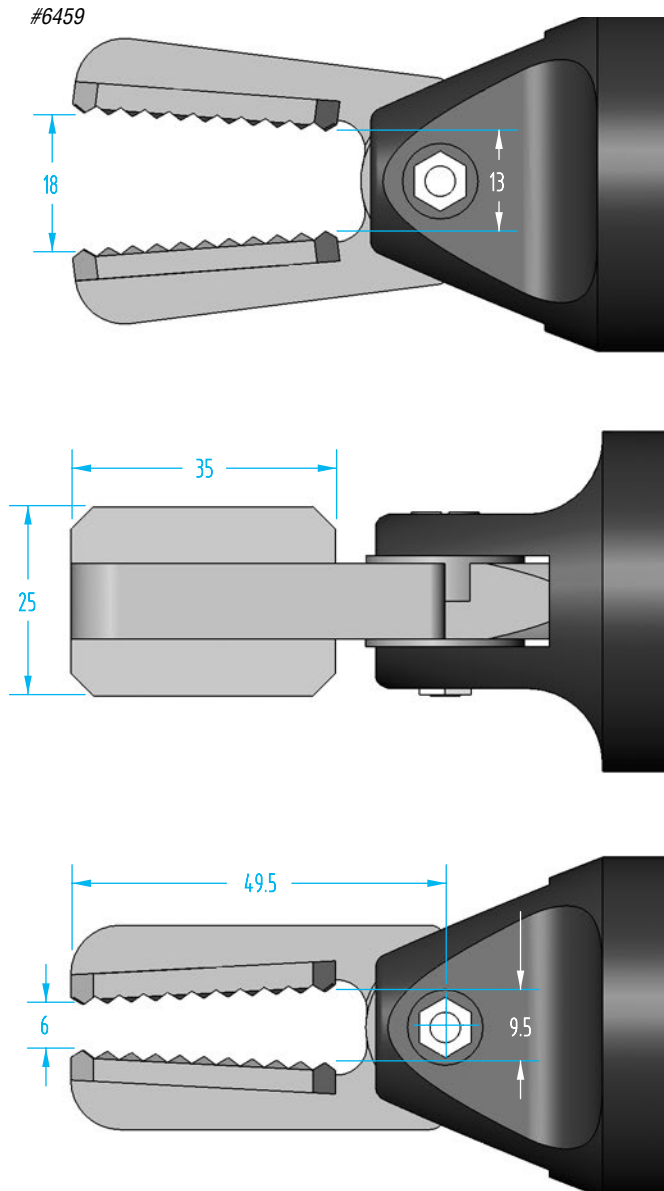
(Dimensioned drawings shown full scale)

Quick#	Part#	Price	Finger Style	Applicable Sprue Ø	Gripping Force <sup>1</sup> when used with Gimatic nipper body <sup>2</sup>	Weight
6459	JGW-20S-A50	\$108.00	wide	10–15mm	790.5 lbf (@1½" from pivot point)	185g
6458	JGN-20S-A52	\$108.00	narrow	10–15mm	790.5 lbf (@1½" from pivot point)	200g

<sup>1</sup> at 87 psi.      <sup>2</sup> can be used with any size 20 body—force may be less.

### Wide Finger Style Sprue Jaws:

### Narrow Finger Style Sprue Jaws:





## Size 30 Blades

Blade	Part#	Price	Style	Brand	Page	#2056 Blade Cover Compatibility	Nipper Body					Wt.
							Vessel 30	Gimatic 30	Swanstrom 30	Nile 30	OEM 30	
							Tip to Tip Opening (mm) *					
612	GSN-N30-AP	\$128.00	Std. Angle	Vessel	881	✓	20	19	19	18.5	19	358g
1012	X-30ST	\$124.00	Std. Angle	Swanstrom	881	✓	15	12.5	18	15	12.5	374g
5033	GN30AP	\$131.00	Std. Angle	Gimatic	882	✓	19	18	18.5	18	18	382g
1572	GSN-F9P	\$101.50	Std. Angle	Nile	882	✓	17.5	16.5	17	16	16.5	410g
1573	GSN-FD9P	\$106.50	Deep Angle	Nile	884	✓	14	14	15	14	14	410g
613	GSN-N30-PF	\$132.00	Deep Angle	Vessel	883	✓	16	15.5	16	16	15.5	376g
1013	X-30-DA	\$124.00	Deep Angle	Swanstrom	883	✓	12.5	12	17.5	13.5	12	388g
5034	GN30PF	\$137.00	Deep Angle	Gimatic	884	✓	16	16	15	15.5	16	386g
697	GSN-N30-AA	\$423.00	Deep, Long	Vessel	885	✗	22	21.5	23	22	21.5	372g
1097	X-30-LA	\$212.00	Deep, Long	Swanstrom	885	✗	18.5	15.5	23	17.5	15.5	378g
1026	X-30-DA75	\$355.00	Extra Deep	Swanstrom	886	✗	11.5	11.5	15	11	11.5	416g
1027	X-30-DA90	\$356.00	Extra Deep	Swanstrom	886	✗	10	8.5	11	9.5	8.5	432g
614	GSN-N30-AJL	\$188.00	Inline	Vessel	888	✓	21.5	21	21	20.5	21	470g
1014	X-30-LI	\$172.00	Inline	Swanstrom	888	✓	19	18.5	22.5	18	18.5	464g
1047	X-30-SI	\$124.00	Inline	Swanstrom	891	✓	12.5	12.5	15	14.5	12.5	365g
5032	GN30AJ	\$144.00	Inline	Gimatic	889	✓	11	10.5	11	11.5	10.5	368g
1574	GSN-F9PS	\$101.50	Inline	Nile	889	✓	16.5	16	17	16	16	404g
1041	X-30-OS	\$446.00	Offset	Swanstrom	890	✗	17.5	13.5	16.5	17.5	13.5	494g
1042	X-30-OR	\$482.00	Offset	Swanstrom	890	✗	18	14	16.5	18.5	14	494g
615	GSN-N30-AE	\$144.00	Perpendicular	Vessel	887	✓	12.5	12.5	12	12	12.5	386g
1015	X-30-PE	\$135.00	Perpendicular	Swanstrom	887	✓	10	8	13.5	10.5	8	374g

*\*Note: Tip-to-tip opening dimensions are approximate and can vary from blade to blade because blades are hand finished. Carbide and Custom blades are available, call EMI.*

### Gimatic Blade Covers:

- Gimatic blades include protective blade covers, if you need additional covers they are listed here.
- Cover snaps into profile for storage, and ring can be used for zip-ties.



Gimatic Size 30 & 50 Blade Covers

Quick#	Part#	Price
6087	COJ30	\$2.59

### Universal Blade Covers:

- Provides protection without compressing the nipper blade's spring.
- See reference chart above for compatibility.

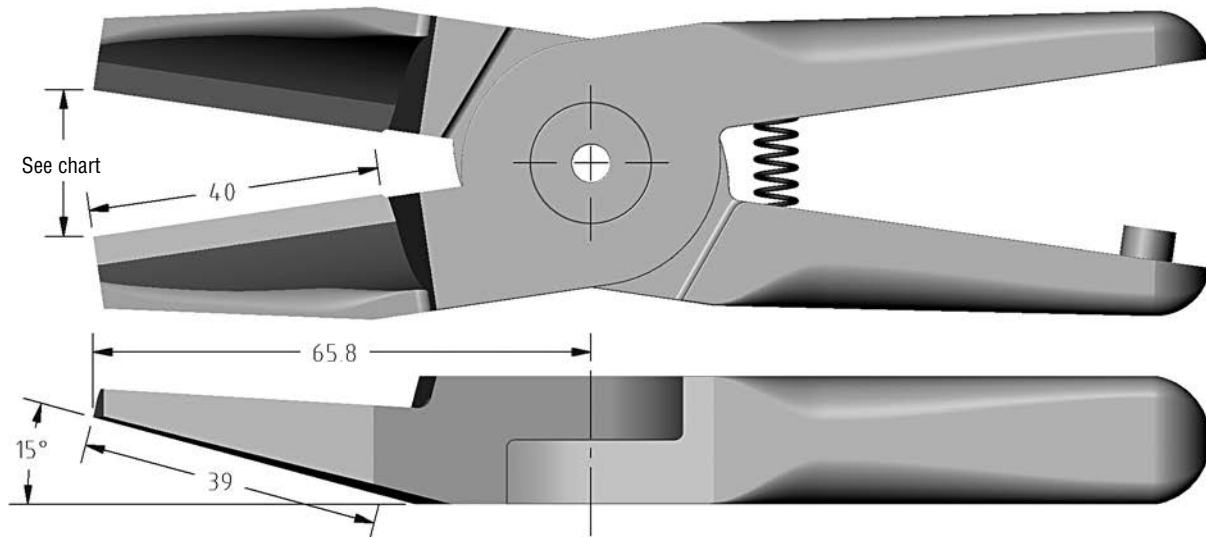


Universal Size 30 Blade Covers

Quick#	Part#	Price
2056	GSN-BC-30	\$14.98

**Size 30 Blades**

(Dimensioned drawings shown full scale)

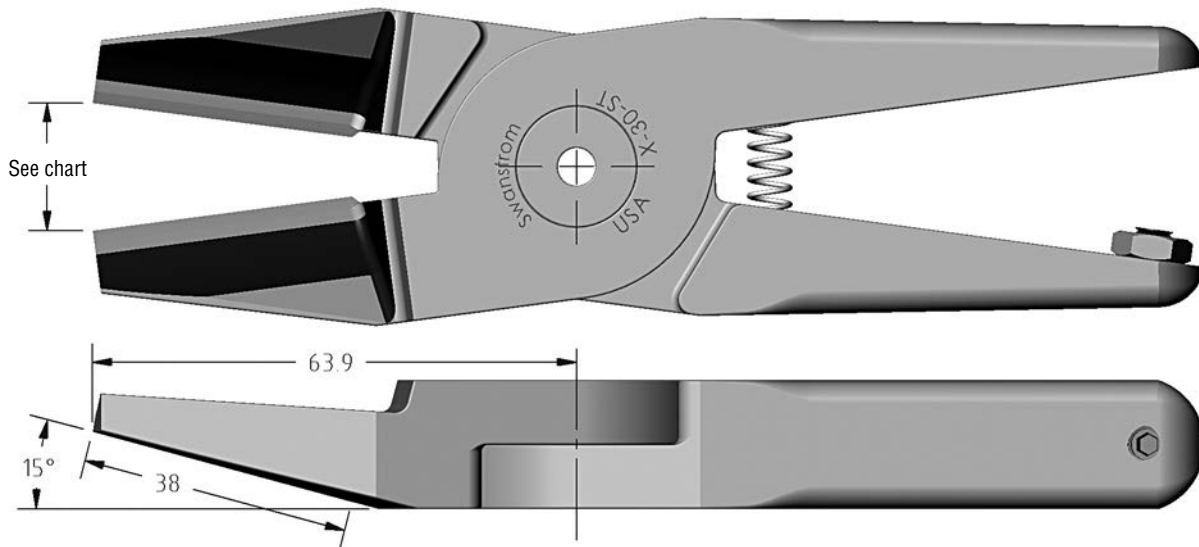


Vessel

Quick#	Part#	Price	Ø Sprue	Wt.
612	GSN-N30-AP	\$128.00	10mm	358g
Replacement Spring				
1285	SPR-05	\$2.20		

Size 30 Nipper Body Tip to Tip Opening\*

Vessel	Gimatic	Swanstrom	Nile	OEM
20mm	19mm	19mm	18.5mm	19mm



Swanstrom

Quick#	Part#	Price	Ø Sprue	Wt.
1012	X-30-ST	\$124.00	9mm	374g
Replacement Spring				
1043	GSN-SP-031	\$2.60		

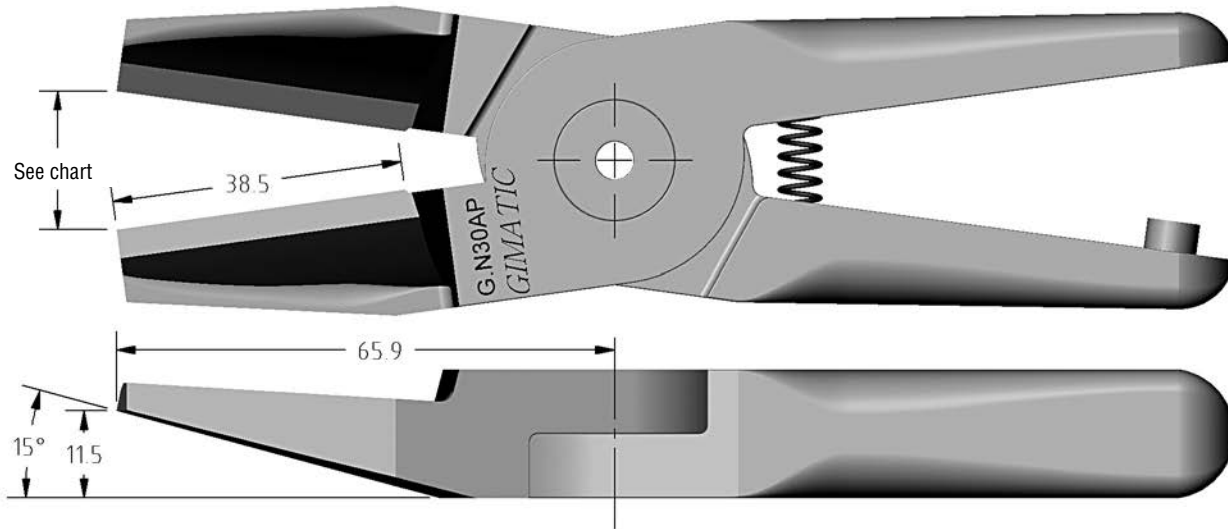
Size 30 Nipper Body Tip to Tip Opening\*

Vessel	Gimatic	Swanstrom	Nile	OEM
15mm	12.5mm	18mm	15mm	12.5mm

Use Quick#s for easy online ordering.

# Size 30 Blades

(Dimensioned drawings shown full scale)

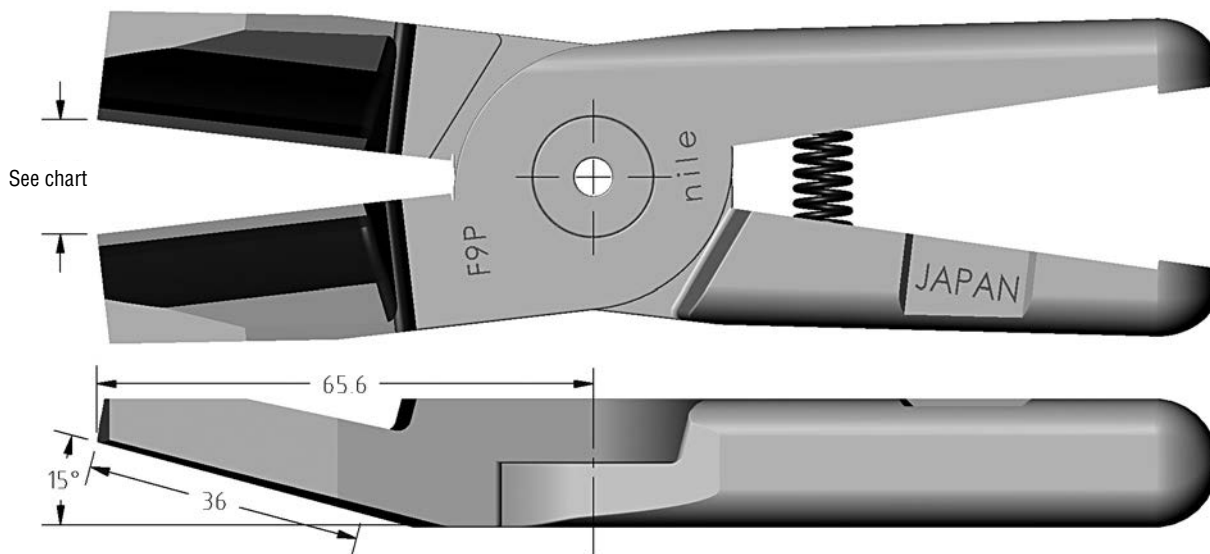


Gimatic

Quick#	Part#	Price	Ø Sprue	Wt.
5033	GN30AP	\$131.00	10mm	382g
Replacement Spring				
1285	SPR-05	\$2.20		

Size 30 Nipper Body Tip to Tip Opening\*

Vessel	Gimatic	Swanstrom	Nile	OEM
19mm	18mm	18.5mm	18mm	18mm



Nile

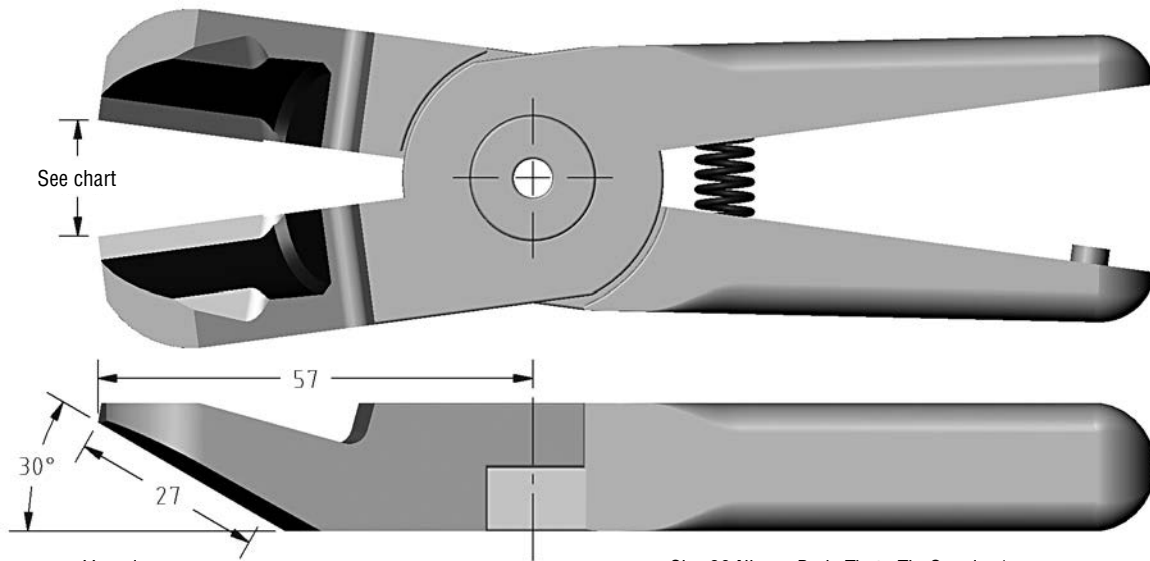
Quick#	Part#	Price	Ø Sprue	Wt.
1572	GSN-F9P	\$101.50	7mm	410g
Replacement Spring				
2301	855-3090	\$2.09		

Size 30 Nipper Body Tip to Tip Opening\*

Vessel	Gimatic	Swanstrom	Nile	OEM
17.5mm	16.5mm	17mm	16mm	16.5mm

**Size 30 Blades**

(Dimensioned drawings shown full scale)

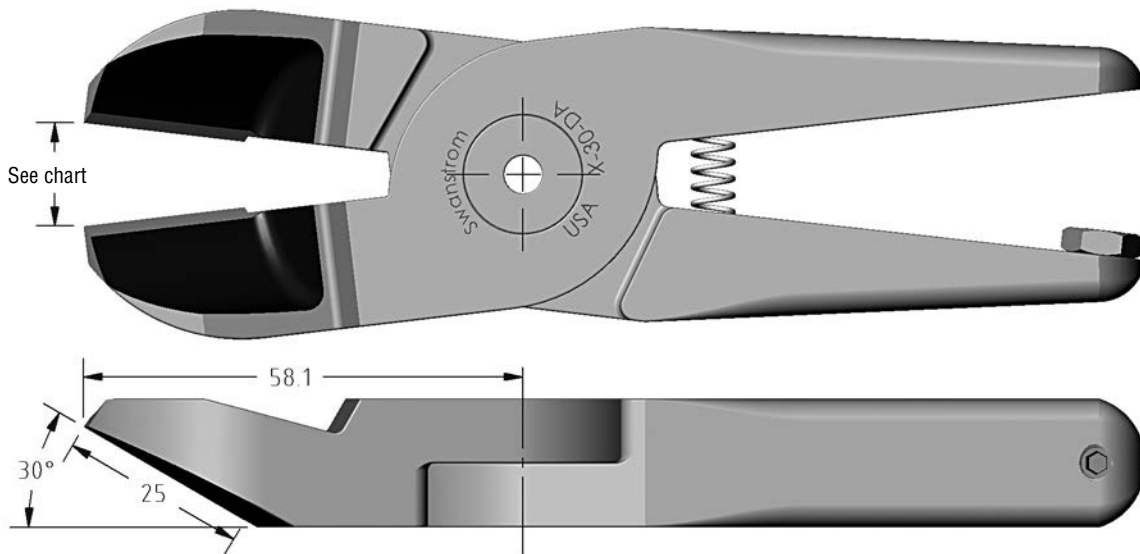


Vessel

Quick#	Part#	Price	Ø Sprue	Wt.
613	GSN-N30-PF	\$132.00	8mm	376g
Replacement Spring				
1285	SPR-05	\$2.20		

Size 30 Nipper Body Tip to Tip Opening\*

Vessel	Gimatic	Swanstrom	Nile	OEM
16mm	15.5mm	16mm	16mm	15.5mm



Swanstrom

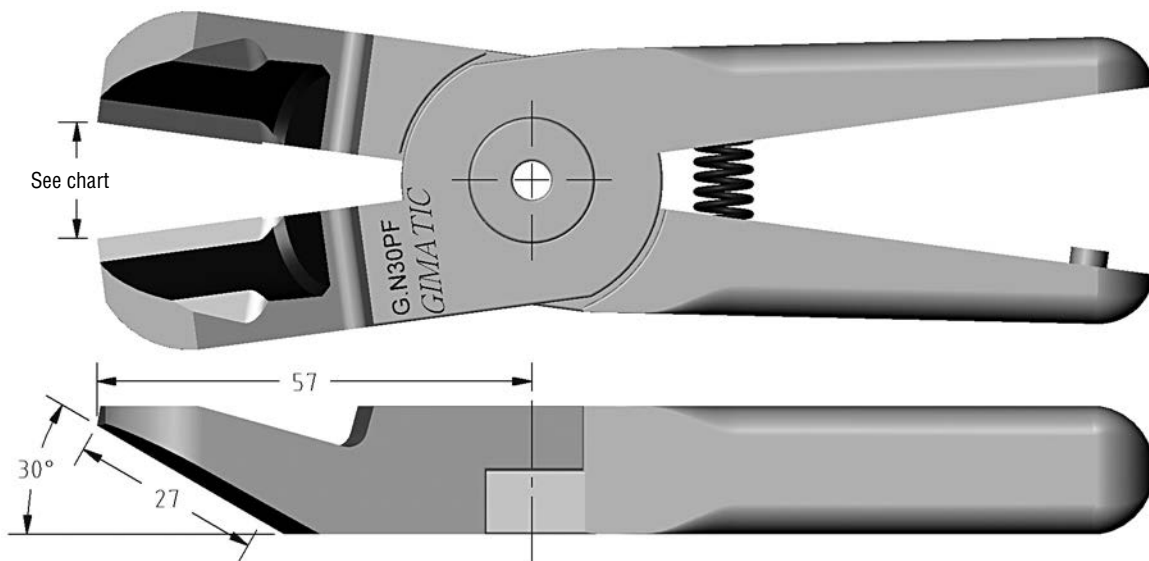
Quick#	Part#	Price	Ø Sprue	Wt.
1013	X-30-DA	\$124.00	8mm	388g
Replacement Spring				
1285	SPR-05	\$2.20		

Size 30 Nipper Body Tip to Tip Opening\*

Vessel	Gimatic	Swanstrom	Nile	OEM
12.5mm	12mm	17.5mm	13.5mm	12mm

# Size 30 Blades

(Dimensioned drawings shown full scale)

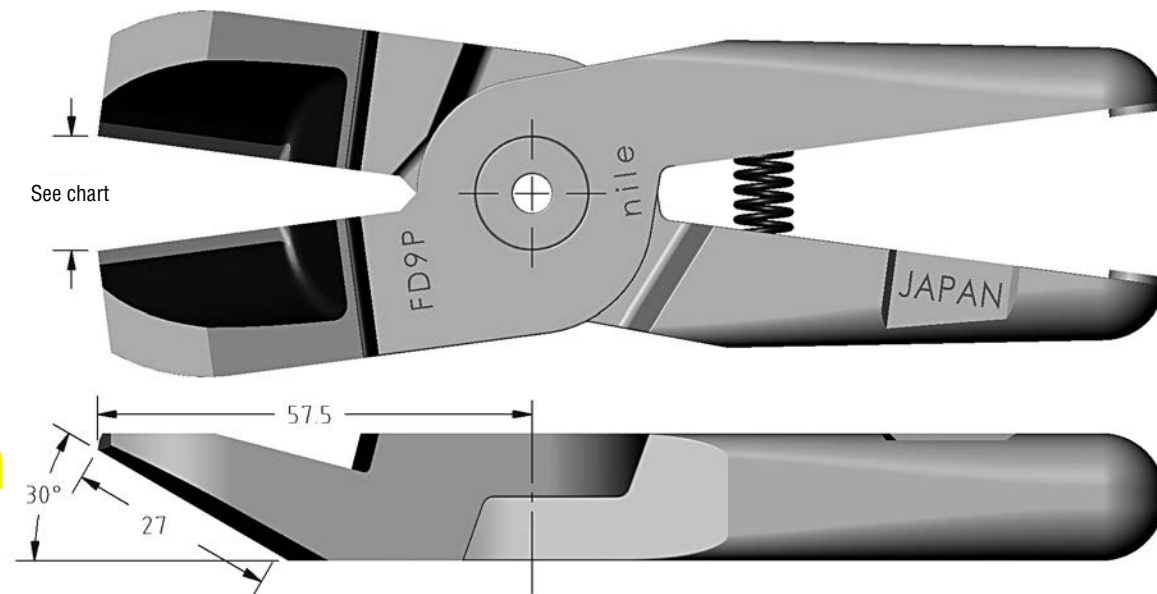


Gimatic

Quick#	Part#	Price	Ø Sprue	Wt.
5034	GN30PF	\$137.00	8mm	386g
Replacement Spring				
1285	SPR-05	\$2.20		

Size 30 Nipper Body Tip to Tip Opening\*

Vessel	Gimatic	Swanstrom	Nile	OEM
16mm	16mm	15mm	15.5mm	16mm



Nile

Quick#	Part#	Price	Ø Sprue	Wt.
1573	GSN-FD9P	\$106.50	8mm	410g
Replacement Spring				
2301	855-3090	\$2.09		

Size 30 Nipper Body Tip to Tip Opening\*

Vessel	Gimatic	Swanstrom	Nile	OEM
14mm	14mm	15mm	14mm	14mm



**Size 30 Blades**

(Dimensioned drawings shown full scale)

See chart

75

30°

51

Vessel				
Quick#	Part#	Price	Ø Sprue	Wt.
697	GSN-N30-AA	\$423.00	11mm	372g
Replacement Spring				
1285	SPR-05	\$2.20		
Size 30 Nipper Body Tip to Tip Opening*				
Vessel	Gimatic	Swanstrom	Nile	OEM
22mm	21.5mm	23mm	22mm	21.5mm

See chart

75.9

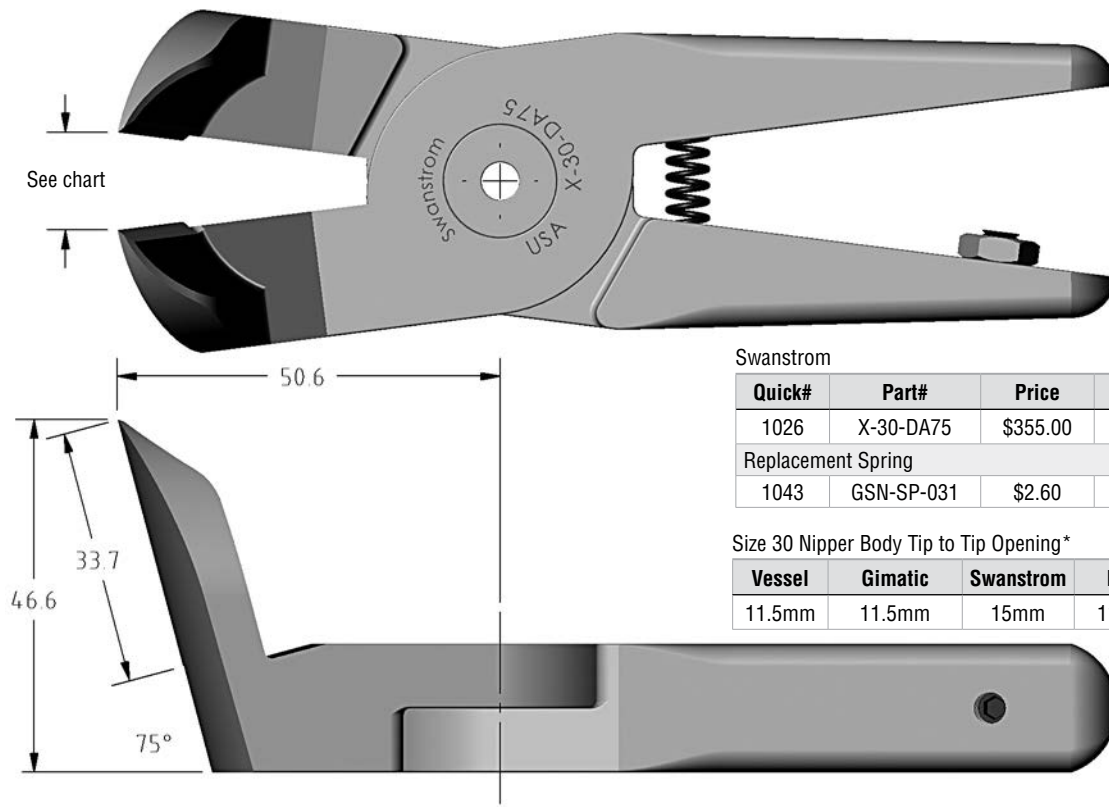
30°

53

Swanstrom				
Quick#	Part#	Price	Ø Sprue	Wt.
1097	X-30-LA	\$212.00	9mm	378g
Replacement Spring				
1043	GSN-SP-031	\$2.60		
Size 30 Nipper Body Tip to Tip Opening*				
Vessel	Gimatic	Swanstrom	Nile	OEM
18.5mm	15.5mm	23mm	17.5mm	15.5mm

# Size 30 Blades

(Dimensioned drawings shown full scale)

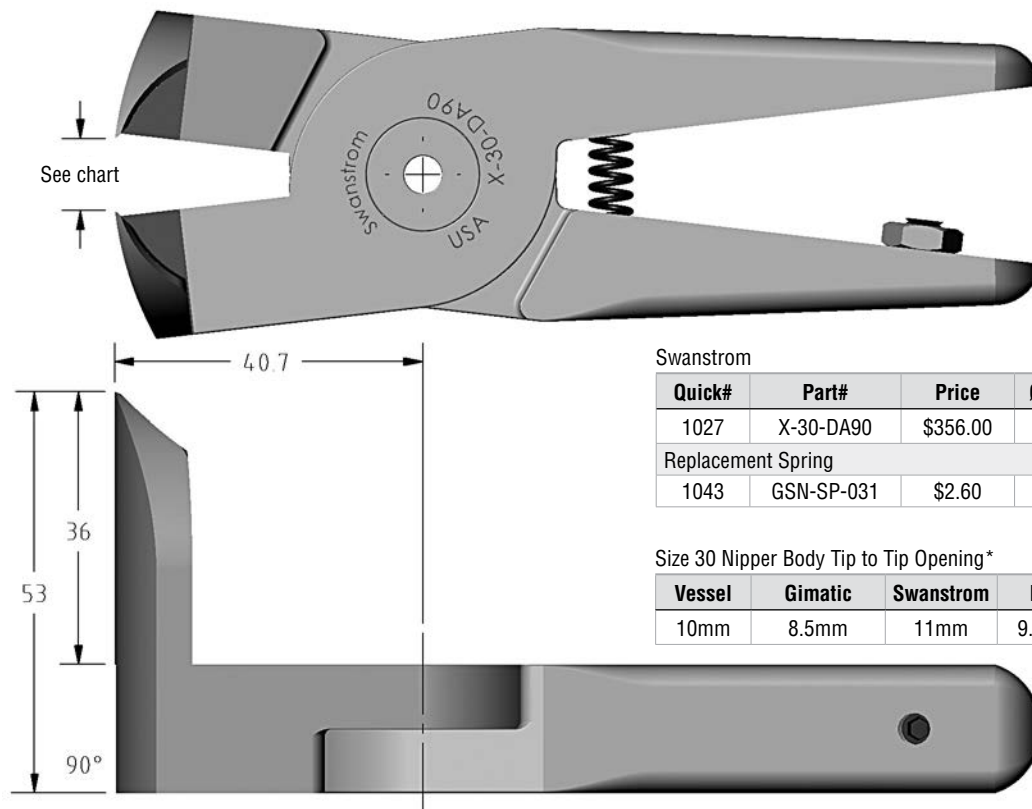


Swanstrom

Quick#	Part#	Price	Ø Sprue	Wt.
1026	X-30-DA75	\$355.00	8mm	416g
Replacement Spring				
1043	GSN-SP-031	\$2.60		

Size 30 Nipper Body Tip to Tip Opening\*

Vessel	Gimatic	Swanstrom	Nile	OEM
11.5mm	11.5mm	15mm	11mm	11.5mm



Swanstrom

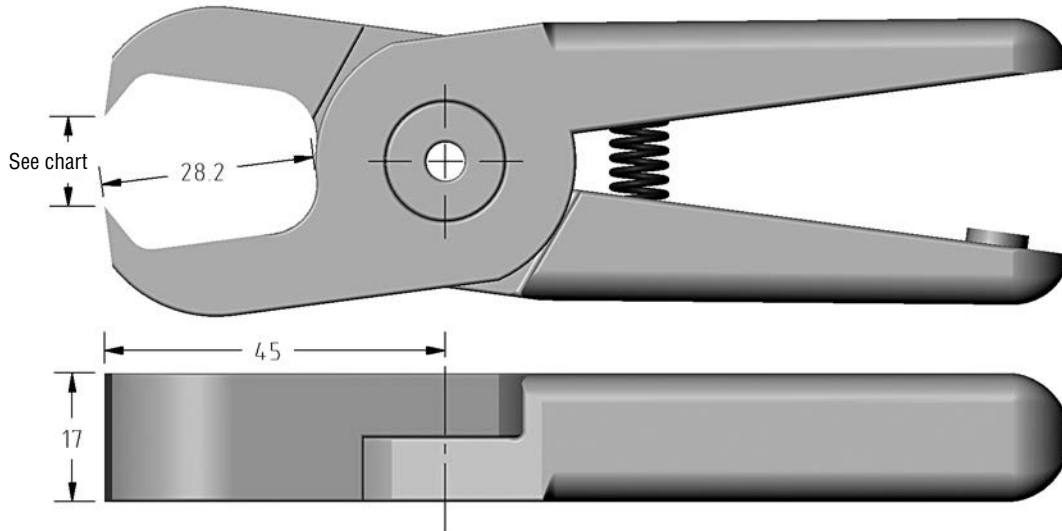
Quick#	Part#	Price	Ø Sprue	Wt.
1027	X-30-DA90	\$356.00	6mm	432g
Replacement Spring				
1043	GSN-SP-031	\$2.60		

Size 30 Nipper Body Tip to Tip Opening\*

Vessel	Gimatic	Swanstrom	Nile	OEM
10mm	8.5mm	11mm	9.5mm	8.5mm

**Size 30 Blades**

(Dimensioned drawings shown full scale)

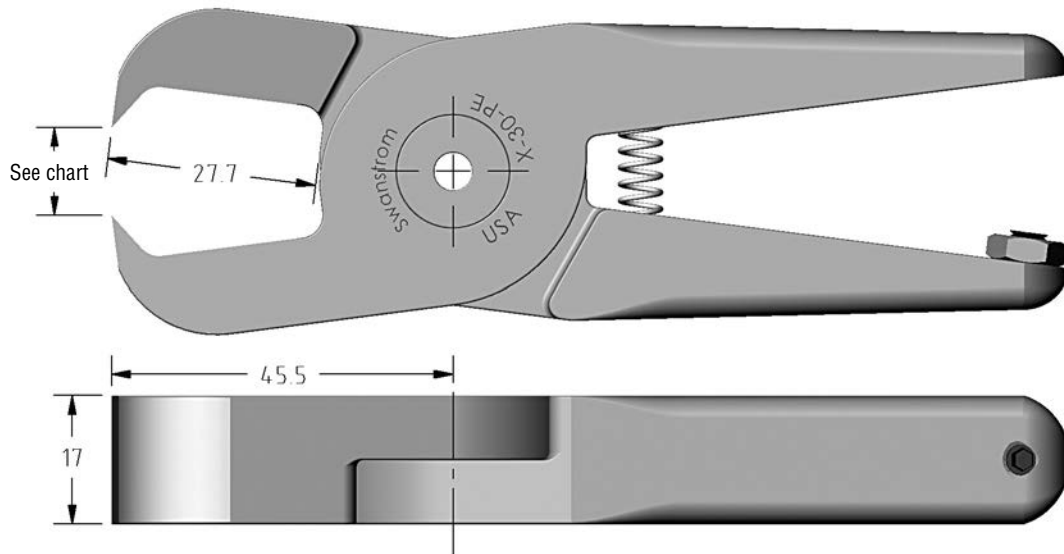


Vessel

Quick#	Part#	Price	Ø Sprue	Wt.
615	GSN-N30-AE	\$144.00	9mm	386g
Replacement Spring				
1285	SPR-05	\$2.20		

Size 30 Nipper Body Tip to Tip Opening\*

Vessel	Gimatic	Swanstrom	Nile	OEM
12.5mm	12.5mm	12mm	12mm	12.5mm



Swanstrom

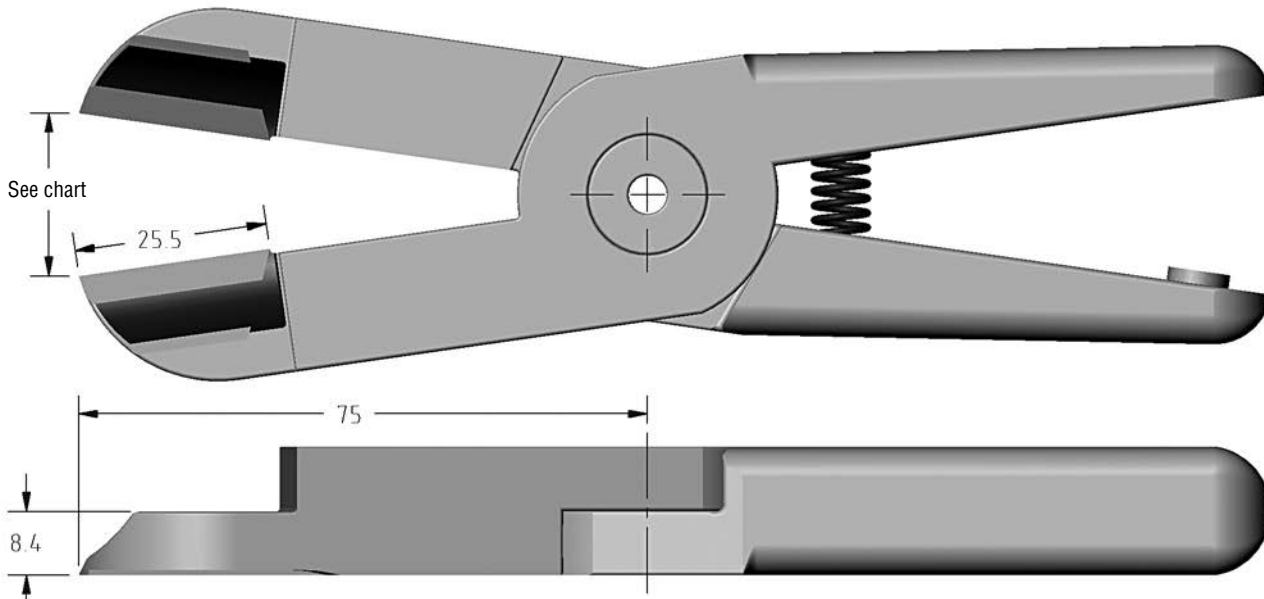
Quick#	Part#	Price	Ø Sprue	Wt.
1015	X-30-PE	\$135.00	9mm	374g
Replacement Spring				
1043	GSN-SP-031	\$2.60		

Size 30 Nipper Body Tip to Tip Opening\*

Vessel	Gimatic	Swanstrom	Nile	OEM
10mm	8mm	13.5mm	10.5mm	8mm

# Size 30 Blades

(Dimensioned drawings shown full scale)

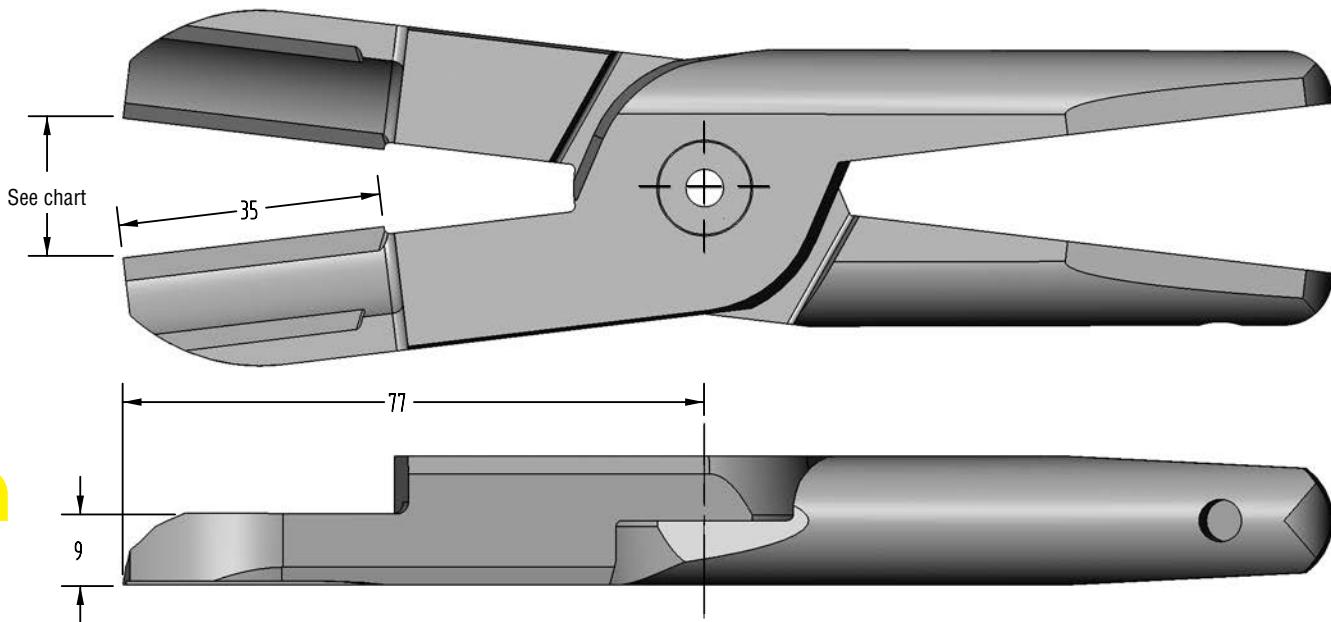


Vessel

Quick#	Part#	Price	Ø Sprue	Wt.
614	GSN-N30-AJL	\$188.00	9mm	470g
Replacement Spring				
1285	SPR-05	\$2.20		

Size 30 Nipper Body Tip to Tip Opening\*

Vessel	Gimatic	Swanstrom	Nile	OEM
21.5mm	21mm	21mm	20.5mm	21mm



Swanstrom

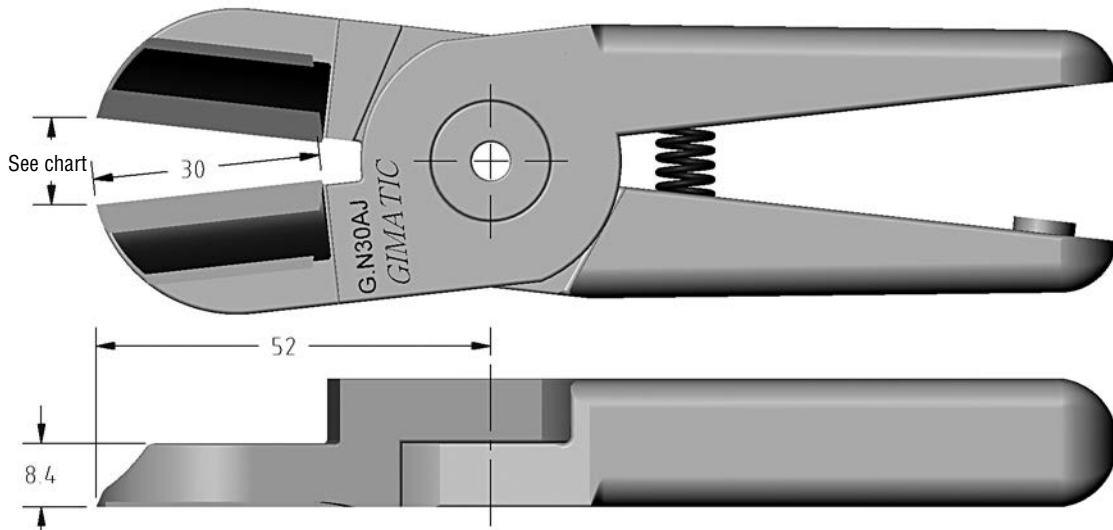
Quick#	Part#	Price	Ø Sprue	Wt.
1014	X-30-LI	\$172.00	9mm	464g
Replacement Spring				
1043	GSN-SP-031	\$2.60		

Size 30 Nipper Body Tip to Tip Opening\*

Vessel	Gimatic	Swanstrom	Nile	OEM
19mm	18.5mm	22.5mm	18mm	18.5mm

**Size 30 Blades**

(Dimensioned drawings shown full scale)

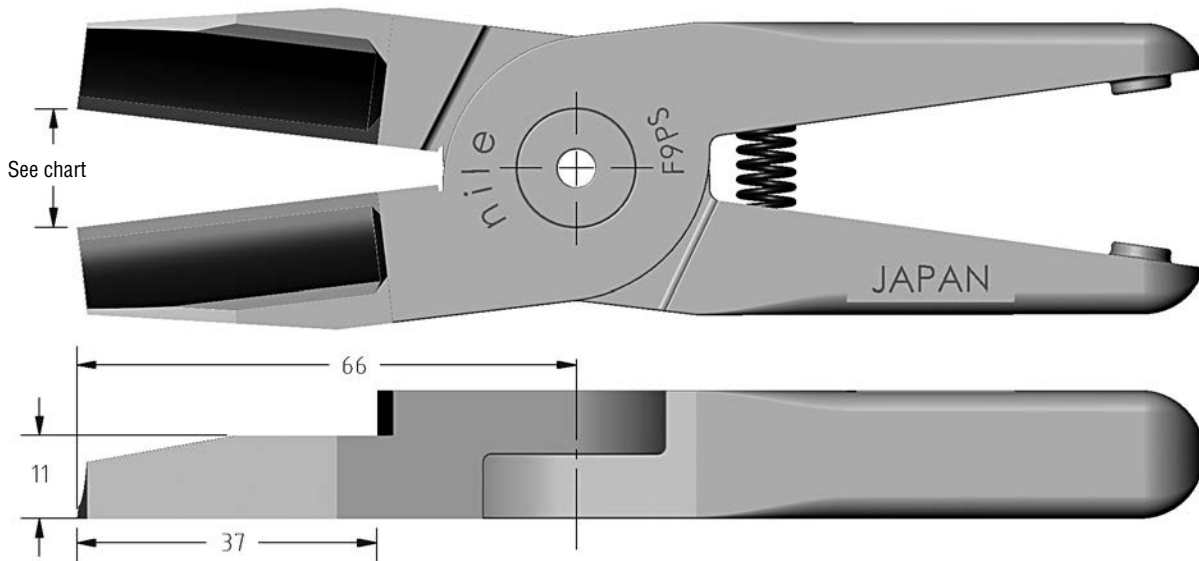


Gimatic

Quick#	Part#	Price	Ø Sprue	Wt.
5032	GN30AJ	\$144.00	6mm	368g
Replacement Spring				
1285	SPR-05	\$2.20		

Size 30 Nipper Body Tip to Tip Opening\*

Vessel	Gimatic	Swanstrom	Nile	OEM
11mm	10.5mm	11mm	11.5mm	10.5mm



Nile

Quick#	Part#	Price	Ø Sprue	Wt.
1574	GSN-F9PS	\$101.50	7mm	404g
Replacement Spring				
2301	855-3090	\$2.09		

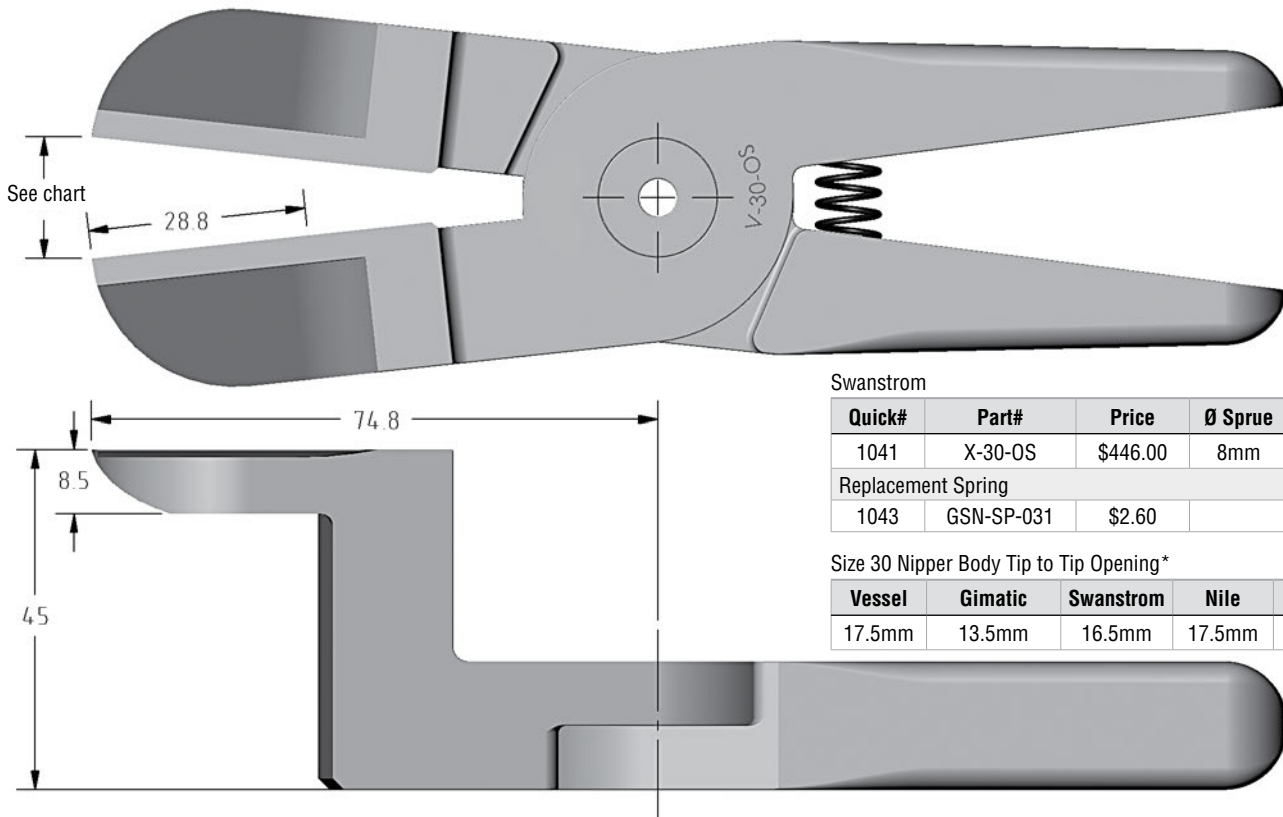
Size 30 Nipper Body Tip to Tip Opening\*

Vessel	Gimatic	Swanstrom	Nile	OEM
16.5mm	16mm	17mm	16mm	16mm



# Size 30 Blades

(Dimensioned drawings shown full scale)

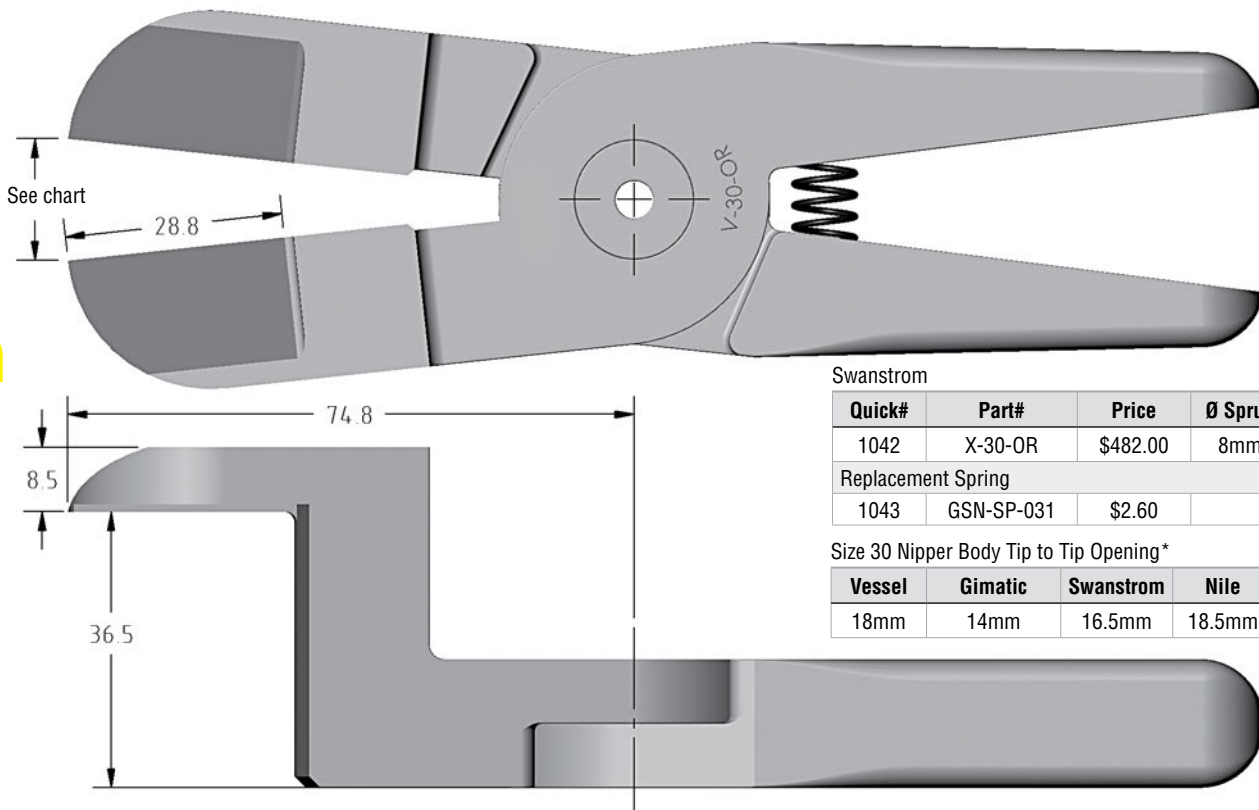


Swanstrom

Quick#	Part#	Price	Ø Sprue	Wt.
1041	X-30-OS	\$446.00	8mm	494g
Replacement Spring				
1043	GSN-SP-031	\$2.60		

Size 30 Nipper Body Tip to Tip Opening\*

Vessel	Gimatic	Swanstrom	Nile	OEM
17.5mm	13.5mm	16.5mm	17.5mm	13.5mm



Swanstrom

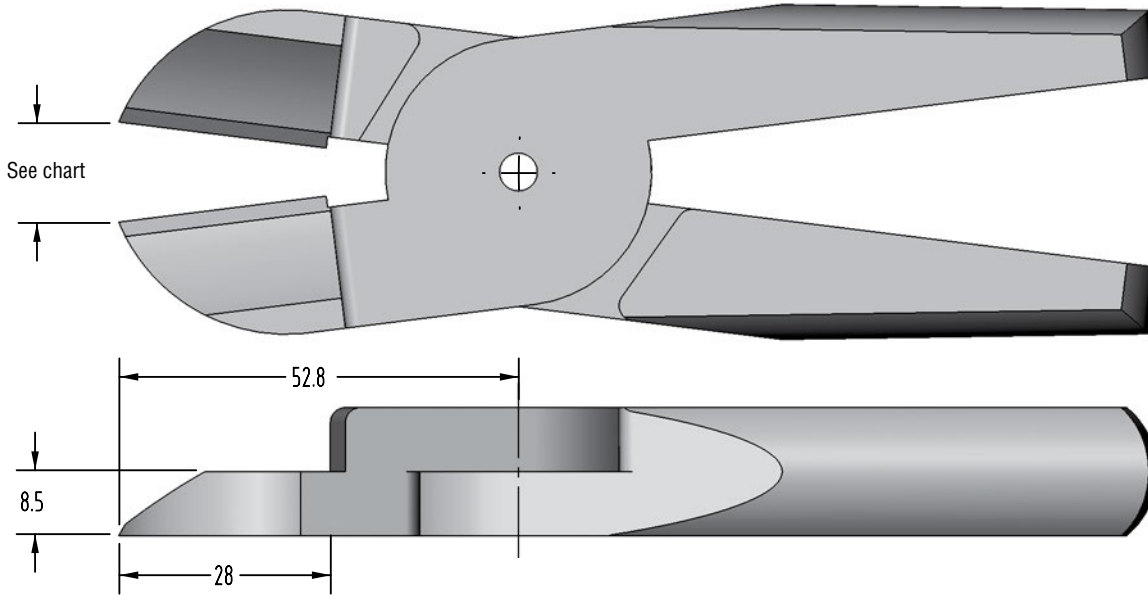
Quick#	Part#	Price	Ø Sprue	Wt.
1042	X-30-OR	\$482.00	8mm	494g
Replacement Spring				
1043	GSN-SP-031	\$2.60		

Size 30 Nipper Body Tip to Tip Opening\*

Vessel	Gimatic	Swanstrom	Nile	OEM
18mm	14mm	16.5mm	18.5mm	14mm

**Size 30 Blades**

(Dimensioned drawings shown full scale)



Swanstrom

Quick#	Part#	Price	Ø Sprue	Wt.
1047	X-30-SI	\$124.00	9mm	365g
Replacement Spring				
1043	GSN-SP-031	\$2.60		

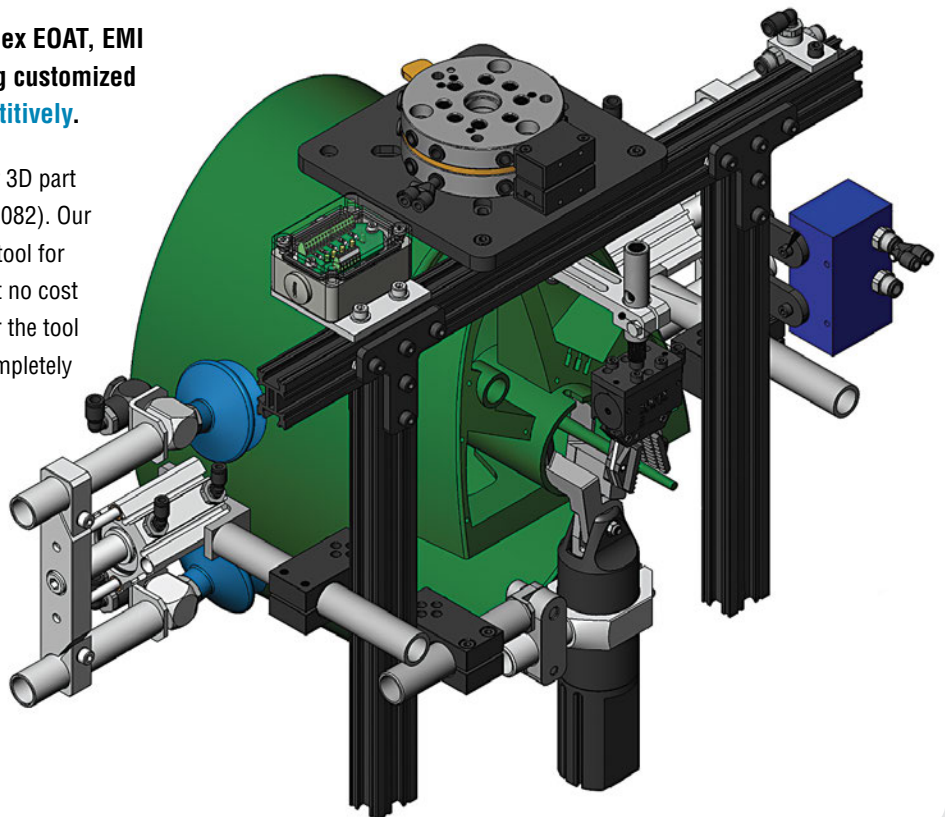
Size 30 Nipper Body Tip to Tip Opening\*

Vessel	Gimatic	Swanstrom	Nile	OEM
12.5mm	12.5mm	15mm	14.5mm	12.5mm

**EOAT Design and Build Service**

From the simplest to the most complex EOAT, EMI specializes in designing and building customized End-of-Arm-Tooling— **Priced Competitively.**

Get started by sending us a sample part or 3D part file and a completed datasheet (see page 1082). Our experienced EOAT engineers will design a tool for you and provide you 3D CAD renderings at no cost or obligation. We'll also provide pricing for the tool should you want to purchase the EOAT completely assembled.



## Blades for Size 50 Nipper Bodies

Size 30 blades fit in size 50 bodies

Blade	Part#	Price	Style	Brand	Page	#2057 Blade Cover Compatibility	Nipper Body			Weight
							Gimatic 50	Swanstrom 50	Nile 50	
							Tip to Tip Opening (mm) *			
612	GSN-N30-AP	\$128.00	Std. Angle	Vessel	893	✓	32	35.5	33.5	358g
1012	X-30ST	\$124.00	Std. Angle	Swanstrom	893	✓	27	29.5	27.5	374g
5033	GN30AP	\$131.00	Std. Angle	Gimatic	894	✓	31.5	34.5	33	382g
1572	GSN-F9P	\$101.50	Std. Angle	Nile	894	✓	29.5	32.5	30	410g
1573	GSN-FD9P	\$106.50	Deep Angle	Nile	896	✓	26	29	26	410g
613	GSN-N30-PF	\$132.00	Deep Angle	Vessel	895	✓	26	28.5	26.5	376g
1013	X-30-DA	\$124.00	Deep Angle	Swanstrom	895	✓	25	27	25.5	388g
5034	GN30PF	\$137.00	Deep Angle	Gimatic	896	✓	26	29.5	27	386g
697	GSN-N30-AA	\$423.00	Deep, Long	Vessel	897	✗	36.5	40	37.5	372g
1097	X-30-LA	\$212.00	Deep, Long	Swanstrom	897	✗	32	35	32.5	378g
1026	X-30-DA75	\$355.00	Extra Deep	Swanstrom	898	✗	20.5	22.5	21	416g
1027	X-30-DA90	\$356.00	Extra Deep	Swanstrom	898	✗	17.5	19	17.5	432g
614	GSN-N30-AJL	\$188.00	Inline	Vessel	900	✓	33.5	37	34.5	470g
1014	X-30-LI	\$172.00	Inline	Swanstrom	901	✓	32.5	35.5	33.5	464g
5032	GN30AJ	\$144.00	Inline	Gimatic	900	✓	22	25	23.5	368g
1574	GSN-F9PS	\$101.50	Inline	Nile	901	✓	28	35	29.5	404g
1041	X-30-OS	\$446.00	Offset	Swanstrom	902	✗	32	35.5	33.5	494g
1042	X-30-OR	\$482.00	Offset	Swanstrom	902	✗	34	37	34.5	494g
615	GSN-N30-AE	\$144.00	Perpendicular	Vessel	899	✓	20	22	20.5	386g
1015	X-30-PE	\$135.00	Perpendicular	Swanstrom	899	✓	19	21	19.5	374g

\*Note: Tip-to-tip opening dimensions are approximate and can vary from blade to blade because blades are hand finished.

Carbide and Custom blades are available, call EMI.

### Gimatic Blade Covers:

- Gimatic blades include protective blade covers, if you need additional covers they are listed here.
- Cover snaps into profile for storage, and ring can be used for zip-ties.



Gimatic Size 30 & 50 Blade Covers

Quick#	Part#	Price
6087	COJ30	\$2.59

### Universal Blade Covers:

- Provides protection without compressing the nipper blade's spring.
- See reference chart above for compatibility.

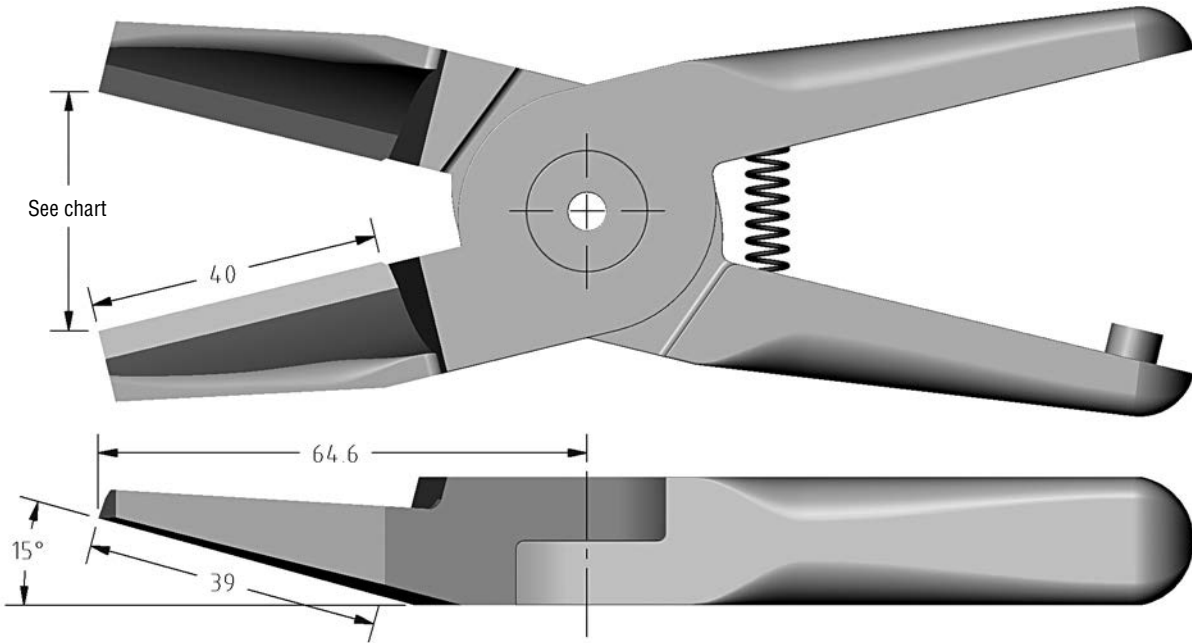


Universal Size 50 Blade Covers

Quick#	Part#	Price
2057	GSN-BC-50	\$21.47

**Blades for Size 50 Nippers**

(Dimensioned drawings shown full scale)

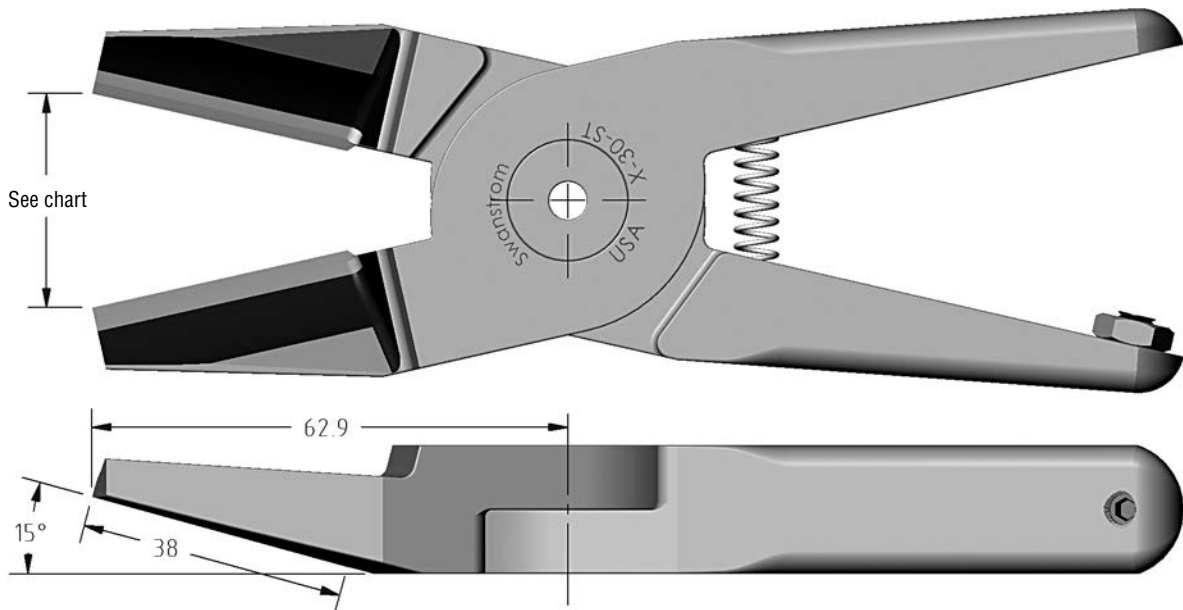


Vessel

Quick#	Part#	Price	Ø Sprue	Wt.
612	GSN-N30-AP	\$128.00	18mm	358g
Replacement Spring				
1285	SPR-05	\$2.20		

Size 50 Nipper Body Tip to Tip Opening\*

Vessel	Gimatic	Swanstrom	Nile	OEM
No	32mm	35.5mm	33.5mm	32mm



Swanstrom

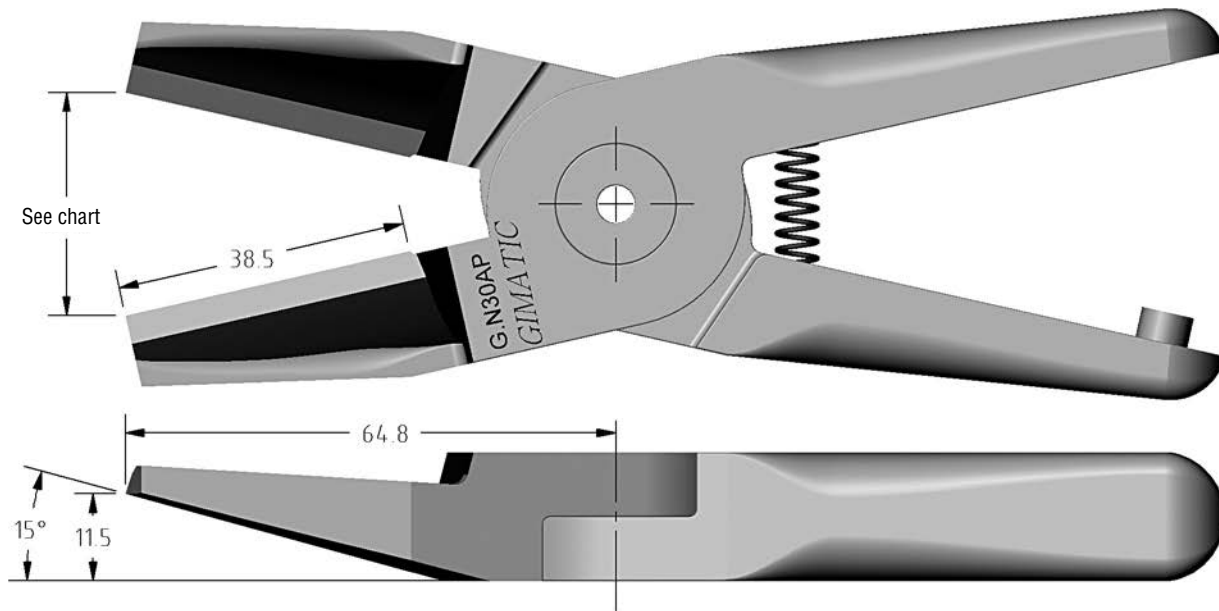
Quick#	Part#	Price	Ø Sprue	Wt.
1012	X-30-ST	\$124.00	18mm	374g
Replacement Spring				
1043	GSN-SP-031	\$2.60		

Size 50 Nipper Body Tip to Tip Opening\*

Vessel	Gimatic	Swanstrom	Nile	OEM
No	27mm	29.5mm	27.5mm	27mm

## Blades for Size 50 Nippers

(Dimensioned drawings shown full scale)

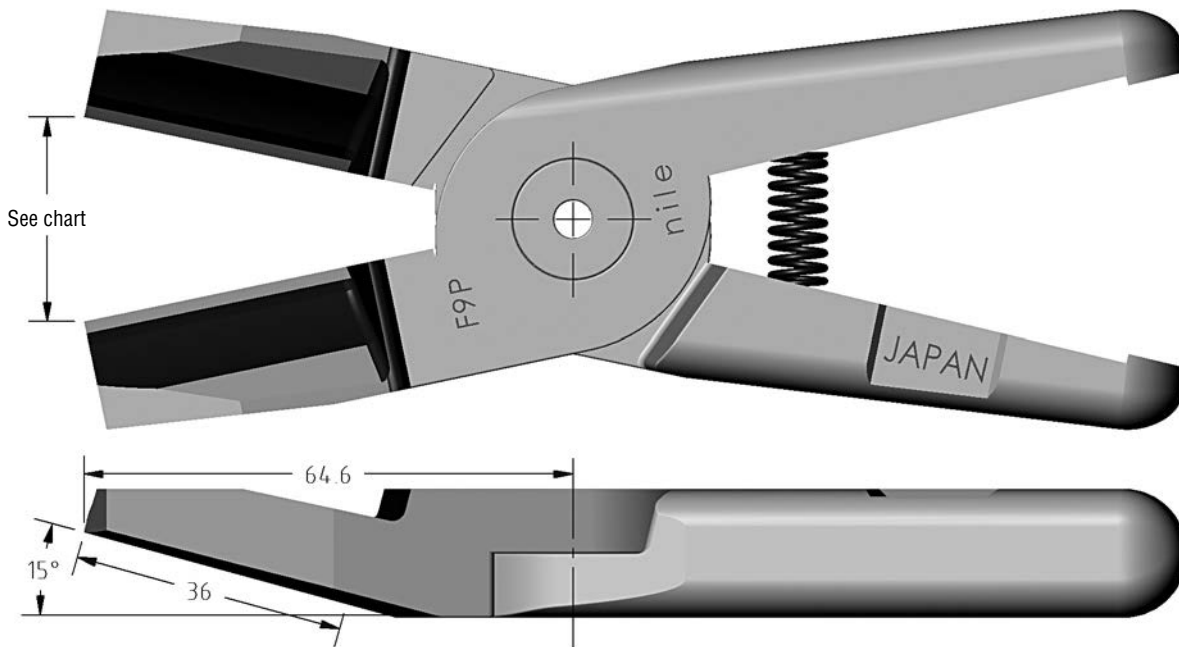


Gimatic

Quick#	Part#	Price	Ø Sprue	Wt.
5033	GN30AP	\$131.00	18mm	383g
Replacement Spring				
1285	SPR-05	\$2.20		

Size 50 Nipper Body Tip to Tip Opening\*

Vessel	Gimatic	Swanstrom	Nile	OEM
No	31.5mm	34.5mm	33mm	31.5mm



Nile

Quick#	Part#	Price	Ø Sprue	Wt.
1572	GSN-F9P	\$101.50	18mm	410g
Replacement Spring				
2301	855-3090	\$2.09		

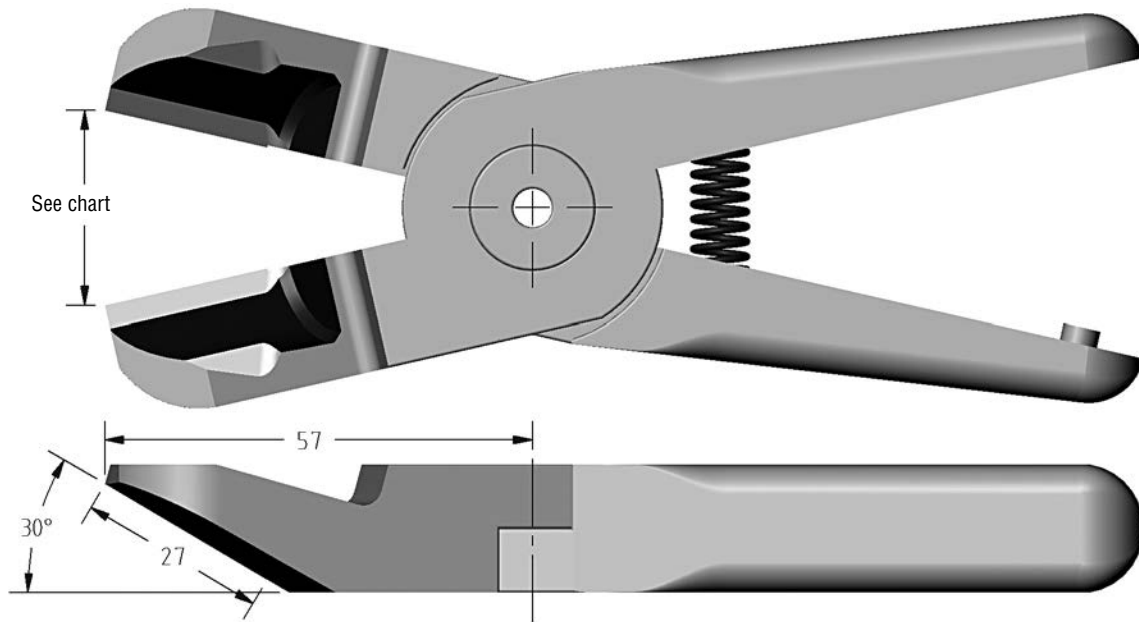
Size 50 Nipper Body Tip to Tip Opening\*

Vessel	Gimatic	Swanstrom	Nile	OEM
No	29.5mm	32.5mm	30mm	29.5mm



**Blades for Size 50 Nippers**

(Dimensioned drawings shown full scale)

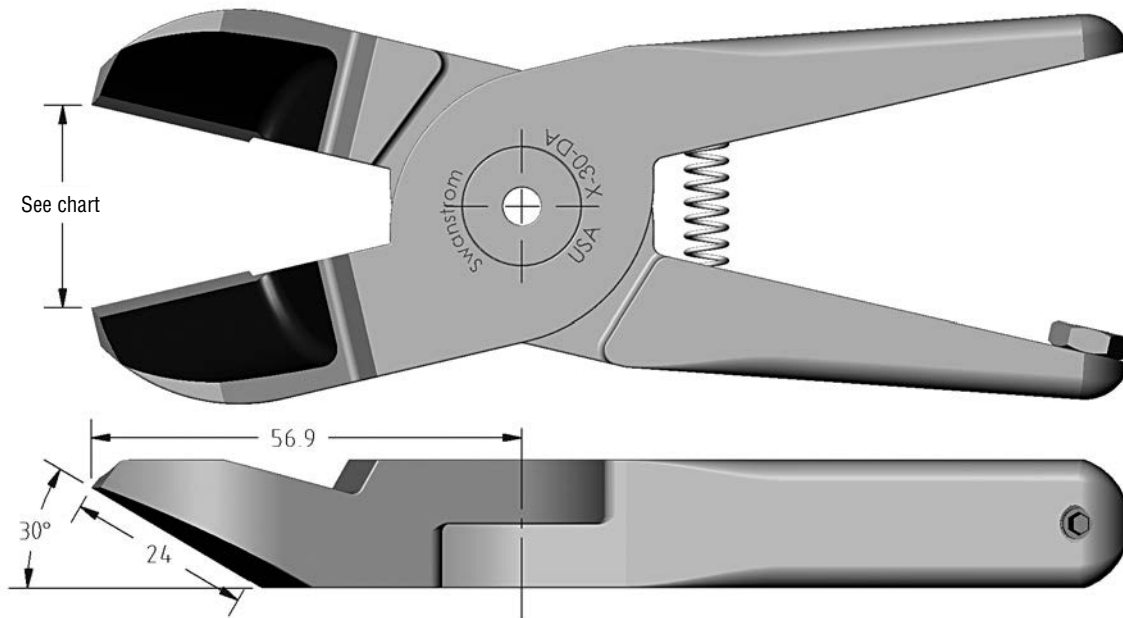


Vessel

Quick#	Part#	Price	Ø Sprue	Wt.
613	GSN-N30-PF	\$132.00	18mm	376g
Replacement Spring				
1285	SPR-05	\$2.20		

Size 50 Nipper Body Tip to Tip Opening\*

Vessel	Gimatic	Swanstrom	Nile	OEM
No	26mm	28.5mm	26.5mm	26mm



Swanstrom

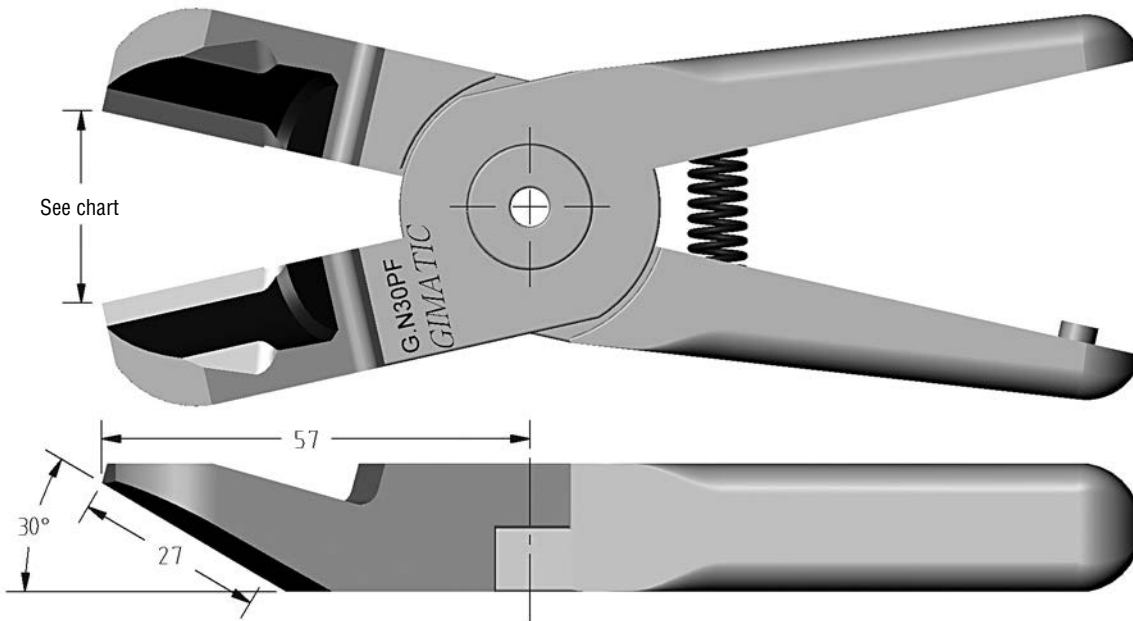
Quick#	Part#	Price	Ø Sprue	Wt.
1013	X-30-DA	\$124.00	18mm	388g
Replacement Spring				
1043	GSN-SP-031	\$2.60		

Size 50 Nipper Body Tip to Tip Opening\*

Vessel	Gimatic	Swanstrom	Nile	OEM
No	25mm	27mm	25.5mm	25mm

## Blades for Size 50 Nippers

(Dimensioned drawings shown full scale)

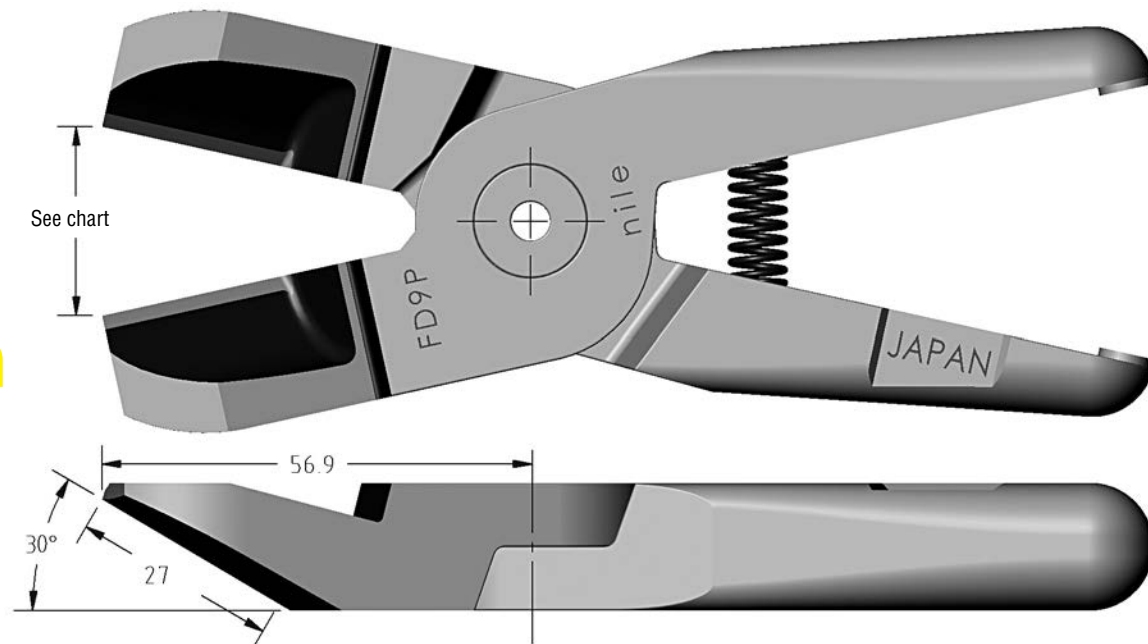


Gimatic

Quick#	Part#	Price	Ø Sprue	Wt.
5034	GN30PF	\$137.00	18mm	386g
Replacement Spring				
1285	SPR-05	\$2.20		

Size 50 Nipper Body Tip to Tip Opening\*

Vessel	Gimatic	Swanstrom	Nile	OEM
No	26mm	29.5mm	27mm	26mm



Nile

Quick#	Part#	Price	Ø Sprue	Wt.
1573	GSN-FD9P	\$106.50	18mm	410g
Replacement Spring				
2301	855-3090	\$2.09		

Size 50 Nipper Body Tip to Tip Opening\*

Vessel	Gimatic	Swanstrom	Nile	OEM
No	26mm	29mm	26mm	26mm

**Blades for Size 50 Nippers**

(Dimensioned drawings shown full scale)

See chart

74

50

30°

Vessel				
Quick#	Part#	Price	Ø Sprue	Wt.
697	GSN-N30-AA	\$423.00	18mm	372g
Replacement Spring				
1285	SPR-05	\$2.20		

Size 50 Nipper Body Tip to Tip Opening*				
Vessel	Gimatic	Swanstrom	Nile	OEM
No	36.5mm	40mm	37.5mm	36.5mm

See chart

75

53

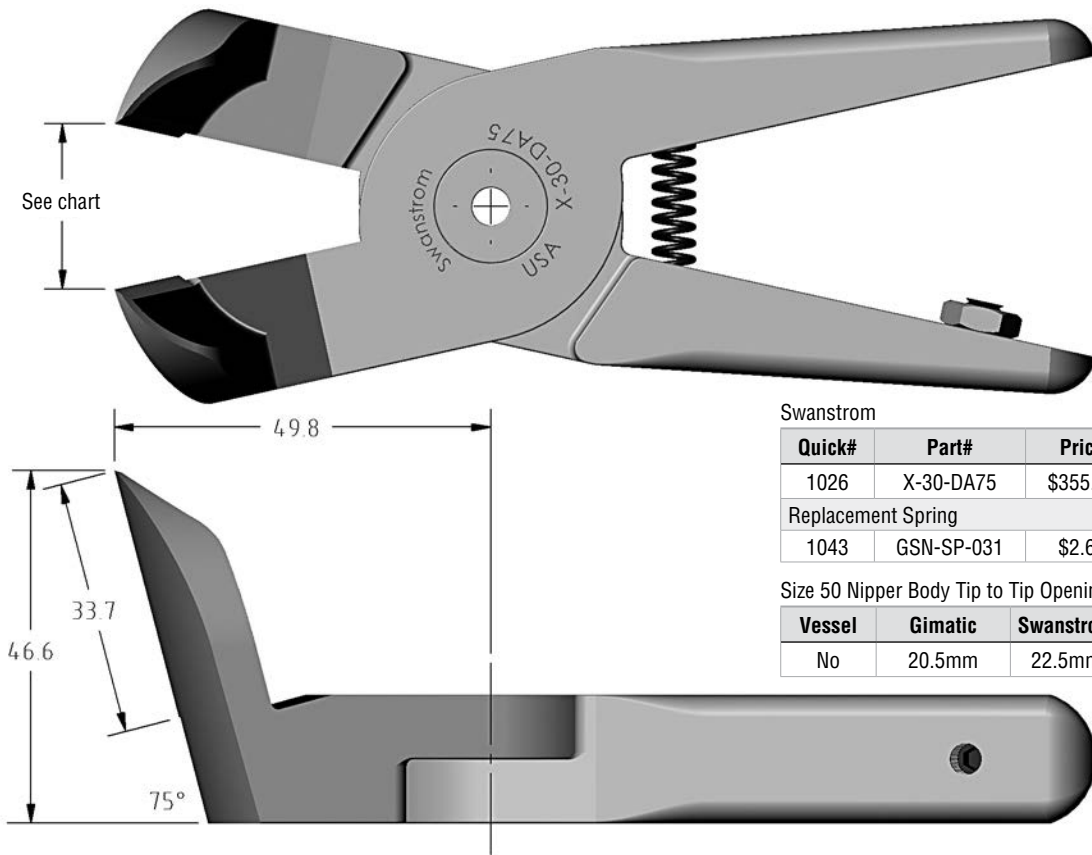
30°

Swanstrom				
Quick#	Part#	Price	Ø Sprue	Wt.
1097	X-30-LA	\$212.00	18mm	378g
Replacement Spring				
1043	GSN-SP-031	\$2.60		

Size 50 Nipper Body Tip to Tip Opening*				
Vessel	Gimatic	Swanstrom	Nile	OEM
No	32mm	35mm	32.5mm	32mm

# Blades for Size 50 Nippers

(Dimensioned drawings shown full scale)

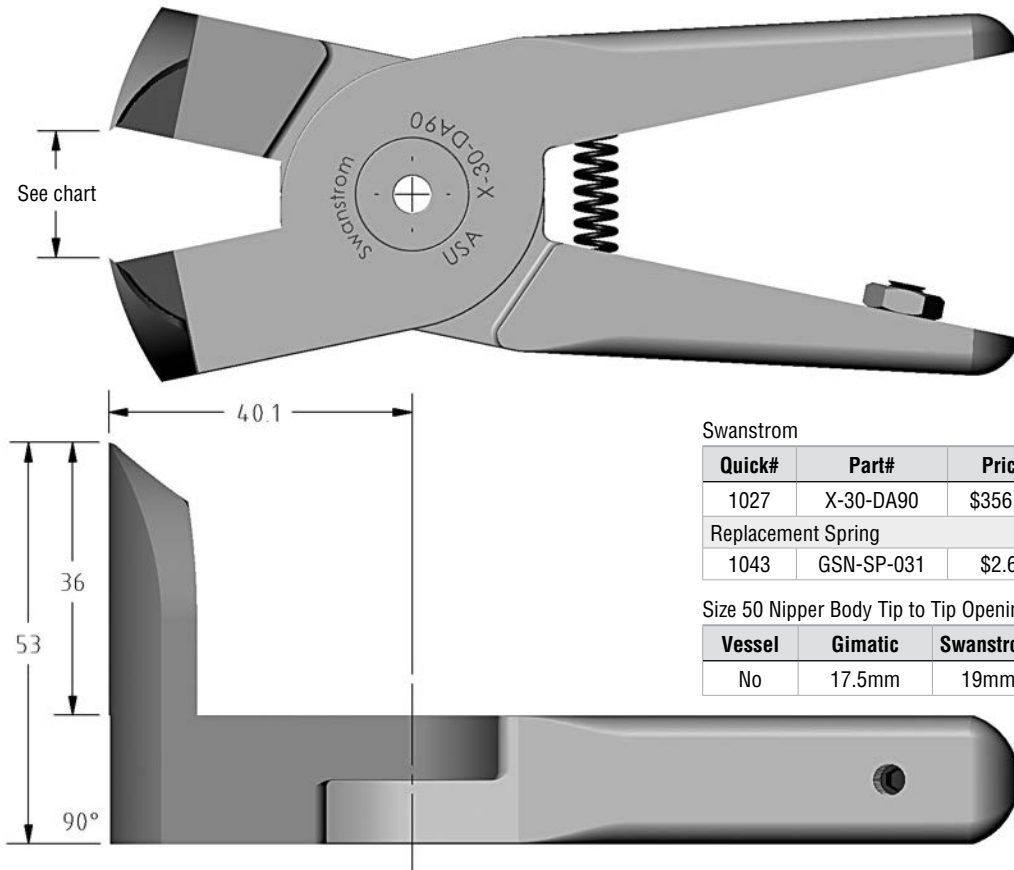


Swanstrom

Quick#	Part#	Price	Ø Sprue	Wt.
1026	X-30-DA75	\$355.00	14mm	416g
Replacement Spring				
1043	GSN-SP-031	\$2.60		

Size 50 Nipper Body Tip to Tip Opening\*

Vessel	Gimatic	Swanstrom	Nile	OEM
No	20.5mm	22.5mm	21mm	20.5mm



Swanstrom

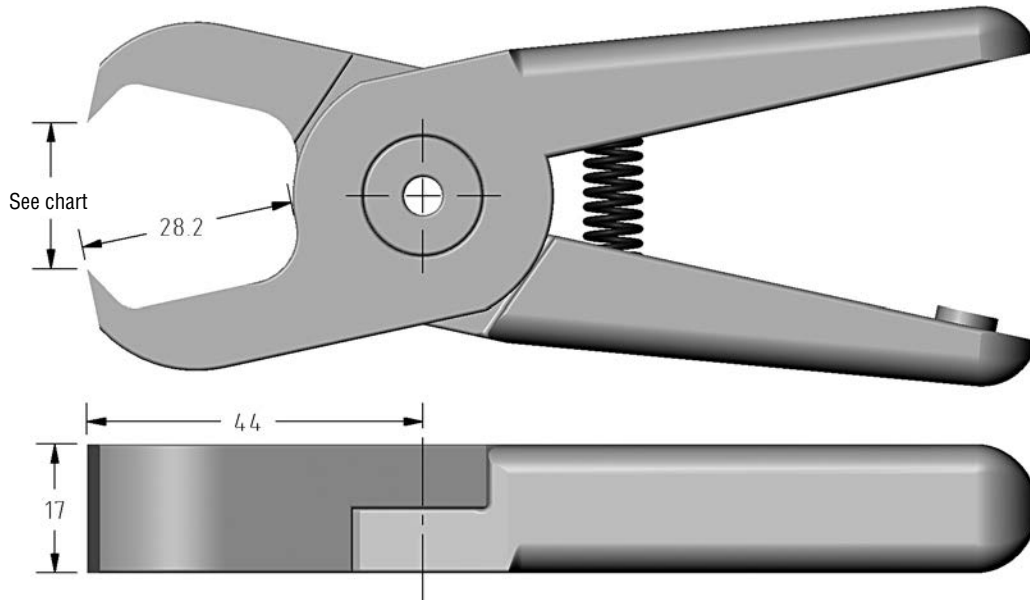
Quick#	Part#	Price	Ø Sprue	Wt.
1027	X-30-DA90	\$356.00	14mm	432g
Replacement Spring				
1043	GSN-SP-031	\$2.60		

Size 50 Nipper Body Tip to Tip Opening\*

Vessel	Gimatic	Swanstrom	Nile	OEM
No	17.5mm	19mm	17.5mm	17.5mm

**Blades for Size 50 Nippers**

(Dimensioned drawings shown full scale)

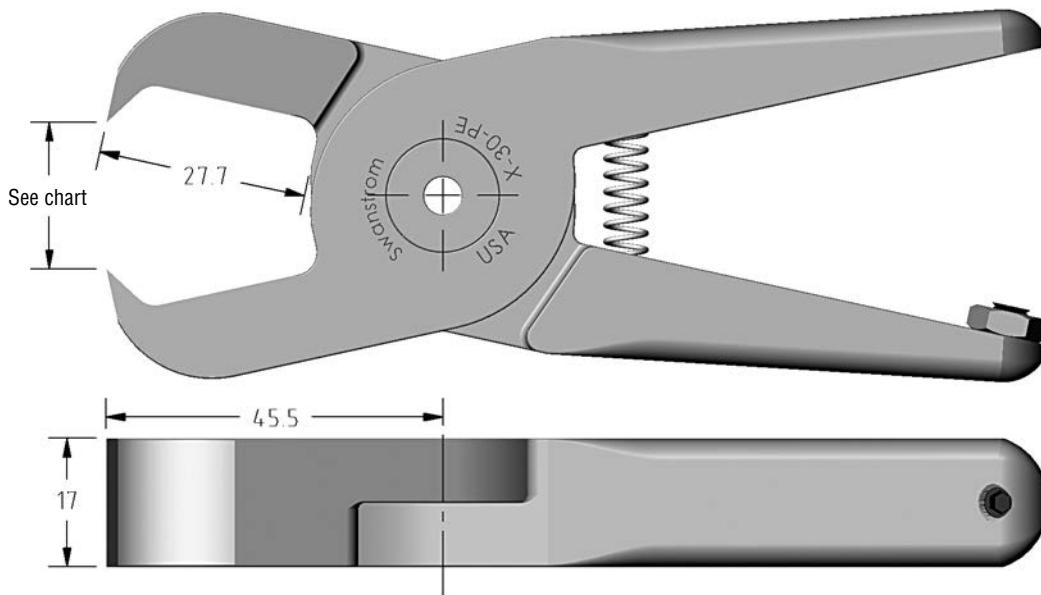


Vessel

Quick#	Part#	Price	Ø Sprue	Wt.
615	GSN-N30-AE	\$144.00	14mm	386g
Replacement Spring				
1285	SPR-05	\$2.20		

Size 50 Nipper Body Tip to Tip Opening\*

Vessel	Gimatic	Swanstrom	Nile	OEM
No	20mm	22mm	20.5mm	20mm



Swanstrom

Quick#	Part#	Price	Ø Sprue	Wt.
1015	X-30-PE	\$135.00	14mm	374g
Replacement Spring				
1043	GSN-SP-031	\$2.60		

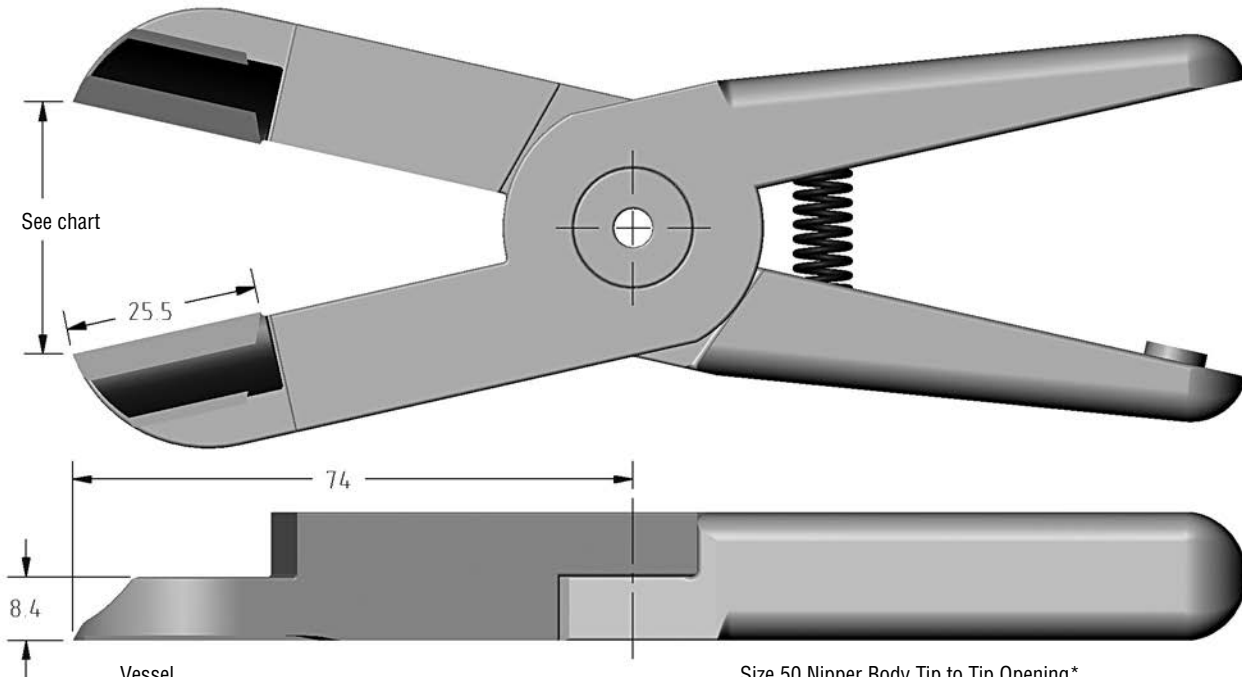
Size 50 Nipper Body Tip to Tip Opening\*

Vessel	Gimatic	Swanstrom	Nile	OEM
No	19mm	21mm	19.5mm	19mm



# Blades for Size 50 Nippers

(Dimensioned drawings shown full scale)

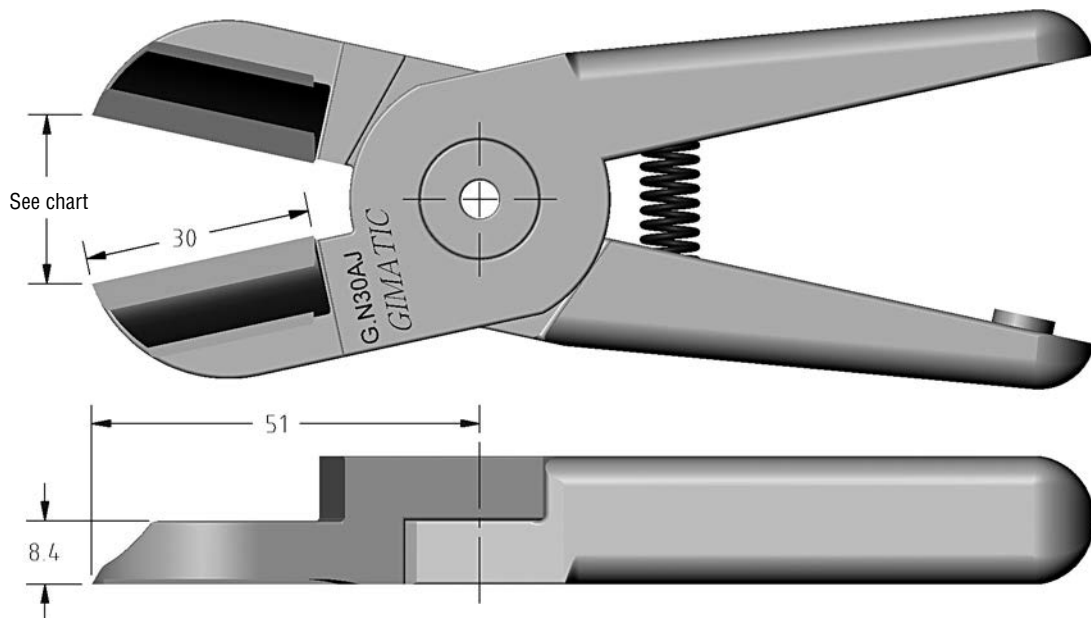


Vessel

Quick#	Part#	Price	Ø Sprue	Wt.
614	GSN-N30-AJL	\$188.00	18mm	470g
Replacement Spring				
1285	SPR-05	\$2.20		

Size 50 Nipper Body Tip to Tip Opening\*

Vessel	Gimatic	Swanstrom	Nile	OEM
No	33.5mm	37mm	34.5mm	33.5mm



Gimatic

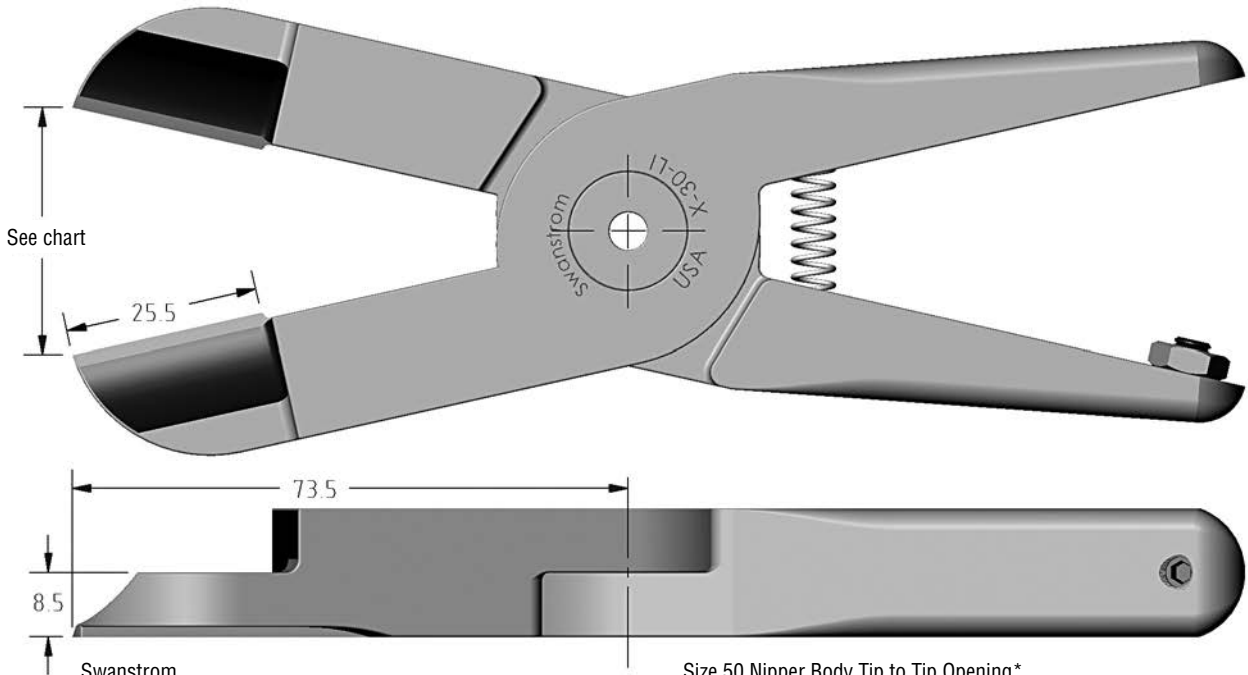
Quick#	Part#	Price	Ø Sprue	Wt.
5032	GN30AJ	\$144.00	18mm	368g
Replacement Spring				
1285	SPR-05	\$2.20		

Size 50 Nipper Body Tip to Tip Opening\*

Vessel	Gimatic	Swanstrom	Nile	OEM
No	22mm	25mm	23.5mm	22mm

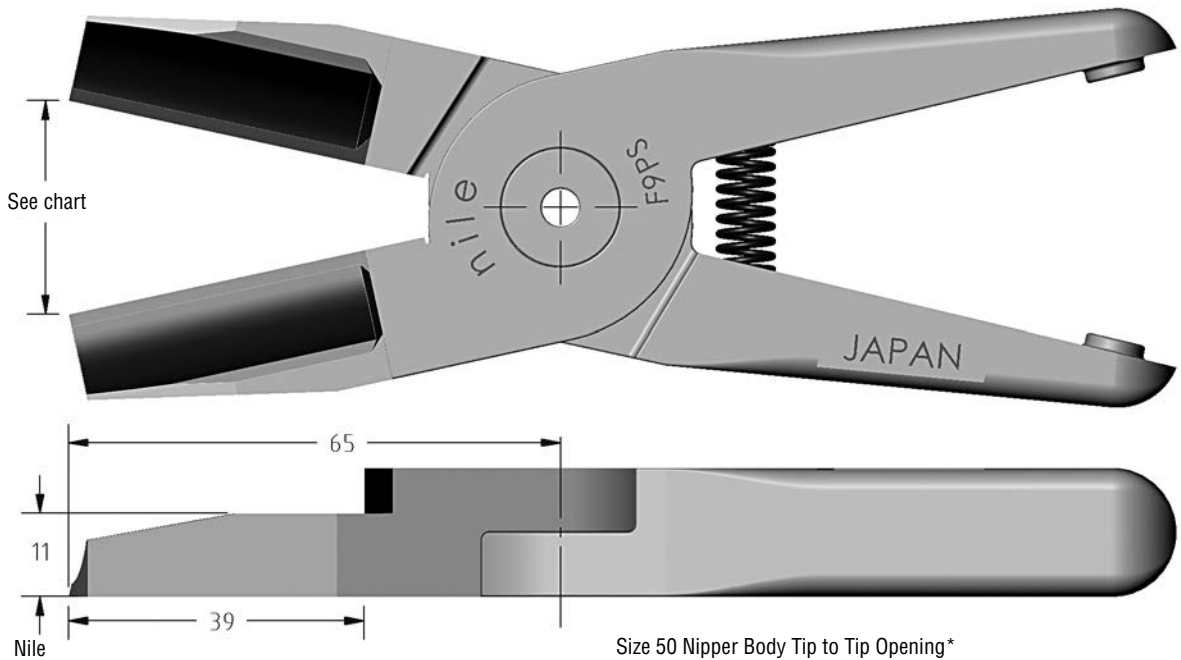
**Blades for Size 50 Nippers**

(Dimensioned drawings shown full scale)



Quick#	Part#	Price	Ø Sprue	Wt.
1014	X-30-LI	\$172.00	18mm	464g
Replacement Spring				
1043	GSN-SP-031	\$2.60		

Vessel	Gimatic	Swanstrom	Nile	OEM
No	32.5mm	35.5mm	33.5mm	32.5mm

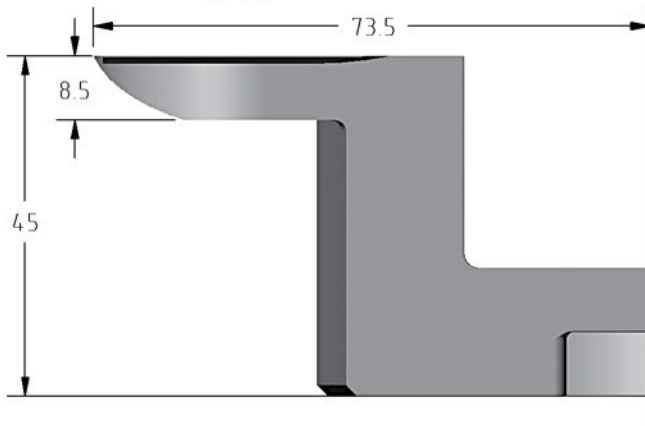
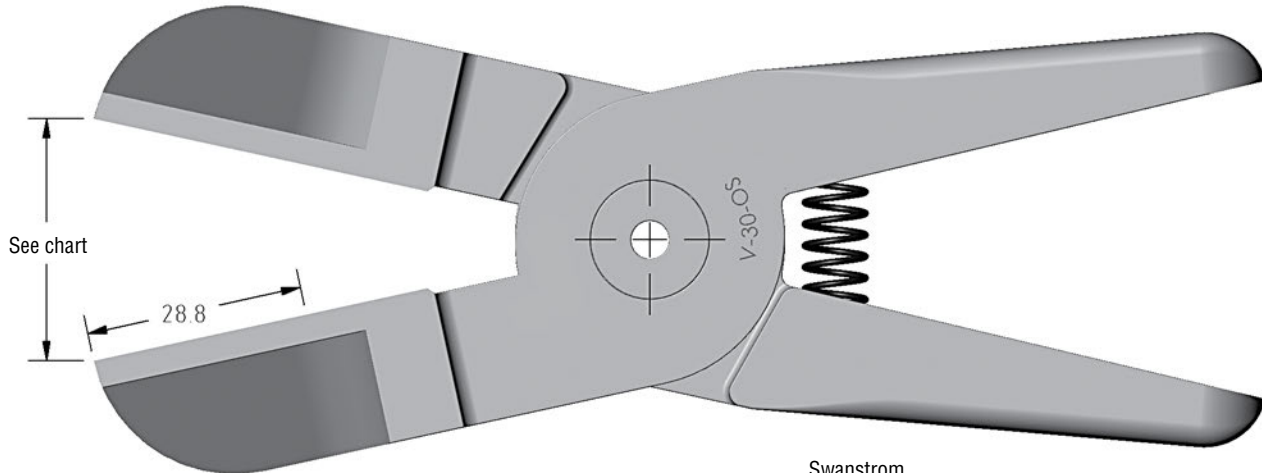


Quick#	Part#	Price	Ø Sprue	Wt.
1574	GSN-F9PS	\$101.50	18mm	404g
Replacement Spring				
2301	855-3090	\$2.09		

Vessel	Gimatic	Swanstrom	Nile	OEM
No	28mm	35mm	29.5mm	28mm

# Blades for Size 50 Nippers

(Dimensioned drawings shown full scale)

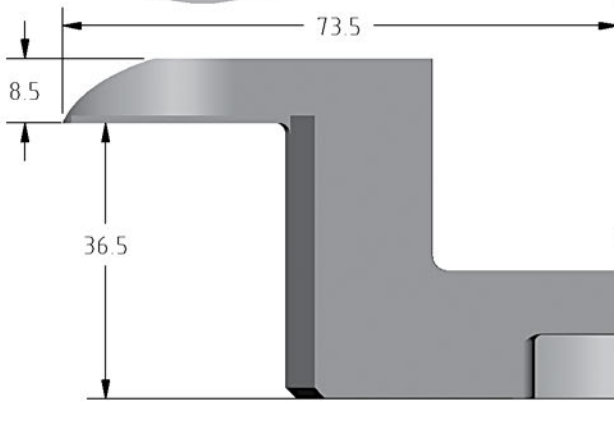
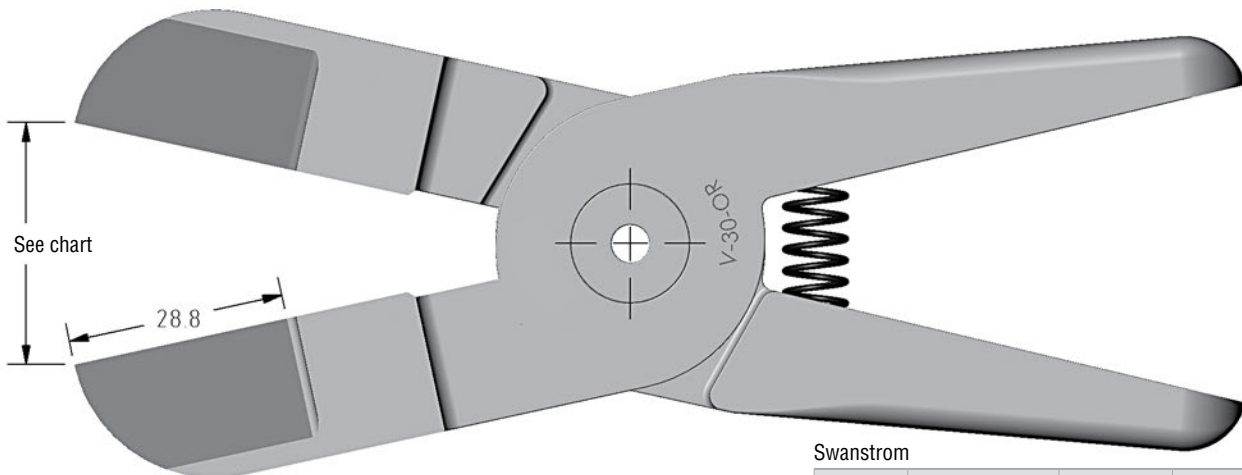


Swanstrom

Quick#	Part#	Price	Ø Sprue	Wt.
1041	X-30-OS	\$446.00	18mm	494g
Replacement Spring				
1043	GSN-SP-031	\$2.60		

Size 50 Nipper Body Tip to Tip Opening\*

Vessel	Gimatic	Swanstrom	Nile	OEM
No	32mm	35.5mm	33.5mm	32mm



Swanstrom

Quick#	Part#	Price	Ø Sprue	Wt.
1042	X-30-OR	\$482.00	18mm	494g
Replacement Spring				
1043	GSN-SP-031	\$2.60		

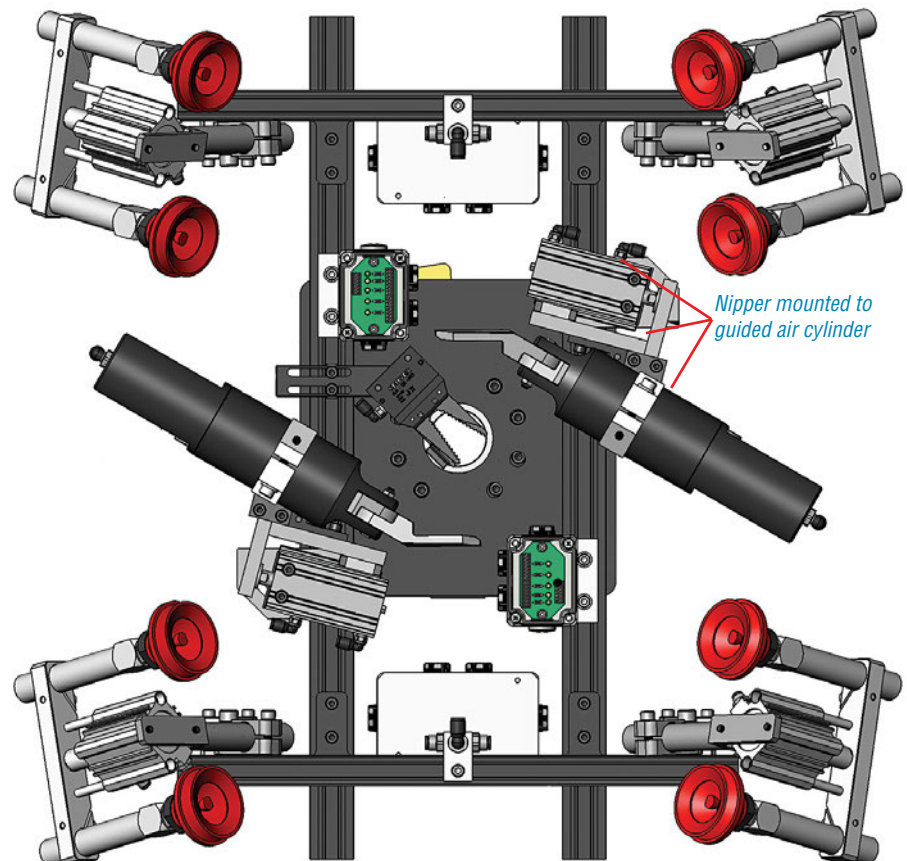
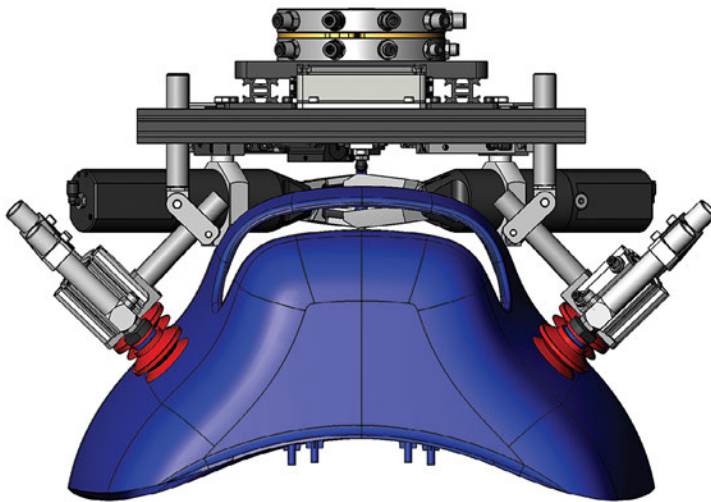
Size 50 Nipper Body Tip to Tip Opening\*

Vessel	Gimatic	Swanstrom	Nile	OEM
No	34mm	37mm	34.5mm	34mm

**EOAT Design and Build Service**

From the simplest to the most complex EOAT, EMI specializes in designing and building customized End-of-Arm-Tooling— **Priced Competitively.**

Get started by sending us a sample part or 3D part file and a completed datasheet (see page 1082). Our experienced EOAT engineers will design a tool for you and provide you 3D CAD renderings at no cost or obligation. We'll also provide pricing for the tool should you want to purchase the EOAT completely assembled.



## Thrust-Cut Nippers

- Two sizes available.
- Optional sensors.
- Optional blade heating system.
- The blades are available as spare parts.
- Flow controls included for use with Ø6mm tubing.

Watch our Thrust-Cut Nipper video!

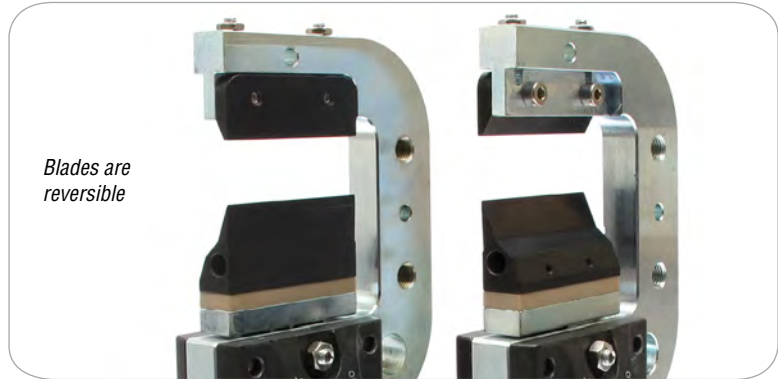
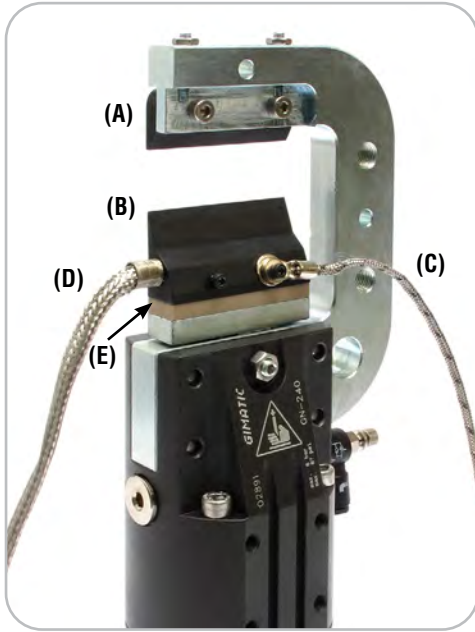


Part#	GN-240	GN-263
Quick#	6693	6691
Price	\$1326.00	\$1643.00
Blade width	50mm	76mm
Stroke	20mm	31.5mm
Piston bore	Ø40mm	Ø63mm
Pressure range	36–87 psi	
Nipper body temperature range	41°–140°F	
Nipper blade max. temperature	482°F*	
Closing force at 87psi	330 lbf	820 lbf
Weight	1330g	2900g

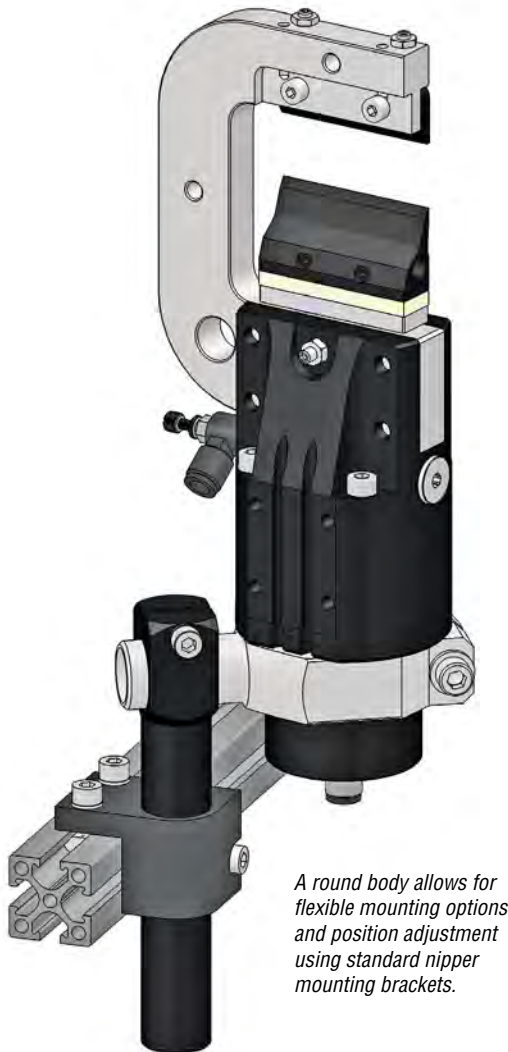
\*Call EMI if your application requires blade temperatures higher than 482°



# Thrust-Cut Nippers



Accessories	GN-240		GN-263	
	Quick#	Price	Quick#	Price
Spare top blade (A)	5620	\$51.60	5617	\$59.90
Spare bottom blade (B)	5619	\$147.60	5616	\$167.40
Thermocouple (C)	5626	\$27.50	5626	\$27.50
Blade heater (D)	5625	\$68.85	5624	\$72.20
High Temp Mica Insulation (E)	7345	\$44.00	7344	\$44.00



Using more than one thrust cut nipper? We also offer 2-, 3-, & 4-Zone control consoles. Multi-zone temperature controllers allow the temperature of each blade to be monitored individually.

Temperature Control Boxes

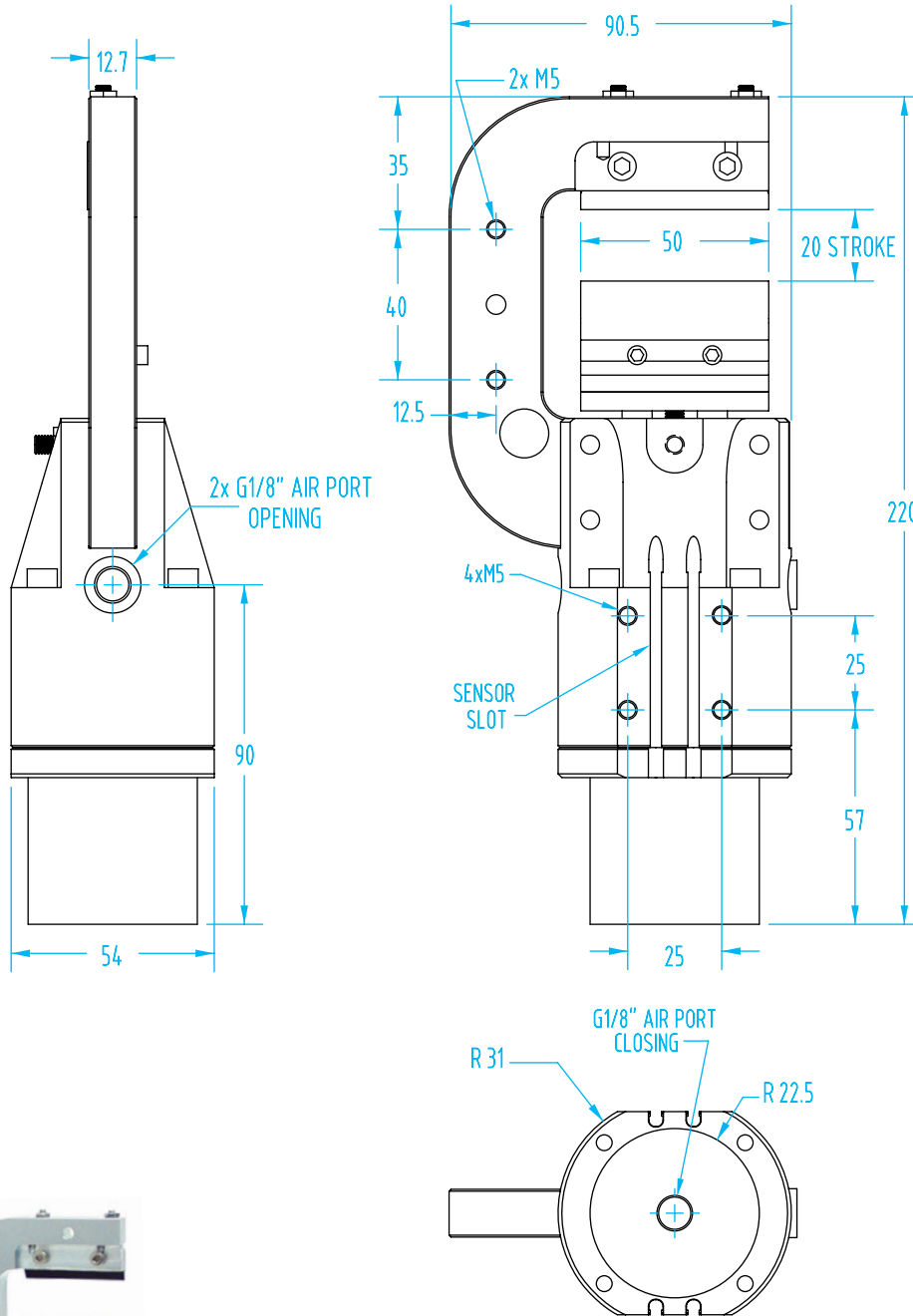
Quick#	Part#	# of Zones	Price
5623	GSE-TCHP-CM	1	\$630.00
2662	GSE-TCHP-CM2	2	\$991.00
2663	GSE-TCHP-CM3	3	\$1,480.00
2664	GSE-TCHP-CM4	4	\$1,954.00

Quick#	Part#	Type	Connection	Price
<b>3-wire, SS type 'C' slot sensor</b>				
1882	SS4N225G	PNP	2.5m lead	\$27.20
1883	SS4M225G	NPN	2.5m lead	\$27.20
6282	SS3N203G	PNP	M8 connector	\$31.16
1884	SS3M203G	NPN	M8 connector	\$31.16

## 2" Thrust-Cut Nipper

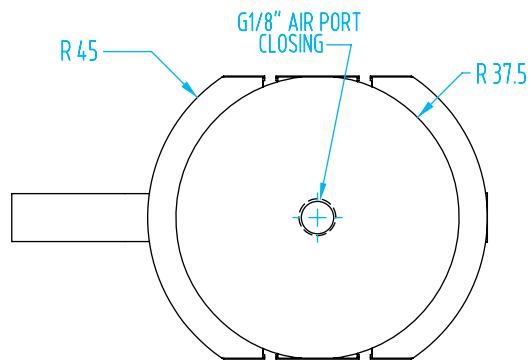
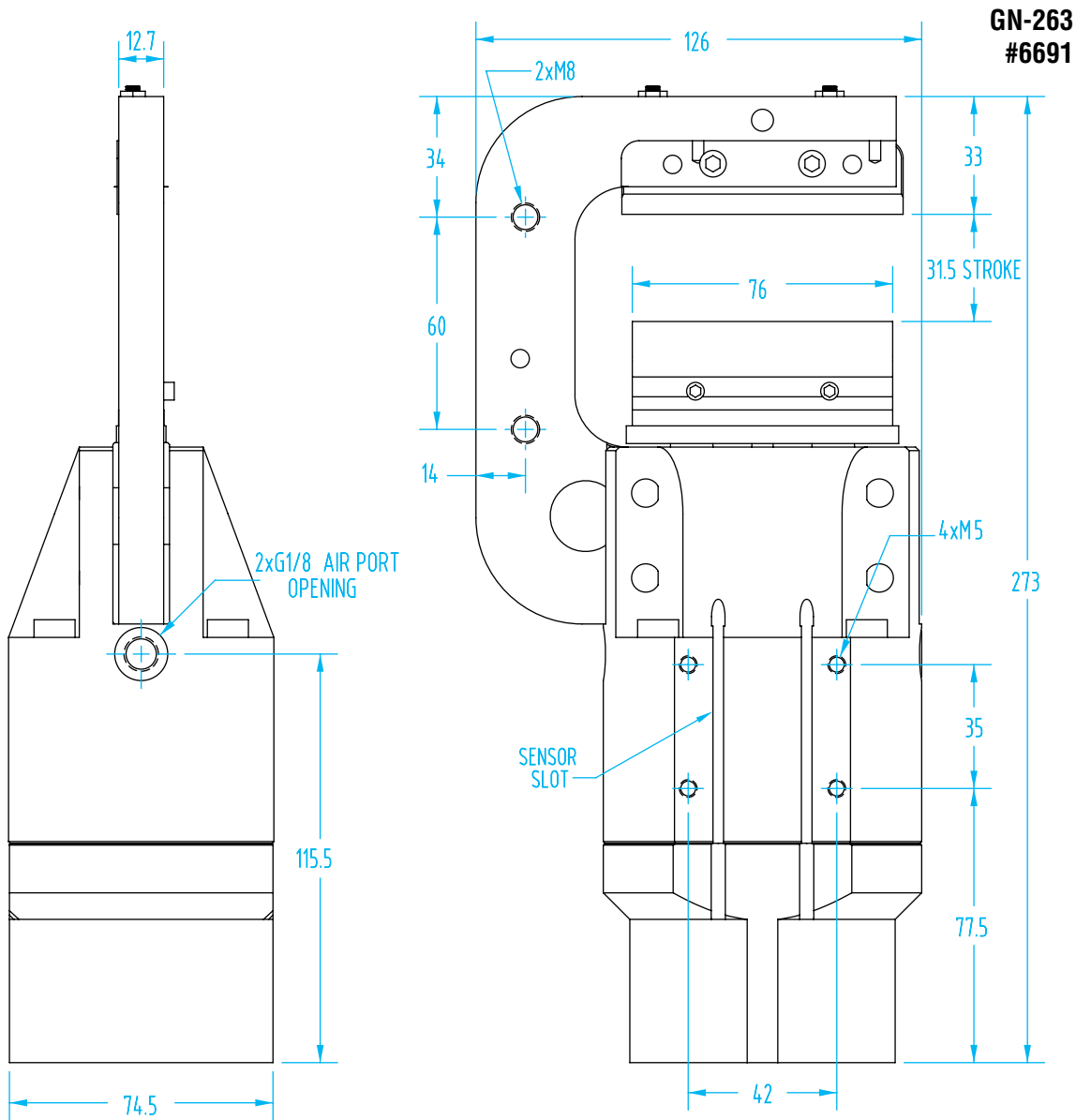
(Dimensioned drawing shown half scale)

GN-240  
#6693

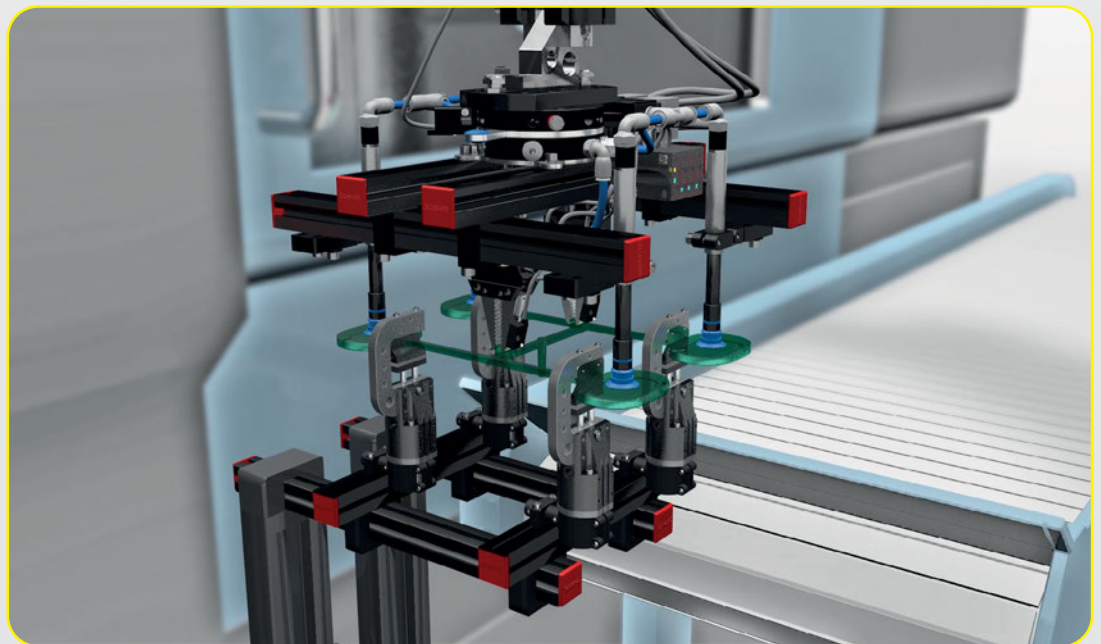
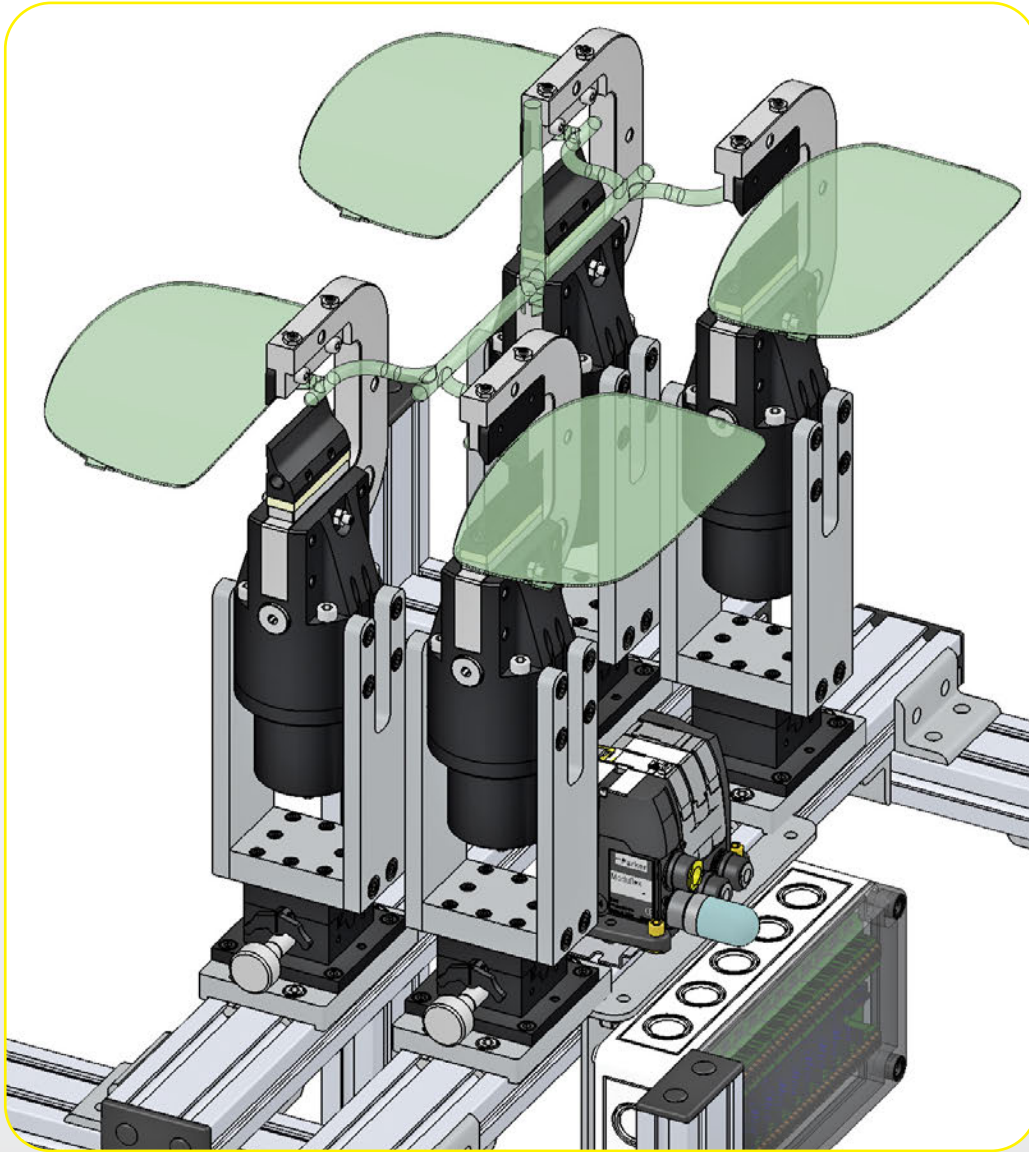


### 3" Thrust-Cut Nipper

(Dimensioned drawing shown half scale)

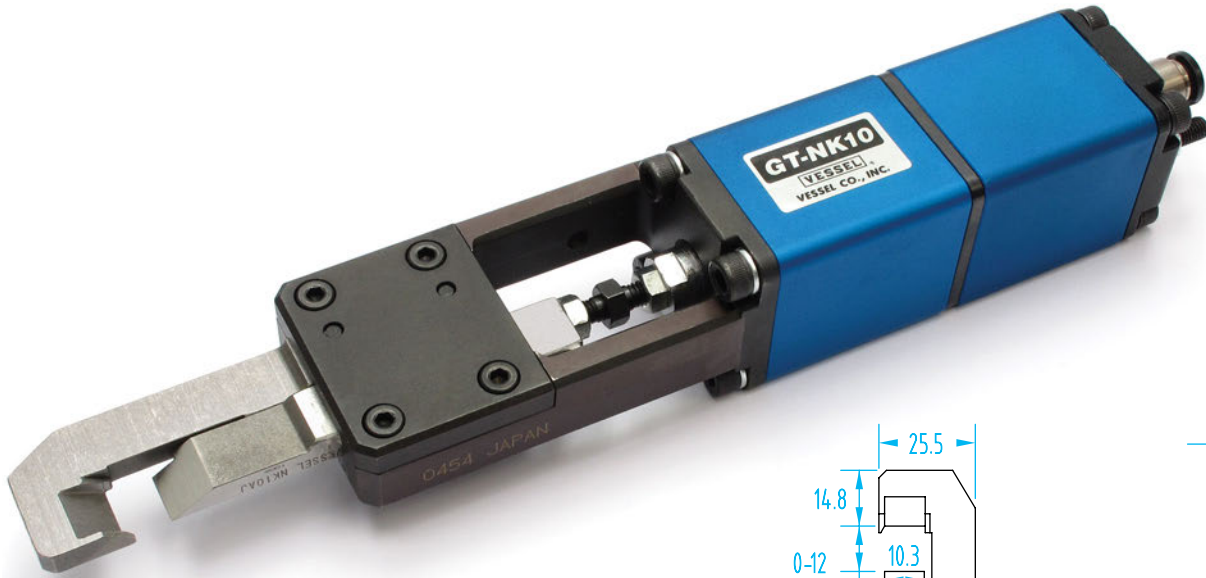


# Thrust-Cut Nipper Application Example

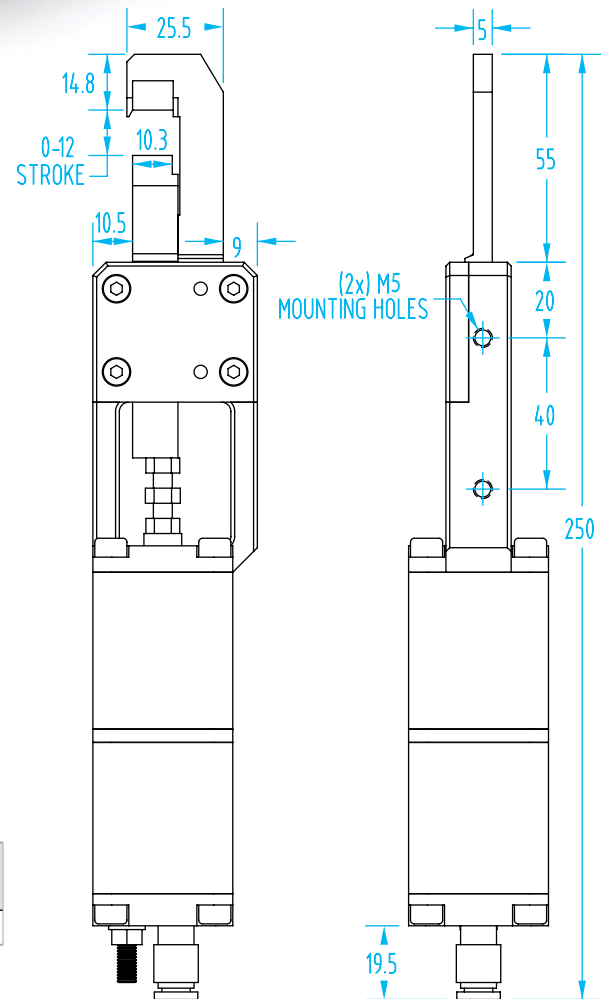


# Compact Thrust-Cut Nippers

(Dimensioned drawing shown half scale)



- Small, lightweight, and compact.
- Can cut fan gates as wide as 10mm.
- Adjustable blade stroke 0–12mm.
- Includes 6mm fitting.
- Pre-tapped mounting holes for easy installation.

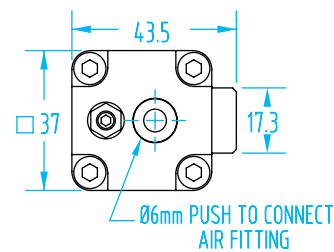


**Vessel Thrust-Cut Nippers**

Quick#	Part#	Price	Wt	Working Air Pressure	Cutting Cap Ø ABS	Stroke (mm)
2329	GT-NK10	\$1,114.00	800g	57–71 psi	5	12 max

**Replacement Thrust-Cut Nipper Blade**

Quick#	Part#	Nipper Model	Width (Max. Fan Gate Width)	Price
2330	NK10AJ	GT-NK10	10	\$396.00





# Blade Holder

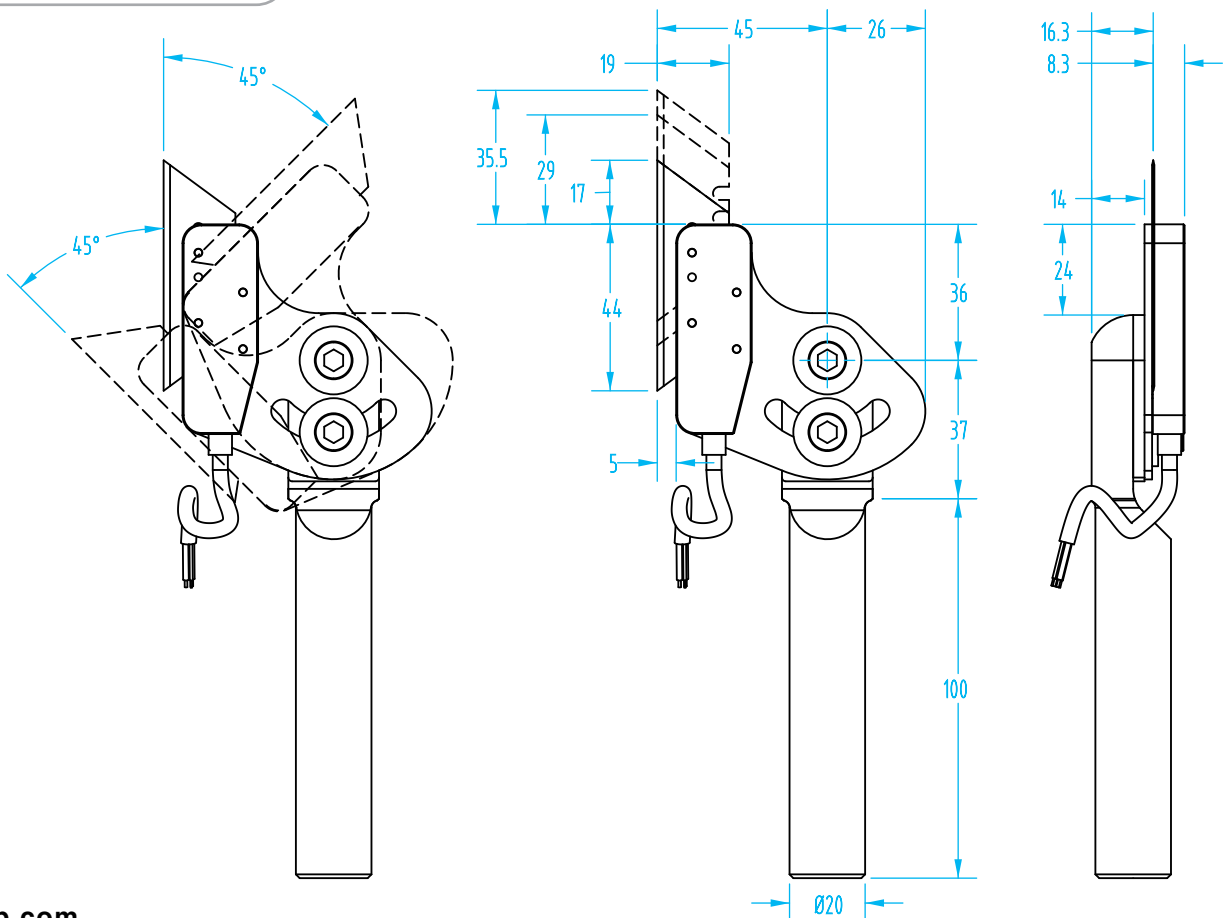
- Suitable for trimming, degating and deburring.
- Continuously adjustable angle from -45° to +45°.
- Cartridge heater can be mounted on either side.
- Optional heating system.
- Uses the same temp. control box as Gimatic Thrust Cut Nippers.
- Thermocouple and blade heater are 1 unit.
- Replacement Stanley® utility knife blades available.
- Can be used with the Heavy-duty Guided Cylinders on page 770.

(Dimensioned drawing shown half scale)



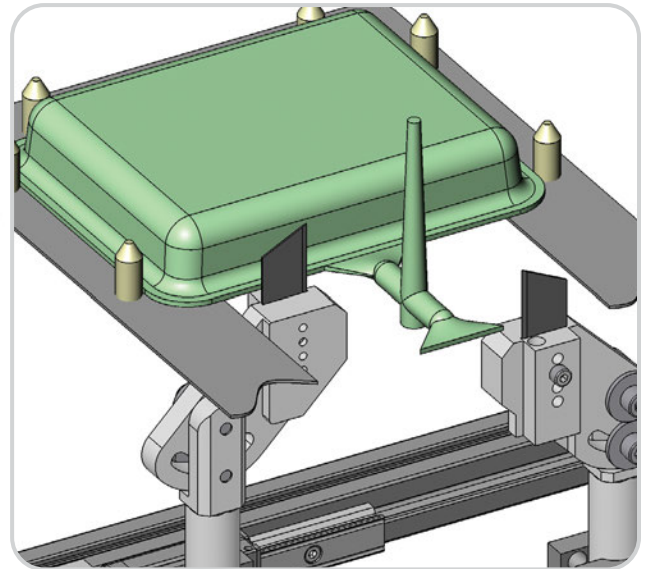
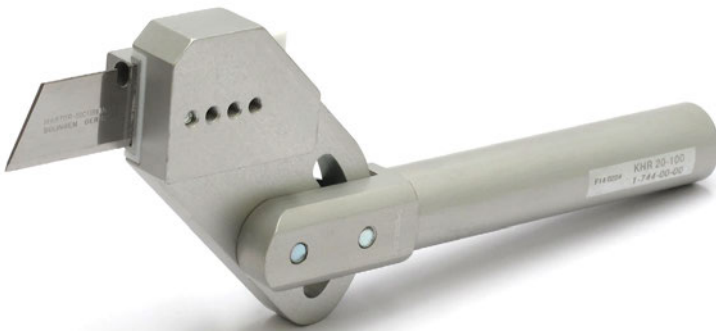
### Blade Holder

Quick#	Part#	Description	Price
7286	GNB-2045	Includes 1 blade. Weight: 175g	\$172.00
Accessories			
7301	376Y234-10	Spare Blade (in sets of 10)	\$17.60
5628	GSE-25200-CHTC	Blade Heater & Thermocouple 125w, 120v	\$76.38
5623	GSE-TCHP-CM	Heater Control Box	\$630.00



Blade Holder

(Dimensioned drawing shown half scale)

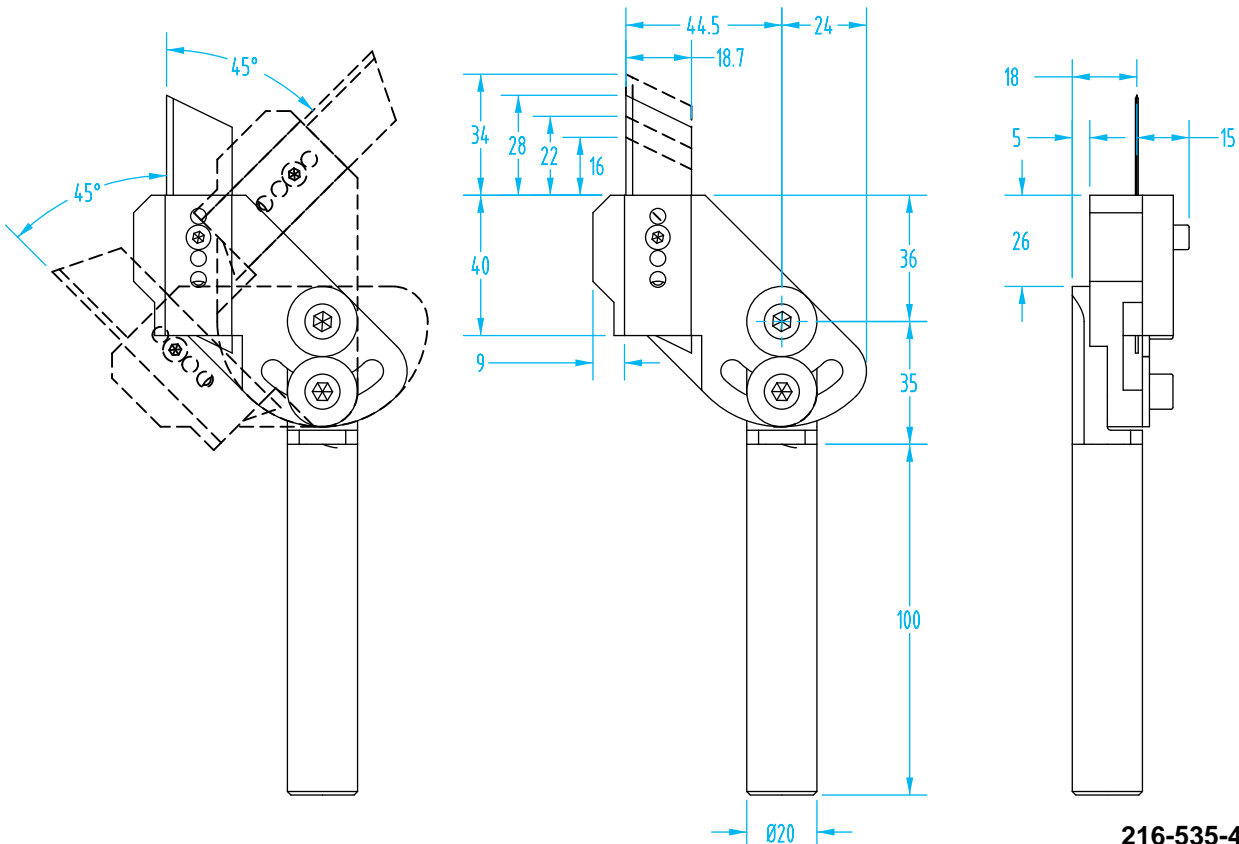


Can be used with the Heavy-duty Guided Cylinders on page 770.

- Suitable for trimming, degating and deburring.
- Continuously adjustable angle from -45° to +45°.
- Includes 5 blades, additional blades available.
- Cartridge heater can be mounted on either side.
- Optional heating system.
- Uses the same temp. control box as Gimatic Thrust Cut Nippers.
- Thermocouple and blade heater are 1 unit.

Blade Holder

Quick#	Part#	>ASS< #	Description	Price
3332	KHR-20-100	1-744-00-00	Includes 5 blades. Weight: 180g	\$288.75
Accessories				
3333	SKL-15	1-744-00-01	Spare Blade	\$5.25
2585	GSN-HC20-CHTC	9-05-100-03	Thermocouple / Blade Heater	\$136.00
5623	GSE-TCHP-CM	-	Heater Control Box	\$630.00



# Gimatic Nipper – Size 5

(Dimensioned drawings shown full scale)



These stationary and sliding Gimatic® nippers are ideal for mounting on end-of-arm toolings or automated machinery. Available in three sizes: 05, 10 & 20. The small dimensions create a low profile nipper.

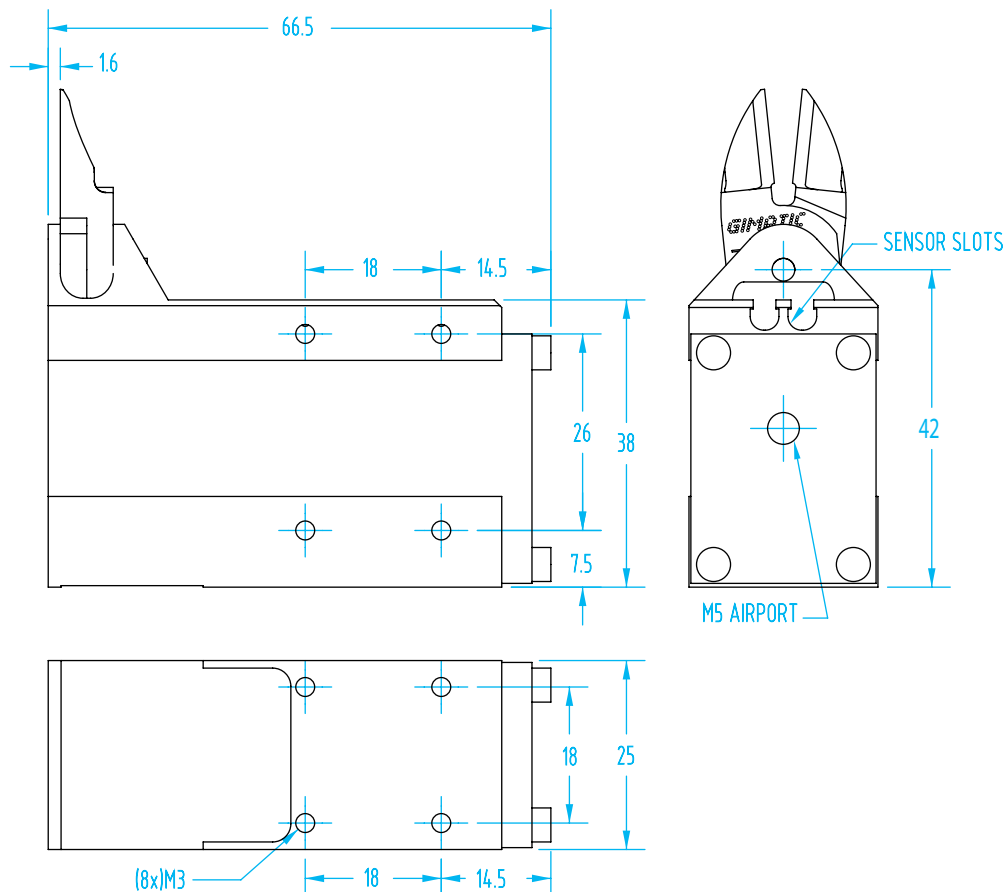
- Uses standard size 5 blades on pages 861–863.
- Blades can be reversed in nipper body
- Normally open and closed sliding models can also be used double acting.
- Sensor ready

GNS-05 Gimatic Nipper (Blades sold separately)

Type	Quick#	Part#	Price	Weight	Pressure Range	Slide Stroke	Cutting Cap. mm
Stationary	6961	GNS-05	\$226.00	112g	30–116 psi	3mm	Ø3mm
Sliding, Normally Closed	6962	GNS-05-NC	\$310.00	180g			
Sliding, Normally Open	6963	GNS-05-NO	\$310.00	175g			

Note: See page 918–919 for optional sensors and mounting brackets.

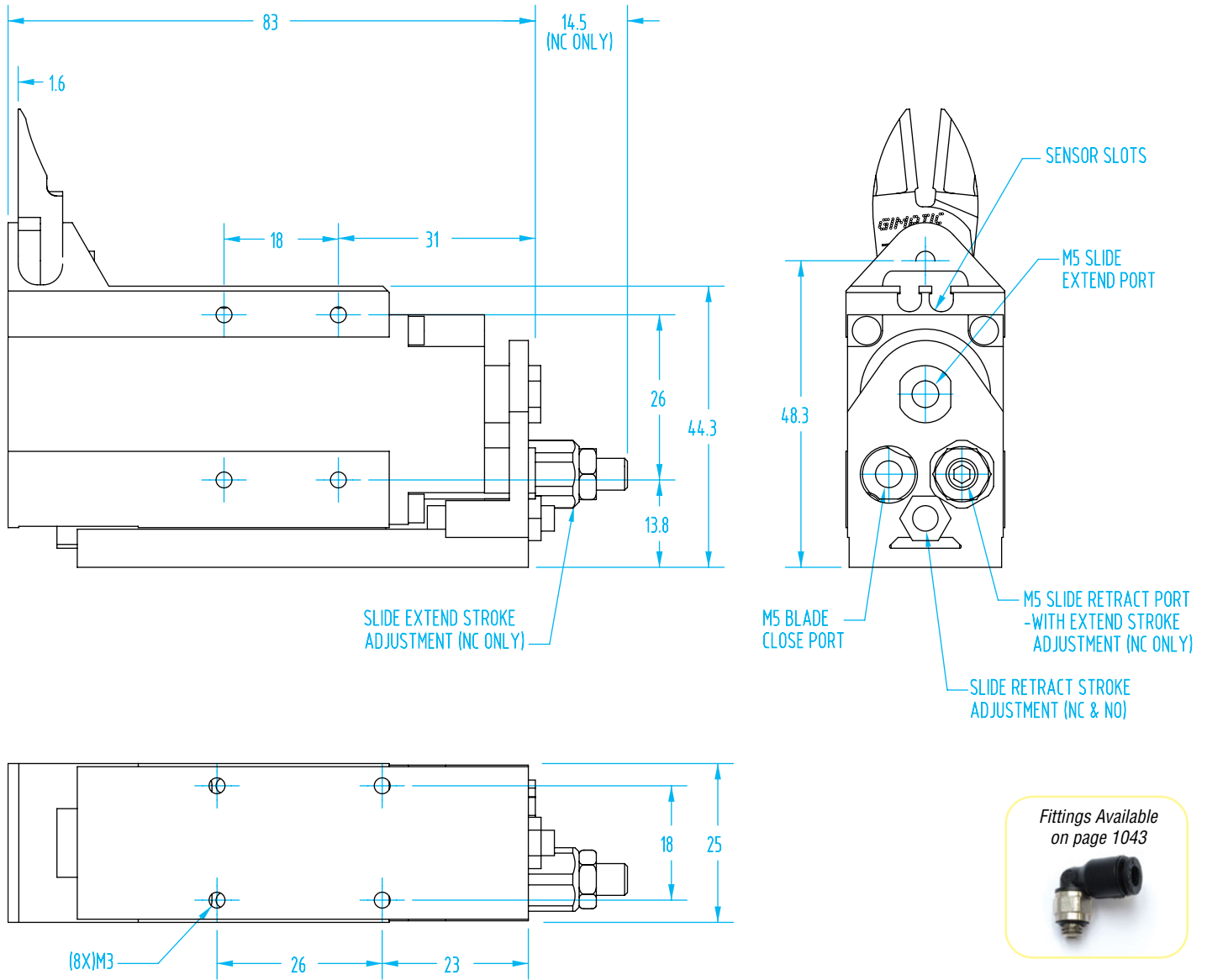
## #6961 / GNS-05 - Stationary Nipper



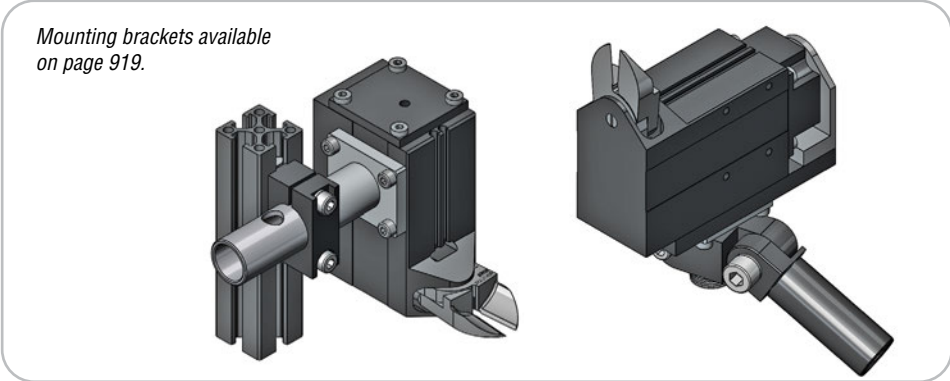
**Gimatic Nipper – Size 5**

(Dimensioned drawings shown full scale)

**#6962 & 6963 / GNS-05-NC & GNS-05-NO - Sliding Nipper**



Note: NC version is equipped with a bracket mounted into port "C" which allows extend stroke adjustment. The extend adjustment bracket make the "C" port unusable. (slide retracts under spring tension only)



# Gimatic Nipper – Size 10

(Dimensioned drawings shown full scale)



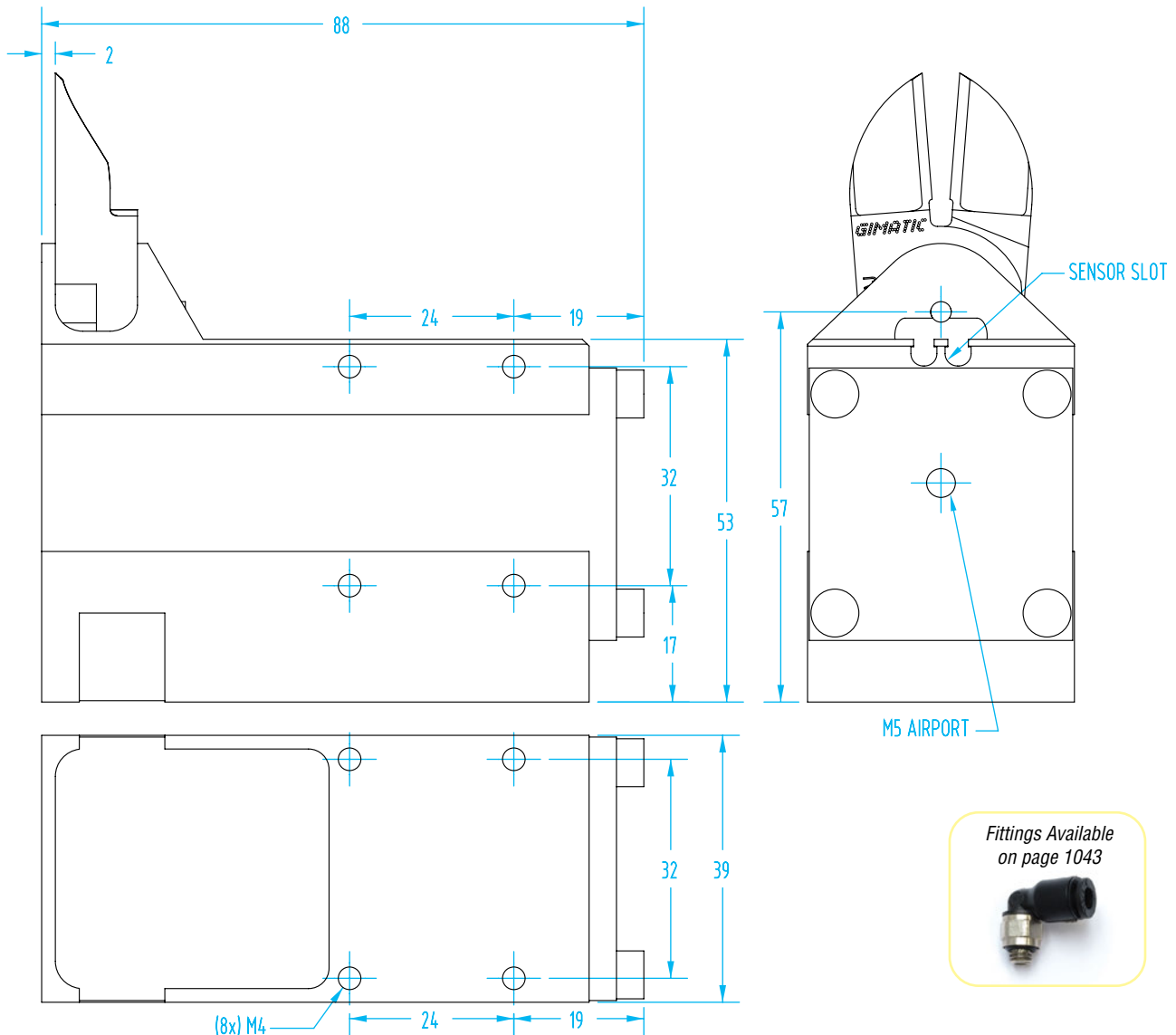
- Uses standard size 10 blades on pages 865–867. (see note on page 915)
- Blades can be reversed in nipper body.
- Normally open and closed sliding models can also be used double acting.
- Sensor ready

**GNS-10** Gimatic Nipper (Blades sold separately)

Type	Quick#	Part#	Price	Weight	Pressure Range	Slide Stroke	Cutting Cap. mm
Stationary	6964	GNS-10	\$287.00	355g	30–116 psi	4mm	Ø4.5mm
Sliding, Normally Closed	6965	GNS-10-NC	\$412.00	570g			
Sliding, Normally Open	6966	GNS-10-NO	\$412.00	570g			

Note: See page 918–919 for optional sensors and mounting brackets

## #6964 / GNS-10 - Stationary Nipper



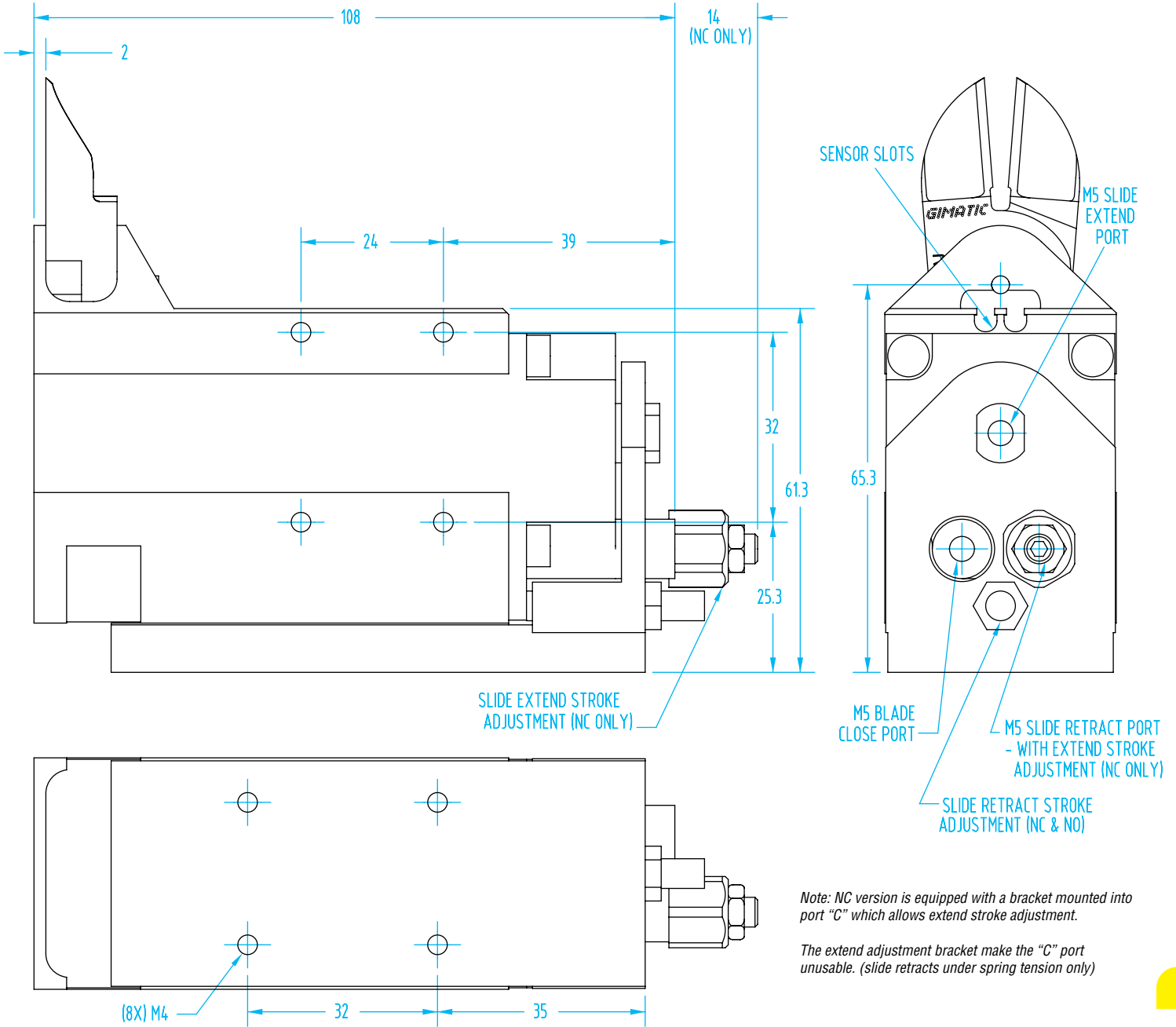
Fittings Available on page 1043



# Gimatic Nipper – Size 10

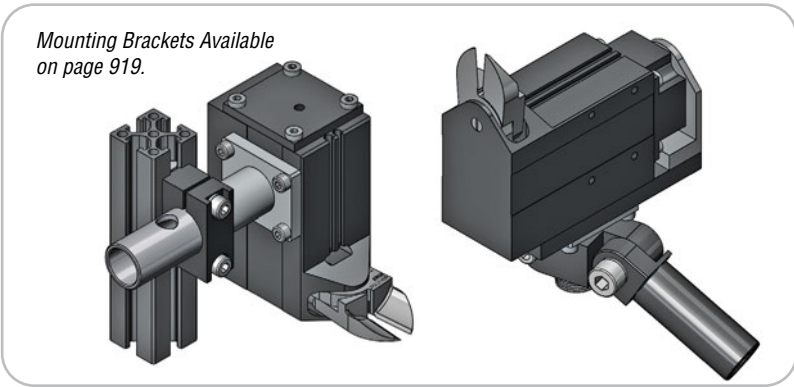
(Dimensioned drawings shown full scale)

## #6965 & 6966 / GNS-10-NC & GNS-10-NO - Sliding Nipper



Note: NC version is equipped with a bracket mounted into port "C" which allows extend stroke adjustment.

The extend adjustment bracket make the "C" port unusable. (slide retracts under spring tension only)



# Gimatic Nipper – Size 20

(Dimensioned drawings shown half scale)



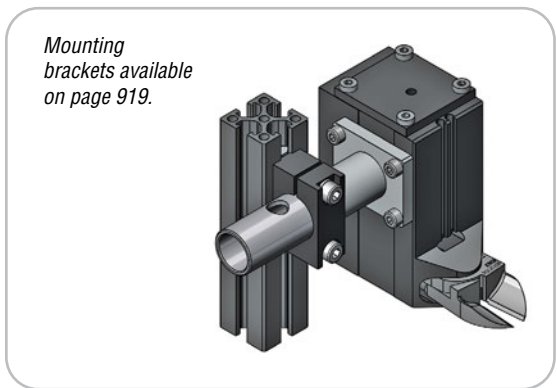
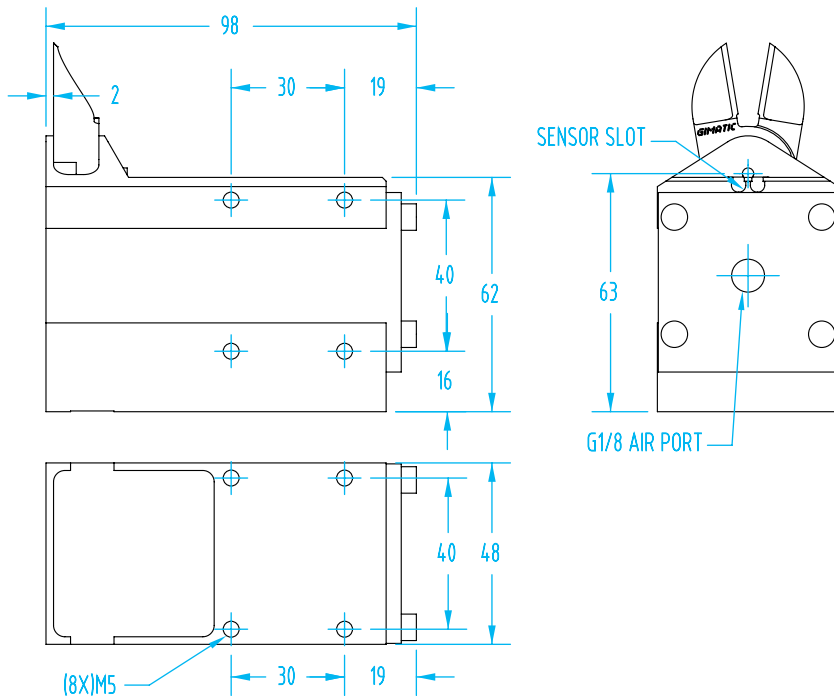
**GNS-20** Gimatic Nipper (Blades sold separately)

Type	Quick#	Part#	Price	Weight	Pressure Range	Slide Stroke	Cutting Cap. mm
Stationary	6967	GNS-20	\$352.00	480g	30–116 psi	5mm	Ø6mm
Sliding, Normally Closed	6968	GNS-20-NC	\$493.00	780g			
Sliding, Normally Open	6969	GNS-20-NO	\$493.00	780g			

Note: See page 918–919 for optional sensors and mounting brackets.

- Uses standard size 20 blades on pages 871–878.
- Blades can be reversed in nipper body
- Normally open and closed sliding models can also be used double acting.
- Sensor ready

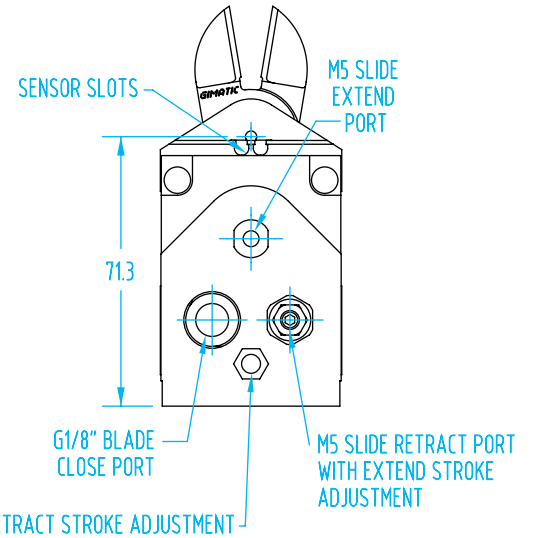
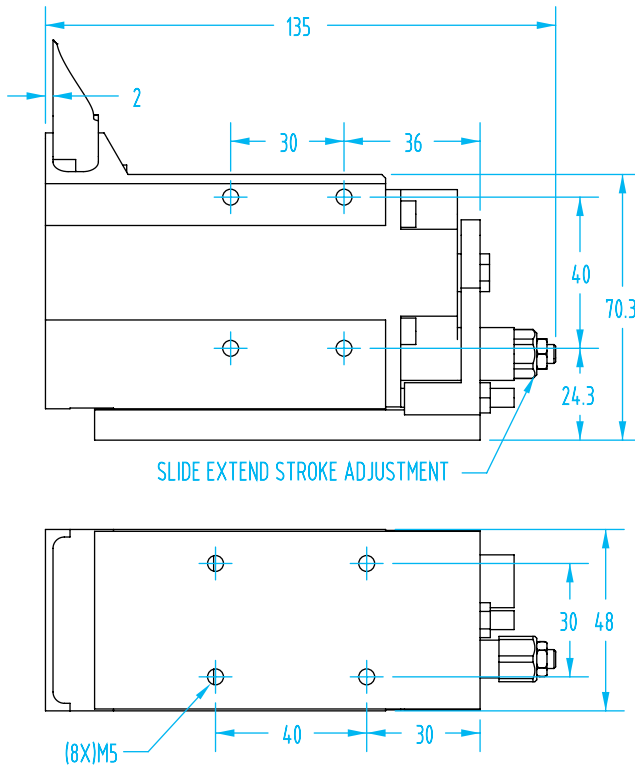
## #6967 / GNS-20 - Stationary Nipper



**Gimatic Nipper – Size 20**

(Dimensioned drawings shown half scale)

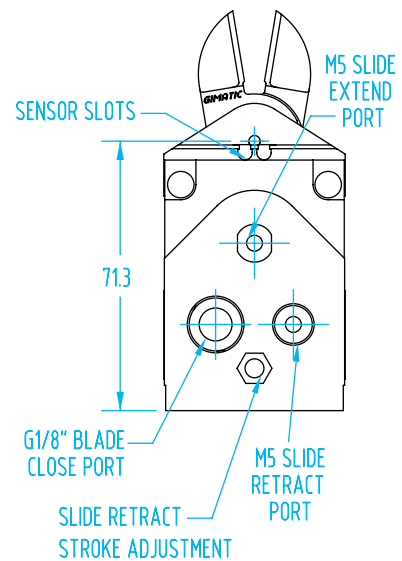
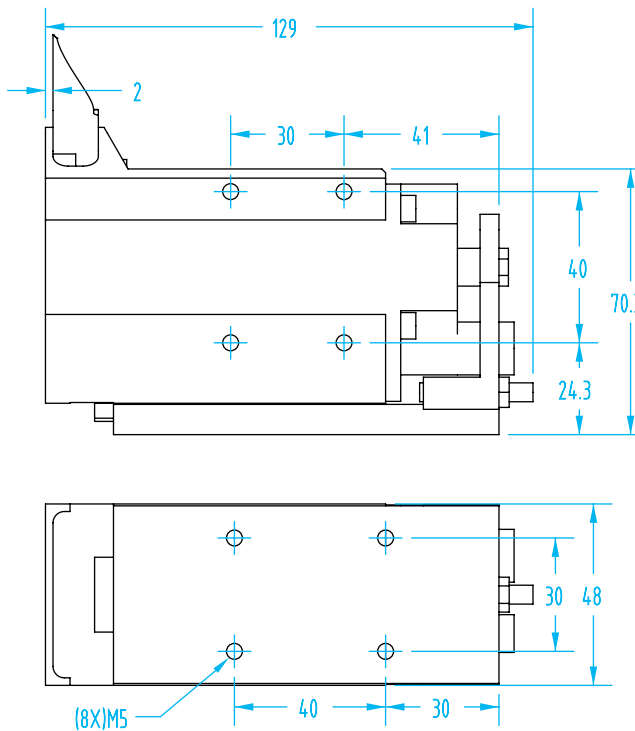
**#6968 / GNS-20-NC - Sliding Nipper**



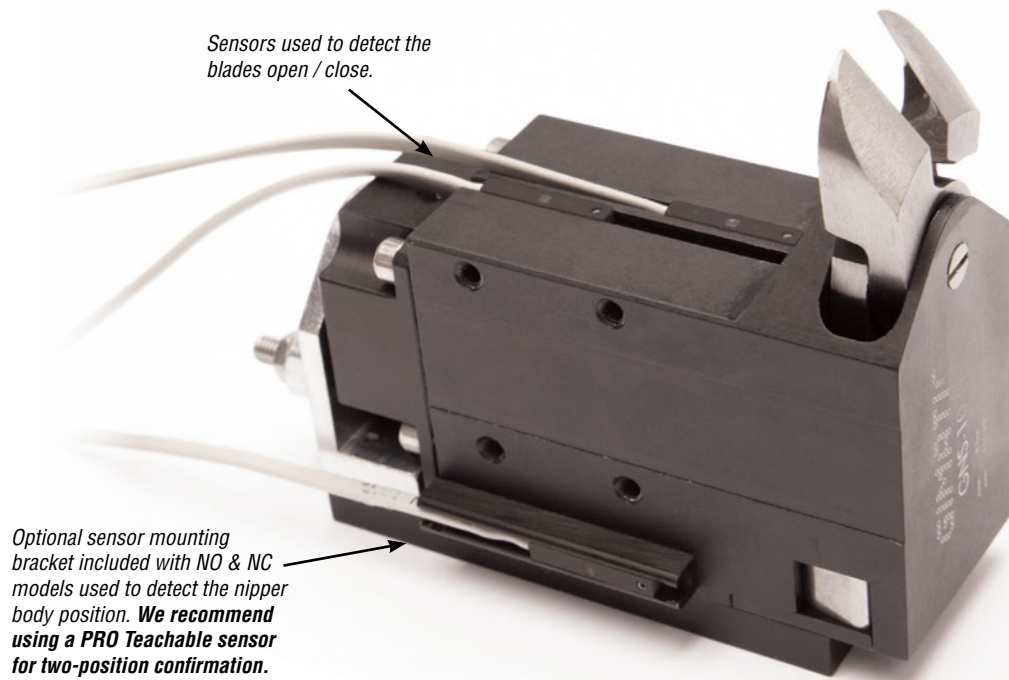
Note: NC version is equipped with a bracket mounted into port "C" which allows extend stroke adjustment.

The extend adjustment bracket make the "C" port unusable. (slide retracts under spring tension only)

**#6969 / GNS-20-NO - Sliding Nipper**

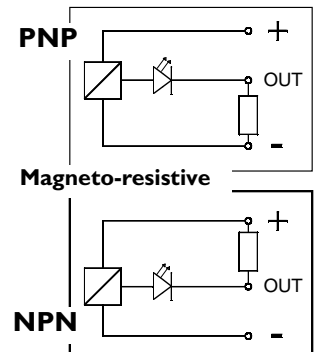


# Sensors for Gimatic Nippers



## Sensors

The operating position of blade and body can be checked by sensors (optional), that detect the magnet on the piston inside. Proximity near a large mass of ferromagnetic material or intense magnetic fields may cause sensing troubles.

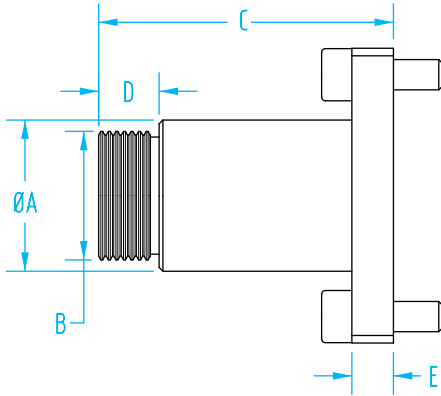


Quick#	Part#	Signal	Connection	Price
<b>3-wire, SS style sensors</b>				
1882	SS4N225G	PNP	2.5m lead	\$27.20
1883	SS4M225G	NPN	2.5m lead	\$27.20
6282	SS3N203G	PNP	0.3m lead & M8 connector*	\$31.16
1884	SS3M203G	NPN	0.3m lead & M8 connector*	\$31.16
<b>90° Lead exit, 3-wire SN style sensors</b>				
6278	SN4N225G	PNP	2.5m lead	\$27.20
6357	SN4M225G	NPN	2.5m lead	\$27.20
6277	SN3N203G	PNP	0.3m lead & M8 connector*	\$31.16
6356	SN3M203G	NPN	0.3m lead & M8 connector*	\$31.16

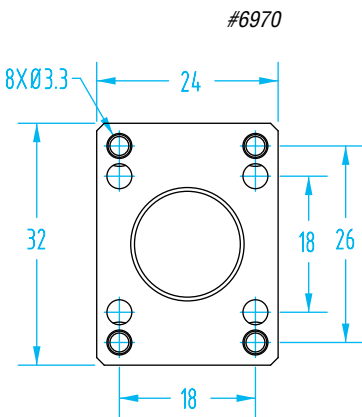
(\* ) M8 Extension cables Quick#'s 2582 & 2583 available on page 987

See Sensor Reference Guide on page 1009 for full list of compatible sensors.

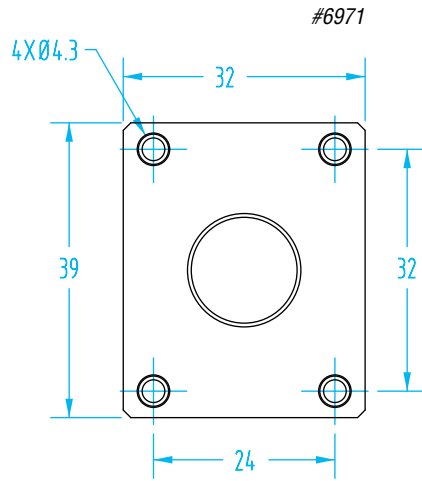
# Mounting Brackets for Gimatic Nippers



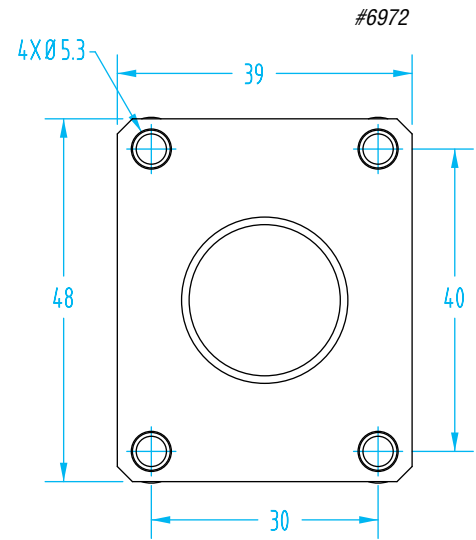
#6971



#6970



#6971

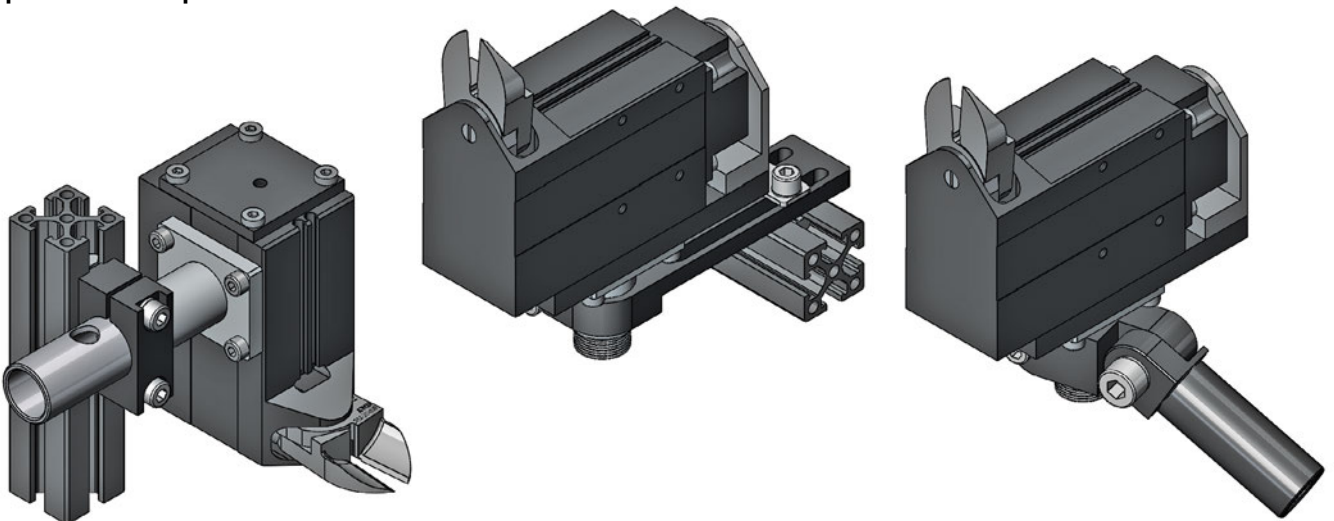


#6972

Quick#	Part#	Price	Nipper Body	ØA	B	C	D	E	Wt.
6970	MFM-A107	\$35.36	size 05	20	M17x1	37	8	4.5	30g
6971	MFM-A108	\$36.40	size 10	20	M17x1	39	8	5.5	35g
6972	MFM-A109	\$37.44	size 20	30	M27x1	55	11	6.5	100g

Made of GRP. Includes fasteners.

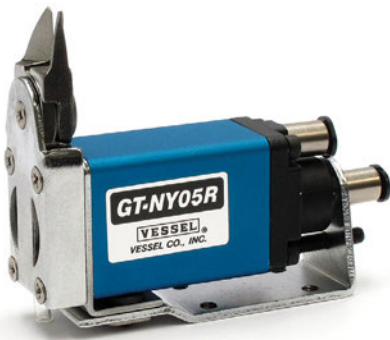
## Application Examples





# NY05 – Sliding Nippers

(Dimensioned drawings shown full scale)

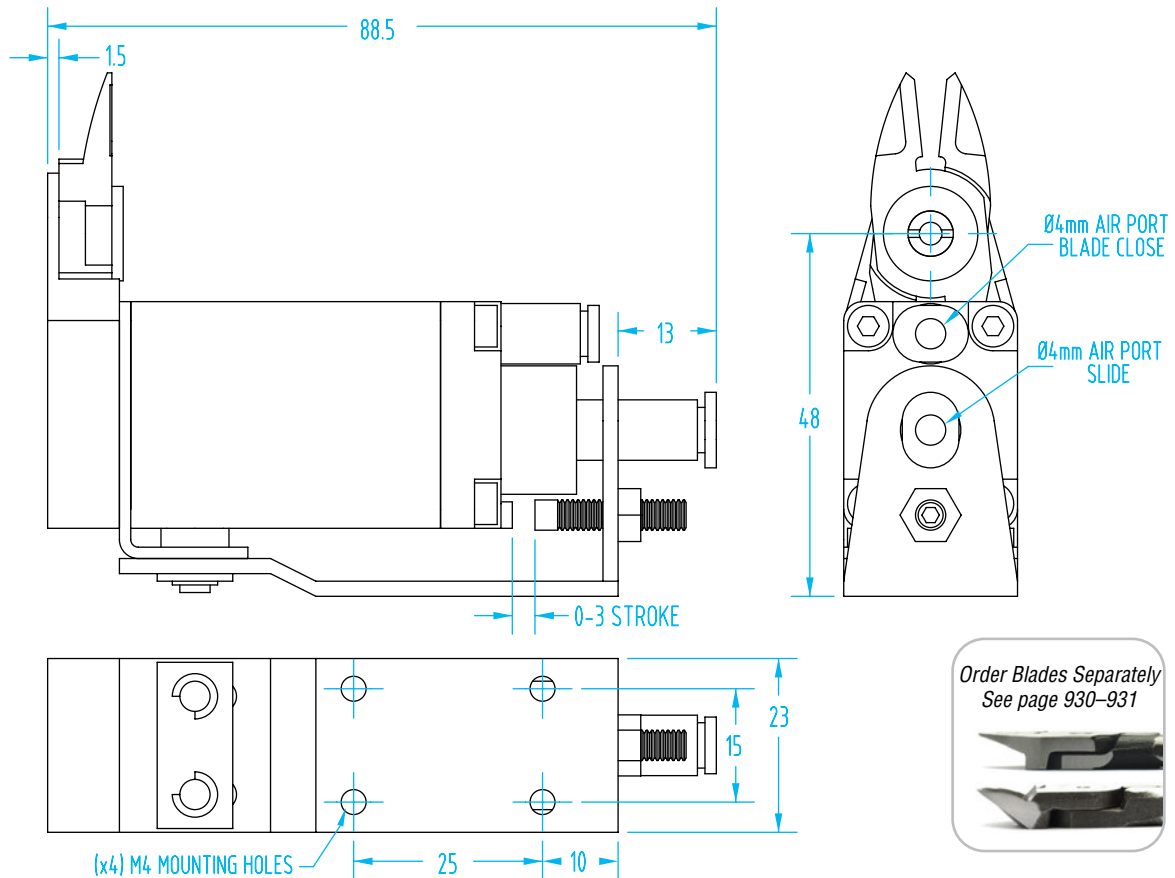


The Vessel® GT-NY series sliding nippers are ideal for mounting on end-of-arm tooling (EOAT) or automated machinery. These nippers provide a low profile and a lightweight design. The GT-NY nippers are available in both a PUSH or PULL style to suit your application needs. The slide stroke can be adjusted from 0mm up to 5mm, depending on the model. A standard feature of GT-NY nippers is one-touch quick connection fittings, which are supplied.

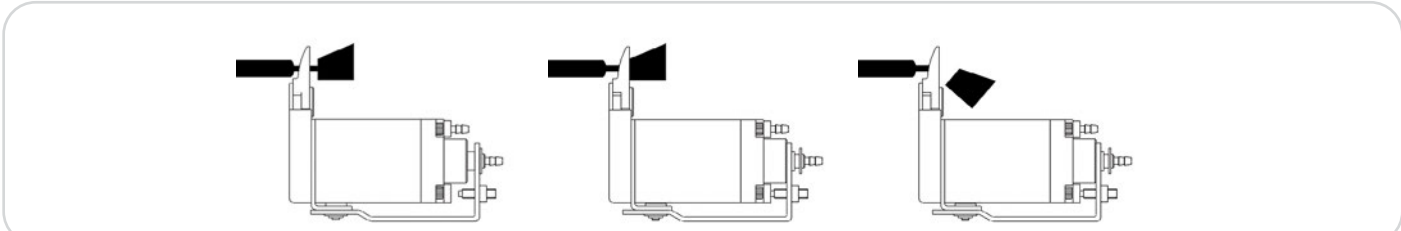
NY05 - Sliding Nipper

Quick#	Part#	Price	Reference Model	Wt.	Air Cons. Cm <sup>3</sup> /stroke	Sup. Air Pres.	Slide Stroke (mm)		Max. Cutting Cap. Ø (mm)	
									Hard Plastic	Soft Plastic
617	GSN-NY05-4	\$342.00	GT-NY05-4	155g	48	58–73psi	Pull	0–3	2.0	3.0
689	GSN-NY05R-4	\$342.00	GT-NY05R-4	155g	48	58–73psi	Push	0–3	2.0	3.0

Note: R=Push



Order Blades Separately  
See page 930–931



# NF05 – Stationary Nippers

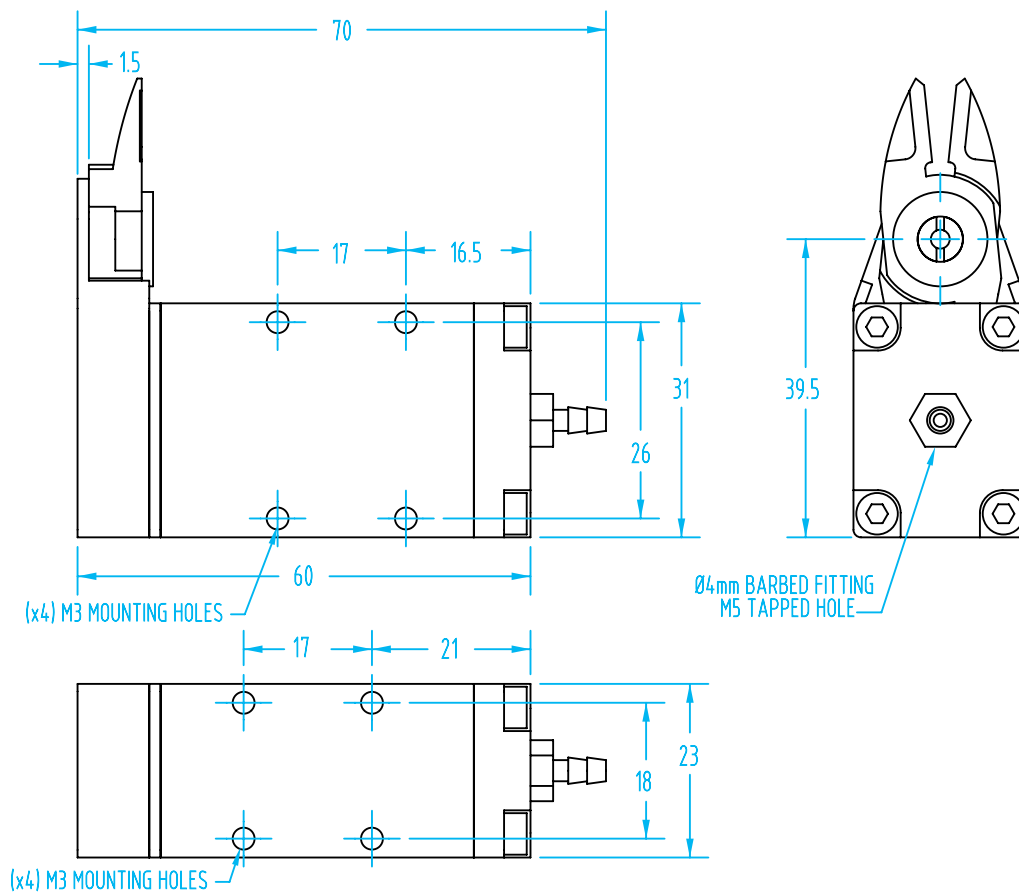
(Dimensioned drawings shown full scale)

The Vessel GT-NF series nippers are very similar to the GT-NY nippers, but do not include the sliding feature. These nippers are lightweight, compact, and have mounting holes on three surfaces. The low profile of these nippers makes the NF series an excellent choice for end-of-arm tooling and robot mounting.



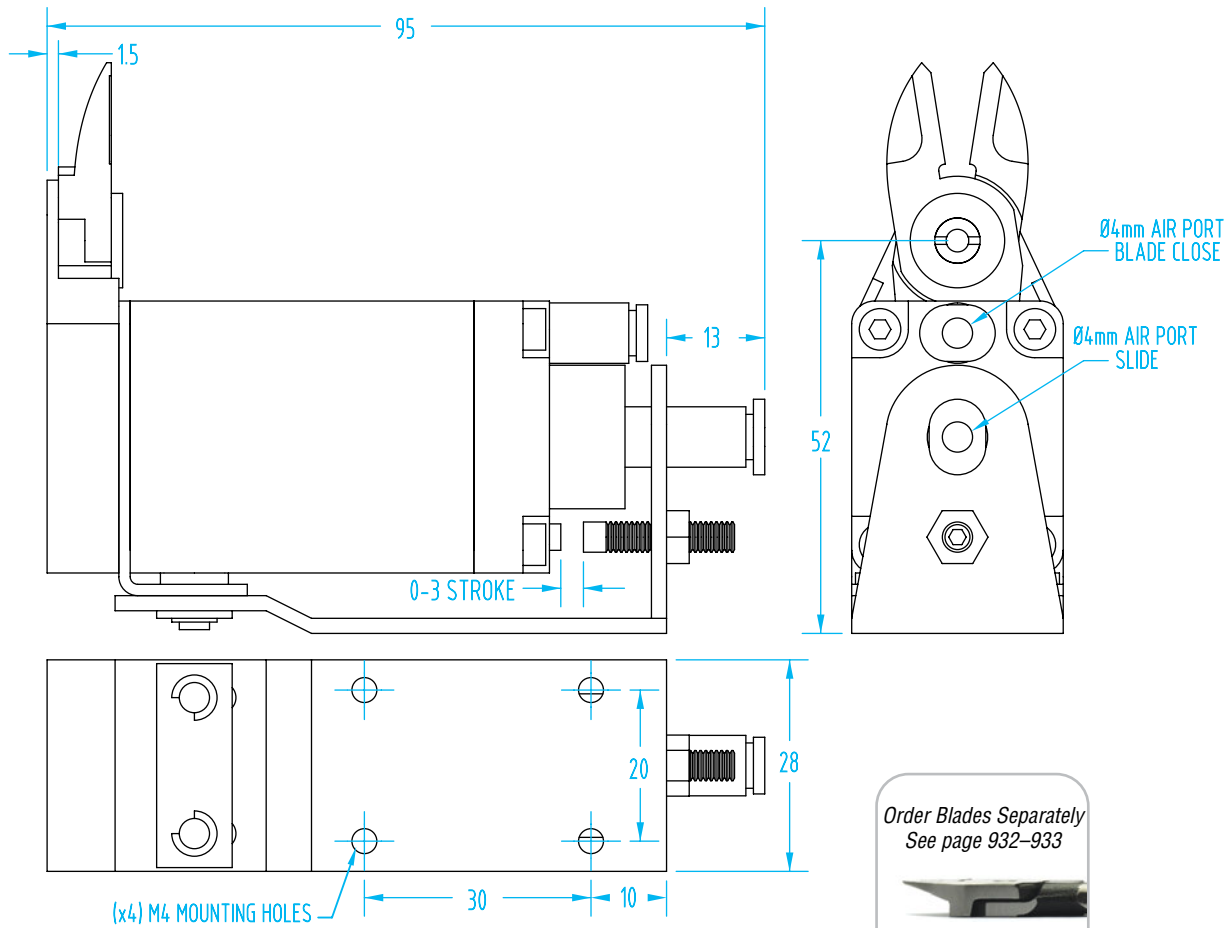
NF05 - Stationary Nipper

Quick#	Part#	Price	Reference Model	Weight	Air Cons. Cm <sup>3</sup> /stke	Supply Press.	Max. Cutting Cap. Ø (mm)	
							Hard Plastic	Soft Plastic
616	GSN-NF05	\$244.00	GT-NF05	101g	43	58–73psi	2.0	3.0



# NY10 – Sliding Nippers

(Dimensioned drawings shown full scale)



Order Blades Separately  
See page 932-933

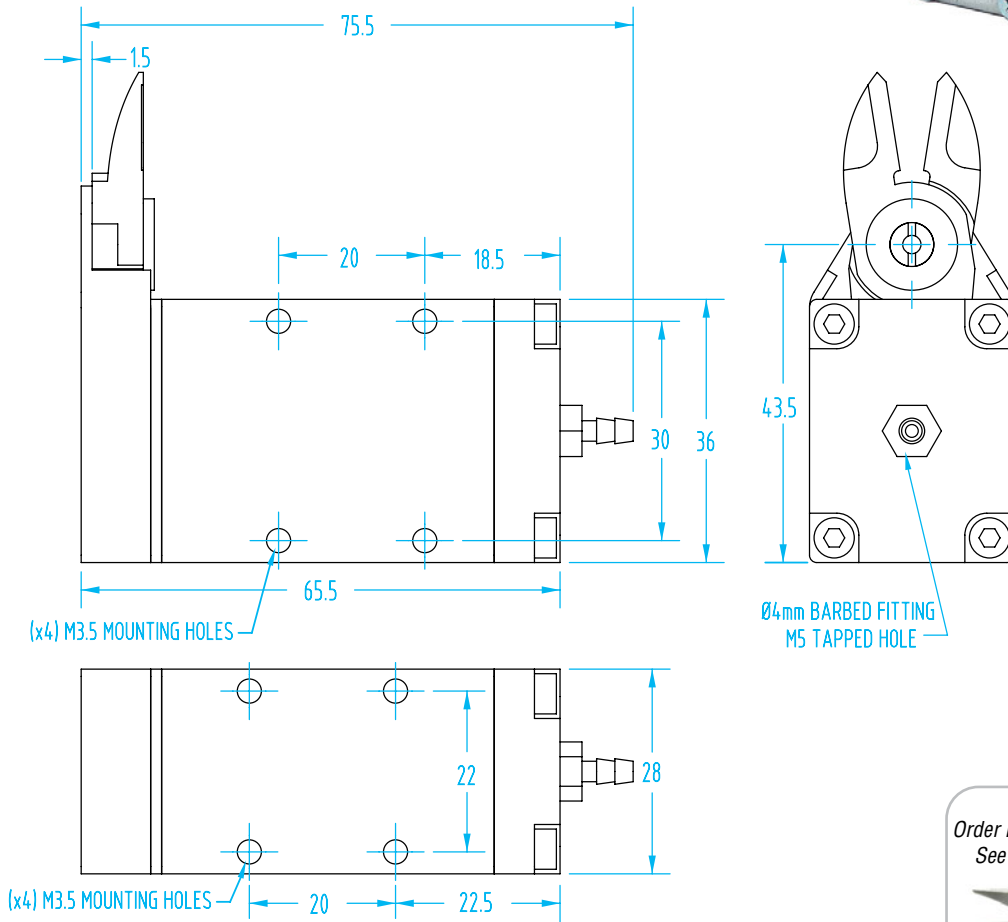
NY10 - Sliding Nipper

Quick#	Part#	Price	Reference Model	Weight	Slide Stroke (mm)		Max. Cutting Cap. Ø (mm)	
							Soft Plastic	Hard Plastic
1862	GSN-NY10-4	\$354.00	GT-NY10-4	210g	Pull	0-3	3.5	2.3
1863	GSN-NY10R-4	\$354.00	GT-NY10R-4	210g	Push	0-3	3.5	2.3

Note: R=Push Fittings are supplied.

**NF10 – Stationary Nippers**

(Dimensioned drawings shown full scale)



Order Blades Separately  
See page 932–933

**NF10 - Stationary Nipper**

Quick#	Part#	Price	Reference Model	Weight	Air Cons. Cm <sup>3</sup> /stke	Supply Press. (psi)	Max. Cutting Cap. Ø (mm)	
							Soft Plastic	Hard Plastic
1861	GSN-NF10	\$257.00	GT-NF10	143g	63	58–73	3.5	2.3

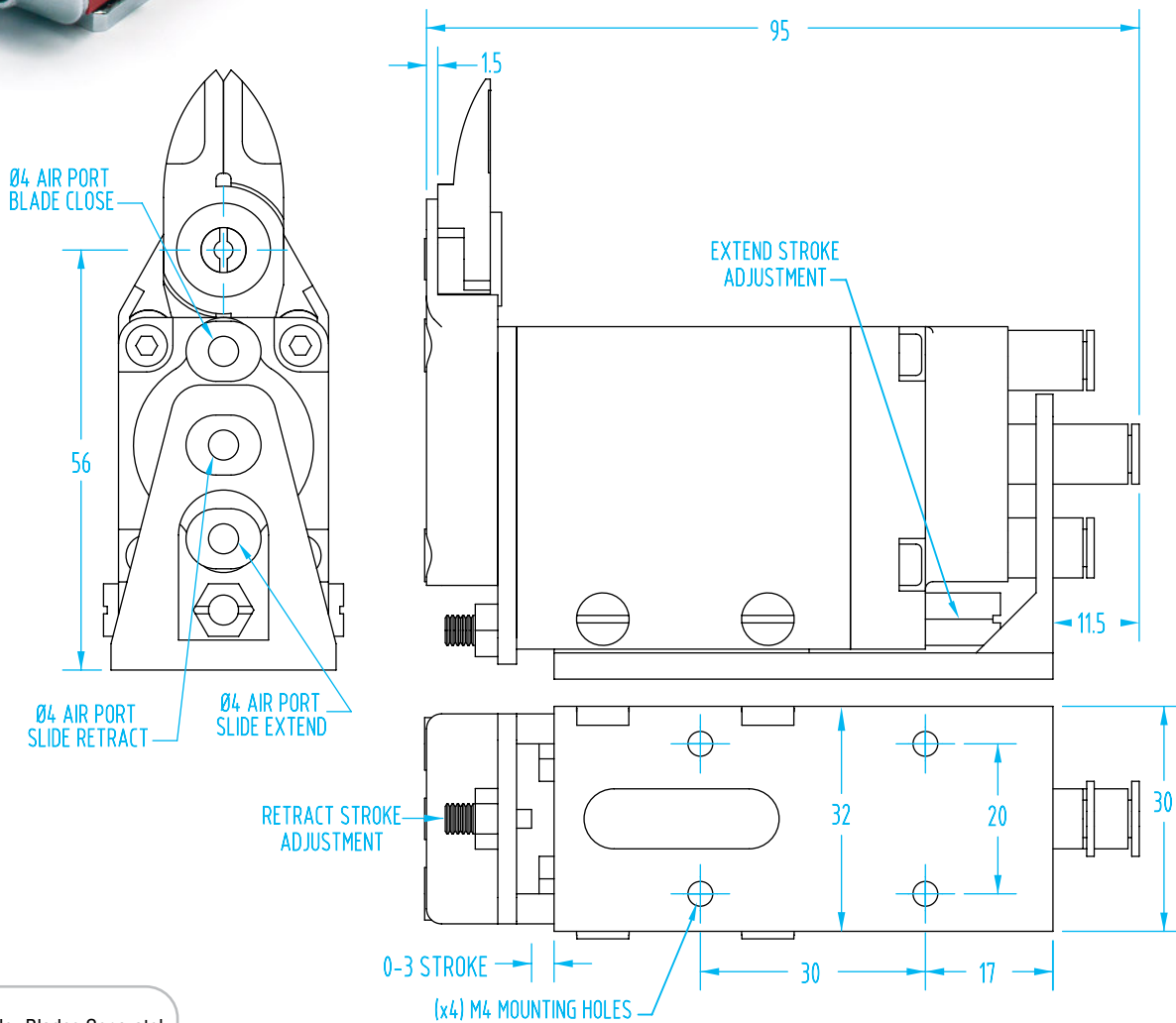
Hard to find M3.5 mounting screws on page 1077.

# NY10S – Double-Acting, High-Precision Sliding Nipper

(Dimensioned drawings shown full scale)



- Precision V-groove slide base.
- Double acting nipper body slide.
- 0–3mm independent extend and retract stroke adjustment.



Order Blades Separately  
See page 932–933



NY10S - Double-Acting, High-Precision Sliding Nipper

Quick#	Part#	Price	Weight without Blade	Stroke	Max. Cutting Cap. Ø (mm)	
					Soft Plastic	Hard Plastic
695	GSN-NY10-S	\$396.00	300g	0–3	3.5mm	2.3mm

All fittings supplied.



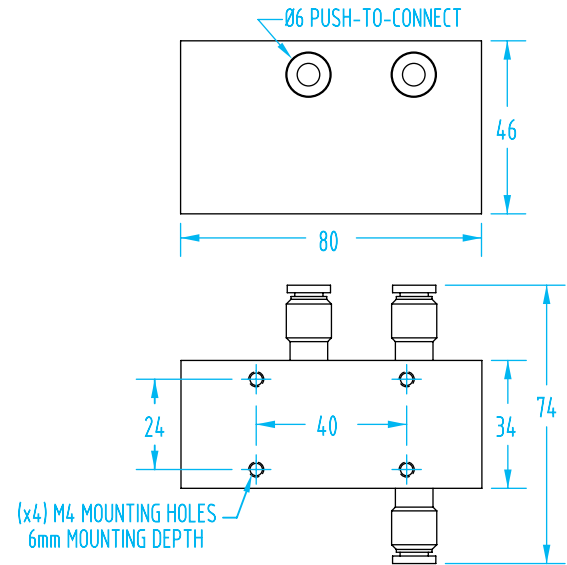
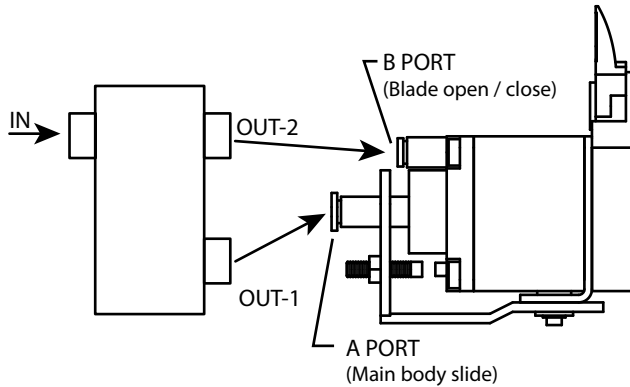
# Timing Controller

The timing controller is a three-port solenoid valve having one compressed-air inlet and two outlets. It allows one compressed-air line to first activate the slide mechanism, then activate the blade after a slight delay (or vice-versa). The timing is adjustable between 0.5–1.5 seconds. No electricity is required. Use with exhaust valve on page 1015.

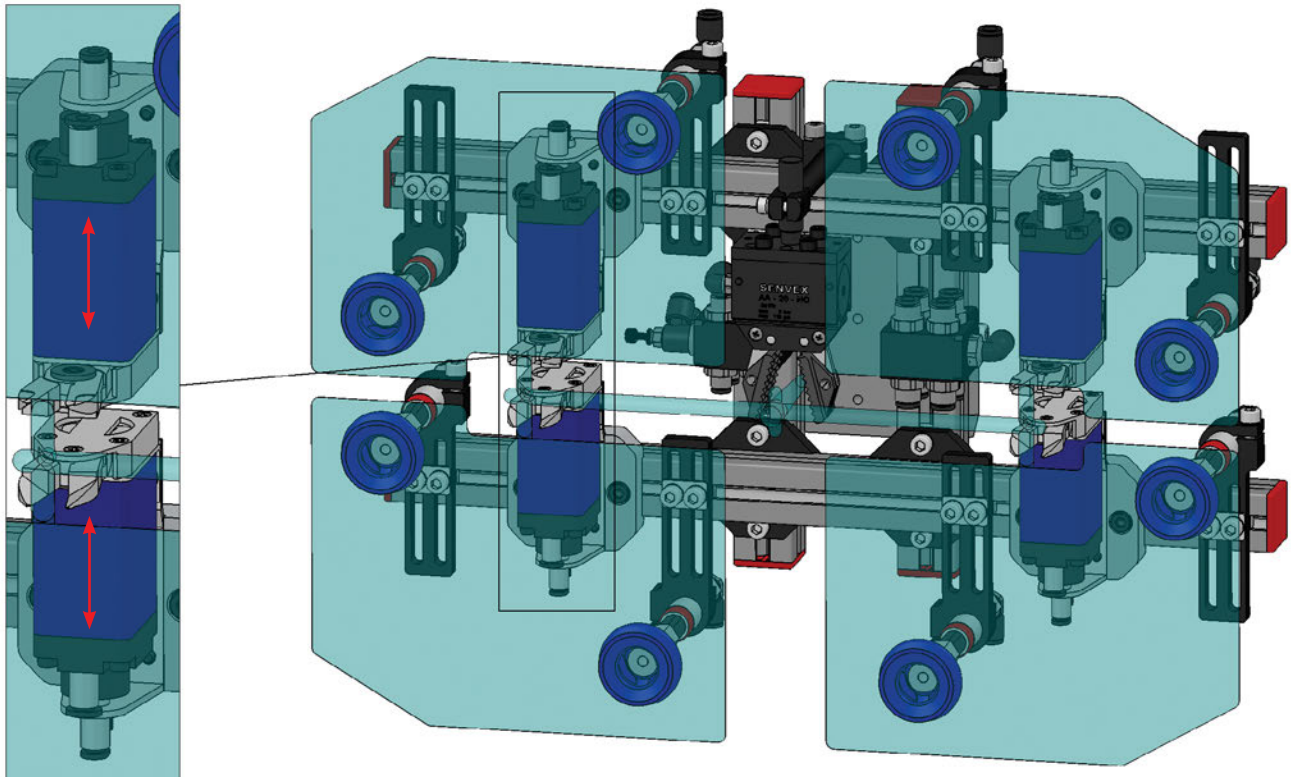


**Timing Controller** (for sliding nippers)

Quick#	Part#	Weight	Price
636	GSN-TC-02	275g	\$309.00

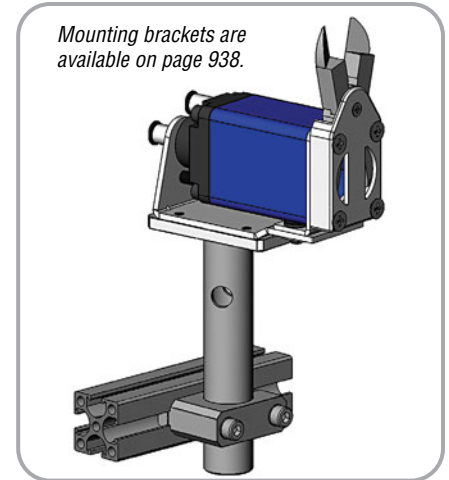


## Application Example



# NY15 – Sliding Nipper

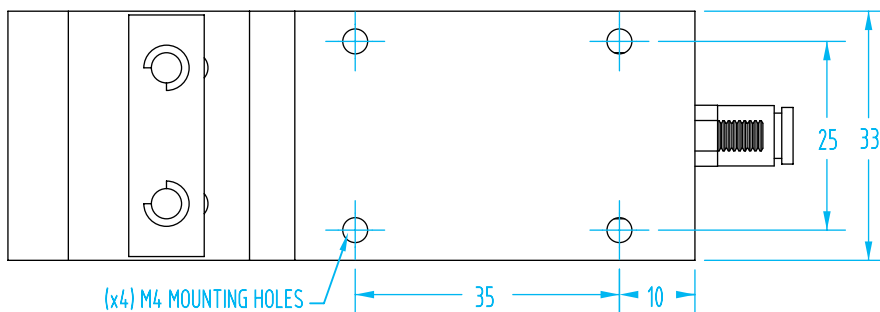
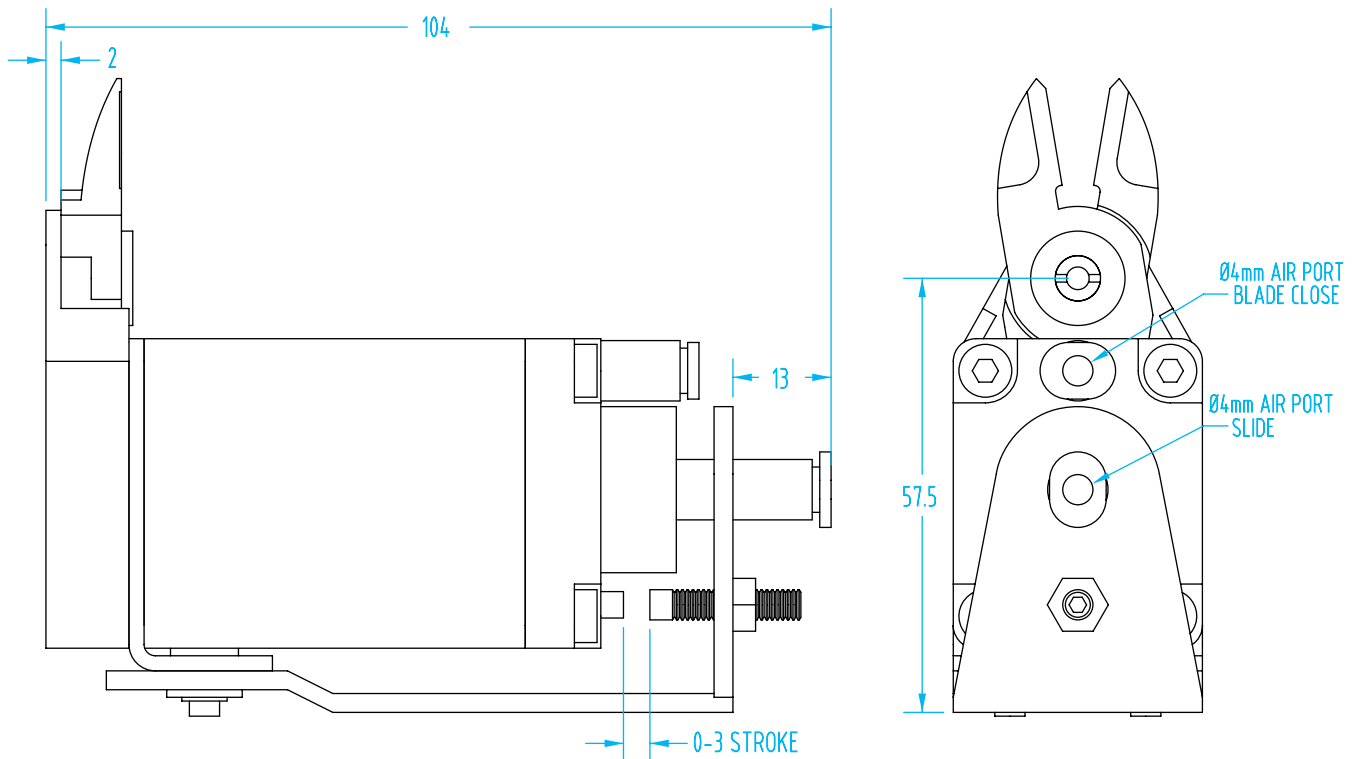
(Dimensioned drawings shown full scale)



NY15 - Sliding Nipper

Quick#	Part#	Price	Reference Model	Weight	Air Cons. Cm <sup>3</sup> /stroke	Sup. Air Pres.	Slide Stroke (mm)	Max. Cutting Cap. Ø (mm)	
								Soft Plastic	Hard Plastic
624	GSN-NY15-4	\$365.00	GT-NY15-4	319g	136	58-73psi	Pull 0-3	4.0	2.6
690	GSN-NY15R-4	\$365.00	GT-NY15R-4	319g	136	58-73psi	Push 0-3	4.0	2.6

Note: R=Push All fittings supplied.



Order Blades Separately  
See page 934-935.

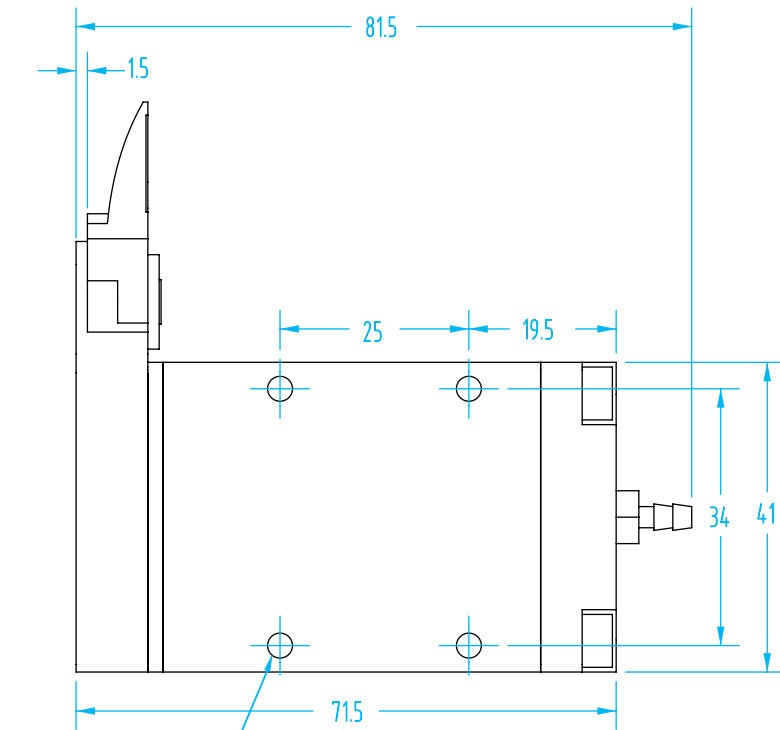
**NF15 – Stationary Nipper**

(Dimensioned drawings shown full scale)

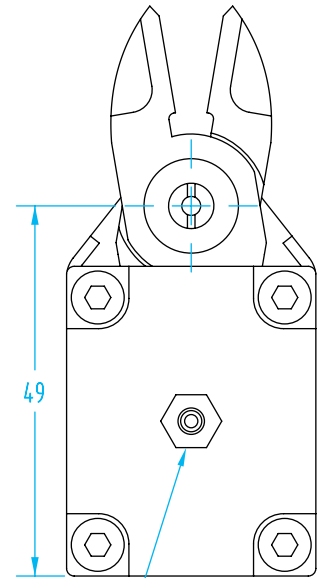


**NF15 - Stationary Nipper**

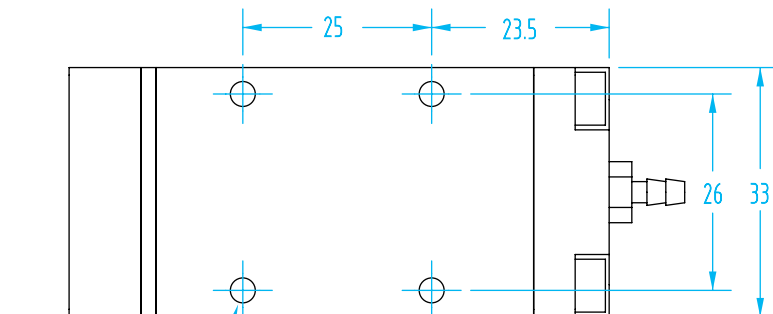
Quick#	Part#	Price	Reference Model	Weight	Air Cons. Cm <sup>3</sup> /stke	Supply Press.	Max. Cutting Cap. Ø (mm)	
							Soft Plastic	Hard Plastic
623	GSN-NF15	\$269.00	GT-NF15	219g	128	58-73psi	4.0	2.6



(x4) M4 MOUNTING HOLES



Ø4mm BARBED FITTING  
M5 TAPPED HOLE



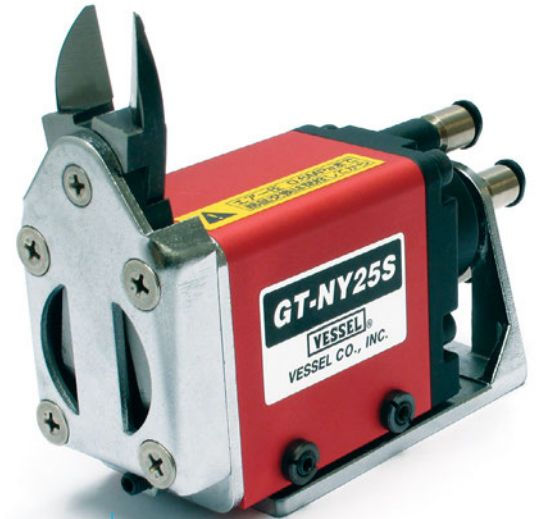
(x4) M4 MOUNTING HOLES

Order Blades Separately  
See page 934-935.

# NY25S – Double-Acting, High-Precision Sliding Nipper

The NYS-style nipper incorporates linear, opposing v-guides in the base to improve accuracy and reduce wear. Consistency is also improved because its sliding action is positive in both directions. No springs are used in its sliding mechanism. The stroke is adjustable up to 5mm. This unit uses NY25 blades as illustrated on page 936–937.

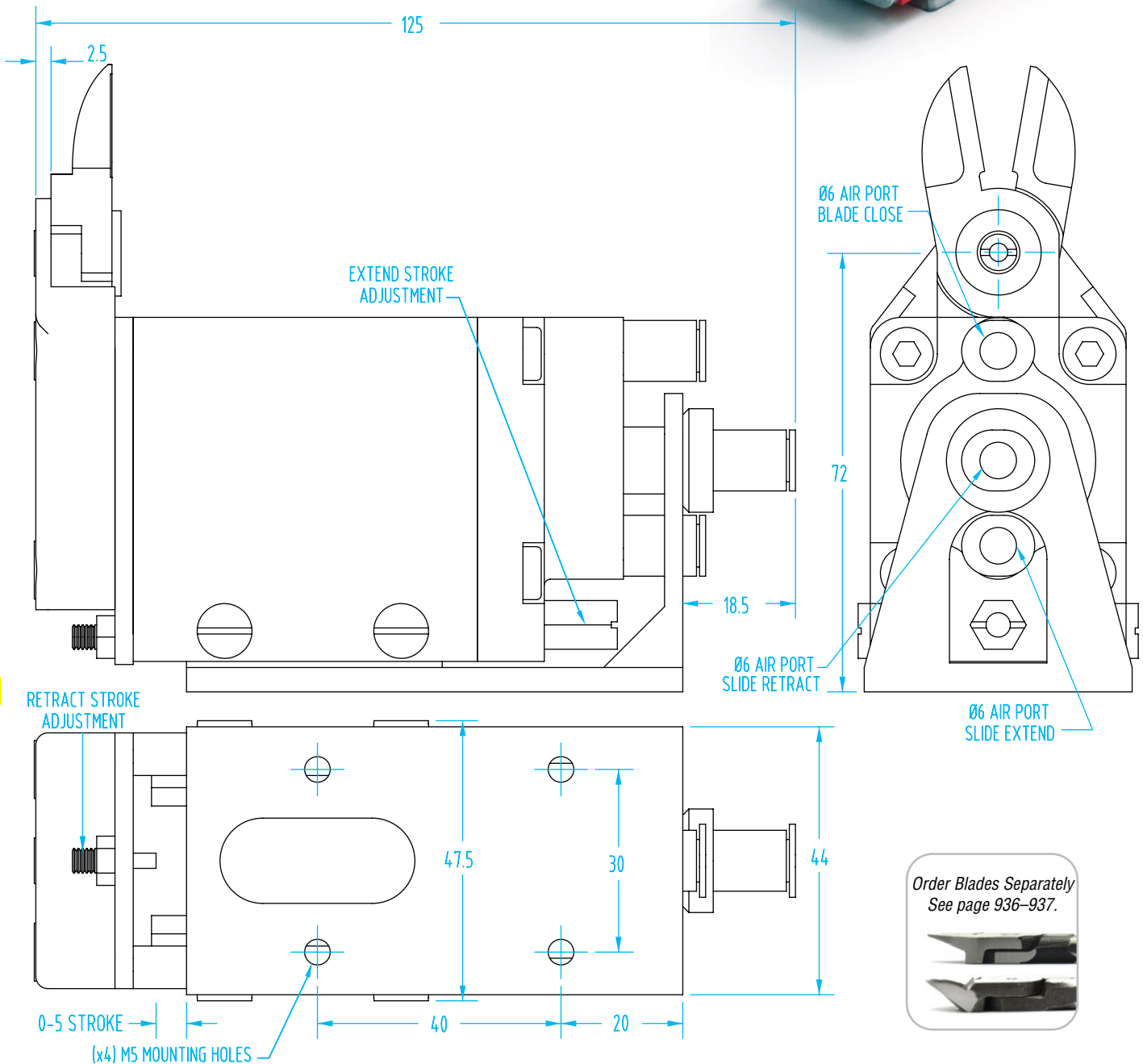
(Dimensioned drawings shown full scale)



### NY25S - Double-Acting, High-Precision Sliding Nipper

Quick#	Part#	Price	Weight without Blade	Stroke	Max. Cutting Cap. Ø (mm)	
					Soft Plastic	Hard Plastic
5259	GSN-NY25-S	\$493.00	300g	0–5	5mm	3.4mm

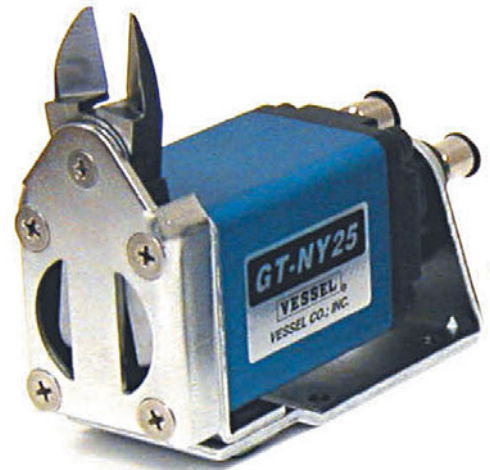
All fittings supplied.



Order Blades Separately  
See page 936–937.

**NY25 – Sliding Nippers**

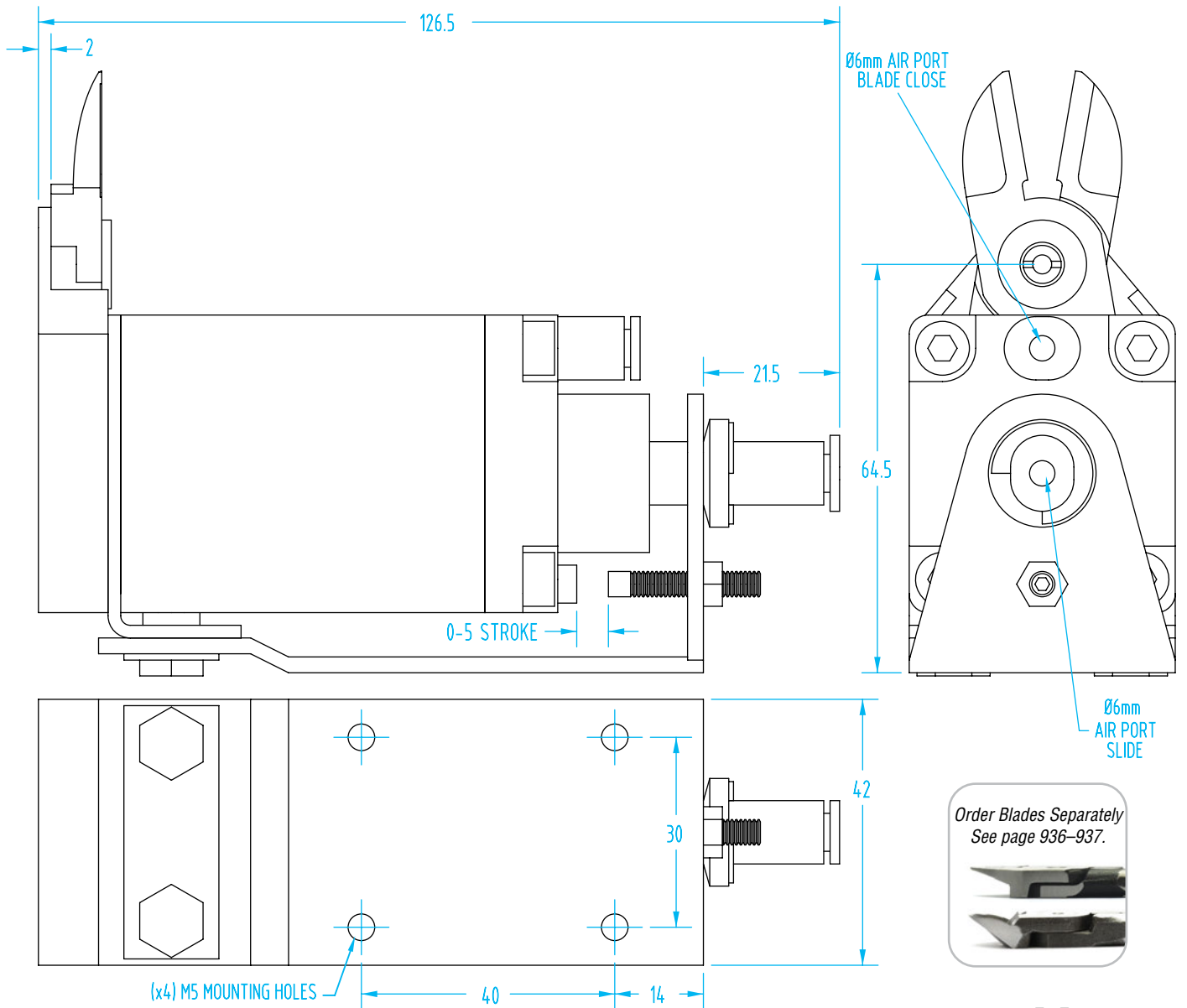
(Dimensioned drawings shown full scale)



**NY25 - Sliding Nipper**

Quick#	Part#	Price	Reference Model	Weight	Air Cons. Cm <sup>3</sup> /stroke	Sup. Air Pressure	Slide Stroke (mm)	Max. Cutting Cap. Ø (mm)	
								Soft Plastic	Hard Plastic
630	GSN-NY25-6	\$403.00	GT-NY25-6	580g	184	73–87psi	Pull	0–5	5.0      3.4
691	GSN-NY25R-6	\$403.00	GT-NY25R-6	580g	184	73–87psi	Push	0–5	5.0      3.4

All fittings supplied.

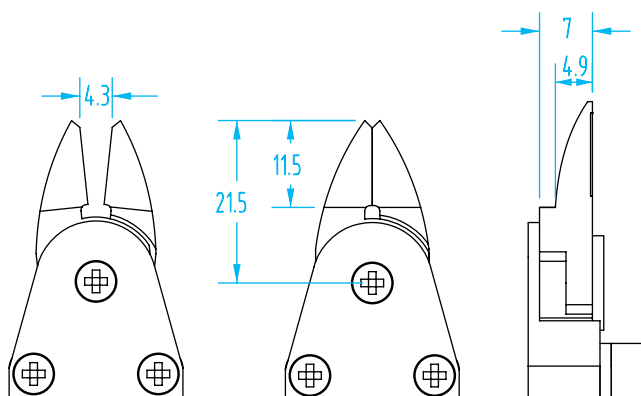


Order Blades Separately  
See page 936–937.

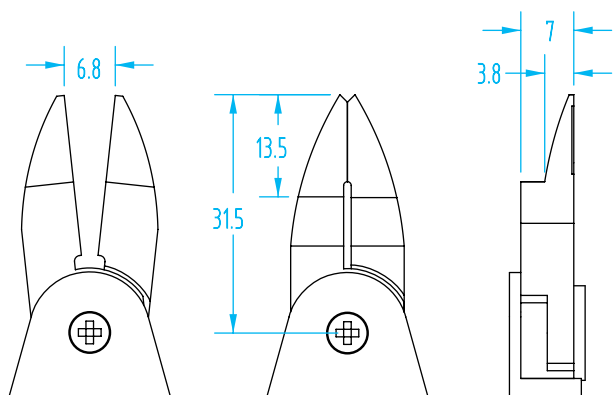


## NY & NF Nipper Blades – Size 5

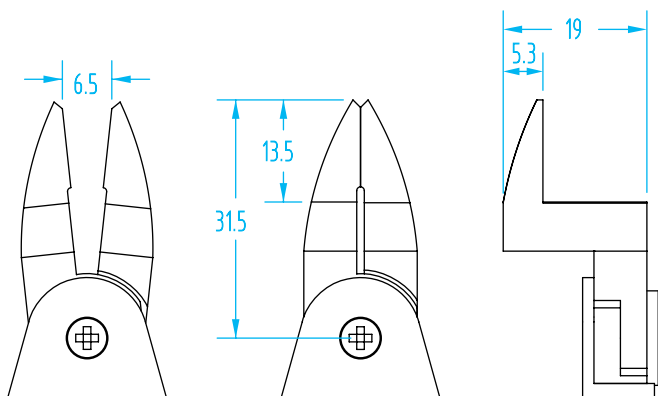
(Dimensioned drawings shown full scale)



Quick#	Part#	Nipper Body	Blade Style	Price
618	GSN-NY05-AJ	NY, NF 05	Standard	\$125.00



Quick#	Part#	Nipper Body	Blade Style	Price
619	GSN-NY05-AJL	NY, NF 05	Extra Long, Inline	\$174.00

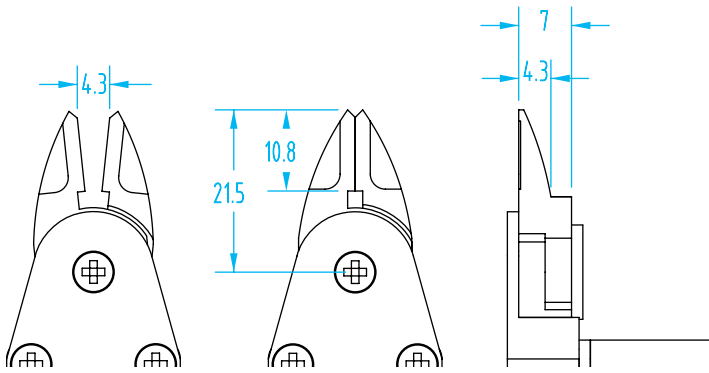


Quick#	Part#	Nipper Body	Blade Style	Price
620	GSN-NY05-AH	NY, NF 05	Offset	\$307.00

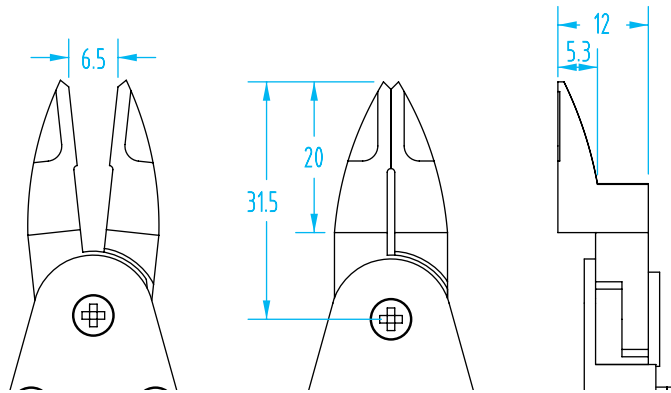


**NY & NF Nipper Blades – Size 5**

(Dimensioned drawings shown full scale)



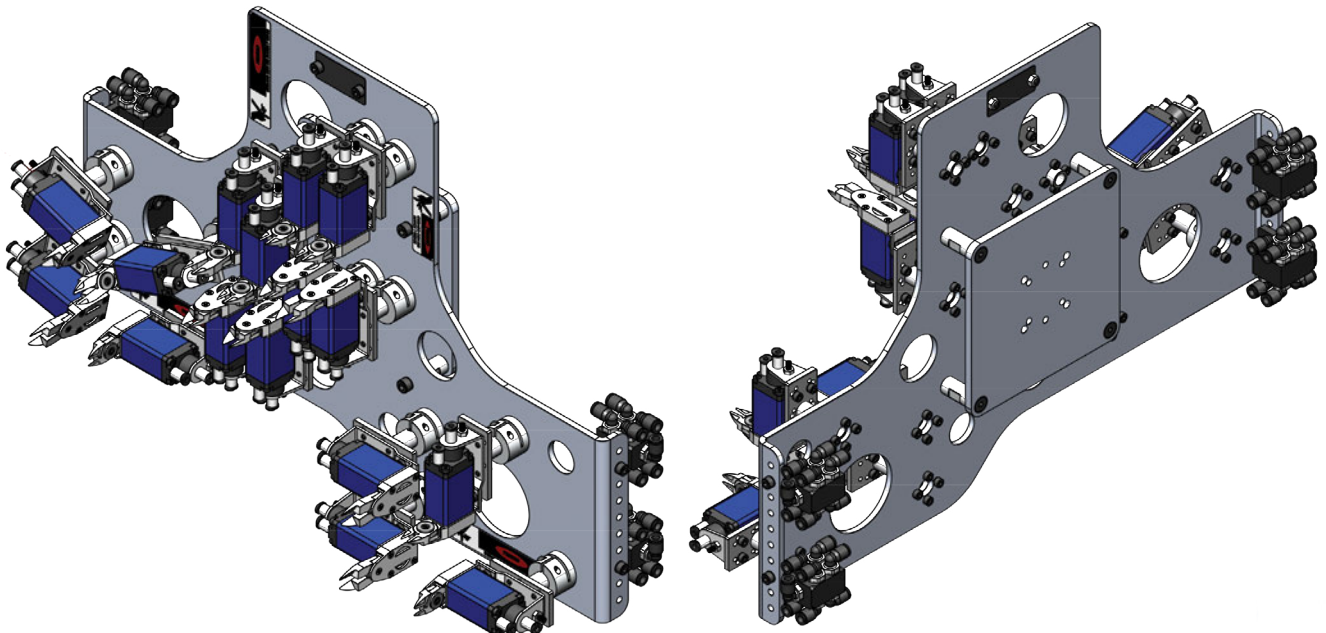
Quick#	Part#	Nipper Body	Blade Style	Price
621	GSN-NY05-RAJ	NY, NF 05	Standard Reversed	\$133.00



Quick#	Part#	Nipper Body	Blade Style	Price
622	GSN-NY05-RAH	NY, NF 05	Offset Reversed	\$308.00

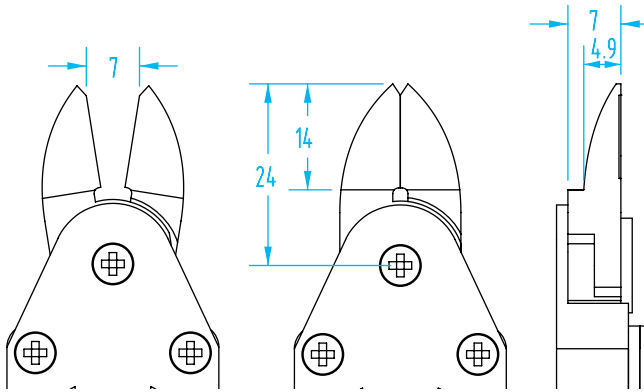


**Application Example**



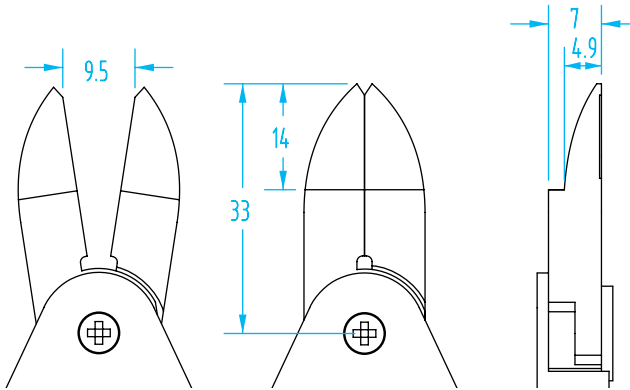
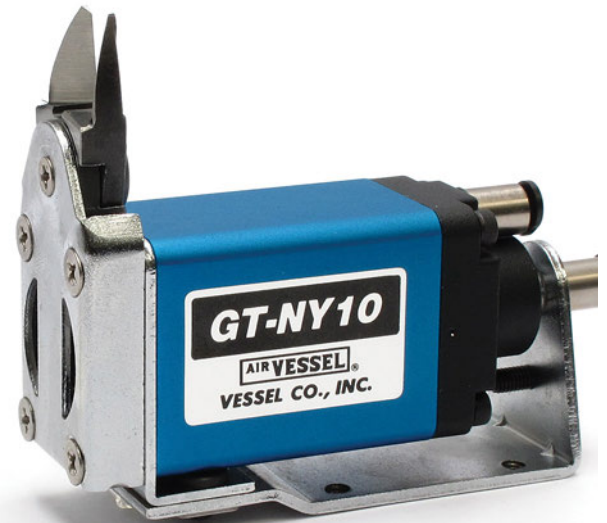
## NY & NF Nipper Blades – Size 10

(Dimensioned drawings shown full scale)



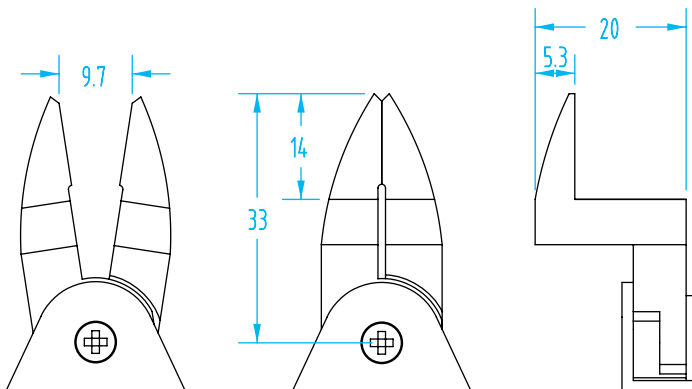
Blades for NY & NF Nippers

Quick#	Part#	Nipper Body	Blade Style	Price
1864	GSN-NY10-AJ	NY, NYS, NF 10	Standard	\$129.00



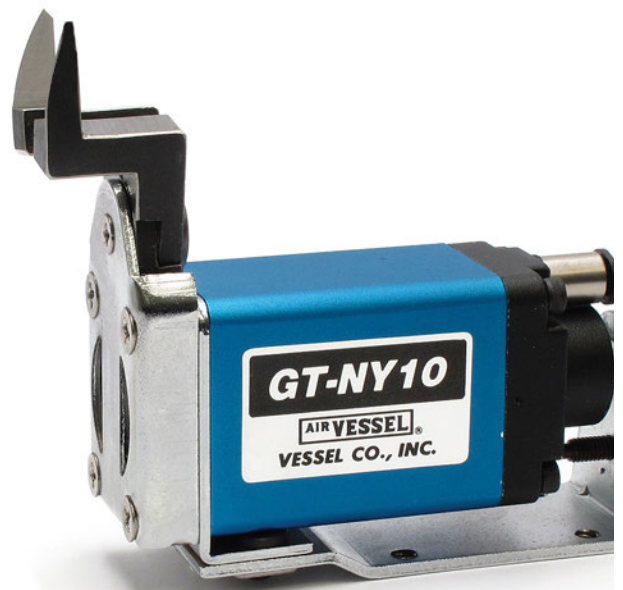
Blades for NY & NF Nippers

Quick#	Part#	Nipper Body	Blade Style	Price
1865	GSN-NY10-AJL	NY, NYS, NF 10	Extra Long, Inline	\$182.00



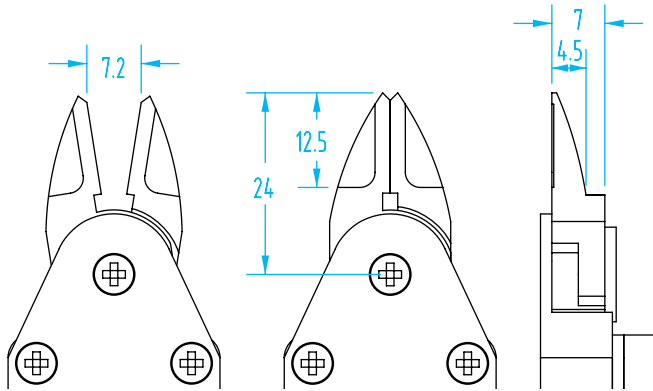
Blades for NY & NF Nippers

Quick#	Part#	Nipper Body	Blade Style	Price
1866	GSN-NY10-AH	NY, NYS, NF 10	Offset	\$314.00



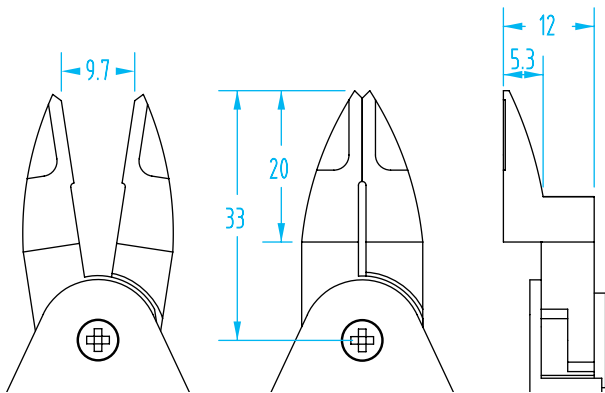
**NY & NF Nipper Blades – Size 10**

(Dimensioned drawings shown full scale)



Blades for NY & NF Nippers

Quick#	Part#	Nipper Body	Blade Style	Price
1867	GSN-NY10-RAJ	NY, NYS, NF 10	Standard Reversed	\$137.00



Blades for NY & NF Nippers

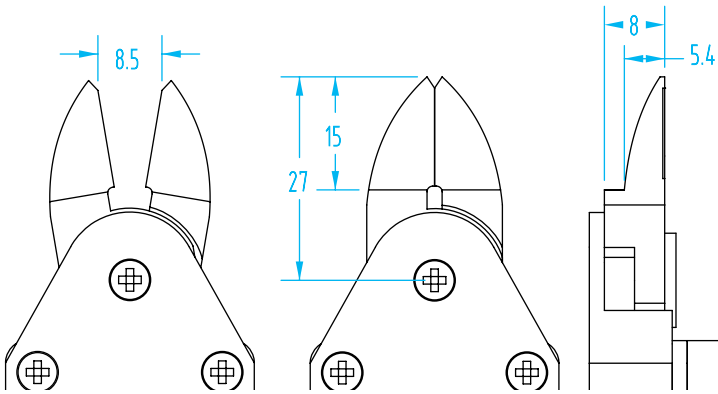
Quick#	Part#	Nipper Body	Blade Style	Price
1868	GSN-NY10-RAH	NY, NYS, NF 10	Offset Reversed	\$315.00





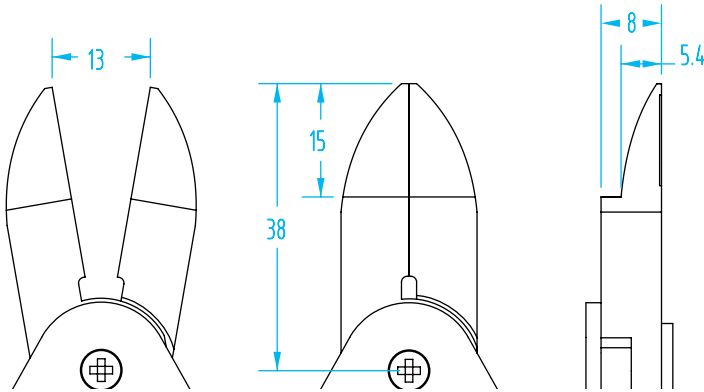
## NY & NF Nipper Blades – Size 15

(Dimensioned drawings shown full scale)



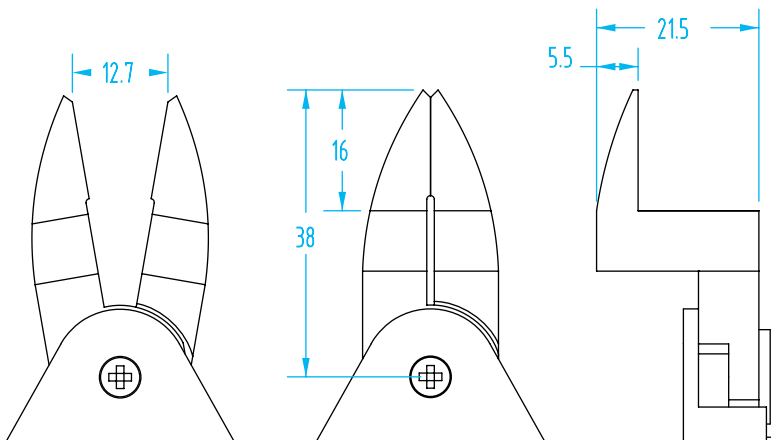
Blades for NY & NF Nippers

Quick#	Part#	Nipper Body	Blade Style	Price
625	GSN-NY15-AJ	NY, NF 15	Standard	\$132.00



Blades for NY & NF Nippers

Quick#	Part#	Nipper Body	Blade Style	Price
626	GSN-NY15-AJL	NY, NF 15	Extra Long, Inline	\$193.00



Blades for NY & NF Nippers

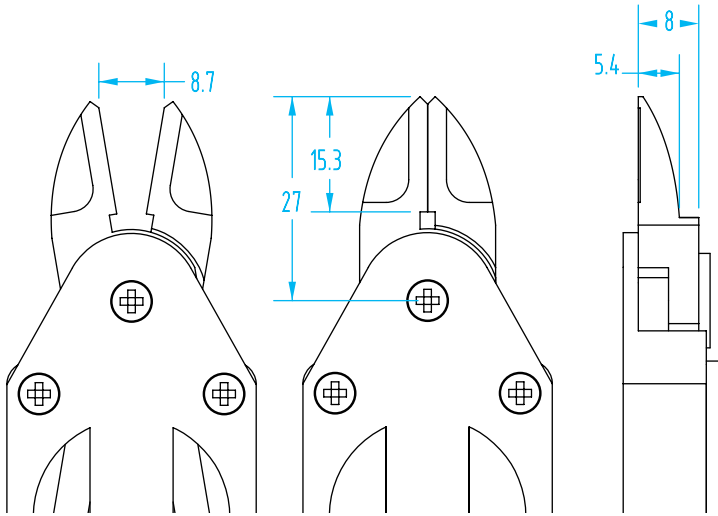
Quick#	Part#	Nipper Body	Blade Style	Price
627	GSN-NY15-AH	NY, NF 15	Offset	\$318.00





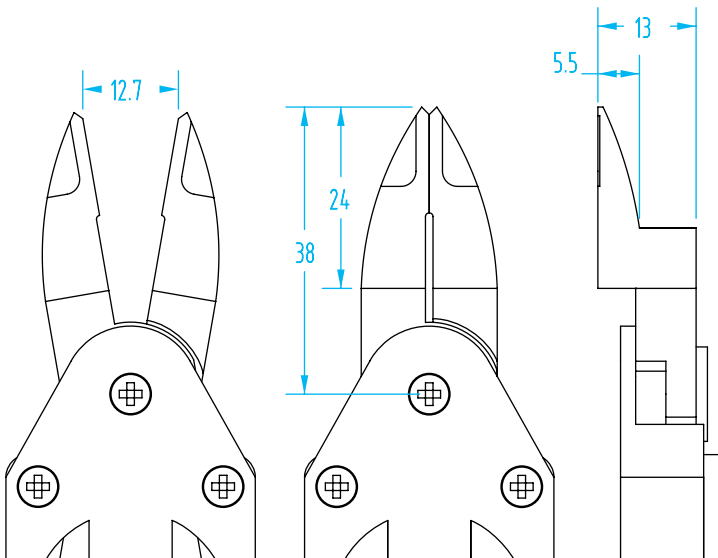
**NY & NF Nipper Blades – Size 15**

(Dimensioned drawings shown full scale)



Blades for NY & NF Nippers

Quick#	Part#	Nipper Body	Blade Style	Price
628	GSN-NY15-RAJ	NY, NF 15	Standard Reversed	\$140.00



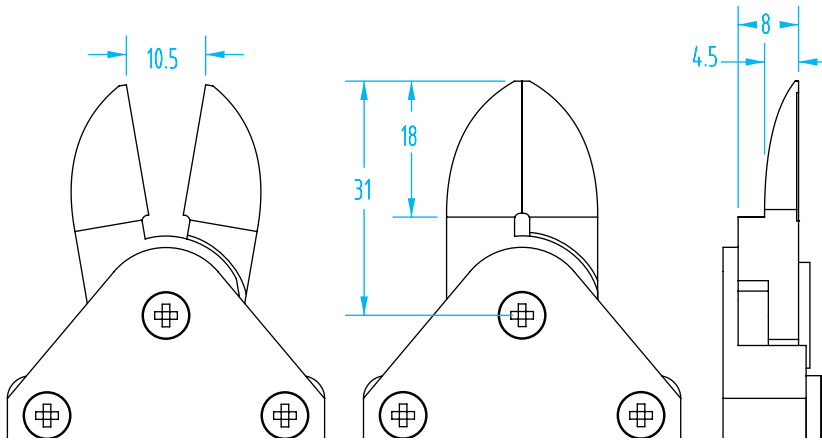
Blades for NY & NF Nippers

Quick#	Part#	Nipper Body	Blade Style	Price
629	GSN-NY15-RAH	NY, NF 15	Offset Reversed	\$320.00



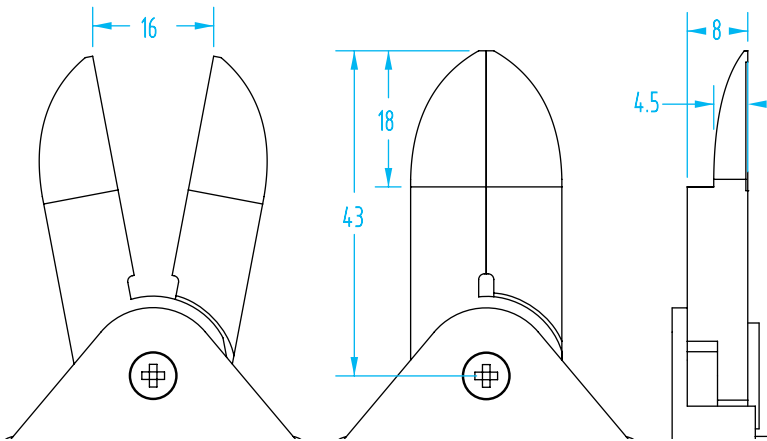
## NY & NF Nipper Blades – Size 25

(Dimensioned drawings shown full scale)



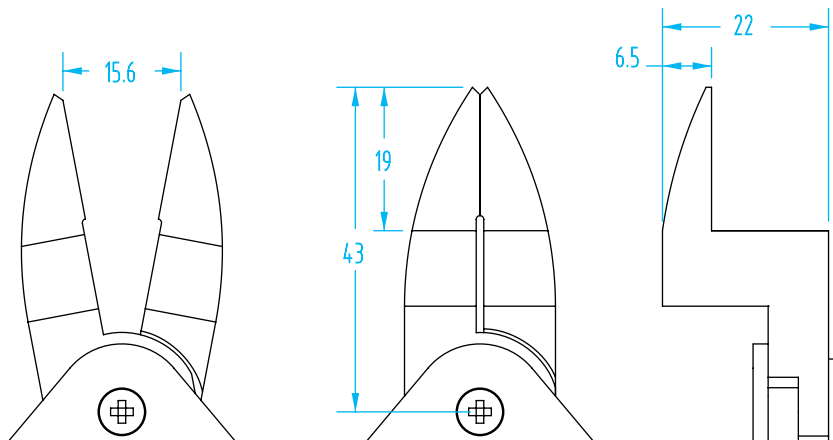
Blades for NY & NF Nippers

Quick#	Part#	Nipper Body	Blade Style	Price
631	GSN-NY25-AJ	NY 25	Standard	\$141.00



Blades for NY & NF Nippers

Quick#	Part#	Nipper Body	Blade Style	Price
632	GSN-NY25-AJL	NY 25	Extra Long, Inline	\$218.00

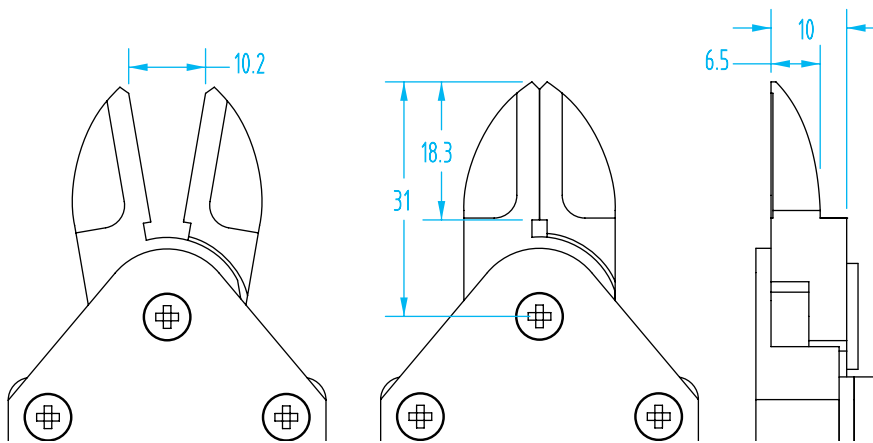


Blades for NY & NF Nippers

Quick#	Part#	Nipper Body	Blade Style	Price
633	GSN-NY25-AH	NY 25	Offset	\$332.00

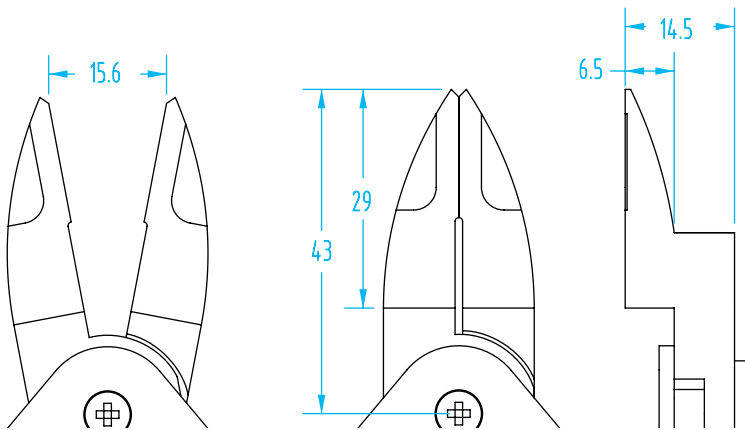
**NY & NF Nipper Blades – Size 25**

(Dimensioned drawings shown full scale)



Blades for NY & NF Nippers

Quick#	Part#	Nipper Body	Blade Style	Price
634	GSN-NY25-RAJ	NY 25	Standard Reversed	\$162.00

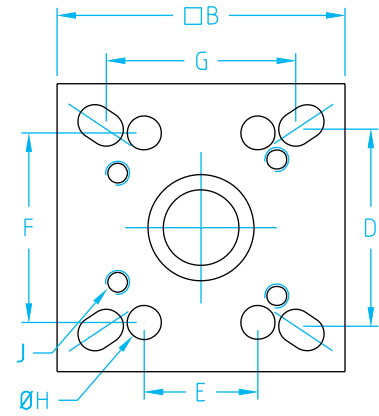
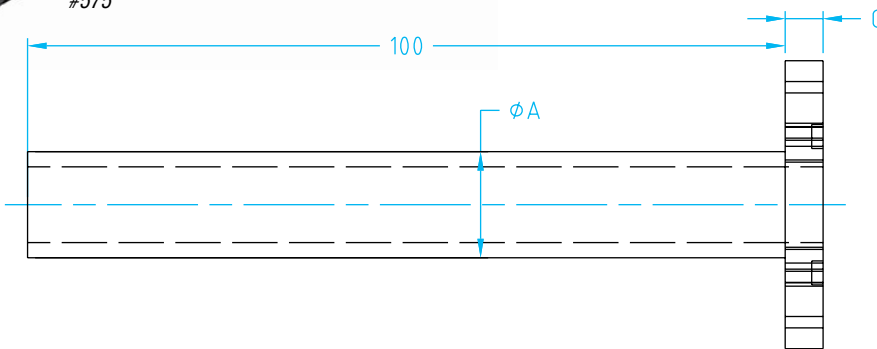
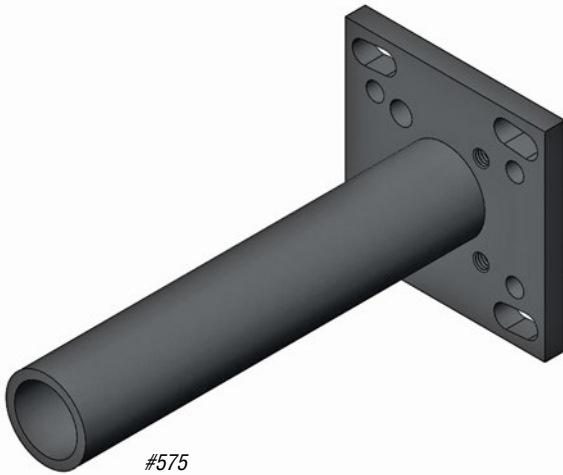


Blades for NY & NF Nippers

Quick#	Part#	Nipper Body	Blade Style	Price
635	GSN-NY25-RAH	NY 25	Offset Reversed	\$324.00



## NF & NY Nipper Mounting Brackets

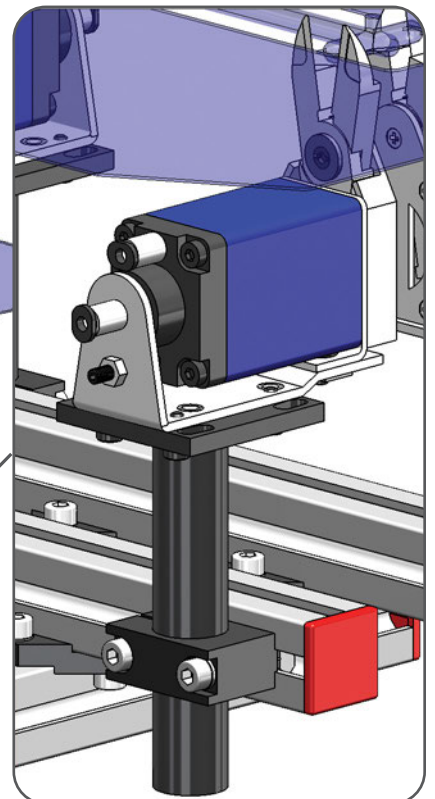
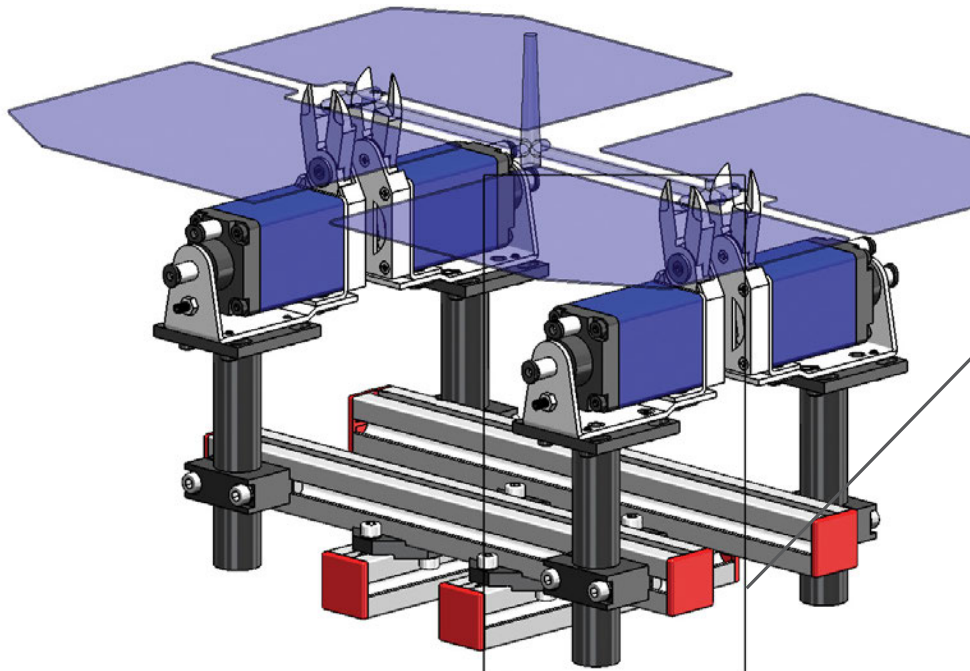


### Round Mounting Brackets

Quick#	Part#	Use with	Wt.	Price	$\phi A$	B	C	D	E	F	G	H	J
573	GSC-RMB-2	NF05	24g	\$22.63	14	26	3	18	17	-	-	3.5	-
574	GSC-RMB-3	NY05, NF15	36g	\$22.69	14	38	5	26	15	25	25	4.5	M3
575	GSC-RMB-4	NY15, NY25	58g	\$23.67	20	50	5	40	30	35	25	5.5	M4

Order mounting screws separately. See page 1077.

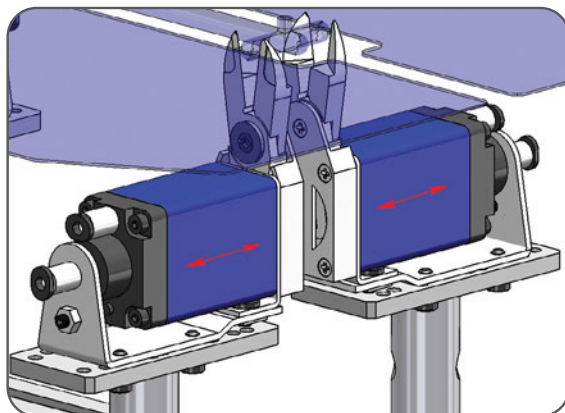
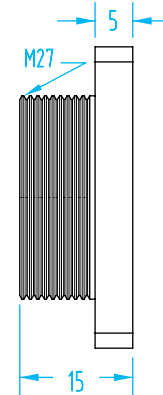
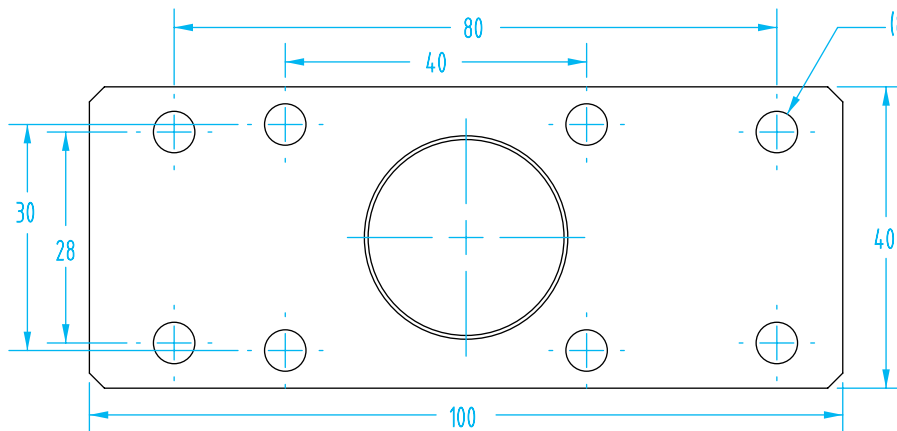
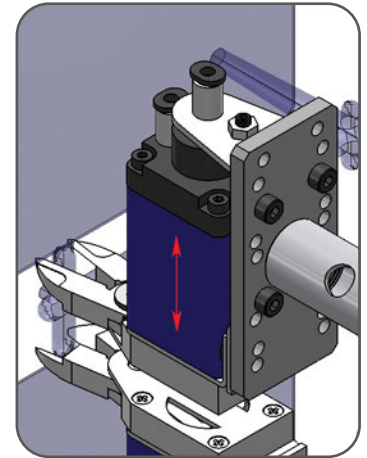
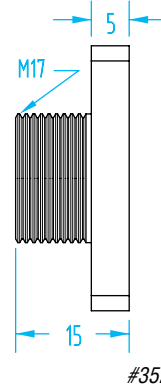
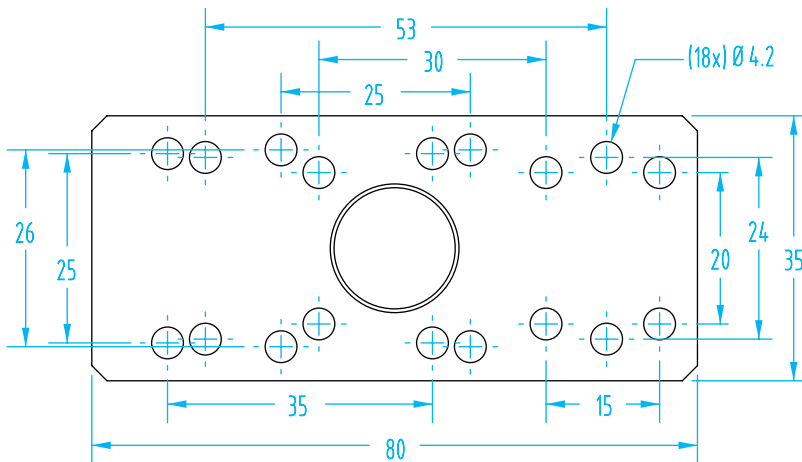
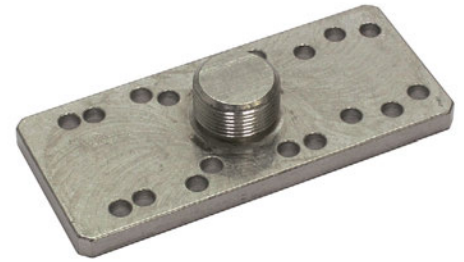
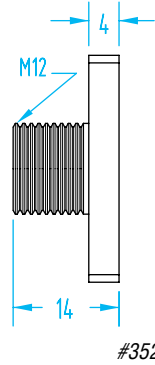
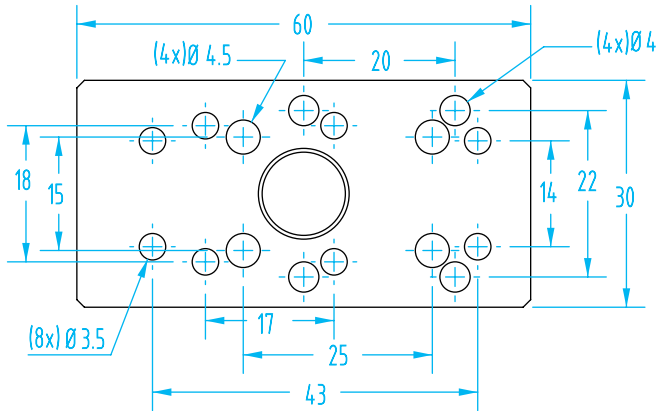
### Application Example





NF, NY, & NT Mounting Brackets

(Dimensioned drawings shown full scale)



Mounting Plates

Quick#	Part#	Price	Use With
3525	ASZ-HP-10	\$33.60	NY05-4, NT03-4, NF05, NF10
3526	ASZ-HP-20	\$35.70	NT05-4, NT10-6, NY10-4, NY15-4, NY15
3527	ASZ-HP-30	\$37.80	NT20-6, NY25-6

Order mounting screws separately. See page 1077.  
Extension Tubes available on page 262 and 217.



## NT – Sliding Nippers

The Vessel® GT-NT series sliding nippers boast a small footprint for applications with space restrictions. The GT-NT03-4 is among the smallest nippers in the industry. Unique to this nipper is the built-in blade opening adjustment and lock. The GT-NT nippers are available in both a PUSH or PULL style to suit your application needs. The slide stroke can be adjusted from 0mm up to 8mm, depending on the model. A standard feature of GT-NT nippers is one-touch quick connection fittings.

See page 925 for Timing Controller.

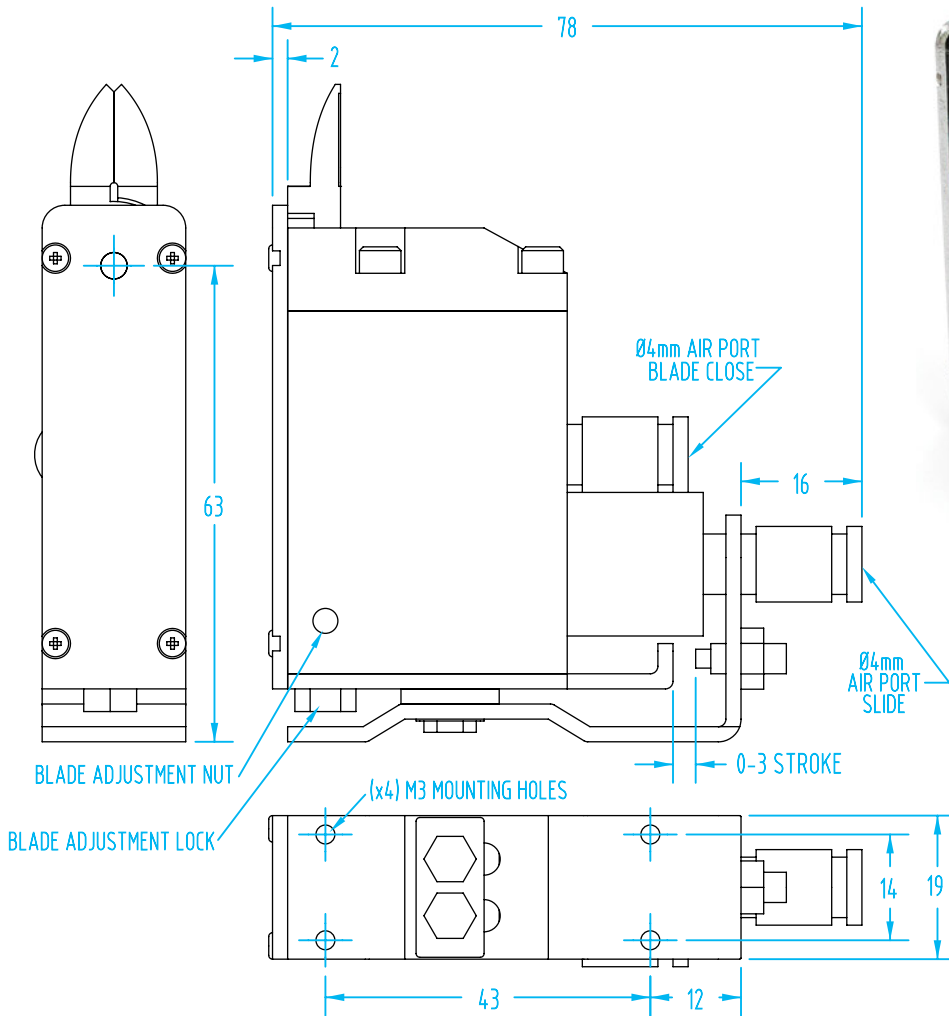


See sliding nipper alternatives on page 842.



**NT03 – Sliding Nippers**

(Dimensioned drawings shown full scale)



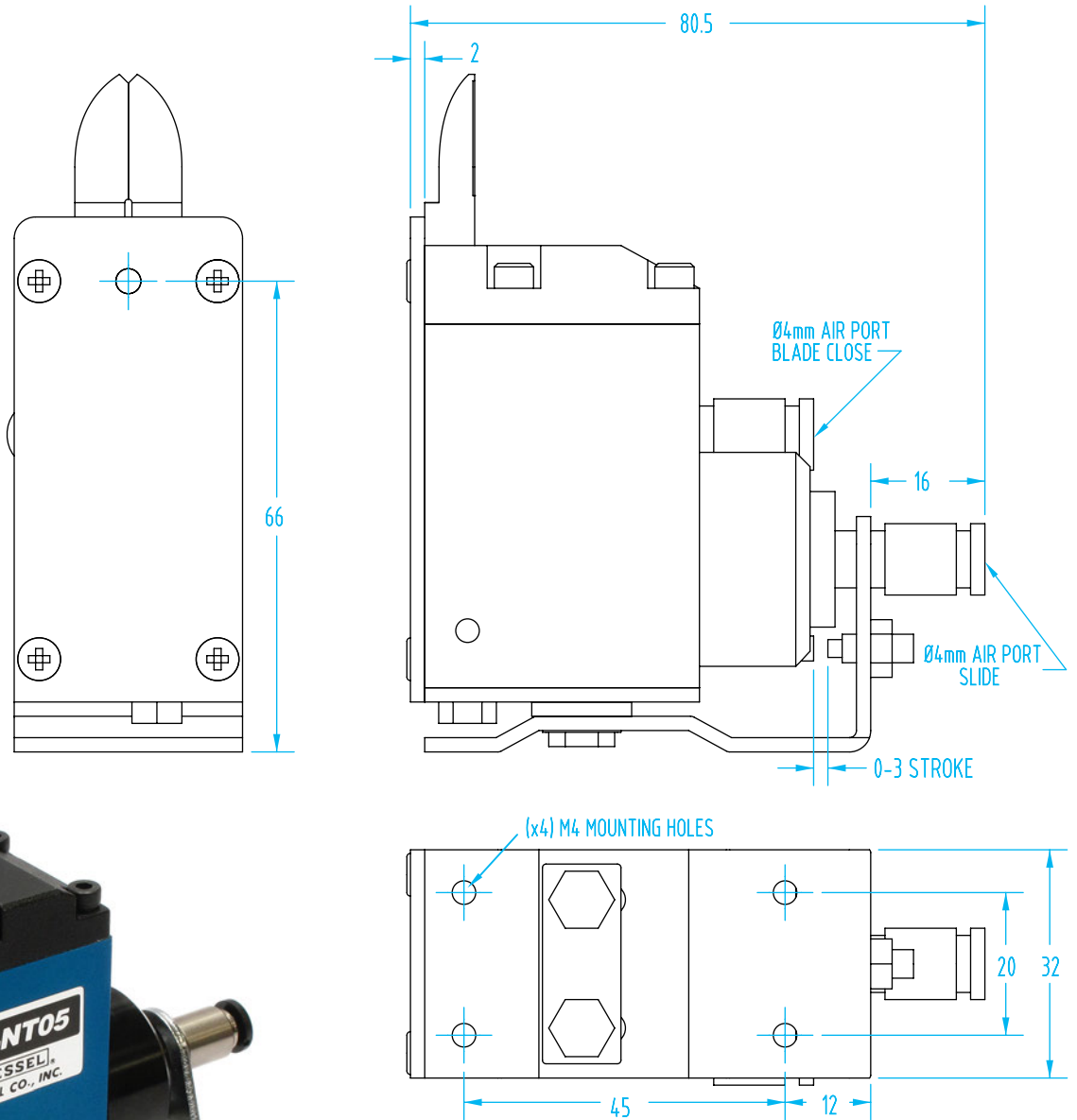
**NT03 - Sliding Nipper**

Quick#	Part#	Price	Weight	Fitting Specs.	Slide Stroke (mm)		Max. Cutting Cap. Ø (mm)	
							Soft Plastic	Hard Plastic
2256	GSN-NT03-4	\$361.00	178g	Push-in fitting, 4mm OD hose	Pull	0-3	1.5	1.0
2257	GSN-NT03R-4	\$361.00	178g	Push-in fitting, 4mm OD hose	Push	0-3	1.5	1.0

Note: R=Push All fittings supplied.

# NT05 – Sliding Nippers

(Dimensioned drawings shown full scale)



Order Blades Separately  
See page 945

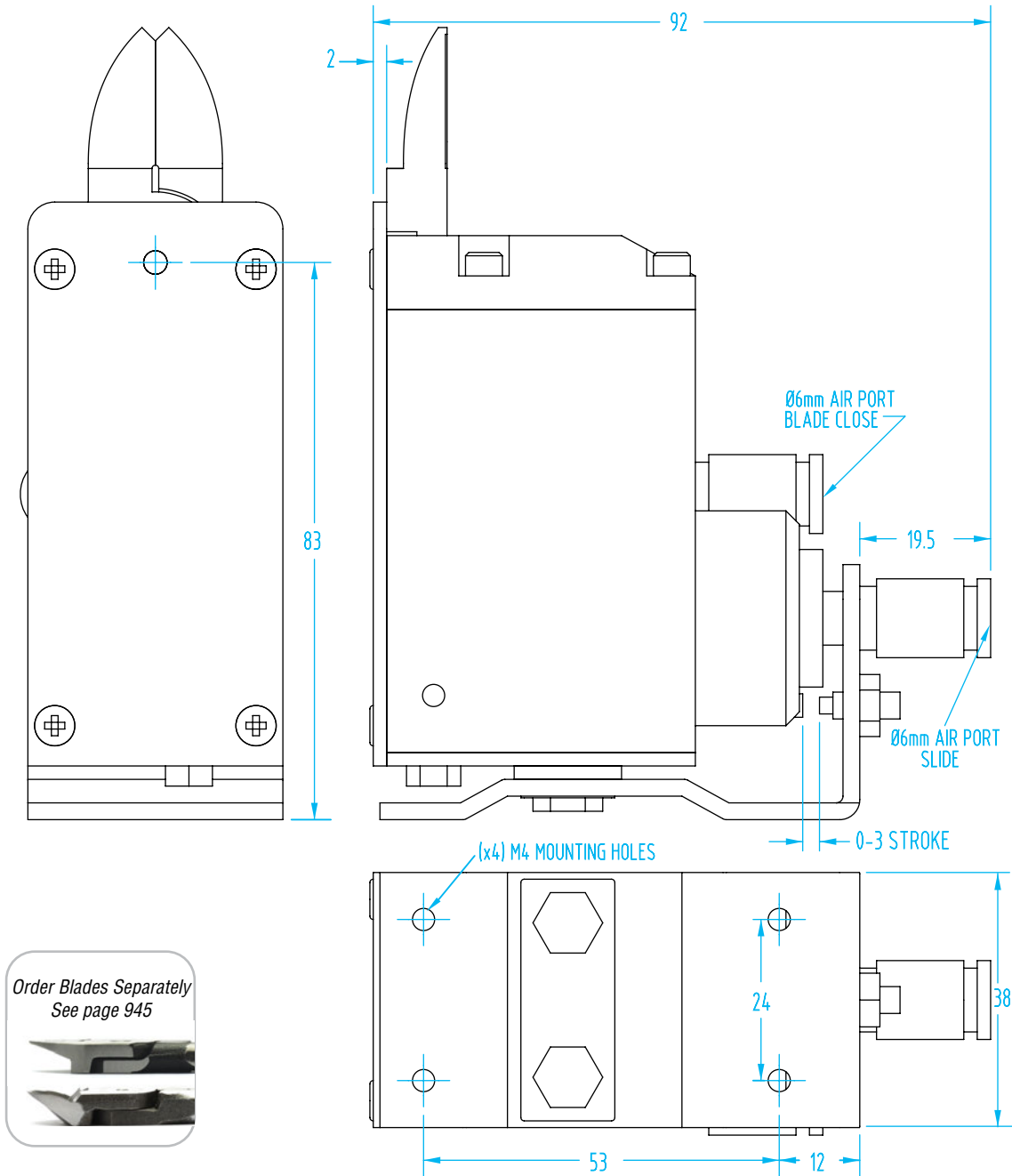
NT05 - Sliding Nipper

Quick#	Part#	Price	Weight	Fitting Specs.	Slide Stroke (mm)		Max. Cutting Cap. Ø (mm)	
							Soft Plastic	Hard Plastic
2070	GSN-NT05	\$387.00	325g	Push-in fitting, 4mm OD hose	Pull	0-3	2.5	1.5
2320	GSN-NT05R-04	\$387.00	325g	Push-in fitting, 4mm OD hose	Push	0-3	2.5	1.5

Note: R=Push All fittings supplied.

**NT10 – Sliding Nippers**

(Dimensioned drawings shown full scale)



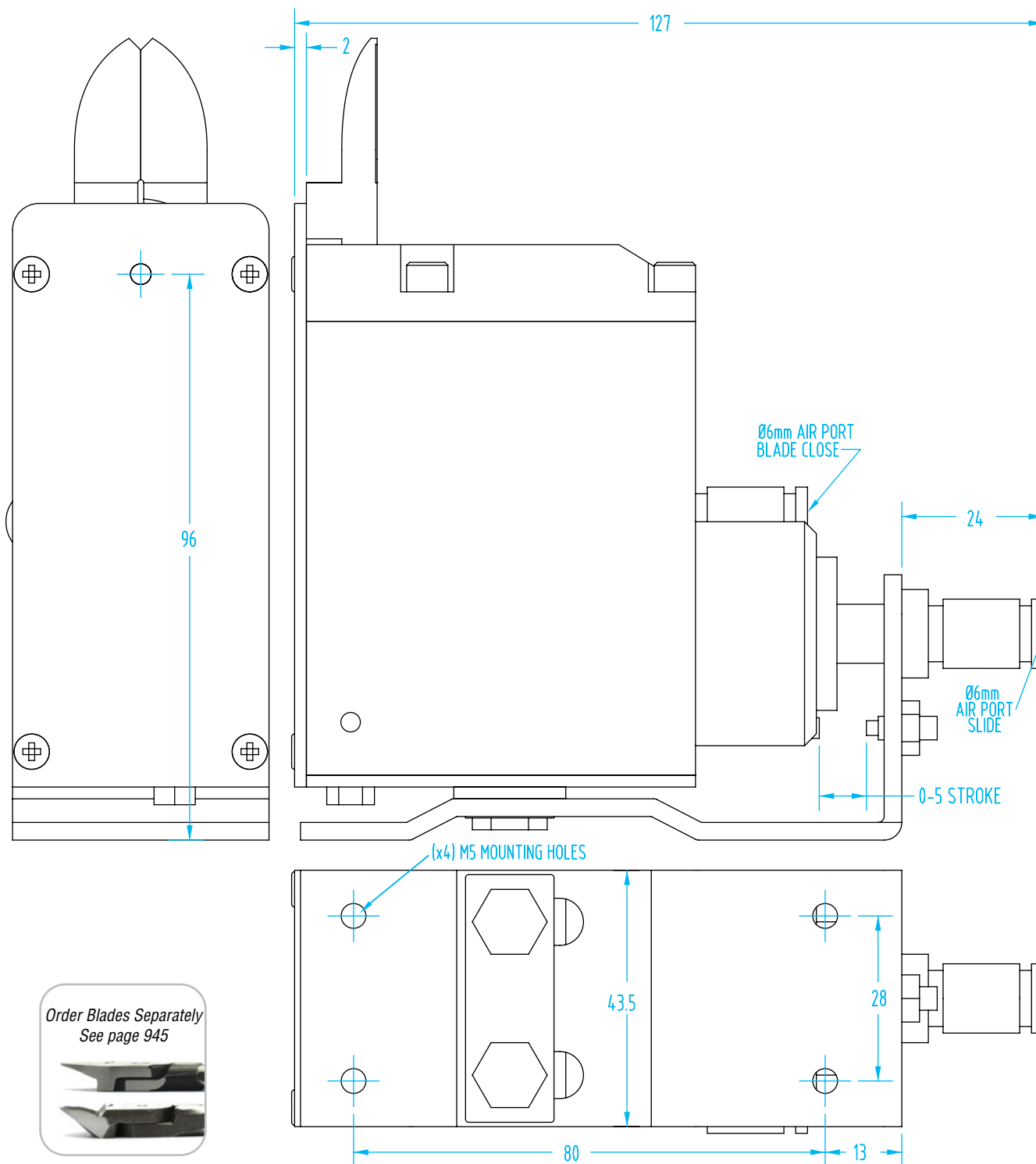
**NT10 - Sliding Nipper**

Quick#	Part#	Price	Weight	Fitting Specs.	Slide Stroke (mm)		Max. Cutting Cap. Ø (mm)	
							Soft Plastic	Hard Plastic
2321	GSN-NT10-6	\$423.00	515g	Push-in fitting, 6mm OD hose	Pull	0-3	3.5	2.3
2322	GSN-NT10R-6	\$423.00	515g	Push-in fitting, 6mm OD hose	Push	0-3	3.5	2.3

Note: R=Push All fittings supplied.

# NT20 – Sliding Nippers

(Dimensioned drawings shown full scale)



Order Blades Separately  
See page 945



NT20 - Sliding Nipper

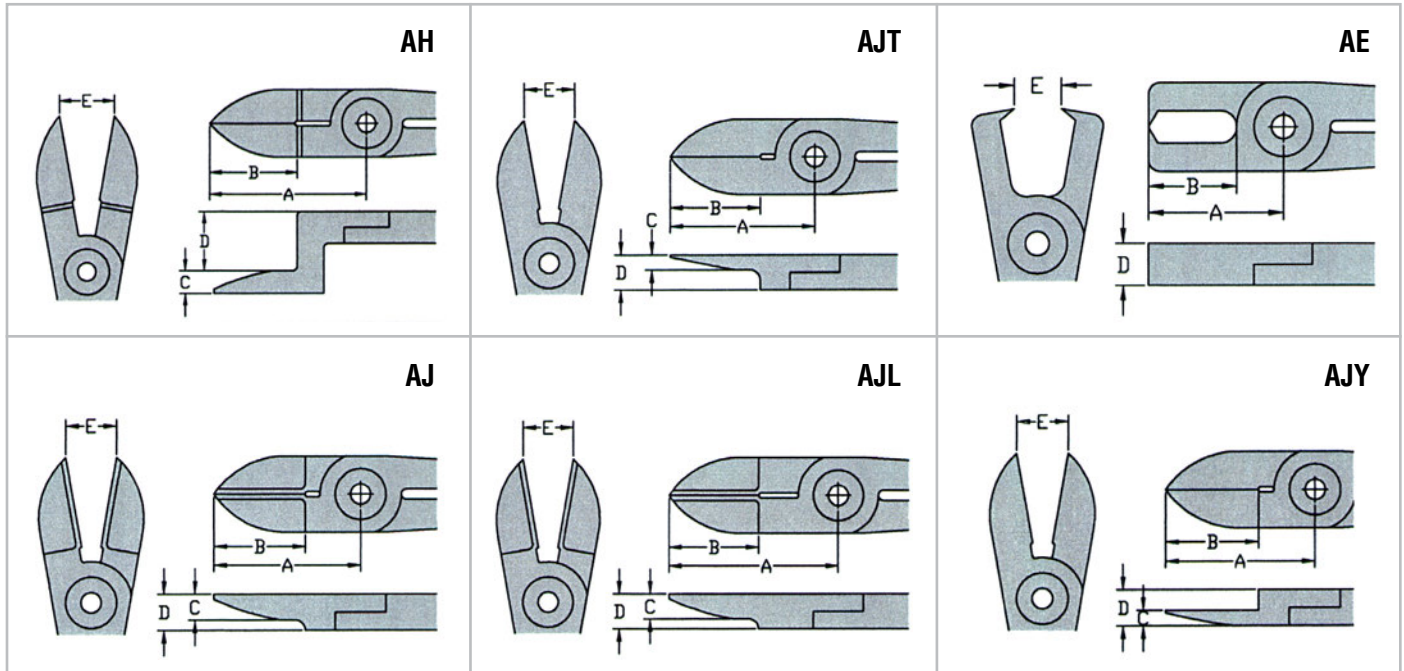
Quick#	Part#	Price	Weight	Fitting Specs.	Slide Stroke (mm)	Max. Cutting Cap. Ø (mm)	
						Soft Plastic	Hard Plastic
2266	GSN-NT20	\$476.00	930g	Push-in fitting, 6mm OD hose	Pull 0-5	5.0	3.4
2323	GSN-NT20R-6	\$476.00	930g	Push-in fitting, 6mm OD hose	Push 0-5	5.0	3.4

Note: R=Push All fittings supplied.



**NT Blades**

Nipper Model	Price	Model#	Quick#	DWG Ref.	Dimensions (mm)					Cutting capacity Ø (mm)		Weight (g)
		Alloy			A	B	C	D	E	Plastic	Hard Plastic	
GT-NT03	\$99.00	GSN NT03 AJ	2421	AJ	24	11	4	7	3	1.5	1.0	20
	\$100.00	GSN NT03 AJT	2258	AJT	24	11	2.3	7	3	1.5	1.0	19
	\$173.00	GSN NT03 AJY		AJY	24	11	2.5	7	3	1.5	1.0	19
GT-NT05	\$117.00	GSN NT05 AE		AE	29	18	-	7	6	2.0	1.3	36
	\$105.00	GSN NT05 AJ	2379	AJ	29	15	5	7	6	2.5	1.2	30
	\$131.00	GSN NT05 AJL	2071	AJL	36	15	5	7	7	2.0	1.3	39
	\$108.00	GSN NT05 AJT	2235	AJT	29	15	3	7	6	2.5	1.2	29
	\$150.00	NT05AJY		AJY	24	11	2.5	7	3	2.5	1.2	29
GT-NT10	\$121.00	GSN NT10 AE	2394	AE	35	22	-	9	7	3.5	2.3	75
	\$105.00	GSN NT10 AJ	5413	AJ	35	17	6	9	7	3.5	2.3	62
	\$143.00	NT10AJL		AJL	47	17	6	9	9	3.0	2.0	62
	\$106.00	NT10AJT		AJT	35	17	4	9	7	3.5	2.3	65
	\$181.00	NT10AJY		AJY	29	15	3	7	6	3.5	2.3	82
GT-NT20	\$101.00	NT20AE		AE	40	25	-	12	9			
	\$110.00	GSN NT20 AJ	2267	AJ	40	20	6	12	9	5.0	3.4	120
	\$152.00	GSN NT20 AJL	2649	AJL	57	20	6	12	12	4.5	3.2	156

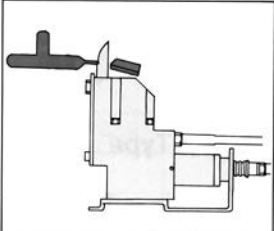
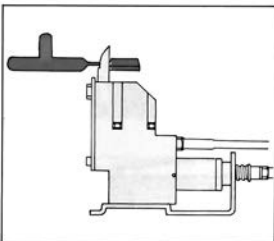
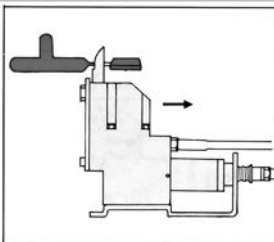
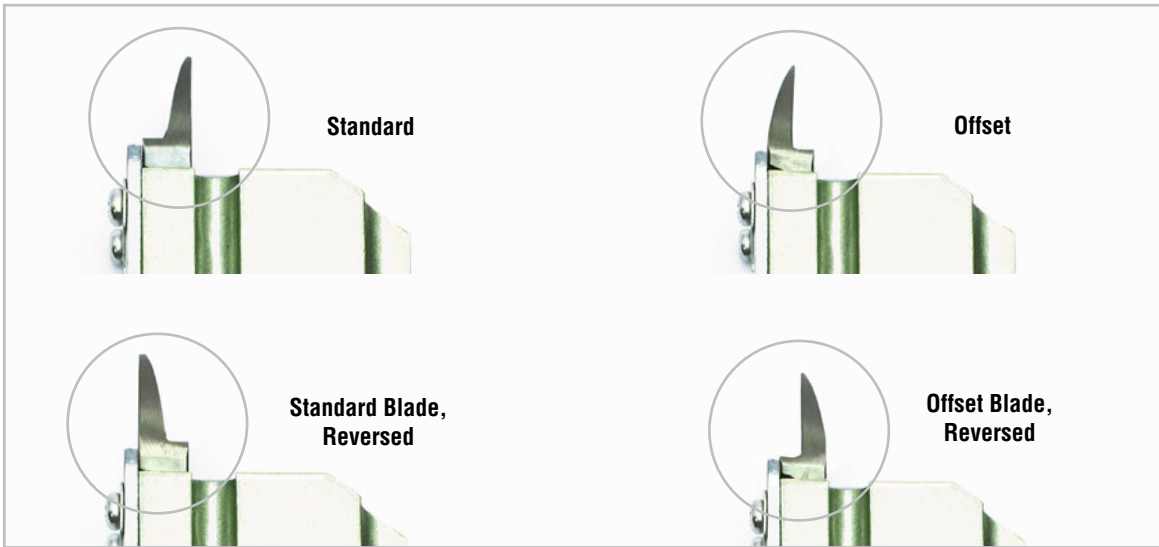


# ME – Sliding Stroke Nippers

ME Nippers - Sliding Type (Order blades separately)

Quick#	Part#	Max. Cutting Cap. Ø	Slide Action	Stroke	Weight	Air Pressure	Price
1575	GSN-ME-3	1.0mm	Pull	3mm	170g	57-71 psi	\$214.00
1576	GSN-ME-5	1.2mm	Pull	3mm	290g	57-71 psi	\$209.00
1577	GSN-ME-10	2.5mm	Pull	3mm	540g	57-71 psi	\$255.00
1578	GSN-ME-20	4.5mm	Pull	5mm	810g	71-85 psi	\$305.00
1579	GSN-ME-30	6.0mm	Pull	5mm	1500g	71-85 psi	\$445.00

\*Note: Timing controller #636 is recommended for use with ME-pull nippers, see page 925.



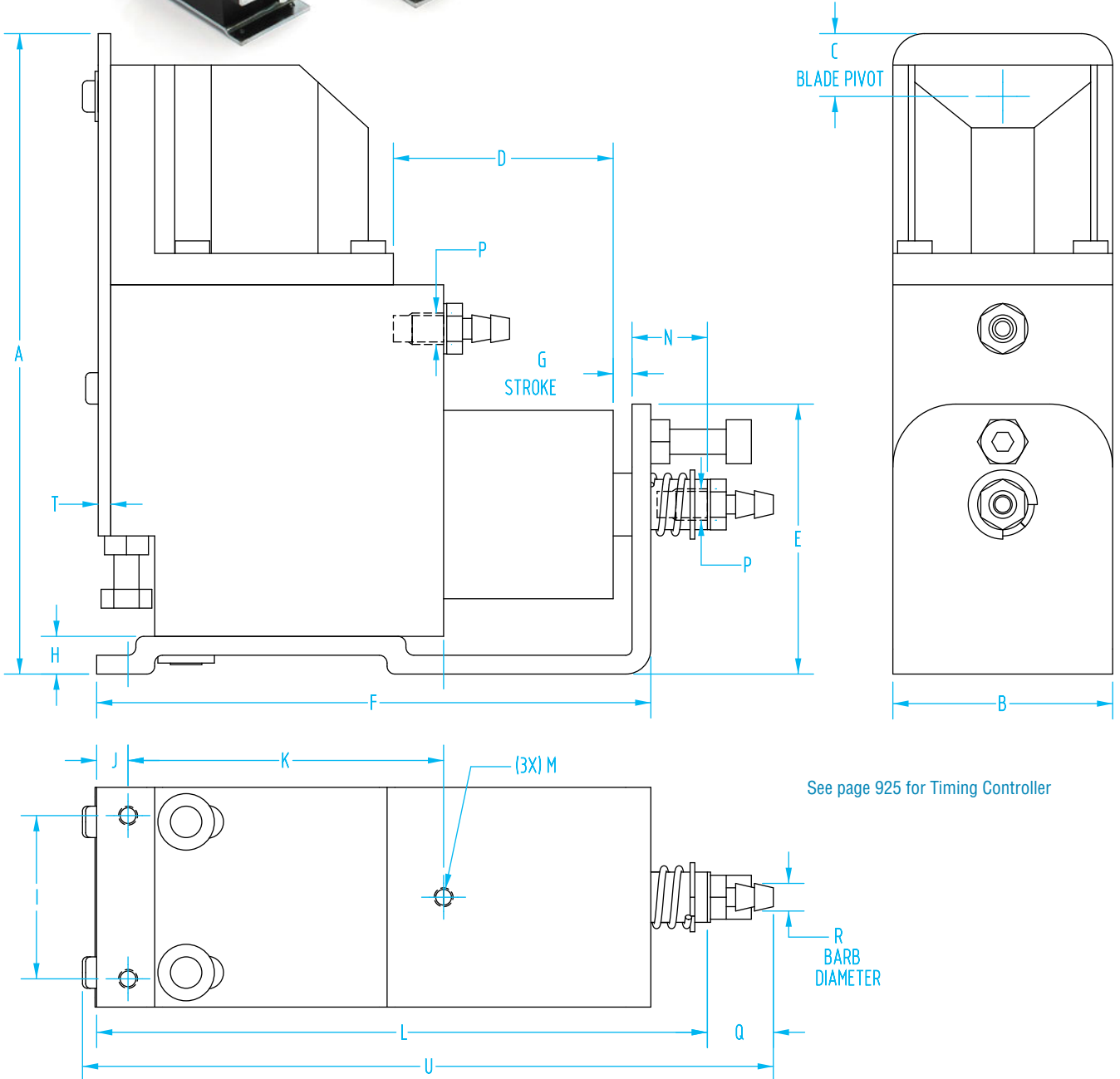
Compressed air is supplied to two ports, allowing for independent control over the sliding stroke and the cutting operations. This allows for multiple cut actions for harder to cut sprues.

Compressed air is applied to activate the pull-sliding stroke. Spring action returns the sliding body to its normal position.

Order Blades Separately  
See page 948



**ME – Sliding Stroke Nippers**



**ME Nipper - Dimensions**

Quick#	Part#	A	B	C	D	E	F	G	H	I	J	K	L	M	N	P	Q	R	T	U
1575	GSN-ME-3	77	20	8	33	34	72.5	3	6	14	2.5	51	81.5	M3x0.5	12	M5x0.8	10.5	4.4	2	92
1576	GSN-ME-5	77	29	9	30	32	76.5	3	6	22	4	49.5	85.5	M3x0.5	12	M5x0.8	10.5	4.4	2	98
1577	GSN-ME-10	102	35	10	35	43	88.3	3	6	26	5	50.3	97.3	M3x0.5	12	M5x0.8	10.5	4.4	2	110
1578	GSN-ME-20	116	44	13	37	48	105	3	6	34	5	88	114	M3x0.5	12	M5x0.8	10.5	4.4	2	126
1579	GSN-ME-30	149	56	15	46	65	128	3	6	44	8	85	137	M3x0.5	12	M5x0.8	10.5	4.4	3	151

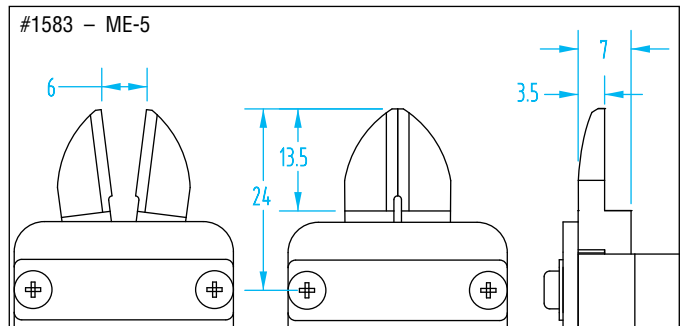
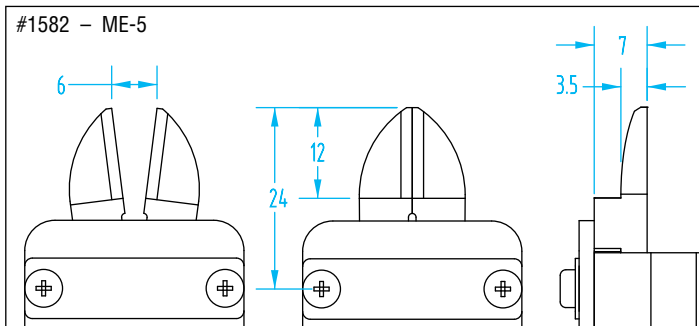
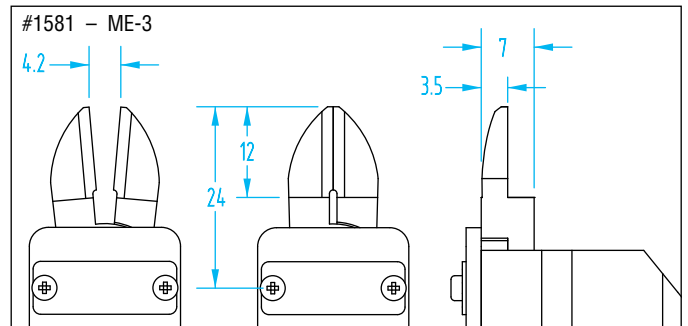
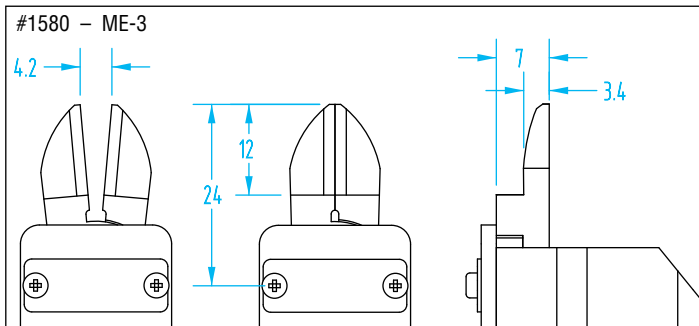
# ME – Blades

## Standard Blades

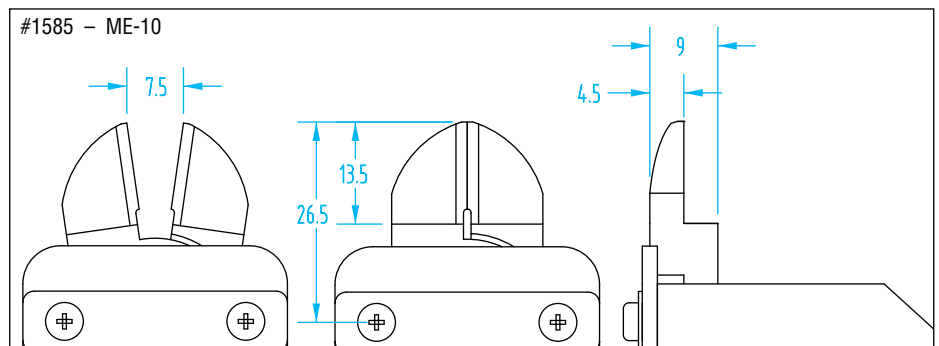
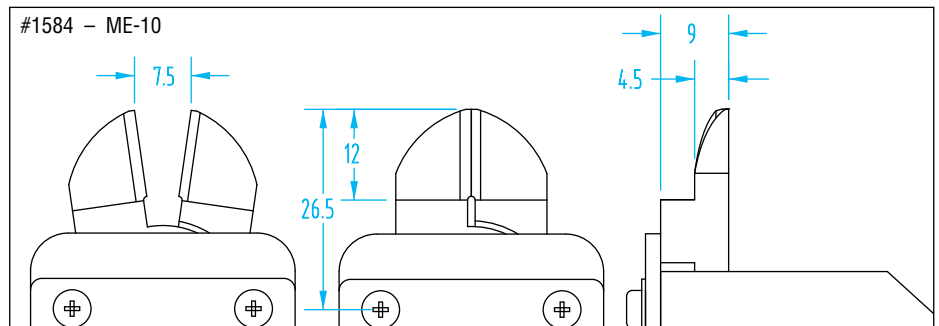


### Blades for ME nippers

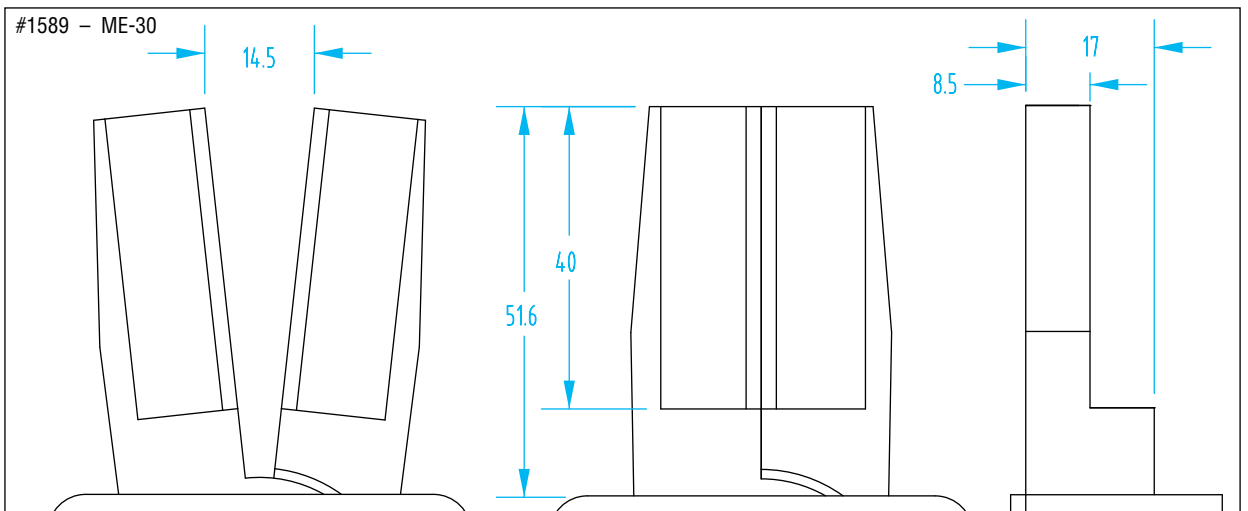
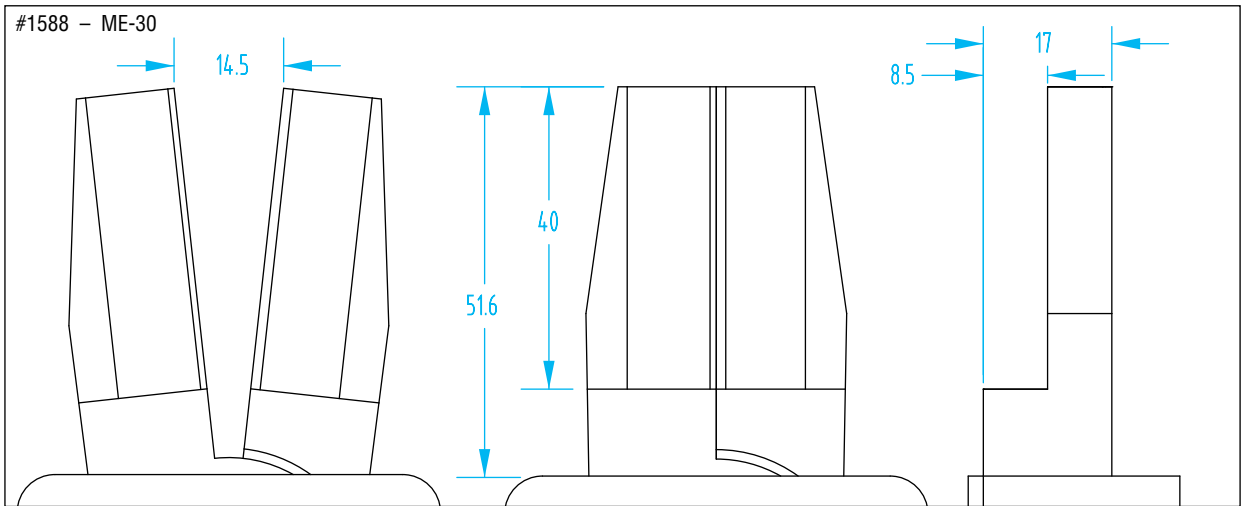
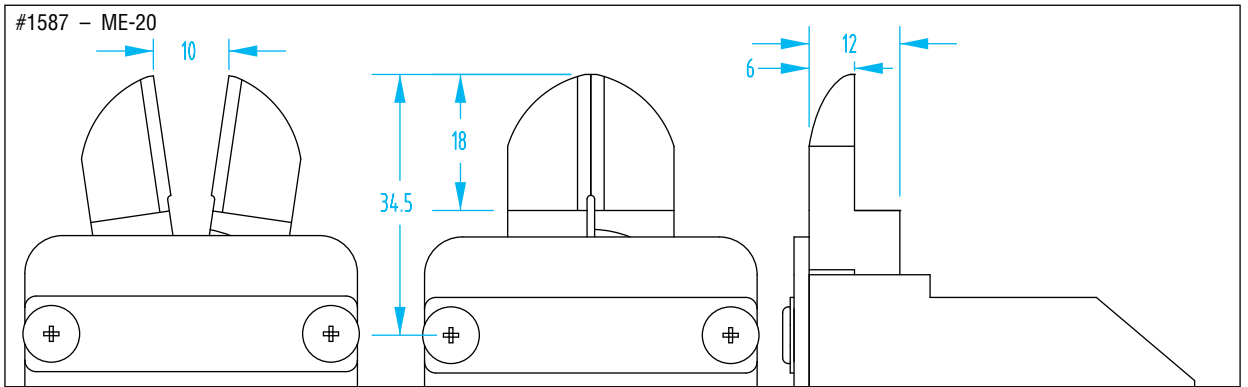
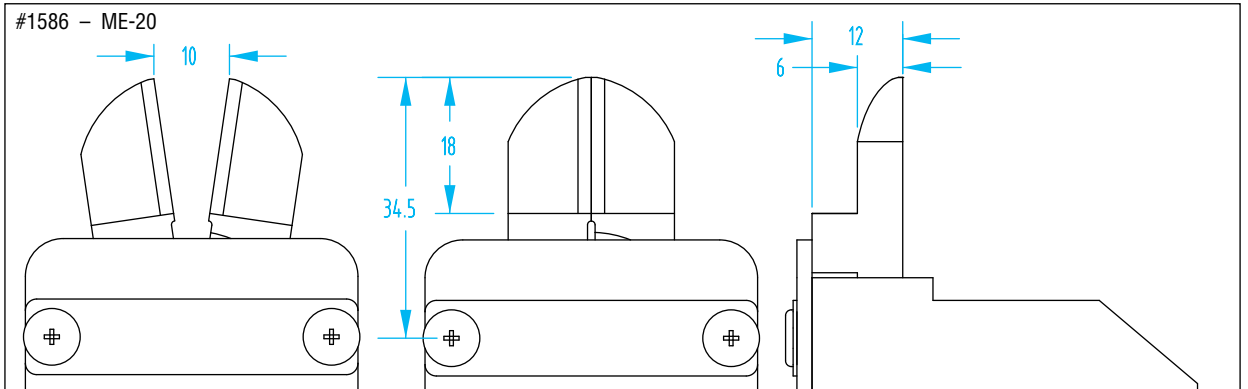
Quick#	Part#	Nipper body	Blade style	Price
1580	GSN-F10E	ME-3	Standard	\$63.50
1581	GSN-F10EK		Offset	\$72.00
1582	GSN-F1E	ME-5	Standard	\$63.50
1583	GSN-F1EK		Offset	\$63.50
1584	GSN-F3E	ME-10	Standard	\$63.50
1585	GSN-F3EK		Offset	\$63.50
1586	GSN-F5E	ME-20	Standard	\$76.00
1587	GSN-F5EK		Offset	\$76.00
1588	GSN-F9E	ME-30	Standard	\$104.00
1589	GSN-F9EK		Offset	\$147.50



Each of these blades may be installed in the nippers either standard or reversed. This gives you four blade configurations from the two styles of blades. Note, the F\_E, and F\_EK blades are for use only with ME-style nippers.



ME – Blades





# MG – Nippers



## nile air tools

*In its inactive state, the blade is open and pivoted forward.*



*When compressed air is applied, the blade pivots backward and closes to cut the sprue flush to the part.*



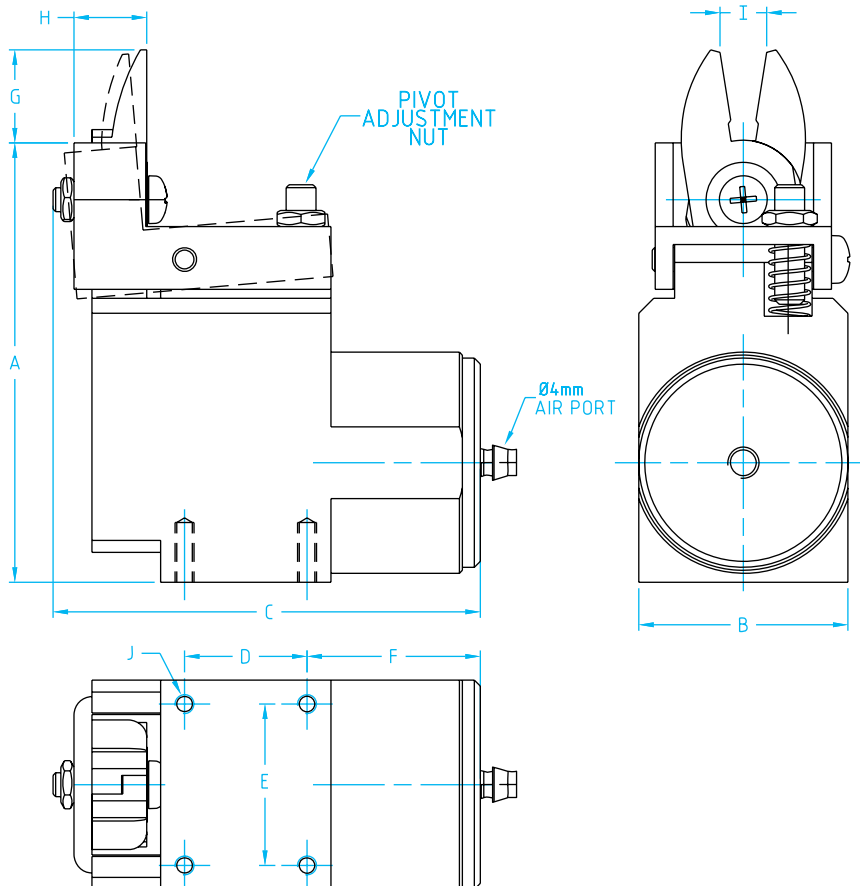
MG – Nippers

- Pivoting blade cuts flush to part.
- No timing unit required.
- When inactive, the blade is open and pivoted forward. When compressed air is applied, the blade pivots backward and closes to cut the sprue flush to the part.
- Pivoting is adjustable by utilizing lock nut.
- Compressed air is supplied to only one 4mm port, making for simplified installation without the requirement of timing units for multiple ports.
- Smaller and lighter weight than similar type nippers.



MG - Nippers (Order Blades Separately)

Quick#	Part#	Price	Max. Cutting Cap. Ø	Stroke	A	B	C	D	E	F	G	H	I	J	Air Pressure	Wt.
1608	GSN-MG-3	\$202.50	2mm	4	50	20	60	16	14	25	15	7	4	M3	57-71 psi	80g
1609	GSN-MG-10	\$262.00	4mm	5	73	35	73	20	27	29	17.5	9	7	M3	57-71 psi	230g
1610	GSN-MG-20	\$301.00	6mm	4	95	46	69	21	36	39	19	12	8	M4	71-85 psi	420g



# MG – Blades



Two blade styles are offered, standard and offset. These blades can only be installed in the nippers one way (these MG-type nippers differ from the ME-type in this manner).

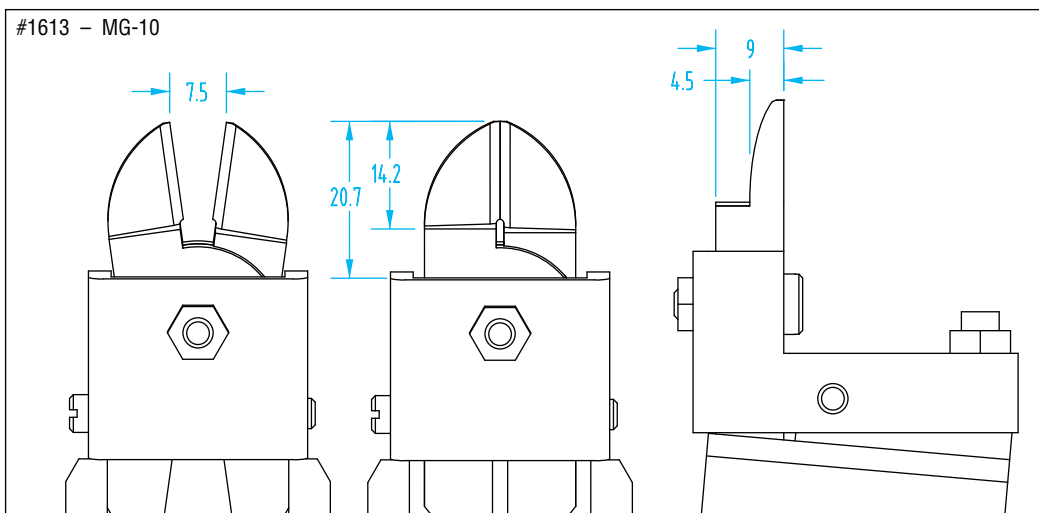
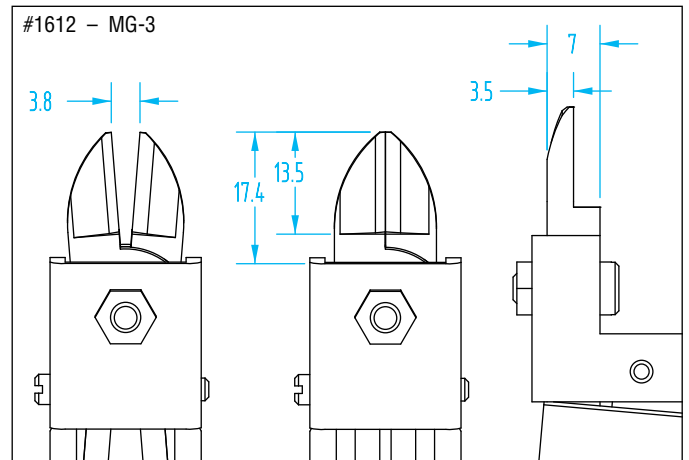
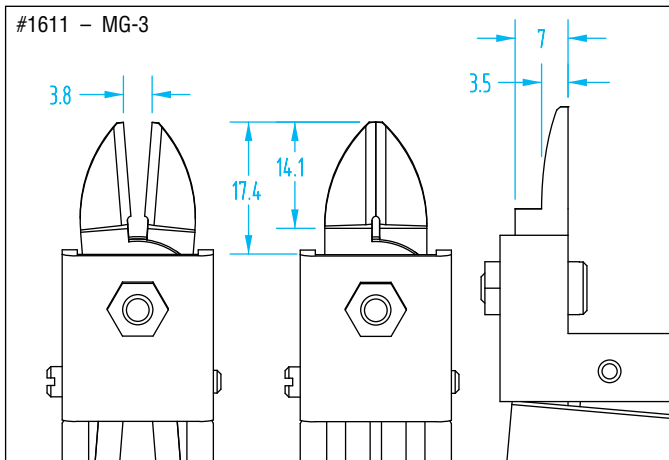
Note, the FG\_ and FG\_K blades are for use only with MG style nippers.

## Standard Blades

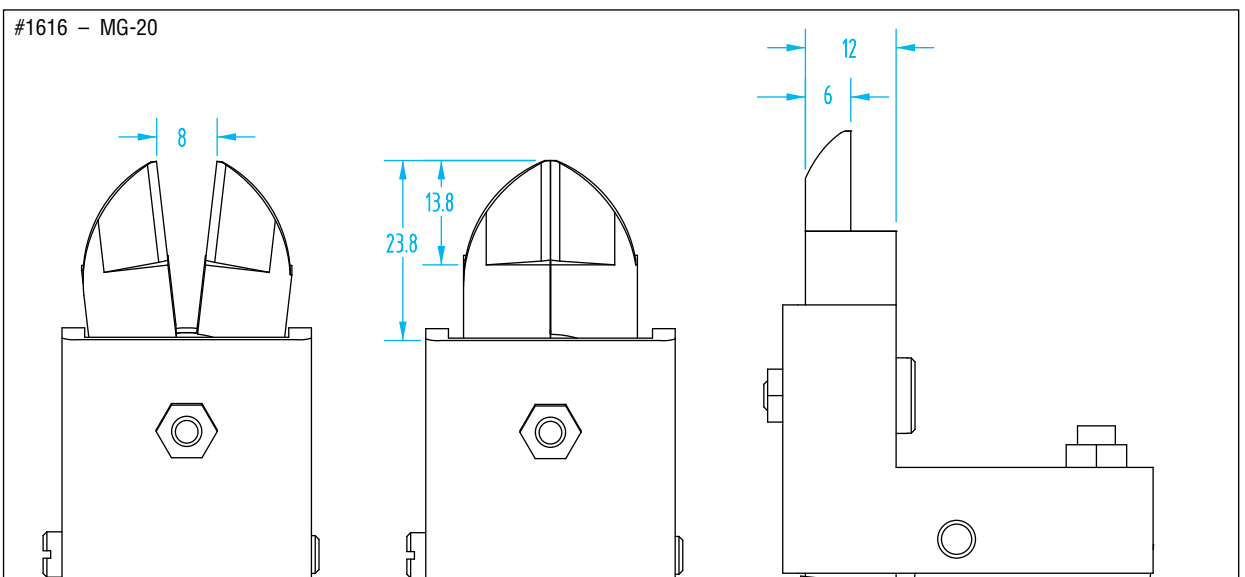
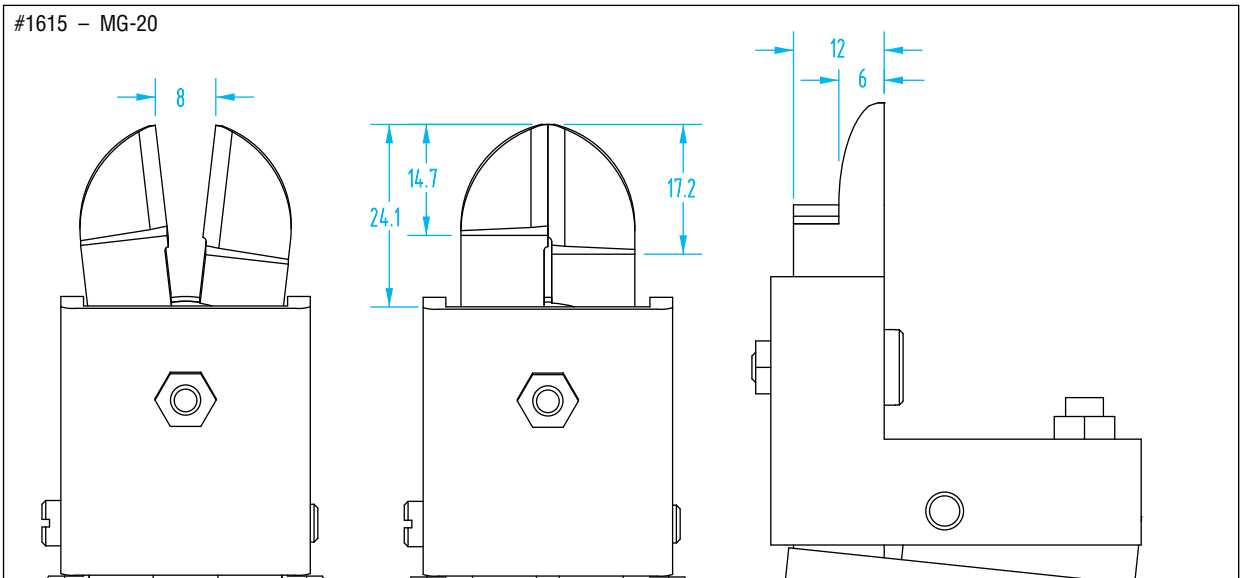
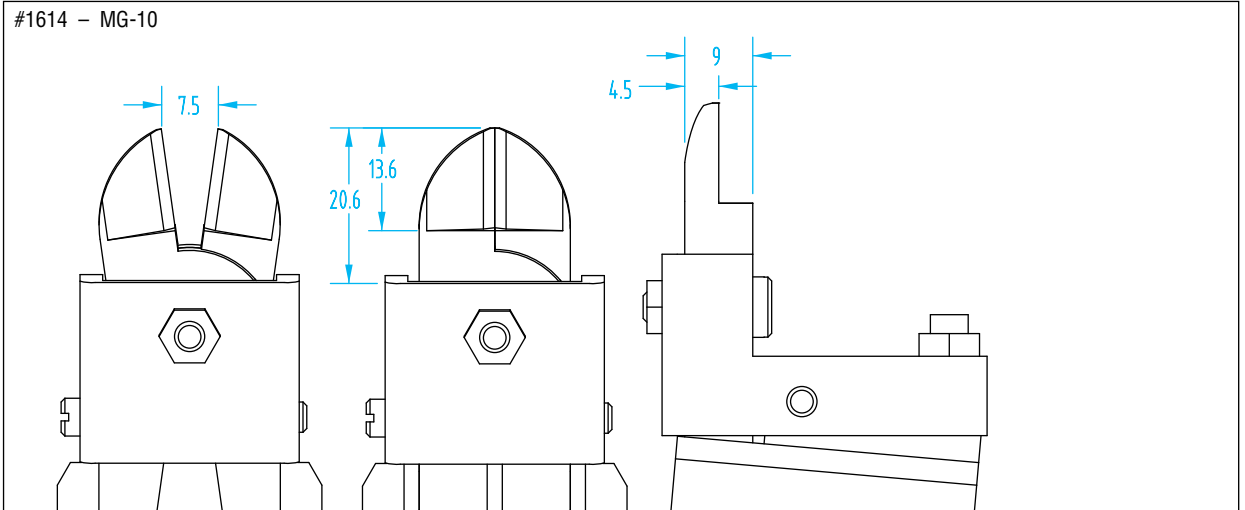


### Blades for MG Nippers

Quick#	Part#	Nipper Body	Blade Style	Price
1611	GSN-FG10	MG-3	Standard	\$72.00
1612	GSN-FG10K		Offset	\$72.00
1613	GSN-FG3	MG-10	Standard	\$72.00
1614	GSN-FG3K		Offset	\$74.50
1615	GSN-FG5	MG-20	Standard	\$84.50
1616	GSN-FG5K		Offset	\$84.50



MG – Blades



## NY, NF, & NT Blades

See page 930–937 for additional blade information

### NY & NF Blades

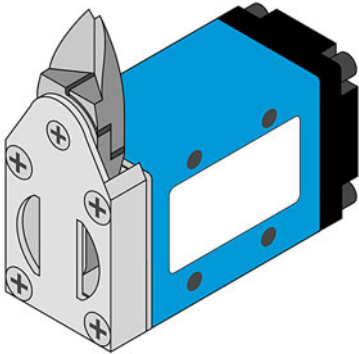
Nipper Model	Quick#	Price	Part#		Additional Versions (Model#)	DWG Ref	Dimensions (mm)					Cutting capacity (mm)		Weight (g)	
			Alloy	Carbide			A	B	C	D	E	Plastic	Hard Plastic		
GT-NY05 GT-NF05	620	\$307.00	GSN NY05 AH			AH	31	11	5	14	5.5	3.0	2.0	37	
	622	\$308.00	GSN NY05 RAH			RAH	30	11	5	7	5	3.0	2.0	31	
	618	\$125.00	GSN NY05 AJ		NY05AJB		AJ	22	11	5	7	4	3.0	2.0	22
	621	\$133.00	GSN NY05 RAJ				RAJ	22	11	5	7	4	3.0	2.0	22
	619	\$174.00	GSN NY05 AJL				AJL	31	11	5	7	5.5	2.8	1.6	29
				NY05AJT			AJT	22	11	5	7	4	3.0	2.0	21
GT-NY10 GT-NY10S GT-NF10	1866	\$314.00	GSN NY10 AH			AH	33	12	5	15	8	3.5	2.3	43	
	1868	\$315.00	GSN NY10 RAH			RAH	32	12	5	7.2	7	3.5	2.3	36	
	1864	\$129.00	GSN NY10 AJ		NY10AJB		AJ	24	15	5	7.2	6	3.5	2.3	28
	1867	\$137.00	GSN NY10 RAJ				RAJ	24	12	5	7.2	6	3.5	2.3	28
	1865	\$182.00	GSN NY10 AJL				AJL	33	12	5	7.2	8	3.2	2.1	37
	2593	\$154.00	GSN NY10 AJT				AJT	24	12	3	7.2	6	3.5	2.3	26
GT-NY15 GT-NF15	627	\$318.00	GSN NY15 AH			AH	38	13	5.5	16	11	4.0	2.6	63	
	629	\$320.00	GSN NY15 RAH			RAH	35	13	5.5	7.7	11	4.0	2.6	52	
	625	\$132.00	GSN NY15 AJ		NY15AJB		AJ	27	13	5.5	8.2	8	4.0	2.6	41
	628	\$140.00	GSN NY15 RAJ				RAJ	27	13	5.5	8.2	8	4.0	2.6	41
	626	\$193.00	GSN NY15 AJL				AJL	38	13	5.5	8.2	11	3.7	2.3	50
	2584	\$166.00	GSN NY15 AJT				AJT	27	13	5.5	8.2	8	4.0	2.6	38
GT-NY25	633	\$332.00	GSN NY25 AH			AH	46	16	6	18	13	5.0	3.4	110	
	635	\$324.00	GSN NY25 RAH			RAH	42	16	6	10	12	5.0	3.4	89	
	631	\$141.00	GSN NY25 AJ		NY25AJB		AJ	31	16	6	10	9	5.0	3.4	65
	634	\$162.00	GSN NY25 RAJ				RAJ	31	16	6	10	9	5.0	3.4	65
	632	\$218.00	GSN NY25 AJL				AJL	46	16	6	10	13	4.7	3.0	88

### NT Blades

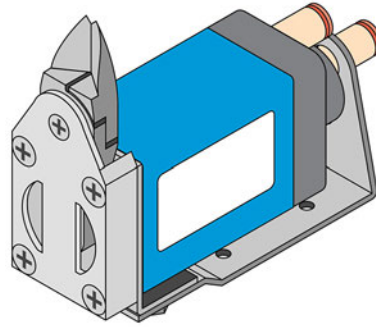
Nipper Model	Price	Model#	Quick#	Additional Versions (Model#)		DWG Ref	Dimensions (mm)					Cutting capacity (mm)		Weight (g)	
				Alloy	Carbide		High Speed Steel	A	B	C	D	E	Plastic		Hard Plastic
GT-NT03	\$99.00	NT03AJ	2421		NT03AJB		AJ	24	11	4	7	3	1.5	1.0	20
	\$100.00	NT03AJT	2258				AJT	24	11	2.3	7	3	1.5	1.0	19
	\$173.00	NT03AJY					AJY	24	11	2.5	7	3	1.5	1.0	19
GT-NT05	\$348.00	NT05AD					AD	29	2.5	2.5	7	6	2.5	1.2	37
	\$117.00	NT05AE					AE	29	18	-	7	6	2.0	1.3	36
	\$105.00	NT05AJ	2379		NT05AJB	NT05AJH	AJ	29	15	5	7	6	2.5	1.2	30
	\$131.00	NT05AJL	2071				AJL	36	15	5	7	7	2.0	1.3	39
	\$108.00	NT05AJT	2235				AJT	29	15	3	7	6	2.5	1.2	29
	\$150.00	NT05AJY					AJY	24	11	2.5	7	3	2.5	1.2	29
GT-NT10	\$359.00	NT10AD					AD	35	4	4	9	7	3.5	2.3	65
	\$121.00	NT10AE	2394				AE	35	22	-	9	7	3.5	2.3	75
	\$105.00	NT10AJ	5413		NT10AJB	NT10AJH	AJ	35	17	6	9	7	3.5	2.3	62
	\$143.00	NT10AJL					AJL	47	17	6	9	9	3.0	2.0	62
	\$106.00	NT10AJT					AJT	35	17	4	9	7	3.5	2.3	65
\$181.00	NT10AJY					AJY	29	15	3	7	6	3.5	2.3	82	
GT-NT20	\$425.00	NT20AD					AD	40	6	5	12	9	2.0	2.0	141
	\$276.00	NT20AE	696				AE	40	25	-	12	9			
	\$110.00	NT20AJ	2267		NT20AJB	NT20AJH	AJ	40	20	6	12	9	5.0	3.4	120
	\$152.00	NT20AJL	2649				AJL	57	20	6	12	12	4.5	3.2	156



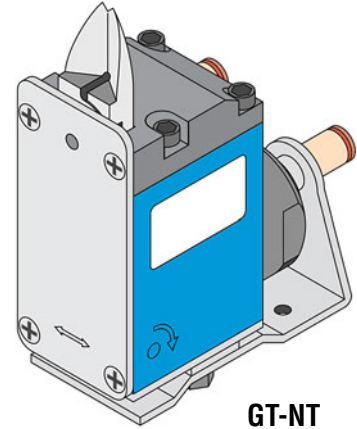
**NY, NF, & NT Blades**



**GT-NF**



**GT-NY**



**GT-NT**

<p style="text-align: right;"><b>RAH</b></p>	<p style="text-align: right;"><b>RAJ</b></p>	<p style="text-align: right;"><b>AE</b></p>
<p style="text-align: right;"><b>AJ</b></p>	<p style="text-align: right;"><b>AJL</b></p>	<p style="text-align: right;"><b>AJY</b></p>
<p style="text-align: right;"><b>AD</b></p>	<p style="text-align: right;"><b>AH</b></p>	<p style="text-align: right;"><b>AJT</b></p>

## NR & NS Blades

Additional blade information is available on pages 858–890.

Nipper Model	Standard Part#		Additional Versions (Part#)		DWG Ref	Dimensions (mm)					Cutting capacity (mm)	
	Alloy	Carbide	High Speed Steel	A		B	C	D	E	Plastic	Hard Plastic	
GT-N3 NR3 NS3 NS2	N3AE			AE	20	7	-	7	3.5	2.0		
	N3AJ			AJ	24	12	4	7	5.5	2.0		
	N3AJT			AJT	24	12	2.3	7	5.5	2.0		
	N3AJY			AJY	24	12	2.5	7	5.5	2.0		
	N3AP	N3APB		AP	24	11	15°	7	4	2.0		
GT-N5 NR5 NS5	N5AE	N5AEB315		AE	20	7	-	7	3.5	2.0		
	N5AP	N5ABB380		AP	24	13	15°	7	4	2.0		
	N5AS	N5BBB385		AS	24	13	25°	7	4			
GT-N7 NR7 NS7	N7AE	N7AEB	N7AEH150	AE	26	9	-	9	4	3.0	2.0	
	N7AP		N7HS	AP	27	14	30°	9	4	3.0	2.0	
	N7PF			PF	27	10	40°	9	4	3.0	2.0	
GT-N10	N10AP			AP	27	14	30°	9	5	4.0	2.6	
GT-NR10L NS10L	N10LAB2			AJ	61	36	7	12	10	4.0	2.6	
	N10LAP			AP	35	16	15°	12	5	4.0	2.6	
	N10LPF			PF	35	13	45°	12	5	4.0	2.6	
GT-N12 NR12 NS12	N12AA27			AP	45	25	23°	12	7.5			
	N12AP			AP	35	21	30°	12	5			
	N12PF			PF	35	14	40°	12	6.5	4.5	4.0	
GT-N20 NR20 NS20	N20AA239	N20AAB825	N20AAH693	AP	-	37	40°	12	14			
	N20AA27			AP	45	25	23°	12	12	7.0	5.0	
	N20AB39	N20AJB1118		AJ	61	36	7	12	14	7.0	5.0	
	N20AE	N20AEB113	N20AEH727	AE	28	15	-	12	8	7.0	5.0	
	N20AEL			AE	48	31	-	12	13	5.0	3.0	
	N20AH			AH	60	23	4	24	16	6.0	4.0	
	N20AJ	N20AJB875	N20AJH1099	AJ	35	18	8	12	11	7.0	5.0	
	N20AJL	N20AJLB1004	N20AJHL	AJL	65	20	4	12	16	6.0	4.0	
	N20AJT			AJT	35	18	3	12	11	6.0	4.0	
	N20AJY			AJY	40	19	5	12	10	6.0	4.0	
	N20AL			AL	45	19	32	12	12			
	N20AML			AM	68	36	-	17	13			
	N20AMR			AM	68	36	-	17	13			
N20AP	N20APB629	N20APH740	AP	35	18	15°	12	9.5	7.0	5.0		
N20PF	N20PFB544	N20ABH1220	PF	35	14	40°	12	9.5	7.0	5.0		
GT-N30 NR30 NS30	N30AA114	N30AAB513		AP	76	50	30°	17	20			
	N30AA165			AP	76	50	40°	17	20			
	N30AE			AE	45	28	-	17	12	10	6.5	
	N30AE767			AE	60	43	-	17	16	8.5	4.5	
	N30AH			AH	80	32	8	57	22			
	N30AJ	N30AJB712		AJ	52	28	8	17	11	10	6.5	
	N30AJL	N30AJB779	N30AJH1015	AJL	75	25	8	17	19	8.0	5.0	
	N30AL	N30ALB		AL	50	35	54	17	14			
	N30AP	N30ABB241		AP	66	38	15°	17	16	10	6.5	
	N30AML			AM	68	35	-	17	13			
N30AMR			AM	68	35	-	17	13				
N30PF	N30PFB293	N30ABH845	PF	58	25	30°	17	15	10	6.5		
GT-N50 NR50 NS50	N50AB			AJ	90	29	30°	25	21			
	N50ABH41 (High Speed Steel)			AJ	120	35	30°	25	35			
	N50AJL			AJL	110	35	15	25	26			
	N50AL			AL	84	35	64	25	20			

**NR & NS Blades**



GT-NS



GT-NR

<p><b>AP</b></p>	<p><b>PF</b></p>	<p><b>AE</b></p>
<p><b>AJ</b></p>	<p><b>AJL</b></p>	<p><b>AJY</b></p>
<p><b>AM</b></p>	<p><b>AL</b></p>	<p><b>AJT</b></p> <p><b>AH</b></p>

# Manually Actuated Nippers



**VESSEL** AIR NIPPER

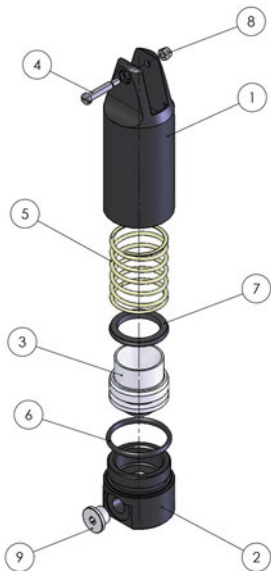
Blades purchased separately. Dimensional Drawings found online at: [www.EMlcorp.com](http://www.EMlcorp.com), search by Quick#.

### Vessel Manually Activated Nippers

Quick#	Part#	Price	Vessel Model	Description
2310	GSN-N5	\$263.00	GT-N5/SL	Manual Nipper - Size 5
2311	GSN-N10	\$287.00	GT-N10/SL	Manual Nipper - Size 10
2312	GSN-N20	\$305.00	GT-N20/SL	Manual Nipper - Size 20
2280	GSN-GTN30	\$376.00	GT-N30/SL	Manual Nipper - Size 30
2325	GSN-N50	\$1,013.00	GT-N50/SL	Manual Nipper - Size 50

Order Blades Separately, See pages 870–890.

(SL=with Shutoff Lever)



### Additional Spare Parts can be found online!

We expanded our offering of spare parts. These can be found online by searching for the Quick#. Once on the product page, you will find Exploded Views & Spare Parts listed below the Related Items. Shown here are spare parts for the Gimatic Nipper #1902. Purchase spare parts separately, or together as the Service Rebuild Kit.

Parts for 1902 Gimatic Nipper Round Body Size 10

Enter the quantity for each needed part and click add to cart Add to Cart Print Parts List

No.	Part No.	Item Description	Qty Req.	Price	Qty
3	GN 10 03	Piston for Gimatic Nipper GN-10	0	\$25.69 Each	<input type="text"/>
5	GSN GN 10S MS	6561 Main Spring for Gimatic Nipper GN-10(S)	0	\$2.72 Each	<input type="text"/>
6,7	KIT1 GN10S	Seal Kit for Gimatic Nipper GN-10S, GN-10	0	\$2.86 Each	<input type="text"/>
4	GSN GN10S BMP	2595 Blade Mounting Pin for GN10S	0	\$4.20 Each	<input type="text"/>
8	GSN GN5135 BMN	2598 Blade Mounting Nut for GN 05(S) & GN10(S)	0	\$0.50 Each	<input type="text"/>
9	107 G1 8	Internal Hex Threaded Plug	0	\$2.41 Each	<input type="text"/>
4,5,6,7,8	GSN GN10 RK	2076 Rebuild Kit for Gimatic GN-10 & GN-10S	0	\$7.25 Each	<input type="text"/>

Add to Cart Print Parts List



## Replacement Nipper Parts

### Gimatic Nipper Parts

#### Service Kits for Gimatic Nippers

Quick#	Part#	Price	Description
2075	GSN-GN05-RK	\$10.20	Gimatic Rebuild Kit - GN-05 & GN-05S
2076	GSN-GN10-RK	\$7.50	Gimatic Rebuild Kit - GN-10 & GN-10S
2077	GSN-GN20-RK	\$8.60	Gimatic Rebuild Kit - GN-20 & GN-20S
2078	GSN-GN30-RK	\$18.20	Gimatic Rebuild Kit - GN-30 & GN-30S
2079	GSN-GN50-RK	\$22.60	Gimatic Rebuild Kit - GN-50 & GN-50S

*Kit includes: Blade mount nut, blade mount screw, o-rings, & main spring.*



#### Blade Mounting Pins for Gimatic Nippers

Quick#	Part#	Price	Description
2594	GSN-GN05S-BMP	\$6.48	Blade Mounting Pin for GN05(S)
2595	GSN-GN10S-BMP	\$4.37	Blade Mounting Pin for GN10(S)
2596	GSN-GN20S-BMP	\$3.72	Blade Mounting Pin for GN20(S)
2597	GSN-GN30S-BMP	\$4.68	Blade Mounting Pin for GN30(S) & GN50(S)



#### Main Spring for Gimatic Nippers

Quick#	Part#	Price	Description
6560	GSN-GN-05S-MS	\$1.60	Main Spring for GN05(S)
6561	GSN-GN-10S-MS	\$2.83	Main Spring for GN10(S)
6562	GSN-GN-20S-MS	\$4.68	Main Spring for GN20(S)
6563	GSN-GN-30S-MS	\$3.54	Main Spring for GN30(S)
6564	GSN-GN-50S-MS	\$8.39	Main Spring for GN50(S)



### Swanstrom Nipper Parts

#### Service Kits for All Swanstrom Nippers

Quick#	Part#	Price	Description
5077	PTR-05-RK	\$115.00	Swanstrom Rebuild Kit - Size 05
5078	PTR-10-RK	\$118.00	Swanstrom Rebuild Kit - Size 10
5079	PTR-20-RK	\$128.00	Swanstrom Rebuild Kit - Size 20
5080	PTR-30-RK	\$138.00	Swanstrom Rebuild Kit - Size 30
5081	PTR-50-RK	\$156.00	Swanstrom Rebuild Kit - Size 50

*Kit includes 1 ea.: Piston, blade mount nut, blade mount screw, o-rings, & main spring.*





## Vessel Replacement Parts for NR & NS style Nippers



#1631 shown

Rebuild Kits for Vessel NR & NS nipper bodies

Quick#	Part#	Nipper Body	Price
1638	GSN-NR5-RK	NR5, NS5	\$60.00
1631	GSN-NR10L-RK	NR10L, NS10L	\$67.31
1624	GSN-NR20-RK	NR20, NS20	\$70.83
1617	GSN-NR30-RK	NR30, NS30	\$84.41

*Includes 1ea: Main piston, main spring, piston o-ring, end cap o-ring, blade mounting screw, and blade mounting nut.*

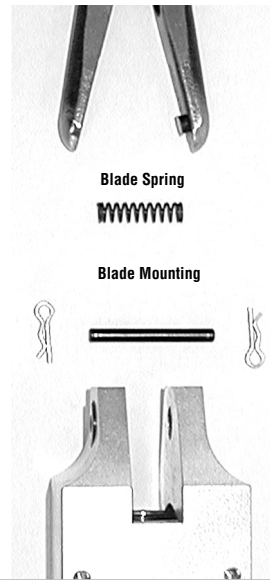


Part#	Quick#	Nipper Serviced
GSN-RA-HRS3		NS3 NR3
GSN-RA-HRS5		NS5 NR5
GSN-RA-HRS7		NS7 NR7
GSN-RA-HRS10		NS10 NR10L
GSN-RA-HRS12		NS12 NR12
GSN-RA-HRS20	5305	NS20 NR20
GSN-RA-HRS30	5348	NS30 NR30
GSN-RA-HRS50	5349	NS50 NR50



Pin & Spring Kit for NR Nippers

Part#	Quick#	Nipper Serviced
GSN-BA-HR3		GT-NR3
GSN-BA-HR5	5306	GT-NR5
GSN-BA-HR7		GT-NR7
GSN-BA-HR10L		GT-NR10L
GSN-BA-HR12		GT-NR12
GSN-BA-HR20	2578	GT-NR20
GSN-BA-HR30	2579	GT-NR30
GSN-BA-HR50	2600	GT-NR50



Pin & Spring Kit for NS Nippers

Part#	Quick#	Nipper Serviced
GSN-BA-S2		GT-NS2
GSN-BA-S3		GT-NS3
GSN-BA-S5		GT-NS5
GSN-BA-S7		GT-NS7
GSN-BA-S10		GT-NS10L
GSN-BA-S12		GT-NS12
GSN-BA-S20	5307	GT-NS20
GSN-BA-S30	5304	GT-NS30
GSN-BA-S50		GT-NS50

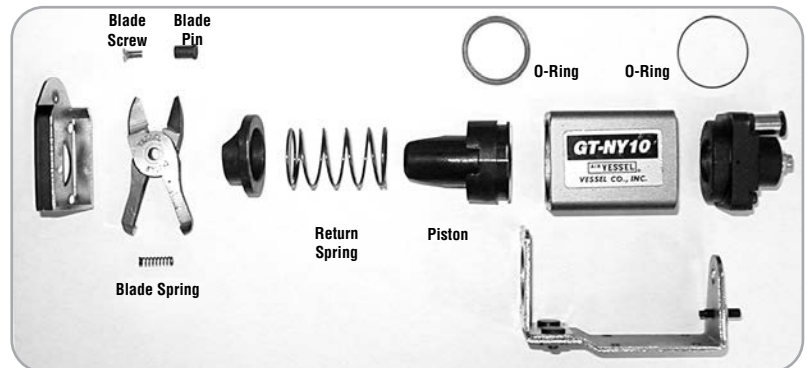
## Nipper Replacement Parts

### Replacement Springs for Vessel & Gimatic Blades

Quick#	Part#	Price	For Nipper
1281	SPR-01	\$1.90	N3, N5
1282	SPR-02	\$1.90	N7, N10
1283	SPR-03	\$1.90	N10L, N12, N20, F5
1284	SPR-04	\$2.20	N30ACD, AS, BBB
1285	SPR-05	\$2.20	N30AA, AE, AJ, AJL, AP, PF, F9
1286	GSN-SPR-06	\$14.00	N50
1287	SPR-07	\$1.90	NF10,15, NT03,05, NY10,15
1288	SPR-08	\$1.90	NT10
1289	SPR-09	\$1.90	NT20, F5E
1290	SPR-10	\$1.90	NF05, NY05
1291	SPR-11	\$1.90	NY25

### Replacement Springs for Nile Blades

Quick#	Part#	Price	For Nipper
2301	855-3090	\$2.09	Size 30 / 50 F9 Blades
2314	NILE-SP1	\$2.09	Size 1 Blades
5175	NILE-SP10	\$2.09	Size 10 Blades
5176	NILE-SP3	\$2.09	Size 3 Blades FD3, F3E
5177	NILE-SP5	\$2.09	Size 5 Blades



### Replacement Screws and Pins for NF & NY Nippers

Quick#	Part#	Price	Description
1526	GSN-NF05-BMS	\$1.36	NF/NY 05 Blade Screw
1534	GSN-NF10-BMS	\$1.36	NF/NY 10 Blade Screw
1535	GSN-NF10-BMP	\$7.71	NF/NY 10 Blade Pin
1542	GSN-NF15-BMS	\$1.36	NF/NY 15 Blade Screw
1543	GSN-NF15-BMP	\$8.62	NF/NY 15 Blade Pin
2332	GSN-NY25-BMS	\$1.84	NY 25 Blade Screw
2333	GSN-NY25-BMP	\$9.07	NY 25 Blade Pin

*Screws & Pins can also be used on red body nippers "S"*

### Rebuild Kits for Vessel NF & NY nipper bodies

Quick#	Part#	Nipper Body	Price
1525	GSN-NF05-RK	NF05 & NY05	\$45.00
1533	GSN-NF10-RK	NF10 & NY10	\$50.00
1541	GSN-NF15-RK	NF15 & NY15	\$55.00
1524	GSN-NY25-RK	NY25	\$60.00

*Includes 1ea: Main piston, main spring, U-ring, O-ring, screw, blade mounting screw, blade mounting pin*

## Nipper Blade Reconditioning Service

### Reconditioning Service for Vessel, Gimatic, Senvex, Nile, and Swanstrom Blades

#### Blade Reconditioning Service Includes:

- Thorough cleaning to remove damaging particles, even inside joint.
- Precise joint adjustment to bring cutting edges back in alignment.
- Careful honing to restore cutting edges without loss of temper.
- Adjustment of mechanical stop for proper blade pressure.
- Complete repointing for precision tips.
- New springs for reliable operation.
- Cleaning and lubrication for longer tool life.
- Polishing to inhibit corrosion.
- Demagnetizing to eliminate unwanted material pickup.

*Satisfaction is guaranteed up to the full price of the service charged for tool reconditioning.*

*We will service again or credit account accordingly. Dimensions of points and tips will be as near to new as practical. A modest sacrifice of jaw length is normal and depends on condition of the tool as received. Joints, edges and points will be as good or better than new. Unrepairable tools will be returned no charge.*

#### How it Works:

1. You issue a Purchase Order to EMI per the following pricing.

Quick#	Part#	Description	Price
9027	RE-SW-S	Reconditioning - Swanstrom Blade - Standard Steel	\$26.00
9028	RE-VN-S	Reconditioning - Vessel, Gimatic, or Nile Blade - Standard Steel	\$35.00
9029	RE-SW-C	Reconditioning - Swanstrom Blade - Carbide Steel	\$97.00
9030	RE-VN-C	Reconditioning - Vessel, Gimatic, or Nile Blade - Carbide Steel	\$97.00

2. You ship your blades to EMI, freight pre-paid; Attn: Blade Reconditioning Service.
3. We will contact you if any of your blades are unrepairable.
4. Typical turn-around time is about 6 to 8 weeks, depending on work load.
5. Upon completion, we will ship all blades back to you (including unrepairable blades). You will only be charged for reconditioned blades, plus UPS freight from Wickliffe, OH to your plant.





# Nipper Blade Reconditioning Service

