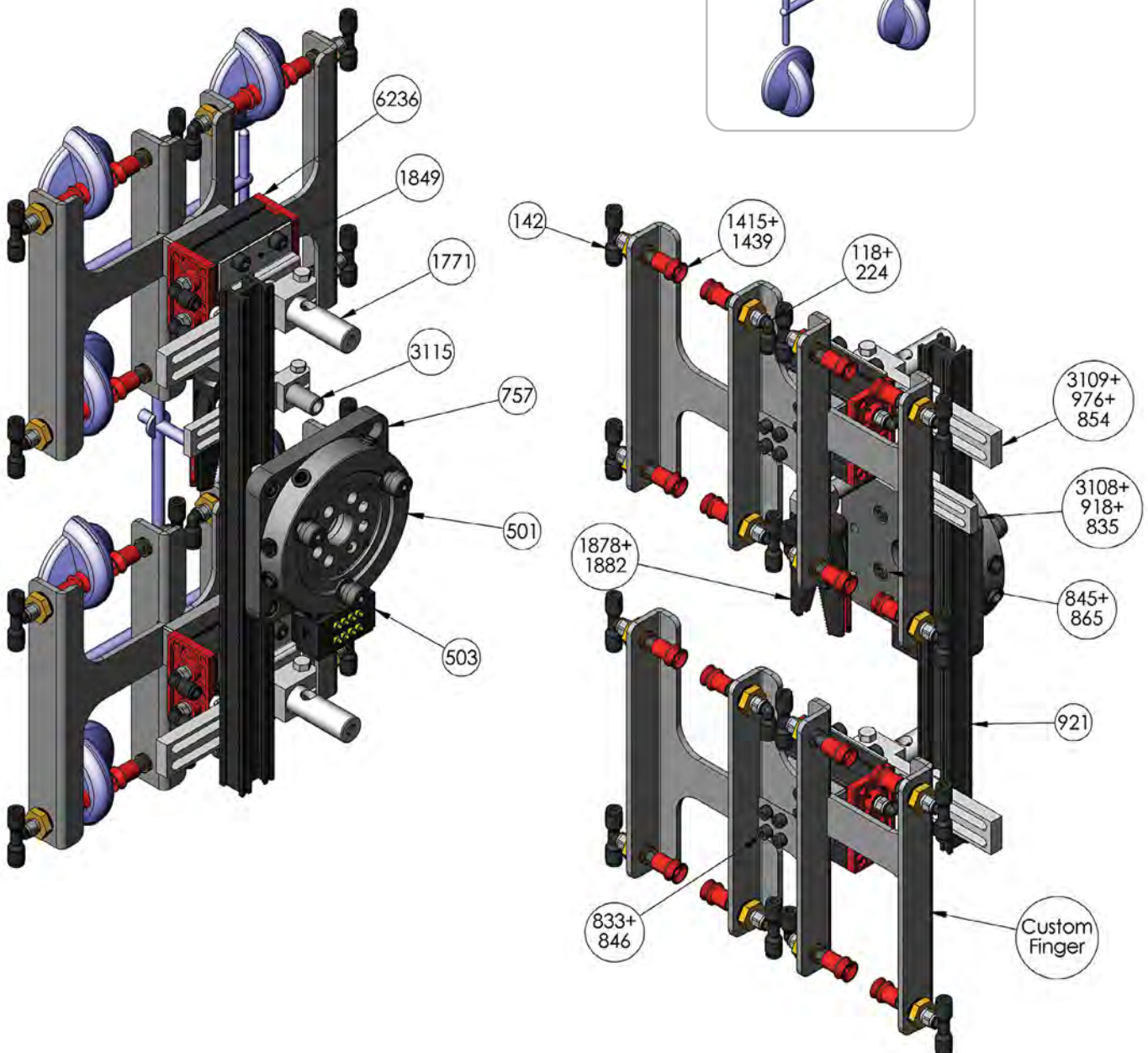
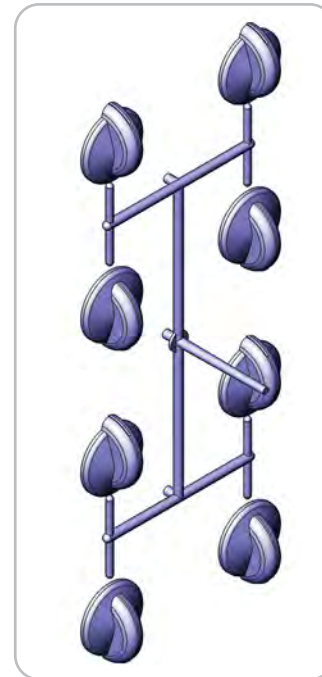


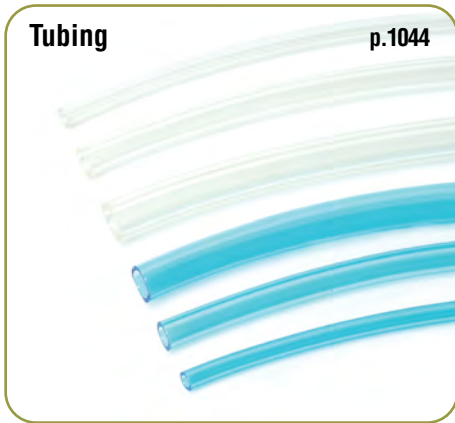
EOAT Design and Build Service

From the simplest to the most complex EOAT, EMI specializes in designing and building customized End-of-Arm-Tooling— **Priced Competitively.**

Get started by sending us a sample part or 3D part file and a completed datasheet (see page 1082). Our experienced EOAT engineers will design a tool for you and provide you 3D CAD renderings at no cost or obligation. We'll also provide pricing for the tool should you want to purchase the EOAT completely assembled.



Tubing & Fittings Overview



Soft Polyurethane Tubing

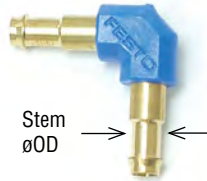
(Shown Actual Size)

Soft Polyurethane Tubing for use with Barbed Fittings



Application Guide

Use Soft Polyurethane tubing with barbed fittings. Soft PU tubing's extra elasticity provides a snug fit against the barb stem.



Application for Soft Polyurethane Tubing

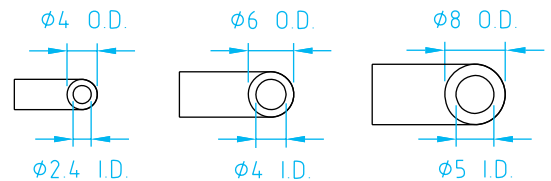
Stem øOD range	Soft PU øID	Soft PU øOD
2.5-3.0	2.4	4
3.8-4.6	4	6
5.5-6.4	5	8

Note: Using soft polyurethane tubing with push-in fittings gives unacceptable results.

Soft Polyurethane Tube for Barbed Fittings - Sold in 25' Coils

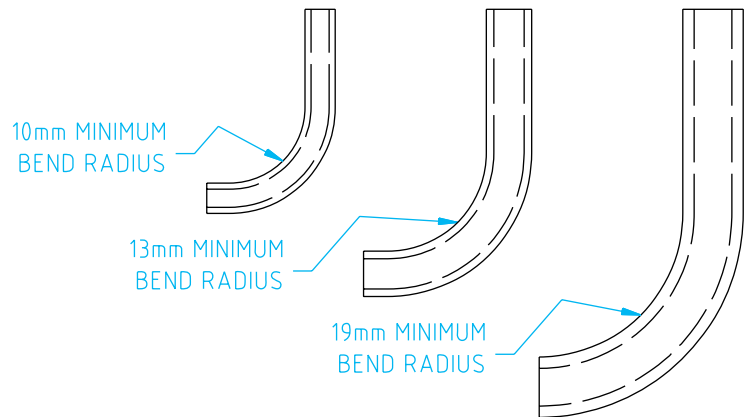
Quick#	Part#	øOD	øID	Color	Min. Radius	Price
951	GSU-SC-0424	4	2.4	Clear	10mm	\$36.00
952	GSU-SC-0604	6	4	Clear	13mm	\$42.50
953	GSU-SC-0805	8	5	Clear	19mm	\$70.00
954	GSU-SB-0424	4	2.4	Blue	10mm	\$39.25
955	GSU-SB-0604	6	4	Blue	13mm	\$42.50
956	GSU-SB-0805	8	5	Blue	19mm	\$70.00

Blue tubing is translucent with blue tint.



Suggestion

To help reduce the likelihood of misconnecting vacuum lines with compressed air lines, consider standardizing your tubing color scheme. Use clear tubing for vacuum circuits, and blue tubing for compressed air circuits.

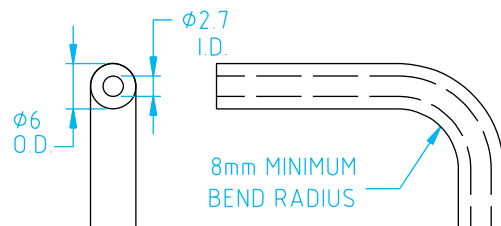


Super Flexible Silicone Tube for Barbed Fittings - Sold in 25' Coils

Quick#	Part#	øOD	øID	Color	Min. Radius	Price
950	GSU-SI-627	6	2.7	Clear	8mm	\$17.54

Note: Using super flexible silicone tubing with push-in fittings gives unacceptable results.

Note: When using the Super Flexible Tube, although the OD is 6mm, the ID is only 2.7mm and so you must choose a barbed fitting which will fit appropriately (this is the barbed fitting size used with 4mm soft tubing).



(Shown Actual Size)

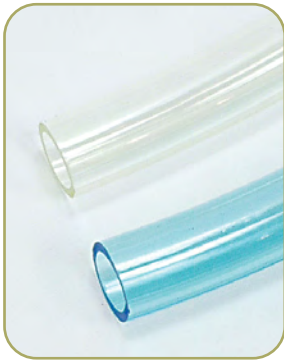
Polyurethane Tubing



Polyurethane Tubing for use with Push-In Fittings

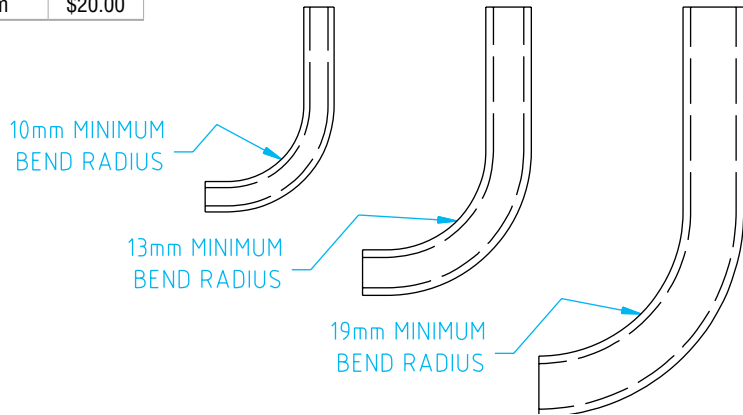
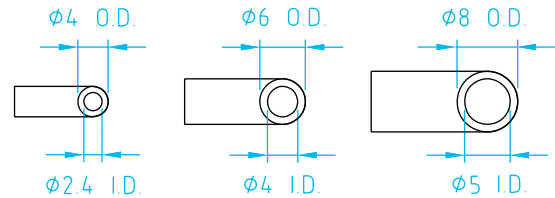
Polyurethane Tube for Push-In Fittings - Sold in 25' Coils

Quick#	Part#	øOD	øID	Color	Min. Radius	Price
957	GSU-PC-0424	4	2.4	Clear	10mm	\$6.80
958	GSU-PC-0604	6	4	Clear	13mm	\$11.50
959	GSU-PC-0806	8	5	Clear	19mm	\$20.00
960	GSU-PB-0424	4	2.4	Blue	10mm	\$6.80
961	GSU-PB-0604	6	4	Blue	13mm	\$11.50
962	GSU-PB-0806	8	5	Blue	19mm	\$20.00
966	GSU-PR-0424	4	2.4	Red	10mm	\$6.80
967	GSU-PR-0604	6	4	Red	13mm	\$11.50
968	GSU-PR-0806	8	5	Red	19mm	\$20.00



Suggestion

To help reduce the likelihood of mis-connecting vacuum lines with compressed air lines, consider standardizing your tubing color scheme. Use clear tubing for vacuum circuits. Use blue tubing for compressed-air circuits when approaching the part—such as gripper close or cylinder extend. Use red tubing for compressed-air circuits when retracting from the part—such as gripper open or cylinder retract.



Spiral Polyurethane Tubing

Quick#	Part#	Description	Price
987	GSU-PCR-0424	Ø4mm Transparent Red, 2.6m long	\$21.35
988	GSU-PCB-0424	Ø4mm Transparent Blue, 2.6m long	\$21.35
996	GSU-PCC-0604	Ø6mm Transparent Clear, 2.6m long	\$23.33
997	GSU-PCR-0604	Ø6mm Transparent Red, 2.6m long	\$23.33
998	GSU-PCB-0604	Ø6mm Transparent Blue, 2.6m long	\$23.33

- Ø4mm spiral tubing has a maximum suggested working length of 2.6m, with a retracted length of 135mm.
- Ø6mm spiral tubing has a maximum suggested working length of 2.6m, with a retracted length of 150mm.

Compatibility Guide

Polyurethane Tubing Compatibility

Application		Recommended Tubing Choice		
Fitting	Input	Hard Tubing	Soft Tubing	Super Flex Tubing
Barbed	Compressed Air	Good	No	No
		Good	No	No
Barbed	Vacuum	No	Good	Good
		Good	No	No

Polyurethane Tubing Dimensions with Barbed Fittings

Barb Stem øOD	PU Tube øOD	PU Tube øID
2.7	4	2.4
2.9	4	2.4
3.0	4	2.4
3.8	6	4
3.9	6	4
4.0	6	4
4.2	6	4
6.4	8	5

Push-In Fittings

(Shown Actual Size)

Features of Our Best Push-In Fittings

Material is glass filled Nylon.

Full-flow fittings have no internal ϕ ID restrictions, even in T's and Elbows.

ϕ D in mm matches Tubing ϕ OD.

Integrated O-ring assures long-lasting leak-free seals in vacuum and compressed-air applications.

Metric thread sizes M3, M5, and G1/8".

Body can be swiveled independently from threaded fitting for alignment purposes.

Our Best full-flow fittings have no internal ϕ ID restrictions, even in T's and Elbows.

Best

- Compact, lightweight design
- Parallel thread with soft seal O-ring for the best vacuum seal



Better

- Medium weight
- Medium size
- Soft seal O-ring for a better vacuum seal



Good

- Compact, lightweight design
- Improved tube insertion & removal
- Tapered thread and seal tape for a good vacuum seal

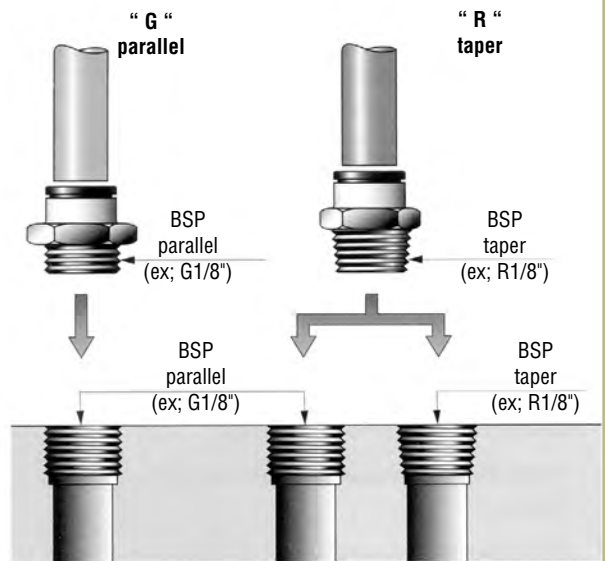


What is G1/8" thread?

G1/8" thread is a British Standard Pipe (BSP) specification. It is used throughout Europe and is frequently used in conjunction with metric M threads. It comes to North American robot end-of-arm tooling via the presence of European robot suppliers.

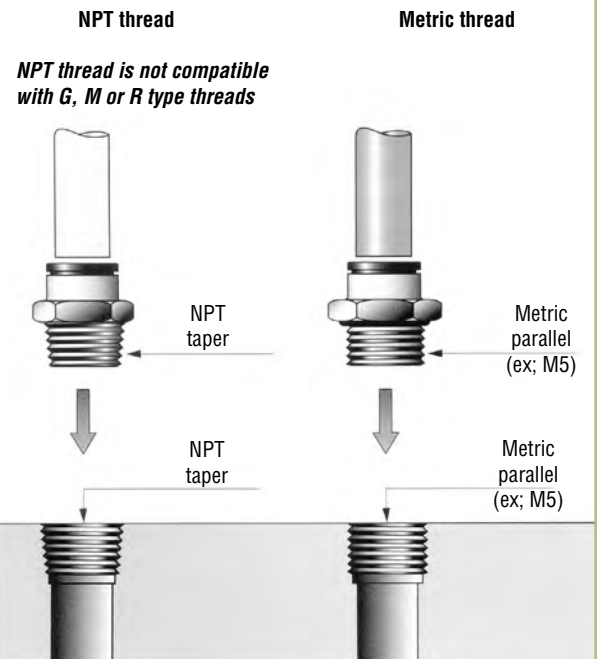
Specifically, G1/8" is a parallel thread having 28 threads per inch. Sealing is ensured by an O-ring or washer ring. (1/8" NPT is a tapered thread with 27 threads per inch.) See adaptor fittings on page 1068. G1/8" taps are available on page 1076.

BSP thread (British Standard Pipe)



Note: Older usage can be as follows: Rp = parallel, Rc = taper

Special Note: M5 fits with 10-32 UNF.



(Shown Actual Size)

Push-In Fittings

Male Threaded Push-In Fitting

	Quick#	Part#	C	øD	Price	E	F1	F2	H	K	Wt.
Best	101	GSF-QMC-M304	M3	4	\$4.77	2.5	8	-	14.5	8.5	3g
	102	GSF-QMC-M504	M5	4	\$4.16	3.5	9	2.5	14	8.5	3g
	103	GSF-QMC-G804	G1/8"	4	\$3.51	4.5	13	3	11.5	14	7g
	104	GSF-QMC-M506	M5	6	\$5.95	3.5	10	2.5	16	11	5g
	105	GSF-QMC-G806	G1/8"	6	\$3.90	4.5	13	4	13	14	7g
	106	GSF-QMC-G808	G1/8"	8	\$5.60	4.5	13	5	20.5	14	11g
	1448	GSF-QMC-G406	G1/4"	6	\$4.50	5.5	16	4	12.5	17.5	11g
	1449	GSF-QMC-G408	G1/4"	8	\$5.63	5.5	16	6	19.5	17.5	16g
	5607	GSF-QMC-G410	G1/4"	10	\$9.54	5.5	16	7	23	17.5	18g
	2001	GSF-QMC-R804	R1/8"	4	\$4.80	-	10	3	9.5	11	6g
2002	GSF-QMC-R806	R1/8"	6	\$3.58	-	11	4	11.5	11	5g	



#102

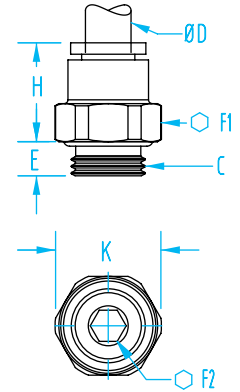


#105



#5509

Note: soft seal O-ring



	Quick#	Part#	C	øD	Price	E	F1	F2	H	K	Wt.
Better	5506	GSF-SMC-M504	M5	4	\$1.15	3	8	-	14.7	9	3.3g
	5507	GSF-SMC-G804	G1/8"	4	\$1.07	5.5	12	-	11.6	13	7.7g
	5508	GSF-SMC-M506	M5	6	\$2.31	3	10	-	14.7	11	4.1g
	5509	GSF-SMC-G806	G1/8"	6	\$1.84	5.5	12	-	11.8	13	6.6g
	5510	GSF-SMC-G406	G1/4"	6	\$2.04	6.5	17	-	8.9	18.2	14.8g
	5511	GSF-SMC-G808	G1/8"	8	\$1.37	5.5	14	-	15.9	16	7.5g
	5512	GSF-SMC-G408	G1/4"	8	\$1.65	6.5	17	-	13.4	18.2	15.5g
	5513	GSF-SMC-G810	G1/8"	10	\$2.44	5.5	17	-	17.7	18.2	15.7g
	5514	GSF-SMC-G410	G1/4"	10	\$1.86	6.5	17	-	16.3	18.2	16.8g

	Quick#	Part#	C	øD	Price	E	F1	F2	H	K	Wt.
Good	5568	GSF-RMC-R804	R1/8"	4	\$1.16	6.5	10	-	7.3	11.5	5.6g
	5569	GSF-RMC-R806	R1/8"	6	\$1.56	6.5	10	-	11.9	11.5	5.8g
	5570	GSF-RMC-R406	R1/4"	6	\$1.56	10	14	-	6.7	16	12.5g
	5571	GSF-RMC-R808	R1/8"	8	\$1.56	6.5	14	-	16	16	11.9g
	5572	GSF-RMC-R408	R1/4"	8	\$1.55	10	14	-	12	16	13.9g
	5573	GSF-RMC-R810	R1/8"	10	\$2.73	6.5	17	-	17.3	19.5	16.9g
	5574	GSF-RMC-R410	R1/4"	10	\$2.53	10	17	-	17.3	19.5	22.1g



#5569

Use Quick#s for easy online ordering.

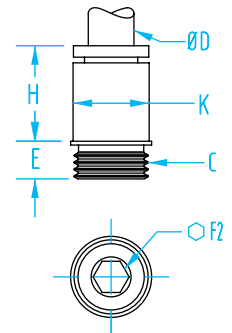
Male Threaded Socket Head Push-In Fitting

	Quick#	Part#	C	øD	Price	E	F1	F2	H	K	Wt.
Better	5501	GSF-SMS-M504	M5	4	\$1.74	3	-	2	14.6	8	3g
	5502	GSF-SMS-M506	M5	6	\$1.83	4	-	3	16.6	10	4.1g
	5503	GSF-SMS-G806	G1/8"	6	\$2.21	5.5	-	4	14.3	13	9.7g
	5504	GSF-SMS-G808	G1/8"	8	\$2.36	5.5	-	5	16.2	13	9.5g
	5505	GSF-SMS-G410	G1/4"	10	\$3.29	6.5	-	8	17.6	18	19.2g



#5503

Note: soft seal O-ring



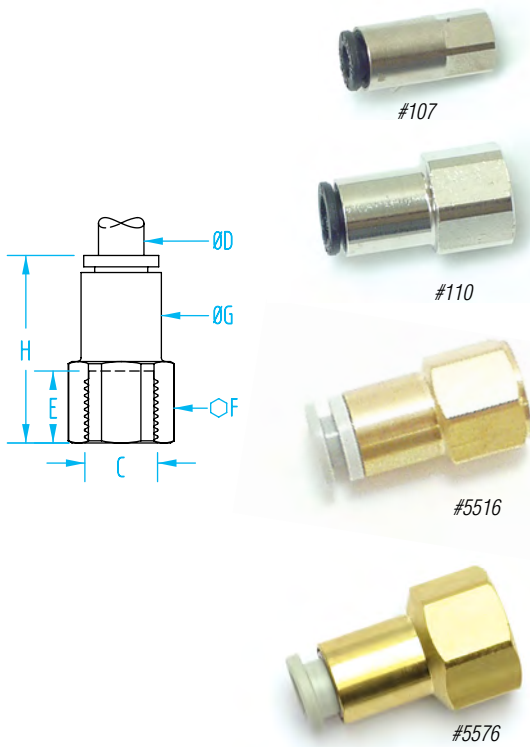
	Quick#	Part#	C	øD	Price	E	F1	F2	H	K	Wt.
Good	5561	GSF-RMS-R804	R1/8"	4	\$1.74	7.3	-	3	13.3	10	8.1g
	5562	GSF-RMS-R806	R1/8"	6	\$1.85	7	-	4	13.3	10	6.5g
	5563	GSF-RMS-R406	R1/4"	6	\$1.91	6.5	-	4	13.3	14	13.4g
	5564	GSF-RMS-R808	R1/8"	8	\$2.10	8.7	-	5	14.2	13	10.2g
	5565	GSF-RMS-R408	R1/4"	8	\$2.03	9	-	6	14.2	14	14.3g
	5566	GSF-RMS-R810	R1/8"	10	\$2.69	8.7	-	5	15.6	15	12g
	5567	GSF-RMS-R410	R1/4"	10	\$2.66	9	-	8	15.6	15	12.4g



#5562

Push-In Fittings

(Shown Actual Size)

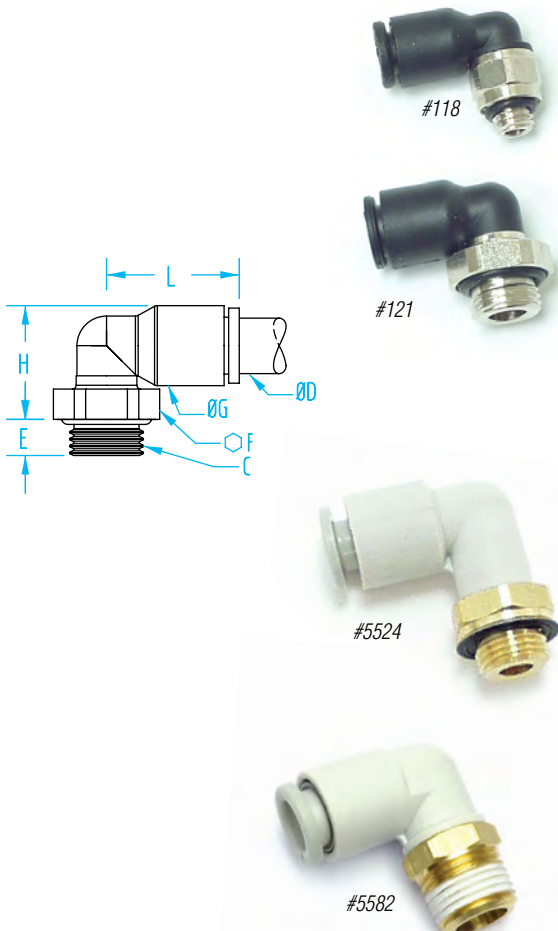


Female Threaded Push-In Fitting

Best	Quick#	Part#	C	øD	Price	E	F	G	H	Wt.
	107	GSF-QFC-M504	M5	4	\$9.66	6.5	8	8.7	19.5	5g
	108	GSF-QFC-M506	M5	6	\$3.23	3.5	8	9.9	14	3g
	109	GSF-QFC-G804	G1/8"	4	\$8.66	9.5	13	8.6	22.5	10g
	110	GSF-QFC-G806	G1/8"	6	\$8.15	9.5	13	10.6	24.5	11g
	111	GSF-QFC-G808	G1/8"	8	\$10.41	9.5	13	13.5	29	20g
	1450	GSF-QFC-G406	G1/4"	6	\$8.80	13.5	16	10.6	28.5	16g
	1451	GSF-QFC-G408	G1/4"	8	\$10.41	13.5	16	13.5	33	27g

Better	Quick#	Part#	C	øD	Price	E	F	G	H	Wt.
	5515	GSF-SFC-G804	G1/8"	4	\$2.76	7.5	14	7.9	24.7	12.4g
	5516	GSF-SFC-G806	G1/8"	6	\$2.76	7.5	14	9.9	24.3	12.6g
	5517	GSF-SFC-G406	G1/4"	6	\$3.16	12	17	9.9	29.6	21.4g
	5518	GSF-SFC-G808	G1/8"	8	\$2.84	7.5	14	12.4	24.7	15.1g
	5519	GSF-SFC-G408	G1/4"	8	\$3.23	12	17	12.4	30.1	24g
	5520	GSF-SFC-G410	G1/4"	10	\$3.38	12	17	14.8	31.1	24.1g

Good	Quick#	Part#	C	øD	Price	E	F	G	H	Wt.
	5575	GSF-RFC-R804	R1/8"	4	\$2.76	8.5	14	7.9	24.1	12g
	5576	GSF-RFC-R806	R1/8"	6	\$2.76	8.5	14	9.9	23.6	12.2g
	5577	GSF-RFC-R406	R1/4"	6	\$3.16	12	17	9.9	28.5	21.6g
	5578	GSF-RFC-R808	R1/8"	8	\$2.84	8.5	14	12.4	24.1	12.9g
	5579	GSF-RFC-R408	R1/4"	8	\$3.23	12	17	12.4	29	22.1g
	5580	GSF-RFC-R410	R1/4"	10	\$3.37	12	17	14.8	30	24.2g



Male Threaded Push-In Elbow Fitting

Best	Quick#	Part#	C	øD	Price	E	F	G	H	L	Wt.
	117	GSF-QME-M304	M3	4	\$6.18	2.5	8	8.5	15	14.5	3g
	118	GSF-QME-M504	M5	4	\$4.19	3.5	8	8.5	13.5	14	3g
	119	GSF-QME-G804	G1/8"	4	\$4.47	5	13	8.5	13	14	7g
	120	GSF-QME-M506	M5	6	\$4.47	3.5	8	10.5	15.5	16	3g
	121	GSF-QME-G806	G1/8"	6	\$4.74	5	13	10.5	15	16	8g
	122	GSF-QME-G808	G1/8"	8	\$9.82	4.5	13	13.5	20.5	23	14g
	1452	GSF-QME-G406	G1/4"	6	\$6.41	5.5	16	10.5	15	16	13g
	1453	GSF-QME-G408	G1/4"	8	\$6.99	5.5	16	13.5	18.5	23	17g
	5608	GSF-QME-G410	G1/4"	10	\$17.18	5.5	16	16	23.5	26.5	30g
	2004	GSF-QME-R804	R1/8"	4	\$5.67	-	10	8.5	13.5	14	6g
	2005	GSF-QME-R806	R1/8"	6	\$4.22	-	10	10.5	15.5	16	6g

Better	Quick#	Part#	C	øD	Price	E	F	G	H	L	Wt.
	5521	GSF-SME-M504	M5	4	\$1.94	3.5	7	8.2	15.9	15.4	3.1g
	5522	GSF-SME-G804	G1/8"	4	\$1.45	5.5	12	8.2	15.4	14.8	6.3g
	5523	GSF-SME-M506	M5	6	\$2.36	3.5	7	10.4	18.7	14.5	3.2g
	5524	GSF-SME-G806	G1/8"	6	\$1.55	5.5	12	10.4	17.6	15.5	6.7g
	5525	GSF-SME-G406	G1/4"	6	\$1.74	6.5	17	10.4	20.1	15.5	17.2g
	5526	GSF-SME-G808	G1/8"	8	\$2.32	5.5	12	13.2	20.4	16.4	7.6g
	5527	GSF-SME-G408	G1/4"	8	\$2.46	6.5	17	13.2	22.9	17.2	15.9g
	5528	GSF-SME-G810	G1/8"	10	\$3.06	5.5	12	15.9	24.9	18.6	10.3g
	5529	GSF-SME-G410	G1/4"	10	\$2.63	6.5	17	15.9	26	19.3	17.5g

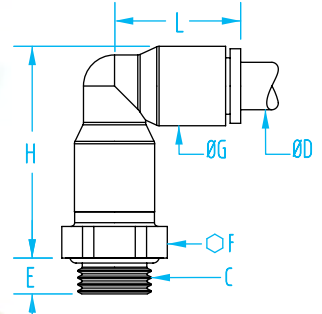
Good	Quick#	Part#	C	øD	Price	E	F	G	H	L	Wt.
	5581	GSF-RME-R804	R1/8"	4	\$1.65	6.5	10	8.2	20.3	14.8	4.8g
	5582	GSF-RME-R806	R1/8"	6	\$1.83	6.5	10	10.4	22.5	15.5	5.2g
	5583	GSF-RME-R406	R1/4"	6	\$2.02	10	14	10.4	28	15.5	14.7g
	5584	GSF-RME-R808	R1/8"	8	\$2.60	6.5	10	13.2	25.3	16.4	6.1g
	5585	GSF-RME-R408	R1/4"	8	\$2.74	10	14	13.2	32	17.2	17.7g
	5586	GSF-RME-R810	R1/8"	10	\$3.35	6.5	12	15.9	31.6	18.6	11.1g
	5587	GSF-RME-R410	R1/4"	10	\$2.91	10	17	15.9	36.7	19.3	21.7g

Push-In Fittings

(Shown Actual Size)

Male Threaded Push-In Extended Elbow Fitting

Best	Quick#	Part#	C	øD	Price	E	F	G	H	L	Wt.
	123	GSF-QMX-M504	M5	4	\$5.29	3.5	8	8.5	23	19	7g
	124	GSF-QMX-G804	G1/8"	4	\$6.17	5	13	8.5	22.5	19	9g
	125	GSF-QMX-M506	M5	6	\$6.85	3.5	10	10.5	27.5	23	9g
	126	GSF-QMX-G806	G1/8"	6	\$5.55	5	13	10.5	27	23	12g
	127	GSF-QMX-G808	G1/8"	8	\$8.16	5	13	13.5	36	29.5	25g

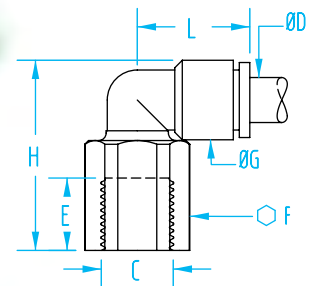


Better	Quick#	Part#	C	øD	Price	E	F	G	H	L	Wt.
	5530	GSF-SMX-M504	M5	4	\$3.56	3	7	8.2	29.8	15.4	5.8g
	5531	GSF-SMX-G804	G1/8"	4	\$3.62	5.5	12	8.2	34.6	14.8	16.5g
	5532	GSF-SMX-M506	M5	6	\$3.67	3	7	10.4	32.6	14.5	5.9g
	5533	GSF-SMX-G806	G1/8"	6	\$2.74	5.5	12	10.4	36.8	15.5	17g
	5534	GSF-SMX-G406	G1/4"	6	\$3.00	6.5	17	10.4	37.5	15.5	36.2g
	5535	GSF-SMX-G808	G1/8"	8	\$3.76	5.5	12	13.2	39.6	16.4	17.8g
	5536	GSF-SMX-G408	G1/4"	8	\$3.48	6.5	17	13.2	43.1	17.2	37.5g
	5537	GSF-SMX-G410	G1/4"	10	\$5.26	6.5	17	15.9	56.8	19.3	45.1g

Good	Quick#	Part#	C	øD	Price	E	F	G	H	L	Wt.
	5588	GSF-RMX-R804	R1/8"	4	\$3.90	6.5	10	8.2	34	14.8	11g
	5589	GSF-RMX-R806	R1/8"	6	\$3.94	6.5	10	10.4	36.2	15.5	11.4g
	5590	GSF-RMX-R406	R1/4"	6	\$4.05	10	14	10.4	39.6	15.5	28g
	5591	GSF-RMX-R808	R1/8"	8	\$4.05	6.5	10	13.2	39	16.4	12.2g
	5592	GSF-RMX-R408	R1/4"	8	\$4.27	10	14	13.2	45.7	17.2	40g
5593	GSF-RMX-R410	R1/4"	10	\$5.55	10	17	15.9	60.9	19.3	59g	

Female Threaded Push-In Elbow Fitting

Best	Quick#	Part#	C	øD	Price	E	F	G	H	L	Wt.
	133	GSF-QFE-M504	M5	4	\$3.80	11.5	9	8	19.5	15.5	5g
	134	GSF-QFE-M506	M5	6	\$3.80	11.5	9	10.5	22	14.5	5g
	135	GSF-QFE-G804	G1/8"	4	\$5.82	8.5	13	8.5	23	14	9g
	136	GSF-QFE-G806	G1/8"	6	\$4.14	8.5	13	10.5	25	16	11g
	137	GSF-QFE-G808	G1/8"	8	\$4.89	8.5	13	13.5	28	23	14g
	1454	GSF-QFE-G406	G1/4"	6	\$6.33	11.5	16	10.5	29	16	11g
	1455	GSF-QFE-G408	G1/4"	8	\$5.86	11.5	16	13.5	32	23	17g



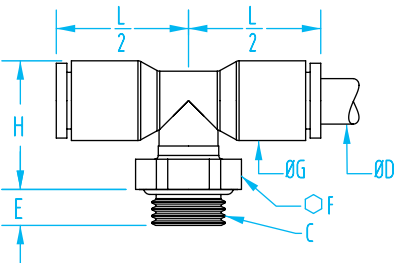
Good	Quick#	Part#	C	øD	Price	E	F	G	H	L	Wt.
	5538	GSF-SFE-M504	M5	4	\$2.70	4.5	8	8.2	19.4	15.4	4.7g
	5539	GSF-SFE-M506	M5	6	\$2.70	4.5	8	10.4	22.2	14.5	4.8g
	5594	GSF-RFE-R804	R1/8"	4	\$4.00	6.5	14	8.2	26.5	14.8	17.6g
	5595	GSF-RFE-R806	R1/8"	6	\$2.31	6.5	14	10.4	28.7	15.5	18g
	5596	GSF-RFE-R406	R1/4"	6	\$2.54	9.5	17	10.4	33.2	15.5	30.1g
	5597	GSF-RFE-R808	R1/8"	8	\$2.51	6.5	14	13.2	31.5	16.4	18.8g
	5598	GSF-RFE-R408	R1/4"	8	\$2.92	9.5	17	13.2	35.4	17.2	28.7g
	5599	GSF-RFE-R410	R1/4"	10	\$3.74	9.5	17	15.9	35.4	19.3	26.4g



#5595

Push-In Fittings

(Shown Actual Size)



#5543



#5601

Male Threaded Push-In T Fitting

Best	Quick#	Part#	C	øD	Price	E	F	G	H	L	Wt.
	141	GSF-QBT-M304	M3	4	\$6.27	2.5	8	8.5	15	29	3g
	142	GSF-QBT-M504	M5	4	\$8.34	3.5	8	8.5	17.5	28	4g
	143	GSF-QBT-G804	G1/8"	4	\$6.11	5	13	8.5	15	28	8g
	144	GSF-QBT-M506	M5	6	\$7.98	3.5	8	10.5	19.5	32	6g
	145	GSF-QBT-G806	G1/8"	6	\$6.67	5	13	10.5	17	32	8g
	146	GSF-QBT-G808	G1/8"	8	\$11.15	4.5	13	13.5	23.5	46	17g
	1456	GSF-QBT-G406	G1/4"	6	\$7.93	5.5	16	10.5	17	32	15g
	1457	GSF-QBT-G408	G1/4"	8	\$11.61	5.5	16	13.5	21.5	46	20g
	5609	GSF-QBT-G410	G1/4"	10	\$21.00	5.5	16	16	26	53	21g
2013	GSF-QBT-R804	R1/8"	4	\$7.81	-	10	8.5	15.5	28	7g	
2014	GSF-QBT-R806	R1/8"	6	\$8.63	-	10	10.5	17.5	32	9g	

Better	Quick#	Part#	C	øD	Price	E	F	G	H	L	Wt.
	5540	GSF-SBT-M504	M5	4	\$2.95	3	7	8.2	15.9	30.8	3.9g
	5541	GSF-SBT-G804	G1/8"	4	\$2.28	5.5	12	8.2	15.4	29.6	7g
	5542	GSF-SBT-M506	M5	6	\$2.82	3	7	10.4	18.7	29	4.4g
	5543	GSF-SBT-G806	G1/8"	6	\$2.54	5.5	12	10.4	17.6	31	7.6g
	5544	GSF-SBT-G406	G1/4"	6	\$2.54	6.5	17	10.4	20.1	31	18.1g
	5545	GSF-SBT-G808	G1/8"	8	\$3.21	5.5	12	13.2	20.4	32.8	9.4g
	5546	GSF-SBT-G408	G1/4"	8	\$3.57	6.5	17	13.2	22.9	34.4	17.6g
	5547	GSF-SBT-G810	G1/8"	10	\$4.31	5.5	12	15.9	24.9	37.2	13.1g
	5548	GSF-SBT-G410	G1/4"	10	\$3.99	6.5	17	15.9	26	53	20.1g

Good	Quick#	Part#	C	øD	Price	E	F	G	H	L	Wt.
	5600	GSF-RBT-R804	R1/8"	4	\$2.56	6	10	8.2	14.3	29.6	5.5g
	5601	GSF-RBT-R806	R1/8"	6	\$2.82	6	10	10.4	16.5	31	6.1g
	5602	GSF-RBT-R406	R1/4"	6	\$2.82	10	14	10.4	18	31	15.6g
	5603	GSF-RBT-R808	R1/8"	8	\$3.49	6	10	13.2	19.3	32.8	7.9g
	5604	GSF-RBT-R408	R1/4"	8	\$3.84	10	14	13.2	22	34.4	19.4g
	5605	GSF-RBT-R810	R1/8"	10	\$4.60	6	12	15.9	25.5	37.2	13.9g
	5606	GSF-RBT-R410	R1/4"	10	\$4.27	10	17	15.9	26.5	38.6	24.3g

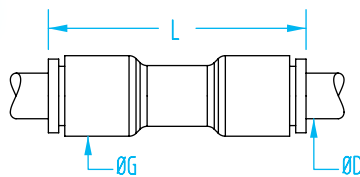
Use Quick#s for easy online ordering.



#113



#5550



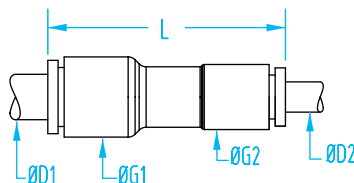
Straight Push-In Union

Quick#	Part#	øD	Price	G	L	Wt.
112	GSF-QSU-04	4	\$2.81	8.5	25	2g
113	GSF-QSU-06	6	\$3.43	10.5	28.5	4g
114	GSF-QSU-08	8	\$4.02	13.5	38	7g
5611	GSF-QSU-10	10	\$8.85	16	42	9g

Quick#	Part#	øD	Price	G	L	Wt.
5549	GSF-SSU-04	4	\$1.84	11	32.5	3g
5550	GSF-SSU-06	6	\$1.85	13	35	4g
5551	GSF-SSU-08	8	\$2.23	15.5	39	6g
5552	GSF-SSU-10	10	\$2.91	19	43	11g



#115



Reducer Push-In Union

Quick#	Part#	øD1	øD2	Price	G1	G2	L	Wt.
115	GSF-QRU-0604	6	4	\$6.36	11	8.5	28	8g
116	GSF-QRU-0806	8	6	\$6.52	13.5	13.5	38	12g
5469	GSF-QRU-1008	10	8	\$8.51	16	16	42	20g

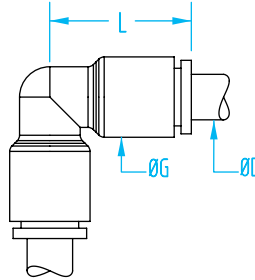
(Shown Actual Size)

Push-In Fittings

Elbow Push-In Union

Quick#	Part#	øD	Price	G	L	Wt.
138	GSF-QEU-04	4	\$4.50	8.5	19	2g
139	GSF-QEU-06	6	\$3.71	10.5	22.5	4g
140	GSF-QEU-08	8	\$5.82	13.5	29.5	7g
5610	GSF-QEU-10	10	\$11.76	16	34.5	15g

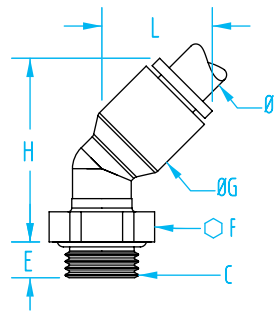
Quick#	Part#	øD	Price	G	L	Wt.
5553	GSF-SEU-04	4	\$1.95	10.5	18	6g
5554	GSF-SEU-06	6	\$2.13	13	20	6g
5555	GSF-SEU-08	8	\$2.53	15.5	23	10g
5556	GSF-SEU-10	10	\$3.82	19	36.5	17g



#5553

Male Threaded Push-In 45° Elbow Fitting

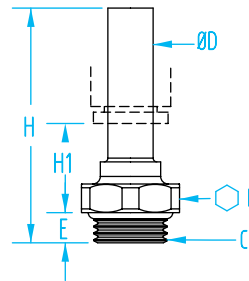
Quick#	Part#	C	øD	Price	E	F	G	H	L	Wt.
128	GSF-QMA-M504	M5	4	\$3.89	3.5	8	9	23	13	5g
129	GSF-QMA-G804	G1/8"	4	\$5.28	4.5	13	9	25	13	8g
130	GSF-QMA-M506	M5	6	\$4.21	3.5	8	11	30	14.5	5g
131	GSF-QMA-G806	G1/8"	6	\$4.62	4.5	13	11	28.5	14.5	8g
132	GSF-QMA-G808	G1/8"	8	\$7.00	4.5	13	13.5	36	19.5	16g



#131

Male Threaded Push-In Standpipe Fitting

Quick#	Part#	C	øD	Price	E	F	H	H1	Wt.
184	GSF-QSC-M504	M5	4	\$10.41	3.5	8	31	16	2g
185	GSF-QSC-G804	G1/8"	4	\$14.17	5	13	30	13.5	6g
186	GSF-QSC-G806	G1/8"	6	\$12.63	5	13	32	13.5	6g
187	GSF-QSC-G808	G1/8"	8	\$12.10	5	13	35.5	12.5	6g
1458	GSF-QSC-G406	G1/4"	6	\$14.13	5.5	16	33	13.5	11g
1459	GSF-QSC-G408	G1/4"	8	\$15.32	5.5	16	34.5	10.5	12g



#186

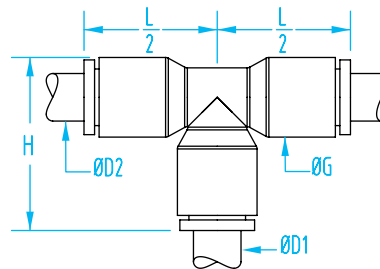
Push-In T

Quick#	Part#	øD1	øD2	Price	G	H	L	Wt.
147	GSF-QTU-04	4	4	\$4.12	8.5	19	29	4g
148	GSF-QTU-06	6	6	\$4.99	10.5	22.5	25	6g
149	GSF-QTU-08	8	8	\$5.93	13.5	29.5	46	9g
5613	GSF-QTU-10	10	10	\$19.34	16	34.5	53	14g

Reducer Push-In T

150	GSF-QTU-0604	6	4	\$5.21	10.5	22.5	35	6g
151	GSF-QTU-0406	4	6	\$4.98	10.5	22.5	35	6g
152	GSF-QTU-0806	8	6	\$9.68	13.5	29.5	46	9g
153	GSF-QTU-0608	6	8	\$6.58	13.5	29.5	46	9g
5612	GSF-QTU-1008	10	8	\$18.28	16	34.5	53	19g

Quick#	Part#	øD	Price	G	H	L	Wt.
5557	GSF-STU-04	4	\$2.30	10.5	27	36	7g
5558	GSF-STU-06	6	\$2.80	13	29.5	42	10g
5559	GSF-STU-08	8	\$3.32	15.5	33	47	15g
5560	GSF-STU-10	10	\$4.18	19	37.5	53	25g

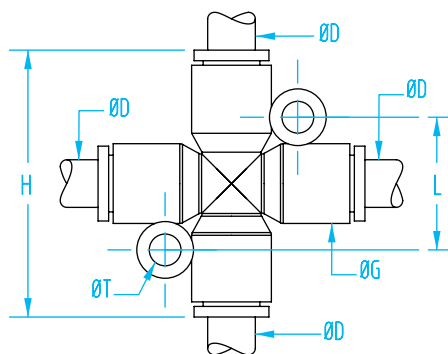


#148



#5558

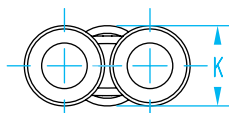
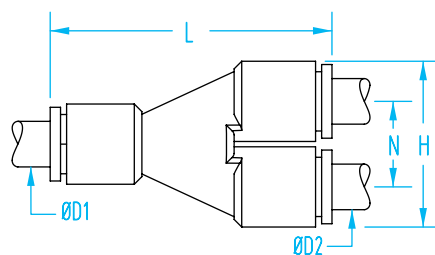
Push-In Fittings



(Shown Actual Size)

Push-In X

Quick#	Part#	ØD	Price	G	H	L	T	Wt.
159	GSF-QXU-04	4	\$11.19	11	36	20	4.2	10g
160	GSF-QXU-06	6	\$7.80	11	36	20	4.2	10g
161	GSF-QXU-08	8	\$9.63	13.5	46	22.5	4.2	20g



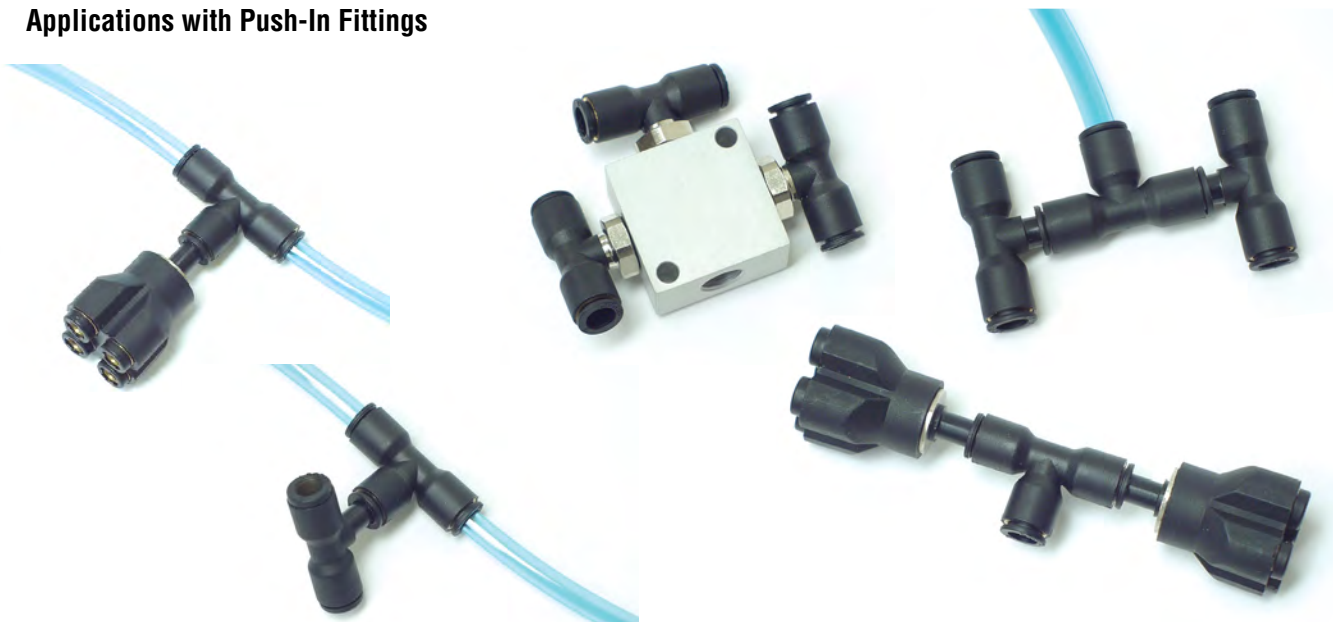
Push-In Y

Quick#	Part#	ØD1	ØD2	Price	H	K	L	N	Wt.
154	GSF-QYU-04	4	4	\$4.14	17.5	8.5	28.5	9	4g
155	GSF-QYU-06	6	6	\$4.91	21.5	10.5	35	11	7g
156	GSF-QYU-08	8	8	\$5.75	28	13.5	45	14.5	13g

Reducer Push-In Y

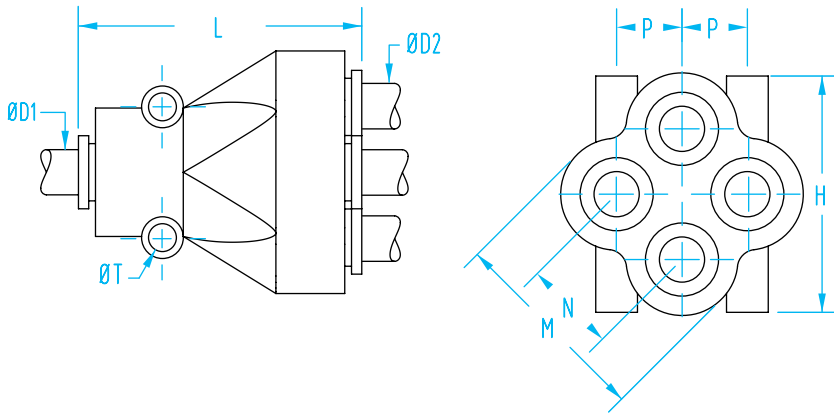
157	GSF-QYU-0604	6	4	\$4.62	17.5	10.5	34.5	9	3g
158	GSF-QYU-0806	8	6	\$6.59	21.5	13.5	41	11	5g

Applications with Push-In Fittings



Push-In Fittings

(Shown Actual Size)

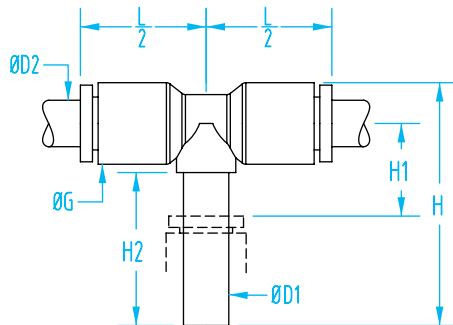
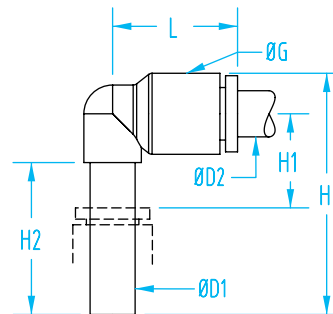


Push-In Double Y

Quick#	Part#	ØD1	ØD2	Price	H	L	M	N	P	T	Wt.
162	GSF-QDY-04	4	4	\$14.98	25.5	30.5	21	10	8.5	3.7	27g
163	GSF-QDY-06	6	6	\$12.37	31.5	37.5	26.5	12	10	3.7	43g
Reducer Push-In Double Y											
164	GSF-QDY-0604	6	4	\$13.84	25.5	30.5	21	10	8.5	3.7	27g
165	GSF-QDY-0806	8	6	\$11.70	31.5	38	36.5	12	10	3.7	45g

Plug-In Elbow

Quick#	Part#	ØD1	ØD2	Price	G	H	H1	H2	L	Wt.
166	GSF-QPE-04	4	4	\$2.27	8.5	23	6	15.5	14	3g
167	GSF-QPE-06	6	6	\$1.86	10.5	26.5	7	17	16	3g
168	GSF-QPE-08	8	8	\$2.69	13.5	33.5	8	21.5	23	4g
Reducer Plug-In Elbow										
169	GSF-QPE-0604	6	4	\$3.77	10.5	26.5	7	17	16	3g
170	GSF-QPE-0406	4	6	\$2.82	10.5	24.5	7	15.5	16	3g
171	GSF-QPE-0806	8	6	\$4.51	13.5	33.5	8	21.5	22	4g



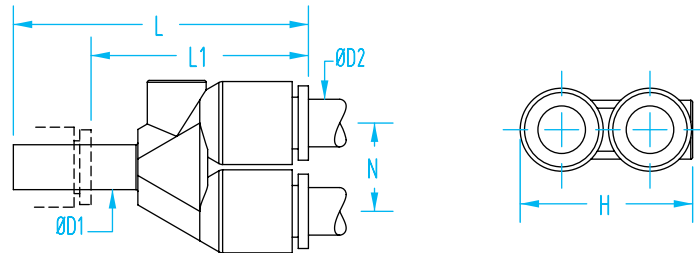
Plug-In T

Quick#	Part#	ØD1	ØD2	Price	G	H	H1	H2	L	Wt.
172	GSF-QPT-04	4	4	\$4.78	8.5	23	6	15.5	14.5	5g
173	GSF-QPT-06	6	6	\$4.53	10.5	26.5	7	17	16	6g
174	GSF-QPT-08	8	8	\$5.35	13.5	33.5	8	21.5	23	8g
Reducer Plug-In T										
175	GSF-QPT-0604	6	4	\$5.59	10.5	26.5	7	17	16	6g
176	GSF-QPT-0806	8	6	\$6.33	13.5	33.5	8	21.5	23	7g



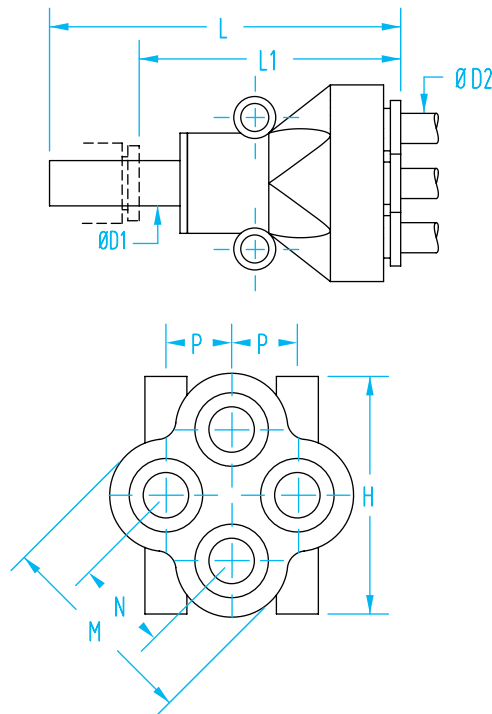
Push-In Fittings

(Shown Actual Size)



Plug-In Y

Quick#	Part#	ØD1	ØD2	Price	H	L	L1	N	Wt.
177	GSF-QPY-04	4	4	\$6.24	17.5	34	21.5	9	5g
178	GSF-QPY-06	6	6	\$3.70	21.5	39.5	25.5	11	8g
179	GSF-QPY-08	8	8	\$7.60	28	50.5	32	14.5	14g
Reducer Plug-In Y									
180	GSF-QPY-0604	6	4	\$6.73	17.5	35.5	21.5	9	5g
181	GSF-QPY-0806	8	6	\$8.38	21.5	44	25.5	11	8g

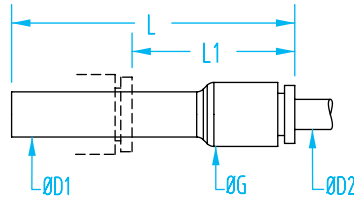


Double Plug-In Y

Quick#	Part#	ØD1	ØD2	Price	H	L	L1	M	N	P	Wt.
182	GSF-QDPY-0604	6	4	\$14.88	25.5	45	31	21	10	8.5	27g
183	GSF-QDPY-0806	8	6	\$23.60	31.5	59.5	41	26.5	12	10	40g

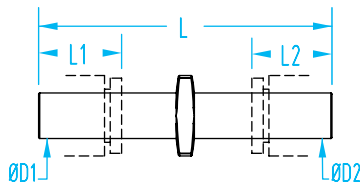
(Shown Actual Size)

Push-In Fittings



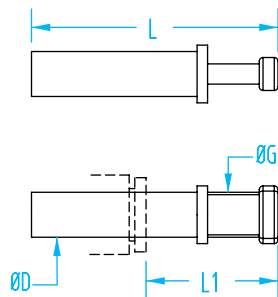
Plug-In Reducer

Quick#	Part#	ØD1	ØD2	Price	G	L	L1	Wt.
188	GSF-QPR-0604	6	4	\$2.72	8.5	37.5	23.5	4g
189	GSF-QPR-0806	8	6	\$2.88	10.5	37.5	20	4g
190	GSF-QPI-0406	4	6	\$3.96	10.5	35	23	3g
191	GSF-QPI-0608	6	8	\$3.74	13.5	45	31.5	5g



Plug-In Nipple

Quick#	Part#	ØD1	ØD2	Price	L	L1	L2	Wt.
195	GSF-QN-04	4	4	\$1.94	34.5	12	12	1g
196	GSF-QN-06	6	6	\$2.16	38.5	14	14	1g
197	GSF-QN-08	8	8	\$2.63	41	18.5	18.5	2g
Reducer Plug-In Nipple								
198	GSF-QRN-0604	6	4	\$2.10	38	13	13	2g
199	GSF-QRN-0806	8	6	\$2.18	42	14	13	2g
5467	GSF-QPR-1008	10	8	\$2.33	47	21	18.5	13.2g



Plug

Quick#	Part#	ØD	Price	G	L	L1	Wt.
192	GSF-QP-04	4	\$0.48	4	30	15.5	1g
193	GSF-QP-06	6	\$1.20	8	33	16.5	1g
194	GSF-QP-08	8	\$1.39	10	33	17.5	2g
5468	GSF-QP-10	10	\$3.85	12	42	21	3g

Use Quick#s for easy online ordering.

Gimatic Side Manifold Blocks

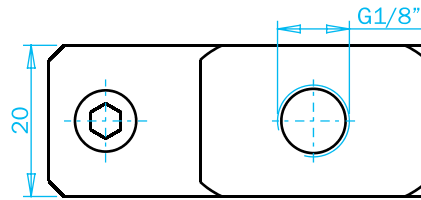
(Dimensioned drawings shown full scale)



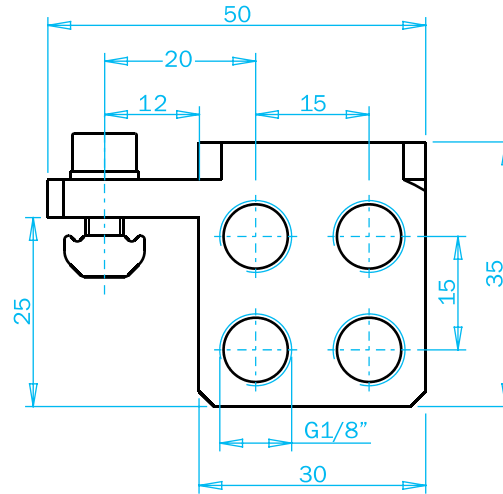
#5769
G1/8" (x9)

COMMON
9 common ports

#5769



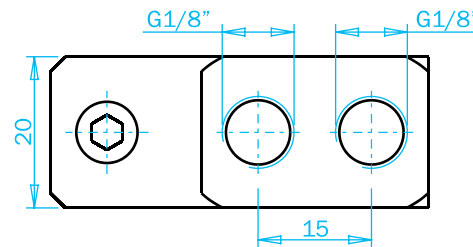
#5769 & #5770



#5770
G1/8" (x10)

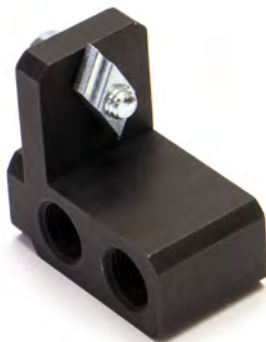
DIVIDED
5 inlet ports, 5 outlet ports

#5770



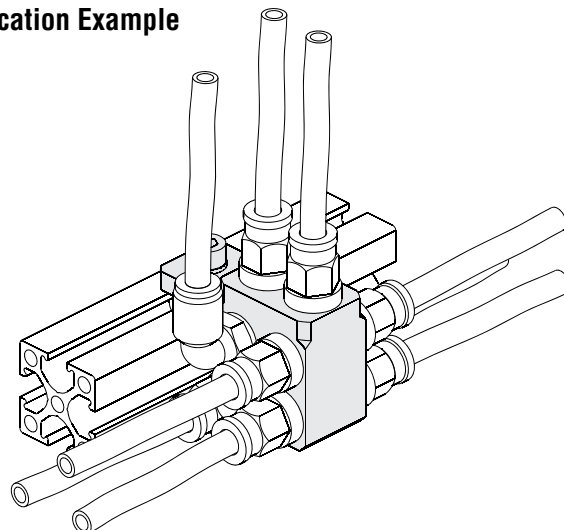
Double Manifold Blocks

Quick#	Part#	Price	Ports	Wt.
5769	MFI-A69	\$12.40	G1/8" (x9)	50g
5770	MFI-A70	\$14.37	G1/8" (x10)	48g



Drop in channel nuts on all Gimatic manifold blocks allow the manifolds to be easily installed on an already assembled EOAT.

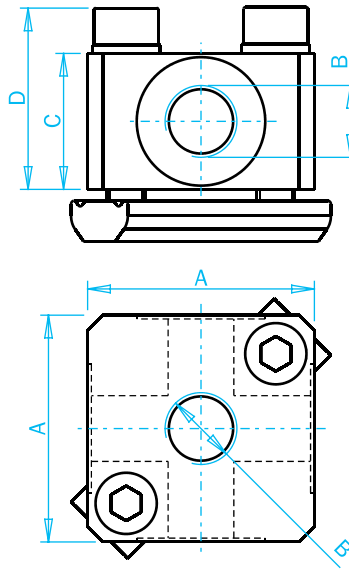
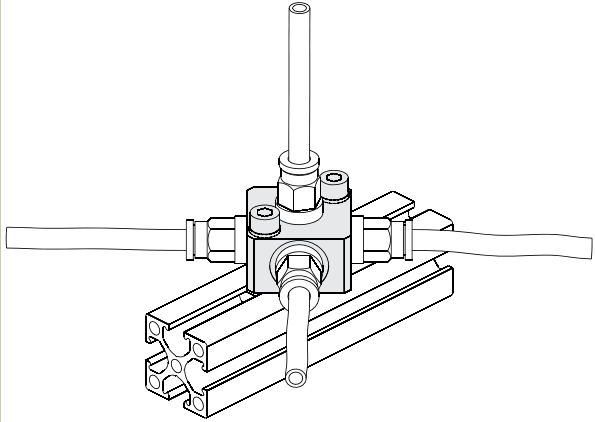
Application Example



Gimatic Side Manifold Blocks

(Dimensioned drawings shown full scale)

Application Example



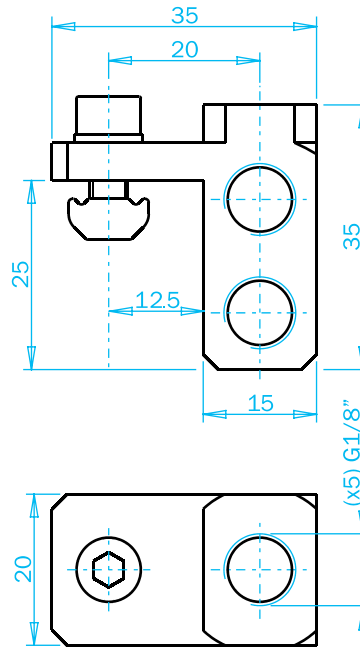
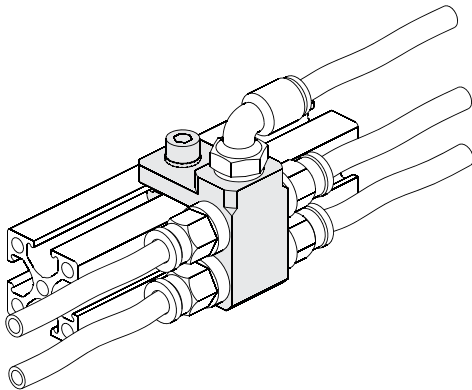
#5771
G1/8" (x5)



Manifold Block

Quick #	Part#	Price	A	B	C	D	Wt.
5771	MFI-A66	\$9.26	30	G1/8" (x5)	18	24	50g
5831	MFI-A67	\$9.63	40	G1/4" (x5)	20	23	80g

Application Example



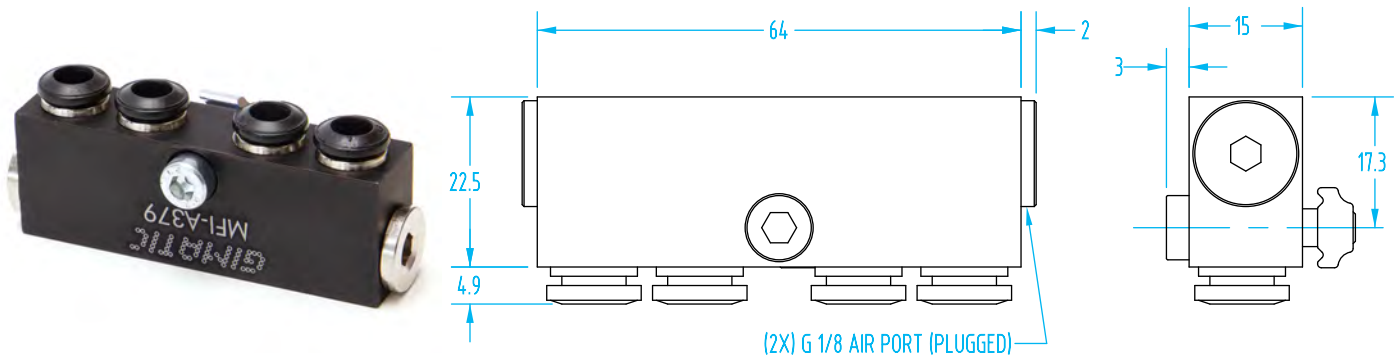
#5768
G1/8" (x5)



Manifold Block

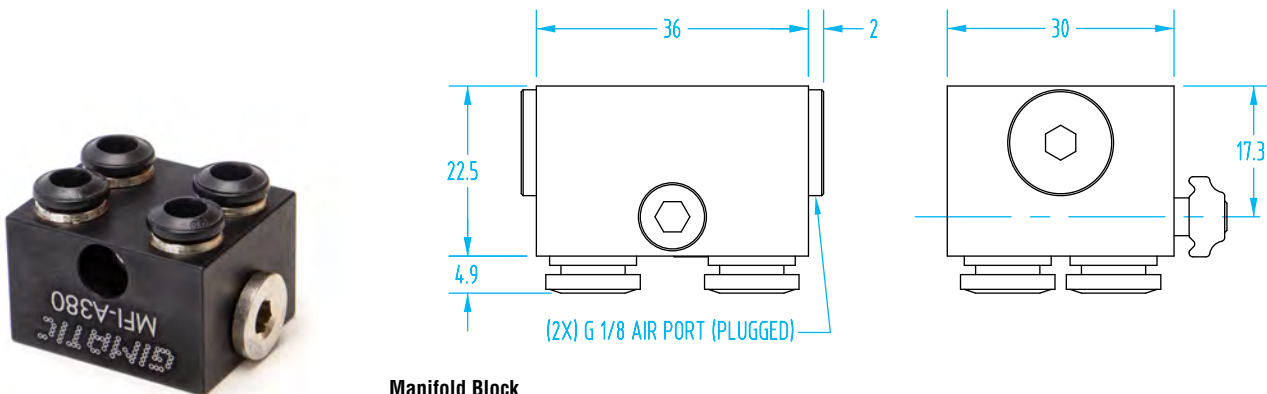
Quick#	Part#	Price	Ports	Wt.
5768	MFI-A68	\$11.68	G 1/8" (x5)	30g

Gimatic Manifold Blocks with Integrated Fittings



Manifold Block

Quick#	Part#	Price	Ports	Wt.
7480	MFI-A379	\$48.10	Ø6mm (x4), G1/8" (x2)	61g

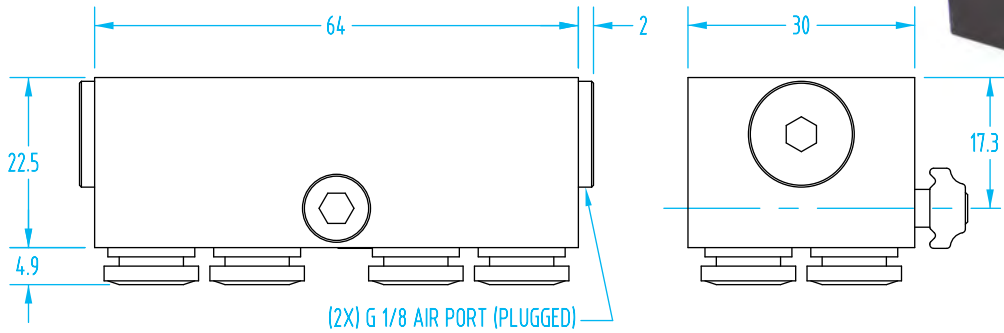


Manifold Block

Quick#	Part#	Price	Ports	Wt.
7481	MFI-A380	\$48.10	Ø6mm (x4), G1/8" (x2)	65g

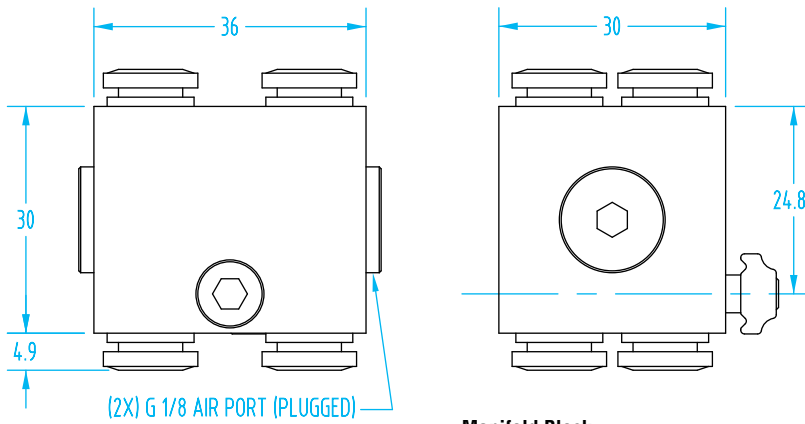


Gimatic Manifold Blocks with Integrated Fittings



Manifold Block

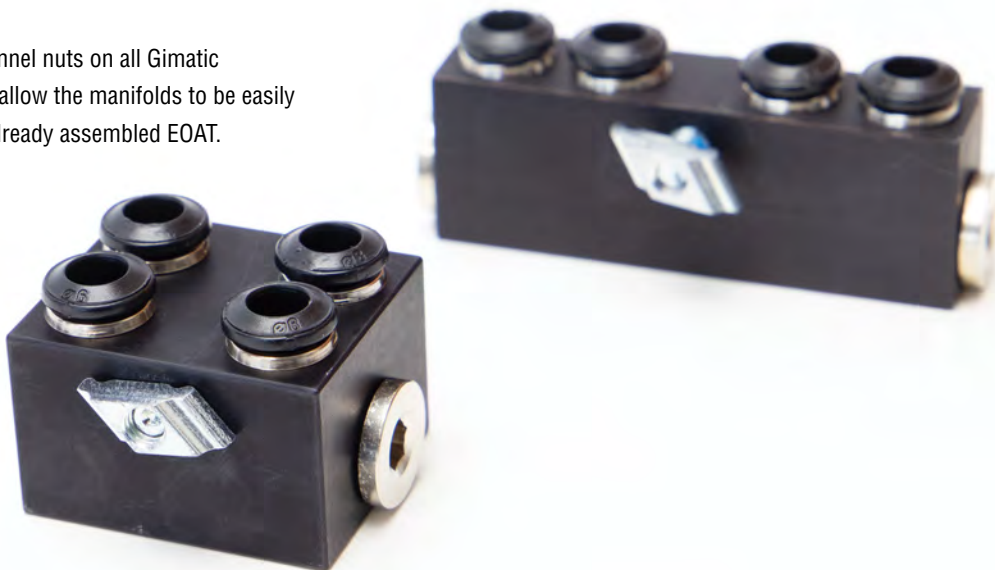
Quick#	Part#	Price	Ports	Wt.
7482	MFI-A381	\$62.37	Ø6mm (x8), G1/8" (x2)	106g



Manifold Block

Quick#	Part#	Price	Ports	Wt.
7483	MFI-A384	\$62.37	Ø6mm (x8), G1/8" (x2)	87g

New drop in channel nuts on all Gimatic manifold blocks allow the manifolds to be easily installed on an already assembled EOAT.



>ASS< Side Manifold Blocks

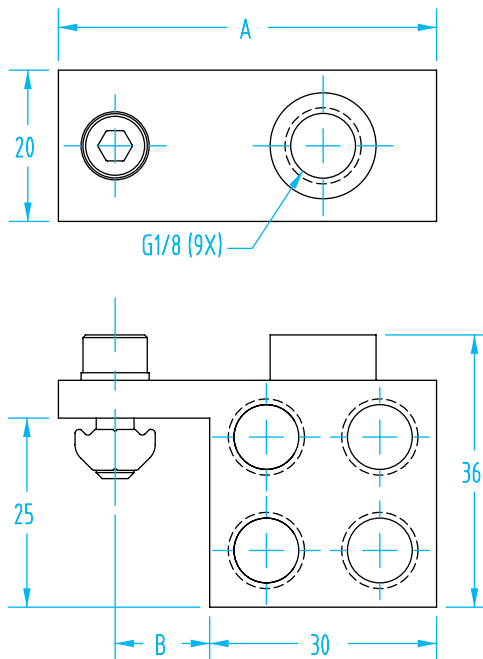
(Dimensioned drawings shown full scale)



#3413

COMMON

9 common ports



Double Manifold Block

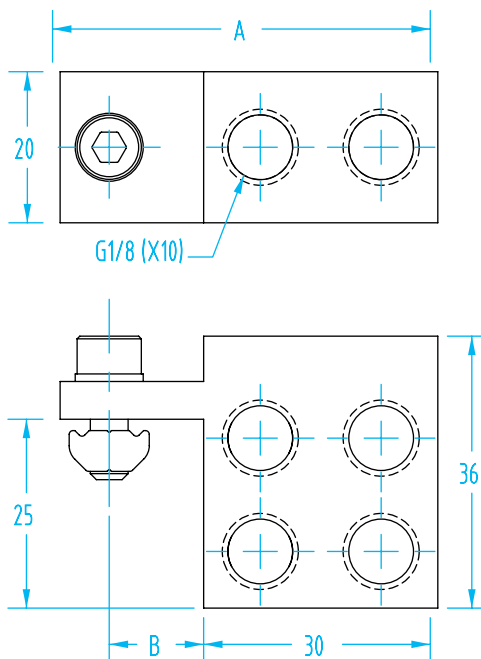
Quick#	Part#	>ASS< #	Price	Ports	A	B	Wt.
3413	VTB2-1-1/8X	1-230-15-00	\$13.65	G1/8" (x9)	50	12.5	88g
3415	VTB2-1-1/8J	1-230-22-00	\$13.65	G1/8" (x9)	60	20	97g



#3414

DIVIDED

5 inlet ports, 5 outlet ports

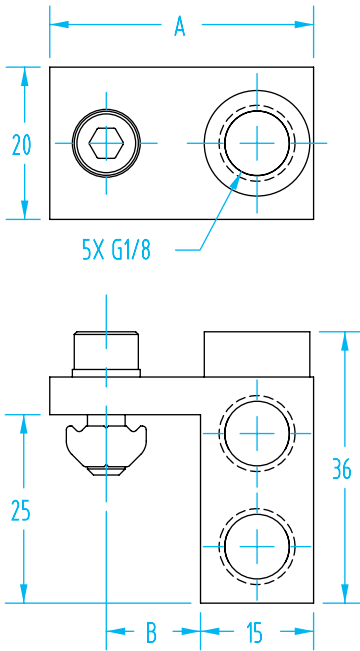


Double Manifold Block

Quick#	Part#	>ASS< #	Price	Ports	A	B	Wt.
3414	VTB2-2-1/8X	1-230-25-00	\$15.23	G1/8" (x10)	50	12.5	86g
3416	VTB2-2-1/8J	1-230-32-00	\$15.23	G1/8" (x10)	60	20	96g

Side Manifold Blocks

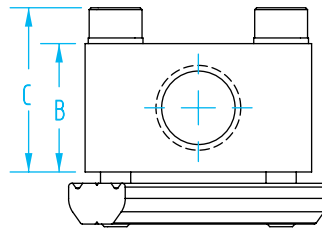
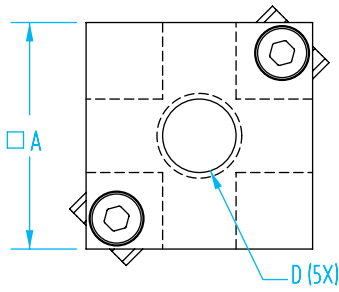
(Dimensioned drawings shown full scale)



#3411

Manifold Block

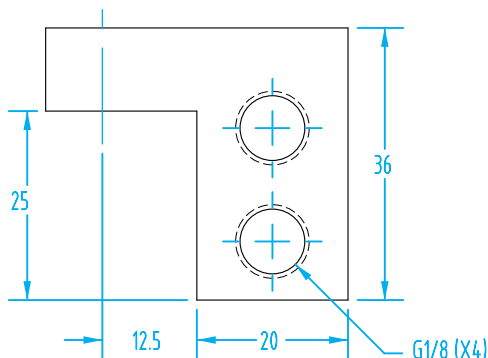
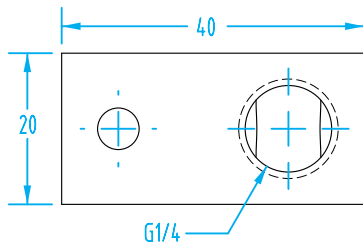
Quick#	Part#	>ASS< #	Price	Ports	A	B	Wt.
3411	VTB1/8X	1-230-05-00	\$12.08	G1/8" (x5)	34	12.5	48g
3412	VTB1/8J	1-230-12-00	\$12.60	G1/8" (x5)	44	20	67g



#3419

Manifold Block

Quick#	Part#	>ASS< #	Price	Ports	A	B	C	D	Wt.
3418	LVTM5X	1-230-40-00	\$12.60	M5 (x5)	14	8	13	M5	8g
3419	LVT1/8X	1-230-45-00	\$13.65	G1/8" (x5)	30	17	22	G1/8"	52g
3420	LVT1/4X	1-230-50-00	\$16.80	G1/4" (x5)	40	22	28	G1/4"	100g



Manifold Block

Quick#	Part#	Price	Ports	Wt.
216	GSF-MAN-G41G84	\$11.25	G1/4" (x1) / G1/8" (x4)	43g

Manifold Blocks

(Dimensioned drawings shown full scale)

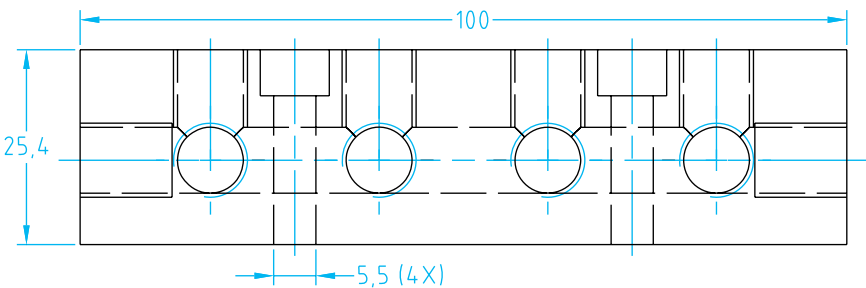
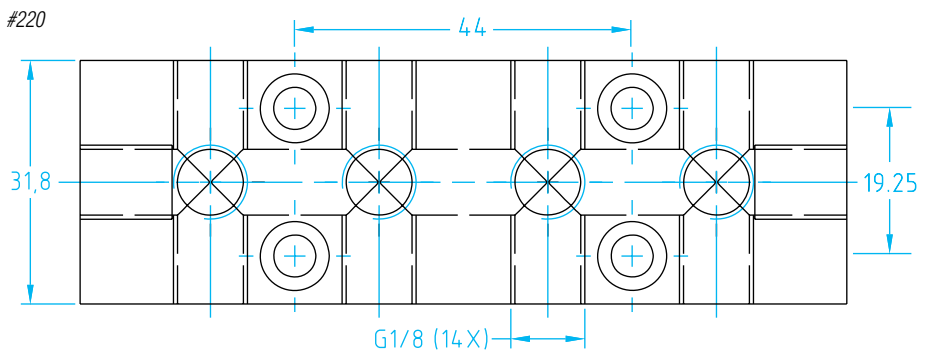
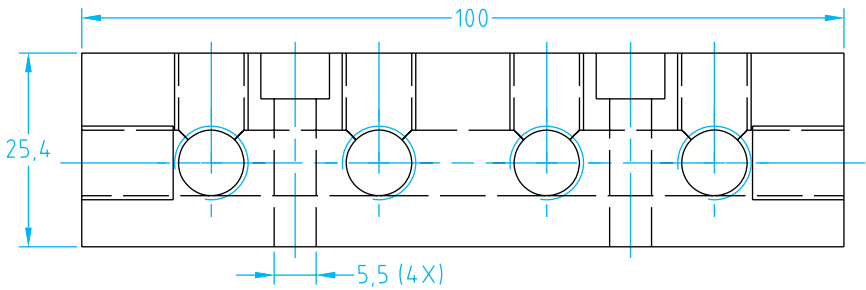
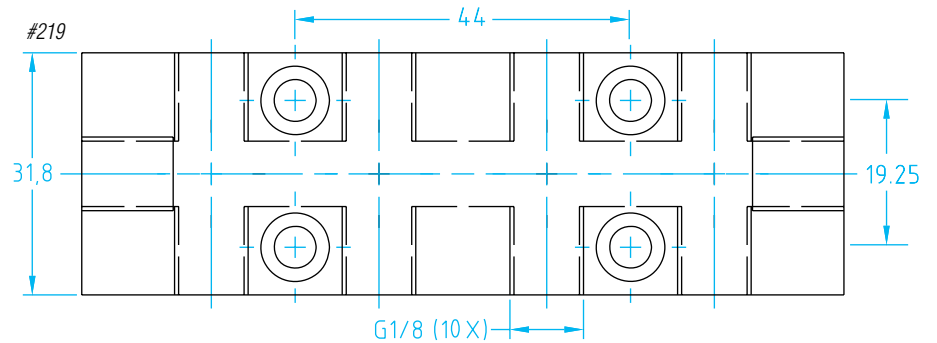
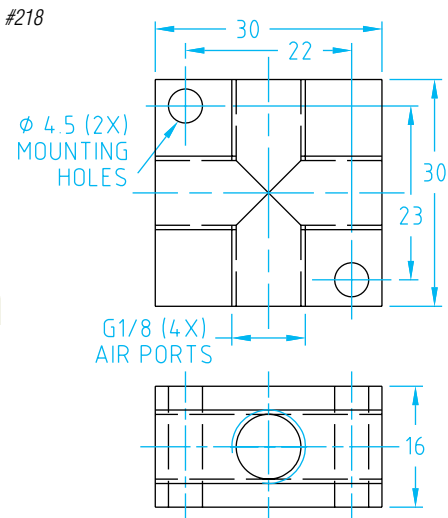
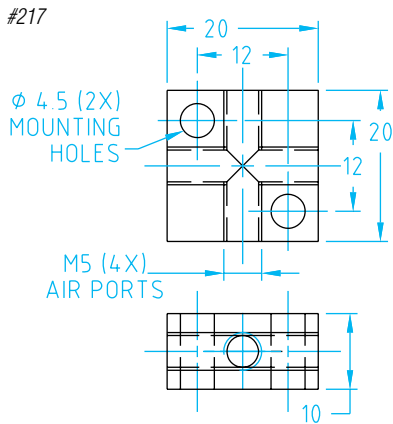


Manifold Blocks

Quick#	Part#	Ports	# Ports	Wt.	Price
217	GSF-MAN-M5X4	M5	4	9g	\$15.18
218	GSF-MAN-G8X4	G1/8"	4	29g	\$9.40
219	GSF-MAN-G8x08	G1/8"	10	170g	\$27.00
220	GSF-MAN-G8x12	G1/8"	14	163g	\$29.00

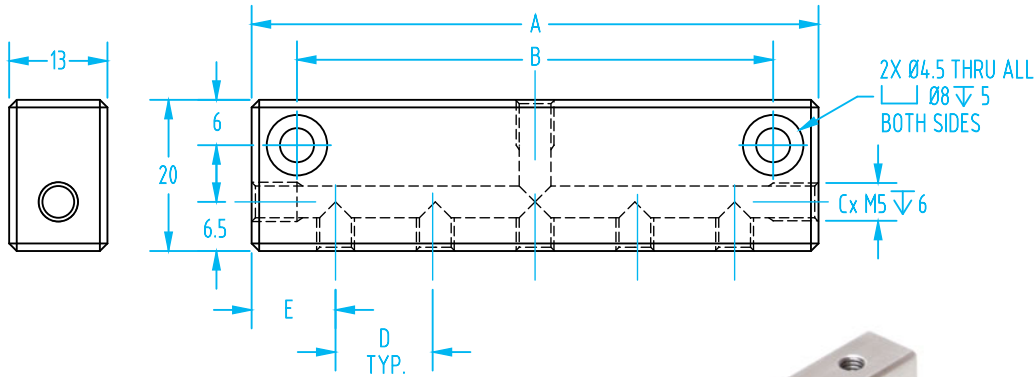
Fasteners are available on page 1076.

Compact female cross manifolds for the distribution of compressed air through one circuit.



Manifold Blocks

(Dimensioned drawings shown full scale)



Manifold Blocks

Quick#	A	B	C	D	E
388	50	38	6	13.6	11.5
389	75	63	8	12.9	11.1
390	100	88	10	13	10.9

NEW

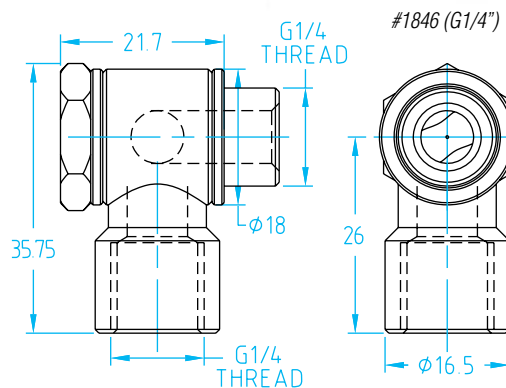
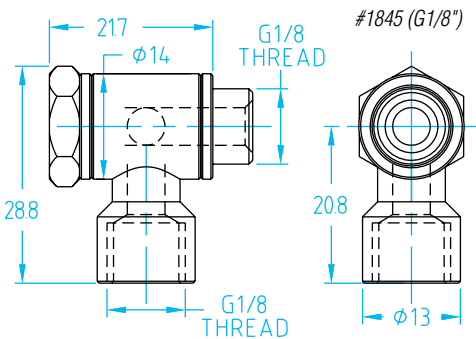
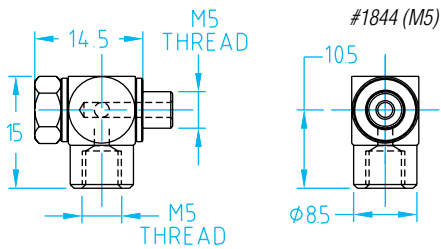


Manifold Blocks

Quick#	Part#	Ports	# Ports	Wt.	Price
388	GSF-MAN-M5X6	M5	6	24g	\$11.15
389	GSF-MAN-M5X8	M5	8	24g	\$12.65
390	GSF-MAN-M5X10	M5	10	61g	\$13.60

Fasteners are available on page 1076.

Banjo Fittings



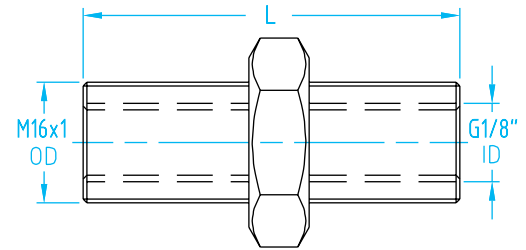
Nickel-Plated Brass Banjo Fittings

Quick#	Part#	Style	Wt.	Price
1844	GSF-HSE-M5	Swivel "L" M5	8g	\$4.33
1845	GSF-HSE-G8	Swivel "L" G1/8"	30g	\$4.73
1846	GSF-HSE-G4	Swivel "L" G1/4"	48g	\$6.38

Extensions



(Dimensioned drawings shown full scale)



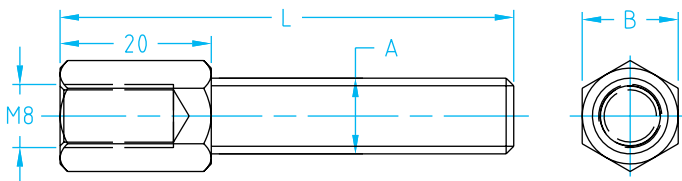
M16x1 - G1/8" Threaded Extensions (Good for vacuum)

Quick #	Part #	Length	OD	ID	Weight	Price
1482	GSS-M16G8-50	50mm	M16x1	G1/8"	24g	\$14.60
1483	GSS-M16G8-120	120mm	M16x1	G1/8"	50g	\$23.00

Includes (1) M16x1 lock nut. See page 1076 for additional nuts.

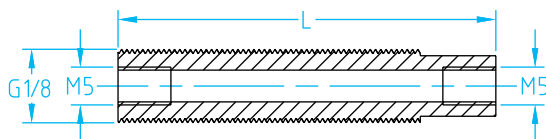


M16x1 - G1/8" Threaded Gripper Extensions (Not for vacuum)



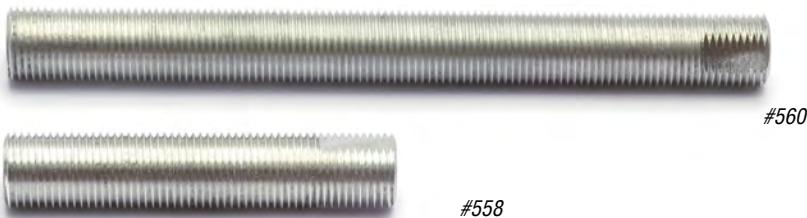
Quick #	Part #	Length	A (Thread)	B	Weight	Price
1774	GSS-G8M8-60	60mm	G1/8"	12.7	14g	\$9.50
1773	GSS-G8M8-120	120mm	G1/8"	12.7	24g	\$9.50
1776	GSS-M16M8-75	75mm	M16X1	19	43g	\$8.94
1775	GSS-M16M8-170	170mm	M16X1	19	92g	\$9.92

Includes (1) G1/8" or M16x1 lock nut. See page 1076 for additional nuts.



G1/8" Threaded Extensions (Good for vacuum)

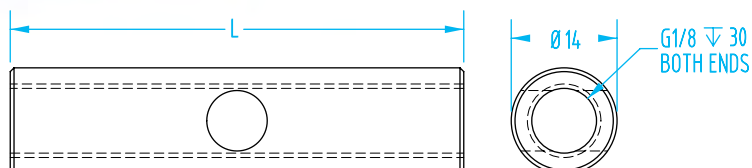
Quick #	Part #	Length	Weight	Price
558	GSS-G8M5-50	50mm	6g	\$9.51
559	GSS-G8M5-75	75mm	9g	\$11.03
560	GSS-G8M5-100	100mm	12g	\$12.39



G1/8" - 14mm Extensions (Not for vacuum)

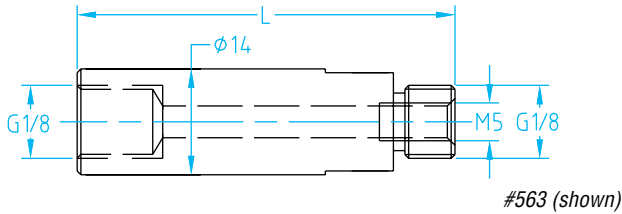
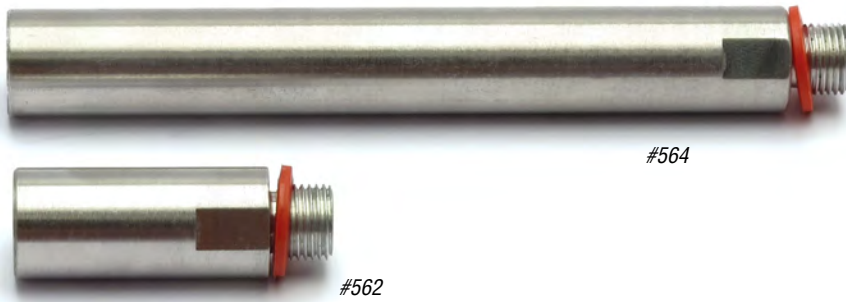
Quick #	Part #	Length	Weight	Price
1847	GSS-14G8-60	60mm	15g	\$7.85
1830	GSS-14G8-150	150mm	38g	\$8.45

Our most popular clampable extensions are available in the Framing Sections; on pages 217 & 262.



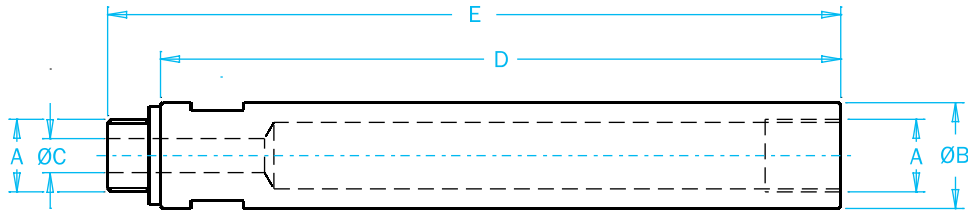
Extensions

(Dimensioned drawings shown full scale)



14mm Extensions (Good for vacuum)

Quick #	Part #	Length	Weight	Price
561	GSS-14G8-30	30mm	7g	\$8.18
562	GSS-14G8-40	40mm	11g	\$8.37
563	GSS-14G8-50	50mm	14g	\$8.87
564	GSS-14G8-110	110mm	37g	\$11.13

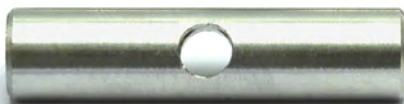


Vacuum Extensions (Good for vacuum)

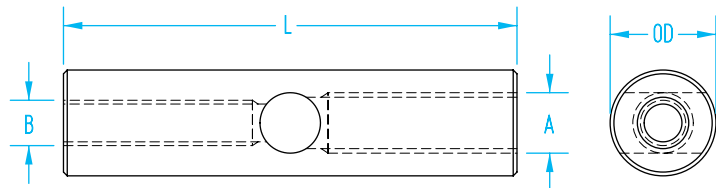
Quick#	Part#	Price	A	B	C	D	E	Wt.
5748	MFI-A154	\$9.48	M5	Ø10	Ø2	45	50	10g
5749	MFI-A155	\$9.98	M5	Ø10	Ø2	90	95	15g
5750	MFI-A150	\$10.93	G1/8"	Ø14	Ø4.5	45	52	15g
5751	MFI-A151	\$12.20	G1/8"	Ø14	Ø4.5	90	97	25g
5752	MFI-A152	\$12.44	G1/4"	Ø20	Ø6.5	45	53	30g
5753	MFI-A153	\$13.33	G1/4"	Ø20	Ø6.5	90	98	55g



#1772



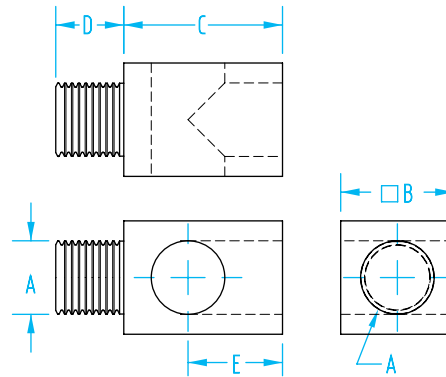
#1771



Gripper Extensions (Not for vacuum)

Quick #	Part #	Length	OD	A	B	Wt.	Price
1771	GSS-14M8-60	60	14	M8x1.25	M6x1	21g	\$9.50
1510	GSS-14M8-120	120	14	M8x1.25	M6x1	44g	\$12.48
1772	GSS-20M8-75	75	20	M8x1.25	M15x1	44g	\$10.00
1511	GSS-20M8-200	200	20	M8x1.25	M15x1	137g	\$12.68

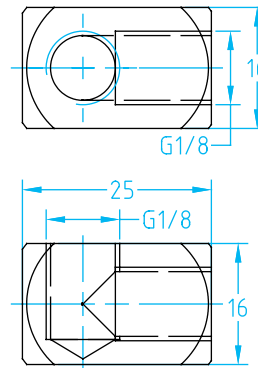
Special Fittings



Special Fittings

Quick#	Part#	Style	A	B	C	D	E	Wt.	Price
751	GSC-MPB-M5	3-way Female M5	M5	7	13	6	8.5	8g	\$8.70
752	GSC-MPB-G8	3-way Female G1/8"	G1/8"	15	21	9	12.5	10g	\$8.90

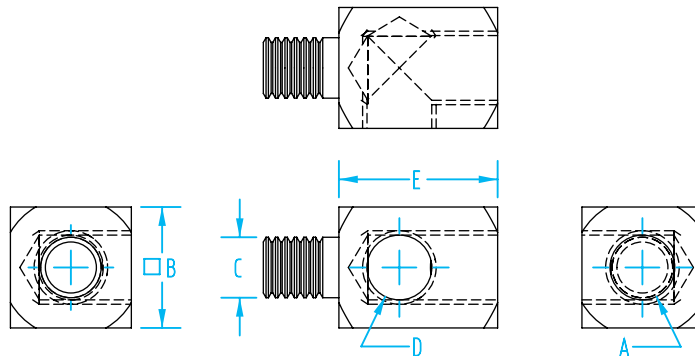
See page 1068 for port plugs.



Special Fittings

Quick#	Part#	Style	Wt.	Price
201	GSF-SEA-G8	Female Elbow G1/8"	11g	\$6.85

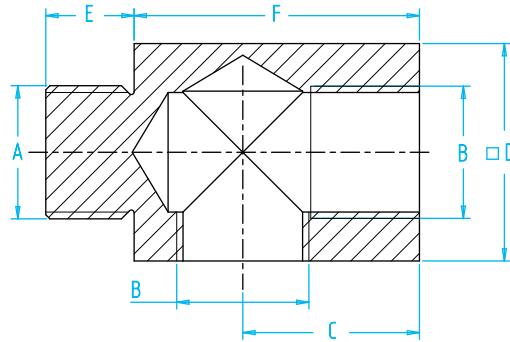
See page 1068 for sealing rings.



Female Adaptor

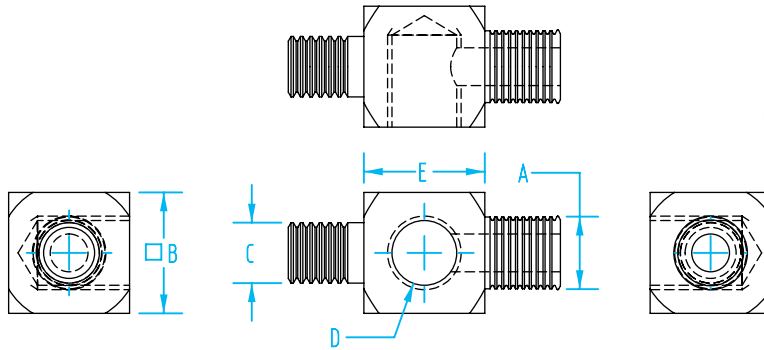
Quick#	Part#	>ASS< #	Price	A	B	C	D	E	Wt.
3299	AVI5i-8-3	1-290-75-00	\$7.35	M5	8	M3	M5	12	4g
3689	AVI5i-8-5	1-290-73-00	\$7.35	M5	8	M5	M5	12	5g
3530	AVI1/8i-16-5	1-290-76-00	\$10.50	G1/8"	16	M5	G1/8"	21	32g
3300	AVI1/8i-16-8	1-290-77-00	\$10.50	G1/8"	16	M8	G1/8"	21	39g
3301	AVI1/4i-16-8	1-290-79-00	\$10.50	G1/4"	16	M8	G1/8"	26	35g

Mounting Adaptors



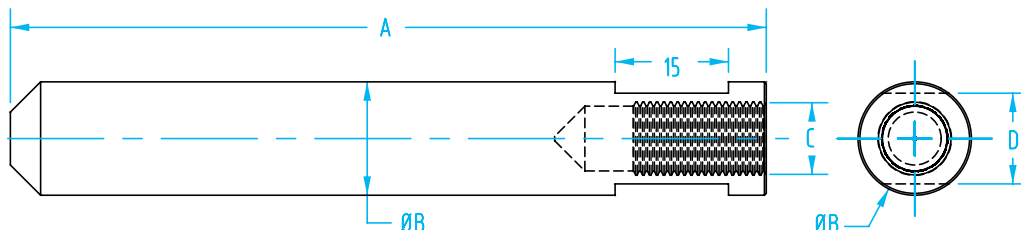
Mounting Adaptor

Quick#	Part#	Price	A	B	C	D	E	F	Wt.
7390	MFI-A365	\$6.14	M3	M5	8	8	4	12	1.6g
7389	MFI-A364	\$6.14	M4	M5	8	8	5	12	1.8g
7387	MFI-A361	\$6.14	M5	M5	8	8	5	14	2.2g
7388	MFI-A362	\$11.79	G1/8"	G1/8"	13	16	6.5	21	11.6g



Male Adaptor

Quick#	Part#	>ASS< #	Price	A	B	C	D	E	Wt.
3302	AVA1/8a-16-6	1-290-81-00	\$10.50	G1/8"	16	M6	G1/8"	16	29g
3303	AVA1/8a-16-8	1-290-83-00	\$10.50	G1/8"	16	M8	G1/8"	16	29g
3304	AVA1/4a-16-6	1-290-85-00	\$10.50	G1/4"	16	M6	G1/8"	16	32g
3305	AVA1/4a-16-8	1-290-87-00	\$10.50	G1/4"	16	M8	G1/8"	16	32g



Other guide pins are available in the Framing Sections; on pages 217 & 262.

Delrin Guide Pins

Quick #	Part #	Price	A	ØB	C	D	Wt.
5213	CP-100-G8	\$15.85	100mm	15	G1/8"	12	21g
5214	CP-100-M16	\$19.35	100mm	25	M16x1	22	32g

Adaptor Fittings

(Shown Actual Size)



Threaded Plug Fittings (with sealing rings)

Quick#	Part#	Thread	Price
239	GSF-TPP-M3	M3	\$1.52
238	GSF-TPP-M5	M5	\$0.46
319	107-M5*	M5	\$1.30
240	GSF-TPP-G8	G1/8"	\$2.87
1388	GSF-TPP-U8*	G1/8"	\$1.43
1389	GSF-TPP-U4*	G1/4"	\$1.70

*Has integrated sealing ring on threads.



Sealing Rings

Quick#	Part#	Thread	Notes	Price
241	GSF-G-M3	M3		\$0.25
242	GSF-G-M5	M5		\$0.11
243	GSF-G-M5W	M5	Wide	\$0.17
244	GSF-G-G8	G1/8"		\$0.24
2450	GSF-G-G4	G1/4"		\$0.45



Female to Female

Quick#	Part#	Female	Female	Price
230	GSF-FC-M5	M5	M5	\$1.74
232	GSF-RFC-G8M5	G1/8"	M5	\$2.22
229	GSF-FC-G8	G1/8"	G1/8"	\$3.06
221	GSF-FC-G8M8	G1/8"	M8	\$4.84
1386	GSF-FC-G4	G1/4"	G1/4"	\$1.76
1387	GSF-RFC-G8G4	G1/8"	G1/4"	\$1.70



NPT Adaptors

Quick#	Part#	Female	Male	Price
233	GSF-NPT-N8G8	G1/8"	1/8"NPT	\$3.28
234	GSF-NPT-R8N8	1/8"NPT	R1/8"	\$4.02
494	GSF-NPT-N4G4	G1/4"	1/4"NPT	\$6.83
498	GSF-NPT-R4N4	1/4"NPT	R1/4"	\$10.32

Note: Male R1/8" fits Female G1/8".
Male R1/4" fits Female G1/4".



Female to Male

Quick#	Part#	Female	Male	Price
249	GSF-NX-M5	M5	M5	\$0.67
375	GSF-AF-M8R8	M8x1	R1/8"	\$2.18

Note: Male R1/8" fits Female G1/8".

See page 1064 for G1/8" extensions.



Bulkhead Fittings

Quick#	Part#	Fitting	Bulkhead	Price
236	GSF-BF-M5	M5	M10x1	\$11.03
237	GSF-BF-G8	G1/8"	M16x1.5	\$12.02
208	GSF-BF-G4	G1/4"	M20x1.5	\$13.74

Note: #236 & #208 have threads that CAN be used with slotted brackets. #237 CANNOT be used with slotted brackets

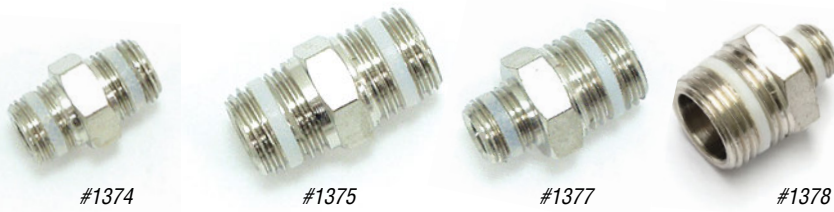
(Shown Actual Size)

Adaptor Fittings



Male to Male

Quick#	Part#	Male	Male	Price
245	GSF-N-M3	M3	M3	\$3.33
246	GSF-N-M5	M5	M5	\$1.25
5782	AF05M05M	M5	M5	\$3.23
247	GSF-N-M5G8	M5	G1/8"	\$5.85
248	GSF-N-G8	G1/8"	G1/8"	\$2.43
5783	AF18M18M	G1/8"	G1/8"	\$2.33
637	GSF-N-G8G4	G1/8"	G1/4"	\$4.44
235	GSF-NPT-R8M5	R1/8"	R1/8"	\$2.59
3681	GRZ-AD-20-16	G1/8"	M17x1	\$8.40
5784	AF14M14M	G1/4"	G1/4"	\$4.27



Male to Male with Integrated Sealing Rings

Quick#	Part#	Male	Male	Price
1374	GSF-UN-U8U8	G1/8"	R1/8"	\$1.73
1375	GSF-UN-U4U4	G1/4"	R1/4"	\$2.33
1376	GSF-UN-U3U3	G3/8"	R3/8"	\$3.05
1377	GSF-UN-U8U4	G1/8"	R1/4"	\$2.32
1378	GSF-UN-U8U3	G1/8"	R3/8"	\$2.92
1379	GSF-UN-U4U3	G1/4"	R3/8"	\$2.87

Note: The Male R threads fit Female G threads.



Reducing Bushings

Quick#	Part#	Female	Male	Price
227	GSF-RB-M5M3	M3	M5	\$5.71
224	GSF-RB-G8M5	M5	G1/8"	\$2.87
223	GSF-RB-R8M5	M5	R1/8"	\$0.58
225	GSF-RB-G4M5	M5	G1/4"	\$3.58
415	GSF-NF4-G8	M6	G1/8"	\$8.32
222	GSF-FMC-G8M5	G1/8"	M5	\$3.70
226	GSF-RB-G4G8	G1/8"	G1/4"	\$2.55
228	GSF-IB-G8G4	G1/4"	G1/8"	\$4.13
1497	GSF-RB-M16G8	G1/8"	M16x1	\$4.20

Note: Male R1/8 fits Female G1/8.



Reducing Bushings with Integrated Male Seal Ring

Quick#	Part#	Female	Male	Price
1380	GSF-URB-U8G8	G1/8"	R1/8"	\$1.54
1381	GSF-URB-U8G4	G1/4"	R1/8"	\$1.88
1382	GSF-URB-U4G3	G3/8"	R1/4"	\$3.28
1383	GSF-URB-U4G8	G1/8"	R1/4"	\$1.45
1384	GSF-URB-U3G8	G1/8"	R3/8"	\$2.05
1385	GSF-URB-U3G4	G1/4"	R3/8"	\$2.05

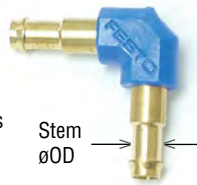
Note: The Male R threads fit Female G threads.

Barbed Fittings

(Shown Actual Size)

Barb Fitting Reference

Use Soft Polyurethane tubing with barbed fittings. Soft PU tubing's extra elasticity provides a snug fit against the barb stem.



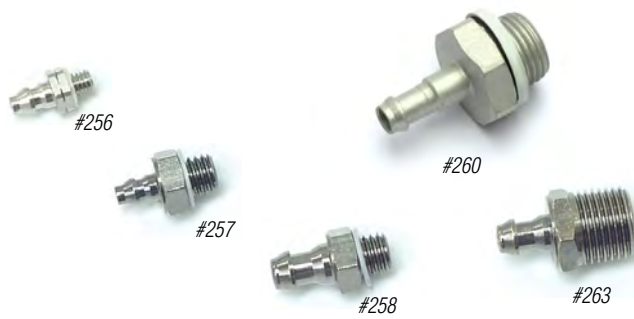
Throughout your system, it is recommended to be consistent in using soft polyurethane tubing with barb fittings **OR** polyurethane tubing with push-in fittings. However, integrating some barbed fittings in a primarily push-in system can provide acceptable results.

Note: Using soft polyurethane tubing with push-in fittings gives unacceptable results.

Application for Soft Polyurethane Tubing

Stem øOD range	Soft PU øID	Soft PU øOD
2.5-3.0	2.4	4
3.8-4.6	4	6
5.5-6.4	5	8

[Reference Compatibility Chart on page 1045 for more information.](#)



Barb Straight Fitting

Quick#	Part#	Thread	Stem øOD	Tube øID	Price
256	GSF-BS-M304	M3	2.7	2.4	\$1.29
257	GSF-BS-M504	M5	2.7	2.4	\$0.67
258	GSF-BS-M506	M5	3.8	4	\$0.77
259	GSF-BS-G804	G1/8"	3.0	2.4	\$3.32
260	GSF-BS-G806	G1/8"	4.0	4	\$3.49
261	GSF-BS-G808	G1/8"	6.4	5	\$3.46
262	GSF-BS-R804	R1/8"	2.7	2.4	\$1.16
263	GSF-BS-R806	R1/8"	3.8	4	\$1.16

Note: Male R1/8 fits Female G1/8.



Barb Elbow Fitting

Quick#	Part#	Thread	Stem øOD	Tube øID	Price
264	GSF-BE-M304	M3	2.7	2.4	\$3.33
265	GSF-BE-M504	M5	2.7	2.4	\$2.09
266	GSF-BE-M506	M5	3.9	4	\$2.09



Barb Elbow Swivel Fitting

Quick#	Part#	Thread	Stem øOD	Tube øID	Price
267	GSF-BES-G803	G1/8"	2.9	2.4	\$9.37
268	GSF-BES-G804	G1/8"	3.9	4	\$9.37
269	GSF-BES-G806	G1/8"	6.4	5	\$9.37



Barb T Swivel Fitting

Quick#	Part#	Thread	Stem øOD	Tube øID	Price
272	GSF-BTS-M303	M3	2.9	2.4	\$11.84
276	GSF-BTS-M504	M5	2.9	2.4	\$12.63
277	GSF-BTS-M506	M5	3.9	4	\$12.63
280	GSF-BTS-G803	G1/8"	2.9	2.4	\$13.06
281	GSF-BTS-G804	G1/8"	3.9	4	\$12.24
282	GSF-BTS-G806	G1/8"	6.4	5	\$13.06

(Shown Actual Size)

Barbed Fittings

Barb Union

Quick#	Part#	øOD1	øOD2	Tube øID	Price
283	GSF-BUS-03	3.0	3.0	2.4	\$3.46
285	GSF-BUS-04	4.0	4.0	4	\$3.24
287	GSF-BUS-06	6.4	6.4	5	\$3.59
Reducer Barb Union					
284	GSF-BUS-0304	3.0	4.0	2.4 / 4	\$3.46
286	GSF-BUS-0406	4.0	6.4	4 / 5	\$3.90



#285



#286

Barb L

Quick#	Part#	Stem øOD	Tube øID	Price
291	GSF-BUL-03	3.0	2.4	\$3.37
292	GSF-BUL-04	4.0	4	\$3.37
293	GSF-BUL-06	6.4	5	\$4.29



#292

Barb T

Quick#	Part#	Stem øOD	Tube øID	Price
288	GSF-BUT-03	3.0	2.4	\$3.37
289	GSF-BUT-04	4.0	4	\$3.37
290	GSF-BUT-06	6.4	5	\$4.29



#289

Barb Y

Quick#	Part#	Stem øOD	Tube øID	Price
294	GSF-BUY-03	3.0	2.4	\$3.37
295	GSF-BUY-04	4.0	4	\$3.37
296	GSF-BUY-06	6.4	5	\$4.66



#295

Universal with Barb Fittings

Quick #	Part#	Thread	StemøOD	TubeøID	Price
278	GSF-BTU-M504	M5	4.2	4	\$1.55
279	GSF-BTU-M506	M5	3.8	4	\$12.66
463	GSF-BTU-M525	M5	2.5	2.4	\$12.35



#278



#279



#463

Universal Threaded Fittings

Quick#	Part#	Male Thread	Female Thread	Price
270	GSF-EF-M5	-	M5 (2x)	\$1.07
275	GSF-T-M5	-	M5 (3x)	\$1.11
271	GSF-EU-M5	M5	M5 (1x)	\$1.47
273	GSF-TU-M3	M3	M3 (2x)	\$2.84
274	GSF-TU-M5	M5	M5 (2x)	\$1.52



#270



#275



#271



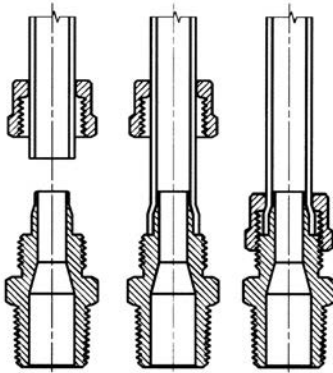
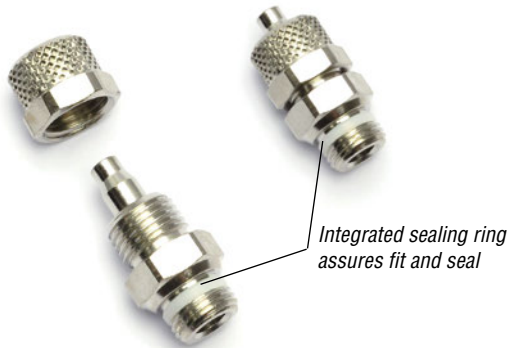
#273



#274

European-Style Barb Fittings with Retaining Rings

(Shown Actual Size)



Male Threaded - Barbed Straight

Quick#	Part#	Male Thread	øOD/ID Tubing	Price
1356	GSF-RMC-M506	M5	6/4mm	\$1.10
1357	GSF-RMC-M606	M6	6/4mm	\$1.43
1358	GSF-RMC-U806	G1/8"	6/4mm	\$4.11
1359	GSF-RMC-U406	G1/4"	6/4mm	\$4.99
1360	GSF-RMC-U808	G1/8"	8/5mm	\$1.87
1361	GSF-RMC-U408	G1/4"	8/5mm	\$2.52



Male Threaded - Barbed Elbow

Quick#	Part#	Male Thread	øOD/ID Tubing	Price
1362	GSF-RME-U806	G1/8"	6/4mm	\$4.11
1363	GSF-RME-U406	G1/4"	6/4mm	\$4.99
1364	GSF-RME-U808	G1/8"	8/5mm	\$4.65
1365	GSF-RME-U408	G1/4"	8/5mm	\$5.19

Male Threaded - Barbed T

Quick#	Part#	Male Thread	øOD/ID Tubing	Price
1366	GSF-RMT-U806	G1/8"	6/4mm	\$5.35
1367	GSF-RMT-U406	G1/4"	6/4mm	\$5.94
1368	GSF-RMT-U808	G1/8"	8/5mm	\$4.88
1369	GSF-RMT-U408	G1/4"	8/5mm	\$6.32



Use regular Polyurethane Tubing (as used with Push-In fittings)

For those who like European-style barbed fittings which use retaining rings coupled with standard polyurethane tubing, we offer these fittings with their integrated sealing rings. Use these fittings with 6mmOD/4mmID and 8mmOD/5mmID polyurethane tubing.

Female Threaded - Barbed Straight

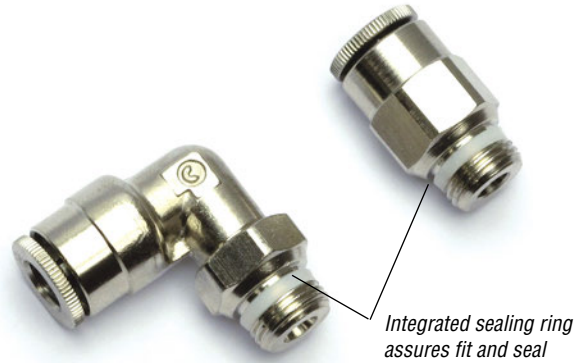
Quick#	Part#	Female Thread	øOD/ID Tubing	Price
1370	GSF-RFC-U806	G1/8"	6/4mm	\$1.98
1371	GSF-RFC-U406	G1/4"	6/4mm	\$1.98
1372	GSF-RFC-U808	G1/8"	8/5mm	\$2.09
1373	GSF-RFC-U408	G1/4"	8/5mm	\$2.68

(Shown Actual Size)

Push-In Fittings – Nickel Plated Brass

Male Threaded - Push-In Straight

Quick#	Part#	Thread	øD Tubing	Price
1328	GSF-UMC-M504	M5	4mm	\$2.56
1329	GSF-UMC-U804	G1/8"	4mm	\$2.27
1330	GSF-UMC-M506	M5	6mm	\$2.56
1331	GSF-UMC-U806	G1/8"	6mm	\$2.21
1332	GSF-UMC-U406	G1/4"	6mm	\$2.62
1333	GSF-UMC-U808	G1/8"	8mm	\$2.76
1334	GSF-UMC-U408	G1/4"	8mm	\$2.89
1335	GSF-UMC-U308	G3/8"	8mm	\$3.51
1336	GSF-UMC-U310	G3/8"	10mm	\$3.97



Male Threaded - Push-In Elbow

Quick#	Part#	Thread	øD Tubing	Price
1337	GSF-UME-U804	G1/8"	4mm	\$2.27
1338	GSF-UME-U806	G1/8"	6mm	\$4.66
1339	GSF-UME-U406	G1/4"	6mm	\$5.14
1340	GSF-UME-U808	G1/8"	8mm	\$5.44
1341	GSF-UME-U408	G1/4"	8mm	\$5.72
1342	GSF-UME-U308	G3/8"	8mm	\$7.31
1343	GSF-UME-U310	G3/8"	10mm	\$7.99

High Quality, Low Cost

The unique design of the integrated sealing ring assures leak-free threaded connections. The construction is high-quality nickel-plated brass and yet the cost is very competitive.

Note: These are heavier than the plastic push-in fittings on previous pages. Use these push-in fittings with Ø4, 6, 8, and 10mm OD polyurethane tubing.

Male Threaded - Push-In T

Quick#	Part#	Thread	øD Tubing	Price
1344	GSF-UMT-M504	M5	4mm	\$6.56
1345	GSF-UMT-U804	G1/8"	4mm	\$6.96
1346	GSF-UMT-U806	G1/8"	6mm	\$6.96
1347	GSF-UMT-U406	G1/4"	6mm	\$7.31
1348	GSF-UMT-U808	G1/8"	8mm	\$8.54
1349	GSF-UMT-U408	G1/4"	8mm	\$8.77
1350	GSF-UMT-U308	G3/8"	8mm	\$9.89
1351	GSF-UMT-U310	G3/8"	10mm	\$12.15



Female Threaded - Push-In Straight

Quick#	Part#	Thread	øD Tubing	Price
1352	GSF-UFC-M504	M5	4mm	\$3.63
1353	GSF-UFC-G804	G1/8"	4mm	\$3.36
1354	GSF-UFC-G806	G1/8"	6mm	\$3.36
1355	GSF-UFC-G808	G1/8"	8mm	\$3.93

**G1/8", R1/8" & 1/8" NPT
Special note:**

The G1/8" fittings on these pages can be used with 1/8" NPT and R1/8" female threaded ports.