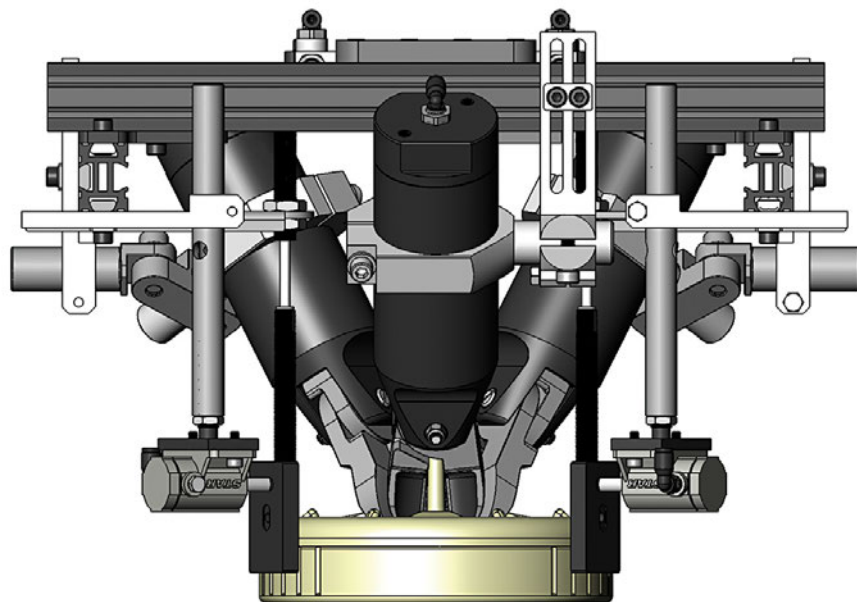
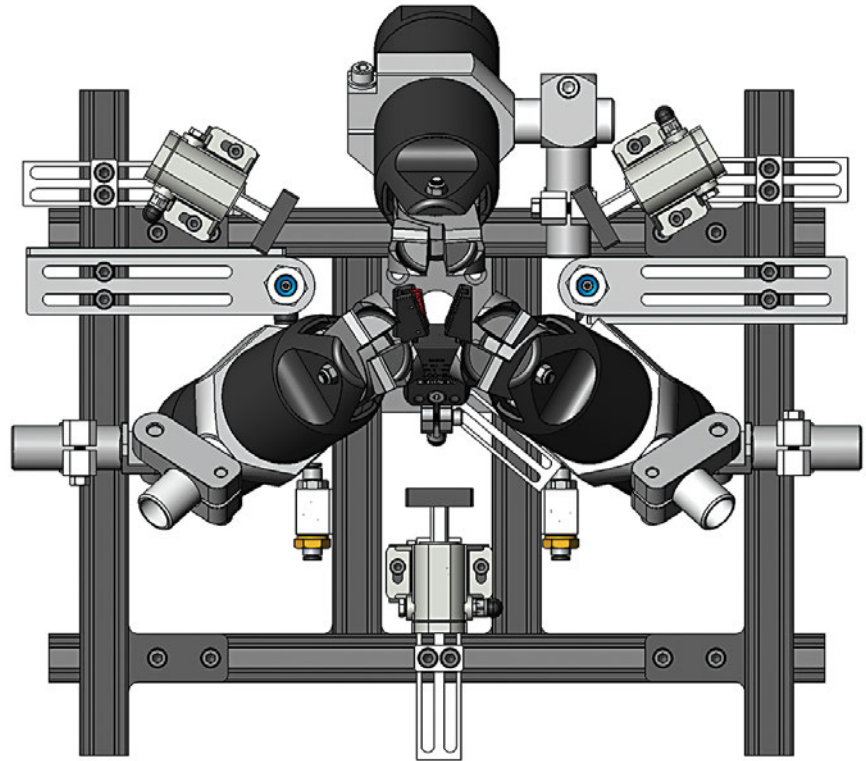
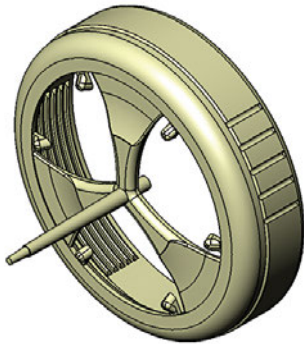


EOAT Design and Build Service

From the simplest to the most complex EOAT, EMI specializes in designing and building customized End-of-Arm-Tooling— **Priced Competitively.**

Get started by sending us a sample part or 3D part file and a completed datasheet (see page 1082). Our experienced EOAT engineers will design a tool for you and provide you 3D CAD renderings at no cost or obligation. We'll also provide pricing for the tool should you want to purchase the EOAT completely assembled.



Screw Length / Bracket Thickness Chart

>ASS< 25mm L & X profile
(18/10, 18/18, 25/10, 25/18, 25/25, 25/50)

| Screw Length | Lock Washer | Min Bracket | Max Bracket |
|--------------|-------------|-------------|-------------|
| 10 | 0.6 | | 4.4 |
| | 1.6 | | 3.4 |
| 12 | 0.6 | 4.2 | 6.4 |
| | 1.6 | 3.2 | 5.4 |
| 14 | 0.6 | 6.2 | 8.4 |
| | 1.6 | 5.2 | 7.4 |
| 16 | 0.6 | 8.2 | 10.4 |
| | 1.6 | 7.2 | 9.4 |
| 18 | 0.6 | 10.2 | 12.4 |
| | 1.6 | 9.2 | 11.4 |
| 20 | 0.6 | 12.2 | 14.4 |
| | 1.6 | 11.2 | 13.4 |
| 22 | 0.6 | 14.2 | 16.4 |
| | 1.6 | 13.2 | 15.4 |
| 25 | 0.6 | 17.2 | 19.4 |
| | 1.6 | 16.2 | 18.4 |
| 30 | 0.6 | 22.2 | 24.4 |
| | 1.6 | 21.2 | 23.4 |
| 35 | 0.6 | 27.2 | 29.4 |
| | 1.6 | 26.2 | 28.4 |
| 40 | 0.6 | 32.2 | 34.4 |
| | 1.6 | 31.2 | 33.4 |
| 45 | 0.6 | 37.2 | 39.4 |
| | 1.6 | 36.2 | 38.4 |

>ASS< 40mm J profile
(40/40, 80/40)

| Screw Length | Lock Washer | Min Bracket | Max Bracket |
|--------------|-------------|-------------|-------------|
| 12 | 0.6 | | 4.7 |
| | 1.6 | | 3.7 |
| 14 | 0.6 | 1.7 | 6.7 |
| | 1.6 | 0.7 | 5.7 |
| 16 | 0.6 | 3.7 | 8.7 |
| | 1.6 | 2.7 | 7.7 |
| 18 | 0.6 | 5.7 | 10.7 |
| | 1.6 | 4.7 | 9.7 |
| 20 | 0.6 | 7.7 | 12.7 |
| | 1.6 | 6.7 | 11.7 |
| 22 | 0.6 | 9.7 | 14.7 |
| | 1.6 | 8.7 | 13.7 |
| 25 | 0.6 | 12.7 | 17.7 |
| | 1.6 | 11.7 | 16.7 |
| 30 | 0.6 | 17.7 | 22.7 |
| | 1.6 | 16.7 | 21.7 |
| 35 | 0.6 | 22.7 | 27.7 |
| | 1.6 | 21.7 | 26.7 |
| 40 | 0.6 | 27.7 | 32.7 |
| | 1.6 | 26.7 | 31.7 |
| 45 | 0.6 | 32.7 | 37.7 |
| | 1.6 | 31.7 | 36.7 |
| 50 | 0.6 | 37.7 | 42.7 |
| | 1.6 | 36.7 | 41.7 |

These charts indicate the screw length required to fasten a given bracket thickness to the various profiles.

See Next Page for General Fasteners.

How to use these charts

1. What profile are you using?
Go to that chart.
2. What is the thickness of the bracket you want to use?
Find it within the range between Min and Max.
3. Will you be using a 0.6mm lock washer only, or a lock washer and flat washer combination (1.6mm)?
Make sure you are reading the Min/Max range for the washer thickness line.
4. The required screw length is found in the left column.

① Profile Type

| Screw Length | Lock Washer | Min Bracket | Max Bracket |
|--------------|-------------|-------------|-------------|
| ④ 10 | ③ 0.6 | 3.3 | 5.4 |
| | 1.6 | 2.3 | ② 4.4 |

Gimatic 25mm L & X profile
(18/10, 18/18, 25/10, 25/18, 25/25, 25/50)

| Screw Length | Lock Washer | Min Bracket | Max Bracket |
|--------------|-------------|-------------|-------------|
| 10 | 0.6 | | 4.4 |
| | 1.6 | | 3.4 |
| 12 | 0.6 | 4.2 | 6.4 |
| | 1.6 | 3.2 | 5.4 |
| 14 | 0.6 | 6.2 | 8.4 |
| | 1.6 | 5.2 | 7.4 |
| 16 | 0.6 | 8.2 | 10.4 |
| | 1.6 | 7.2 | 9.4 |
| 18 | 0.6 | 10.2 | 12.4 |
| | 1.6 | 9.2 | 11.4 |
| 20 | 0.6 | 12.2 | 14.4 |
| | 1.6 | 11.2 | 13.4 |
| 22 | 0.6 | 14.2 | 16.4 |
| | 1.6 | 13.2 | 15.4 |
| 25 | 0.6 | 17.2 | 19.4 |
| | 1.6 | 16.2 | 18.4 |
| 30 | 0.6 | 22.2 | 24.4 |
| | 1.6 | 21.2 | 23.4 |
| 35 | 0.6 | 27.2 | 29.4 |
| | 1.6 | 26.2 | 28.4 |
| 40 | 0.6 | 32.2 | 34.4 |
| | 1.6 | 31.2 | 33.4 |
| 45 | 0.6 | 37.2 | 39.4 |
| | 1.6 | 36.2 | 38.4 |

Gimatic 40mm J profile
(40/40, 80/40)

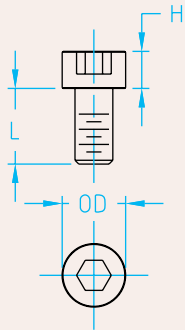
| Screw Length | Lock Washer | Min Bracket | Max Bracket |
|--------------|-------------|-------------|-------------|
| 12 | 0.6 | | 4.7 |
| | 1.6 | | 3.7 |
| 14 | 0.6 | 1.7 | 6.7 |
| | 1.6 | 0.7 | 5.7 |
| 16 | 0.6 | 3.7 | 8.7 |
| | 1.6 | 2.7 | 7.7 |
| 18 | 0.6 | 5.7 | 10.7 |
| | 1.6 | 4.7 | 9.7 |
| 20 | 0.6 | 7.7 | 12.7 |
| | 1.6 | 6.7 | 11.7 |
| 22 | 0.6 | 9.7 | 14.7 |
| | 1.6 | 8.7 | 13.7 |
| 25 | 0.6 | 12.7 | 17.7 |
| | 1.6 | 11.7 | 16.7 |
| 30 | 0.6 | 17.7 | 22.7 |
| | 1.6 | 16.7 | 21.7 |
| 35 | 0.6 | 22.7 | 27.7 |
| | 1.6 | 21.7 | 26.7 |
| 40 | 0.6 | 27.7 | 32.7 |
| | 1.6 | 26.7 | 31.7 |
| 45 | 0.6 | 32.7 | 37.7 |
| | 1.6 | 31.7 | 36.7 |
| 50 | 0.6 | 37.7 | 42.7 |
| | 1.6 | 36.7 | 41.7 |

80/20 1" Profile
(1010, 1020, 1030)

| Screw Length | Lock Washer | Min Bracket | Max Bracket |
|--------------|-------------|-------------|-------------|
| 10 | 0.6 | | 5.1 |
| | 1.6 | | 4.1 |
| 12 | 0.6 | 3.6 | 7.1 |
| | 1.6 | 2.6 | 6.1 |
| 14 | 0.6 | 5.6 | 9.1 |
| | 1.6 | 4.6 | 8.1 |
| 16 | 0.6 | 7.6 | 11.1 |
| | 1.6 | 6.6 | 10.1 |
| 18 | 0.6 | 9.6 | 13.1 |
| | 1.6 | 8.6 | 12.1 |
| 20 | 0.6 | 11.6 | 15.1 |
| | 1.6 | 10.6 | 14.1 |
| 22 | 0.6 | 13.6 | 17.1 |
| | 1.6 | 12.6 | 16.1 |
| 25 | 0.6 | 16.6 | 20.1 |
| | 1.6 | 15.6 | 19.1 |
| 30 | 0.6 | 21.6 | 25.1 |
| | 1.6 | 20.6 | 24.1 |
| 35 | 0.6 | 26.6 | 30.1 |
| | 1.6 | 25.6 | 29.1 |
| 40 | 0.6 | 31.6 | 35.1 |
| | 1.6 | 30.6 | 34.1 |
| 45 | 0.6 | 36.6 | 40.1 |
| | 1.6 | 35.6 | 39.1 |

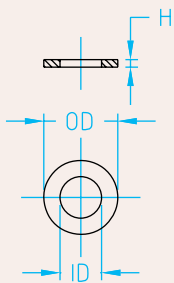
General Fasteners

Dimensional Information



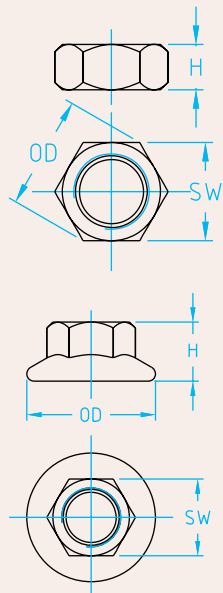
Socket Head Cap Screws

| | OD | H |
|-------------------|------|-----|
| M2.5 x 0.45 | 4.5 | 2.5 |
| M3 x 0.5 | 5.5 | 3 |
| M3.5 x 0.6 | 5.7 | 3.5 |
| M4 x 0.7 | 7 | 4 |
| M5 x 0.8 | 8.5 | 5 |
| M5 x 0.8 Low head | 8.5 | 3.5 |
| M6 x 1 | 10 | 6 |
| M8 x 1.25 | 13 | 8 |
| M10 x 1.5 | 16.5 | 10 |



Washers

| | ID | OD | H |
|----------------------|-----|-----|------|
| M2.5 Washer | 2.7 | 5 | 0.5 |
| M2.5 Fender washer | 2.7 | 8 | 0.8 |
| M2.5 Lock washer | 2.7 | 4.8 | 0.45 |
| M3 Washer | 3.2 | 6 | 0.5 |
| M3 Fender washer | 3.2 | 9 | 0.8 |
| M3 Lock washer | 3.2 | 5.5 | 0.45 |
| M4 Washer | 4.3 | 8 | 0.5 |
| M4 Fender washer | 4.3 | 12 | 1.0 |
| M4 Lock washer | 4.3 | 7 | 0.5 |
| M5 Washer | 5.3 | 9.5 | 1.0 |
| M5 Fender washer | 5.3 | 15 | 1.2 |
| M5 Thin lock washer | 5.3 | 9 | 0.6 |
| M5 Thick lock washer | 5.3 | 9 | 1.0 |
| M6 Washer | 6.4 | 11 | 1.6 |
| M6 Fender washer | 6.4 | 18 | 1.6 |
| M6 Lock washer | 6.4 | 10 | 0.7 |
| M6 Thick lock washer | 6.4 | 10 | 1.0 |
| M8 Washer | 8.4 | 15 | 1.6 |
| M8 Fender washer | 8.4 | 24 | 2.0 |
| M8 Lock washer | 8.4 | 13 | 0.8 |
| M8 Thick lock washer | 8.4 | 13 | 1.2 |



Nuts

| | OD | H | SW |
|------------------|------|-----|-----|
| M2.5x0.45 Nut | 5.8 | 2 | 5 |
| M3x0.5 Nut | 6.4 | 2.4 | 5.5 |
| M4x0.7 Nut | 8.1 | 3.2 | 7 |
| M5x0.8 Nut | 9.3 | 4 | 8 |
| M5x0.8 Lock nut | 11.2 | 4.3 | 8 |
| M6x1 Nut | 11.6 | 5 | 10 |
| M6x1 Lock nut | 14.2 | 5.5 | 10 |
| M8x1.25 Nut | 15.0 | 6.5 | 13 |
| M8x1.25 Lock nut | 18.2 | 7 | 13 |
| G1/8" Nut thin | 13.7 | 3.6 | 12 |
| M10x1 Nut thin | 14.5 | 5 | 17 |
| M16x1 Nut thin | 25.2 | 5.2 | 22 |

Additional Hardware can be found online, Search here!

M2

| Quick # | Part # | Description | Price |
|---------|-----------------|-------------------|--------|
| 4800 | GSC-M2-N | M2 Nut | \$0.10 |
| 4801 | GSC-M2-LN-SS-NI | M2 Nylon Lock Nut | \$1.50 |
| 4802 | GSC-FSH-2X6 | M2 x 6mm FHCS | \$0.25 |
| 4803 | GSC-FSH-2X10 | M2 x 10mm FHCS | \$0.25 |
| 4804 | GSC-FSH-2X12 | M2 x 12mm FHCS | \$0.35 |
| 4805 | GSC-M2-10 | M2 x 10mm SHCS | \$0.25 |
| 4806 | GSC-M2-12 | M2 x 12mm SHCS | \$0.35 |

M2.5

| Quick # | Part # | Description | Price |
|---------|-------------|---------------|--------|
| 801 | GSC-M2.5-4 | M2.5 x 4mm | \$0.40 |
| 802 | GSC-M2.5-5 | M2.5 x 5mm | \$0.40 |
| 803 | GSC-M2.5-6 | M2.5 x 6mm | \$0.20 |
| 804 | GSC-M2.5-8 | M2.5 x 8mm | \$0.30 |
| 805 | GSC-M2.5-10 | M2.5 x 10mm | \$0.20 |
| 806 | GSC-M2.5-12 | M2.5 x 12mm | \$0.20 |
| 807 | GSC-M2.5-14 | M2.5 x 14mm | \$0.40 |
| 808 | GSC-M2.5-16 | M2.5 x 16mm | \$0.45 |
| 809 | GSC-M2.5-LW | Lock washer | \$0.10 |
| 810 | GSC-M2.5-W | M2.5 Washer | \$0.10 |
| 811 | GSC-M2.5-FW | Fender washer | \$0.10 |
| 812 | GSC-M2.5-N | M2.5 Nut | \$0.10 |

M3

| Quick # | Part # | Description | Price |
|---------|-----------------|----------------------|--------|
| 813 | GSC-M3-5 | M3 x 5mm | \$0.10 |
| 814 | GSC-M3-6 | M3 x 6mm | \$0.10 |
| 815 | GSC-M3-8 | M3 x 8mm | \$0.10 |
| 816 | GSC-M3-10 | M3 x 10mm | \$0.10 |
| 817 | GSC-M3-12 | M3 x 12mm | \$0.10 |
| 818 | GSC-M3-14 | M3 x 14mm | \$0.10 |
| 819 | GSC-M3-16 | M3 x 16mm | \$0.10 |
| 820 | GSC-M3-18 | M3 x 18mm | \$0.20 |
| 821 | GSC-M3-20 | M3 x 20mm | \$0.10 |
| 822 | GSC-M3-22 | M3 x 22mm | \$0.25 |
| 823 | GSC-M3-25 | M3 x 25mm | \$0.25 |
| 824 | GSC-M3-30 | M3 x 30mm | \$0.25 |
| 825 | GSC-M3-35 | M3 x 35mm | \$0.40 |
| 826 | GSC-M3-40 | M3 x 40mm | \$0.40 |
| 827 | GSC-M3-LW | Lock washer | \$0.10 |
| 828 | GSC-M3-W | Washer | \$0.10 |
| 829 | GSC-M3-FW | Fender washer | \$0.10 |
| 830 | GSC-M3-N | Nut | \$0.10 |
| 901 | GSC-M3-LN-ZP-NI | Zinc plated Lock-Nut | \$0.15 |

Tap Plugs

| Quick # | Part # | Description | Price |
|---------|-------------|---------------------|---------|
| 910 | GSC-TAP-G8P | G1/8" Tap plug | \$26.55 |
| 911 | GSC-TAP-G8B | G1/8" Tap bottoming | \$23.75 |
| 963 | GSC-TAP-G4P | G1/4" Tap plug | \$32.00 |
| 964 | GSC-TAP-G4B | G1/4" Tap bottoming | \$32.00 |

#910 G1/8" Plug Tap



#911 G1/8" Bottoming Tap



The Tapping Drill Size for G-1/8 is 11/32", and the Drill Size for G-1/4 is 29/64".

General Fasteners

M3.5

| Quick # | Part # | Description | Price |
|---------|-------------|------------------|--------|
| 912 | GSC-M3.5-6 | M3.5 x 6mm | \$0.75 |
| 942 | GSC-M3.5-10 | M3.5 x 10mm | \$1.20 |
| 943 | GSC-M3.5-16 | M3.5 x 16mm | \$1.20 |
| 965 | GSC-M3.5-20 | M3.5 x 20mm | \$0.80 |
| 796 | GSC-M3.5-LW | M3.5 Lock washer | \$0.20 |

M4

| Quick # | Part # | Description | Price |
|---------|-----------------|----------------------|--------|
| 831 | GSC-M4-5 | M4 x 5mm | \$0.20 |
| 832 | GSC-M4-6 | M4 x 6mm | \$0.20 |
| 833 | GSC-M4-8 | M4 x 8mm | \$0.20 |
| 834 | GSC-M4-10 | M4 x 10mm | \$0.20 |
| 835 | GSC-M4-12 | M4 x 12mm | \$0.20 |
| 836 | GSC-M4-14 | M4 x 14mm | \$0.20 |
| 837 | GSC-M4-16 | M4 x 16mm | \$0.20 |
| 838 | GSC-M4-18 | M4 x 18mm | \$0.20 |
| 839 | GSC-M4-20 | M4 x 20mm | \$0.20 |
| 840 | GSC-M4-22 | M4 x 22mm | \$0.25 |
| 841 | GSC-M4-25 | M4 x 25mm | \$0.25 |
| 842 | GSC-M4-30 | M4 x 30mm | \$0.25 |
| 843 | GSC-M4-35 | M4 x 35mm | \$0.25 |
| 844 | GSC-M4-40 | M4 x 40mm | \$0.25 |
| 845 | GSC-M4-50 | M4 x 50mm | \$0.50 |
| 846 | GSC-M4-LW | Lock washer | \$0.15 |
| 847 | GSC-M4-W | Washer | \$0.10 |
| 848 | GSC-M4-FW | Fender washer | \$0.10 |
| 849 | GSC-M4-N | Nut | \$0.10 |
| 902 | GSC-M4-LN-ZP-NI | Zinc plated Lock-Nut | \$0.15 |

M5

| Quick # | Part # | Description | Price |
|---------|-----------------|----------------------|--------|
| 850 | GSC-M5-6 | M5 x 6mm | \$0.20 |
| 851 | GSC-M5-8 | M5 x 8mm | \$0.20 |
| 852 | GSC-M5-10 | M5 x 10mm | \$0.20 |
| 971 | GSC-M5-10LH | M5 x 10 Low head | \$0.25 |
| 853 | GSC-M5-12 | M5 x 12mm | \$0.20 |
| 972 | GSC-M5-12LH | M5 x 12 Low head | \$0.25 |
| 854 | GSC-M5-14 | M5 x 14mm | \$0.20 |
| 855 | GSC-M5-16 | M5 x 16mm | \$0.20 |
| 973 | GSC-M5-16LH | M5 x 16 Low head | \$0.25 |
| 856 | GSC-M5-18 | M5 x 18mm | \$0.20 |
| 857 | GSC-M5-20 | M5 x 20mm | \$0.20 |
| 974 | GSC-M5-20LH | M5 x 20 Low head | \$0.25 |
| 858 | GSC-M5-22 | M5 x 22mm | \$0.25 |
| 859 | GSC-M5-25 | M5 x 25mm | \$0.25 |
| 860 | GSC-M5-30 | M5 x 30mm | \$0.25 |
| 861 | GSC-M5-35 | M5 x 35mm | \$0.25 |
| 862 | GSC-M5-40 | M5 x 40mm | \$0.30 |
| 863 | GSC-M5-45 | M5 x 45mm | \$0.30 |
| 864 | GSC-M5-50 | M5 x 50mm | \$0.35 |
| 904 | GSC-M5-60 | M5 x 60mm | \$0.40 |
| 865 | GSC-M5-LW | Lock washer 0.6 | \$0.15 |
| 866 | GSC-M5-LWT | Lock washer 1.0 | \$0.20 |
| 867 | GSC-M5-W | Washer | \$0.10 |
| 868 | GSC-M5-FW | Fender washer | \$0.10 |
| 869 | GSC-M5-N | Nut | \$0.10 |
| 870 | GSC-M5-LN | Lock nut | \$1.00 |
| 903 | GSC-M5-LN-ZP-NI | Zinc plated Lock-Nut | \$0.15 |

M6

| Quick # | Part # | Description | Price |
|---------|------------|-------------------|--------|
| 871 | GSC-M6-10 | M6 x 10mm | \$0.20 |
| 872 | GSC-M6-12 | M6 x 12mm | \$0.20 |
| 873 | GSC-M6-14 | M6 x 14mm | \$0.20 |
| 874 | GSC-M6-16 | M6 x 16mm | \$0.20 |
| 875 | GSC-M6-18 | M6 x 18mm | \$0.20 |
| 876 | GSC-M6-20 | M6 x 20mm | \$0.25 |
| 877 | GSC-M6-22 | M6 x 22mm | \$0.25 |
| 878 | GSC-M6-25 | M6 x 25mm | \$0.30 |
| 879 | GSC-M6-30 | M6 x 30mm | \$0.35 |
| 880 | GSC-M6-LW | Lock washer | \$0.15 |
| 881 | GSC-M6-LWT | Thick lock washer | \$0.20 |
| 882 | GSC-M6-W | Washer | \$0.15 |
| 883 | GSC-M6-FW | Fender washer | \$0.15 |
| 884 | GSC-M6-N | Nut | \$0.15 |
| 885 | GSC-M6-LN | Lock nut | \$1.00 |

M8

| Quick # | Part # | Description | Price |
|---------|------------|-------------------|--------|
| 886 | GSC-M8-10 | M8 x 10mm | \$0.70 |
| 887 | GSC-M8-12 | M8 x 12mm | \$0.55 |
| 888 | GSC-M8-16 | M8 x 16mm | \$0.55 |
| 889 | GSC-M8-18 | M8 x 18mm | \$0.65 |
| 890 | GSC-M8-20 | M8 x 20mm | \$0.65 |
| 891 | GSC-M8-22 | M8 x 22mm | \$0.65 |
| 892 | GSC-M8-25 | M8 x 25mm | \$0.65 |
| 893 | GSC-M8-30 | M8 x 30mm | \$0.70 |
| 894 | GSC-M8-LW | Lock Washer | \$0.20 |
| 895 | GSC-M8-LWT | Thick lock washer | \$0.25 |
| 896 | GSC-M8-W | Washer | \$0.20 |
| 897 | GSC-M8-FW | Fender washer | \$0.20 |
| 898 | GSC-M8-N | Nut | \$0.15 |
| 899 | GSC-M8-LN | Lock nut | \$1.25 |

M10

| Quick # | Part # | Description | Price |
|---------|------------|-----------------|--------|
| 945 | GSC-M10-20 | M10 x 20mm SHCS | \$1.20 |
| 946 | GSC-M10-25 | M10 x 25mm SHCS | \$1.20 |
| 947 | GSC-M10-30 | M10 x 30mm SHCS | \$1.20 |

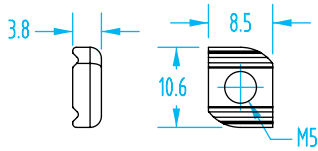
Specialty Fasteners

| Quick # | Part # | Description | Price |
|---------|--------------|-------------------------------|--------|
| 905 | GSC-N-G8 | G1/8" Jam nut | \$1.00 |
| 914 | GSC-M6-TN | M6x1 Jam nut | \$0.15 |
| 915 | GSC-M8-TN | M8x1.25 Jam nut | \$0.15 |
| 948 | GSC-M10-LW | G1/8" & M10 Thin lock washer | \$0.25 |
| 949 | GSC-M10-LWT | G1/8" & M10 Thick lock washer | \$0.40 |
| 908 | GSC-M10-TN | M10x1 Jam nut | \$0.35 |
| 1703 | GSV-M12NUT | M12x1 Nut | \$0.37 |
| 975 | GSC-M12-LW | M12 Thin lock washer | \$0.40 |
| 2347 | GSC-M14-LW | M14 Thin lock washer | \$0.40 |
| 917 | GSC-M15x1-TN | M15x1 Jam nut | \$1.30 |
| 906 | GSC-N-M16 | M16x1 Jam nut | \$1.50 |
| 939 | GSC-M16-LW | M16 Thin lock washer | \$0.60 |
| 944 | GSC-M16-LWT | M16 Thick lock washer | \$0.75 |
| 940 | VITE-455 | M17x1 Mounting nut | \$1.00 |
| 928 | GSC-M20-LW | M20 Thin lock washer | \$1.25 |
| 985 | GSC-M25-LW | M25 Thin lock washer | \$2.25 |
| 941 | VITE-456 | M27x1 Mounting Nut | \$2.35 |

Special Fasteners

Gimatic Fasteners

GIMATIC

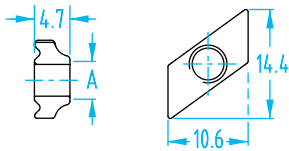


Drop-In Channel Nut

| Quick# | Part# | Price | Wt. |
|--------|---------|--------|-----|
| 7115 | MFI-243 | \$1.20 | 2g |

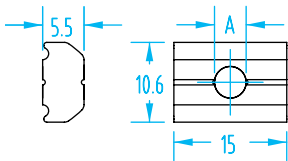
Note: for more info see page 234.

Drop-in & rotate 90° when you need to add to an already assembled EOAT.



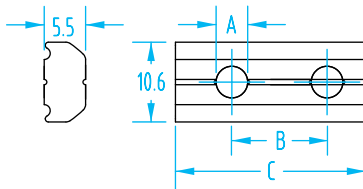
| Quick# | Part# | Price | A | Wt. |
|--------|---------|--------|----|-----|
| 6090 | MFI-490 | \$2.25 | M3 | 2g |
| 6089 | MFI-489 | \$2.25 | M4 | 2g |
| 6088 | MFI-477 | \$2.25 | M5 | 2g |

Drop-in & rotate 90° when you need to add to an already assembled EOAT.



Slotted Nuts

| Quick # | Part # | Price | A | Wt. |
|---------|---------|--------|----|-----|
| 6058 | MFI-177 | \$1.00 | M4 | 5g |
| 6019 | MFI-025 | \$1.00 | M5 | 5g |
| 6059 | MFI-178 | \$1.00 | M6 | 5g |



Slotted Nuts

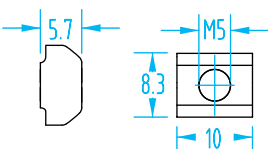
| Quick # | Part # | Price | A | B | C | Wt. |
|---------|---------|--------|----|----|-----|-----|
| 6020 | MFI-003 | \$1.50 | M4 | 8 | 16 | 5g |
| 6021 | MFI-006 | \$1.50 | M5 | 10 | 20 | 7g |
| 6022 | MFI-009 | \$1.50 | M5 | 15 | 25 | 9g |
| 6023 | MFI-148 | \$1.50 | M5 | 17 | 25 | 9g |
| 6024 | MFI-016 | \$1.50 | M5 | 22 | 32 | 11g |
| 6025 | MFI-027 | \$1.50 | M5 | 25 | 35 | 13g |
| 6026 | MFI-055 | \$1.50 | M5 | 28 | 38 | 14g |
| 6027 | MFI-050 | \$1.72 | M5 | 30 | 40 | 15g |
| 6028 | MFI-029 | \$1.72 | M5 | 35 | 45 | 16g |
| 6029 | MFI-020 | \$1.72 | M5 | 40 | 50 | 18g |
| 6030 | MFI-043 | \$1.72 | M5 | 50 | 60 | 22g |
| 6031 | MFI-022 | \$1.72 | M5 | 60 | 70 | 26g |
| 6032 | MFI-045 | \$1.72 | M5 | 90 | 100 | 38g |



Gimatic Replacement Washers Slotted Nuts

| Quick# | Part# | Price | Description | Corresponding Channel Nut |
|--------|---------|--------|--|---------------------------|
| 7659 | MFI-002 | \$0.70 | M4 Flat Washer, Ø8mm centers, Ø16mm OAL | MFI-003; Quick# 6020 |
| 7660 | MFI-005 | \$1.00 | M5 Flat Washer, Ø10mm centers, Ø20mm OAL | MFI-006; Quick# 6021 |
| 7661 | MFI-008 | \$0.77 | M5 Flat Washer, Ø15mm centers, Ø25mm OAL | MFI-009; Quick# 6022 |

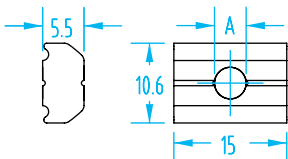
>ASS< Fasteners



Drop-In Channel Nuts (Steel chromated)

| Quick# | Part# | >ASS< # | Price | ØA | Wt. | Use with: |
|--------|-----------|-------------|--------|----|-----|-----------------|
| 3853 | GWP-EX3-U | 1-056-32-01 | \$2.10 | M3 | 2g | L, X, J profile |
| 3854 | GWP-EX4-U | 1-056-42-01 | \$2.10 | M4 | 2g | L, X, J profile |
| 3032 | GWP-EX5-U | 1-056-52-01 | \$3.68 | M5 | 2g | L, X, J profile |

Drop-in & rotate 90° when you need to add to an already assembled EOAT.



Slotted Nuts (Steel / zinc coated)

| Quick# | Part# | >ASS< # | Price | ØA | Wt. | Use with: |
|--------|---------|-------------|--------|----|------|-----------------|
| 3846 | GWP-3-U | 1-058-31-15 | \$2.10 | M3 | 5g | L, X, J profile |
| 3029 | GWP4L/X | 1-058-41-15 | \$2.10 | M4 | 5.3g | L, X, J profile |
| 3030 | GWP5X | 1-058-51-15 | \$2.10 | M5 | 5g | L, X, J profile |
| 3031 | GWP6U | 1-058-61-18 | \$2.10 | M6 | 4.7g | L, X, J profile |

See page 266 for more information about 80/20 nuts and bolts



| Quick# | Part# | Description | Price |
|---------------------------------------|---------------|---|----------------------------|
| Nut and Screw Assemblies | | | (25 per pack) |
| 4934 | GSC-8020-4934 | 1/4"-20 x 1/2" BHSCS & Economy T-Nut (1" long) | \$16.50 |
| 4935 | GSC-8020-4935 | 1/4"-20 x 1/2" BHSCS & Standard T-Nut (1/2" long) | \$37.50 |
| 4936 | GSC-8020-4936 | M6 x 12mm BHSCS & Economy T-Nut (1" long) | \$21.75 |
| 4937 | GSC-8020-4937 | M6 x 12mm BHSCS & Economy T-Nut (15mm long) | \$24.25 |
| 4938 | GSC-8020-4938 | M6 x 12mm BHSCS & Standard T-Nut (1/2" long) | \$49.50 |
| Screws | | | (25 per pack) |
| 4949 | GSC-8020-4949 | 1/4"-20 x 1/2" BHSCS | \$8.50 |
| 4939 | GSC-8020-4939 | M5 x 10mm BHSCS | \$12.50 |
| 4940 | GSC-8020-4940 | M5 x 12mm BHSCS | \$13.00 |
| 4941 | GSC-8020-6310 | M6 x 10mm BHSCS | \$10.00 |
| 4942 | GSC-8020-6312 | M6 x 12mm BHSCS | \$13.50 |
| 4943 | GSC-8020-6314 | M6 x 14mm BHSCS | \$14.75 |
| 4944 | GSC-8020-6316 | M6 x 16mm BHSCS | \$14.00 |
| 4945 | GSC-8020-6318 | M6 x 18mm BHSCS | \$15.00 |
| 4946 | GSC-8020-6320 | M6 x 20mm BHSCS | \$14.75 |
| Economy T-Nuts | | | (25 per pack) |
| 4947 | GSC-8020-4947 | 1/4"-20 Economy T-Nut (1" long) | \$8.00 |
| 4948 | GSC-8020-4948 | M6 Economy T-Nut (1" long) | \$10.50 |
| 4928 | GSC-8020-4124 | M6 Economy T-Nut (15mm long) | \$12.00 |
| Double / Triple Economy T-Nuts | | | |
| 4911 | GSC-8020-3280 | 1/4"-20 Economy T-Nut – Double (1" hole spacing) | \$1.00 (each) |
| 4912 | GSC-8020-3800 | M6 Economy T-Nut – Double (1" hole spacing) | \$0.78 (each) |
| 4913 | GSC-8020-3287 | 1/4"-20 Economy T-Nut – Triple (1" hole spacing) | \$1.16 (each) |
| 4914 | GSC-8020-3900 | M6 Economy T-Nut – Triple (1" hole spacing) | \$1.21 (each) |
| Standard T-Nuts | | | (25 per pack) |
| 4950 | GSC-8020-4950 | 1/4"-20 | \$29.00 |
| 4951 | GSC-8020-4951 | M5 | \$36.00 |
| 4952 | GSC-8020-4952 | M6 | \$36.00 |
| T-Nuts for EOAT Brackets | | | |
| 4929 | GSC-8020-4929 | M6 Standard T-Nut (25mm long) (15mm hole spacing) | Click HERE |
| 4930 | GSC-8020-4930 | M6 Standard T-Nut (30mm long) (20mm hole spacing) | Click HERE |
| 4931 | GSC-8020-4931 | M6 Standard T-Nut (35mm long) (25mm hole spacing) | Click HERE |
| 4932 | GSC-8020-4932 | M6 Standard T-Nut (40mm long) (30mm hole spacing) | Click HERE |
| 4933 | GSC-8020-4933 | M6 Standard T-Nut (50mm long) (40mm hole spacing) | Click HERE |
| Roll-In T-Nuts | | | |
| 4918 | GSC-8020-3376 | 1/4"-20 | \$2.44 (each) |
| 4919 | GSC-8020-3875 | M5 | \$2.51 (each) |
| 4920 | GSC-8020-3876 | M6 | \$2.51 (each) |