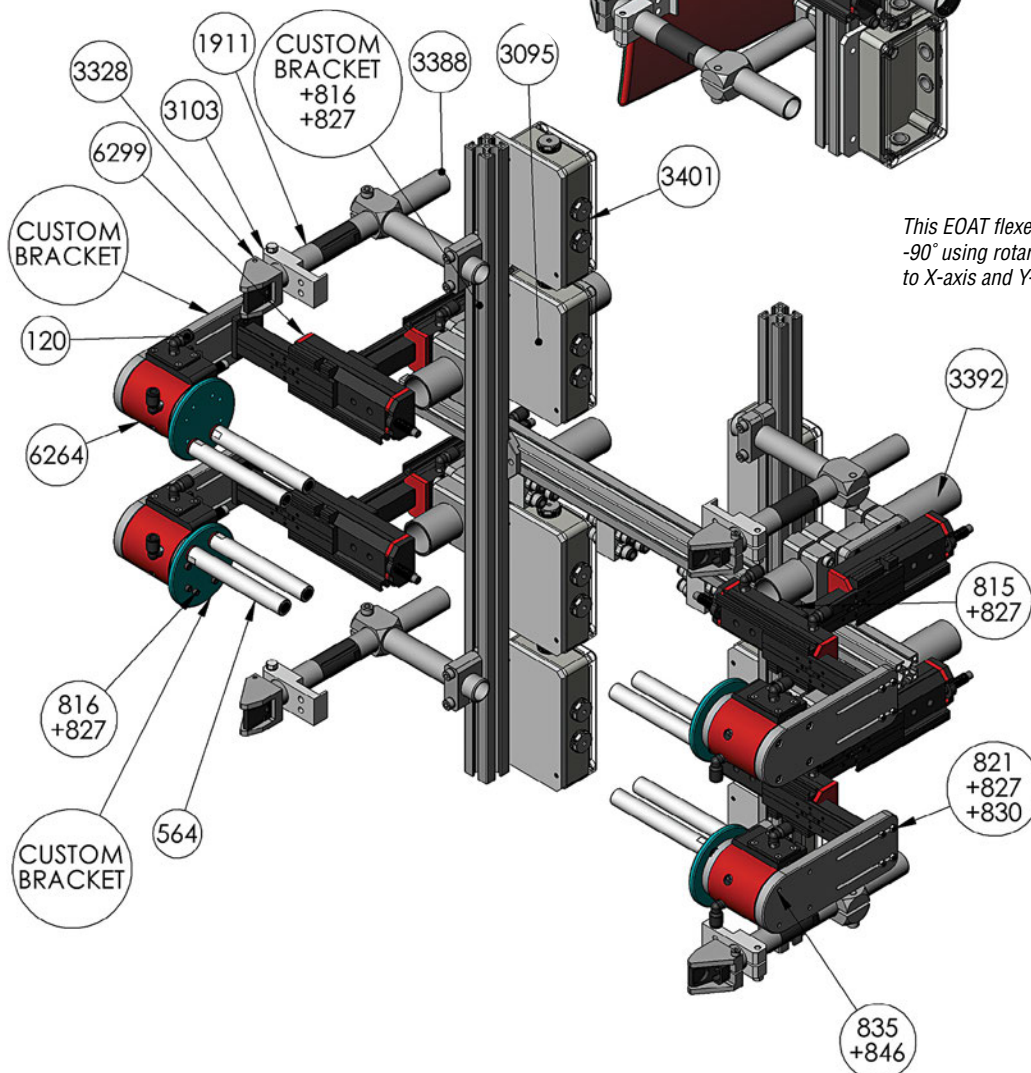
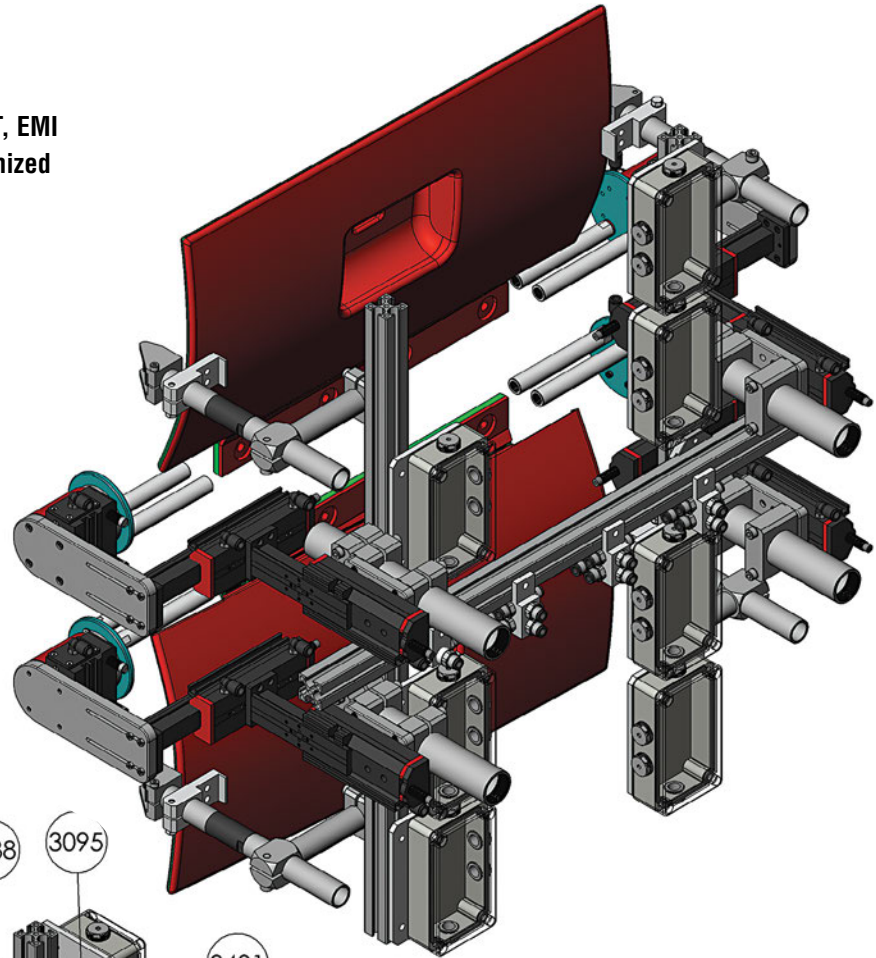


## EOAT Design and Build Service

From the simplest to the most complex EOAT, EMI specializes in designing and building customized End-of-Arm-Tooling— **Priced Competitively.**

Get started by sending us a sample part or 3D part file and a completed datasheet (see page 1082). Our experienced EOAT engineers will design a tool for you and provide you 3D CAD renderings at no cost or obligation. We'll also provide pricing for the tool should you want to purchase the EOAT completely assembled.



*This EOAT flexes a live hinge +90° / -90° using rotary actuators mounted to X-axis and Y-axis linear slides.*

**Section Overview**

**Design Assistance** p.1082

**Design Assistance Datasheets** p.1084

**Metric Conversions** p.1086

**Quick # Index** p.1088

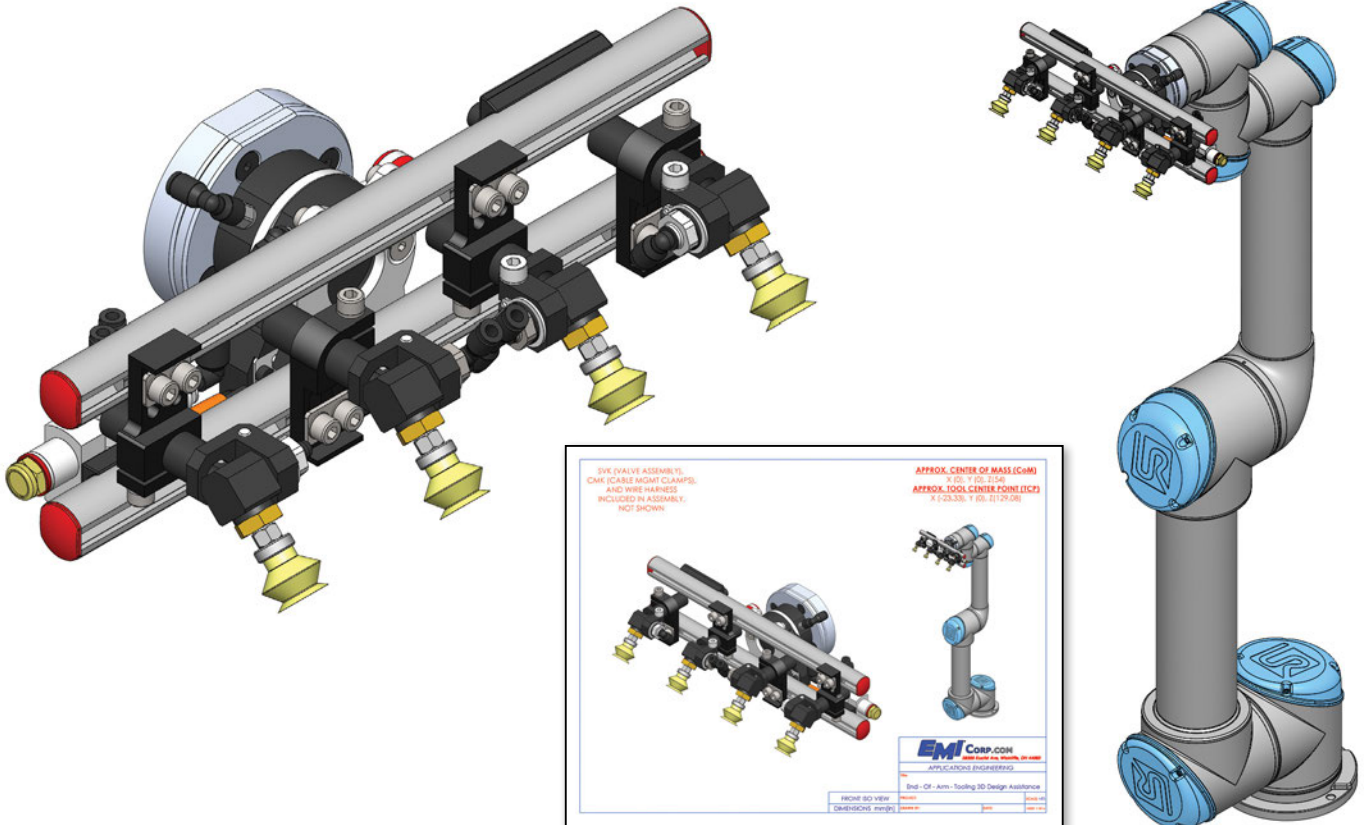
**Part # Index** p.1100

**Credit Application** p.1116

**Terms & Conditions** p.1118

**Custom EOAT from EMI**

Our extensive stock of framing components engineered for use by injection molders along with the broadest offering of cups, grippers, and everything needed in between, make EMI a one stop destination for robotic end effector / end-of-arm tooling builders.



## EOAT Design and Build Service

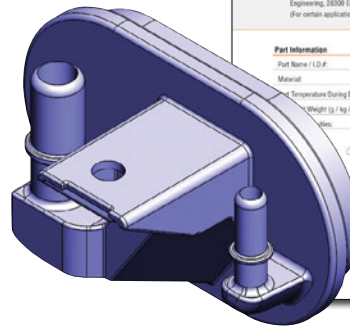
From the simplest to the most complex tooling, our EOAT engineers can design a tooling to suit your specific application.

Save time and money. Have EMI's experienced EOAT engineers design your end-of-arm-tooling. You'll get 3D CAD renderings of the design at no cost or obligation. We'll also provide pricing for the tool should you want to purchase the EOAT from EMI completely assembled.

1

Send us a sample part, 3D CAD models, and the Datasheet on page 1084.

Click here to download our interactive form, Submit to: [Sales@EMInc.com](mailto:Sales@EMInc.com)



21: ENGINEERING DESIGN ASSISTANCE EMI

**Design Assistance Datasheet**  
\*All fields are required

<p><b>Customer Information</b></p> <p>Company Name: _____</p> <p>Contact: _____</p> <p>Address: _____</p> <p>City: _____ State: _____ Zip Code: _____</p> <p>Telephone: _____</p> <p>Email: _____</p> <p>In this address: <input type="checkbox"/> Bill to <input type="checkbox"/> Ship to <input type="checkbox"/> Both</p>	<p><b>Check One:</b></p> <p><input type="checkbox"/> I'm interested in receiving EMI's Complete EOAT Design Service and quote.</p> <p><input type="checkbox"/> I'm currently evaluating EOAT design services and a free quote price. Lead time for this service is dependent on complexity and workload.</p> <p><input type="checkbox"/> In a hurry? Ask about EMI's new Quick Quote service and whether it is appropriate for your EOAT project. (Check Quotes don't include 3D renderings.)</p> <p><input type="checkbox"/> This includes a general description of the EOAT including main components and preliminary pricing. Before we enter the formal design stage for this project, more details and information (3D and 2D files, technical data, etc.) are normally required. If new data results in significant deviation from the design outlined in the preliminary quote we will require a re-estimate of the design and budget estimate will be necessary.</p>
<p><b>Required Items:</b></p> <p>Send this completed Datasheet to: <a href="mailto:EOAEngineering@EMInc.com">EOAEngineering@EMInc.com</a></p> <p>Send a 3D solid model of your part in STEP (.stp) or Parasolid (.x_t) file format to: <a href="mailto:EOAEngineering@EMInc.com">EOAEngineering@EMInc.com</a></p> <p>For larger file sizes we can provide an upload link to our secure FTP site. (If a 3D part file is not available, then a 2D file will be helpful with some dimensions)</p> <p>If available, send sample parts and inserts. (If applicable to EMI EOAT Engineering, 28000 Euclid Ave., Wickliffe, Ohio 44099. (For certain applications samples may be mandatory).)</p>	<p><b>Optional Maintenance Kit</b></p> <p><input type="checkbox"/> I would like a Maintenance Kit for this EOAT.</p> <p><small>A maintenance kit includes separate items such as vacuum tank seals, air-pressed components, O-rings, etc.</small></p>
<p><b>Part Information</b></p> <p>Part Name / I.D.#: _____</p> <p>Material: _____</p> <p>Temperature During Operation (°C / °F): _____</p> <p>Weight (g / kg / lbs): _____</p> <p>Notes: _____</p> <p><input type="checkbox"/> Finished <input type="checkbox"/> To be Plated</p>	<p><b>Application Type</b></p> <p><b>Check all that apply:</b></p> <p><input type="checkbox"/> Part(s) Picking</p> <p><input type="checkbox"/> Spray / Rinsing Picking</p> <p><input type="checkbox"/> Depalleting</p> <p><input type="checkbox"/> Maximum Allowable Voltage (volts): _____</p> <p><input type="checkbox"/> Insert Loading</p> <p><input type="checkbox"/> Other* (Please Specify): _____</p>

\*Additional information may be required

If submitted along with the 3D/2D data and/or samples, we will place your project in our engineering queue. If contact you if any additional information is required. We will not place an application in our design queue until when it is possible to start a design. The lead time is dependent on complexity and workload.

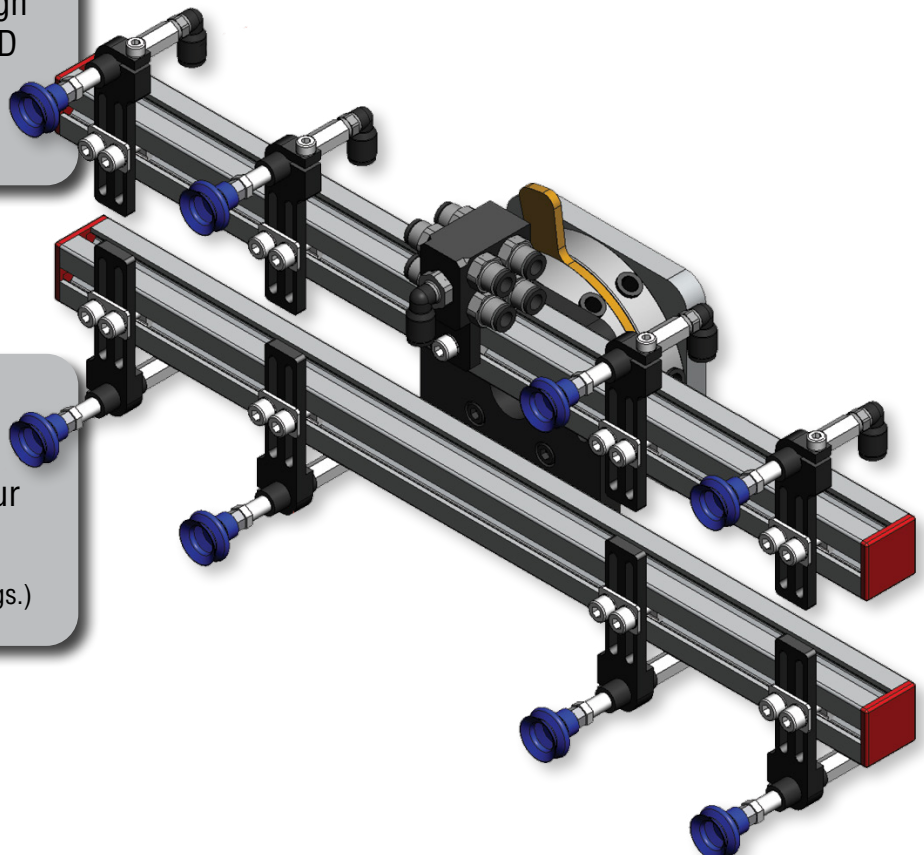
2a

As part of EMI's Complete Design service we will send you 3D CAD renderings of the tool design and pricing.

2b

In a hurry? Ask about EMI's new Quick Quote service and whether it is appropriate for your EOAT project.

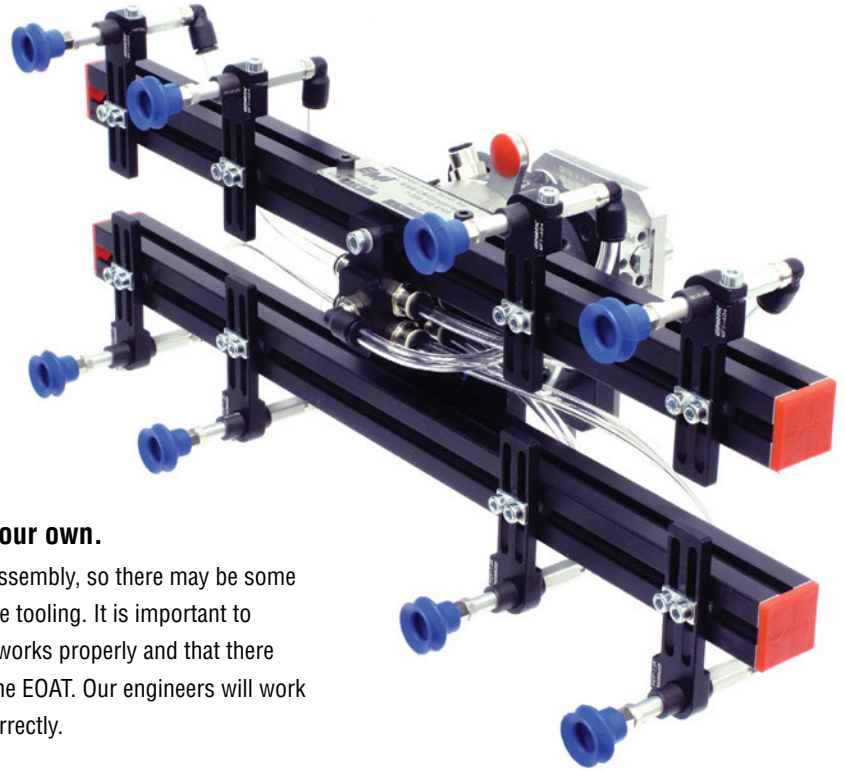
(Quick Quotes don't include 3D renderings.)



**EOAT Design and Build Service**

3

Have EMI provide you with the complete tool, fully assembled and ready to mount on your robot. Or purchase the components and assemble the tool yourself.



**Building it yourself doesn't mean you are on your own.**

Design assistance is meant to suggest a possible design assembly, so there may be some tweaks or modifications to be made once you have built the tooling. It is important to carefully test the EOAT at the machine to be certain that it works properly and that there are no interferences that may damage either the mold or the EOAT. Our engineers will work with you to make sure your tooling is built and working correctly.

**EOAT Build Service**

**Get expert assembly by EMI and save time!**

Get the benefit of a reliable, professionally built EOAT when you have EMI's experienced technicians assemble your tool. Many customers find EMI's complete design and build service is the most economical solution. Take the complete EOAT out of the box and install it on your robot.

*Note: The assembled EOAT is tested before it leaves our facility; however, final adjustments may still need to be made once it has been installed on the robot.*

**Request a Maintenance Kit for your EOAT Build!**

Check the Optional Maintenance Kit box on our EOAT Design Assistance Datasheet and common replacement items will be included with your EOAT.

Commonly requested spare parts include: Vacuum cups, gripper fingers, finger pads, 3D printed components, sensors, fittings, suspensions, and tubing.



## Design Assistance Datasheet

**\*All fields are required**

### Customer Information

Company Name: \_\_\_\_\_

Contact: \_\_\_\_\_

Address: \_\_\_\_\_

City: \_\_\_\_\_ State: \_\_\_\_\_ Zip Code: \_\_\_\_\_

Telephone: \_\_\_\_\_

Email: \_\_\_\_\_

Is this address:  Bill to  Ship to  Both

### Required Items:

- Send this completed Datasheet to: EOATengineering@EMlcorp.com
- Send a 3D solid model of your part in STEP (.step) or Parasolid (.x\_t) file format to: EOATengineering@EMlcorp.com  
For larger file sizes we can provide an upload link to our secure FTP site.  
(If a 3D part file is not available, then a 2D file will be helpful with some dimensions)
- If available, send sample parts and inserts (if applicable) to: EMI EOAT Engineering, 28300 Euclid Ave. Wickliffe, Ohio 44092  
(For certain applications samples may be mandatory)

### Check One:

- I'm interested in receiving EMI's Complete EOAT Design Service and quote.  
*This typically includes detailed 3D CAD renderings and a firm quoted price. Lead time for this service is dependent on complexity and workload.*
- In a hurry? Ask about EMI's new Quick Quote service and whether it is appropriate for your EOAT project. (Quick Quotes don't include 3D renderings.)  
*This includes a general description of the EOAT outlining main components and budgetary pricing. Before we enter the formal design stage for this project, more details and information (3D part files, sample parts, etc.) are normally required. If new info results in significant deviation from the design outlined in the budgetary quote will require a reconsideration of the design and budgetary estimate will be necessary.*

### Optional Maintenance Kit

- I would like a Maintenance Kit for this EOAT.  
*A maintenance kit includes wearable items such as vacuum cups, pads, 3D printed components, fingers, etc.*

### Part Information

Part Name / I.D.#: \_\_\_\_\_

Material: \_\_\_\_\_

Part Temperature During Ejection (°C / °F): \_\_\_\_\_

Total Shot Weight (g / kg / lbs): \_\_\_\_\_

Number of Cavities: \_\_\_\_\_

Part Finish:



Smooth



Textured



To be Painted

### Application Type

#### Check all that apply:

- Part(s) Picking
- Sprue / Runner Picking
- Degating\*

Maximum Allowable Vestige (mm/in): \_\_\_\_\_

- Insert Loading\*
- Other\* (Please Specify):

*\*Additional information may be requested*

### What to Expect from EMI:

Once we receive this completed datasheet along with the 3D/2D data and/or samples, we will place your project in our engineering queue. Our engineering department will contact you if any additional information is required. We will not place an application in our design queue until we determine sufficient information is available to start a design. The lead time is dependent on complexity and workload.

# Design Assistance Datasheet

## Mold Information

Cycle Time: \_\_\_\_\_

Sprue / Runner Present?  Yes  No

Is the Sprue/Runner Attached to Parts After Ejection?

Yes  No

Upon Ejection, do Parts & Runners?

Stick on Ejector Pins  Sag  Fall

Will EOAT Drop Parts & Runners?  Together  Separately

Any Force, Twisting, Bending, Lifting Required to Remove Parts?

Yes\*  No

*\*Engineer will contact you to discuss. Any pictures or video you can provide would be appreciated*

## Robot Information

Robot Manufacturer: \_\_\_\_\_

Robot Type:  3-axis  3-axis Servo  6-axis  Sprue Picker

Robot Entry:  Top  Side

Robot Maximum Payload Capacity (kg/lbs): \_\_\_\_\_

Do you Require Sensors for Part Verification:  Yes  No

Do you Require Sensors for Sprue/Runner Verification:

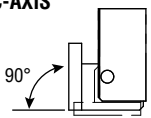
Yes  No

Signal Type:  PNP  NPN

Number of Vacuum Circuits Available: \_\_\_\_\_

Number of Compressed Air Circuits Available: \_\_\_\_\_

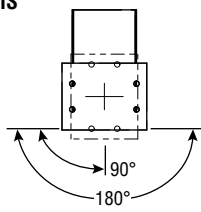
**C-AXIS**



Robot Wrist Flip:

90°  180°  None

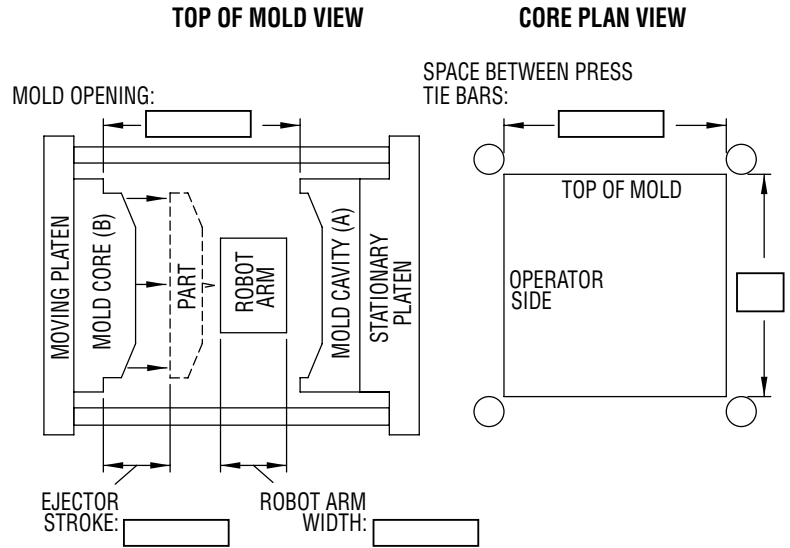
**A-AXIS**



Robot Wrist Rotation:

90°  180°  None

## Mold Clearance



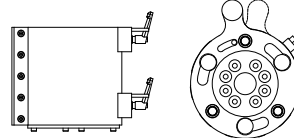
## Robot Mounting

Do you Require a Quick Changer?

**Check all that apply:**

EOAT Side  Robot Side  None

Style:



Dovetail  Gimatic/Senvex  Other:

Quick Changer Model No. / Size:

## Robot Mounting Plate

Please Specify:

EMI to supply finished plate with holes drilled to fit my robot (2D Drawing Required)

EMI to supply blank plate, I will drill holes.

## Notes:

## Metric Conversions

METRIC CONVERSIONS					
<b>Length</b>					
inches	x	25.4	=	mm	÷ 25.4 = inches
ft	x	304.8	=	mm	÷ 304.8 = ft
ft	x	0.3048	=	meter	÷ 0.3048 = ft
<b>Pressure</b>					
psi	x	0.06895	=	bar	÷ 0.06895 = psi
psi	x	68.947	=	mbar	÷ 68.947 = psi
psi	x	6.895	=	kPa	÷ 6.895 = psi
psi	x	0.0069	=	MPa	÷ 0.0069 = psi
psi	x	0.6895	=	N/cm <sup>2</sup>	÷ 0.6895 = psi
psi	x	6894.76	=	Pa, N/m <sup>2</sup>	÷ 6894.76 = psi
psi	x	2.036	=	in Hg	÷ 2.036 = psi
psi	x	51.715	=	mm Hg	÷ 51.715 = psi
psi	x	51.715	=	Torr	÷ 51.715 = psi
psi	x	0.0703	=	Kgf/cm <sup>2</sup>	÷ 0.0703 = psi
psi	x	0.06805	=	atm	÷ 0.06805 = psi
bar	x	14.5038	=	psi	÷ 14.5038 = bar
bar	x	1000	=	mbar	÷ 1000 = bar
bar	x	100	=	kPa	÷ 100 = bar
bar	x	0.1	=	MPa	÷ 0.1 = bar
bar	x	10	=	N/cm <sup>2</sup>	÷ 10 = bar
bar	x	100000	=	Pa, N/m <sup>2</sup>	÷ 100000 = bar
bar	x	29.53	=	in Hg	÷ 29.53 = bar
bar	x	750.062	=	mm Hg	÷ 750.062 = bar
bar	x	750.062	=	Torr	÷ 750.062 = bar
bar	x	1.0197	=	Kgf/cm <sup>2</sup>	÷ 1.0197 = bar
bar	x	0.9869	=	atm	÷ 0.9869 = bar
<b>Vacuum</b>					
% Vacuum	x	-0.01	=	bar	÷ -0.01 = % Vacuum
% Vacuum	x	-0.147	=	psi	÷ -0.147 = % Vacuum
% Vacuum	x	-0.2992	=	in Hg	÷ -0.2992 = % Vacuum
% Vacuum	x	-7.6923	=	mm Hg	÷ -7.6923 = % Vacuum
<b>Force</b>					
lbf	x	453.6	=	gf	÷ 453.6 = lbf
lbf	x	0.4536	=	kgf	÷ 0.4536 = lbf
lbf	x	4.4482	=	N	÷ 4.4482 = lbf
N	x	0.10197	=	kgf	÷ 0.10197 = N
<b>Torque</b>					
ft-lb	x	1.3559	=	Nm	÷ 1.3559 = ft-lb
ft-lb	x	135.59	=	Ncm	÷ 135.59 = ft-lb
ft-lb	x	0.1383	=	kgf-m	÷ 0.1383 = ft-lb
ft-lb	x	13825	=	gf-cm	÷ 13825 = ft-lb
ft-lb	x	12	=	in lb	÷ 12 = ft-lb
Nm	x	0.10197	=	kgf-m	÷ 0.10197 = Nm
Nm	x	100	=	Ncm	÷ 100 = Nm
<b>Flow Rate</b>					
SCFM (ft <sup>3</sup> /min)	x	28.57	=	L/min	÷ 28.57 = SCFM (ft <sup>3</sup> /min)
SCFM	x	1.699	=	m <sup>3</sup> /h	÷ 1.699 = SCFM
<b>Weight</b>					
oz	x	28.329	=	g	÷ 28.329 = oz
lb	x	0.4536	=	kg	÷ 0.4536 = lb
<b>Temperature</b>					
(°F - 32)	x	0.555	=	°C	
		(°C x 1.8)	+	32	= °F
<b>Volume</b>					
gallons	x	0.134	=	cubic ft	÷ 0.134 = gallons
in <sup>3</sup>	x	16387.1	=	mm <sup>3</sup>	÷ 16387.1 = in <sup>3</sup>
in <sup>3</sup>	x	16.3871	=	cm <sup>3</sup> (cc)	÷ 16.3871 = in <sup>3</sup>
ft <sup>3</sup>	x	0.0283	=	m <sup>3</sup>	÷ 0.0283 = ft <sup>3</sup>
ft <sup>3</sup>	x	28.329	=	liter	÷ 28.329 = ft <sup>3</sup>

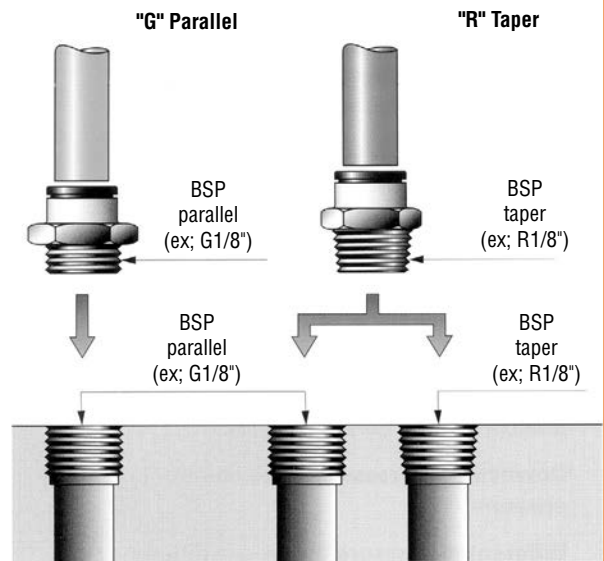
## Thread Compatibility

### What is G1/8" thread?

G1/8" thread is a British Standard Pipe (BSP) specification. It is used throughout Europe and is frequently used in conjunction with metric M threads. It comes to North American robot end-of-arm tooling via the presence of European robot suppliers.

Specifically, G1/8" is a parallel thread having 28 threads per inch. Sealing is ensured by an O-ring or washer ring. (1/8" NPT is a tapered thread with 27 threads per inch.) See adaptor fittings on page 1068. G1/8" taps are available on page 1076.

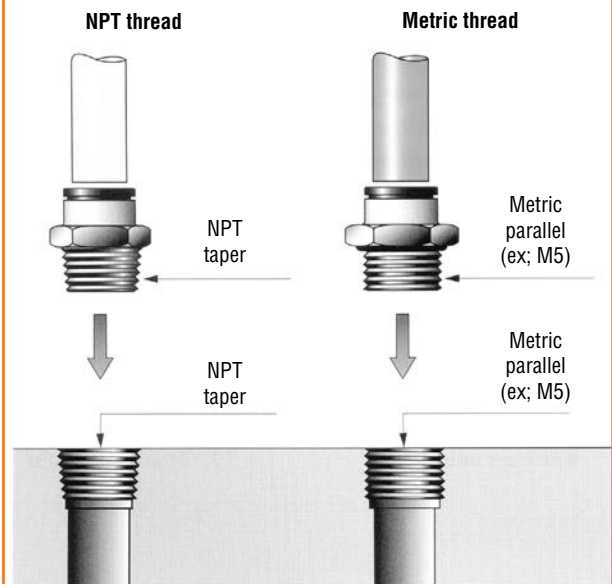
#### BSP thread (British Standard Pipe)



Note: Older usage can be as follows: Rp = parallel, Rc = taper

**Special Note:** M5 fits with 10-32 UNF.

**NPT thread is not compatible with G, M or R type threads**



## More Conversion Charts

### Pressure conversion table

	<i>psi</i>	<i>Atm</i>	<i>bar</i>	<i>kg/cm<sup>2</sup></i>	<i>m H<sub>2</sub>O</i>	<i>cm Hg</i>	<i>kPa</i>
1 <i>psi</i>	1	0.07	0.069	0.07	0.7	5.145	6.9
1 <i>Atm</i>	14.2	1	0.981	1	10	73.6	98
1 <i>bar</i>	14.5	1.02	1	1.02	10.2	74.9	100
1 <i>kg/cm<sup>2</sup></i>	14.2	1	0.981	1	10	73.6	98
1 <i>m H<sub>2</sub>O</i>	1.42	0.1	0.098	0.1	1	7.36	9.8
73.6 <i>cm Hg</i>	14.2	1	0.981	1	10	73.6	98
1 <i>kPa</i>	0.145	0.0102	0.01	0.0102	0.102	0.759	1

### Temperature conversion table

<b>CELSIUS °C</b>	<b>KELVIN K</b>	<b>FAHRENHEIT °F</b>
(Fahrenheit - 32) x 5/9	Celsius + 273.15	(Celsius x 1.8) +32
Kelvin - 273.15	(Fahrenheit x 5/9) +255.37	(Kelvin - 255.37) x 1.8
(Rankine x 5/9) - 273.15	Rankine x 5/9	Rankine - 459.67

### Unit of measurement conversion table

Unit	Symbol	Unit SI	Conversion ratio <sup>*</sup>
<b>Length</b>			
1 inch	<i>in</i>	2.54 <i>cm</i>	0.393
1 foot = 12 in	<i>ft</i>	30.48 <i>cm</i>	0.032
1 yard = 3 feet	<i>yd</i>	0.9144 <i>m</i>	1.093
1 mile	<i>mi</i>	1.609 <i>km</i>	0.621
<b>Surface</b>			
1 square inch	<i>sq in</i>	6.451 <i>cm<sup>2</sup></i>	0.155
1 square foot=144 sq in	<i>sq ft</i>	929.03 <i>cm<sup>2</sup></i>	1.076x10 <sup>-3</sup>
1 square mile	<i>sq mi</i>	2.590 <i>km<sup>2</sup></i>	0.386
<b>Volume</b>			
1 cubic inch	<i>cu in</i>	16.387 <i>cm<sup>3</sup></i>	0.061
1 cubic foot=1728 cu in	<i>cu ft</i>	28.317 <i>dm<sup>3</sup></i>	0.035
1 fluid ounce (GBr)	<i>fl oz</i>	0.028 <i>dm<sup>3</sup></i>	35.195
1 fluid ounce (USA)	<i>fl oz</i>	0.029 <i>dm<sup>3</sup></i>	33.813
1 quart	<i>liq qt</i>	0.946 <i>dm<sup>3</sup></i>	1.056
1 gallon (GBr)	<i>gal</i>	4.546 <i>dm<sup>3</sup></i>	0.219
1 gallon (USA)	<i>gal</i>	3.785 <i>dm<sup>3</sup></i>	0.264
<b>Mass</b>			
1 grain	<i>gr</i>	64.798 <i>mg</i>	0.015
1 ounce	<i>oz</i>	28.349 <i>g</i>	0.035
1 pound = 16 oz	<i>lb</i>	0.453 <i>kg</i>	2.204
1 long ton = 2240 lb	<i>tn</i>	1.016 <i>kg</i>	9.84x10 <sup>-4</sup>

Unit	Symbol	Unit SI	Conversion ratio <sup>*</sup>
<b>Force</b>			
1 pound - weight	<i>lb wt</i>	4.448 <i>N</i>	0.224
1 pound - force	<i>LB, lbf</i>	4.448 <i>N</i>	0.224
1 kg force	<i>kgf, kgp</i>	9.806 <i>N</i>	0.101
1 ton - force	<i>Ton, tonf</i>	9.964 <i>kN</i>	0.100
<b>Pressure</b>			
1 pound - weight per square inch	<i>lb wt/sq in ppsi, psi</i>	6.894 <i>kN/m<sup>2</sup></i>	0.145
1 pound weight per square foot	<i>lb wt/sq ft ppsf, psf</i>	68.948 <i>mbar</i>	0.014
1 kg-force/sq in	<i>kgf/sq in</i>	47.880 <i>N/m<sup>2</sup></i>	0.020
1 foot of water	<i>ft H<sub>2</sub>O</i>	0.478 <i>mbar</i>	2.088
1 inch of Hg	<i>in Hg</i>	1.520 <i>N/m<sup>2</sup></i>	0.657
1 foot of water	<i>ft H<sub>2</sub>O</i>	0.029 <i>bar</i>	33.455
1 inch of Hg	<i>in Hg</i>	0.033 <i>bar</i>	29.530
<b>Energy</b>			
1 foot pound-weight	<i>ft lb wt</i>	1.355 <i>J</i>	0.737
1foot pound-force	<i>ft Lb, ft lbf</i>	1.355 <i>J</i>	0.737
1 British Thermal Unit	<i>Btu, BTU</i>	1.055 <i>kJ</i>	0.947
	<i>B. th. u.</i>	0.293 <i>Wh</i>	3.412
1 horse-power hour	<i>hph, H Phr</i>	2.684 <i>MJ</i>	0.372
	<i>h. p. hr.</i>	0.745 <i>kWh</i>	1.341

\* Multiply by SI unit to obtain the USA or english unit.



## Quick Number Index

## Quick # ..... Page #

101.....	1047	171.....	1053	256.....	1070	343.....	393	562.....	1065
102.....	1047	172.....	1053	257.....	1070	344.....	393	563.....	1065
103.....	1047	173.....	1053	258.....	383	345.....	392	564.....	1065
104.....	1047	174.....	1053	258.....	1070	346.....	392	573.....	938
105.....	1047	175.....	1053	259.....	1070	347.....	392	574.....	938
106.....	1047	176.....	1053	260.....	1070	348.....	392	575.....	938
107.....	1048	177.....	1054	261.....	1070	349.....	392	582.....	90
108.....	1048	178.....	1054	262.....	1070	350.....	393	584.....	755
109.....	1048	179.....	1054	263.....	1070	353.....	394	585.....	755
110.....	1048	180.....	1054	264.....	1070	354.....	394	589.....	90
111.....	1048	181.....	1054	265.....	1070	355.....	394	590.....	90
112.....	1050	182.....	1054	266.....	1070	356.....	394	591.....	90
113.....	1050	183.....	1054	267.....	1070	357.....	394	600.....	454
114.....	1050	184.....	1051	268.....	1070	358.....	395	601.....	828
115.....	1050	185.....	1051	269.....	1070	361.....	1018	602.....	861
116.....	1050	186.....	1051	270.....	1071	362.....	1018	603.....	828
117.....	1048	187.....	1051	271.....	1071	363.....	1018	604.....	865
118.....	1048	188.....	1055	272.....	1070	365.....	1063	605.....	865
119.....	1048	189.....	1055	273.....	1071	373.....	1015	606.....	828
120.....	1048	190.....	1055	274.....	1071	374.....	1015	607.....	871
121.....	1048	191.....	1055	275.....	1071	375.....	1068	608.....	873
122.....	1048	192.....	1055	276.....	1070	376.....	408	609.....	877
123.....	1049	193.....	1055	277.....	1070	377.....	408	610.....	876
124.....	1049	194.....	1055	278.....	1071	378.....	332	611.....	828
125.....	1049	195.....	1055	279.....	1071	379.....	332	612.....	881
126.....	1049	196.....	1055	280.....	1070	380.....	408	613.....	883
127.....	1049	197.....	1055	281.....	1070	381.....	409	614.....	888
128.....	1051	198.....	1055	282.....	1070	383.....	408	615.....	887
129.....	1051	199.....	1055	283.....	1071	384.....	409	616.....	921
130.....	1051	200.....	1063	284.....	1071	385.....	409	617.....	920
131.....	1051	201.....	1066	285.....	1071	408.....	333	618.....	930
132.....	1051	216.....	1061	286.....	1071	411.....	357	619.....	930
133.....	1049	217.....	1062	287.....	1071	412.....	357	620.....	930
134.....	1049	218.....	1062	288.....	1071	413.....	357	621.....	931
135.....	1049	219.....	1062	289.....	1071	415.....	1069	622.....	931
136.....	1049	220.....	1062	290.....	1071	433.....	1015	623.....	927
137.....	1049	221.....	1068	291.....	1071	443.....	283	624.....	926
138.....	1051	222.....	1069	292.....	1071	444.....	391	625.....	934
139.....	1051	223.....	1069	293.....	1071	445.....	391	626.....	934
140.....	1051	224.....	1069	294.....	1071	446.....	391	627.....	934
141.....	1050	225.....	1069	295.....	1071	447.....	391	628.....	935
142.....	1050	226.....	1069	296.....	1071	448.....	391	629.....	935
143.....	1050	227.....	1069	297.....	1015	449.....	391	630.....	929
144.....	1050	228.....	1069	298.....	1015	450.....	391	631.....	936
145.....	1050	229.....	1068	299.....	1015	451.....	391	632.....	936
146.....	1050	230.....	1068	300.....	1015	454.....	284	633.....	936
147.....	1051	232.....	1068	301.....	1015	455.....	307	634.....	937
148.....	1051	233.....	1068	302.....	1015	457.....	306	635.....	937
149.....	1051	234.....	1068	303.....	1015	458.....	306	636.....	925
150.....	1051	235.....	1069	304.....	1015	459.....	306	637.....	1069
151.....	1051	236.....	1068	305.....	1015	460.....	306	640.....	336
152.....	1051	237.....	1068	306.....	1015	461.....	985	641.....	336
153.....	1051	238.....	1068	307.....	1015	462.....	985	642.....	336
154.....	1052	239.....	1068	308.....	1015	463.....	1071	643.....	337
155.....	1052	240.....	1068	311.....	831	494.....	1068	644.....	337
156.....	1052	241.....	1068	312.....	831	498.....	1068	645.....	337
157.....	1052	242.....	1068	313.....	831	500.....	13	646.....	357
158.....	1052	243.....	1068	314.....	831	501.....	13	651.....	408
159.....	1052	244.....	1068	319.....	1068	502.....	33	651.....	409
160.....	1052	245.....	1069	325.....	393	503.....	33	655.....	409
161.....	1052	246.....	1069	326.....	393	504.....	33	673.....	334
162.....	1053	247.....	1069	333.....	284	544.....	43	674.....	334
163.....	1053	248.....	1069	334.....	307	546.....	502	675.....	334
164.....	1053	249.....	1068	335.....	307	547.....	502	676.....	334
165.....	1053	250.....	424	336.....	283	548.....	502	682.....	334
166.....	1053	251.....	424	337.....	283	549.....	503	683.....	334
167.....	1053	252.....	424	338.....	307	558.....	1064	684.....	335
168.....	1053	253.....	424	339.....	305	559.....	1064	685.....	335
169.....	1053	254.....	425	340.....	305	560.....	1064	686.....	335
170.....	1053	255.....	425	342.....	306	561.....	1065	687.....	335

## Quick Number Index

**Quick # ..... Page #**

688.....	357	813.....	1076	883.....	1077	996.....	179	1097.....	885
689.....	920	814.....	1076	884.....	1077	997.....	179	1098.....	875
690.....	926	815.....	1076	885.....	1077	998.....	179	1099.....	865
691.....	929	816.....	1076	886.....	1077	1002.....	861	1105.....	820
692.....	853	817.....	1076	887.....	1077	1003.....	862	1106.....	820
693.....	853	818.....	1076	888.....	1077	1004.....	865	1109.....	821
694.....	853	819.....	1076	889.....	1077	1005.....	866	1113.....	334
695.....	924	820.....	1076	890.....	1077	1006.....	866	1114.....	334
697.....	885	821.....	1076	891.....	1077	1007.....	871	1115.....	334
698.....	875	822.....	1076	892.....	1077	1008.....	873	1116.....	334
699.....	828	823.....	1076	893.....	1077	1009.....	877	1121.....	334
700.....	82	824.....	1076	894.....	1077	1010.....	876	1122.....	334
704.....	502	825.....	1076	895.....	1077	1012.....	881	1123.....	334
705.....	502	826.....	1076	896.....	1077	1013.....	883	1124.....	334
706.....	503	827.....	1076	897.....	1077	1014.....	888	1125.....	335
707.....	503	828.....	1076	898.....	1077	1015.....	887	1126.....	335
708.....	503	829.....	1076	899.....	1077	1024.....	874	1127.....	335
709.....	502	830.....	1076	901.....	1076	1025.....	875	1128.....	335
710.....	503	831.....	1077	902.....	1077	1026.....	886	1129.....	335
711.....	503	832.....	1077	903.....	1077	1027.....	886	1130.....	335
712.....	503	833.....	1077	904.....	1077	1028.....	876	1131.....	335
713.....	502	834.....	1077	905.....	1077	1035.....	863	1132.....	335
720.....	503	835.....	1077	906.....	1077	1036.....	863	1133.....	336
721.....	503	836.....	1077	908.....	1077	1037.....	867	1134.....	336
722.....	820	837.....	1077	910.....	1076	1038.....	867	1135.....	336
723.....	821	838.....	1077	911.....	1076	1039.....	878	1136.....	336
724.....	821	839.....	1077	912.....	1076	1040.....	878	1137.....	336
725.....	820	840.....	1077	914.....	1077	1041.....	890	1138.....	337
726.....	820	841.....	1077	915.....	1077	1042.....	890	1139.....	337
727.....	558	842.....	1077	917.....	1077	1043.....	881	1140.....	337
728.....	559	843.....	1077	928.....	1077	1044.....	862	1141.....	46
729.....	559	844.....	1077	939.....	1077	1045.....	867	1142.....	336
730.....	559	845.....	1077	940.....	1077	1046.....	877	1143.....	336
731.....	559	846.....	1077	941.....	1077	1047.....	891	1144.....	336
732.....	559	847.....	1077	942.....	1076	1049.....	368	1145.....	336
738.....	502	848.....	1077	943.....	1076	1050.....	368	1146.....	336
742.....	769	849.....	1077	944.....	1077	1051.....	368	1147.....	336
751.....	1066	850.....	1077	945.....	1077	1052.....	368	1148.....	336
752.....	1066	851.....	1077	946.....	1077	1053.....	369	1149.....	337
753.....	41	852.....	1077	947.....	1077	1054.....	369	1151.....	337
757.....	40	853.....	1077	948.....	1077	1055.....	369	1152.....	337
760.....	45	854.....	1077	949.....	1077	1056.....	369	1153.....	334
764.....	503	855.....	1077	950.....	1044	1057.....	369	1154.....	334
765.....	503	856.....	1077	951.....	1044	1058.....	369	1155.....	334
766.....	503	857.....	1077	952.....	1044	1059.....	370	1156.....	334
767.....	502	858.....	1077	953.....	1044	1060.....	370	1161.....	360
770.....	332	859.....	1077	954.....	1044	1061.....	370	1162.....	360
771.....	332	860.....	1077	955.....	1044	1062.....	370	1163.....	360
772.....	332	861.....	1077	956.....	1044	1063.....	371	1164.....	360
773.....	332	862.....	1077	957.....	1045	1064.....	371	1165.....	360
790.....	454	863.....	1077	958.....	1045	1065.....	371	1166.....	360
791.....	454	864.....	1077	959.....	1045	1066.....	371	1167.....	360
792.....	1003	865.....	1077	960.....	1045	1067.....	383	1168.....	361
793.....	1003	866.....	1077	961.....	1045	1068.....	383	1169.....	361
794.....	454	867.....	1077	962.....	1045	1069.....	383	1170.....	361
795.....	454	868.....	1077	963.....	1076	1070.....	383	1171.....	362
796.....	1076	869.....	1077	964.....	1076	1071.....	383	1172.....	362
798.....	459	870.....	1077	965.....	1076	1072.....	383	1173.....	363
801.....	1076	871.....	1077	966.....	1045	1073.....	383	1174.....	363
802.....	1076	872.....	1077	967.....	1045	1074.....	383	1175.....	364
803.....	1076	873.....	1077	968.....	1045	1075.....	383	1176.....	364
804.....	1076	874.....	1077	971.....	1077	1076.....	383	1177.....	364
805.....	1076	875.....	1077	972.....	1077	1077.....	383	1178.....	364
806.....	1076	876.....	1077	973.....	1077	1078.....	383	1179.....	365
807.....	1076	877.....	1077	974.....	1077	1079.....	383	1180.....	365
808.....	1076	878.....	1077	975.....	1077	1088.....	383	1181.....	365
809.....	1076	879.....	1077	985.....	1077	1089.....	383	1182.....	366
810.....	1076	880.....	1077	987.....	179	1090.....	383	1183.....	366
811.....	1076	881.....	1077	988.....	179	1095.....	861	1184.....	329
812.....	1076	882.....	1077	995.....	1003	1096.....	872	1185.....	329

## Quick Number Index

## Quick # ..... Page #

1186.....	329	1339.....	1073	1418.....	342	1559.....	394	1649.....	325
1231.....	1014	1340.....	1073	1419.....	343	1560.....	394	1650.....	325
1232.....	1014	1341.....	1073	1420.....	343	1561.....	394	1651.....	326
1233.....	1014	1342.....	1073	1421.....	342	1562.....	394	1652.....	326
1234.....	1014	1343.....	1073	1422.....	342	1563.....	395	1653.....	326
1235.....	1014	1344.....	1073	1423.....	343	1564.....	830	1654.....	327
1236.....	435	1345.....	1073	1424.....	343	1565.....	830	1655.....	327
1237.....	435	1346.....	1073	1425.....	343	1566.....	830	1656.....	327
1240.....	452	1347.....	1073	1426.....	340	1567.....	830	1657.....	328
1241.....	412	1348.....	1073	1427.....	340	1568.....	869	1658.....	328
1244.....	413	1349.....	1073	1428.....	340	1569.....	869	1659.....	328
1247.....	413	1350.....	1073	1429.....	340	1570.....	872	1660.....	329
1249.....	414	1351.....	1073	1430.....	341	1571.....	874	1661.....	329
1250.....	414	1352.....	1073	1431.....	341	1572.....	882	1662.....	411
1253.....	415	1353.....	1073	1432.....	340	1572.....	894	1663.....	411
1258.....	418	1354.....	1073	1433.....	340	1573.....	884	1664.....	42
1267.....	412	1355.....	1073	1434.....	340	1574.....	889	1670.....	851
1275.....	502	1356.....	1072	1435.....	340	1575.....	946	1671.....	851
1281.....	861	1357.....	1072	1436.....	341	1576.....	946	1672.....	851
1281.....	861	1358.....	1072	1437.....	341	1577.....	946	1673.....	851
1282.....	961	1359.....	1072	1438.....	357	1578.....	946	1674.....	402
1283.....	865	1360.....	1072	1439.....	357	1579.....	946	1675.....	402
1284.....	961	1361.....	1072	1440.....	357	1580.....	948	1676.....	402
1285.....	881	1362.....	1072	1441.....	357	1581.....	948	1677.....	402
1286.....	961	1363.....	1072	1442.....	357	1582.....	948	1678.....	402
1287.....	961	1364.....	1072	1448.....	1047	1583.....	948	1679.....	403
1288.....	961	1365.....	1072	1449.....	1047	1584.....	948	1680.....	403
1289.....	961	1366.....	1072	1450.....	1048	1585.....	948	1681.....	403
1290.....	961	1367.....	1072	1451.....	1048	1586.....	948	1682.....	403
1291.....	961	1368.....	1072	1452.....	1048	1587.....	948	1683.....	403
1293.....	410	1369.....	1072	1453.....	1048	1588.....	948	1684.....	403
1294.....	410	1370.....	1072	1454.....	1049	1589.....	948	1685.....	404
1295.....	410	1371.....	1072	1455.....	1049	1590.....	422	1686.....	404
1300.....	578	1372.....	1072	1456.....	1050	1591.....	422	1687.....	404
1301.....	578	1373.....	1072	1457.....	1050	1592.....	422	1688.....	404
1302.....	578	1374.....	1069	1458.....	1051	1593.....	422	1691.....	400
1303.....	578	1375.....	1069	1459.....	1051	1594.....	422	1692.....	400
1304.....	578	1376.....	1069	1468.....	1014	1595.....	422	1693.....	401
1305.....	578	1377.....	1069	1469.....	1014	1596.....	422	1694.....	401
1306.....	578	1378.....	1069	1470.....	1014	1597.....	422	1695.....	401
1307.....	578	1379.....	1069	1471.....	1014	1598.....	422	1696.....	401
1308.....	578	1380.....	1069	1472.....	1014	1599.....	422	1697.....	401
1309.....	578	1381.....	1069	1473.....	456	1601.....	422	1698.....	401
1310.....	578	1382.....	1069	1474.....	456	1602.....	422	1699.....	401
1311.....	578	1383.....	1069	1475.....	456	1603.....	333	1700.....	401
1312.....	578	1384.....	1069	1482.....	1064	1603.....	373	1701.....	401
1313.....	578	1385.....	1069	1483.....	1064	1604.....	333	1702.....	401
1314.....	578	1386.....	1068	1484.....	850	1604.....	373	1703.....	401
1315.....	578	1387.....	1068	1485.....	850	1605.....	424	1703.....	1077
1316.....	578	1388.....	1068	1486.....	850	1606.....	425	1704.....	401
1318.....	578	1389.....	1068	1487.....	850	1607.....	373	1705.....	752
1319.....	579	1390.....	426	1497.....	1069	1607.....	425	1706.....	752
1320.....	579	1391.....	426	1510.....	1065	1608.....	951	1711.....	539
1321.....	579	1392.....	426	1511.....	1065	1609.....	951	1712.....	539
1322.....	579	1393.....	427	1524.....	961	1610.....	951	1725.....	755
1323.....	579	1401.....	282	1525.....	961	1611.....	952	1726.....	755
1324.....	579	1402.....	282	1526.....	961	1612.....	952	1727.....	755
1325.....	579	1403.....	282	1533.....	961	1613.....	952	1728.....	755
1326.....	579	1404.....	282	1534.....	961	1614.....	952	1729.....	755
1328.....	1073	1405.....	282	1535.....	961	1615.....	952	1730.....	754
1329.....	1073	1406.....	282	1541.....	961	1616.....	952	1731.....	754
1330.....	1073	1407.....	308	1542.....	961	1617.....	960	1732.....	755
1331.....	1073	1408.....	308	1543.....	961	1624.....	960	1733.....	754
1332.....	1073	1409.....	308	1550.....	392	1631.....	960	1734.....	755
1333.....	1073	1410.....	308	1551.....	392	1638.....	960	1735.....	987
1334.....	1073	1413.....	342	1552.....	392	1645.....	324	1739.....	579
1335.....	1073	1414.....	342	1553.....	392	1645.....	415	1740.....	579
1336.....	1073	1415.....	342	1554.....	392	1646.....	324	1741.....	579
1337.....	1073	1416.....	342	1555.....	393	1647.....	324	1742.....	579
1338.....	1073	1417.....	342	1558.....	394	1648.....	325	1743.....	333

## Quick Number Index

**Quick # ..... Page #**

1744.....	333	1886.....	396	1960.....	1027	2056.....	880	2314.....	861
1771.....	1065	1887.....	396	1961.....	1027	2057.....	892	2314.....	961
1772.....	1065	1888.....	396	1962.....	1027	2058.....	834	2315.....	840
1773.....	1064	1889.....	396	1963.....	1027	2059.....	834	2316.....	840
1774.....	1064	1890.....	396	1964.....	1027	2060.....	834	2317.....	840
1775.....	1064	1891.....	397	1965.....	1027	2061.....	834	2318.....	840
1776.....	1064	1892.....	398	1966.....	1027	2063.....	840	2319.....	840
1791.....	37	1893.....	398	1967.....	1027	2066.....	350	2320.....	942
1793.....	37	1894.....	398	1968.....	1027	2067.....	350	2321.....	943
1794.....	818	1895.....	398	1969.....	1027	2068.....	351	2322.....	943
1794.....	1003	1896.....	398	1970.....	1027	2069.....	351	2323.....	944
1796.....	1003	1897.....	398	1971.....	1027	2070.....	942	2328.....	853
1810.....	853	1898.....	399	1972.....	1027	2071.....	945	2329.....	909
1811.....	853	1899.....	56	1973.....	1027	2071.....	954	2330.....	909
1812.....	853	1900.....	827	1974.....	1027	2072.....	84	2332.....	961
1813.....	861	1901.....	826	1975.....	1027	2073.....	85	2333.....	961
1814.....	863	1902.....	827	1976.....	1027	2074.....	85	2347.....	1077
1815.....	15	1903.....	826	1977.....	1027	2075.....	959	2358.....	423
1816.....	15	1904.....	827	1978.....	1027	2076.....	959	2359.....	423
1817.....	44	1905.....	826	1979.....	1027	2077.....	959	2360.....	423
1818.....	852	1906.....	827	1980.....	1027	2078.....	959	2361.....	423
1819.....	852	1907.....	826	1981.....	1027	2079.....	959	2379.....	945
1820.....	852	1908.....	827	1984.....	402	2080.....	355	2394.....	945
1821.....	852	1909.....	826	1989.....	594	2081.....	353	2403.....	1004
1822.....	284	1910.....	511	1990.....	594	2101.....	626	2404.....	1004
1823.....	284	1911.....	510	1991.....	594	2102.....	626	2412.....	1004
1824.....	284	1912.....	511	1992.....	594	2103.....	626	2421.....	945
1825.....	458	1913.....	510	1993.....	592	2104.....	626	2429.....	1004
1825.....	753	1914.....	517	1994.....	592	2105.....	626	2430.....	1004
1826.....	347	1915.....	516	1995.....	592	2106.....	626	2450.....	1068
1827.....	347	1916.....	517	1996.....	592	2107.....	626	2451.....	80
1828.....	753	1917.....	516	1997.....	592	2108.....	626	2452.....	80
1829.....	539	1918.....	629	1998.....	592	2109.....	624	2453.....	80
1830.....	1064	1919.....	629	2001.....	1047	2110.....	624	2454.....	80
1831.....	557	1920.....	629	2002.....	1047	2111.....	624	2455.....	81
1832.....	556	1921.....	629	2004.....	1048	2112.....	624	2456.....	81
1833.....	558	1923.....	578	2005.....	1048	2117.....	624	2457.....	81
1834.....	556	1924.....	578	2013.....	1050	2118.....	624	2458.....	81
1835.....	558	1925.....	578	2014.....	1050	2119.....	624	2491.....	1014
1836.....	557	1926.....	578	2019.....	386	2120.....	624	2501.....	376
1837.....	557	1927.....	578	2020.....	386	2121.....	624	2502.....	376
1838.....	557	1928.....	578	2021.....	386	2122.....	624	2503.....	376
1839.....	557	1929.....	578	2022.....	387	2123.....	624	2504.....	376
1844.....	1063	1930.....	578	2023.....	387	2124.....	624	2505.....	376
1845.....	1063	1931.....	986	2024.....	387	2129.....	668	2506.....	376
1846.....	1063	1932.....	986	2025.....	388	2130.....	668	2507.....	376
1847.....	1064	1936.....	1026	2026.....	388	2131.....	668	2508.....	377
1850.....	502	1937.....	1026	2027.....	388	2132.....	668	2509.....	377
1851.....	502	1938.....	1026	2028.....	388	2155.....	669	2510.....	377
1852.....	1015	1939.....	1026	2029.....	389	2156.....	669	2511.....	377
1853.....	1015	1940.....	1026	2030.....	389	2172.....	357	2512.....	377
1861.....	923	1941.....	1026	2033.....	1019	2215.....	1005	2513.....	378
1862.....	922	1942.....	1026	2034.....	1019	2216.....	1005	2514.....	378
1863.....	922	1943.....	1026	2035.....	1019	2228.....	343	2515.....	378
1864.....	932	1944.....	1026	2037.....	975	2235.....	945	2516.....	378
1865.....	932	1945.....	1026	2038.....	975	2235.....	954	2517.....	378
1866.....	932	1946.....	1026	2039.....	975	2243.....	1004	2518.....	379
1867.....	933	1947.....	1026	2040.....	975	2244.....	1004	2519.....	379
1868.....	933	1948.....	1026	2041.....	974	2245.....	1004	2520.....	379
1870.....	283	1949.....	1026	2042.....	974	2256.....	941	2521.....	382
1871.....	56	1950.....	1027	2043.....	835	2257.....	941	2522.....	382
1877.....	754	1951.....	1027	2044.....	835	2258.....	945	2523.....	382
1878.....	430	1952.....	1027	2045.....	835	2266.....	944	2524.....	382
1879.....	434	1953.....	1027	2046.....	835	2267.....	945	2525.....	380
1880.....	457	1954.....	1027	2050.....	1022	2267.....	954	2526.....	380
1881.....	457	1955.....	1027	2051.....	1022	2280.....	958	2527.....	380
1882.....	1002	1956.....	1027	2052.....	1022	2301.....	882	2528.....	380
1883.....	1002	1957.....	1027	2053.....	860	2310.....	958	2529.....	380
1884.....	1002	1958.....	1027	2054.....	864	2311.....	958	2530.....	380
1885.....	396	1959.....	1027	2055.....	870	2312.....	958	2531.....	380

## Quick Number Index

## Quick # ..... Page #

2532.....	381	2621.....	379	2741.....	776	3001.....	63	3081.....	221
2533.....	381	2622.....	379	2742.....	776	3002.....	63	3082.....	221
2534.....	381	2623.....	380	2743.....	776	3003.....	63	3083.....	221
2535.....	376	2624.....	380	2744.....	776	3004.....	63	3084.....	221
2536.....	376	2625.....	380	2745.....	776	3005.....	63	3085.....	220
2537.....	376	2626.....	380	2746.....	776	3006.....	69	3086.....	220
2538.....	376	2627.....	380	2747.....	776	3007.....	69	3087.....	220
2539.....	376	2628.....	380	2748.....	776	3008.....	69	3088.....	220
2540.....	376	2629.....	381	2749.....	776	3009.....	68	3089.....	221
2541.....	376	2630.....	381	2750.....	776	3010.....	68	3090.....	221
2542.....	377	2631.....	381	2751.....	776	3011.....	68	3091.....	221
2543.....	377	2632.....	382	2752.....	776	3012.....	68	3092.....	205
2544.....	377	2633.....	382	2753.....	776	3014.....	68	3093.....	205
2545.....	377	2634.....	382	2754.....	776	3015.....	68	3094.....	205
2546.....	377	2635.....	382	2755.....	776	3016.....	68	3096.....	205
2547.....	378	2637.....	379	2756.....	776	3017.....	68	3097.....	205
2548.....	378	2644.....	1015	2757.....	776	3018.....	68	3100.....	208
2549.....	378	2645.....	1015	2758.....	777	3019.....	68	3101.....	208
2550.....	378	2646.....	1015	2759.....	777	3020.....	68	3102.....	208
2551.....	378	2647.....	1015	2760.....	777	3024.....	69	3103.....	208
2552.....	379	2648.....	1015	2761.....	777	3025.....	69	3104.....	208
2553.....	379	2649.....	945	2762.....	777	3026.....	69	3105.....	208
2554.....	379	2649.....	954	2763.....	777	3027.....	69	3106.....	208
2555.....	382	2654.....	380	2764.....	777	3028.....	69	3107.....	209
2556.....	382	2657.....	1015	2765.....	777	3029.....	193	3108.....	209
2557.....	382	2658.....	1015	2766.....	777	3030.....	193	3109.....	209
2558.....	382	2659.....	1015	2767.....	777	3031.....	193	3110.....	209
2559.....	380	2660.....	1015	2768.....	777	3032.....	193	3111.....	209
2560.....	380	2662.....	905	2769.....	777	3033.....	194	3112.....	209
2561.....	380	2663.....	905	2770.....	777	3034.....	194	3113.....	209
2562.....	380	2664.....	905	2771.....	777	3035.....	194	3114.....	212
2563.....	380	2678.....	380	2800.....	163	3036.....	194	3115.....	212
2564.....	380	2679.....	380	2801.....	163	3037.....	194	3116.....	212
2565.....	380	2680.....	380	2802.....	163	3038.....	194	3117.....	212
2566.....	381	2681.....	380	2964.....	983	3039.....	191	3118.....	212
2567.....	381	2682.....	380	2965.....	983	3040.....	191	3119.....	212
2568.....	381	2683.....	376	2966.....	983	3041.....	191	3120.....	212
2569.....	283	2684.....	376	2967.....	983	3042.....	191	3121.....	212
2570.....	1014	2685.....	376	2968.....	983	3043.....	198	3122.....	212
2571.....	283	2686.....	376	2969.....	855	3044.....	198	3123.....	213
2576.....	283	2687.....	376	2970.....	854	3045.....	198	3124.....	213
2578.....	960	2688.....	376	2971.....	854	3046.....	198	3125.....	213
2579.....	960	2689.....	998	2972.....	854	3047.....	198	3126.....	213
2581.....	181	2690.....	999	2973.....	526	3048.....	198	3127.....	213
2581.....	984	2696.....	986	2974.....	526	3049.....	198	3128.....	213
2582.....	985	2697.....	986	2975.....	526	3050.....	198	3129.....	213
2583.....	985	2704.....	970	2976.....	526	3052.....	199	3130.....	213
2584.....	954	2705.....	972	2977.....	526	3053.....	199	3131.....	213
2585.....	911	2707.....	972	2978.....	526	3054.....	199	3147.....	219
2593.....	954	2708.....	972	2979.....	527	3055.....	199	3148.....	219
2600.....	960	2709.....	972	2980.....	527	3056.....	199	3149.....	219
2602.....	1004	2710.....	972	2981.....	527	3057.....	199	3150.....	219
2603.....	1004	2711.....	970	2982.....	527	3058.....	199	3151.....	219
2604.....	376	2712.....	970	2983.....	527	3059.....	202	3152.....	219
2605.....	376	2713.....	970	2984.....	527	3060.....	202	3153.....	219
2606.....	376	2714.....	974	2985.....	526	3061.....	202	3154.....	219
2607.....	376	2715.....	970	2986.....	526	3062.....	195	3155.....	219
2608.....	376	2716.....	970	2987.....	526	3063.....	195	3156.....	770
2609.....	376	2717.....	970	2988.....	526	3064.....	195	3157.....	770
2610.....	376	2718.....	970	2989.....	526	3065.....	195	3158.....	770
2611.....	377	2720.....	973	2990.....	526	3066.....	192	3159.....	770
2612.....	377	2722.....	1031	2991.....	526	3067.....	192	3160.....	220
2613.....	377	2723.....	973	2992.....	526	3068.....	192	3161.....	770
2614.....	377	2724.....	973	2993.....	526	3069.....	192	3162.....	489
2615.....	377	2725.....	974	2994.....	526	3070.....	192	3164.....	489
2616.....	378	2726.....	974	2995.....	526	3071.....	192	3165.....	285
2617.....	378	2727.....	974	2996.....	526	3077.....	192	3166.....	285
2618.....	378	2728.....	974	2997.....	528	3078.....	192	3167.....	304
2619.....	378	2729.....	974	2998.....	528	3079.....	220	3168.....	304
2620.....	378	2740.....	776	2999.....	528	3080.....	220	3169.....	304

# Quick Number Index

**Quick # ..... Page #**

3170.....	304	3290.....	373	3402.....	1001	3481.....	212	3606.....	305
3171.....	311	3291.....	373	3403.....	1001	3482.....	212	3607.....	285
3172.....	310	3292.....	373	3404.....	1000	3483.....	212	3608.....	305
3173.....	311	3294.....	373	3405.....	987	3484.....	589	3609.....	309
3174.....	310	3296.....	373	3406.....	987	3486.....	196	3610.....	309
3186.....	360	3297.....	373	3407.....	987	3487.....	196	3611.....	477
3187.....	360	3299.....	769	3408.....	589	3488.....	197	3612.....	477
3189.....	360	3300.....	769	3409.....	1004	3489.....	197	3613.....	493
3190.....	360	3301.....	769	3411.....	1061	3491.....	982	3614.....	493
3192.....	360	3302.....	769	3412.....	1061	3511.....	208	3615.....	494
3193.....	360	3303.....	769	3413.....	1060	3512.....	204	3616.....	209
3195.....	360	3304.....	769	3414.....	1060	3513.....	204	3617.....	494
3196.....	360	3305.....	769	3415.....	1060	3514.....	204	3618.....	500
3199.....	360	3306.....	476	3416.....	1060	3515.....	204	3619.....	218
3200.....	360	3308.....	485	3418.....	1061	3516.....	204	3620.....	218
3203.....	360	3310.....	493	3419.....	1061	3525.....	939	3621.....	218
3204.....	360	3311.....	496	3420.....	1061	3526.....	939	3622.....	218
3206.....	360	3313.....	500	3421.....	766	3527.....	939	3623.....	218
3207.....	360	3317.....	489	3422.....	766	3528.....	492	3624.....	218
3210.....	361	3318.....	489	3423.....	766	3530.....	769	3625.....	218
3211.....	361	3319.....	476	3424.....	766	3531.....	217	3626.....	218
3214.....	361	3320.....	522	3425.....	766	3532.....	217	3627.....	218
3215.....	361	3321.....	522	3426.....	766	3533.....	65	3628.....	218
3218.....	361	3322.....	523	3427.....	766	3535.....	589	3629.....	588
3219.....	361	3323.....	523	3428.....	766	3537.....	65	3630.....	580
3222.....	362	3324.....	524	3429.....	766	3538.....	191	3631.....	580
3223.....	362	3325.....	524	3430.....	766	3539.....	191	3632.....	580
3226.....	362	3332.....	911	3431.....	766	3540.....	588	3633.....	580
3227.....	362	3333.....	911	3432.....	766	3541.....	495	3634.....	580
3229.....	363	3334.....	206	3433.....	766	3542.....	588	3635.....	580
3230.....	363	3335.....	206	3434.....	766	3543.....	191	3636.....	522
3232.....	363	3336.....	206	3435.....	766	3545.....	65	3637.....	523
3233.....	363	3337.....	206	3436.....	766	3546.....	65	3638.....	524
3235.....	364	3338.....	206	3437.....	769	3561.....	217	3639.....	525
3236.....	364	3346.....	832	3438.....	769	3562.....	217	3640.....	525
3238.....	364	3347.....	832	3439.....	769	3563.....	217	3641.....	464
3239.....	364	3348.....	832	3440.....	769	3564.....	209	3642.....	465
3241.....	364	3349.....	832	3441.....	562	3566.....	488	3643.....	467
3242.....	364	3355.....	767	3442.....	562	3567.....	488	3644.....	467
3244.....	364	3356.....	767	3443.....	562	3569.....	209	3645.....	207
3245.....	364	3357.....	767	3444.....	562	3570.....	209	3646.....	207
3247.....	365	3358.....	767	3445.....	588	3571.....	209	3647.....	207
3248.....	365	3359.....	767	3446.....	200	3576.....	211	3648.....	314
3250.....	365	3360.....	767	3447.....	200	3577.....	211	3649.....	314
3251.....	365	3361.....	767	3448.....	200	3578.....	211	3650.....	314
3253.....	365	3362.....	767	3449.....	200	3579.....	210	3651.....	314
3254.....	365	3363.....	767	3450.....	201	3580.....	210	3652.....	191
3256.....	366	3364.....	767	3451.....	201	3581.....	210	3653.....	191
3257.....	366	3365.....	767	3452.....	201	3582.....	210	3654.....	486
3259.....	366	3366.....	767	3453.....	200	3583.....	191	3655.....	478
3260.....	366	3382.....	217	3454.....	200	3584.....	214	3656.....	478
3262.....	366	3383.....	217	3455.....	200	3585.....	214	3657.....	478
3263.....	366	3384.....	217	3456.....	201	3586.....	214	3658.....	479
3265.....	366	3385.....	217	3457.....	203	3587.....	214	3659.....	476
3266.....	366	3386.....	217	3458.....	215	3588.....	214	3660.....	483
3268.....	366	3387.....	217	3459.....	215	3589.....	214	3661.....	483
3269.....	366	3388.....	217	3460.....	215	3590.....	214	3662.....	485
3271.....	366	3389.....	217	3461.....	215	3591.....	214	3663.....	497
3272.....	366	3390.....	217	3462.....	215	3592.....	214	3664.....	497
3274.....	367	3391.....	217	3463.....	215	3593.....	214	3665.....	495
3275.....	367	3392.....	217	3464.....	215	3594.....	214	3666.....	495
3277.....	367	3393.....	982	3465.....	215	3595.....	214	3667.....	497
3278.....	367	3394.....	982	3466.....	215	3596.....	588	3668.....	498
3280.....	367	3395.....	982	3469.....	838	3598.....	218	3669.....	494
3281.....	367	3396.....	982	3470.....	838	3600.....	309	3671.....	462
3283.....	367	3397.....	982	3471.....	838	3601.....	305	3672.....	466
3284.....	367	3398.....	982	3472.....	201	3602.....	305	3673.....	466
3285.....	332	3399.....	982	3478.....	213	3603.....	285	3674.....	465
3286.....	373	3400.....	1001	3479.....	213	3604.....	309	3675.....	467
3289.....	373	3401.....	1001	3480.....	213	3605.....	218	3676.....	467

## Quick Number Index

## Quick # ..... Page #

3677.....	500	3754.....	582	3857.....	416	4115.....	268	4943.....	266
3679.....	487	3755.....	582	3858.....	416	4117.....	270	4944.....	266
3680.....	499	3756.....	582	3859.....	416	4118.....	270	4945.....	266
3681.....	499	3757.....	582	3860.....	416	4119.....	268	4946.....	266
3682.....	215	3758.....	501	3864.....	418	4128.....	271	4947.....	267
3684.....	215	3759.....	501	3865.....	418	4129.....	271	4948.....	267
3685.....	198	3760.....	501	3866.....	418	4132.....	269	4949.....	266
3686.....	198	3764.....	761	3867.....	419	4134.....	269	4950.....	267
3687.....	194	3765.....	761	3868.....	419	4136.....	269	4951.....	266
3688.....	194	3766.....	761	3869.....	419	4138.....	269	4952.....	267
3689.....	769	3767.....	588	3870.....	416	4140.....	270	4990.....	266
3690.....	314	3768.....	589	3871.....	416	4150.....	271	4991.....	266
3691.....	314	3769.....	501	3872.....	419	4151.....	271	4992.....	266
3692.....	199	3770.....	501	3873.....	418	4152.....	271	4993.....	266
3693.....	199	3771.....	501	3874.....	226	4166.....	270	4994.....	266
3694.....	199	3776.....	1005	3875.....	226	4730.....	272	5001.....	764
3695.....	199	3777.....	1005	3876.....	226	4731.....	272	5002.....	764
3696.....	199	3778.....	223	3877.....	227	4732.....	272	5003.....	764
3697.....	216	3779.....	222	3878.....	227	4733.....	272	5004.....	764
3698.....	191	3780.....	222	3879.....	227	4734.....	272	5005.....	764
3699.....	191	3781.....	223	3880.....	225	4735.....	272	5006.....	764
3700.....	213	3782.....	223	3881.....	225	4736.....	272	5007.....	764
3701.....	213	3783.....	223	3882.....	225	4737.....	272	5008.....	764
3702.....	213	3784.....	223	3883.....	224	4738.....	272	5009.....	764
3703.....	582	3785.....	223	3886.....	37	4739.....	272	5010.....	764
3704.....	582	3786.....	223	3887.....	37	4740.....	272	5011.....	764
3705.....	582	3787.....	222	3888.....	467	4741.....	272	5012.....	764
3706.....	582	3788.....	222	3889.....	467	4742.....	272	5013.....	34
3707.....	582	3789.....	222	3890.....	469	4743.....	272	5014.....	32
3708.....	582	3790.....	281	3891.....	468	4744.....	272	5015.....	32
3709.....	582	3791.....	281	3892.....	744	4745.....	272	5023.....	862
3710.....	471	3792.....	490	3893.....	484	4750.....	273	5024.....	861
3711.....	475	3793.....	491	3894.....	482	4751.....	273	5025.....	862
3712.....	475	3794.....	490	3895.....	529	4752.....	273	5026.....	866
3713.....	471	3795.....	222	3896.....	529	4753.....	273	5027.....	865
3714.....	474	3796.....	222	3897.....	199	4760.....	274	5028.....	866
3715.....	474	3797.....	222	3898.....	200	4761.....	274	5029.....	878
3716.....	473	3798.....	223	3899.....	200	4762.....	274	5030.....	872
3717.....	464	3799.....	491	3900.....	745	4763.....	274	5031.....	874
3718.....	463	3800.....	491	3903.....	190	4770.....	275	5032.....	889
3719.....	479	3804.....	760	3904.....	190	4771.....	275	5033.....	882
3720.....	479	3805.....	1005	3905.....	190	4772.....	275	5034.....	884
3721.....	481	3806.....	1005	3906.....	190	4773.....	275	5035.....	25
3722.....	481	3809.....	1005	3907.....	190	4780.....	276	5036.....	25
3723.....	470	3814.....	760	3908.....	190	4781.....	276	5037.....	27
3724.....	471	3815.....	17	3911.....	191	4782.....	276	5038.....	27
3725.....	463	3816.....	17	3912.....	191	4911.....	267	5039.....	30
3726.....	486	3817.....	19	3915.....	190	4912.....	267	5040.....	30
3727.....	497	3818.....	19	3916.....	190	4913.....	267	5041.....	829
3728.....	522	3819.....	490	3918.....	480	4914.....	267	5042.....	829
3731.....	522	3824.....	760	3919.....	480	4918.....	267	5043.....	829
3732.....	522	3825.....	588	3920.....	482	4919.....	266	5045.....	829
3735.....	216	3826.....	580	3921.....	523	4920.....	467	5046.....	829
3736.....	216	3827.....	582	3922.....	525	4925.....	266	5059.....	30
3737.....	216	3831.....	21	3923.....	525	4926.....	266	5060.....	30
3738.....	216	3832.....	21	3924.....	527	4927.....	266	5073.....	1027
3739.....	466	3833.....	52	3925.....	527	4929.....	266	5074.....	958
3740.....	466	3834.....	52	3926.....	527	4930.....	266	5075.....	958
3741.....	472	3835.....	52	3927.....	527	4931.....	266	5076.....	958
3742.....	475	3836.....	33	3928.....	772	4931.....	267	5077.....	959
3743.....	475	3837.....	33	3929.....	772	4932.....	266	5078.....	959
3745.....	580	3843.....	35	3930.....	772	4933.....	266	5079.....	959
3746.....	580	3844.....	35	3931.....	772	4934.....	267	5080.....	959
3747.....	580	3845.....	66	3932.....	772	4935.....	267	5081.....	959
3748.....	580	3846.....	193	3935.....	487	4937.....	267	5089.....	958
3749.....	580	3852.....	529	4015.....	268	4938.....	267	5090.....	755
3750.....	580	3853.....	193	4016.....	268	4939.....	266	5091.....	338
3751.....	582	3854.....	193	4112.....	270	4940.....	266	5092.....	338
3752.....	582	3855.....	416	4113.....	268	4941.....	266	5093.....	338
3753.....	582	3856.....	416	4114.....	268	4942.....	266	5094.....	338

# Quick Number Index

**Quick # ..... Page #**

5095.....	338	5170.....	404	5346.....	32	5476.....	976	5554.....	1051
5096.....	338	5171.....	404	5347.....	312	5477.....	976	5555.....	1051
5097.....	339	5172.....	404	5347.....	529	5479.....	282	5556.....	1051
5098.....	339	5173.....	347	5348.....	960	5480.....	282	5557.....	1051
5099.....	339	5176.....	869	5349.....	960	5481.....	282	5558.....	1051
5100.....	339	5176.....	961	5350.....	847	5482.....	282	5559.....	1051
5101.....	339	5177.....	872	5377.....	577	5483.....	282	5560.....	1051
5102.....	338	5178.....	373	5378.....	577	5484.....	282	5561.....	1047
5103.....	338	5179.....	373	5379.....	577	5485.....	282	5562.....	1047
5104.....	338	5180.....	373	5380.....	577	5486.....	282	5563.....	1047
5105.....	338	5181.....	407	5381.....	577	5488.....	416	5564.....	1047
5106.....	339	5182.....	373	5382.....	577	5490.....	417	5565.....	1047
5107.....	339	5183.....	373	5383.....	577	5491.....	418	5566.....	1047
5108.....	339	5203.....	407	5384.....	577	5492.....	418	5567.....	1047
5109.....	339	5204.....	407	5385.....	577	5497.....	1004	5568.....	1047
5110.....	339	5205.....	407	5386.....	577	5498.....	1004	5569.....	1047
5111.....	344	5206.....	407	5387.....	577	5500.....	401	5570.....	1047
5112.....	344	5213.....	1067	5388.....	577	5501.....	1047	5571.....	1047
5113.....	344	5214.....	1067	5389.....	577	5502.....	1047	5572.....	1047
5114.....	344	5215.....	853	5390.....	577	5503.....	1047	5573.....	1047
5115.....	342	5216.....	853	5391.....	577	5504.....	1047	5574.....	1047
5116.....	342	5217.....	853	5392.....	577	5505.....	1047	5575.....	1048
5117.....	342	5228.....	402	5393.....	577	5506.....	1047	5576.....	1048
5118.....	342	5229.....	402	5394.....	577	5507.....	1047	5577.....	1048
5119.....	342	5230.....	402	5395.....	577	5508.....	1047	5578.....	1048
5120.....	342	5231.....	402	5396.....	577	5509.....	1047	5579.....	1048
5121.....	343	5232.....	403	5397.....	577	5510.....	1047	5580.....	1048
5122.....	343	5233.....	403	5398.....	577	5511.....	1047	5581.....	1048
5123.....	343	5234.....	403	5399.....	401	5512.....	1047	5582.....	1048
5124.....	340	5235.....	1022	5413.....	945	5513.....	1047	5583.....	1048
5125.....	340	5236.....	1022	5413.....	954	5514.....	1047	5584.....	1048
5126.....	340	5237.....	1022	5414.....	517	5515.....	1048	5585.....	1048
5127.....	340	5238.....	1022	5415.....	511	5516.....	1048	5586.....	1048
5128.....	341	5239.....	244	5416.....	330	5517.....	1048	5587.....	1048
5129.....	341	5240.....	244	5417.....	330	5518.....	1048	5588.....	1049
5130.....	341	5259.....	928	5418.....	330	5519.....	1048	5589.....	1049
5131.....	341	5261.....	578	5419.....	330	5520.....	1048	5590.....	1049
5135.....	347	5262.....	578	5420.....	330	5521.....	1048	5591.....	1049
5138.....	344	5263.....	578	5421.....	331	5522.....	1048	5592.....	1049
5139.....	344	5264.....	578	5422.....	331	5523.....	1048	5593.....	1049
5140.....	344	5265.....	578	5423.....	331	5524.....	1048	5594.....	1049
5141.....	344	5266.....	578	5424.....	331	5525.....	1048	5595.....	1049
5142.....	762	5267.....	578	5430.....	1004	5526.....	1048	5596.....	1049
5143.....	762	5268.....	578	5431.....	333	5527.....	1048	5597.....	1049
5144.....	762	5269.....	578	5432.....	333	5528.....	1048	5598.....	1049
5145.....	762	5270.....	401	5432.....	373	5529.....	1048	5599.....	1049
5146.....	762	5271.....	401	5433.....	333	5530.....	1049	5600.....	1050
5147.....	762	5272.....	755	5434.....	332	5531.....	1049	5601.....	1050
5148.....	762	5273.....	754	5435.....	332	5532.....	1049	5602.....	1050
5149.....	762	5274.....	755	5438.....	332	5533.....	1049	5603.....	1050
5150.....	762	5275.....	401	5439.....	332	5534.....	1049	5604.....	1050
5151.....	762	5276.....	401	5440.....	332	5535.....	1049	5605.....	1050
5152.....	762	5287.....	987	5441.....	332	5536.....	1049	5606.....	1050
5153.....	762	5304.....	960	5442.....	328	5537.....	1049	5607.....	1047
5154.....	762	5305.....	960	5443.....	328	5538.....	1049	5608.....	1048
5155.....	762	5306.....	960	5444.....	283	5539.....	1049	5609.....	1050
5156.....	762	5307.....	960	5448.....	423	5540.....	1050	5610.....	1051
5157.....	357	5308.....	993	5452.....	412	5541.....	1050	5611.....	1050
5158.....	405	5309.....	534	5453.....	412	5542.....	1050	5612.....	1051
5159.....	405	5310.....	534	5454.....	412	5543.....	1050	5613.....	1051
5160.....	405	5311.....	534	5455.....	412	5544.....	1050	5616.....	905
5161.....	405	5315.....	357	5457.....	413	5545.....	1050	5617.....	905
5162.....	406	5316.....	357	5459.....	414	5546.....	1050	5619.....	905
5163.....	406	5317.....	530	5463.....	412	5547.....	1050	5620.....	905
5164.....	406	5318.....	530	5464.....	357	5548.....	1050	5623.....	905
5165.....	406	5319.....	530	5465.....	458	5549.....	1050	5624.....	905
5166.....	406	5320.....	540	5466.....	459	5550.....	1050	5625.....	905
5167.....	406	5343.....	32	5467.....	1055	5551.....	1050	5626.....	905
5168.....	406	5344.....	32	5468.....	1055	5552.....	1050	5627.....	84
5169.....	404	5345.....	32	5469.....	1050	5553.....	1051	5628.....	910



## Quick Number Index

## Quick # ..... Page #

5639.....	346	5710.....	254	5789.....	386	5877.....	250	6020.....	234
5640.....	346	5711.....	254	5791.....	386	5878.....	88	6021.....	234
5641.....	346	5712.....	254	5792.....	386	5879.....	88	6022.....	234
5642.....	348	5713.....	254	5794.....	387	5880.....	88	6023.....	234
5643.....	348	5714.....	254	5795.....	387	5881.....	88	6024.....	234
5644.....	348	5715.....	254	5797.....	387	5882.....	976	6025.....	234
5645.....	349	5716.....	254	5798.....	387	5883.....	406	6026.....	234
5646.....	349	5717.....	254	5800.....	387	5884.....	637	6027.....	234
5647.....	349	5718.....	254	5801.....	387	5886.....	637	6028.....	234
5648.....	349	5719.....	254	5803.....	388	5888.....	637	6029.....	234
5650.....	538	5720.....	254	5804.....	388	5890.....	637	6030.....	234
5651.....	235	5721.....	252	5806.....	388	5892.....	649	6031.....	234
5652.....	235	5722.....	252	5807.....	388	5894.....	649	6032.....	234
5653.....	235	5723.....	252	5809.....	388	5896.....	649	6033.....	231
5654.....	235	5724.....	252	5810.....	388	5898.....	649	6034.....	231
5655.....	238	5725.....	252	5812.....	388	5948.....	354	6035.....	231
5656.....	238	5726.....	252	5813.....	388	5949.....	354	6036.....	231
5657.....	238	5727.....	252	5815.....	389	5966.....	352	6037.....	231
5658.....	239	5728.....	252	5816.....	389	5967.....	352	6038.....	231
5659.....	239	5729.....	252	5818.....	389	5968.....	90	6039.....	231
5660.....	239	5730.....	252	5819.....	389	5969.....	90	6040.....	231
5661.....	239	5731.....	256	5821.....	390	5970.....	90	6054.....	231
5662.....	239	5732.....	256	5822.....	390	5971.....	352	6055.....	231
5663.....	239	5733.....	256	5823.....	390	5972.....	352	6058.....	234
5664.....	239	5734.....	256	5824.....	390	5973.....	353	6059.....	234
5665.....	239	5735.....	256	5825.....	390	5974.....	353	6066.....	233
5666.....	244	5736.....	256	5826.....	390	5975.....	353	6067.....	233
5667.....	244	5737.....	256	5827.....	390	5976.....	354	6069.....	58
5668.....	244	5738.....	256	5828.....	390	5977.....	354	6070.....	32
5669.....	244	5739.....	256	5829.....	390	5978.....	355	6071.....	32
5670.....	244	5748.....	258	5830.....	390	5979.....	355	6072.....	231
5671.....	244	5749.....	258	5831.....	1057	5980.....	355	6073.....	231
5672.....	244	5750.....	258	5832.....	233	5981.....	355	6074.....	231
5673.....	244	5751.....	258	5833.....	233	5982.....	357	6075.....	90
5674.....	244	5752.....	258	5834.....	233	5983.....	357	6076.....	61
5675.....	244	5753.....	258	5835.....	233	5984.....	357	6078.....	74
5676.....	244	5754.....	259	5836.....	48	5985.....	357	6079.....	75
5677.....	244	5755.....	259	5837.....	48	5986.....	357	6080.....	83
5678.....	245	5756.....	259	5840.....	506	5987.....	357	6081.....	83
5679.....	245	5757.....	260	5841.....	506	5988.....	326	6082.....	83
5680.....	245	5758.....	260	5842.....	262	5989.....	326	6083.....	241
5681.....	245	5759.....	260	5843.....	262	5990.....	977	6084.....	231
5682.....	245	5760.....	261	5844.....	262	5991.....	977	6085.....	860
5683.....	245	5761.....	261	5850.....	247	5992.....	977	6086.....	864
5684.....	245	5762.....	261	5851.....	239	5993.....	262	6087.....	880
5685.....	245	5763.....	261	5852.....	242	5994.....	262	6088.....	234
5686.....	245	5764.....	261	5853.....	242	5995.....	262	6089.....	234
5687.....	245	5765.....	260	5854.....	242	5996.....	58	6090.....	234
5688.....	246	5766.....	260	5855.....	240	5997.....	59	6100.....	461
5689.....	246	5767.....	260	5856.....	240	5998.....	60	6125.....	461
5690.....	246	5768.....	1057	5857.....	240	5999.....	61	6126.....	818
5691.....	246	5769.....	1056	5858.....	241	6001.....	230	6126.....	1003
5692.....	246	5770.....	1056	5859.....	241	6002.....	230	6155.....	818
5693.....	247	5771.....	1057	5860.....	241	6003.....	230	6156.....	818
5694.....	247	5772.....	70	5861.....	240	6004.....	230	6157.....	818
5695.....	247	5773.....	70	5862.....	240	6005.....	230	6158.....	818
5696.....	247	5774.....	70	5863.....	240	6006.....	230	6159.....	818
5697.....	248	5775.....	70	5864.....	241	6007.....	230	6160.....	818
5698.....	248	5776.....	71	5865.....	243	6008.....	230	6161.....	818
5699.....	248	5777.....	72	5866.....	253	6009.....	230	6162.....	818
5700.....	249	5778.....	72	5867.....	253	6010.....	230	6163.....	818
5701.....	249	5779.....	72	5868.....	253	6011.....	230	6164.....	818
5702.....	249	5780.....	72	5869.....	253	6012.....	230	6165.....	818
5703.....	249	5781.....	73	5870.....	253	6013.....	230	6166.....	818
5704.....	249	5782.....	1069	5871.....	253	6014.....	230	6167.....	818
5705.....	254	5783.....	1069	5872.....	254	6015.....	230	6168.....	818
5706.....	254	5784.....	1069	5873.....	248	6016.....	230	6169.....	818
5707.....	254	5785.....	386	5874.....	250	6017.....	230	6170.....	818
5708.....	254	5786.....	386	5875.....	250	6018.....	230	6171.....	734
5709.....	254	5788.....	386	5876.....	250	6019.....	234	6172.....	734

# Quick Number Index

**Quick # ..... Page #**

6173.....	734	6329.....	630	6572.....	798	6686.....	988	6802.....	555
6233.....	709	6330.....	630	6573.....	798	6687.....	988	6805.....	555
6234.....	709	6331.....	630	6574.....	798	6688.....	988	6806.....	555
6235.....	709	6332.....	630	6575.....	798	6689.....	560	6811.....	298
6236.....	709	6333.....	630	6576.....	798	6690.....	560	6812.....	298
6237.....	709	6334.....	630	6577.....	798	6691.....	904	6813.....	298
6238.....	709	6335.....	630	6578.....	441	6692.....	711	6814.....	298
6239.....	710	6336.....	630	6579.....	780	6693.....	904	6815.....	298
6240.....	710	6337.....	644	6580.....	781	6694.....	550	6816.....	298
6241.....	710	6338.....	644	6581.....	779	6695.....	550	6817.....	298
6242.....	710	6339.....	644	6582.....	779	6696.....	550	6818.....	298
6243.....	710	6340.....	644	6583.....	779	6697.....	550	6819.....	292
6244.....	711	6341.....	644	6584.....	780	6698.....	550	6820.....	292
6245.....	711	6342.....	644	6585.....	780	6699.....	550	6825.....	288
6246.....	711	6343.....	644	6586.....	781	6700.....	550	6826.....	288
6247.....	711	6344.....	644	6587.....	781	6705.....	799	6827.....	288
6250.....	692	6345.....	644	6591.....	1003	6727.....	296	6828.....	288
6251.....	692	6346.....	644	6594.....	511	6729.....	296	6829.....	288
6252.....	692	6347.....	644	6595.....	510	6731.....	296	6830.....	288
6253.....	692	6348.....	644	6596.....	517	6732.....	296	6831.....	572
6254.....	692	6356.....	1002	6597.....	516	6734.....	296	6832.....	572
6255.....	692	6357.....	1002	6598.....	506	6735.....	296	6833.....	574
6256.....	692	6359.....	799	6599.....	506	6736.....	459	6834.....	574
6257.....	692	6362.....	844	6600.....	1002	6737.....	988	6835.....	572
6264.....	806	6363.....	844	6601.....	1002	6738.....	988	6836.....	572
6265.....	806	6364.....	844	6602.....	286	6739.....	988	6837.....	574
6266.....	808	6365.....	844	6603.....	286	6740.....	554	6838.....	574
6267.....	806	6366.....	844	6604.....	286	6741.....	554	6839.....	572
6268.....	808	6367.....	844	6605.....	286	6742.....	554	6840.....	572
6273.....	1003	6368.....	844	6606.....	286	6743.....	33	6841.....	574
6274.....	1003	6369.....	844	6607.....	286	6744.....	296	6842.....	574
6277.....	1002	6370.....	836	6616.....	529	6745.....	296	6843.....	572
6278.....	1002	6371.....	836	6619.....	799	6746.....	239	6844.....	572
6282.....	1002	6372.....	836	6620.....	799	6747.....	238	6845.....	574
6284.....	732	6373.....	836	6621.....	799	6753.....	988	6846.....	574
6285.....	732	6375.....	459	6622.....	799	6754.....	988	6847.....	572
6286.....	732	6378.....	661	6623.....	799	6755.....	988	6848.....	572
6287.....	719	6379.....	833	6624.....	799	6756.....	530	6849.....	574
6288.....	719	6380.....	833	6625.....	457	6757.....	530	6850.....	574
6289.....	719	6381.....	833	6626.....	457	6758.....	530	6851.....	572
6290.....	719	6382.....	833	6627.....	799	6759.....	584	6852.....	572
6291.....	719	6396.....	832	6628.....	799	6760.....	676	6853.....	574
6292.....	719	6398.....	542	6636.....	564	6761.....	676	6854.....	574
6293.....	719	6400.....	837	6637.....	564	6762.....	676	6855.....	572
6294.....	719	6401.....	837	6638.....	564	6763.....	676	6856.....	572
6295.....	794	6407.....	542	6639.....	564	6764.....	676	6857.....	574
6296.....	794	6408.....	542	6640.....	564	6765.....	690	6858.....	574
6297.....	794	6409.....	542	6641.....	564	6766.....	690	6859.....	572
6298.....	794	6410.....	542	6642.....	564	6767.....	690	6860.....	572
6299.....	794	6421.....	839	6643.....	564	6768.....	690	6861.....	574
6300.....	794	6422.....	23	6645.....	799	6769.....	690	6862.....	574
6301.....	794	6423.....	23	6647.....	534	6770.....	690	6863.....	572
6302.....	794	6455.....	1003	6648.....	530	6771.....	738	6864.....	572
6303.....	794	6456.....	1003	6652.....	436	6772.....	738	6865.....	574
6304.....	794	6457.....	1003	6653.....	437	6780.....	654	6866.....	574
6305.....	794	6458.....	461	6654.....	519	6781.....	654	6867.....	573
6306.....	794	6459.....	461	6655.....	518	6782.....	654	6868.....	573
6307.....	794	6461.....	992	6656.....	519	6783.....	654	6869.....	575
6308.....	794	6473.....	434	6657.....	518	6784.....	630	6870.....	575
6309.....	794	6475.....	774	6658.....	455	6785.....	630	6871.....	573
6310.....	794	6476.....	794	6659.....	455	6790.....	804	6872.....	573
6311.....	794	6509.....	799	6660.....	455	6791.....	804	6873.....	575
6312.....	794	6545.....	59	6661.....	455	6792.....	804	6874.....	575
6313.....	794	6546.....	60	6662.....	290	6793.....	804	6875.....	572
6314.....	794	6553.....	441	6665.....	290	6794.....	804	6876.....	572
6315.....	794	6554.....	441	6668.....	290	6795.....	804	6877.....	574
6325.....	630	6555.....	441	6671.....	290	6796.....	804	6878.....	574
6326.....	630	6558.....	808	6674.....	290	6797.....	555	6879.....	572
6327.....	630	6565.....	794	6677.....	290	6798.....	555	6880.....	572
6328.....	630	6571.....	798	6685.....	988	6801.....	555	6881.....	574

## Quick Number Index

## Quick # ..... Page #

6882.....	574	6953.....	294	7135.....	312	7209.....	756	7294.....	257
6883.....	572	6954.....	294	7136.....	312	7210.....	756	7295.....	257
6884.....	572	6955.....	294	7137.....	312	7211.....	748	7296.....	257
6885.....	574	6956.....	294	7138.....	728	7212.....	748	7297.....	257
6886.....	574	6957.....	245	7139.....	728	7213.....	748	7298.....	257
6887.....	572	6958.....	245	7140.....	728	7214.....	748	7299.....	257
6888.....	572	6959.....	245	7141.....	728	7215.....	748	7301.....	910
6889.....	574	6960.....	245	7142.....	728	7216.....	519	7303.....	48
6890.....	574	6961.....	912	7143.....	728	7217.....	529	7304.....	577
6891.....	572	6962.....	912	7144.....	728	7218.....	529	7305.....	577
6892.....	572	6963.....	912	7145.....	728	7219.....	529	7306.....	690
6893.....	574	6964.....	914	7146.....	726	7220.....	248	7307.....	529
6894.....	574	6965.....	914	7147.....	726	7221.....	572	7308.....	529
6895.....	572	6966.....	914	7148.....	726	7222.....	572	7309.....	529
6896.....	572	6967.....	916	7149.....	726	7223.....	574	7310.....	529
6897.....	574	6968.....	916	7150.....	726	7224.....	574	7311.....	39
6898.....	574	6969.....	916	7151.....	726	7225.....	573	7312.....	39
6899.....	572	6970.....	919	7152.....	726	7226.....	573	7315.....	244
6900.....	572	6971.....	919	7153.....	727	7227.....	575	7316.....	244
6901.....	574	6972.....	919	7154.....	727	7228.....	575	7317.....	628
6902.....	574	6973.....	316	7155.....	727	7229.....	572	7318.....	628
6903.....	572	6974.....	316	7156.....	727	7230.....	572	7319.....	628
6904.....	572	6975.....	316	7157.....	727	7231.....	574	7320.....	628
6905.....	574	6976.....	316	7158.....	727	7232.....	574	7321.....	685
6906.....	574	6983.....	577	7160.....	984	7233.....	573	7322.....	685
6907.....	572	6984.....	577	7161.....	984	7234.....	573	7323.....	685
6908.....	572	6985.....	577	7164.....	720	7235.....	575	7324.....	660
6909.....	574	6986.....	54	7165.....	720	7236.....	575	7325.....	660
6910.....	574	6987.....	55	7166.....	720	7249.....	436	7326.....	660
6911.....	573	6988.....	431	7167.....	720	7250.....	439	7327.....	660
6912.....	573	6989.....	600	7168.....	720	7251.....	563	7328.....	731
6913.....	575	6990.....	600	7169.....	720	7252.....	290	7329.....	731
6914.....	575	6991.....	600	7170.....	720	7253.....	290	7330.....	731
6915.....	573	6992.....	614	7171.....	720	7254.....	292	7331.....	618
6916.....	573	6993.....	614	7172.....	722	7255.....	292	7332.....	618
6917.....	575	6994.....	614	7173.....	722	7256.....	292	7333.....	618
6918.....	575	6995.....	616	7174.....	722	7257.....	292	7334.....	618
6919.....	576	6996.....	616	7175.....	722	7258.....	29	7335.....	984
6920.....	576	6997.....	616	7176.....	720	7259.....	29	7336.....	984
6921.....	576	6999.....	431	7177.....	720	7260.....	606	7337.....	984
6922.....	576	7100.....	515	7178.....	720	7261.....	606	7338.....	984
6923.....	576	7101.....	515	7179.....	720	7262.....	606	7339.....	420
6924.....	576	7102.....	514	7180.....	724	7263.....	608	7340.....	420
6925.....	576	7103.....	514	7181.....	724	7264.....	608	7341.....	421
6926.....	576	7104.....	530	7182.....	724	7265.....	608	7342.....	421
6927.....	576	7105.....	236	7183.....	724	7266.....	602	7343.....	421
6928.....	576	7106.....	236	7184.....	724	7267.....	602	7344.....	905
6929.....	576	7107.....	237	7185.....	724	7268.....	602	7345.....	905
6930.....	576	7108.....	237	7186.....	724	7269.....	604	7346.....	252
6931.....	576	7109.....	255	7187.....	725	7270.....	604	7347.....	577
6932.....	576	7110.....	255	7188.....	725	7271.....	604	7348.....	577
6933.....	576	7111.....	255	7189.....	725	7272.....	662	7349.....	612
6934.....	576	7112.....	255	7190.....	725	7273.....	662	7350.....	612
6935.....	576	7113.....	38	7191.....	725	7274.....	662	7355.....	612
6936.....	576	7114.....	39	7192.....	725	7275.....	662	7356.....	612
6937.....	576	7116.....	435	7193.....	725	7276.....	662	7357.....	451
6938.....	576	7117.....	515	7194.....	725	7277.....	662	7359.....	529
6939.....	696	7118.....	440	7195.....	747	7278.....	662	7360.....	529
6940.....	696	7119.....	438	7196.....	756	7279.....	662	7361.....	529
6941.....	696	7120.....	528	7197.....	756	7280.....	442	7362.....	506
6942.....	696	7121.....	528	7198.....	756	7281.....	756	7363.....	506
6943.....	565	7122.....	528	7199.....	584	7284.....	984	7364.....	506
6944.....	565	7126.....	738	7200.....	756	7285.....	984	7365.....	506
6945.....	565	7127.....	453	7201.....	756	7286.....	910	7366.....	563
6946.....	565	7128.....	560	7202.....	292	7287.....	431	7367.....	251
6947.....	565	7129.....	560	7203.....	292	7288.....	257	7368.....	251
6948.....	565	7130.....	560	7204.....	292	7289.....	257	7369.....	251
6949.....	565	7131.....	1016	7205.....	292	7290.....	257	7370.....	584
6950.....	565	7132.....	746	7206.....	292	7291.....	257	7371.....	868
6951.....	294	7133.....	746	7207.....	292	7292.....	257	7372.....	612
6952.....	294	7134.....	746	7208.....	756	7293.....	257	7373.....	442

## Quick Number Index

**Quick # ..... Page #**

7380.....	36	7463.....	637	7598.....	654	7698.....	984	8152.....	116
7381.....	36	7464.....	637	7599.....	654	7699.....	984	8153.....	116
7382.....	36	7465.....	637	7600.....	116	7700.....	433	8154.....	116
7383.....	590	7466.....	649	7601.....	116	7701.....	433	8155.....	116
7384.....	586	7467.....	649	7602.....	116	7702.....	433	8156.....	116
7385.....	586	7468.....	649	7603.....	116	7707.....	1002	8201.....	156
7386.....	586	7469.....	649	7604.....	116	7708.....	1002	8202.....	158
7392.....	663	7472.....	555	7605.....	988	7709.....	1002	8203.....	160
7393.....	663	7473.....	555	7606.....	988	7710.....	1002	8204.....	154
7395.....	663	7474.....	555	7607.....	30	7712.....	984	8210.....	140
7396.....	663	7475.....	555	7608.....	30	7713.....	984	8211.....	138
7397.....	663	7476.....	555	7611.....	239	7714.....	984	8213.....	141
7398.....	663	7477.....	555	7613.....	246	7715.....	985	8220.....	120
7399.....	663	7478.....	586	7614.....	246	8001.....	150	8221.....	120
7400.....	663	7479.....	586	7615.....	244	8002.....	146	8222.....	122
7401.....	985	7480.....	1058	7616.....	244	8003.....	177	8223.....	123
7402.....	995	7481.....	1058	7617.....	254	8005.....	128	8224.....	120
7403.....	995	7482.....	1059	7618.....	231	8006.....	148	8225.....	120
7404.....	995	7483.....	1059	7622.....	443	8010.....	152	8230.....	120
7405.....	997	7484.....	439	7623.....	751	8011.....	134	8231.....	182
7406.....	997	7485.....	451	7625.....	978	8015.....	179	8233.....	182
7407.....	540	7486.....	590	7626.....	978	8016.....	178	8234.....	182
7408.....	610	7518.....	451	7627.....	439	8017.....	127	8235.....	182
7409.....	572	7519.....	439	7628.....	529	8018.....	127	8236.....	182
7410.....	572	7520.....	586	7629.....	529	8021.....	178	8237.....	120
7411.....	574	7521.....	978	7630.....	529	8057.....	125	8240.....	157
7412.....	574	7522.....	978	7637.....	987	8058.....	124	8241.....	159
7413.....	572	7523.....	978	7638.....	987	8067.....	1017	8243.....	140
7414.....	572	7524.....	978	7639.....	451	8068.....	1017	8251.....	176
7415.....	574	7525.....	978	7640.....	451	8069.....	1017	8252.....	176
7416.....	574	7526.....	978	7641.....	451	8070.....	172	8253.....	176
7417.....	300	7527.....	985	7642.....	451	8071.....	174	8270.....	139
7418.....	300	7528.....	540	7648.....	77	8079.....	181	8271.....	139
7419.....	300	7550.....	449	7649.....	77	8080.....	172	8278.....	161
7420.....	300	7551.....	448	7650.....	981	8081.....	181	8280.....	168
7421.....	302	7552.....	447	7651.....	676	8082.....	181	8281.....	168
7422.....	302	7553.....	450	7652.....	676	8082.....	984	8282.....	168
7423.....	302	7555.....	445	7653.....	676	8084.....	181	8283.....	168
7424.....	302	7556.....	446	7654.....	676	8085.....	181	8290.....	161
7425.....	300	7563.....	51	7655.....	676	8086.....	181	8291.....	161
7426.....	300	7564.....	51	7656.....	676	8087.....	181	8292.....	161
7427.....	300	7565.....	51	7657.....	676	8088.....	181	8293.....	161
7428.....	300	7566.....	51	7658.....	676	8089.....	181	8294.....	161
7429.....	302	7567.....	51	7662.....	452	8090.....	142	8295.....	155
7430.....	302	7568.....	76	7663.....	529	8091.....	1017	8296.....	155
7431.....	302	7569.....	76	7664.....	241	8093.....	114	8297.....	155
7432.....	302	7570.....	76	7665.....	242	8094.....	114	8301.....	170
7433.....	532	7571.....	528	7666.....	242	8095.....	114	8302.....	170
7434.....	532	7572.....	528	7667.....	242	8096.....	114	8901.....	184
7435.....	126	7573.....	528	7668.....	243	8097.....	114	8902.....	184
7436.....	288	7574.....	513	7669.....	240	8098.....	116	8910.....	185
7437.....	288	7575.....	513	7670.....	240	8101.....	180	8911.....	185
7438.....	577	7576.....	512	7671.....	240	8102.....	180	8912.....	185
7439.....	577	7577.....	513	7672.....	240	8103.....	180	8913.....	185
7440.....	1002	7578.....	512	7673.....	240	8104.....	180	8920.....	184
7445.....	774	7579.....	750	7674.....	240	8105.....	180	8921.....	184
7446.....	749	7580.....	786	7675.....	241	8111.....	164	8930.....	185
7447.....	262	7581.....	786	7676.....	241	8112.....	164	8931.....	185
7448.....	262	7582.....	786	7677.....	241	8113.....	164	8932.....	185
7449.....	262	7583.....	786	7678.....	247	8114.....	164	8933.....	185
7450.....	262	7588.....	1002	7679.....	247	8115.....	164	8940.....	184
7451.....	540	7589.....	1002	7680.....	247	8116.....	164	8941.....	184
7452.....	590	7590.....	1002	7681.....	246	8117.....	165	8942.....	184
7453.....	315	7591.....	1002	7682.....	246	8118.....	165	9027.....	962
7454.....	315	7592.....	451	7683.....	181	8119.....	165	9028.....	962
7455.....	315	7593.....	254	7684.....	181	8120.....	165	9029.....	962
7456.....	30	7594.....	787	7685.....	181	8121.....	165	9030.....	962
7457.....	30	7595.....	787	7686.....	181	8122.....	165	9054.....	263
7461.....	442	7596.....	654	7693.....	654	8150.....	116		
7462.....	637	7597.....	654	7694.....	654	8151.....	116		



## Part Number Index

Part #	Page #						
ECDDQ-20-20	764	F03-G4F	357	GGE14-40-F	982	GN5AJ	862
ECDDQ-20-30	764	F03-G4M	357	GGE14-80	219	GN5AP	861
ECDDQ-32-10	764	F04-G3F	357	GGE14-80-F	982	GN5PF	862
ECDDQ-32-20	764	F04-G3M	357	GGE14-120	219	GN10LAJ	866
ECDDQ-32-30	764	FGD0830	799	GGE14-120-F	982	GN10LAP	865
ECDDQ-32-50	764	FGD1030	799	GGE20-50	219	GN10LPF	866
ECDDQ-32-75	764	FGD1235	799	GGE20-100	219	GN20AJ	878
ECDDQ-32-100	764	FMD04-1	1027	GGE20-150	219	GN20AP	872
ECDDQ-GR-12-10	762	FMD06-1	1027	GGG-14-10-15	314	GN20PF	874
ECDDQ-GR-12-20	762	FMD06-2	1027	GGG-20-20-20	314	GN30AJ	889
ECDDQ-GR-12-30	762	FMD08-2	1027	GGG-90-14-10-15	314	GN30AP	882
ECDDQ-GR-20-10	762	FMD10-2	1027	GGG-90-M14-10-15	314	GN30PF	884
ECDDQ-GR-20-20	762	FMD12-2	1027	GGG-M14-10-15	314	GN-240	904
ECDDQ-GR-20-30	762	FPA-001	958	GGG-M20-20-20	314	GN-263	904
ECDDQ-GR-20-40	762	FU-31	972	GGG-S10-C-10	285	GNB-2045	910
ECDDQ-GR-20-50	762	FU-35FZ	972	GGG-S10-M-10	285	NGG-05	831
ECDDQ-GR-32-10	762	FU-40	972	GGG-S14-C-15	304	NGG-10	831
ECDDQ-GR-32-20	762	FU-42TZ	972	GGG-S14-C-40	304	NGG-20	831
ECDDQ-GR-32-30	762	FU-67TZ	972	GGG-S14-M-15	304	NGG-30	831
ECDDQ-GR-32-40	762	GAF6-M-10	281	GGG-S14-M-40	304	GNS-05	912
ECDDQ-GR-32-50	762	GAF6-U-10	281	GGG-S20-C-20	311	GNS-05-NC	912
ECDDQ-GR-32-75	762	GAF10-M-10	285	GGG-S20-C-50	311	GNS-05-NO	912
ECDDQ-GR-32-100	762	GAF10-U-10	285	GGG-S20-M-20	310	GNS-10	914
ECO-15MF-4	799	GAF14-M-15	305	GGG-S20-M-50	310	GNS-10-NC	914
ECO-25-MC-4	799	GAF14-M-40	305	GGG-W-10-10-10	216	GNS-10-NO	914
ECO-50-MC-3	799	GAF14-U-15	305	GGG-W-14-14-15	216	GNS-20	916
ECO-100-MF-4	799	GAF14-U-40	305	GGG-W-14-14-40	216	GNS-20-NC	916
EL-704W	970	GAF20-M-20	309	GGG-W-20-20-20	216	GNS-20-NO	916
EL-704W	1027	GAF20-M-50	309	GGG-W-20-20-50	216	GNT-DUO-2F-0	170
EMB-2017-1000	231	GAF20-U-20	309	GHVGR-0	69	GNT-DUO-2F-T	170
EMB-2017-2000	231	GAF20-U-50	309	GHVGR-01	69	GPMGR-0	68
EMB-3026-1000	231	GAZ12-10-30	766	GHVGR-1	69	GPMGR-0M	68
EMB-3026-2000	231	GAZ12-10-60	766	GHVGR-2	69	GPMGR-01	68
EMB-5045-1000	231	GAZ12-10-90	766	GHVGR-3	69	GPMGR-1	68
EMB-5045-2000	231	GAZ12-14-40	766	GLA10-30	213	GPMGR-1X	68
EMF-1018-1000	231	GAZ12-14-80	766	GLA10-60	213	GPMGR-2	68
EMF-1818-1000	231	GAZ12-14-120	766	GLA10-90	213	GPMGR-2J	68
EMF-2510-1000	230	GAZ20-20-50	766	GLA14-40	213	GPMGR-2X	68
EMF-2510-2000	230	GAZ20-20-100	766	GLA14-80	213	GPMGR-3	68
EMF-2518-1000	230	GAZ20-20-150	766	GLA14-120	213	GPMGR-3J	68
EMF-2518-2000	230	GAZ32-20-50	766	GLA20/30-50	213	GPMGR-3X	68
EMF-2525-1000	230	GAZ32-20-100	766	GLA20/30-100	213	GP-SWH-G-50	52
EMF-2525-2000	230	GAZ32-20-150	766	GLA20/30-150	213	GP-SWH-G-90	52
EMF-4040-1000	230	GAZ-S-12-10-30	767	GLA20-50	213	GP-SWH-G-150	52
EMF-4040-2000	230	GAZ-S-12-10-60	767	GLA20-50-BS	226	GRF-14-35-VA	523
EMF-5025-1000	230	GAZ-S-12-10-90	767	GLA20-100	213	GRF-14-90-VA	524
EMF-5025-2000	230	GAZ-S-12-14-40	767	GLA20-100-BS	226	GRF-14-95-VA	522
EMF-8040-1000	230	GAZ-S-12-14-80	767	GLA20-150	213	GRF-14-95-VA-EP	522
EMF-8040-2000	230	GAZ-S-12-14-120	767	GLA20-150-BS	226	GRF20-35V	523
EOAT-HANDLE	82	GAZ-S-20-20-50	767	GLA30/30-80	213	GRF-20-35-VA-EP	523
EPL1-25X	194	GAZ-S-20-20-100	767	GLA30/30-140	213	GRF20-90V	524
EPL1-50-25X	194	GAZ-S-20-20-150	767	GLA30/30-200	213	GRF20-95EP	522
EPL2-25X	194	GAZ-S-32-20-50	767	GLA-V-10-10-30	214	GRF20-95V	522
EPL2-50X	194	GAZ-S-32-20-100	767	GLA-V-10-10-60	214	GRF30-35V	523
EPL3-25X	194	GAZ-S-32-20-150	767	GLA-V-10-10-90	214	GRF30-90V	524
EPL3-40J	194	GCP-8020-1010-1M	266	GLA-V-14-14-40	214	GRF30-95V	522
EPL3-50X	194	GCP-8020-1010-2M	266	GLA-V-14-14-80	214	GRF-30-95-VA-EP	522
EPL3-80J	194	GCP-8020-1020-1M	266	GLA-V-14-14-120	214	GRZ-06-06	490
EQC20-A	116	GCP-8020-1020-2M	266	GLA-V-20-20-50	214	GRZ-06-06-EP	490
EQC20-B	116	GEO-10	987	GLA-V-20-20-50-BS	227	GRZ-06-08	491
EQC20-K1	116	GFD20-90	525	GLA-V-20-20-100	214	GRZ-10-06	490
EQC20-K50	116	GFD-20-90-EP90	525	GLA-V-20-20-100-BS	227	GRZ-10-08-AH	487
EQC20-K63	116	GFD30-90	525	GLA-V-20-20-150	214	GRZ-10-08-CF-NPN	489
EQC20N-A	116	GFD-30-90-EP90	525	GLA-V-20-20-150-BS	227	GRZ-10-08-CF-PNP	489
EQC20TM-A	116	GGE6-20	222	GLA-V-30-30-80	214	GRZ-10-08-CM	486
EQC20U-A	116	GGE6-40	222	GLA-V-30-30-140	214	GRZ-10-08-CMG-EP	486
EVB25X	202	GGE6-60	222	GLA-V-30-30-200	214	GRZ-10-08-C-NPN	488
EVB40J	202	GGE10-30	219	GMB-GSGW-10	629	GRZ-10-08-C-PNP	488
EVB50X	202	GGE10-60	219	GMB-GSGW-16	629	GRZ-10-08-C-WK-NPN	489
F02-G8F	357	GGE10-90	219	GMB-GSGW-20	629	GRZ-10-08-C-WK-PNP	489
F02-G8M	357	GGE14-40	219	GMB-GSGW-25	629	GRZ10-12	476

## Part Number Index

Part #	Page #		
GRZ-10-12-A	485	GRZ-AD-20-16	1069
GRZ-10-12-A1	485	GS-10	630
GRZ-10-12-AH	483	GS-10-FBA	637
GRZ-10-12-AH-EP	481	GS-10-FBN	637
GRZ-10-12-BG	476	GS-10-NC	630
GRZ-10-12-CFS-EP-PNP	480	GS-10-NO	630
GRZ-10-12-CRS-EP-NPN	480	GS-16	630
GRZ-10-12-CS-NPN	477	GS-16-FBA	637
GRZ-10-12-CS-PNP	477	GS-16-FBN	637
GRZ-10-12-DB	483	GS-16-NC	630
GRZ-10-12-EP	481	GS-16-NO	630
GRZ-10-12-G	478	GS-20	630
GRZ-10-12-KK	478	GS-20-FBA	637
GRZ-10-12-PK	478	GS-20-FBN	637
GRZ-10-12-RB-CS-NPN	482	GS-20-NC	630
GRZ-10-12-RB-CS-PNP	482	GS-20-NO	630
GRZ-10-12-R-HT	476	GS-25	630
GRZ-10-12-S	479	GS-25-FBA	637
GRZ-10-12-SCS-NPN	479	GS-25-FBN	637
GRZ-10-12-SCS-PNP	479	GS-25-NC	630
GRZ-10-12-Z	484	GS-25-NO	630
GRZ-14-A	473	GS-32	630
GRZ-14-D-A	472	GS-40	630
GRZ-14-EP	471	GSC-20ABB-B	855
GRZ-14-PS-CS-NPN	475	GSC-8020-2015	266
GRZ-14-PS-CS-PNP	475	GSC-8020-2025	266
GRZ-14-PU	471	GSC-8020-2026	266
GRZ-14-R	470	GSC-8020-4015	268
GRZ-14-RCS-NPN	475	GSC-8020-4016	268
GRZ-14-RCS-PNP	475	GSC-8020-4112	270
GRZ-14-S	471	GSC-8020-4113	268
GRZ-14-SCS-NPN	474	GSC-8020-4114	268
GRZ-14-SCS-PNP	474	GSC-8020-4115	268
GRZ20-16	493	GSC-8020-4117	270
GRZ20-16A	496	GSC-8020-4118	270
GRZ-20-16-CS-NPN	493	GSC-8020-4119	268
GRZ-20-16-CS-PNP	493	GSC-8020-4128	271
GRZ-20-16-DB	498	GSC-8020-4129	271
GRZ-20-16-EP	497	GSC-8020-4132	269
GRZ-20-16-G	497	GSC-8020-4134	269
GRZ-20-16-HW	499	GSC-8020-4136	269
GRZ-20-16-K	494	GSC-8020-4138	269
GRZ-20-16-PK	497	GSC-8020-4140	270
GRZ-20-16-PU	497	GSC-8020-4150	271
GRZ20-16R	492	GSC-8020-4151	271
GRZ-20-16-RCS-NPN	494	GSC-8020-4152	271
GRZ-20-16-RCS-PNP	494	GSC-8020-4166	270
GRZ20-16S	495	GSC-8020-4730	272
GRZ-20-16-SCS-NPN	495	GSC-8020-4731	272
GRZ-20-16-SCS-PNP	495	GSC-8020-4732	272
GRZ-20-20	462	GSC-8020-4733	272
GRZ-20-20-A	464	GSC-8020-4734	272
GRZ-20-20-CS-NPN	466	GSC-8020-4735	272
GRZ-20-20-CS-PNP	466	GSC-8020-4736	272
GRZ-20-20-EP	463	GSC-8020-4737	272
GRZ-20-20-PU	463	GSC-8020-4738	272
GRZ-20-20-RCS-NPN-EP	466	GSC-8020-4739	272
GRZ-20-20-RCS-PNP-EP	466	GSC-8020-4740	272
GRZ-20-20-S	465	GSC-8020-4741	272
GRZ-20-20-SCS-NPN	467	GSC-8020-4742	272
GRZ-20-20-SCS-PNP	467	GSC-8020-4743	272
GRZ-20-20-SL	464	GSC-8020-4744	272
GRZ-20-20-Z	465	GSC-8020-4745	272
GRZ-20-20-ZC-NPN	467	GSC-8020-4750	273
GRZ-20-20-ZC-PNP	467	GSC-8020-4751	273
GRZ-20-PS-CS-NPN	467	GSC-8020-4752	273
GRZ-20-PS-CS-PNP	467	GSC-8020-4753	273
GRZ-32	500	GSC-8020-4760	274
GRZ-32-CS-NPN	500	GSC-8020-4761	274
GRZ-32-CS-PNP	500	GSC-8020-4762	274
GRZ-AD-20-16	499	GSC-8020-4763	274
		GSC-8020-4770	275
		GSC-8020-4771	275
		GSC-8020-4772	275
		GSC-8020-4773	275
		GSC-8020-4780	276
		GSC-8020-4781	276
		GSC-8020-4782	276
		GSC-8020-4929	266
		GSC-8020-4930	266
		GSC-8020-4931	266
		GSC-8020-4932	266
		GSC-8020-4933	266
		GSC-8020-4939	266
		GSC-8020-4940	266
		GSC-8020-4941	266
		GSC-8020-4942	266
		GSC-8020-4943	266
		GSC-8020-4944	266
		GSC-8020-4945	266
		GSC-8020-4946	266
		GSC-8020-4949	266
		GSC-20100-A	854
		GSC-20200-A	854
		GSC-20300-A	854
		GSC-CCPP-1	769
		GSC-CSA-10	983
		GSC-DCP-0	80
		GSC-DCP-1	80
		GSC-DCP-2	80
		GSC-DCP-3	80
		GSC-DQCAP-0	81
		GSC-DQCAP-1	81
		GSC-DQCAP-2	81
		GSC-DQCAP-3	81
		GSC-FGB-1	503
		GSC-GMB-150	43
		GSC-GMB-225	46
		GSC-M2.5-4	1076
		GSC-M2.5-5	1076
		GSC-M2.5-6	1076
		GSC-M2.5-8	1076
		GSC-M2.5-10	1076
		GSC-M2.5-12	1076
		GSC-M2.5-14	1076
		GSC-M2.5-16	1076
		GSC-M2.5-FW	1076
		GSC-M2.5-LW	1076
		GSC-M2.5-N	1076
		GSC-M2.5-W	1076
		GSC-M3-5	1076
		GSC-M3-5-6	1076
		GSC-M3-5-10	1076
		GSC-M3-5-16	1076
		GSC-M3-5-20	1076
		GSC-M3.5-LW	1076
		GSC-M3-6	1076
		GSC-M3-8	1076
		GSC-M3-10	1076
		GSC-M3-12	1076
		GSC-M3-14	1076
		GSC-M3-16	1076
		GSC-M3-18	1076
		GSC-M3-20	1076
		GSC-M3-22	1076
		GSC-M3-25	1076
		GSC-M3-30	1076
		GSC-M3-35	1076
		GSC-M3-40	1076
		GSC-M3-FW	1076
		GSC-M3-LN-ZP-NI	1076
		GSC-M3-LW	1076
		GSC-M3-N	1076
		GSC-M3-W	1076
		GSC-M4-5	1077
		GSC-M4-6	1077
		GSC-M4-8	1077
		GSC-M4-10	1077
		GSC-M4-12	1077
		GSC-M4-14	1077
		GSC-M4-16	1077
		GSC-M4-18	1077
		GSC-M4-20	1077
		GSC-M4-22	1077
		GSC-M4-25	1077
		GSC-M4-30	1077
		GSC-M4-35	1077
		GSC-M4-40	1077
		GSC-M4-50	1077
		GSC-M4-FW	1077
		GSC-M4-LN-ZP-NI	1077
		GSC-M4-LW	1077
		GSC-M4-N	1077
		GSC-M4-W	1077
		GSC-M5-6	1077
		GSC-M5-8	1077
		GSC-M5-10	1077
		GSC-M5-10LH	1077
		GSC-M5-12	1077
		GSC-M5-12LH	1077
		GSC-M5-14	1077
		GSC-M5-16	1077
		GSC-M5-16LH	1077
		GSC-M5-18	1077
		GSC-M5-20	1077
		GSC-M5-20LH	1077
		GSC-M5-22	1077
		GSC-M5-25	1077
		GSC-M5-30	1077
		GSC-M5-35	1077
		GSC-M5-40	1077
		GSC-M5-45	1077
		GSC-M5-50	1077
		GSC-M5-60	1077
		GSC-M5-FW	1077
		GSC-M5-LN	1077
		GSC-M5-LN-ZP-NI	1077
		GSC-M5-LW	1077
		GSC-M5-LWT	1077
		GSC-M5-N	1077
		GSC-M5-W	1077
		GSC-M6-10	1077
		GSC-M6-12	1077
		GSC-M6-14	1077
		GSC-M6-16	1077
		GSC-M6-18	1077
		GSC-M6-20	1077
		GSC-M6-22	1077
		GSC-M6-25	1077
		GSC-M6-30	1077
		GSC-M6-FW	1077
		GSC-M6-LN	1077
		GSC-M6-LW	1077
		GSC-M6-LWT	1077
		GSC-M6-N	1077
		GSC-M6-TN	1077
		GSC-M6-W	1077
		GSC-M8-10	1077
		GSC-M8-12	1077
		GSC-M8-16	1077
		GSC-M8-18	1077
		GSC-M8-20	1077
		GSC-M8-22	1077

## Part Number Index

Part #	Page #						
GSC-M8-25	1077	GSE-8020-4937	267	GSE-U-10-1/8-M5-60	218	GSF-FCE-M304	1015
GSC-M8-30	1077	GSE-8020-4938	267	GSE-U-10-1/8-M5-90	218	GSF-FCE-M504	1015
GSC-M8-FW	1077	GSE-8020-4942	267	GSE-U-10-M5-M5-30	218	GSF-FCE-M506	1015
GSC-M8-LN	1077	GSE-8020-4947	267	GSE-U-10-M5-M5-60	218	GSF-FC-G4	1068
GSC-M8-LW	1077	GSE-8020-4948	267	GSE-U-10-M5-M5-90	218	GSF-FC-G8	1068
GSC-M8-LWT	1077	GSE-8020-4949	267	GSE-U-14-1/8-1/8-40	218	GSF-FC-G8M8	1068
GSC-M8-N	1077	GSE-8020-4950	267	GSE-U-14-1/8-1/8-80	218	GSF-FCI-04	1015
GSC-M8-TN	1077	GSE-8020-4951	266	GSE-U-14-1/8-1/8-120	218	GSF-FCI-06	1015
GSC-M8-W	1077	GSE-8020-4952	267	GSE-U-20-1/4-1/8-50	218	GSF-FCI-08	1015
GSC-M10-20	1077	GSE-25200-CHTC	910	GSE-U-20-1/4-1/8-100	218	GSF-FC-M5	1068
GSC-M10-25	1077	GSE-AND-EU-4P	998	GSE-U-20-1/4-1/8-150	218	GSF-FCS-G806	1015
GSC-M10-30	1077	GSE-AND-EU-8P	999	GSF-04AJ	423	GSF-FCS-M304	1015
GSC-M10-LW	1077	GSE-BCS001L	983	GSF-04AL	423	GSF-FCS-M504	1015
GSC-M10-LWT	1077	GSE-BCS001N	983	GSF-2575-CR	332	GSF-FCS-M506	1015
GSC-M10-TN	1077	GSE-BCS0026	983	GSF-515618-CR	332	GSF-FMC-G8M5	1069
GSC-M12-LW	1077	GSE-BCS0028	983	GSF-8241030-CR	332	GSF-G-G4	1068
GSC-M14-LW	1077	GSE-CS90-M81	984	GSF-15452060-CR	332	GSF-G-G8	1068
GSC-M15x1-TN	1077	GSE-CS90-M82	984	GSF-AF-M8R8	1068	GSF-G-M3	1068
GSC-M16-LW	1077	GSE-CS180-M81	984	GSF-BE-M304	1070	GSF-G-M5	1068
GSC-M16-LWT	1077	GSE-CS180-M82	984	GSF-BE-M504	1070	GSF-G-M5W	1068
GSC-M20-LW	1077	GSE-D-M9NVL	1004	GSF-BE-M506	1070	GSF-GPR-06	1014
GSC-M25-LW	1077	GSE-D-M9PVL	1004	GSF-BES-G803	1070	GSF-GPR-08	1014
GSC-MB-ZG1625	847	GSE-E12269	181	GSF-BES-G804	1070	GSF-GPR-G406	1014
GSC-MPB-G8	1066	GSE-FS-MC8N	970	GSF-BES-G806	1070	GSF-GPR-G408	1014
GSC-MPB-M5	1066	GSE-FS-MC8P	970	GSF-BF-G8	1068	GSF-GPR-G806	1014
GSC-N-G8	1077	GSE-FS-N40	970	GSF-BF-M5	1068	GSF-HSE-G4	1063
GSC-N-M16	1077	GSE-FS-N41N	970	GSF-BS-G804	1070	GSF-HSE-G8	1063
GSC-OAH-15MB	579	GSE-FS-N41P	970	GSF-BS-G806	1070	GSF-HSE-M5	1063
GSC-OAH-25MB	579	GSE-FS-N42N	970	GSF-BS-G808	1070	GSF-HSN-G8F	422
GSC-OAH-35MB	579	GSE-FS-N42P	970	GSF-BS-M304	1070	GSF-HSN-G8M	422
GSC-OAH-45MB	579	GSE-FU-53FZ	973	GSF-BS-M504	1070	GSF-HSN-M5F	422
GSC-PEB-2011	976	GSE-FU-57TE	973	GSF-BS-M506	383	GSF-HSN-M5M	422
GSC-PEB-2013	977	GSE-FU-79U	973	GSF-BS-M506	1070	GSF-HTN1-G8F	333
GSC-PEB-2015	974	GSE-HRTR-NPN	976	GSF-BS-R804	1070	GSF-HTN1-G8F	367
GSC-PEB-2017	974	GSE-HRTR-PNP	976	GSF-BS-R806	1070	GSF-HTN1-G8F	367
GSC-PRMB-3850	1014	GSE-NAN-3A	985	GSF-BTS-G803	1070	GSF-HTN1-G8F	367
GSC-QCAP-1	40	GSE-NAN-3F	985	GSF-BTS-G804	1070	GSF-HTN1-G8F	373
GSC-QCAP-1B	41	GSE-O8H208	975	GSF-BTS-G806	1070	GSF-HTN1-G8M	333
GSC-QCAP-2	42	GSE-O8H209	975	GSF-BTS-M303	1070	GSF-HTN1-M5F	333
GSC-QCAP-L	44	GSE-O8H210	975	GSF-BTS-M504	1070	GSF-HTN2-G8FL	332
GSC-QCAP-L90	56	GSE-O8H211	975	GSF-BTS-M506	1070	GSF-HTN2-G8ML	332
GSC-QCAP-L90SM	56	GSE-PPE350-NPN	977	GSF-BTU-M504	1071	GSF-HTN2-M5FM	332
GSC-QCAP-LB	45	GSE-PPE350-PNP	977	GSF-BTU-M506	1071	GSF-HTN2-M5FX5	332
GSC-RMB-2	938	GSE-PQ-0834	986	GSF-BTU-M525	1071	GSF-HTN2-M5MM	332
GSC-RMB-3	938	GSE-PQ-7834	986	GSF-BUL-03	1071	GSF-HTN2-M5MX5	332
GSC-RMB-4	938	GSE-PR-FB30C3PL	974	GSF-BUL-04	1071	GSF-HTN4-G4F	333
GSC-RMB-HC15	502	GSE-PR-FB30CN	974	GSF-BUL-06	1071	GSF-HTN4-G4M	333
GSC-RMB-HC20	502	GSE-PR-FB30CP	974	GSF-BUS-03	1071	GSF-IB-G8G4	1069
GSC-RMB-HC30	502	GSE-PR-MB30C3PL	974	GSF-BUS-04	1071	GSF-LRMA-QS-6	1014
GSC-SSS-2.5X4	1003	GSE-PR-MB30CN	974	GSF-BUS-06	1071	GSF-MAN-G8X4	1062
GSC-TAP-G4B	1076	GSE-PR-MB30CP	974	GSF-BUS-0304	1071	GSF-MAN-G8x08	1062
GSC-TAP-G4P	1076	GSE-RCS-8FS-5000	181	GSF-BUS-0406	1071	GSF-MAN-G8x12	1062
GSC-TAP-G8B	1076	GSE-RCS-8FS-5000	984	GSF-BUT-03	1071	GSF-MAN-G41G84	1061
GSC-TAP-G8P	1076	GSE-RFC-M8-4P	181	GSF-BUT-04	1071	GSF-MAN-M5X4	1062
GSC-TMB-45	458	GSE-RFC-M8-4P	984	GSF-BUT-06	1071	GSF-MN1-M3	412
GSC-TMB-45	753	GSE-SSW-15	987	GSF-BUY-03	1071	GSF-MN15-M3	357
GSC-VMB-MCHS	539	GSE-TCHP-CM	905	GSF-BUY-04	1071	GSF-MN15-M3	412
GSC-VMB-MCY	753	GSE-TCHP-CM2	905	GSF-BUY-06	1071	GSF-N16-M5M	333
GSC-VSB-HC15	502	GSE-TCHP-CM3	905	GSF-BVC01-4	1015	GSF-N17-M3M	412
GSC-VSB-HC20	502	GSE-TCHP-CM4	905	GSF-BVC01-6	1015	GSF-N21-M5F	332
GSE-8020-4911	267	GSE-TSC180-M803	984	GSF-BVU4-4	1015	GSF-N21-M5M	332
GSE-8020-4912	267	GSE-TSC180-M805	984	GSF-BVU6-6	1015	GSF-N22-G8F	408
GSE-8020-4913	267	GSE-TSC180-M812	984	GSF-EF-M5	1071	GSF-N24-M5M	391
GSE-8020-4914	267	GSE-TSCE-M825	985	GSF-EQE-4	1015	GSF-N25-M5M	391
GSE-8020-4918	267	GSE-U-6-M3-M3-20	223	GSF-EQE-6	1015	GSF-N26-M5M	391
GSE-8020-4919	266	GSE-U-6-M3-M3-40	223	GSF-EU-M5	1071	GSF-N27-G8M	391
GSE-8020-4920	267	GSE-U-6-M3-M3-60	223	GSF-FCB-G806	1015	GSF-NF0-G4F	409
GSE-8020-4928	267	GSE-U-6-M6-M3-20	223	GSF-FCB-M504	1015	GSF-NF1-M5	357
GSE-8020-4931	267	GSE-U-6-M6-M3-40	223	GSF-FCB-M506	1015	GSF-NF2-G8M5	357
GSE-8020-4934	267	GSE-U-6-M6-M3-60	223	GSF-FCE-G806	1015	GSF-NF3-G8	357
GSE-8020-4935	267	GSE-U-10-1/8-M5-30	218	GSF-FCE-G1406	1015	GSF-NF4-G8	1069



## Part Number Index

Part #	Page #						
GSF-NF5-G8F	357	GSF-QMA-G804	1051	GSF-QSU-04	1050	GSF-RME-R810	1048
GSF-NF8-G4F	423	GSF-QMA-G806	1051	GSF-QSU-06	1050	GSF-RME-U406	1072
GSF-NF9-G8M	408	GSF-QMA-G808	1051	GSF-QSU-08	1050	GSF-RME-U408	1072
GSF-NF9-G8M	409	GSF-QMA-M504	1051	GSF-QSU-10	1050	GSF-RME-U806	1072
GSF-NF11-M5	357	GSF-QMA-M506	1051	GSF-QTU-04	1051	GSF-RME-U808	1072
GSF-N-G8	1069	GSF-QMC-G406	1047	GSF-QTU-06	1051	GSF-RMS-R406	1047
GSF-N-G8G4	1069	GSF-QMC-G408	1047	GSF-QTU-08	1051	GSF-RMS-R408	1047
GSF-N-M3	1069	GSF-QMC-G410	1047	GSF-QTU-10	1051	GSF-RMS-R410	1047
GSF-N-M5	1069	GSF-QMC-G804	1047	GSF-QTU-0406	1051	GSF-RMS-R804	1047
GSF-N-M5G8	1069	GSF-QMC-G806	1047	GSF-QTU-0604	1051	GSF-RMS-R806	1047
GSF-NPT-N4G4	1068	GSF-QMC-G808	1047	GSF-QTU-0608	1051	GSF-RMS-R808	1047
GSF-NPT-N8G8	1068	GSF-QMC-M304	1047	GSF-QTU-0806	1051	GSF-RMS-R810	1047
GSF-NPT-R4N4	1068	GSF-QMC-M504	1047	GSF-QTU-1008	1051	GSF-RMT-U406	1072
GSF-NPT-R8M5	1069	GSF-QMC-M506	1047	GSF-QXU-04	1052	GSF-RMT-U408	1072
GSF-NPT-R8N8	1068	GSF-QMC-R804	1047	GSF-QXU-06	1052	GSF-RMT-U806	1072
GSF-NX-M5	1068	GSF-QMC-R806	1047	GSF-QXU-08	1052	GSF-RMT-U808	1072
GSF-PFN2-G4F	424	GSF-QME-G406	1048	GSF-QYU-04	1052	GSF-RMX-R406	1049
GSF-PFN3-G4F	425	GSF-QME-G408	1048	GSF-QYU-06	1052	GSF-RMX-R408	1049
GSF-PFN4-G4F	367	GSF-QME-G410	1048	GSF-QYU-08	1052	GSF-RMX-R410	1049
GSF-PFN4-G4F	373	GSF-QME-G804	1048	GSF-QYU-0604	1052	GSF-RMX-R804	1049
GSF-PFN4-G4F	425	GSF-QME-G806	1048	GSF-QYU-0806	1052	GSF-RMX-R806	1049
GSF-PFN-G8F	333	GSF-QME-G808	1048	GSF-RB-G4G8	1069	GSF-RMX-R808	1049
GSF-PFN-G8F	366	GSF-QME-M304	1048	GSF-RB-G4M5	1069	GSF-SBT-G406	1050
GSF-PFN-G8F	366	GSF-QME-M504	1048	GSF-RB-G8M5	1069	GSF-SBT-G408	1050
GSF-PFN-G8F	366	GSF-QME-M506	1048	GSF-RB-M5M3	1069	GSF-SBT-G410	1050
GSF-PFN-G8F	366	GSF-QME-R804	1048	GSF-RB-M16G8	1069	GSF-SBT-G804	1050
GSF-PFN-G8F	373	GSF-QME-R806	1048	GSF-RB-R8M5	1069	GSF-SBT-G806	1050
GSF-PFN-G8M	333	GSF-QMX-G804	1049	GSF-RBT-R406	1050	GSF-SBT-G808	1050
GSF-PFN-G8M	366	GSF-QMX-G806	1049	GSF-RBT-R408	1050	GSF-SBT-G810	1050
GSF-PFN-G8M	366	GSF-QMX-G808	1049	GSF-RBT-R410	1050	GSF-SBT-M504	1050
GSF-PFN-G8M	373	GSF-QMX-M504	1049	GSF-RBT-R804	1050	GSF-SBT-M506	1050
GSF-PR-G406	1014	GSF-QMX-M506	1049	GSF-RBT-R806	1050	GSF-SEA-G8	1066
GSF-PR-G408	1014	GSF-QN-04	1055	GSF-RBT-R808	1050	GSF-SE-G8	1063
GSF-PR-G804	1014	GSF-QN-06	1055	GSF-RBT-R810	1050	GSF-SEU-04	1051
GSF-PR-G806	1014	GSF-QN-08	1055	GSF-RFC-G8G4	1068	GSF-SEU-06	1051
GSF-PR-G808	1014	GSF-QP-04	1055	GSF-RFC-G8M5	1068	GSF-SEU-08	1051
GSF-QBT-G406	1050	GSF-QP-06	1055	GSF-RFC-R406	1048	GSF-SEU-10	1051
GSF-QBT-G408	1050	GSF-QP-08	1055	GSF-RFC-R408	1048	GSF-SFC-G406	1048
GSF-QBT-G410	1050	GSF-QP-10	1055	GSF-RFC-R410	1048	GSF-SFC-G408	1048
GSF-QBT-G804	1050	GSF-QPE-04	1053	GSF-RFC-R804	1048	GSF-SFC-G410	1048
GSF-QBT-G806	1050	GSF-QPE-06	1053	GSF-RFC-R806	1048	GSF-SFC-G804	1048
GSF-QBT-G808	1050	GSF-QPE-08	1053	GSF-RFC-R808	1048	GSF-SFC-G806	1048
GSF-QBT-M304	1050	GSF-QPE-0406	1053	GSF-RFC-U406	1072	GSF-SFC-G808	1048
GSF-QBT-M504	1050	GSF-QPE-0604	1053	GSF-RFC-U408	1072	GSF-SFE-2	1015
GSF-QBT-M506	1050	GSF-QPE-0806	1053	GSF-RFC-U806	1072	GSF-SFE-3	1015
GSF-QBT-R804	1050	GSF-QPI-0406	1055	GSF-RFC-U808	1072	GSF-SFE-M504	1049
GSF-QBT-R806	1050	GSF-QPI-0608	1055	GSF-RFE-R406	1049	GSF-SFE-M506	1049
GSF-QDPY-0604	1054	GSF-QPR-0604	1055	GSF-RFE-R408	1049	GSF-SFU2-0404	1015
GSF-QDPY-0806	1054	GSF-QPR-0806	1055	GSF-RFE-R410	1049	GSF-SFU2-0606	1015
GSF-QDY-04	1053	GSF-QPT-04	1053	GSF-RFE-R804	1049	GSF-SFU3-0808	1015
GSF-QDY-06	1053	GSF-QPT-06	1053	GSF-RFE-R806	1049	GSF-SMC-G406	1047
GSF-QDY-0604	1053	GSF-QPT-08	1053	GSF-RFE-R808	1049	GSF-SMC-G408	1047
GSF-QDY-0806	1053	GSF-QPT-0604	1053	GSF-RMC-M506	1072	GSF-SMC-G410	1047
GSF-QEU-04	1051	GSF-QPT-0806	1053	GSF-RMC-M606	1072	GSF-SMC-G804	1047
GSF-QEU-06	1051	GSF-QPY-04	1054	GSF-RMC-R406	1047	GSF-SMC-G806	1047
GSF-QEU-08	1051	GSF-QPY-06	1054	GSF-RMC-R408	1047	GSF-SMC-G808	1047
GSF-QEU-10	1051	GSF-QPY-08	1054	GSF-RMC-R410	1047	GSF-SMC-G810	1047
GSF-QFC-G406	1048	GSF-QPY-0604	1054	GSF-RMC-R804	1047	GSF-SMC-M504	1047
GSF-QFC-G408	1048	GSF-QPY-0806	1054	GSF-RMC-R806	1047	GSF-SMC-M506	1047
GSF-QFC-G804	1048	GSF-QRN-0604	1055	GSF-RMC-R808	1047	GSF-SME-G406	1048
GSF-QFC-G806	1048	GSF-QRN-0806	1055	GSF-RMC-R810	1047	GSF-SME-G408	1048
GSF-QFC-G808	1048	GSF-QRN-1008	1055	GSF-RMC-U406	1072	GSF-SME-G410	1048
GSF-QFC-M504	1048	GSF-QRU-0604	1050	GSF-RMC-U408	1072	GSF-SME-G804	1048
GSF-QFC-M506	1048	GSF-QRU-0806	1050	GSF-RMC-U806	1072	GSF-SME-G806	1048
GSF-QFE-G406	1049	GSF-QRU-1008	1050	GSF-RMC-U808	1072	GSF-SME-G808	1048
GSF-QFE-G408	1049	GSF-QSC-G406	1051	GSF-RME-R406	1048	GSF-SME-G810	1048
GSF-QFE-G804	1049	GSF-QSC-G408	1051	GSF-RME-R408	1048	GSF-SME-M504	1048
GSF-QFE-G806	1049	GSF-QSC-G804	1051	GSF-RME-R410	1048	GSF-SME-M506	1048
GSF-QFE-G808	1049	GSF-QSC-G806	1051	GSF-RME-R804	1048	GSF-SMS-G410	1047
GSF-QFE-M504	1049	GSF-QSC-G808	1051	GSF-RME-R806	1048	GSF-SMS-G806	1047
GSF-QFE-M506	1049	GSF-QSC-M504	1051	GSF-RME-R808	1048	GSF-SMS-G808	1047

## Part Number Index

Part #	Page #						
GSF-SMS-M504	1047	GSF-VPN-M5	393	GSG-HR400-90	820	GSN-BA-HR20	960
GSF-SMS-M506	1047	GSF-VPN-M8F	393	GSG-HR400-90D	821	GSN-BA-HR30	960
GSF-SMX-G406	1049	GSF-VSA-4	416	GSG-HR400-180	820	GSN-BA-HR50	960
GSF-SMX-G408	1049	GSF-VSA-5	416	GSG-HR400-180D	821	GSN-BA-S2	960
GSF-SMX-G410	1049	GSF-VSA-16	419	GSG-HR400-MH	820	GSN-BA-S3	960
GSF-SMX-G804	1049	GSF-VSA-17	418	GSG-IAH-10N	578	GSN-BA-S5	960
GSF-SMX-G806	1049	GSF-ZPT2-M5S	383	GSG-IAH-12N	578	GSN-BA-S7	960
GSF-SMX-G808	1049	GSF-ZPT3-G8	383	GSG-IAH-17N	578	GSN-BA-S10	960
GSF-SMX-M504	1049	GSF-ZPT4-G8	383	GSG-IAH-21N	578	GSN-BA-S12	960
GSF-SMX-M506	1049	GSG-08A-FB06	557	GSG-IAH-25S	578	GSN-BA-S20	960
GSF-SSU-04	1050	GSG-08A-FB16	557	GSG-IAH-27N	578	GSN-BA-S30	960
GSF-SSU-06	1050	GSG-08A-FS06	557	GSG-IAH-27NS	578	GSN-BA-S50	960
GSF-SSU-08	1050	GSG-08A-FS16	557	GSG-IAH-30S	578	GSN-BC-05	860
GSF-SSU-10	1050	GSG-08A-S	557	GSG-IAH-32N	578	GSN-BC-10	864
GSF-ST-G8	1063	GSG-08A-SPM	556	GSG-IAH-32NS	578	GSN-BC-20	870
GSF-STU-04	1051	GSG-08A-SPMF	556	GSG-IAH-35S	578	GSN-BC-30	880
GSF-STU-06	1051	GSG-11A-FB08	559	GSG-IAH-36N	578	GSN-BC-50	892
GSF-STU-08	1051	GSG-11A-FB20	559	GSG-IAH-36NS	578	GSN-F1	861
GSF-STU-10	1051	GSG-11A-FS08	559	GSG-IAH-40S	578	GSN-F1E	948
GSF-T-M5	1071	GSG-11A-FS20	559	GSG-IAH-42S	578	GSN-F1EK	948
GSF-TPP-G8	1068	GSG-11A-S	558	GSG-IAH-44N	578	GSN-F3	869
GSF-TPP-M3	1068	GSG-11A-SF	559	GSG-IAH-44NS	578	GSN-F3E	948
GSF-TPP-M5	1068	GSG-11A-SPM	558	GSG-IAH-52N	578	GSN-F3EK	948
GSF-TPP-U4	1068	GSG-11A-SPMF	558	GSG-IAH-52NS	578	GSN-F5	872
GSF-TPP-U8	1068	GSG-AA-20	454	GSG-IAH-58S	578	GSN-F5E	948
GSF-TU-M3	1071	GSG-AA-20-NO	454	GSG-IAH-65N	578	GSN-F5EK	948
GSF-TU-M5	1071	GSG-AA-22	456	GSG-IAH-65NS	578	GSN-F9E	948
GSF-UFC-G804	1073	GSG-AA-22-NO	456	GSG-IAH-85N	578	GSN-F9EK	948
GSF-UFC-G806	1073	GSG-AA-22-RF	456	GSG-IAH-85NS	578	GSN-F9P	882
GSF-UFC-G808	1073	GSG-AA-26S	457	GSG-IAH-105N	578	GSN-F9P	894
GSF-UFC-M504	1073	GSG-AA-26S-NO	457	GSG-IAH-105NS	578	GSN-F9PS	889
GSF-UMC-M504	1073	GSG-AGAF-45	454	GSG-IAH-P010NC	578	GSN-F10E	948
GSF-UMC-M506	1073	GSG-AGSF-45	454	GSG-IAH-P014NC	578	GSN-F10EK	948
GSF-UMC-U308	1073	GSG-ASG-STP	454	GSG-IAH-P017NC	578	GSN-FD1	863
GSF-UMC-U310	1073	GSG-CP-013	754	GSG-IAH-P019NC	578	GSN-FD3	869
GSF-UMC-U406	1073	GSG-CP-014	754	GSG-IAH-P022NC	578	GSN-FD5	874
GSF-UMC-U408	1073	GSG-CP-015	755	GSG-IAH-P025NC	578	GSN-FD9P	884
GSF-UMC-U804	1073	GSG-CP-016	755	GSG-IAH-P035NC	578	GSN-FG3	952
GSF-UMC-U806	1073	GSG-CP-018	755	GSG-IAH-P045NC	578	GSN-FG3K	952
GSF-UMC-U808	1073	GSG-CP-060	755	GSG-IAH-P055NC	578	GSN-FG5	952
GSF-UME-U308	1073	GSG-CP-061	755	GSG-IS3-NPN	1004	GSN-FG5K	952
GSF-UME-U310	1073	GSG-CP-071	755	GSG-IS3-PNP	1004	GSN-FG10	952
GSF-UME-U406	1073	GSG-CP-072	755	GSG-IS-NPN	1004	GSN-FG10K	952
GSF-UME-U408	1073	GSG-CP-074	755	GSG-IS-PNP	1004	GSN-GN-05	827
GSF-UME-U804	1073	GSG-CP-R	755	GSG-KRC-5	754	GSN-GN05-RK	959
GSF-UME-U806	1073	GSG-CP-SI	755	GSG-KRC-5-SW	754	GSN-GN-05S	826
GSF-UME-U808	1073	GSG-GP-300	755	GSG-KRCW-5000	754	GSN-GN-10	827
GSF-UMT-M504	1073	GSG-GP-300B	755	GSG-LPG8-MB	669	GSN-GN10-RK	959
GSF-UMT-U308	1073	GSG-GRF14-PSP	529	GSG-LPG12-MB	669	GSN-GN-10S	826
GSF-UMT-U310	1073	GSG-GRF20-PSP	529	GSG-MCD-10	752	GSN-GN-20	827
GSF-UMT-U406	1073	GSG-HC15-AP	503	GSG-MCD-20	752	GSN-GN20-RK	959
GSF-UMT-U408	1073	GSG-HC15-BP	503	GSG-MCY-HS	539	GSN-GN-20S	826
GSF-UMT-U804	1073	GSG-HC15-CP	503	GSG-MCY-RP	539	GSN-GN-30	827
GSF-UMT-U806	1073	GSG-HC15-HBK	503	GSG-OAH-15N	579	GSN-GN30-RK	959
GSF-UMT-U808	1073	GSG-HC20-AD	503	GSG-OAH-15S	579	GSN-GN-30S	826
GSF-UN-U3U3	1069	GSG-HC20-AP	503	GSG-OAH-25N	579	GSN-GN-50	827
GSF-UN-U4U3	1069	GSG-HC20-BD	503	GSG-OAH-25S	579	GSN-GN50-RK	959
GSF-UN-U4U4	1069	GSG-HC20-BDX	502	GSG-OAH-35N	579	GSN-GN-50S	826
GSF-UN-U8U3	1069	GSG-HC20-BP	503	GSG-OAH-35S	579	GSN-GTN30	958
GSF-UN-U8U4	1069	GSG-HC20-BPX	502	GSG-OAH-45N	579	GSN-HC20-CHTC	911
GSF-UN-U8U8	1069	GSG-HC20-CD	503	GSG-OAH-45S	579	GSN-ME-3	946
GSF-URB-U3G4	1069	GSG-HC20-CP	503	GSG-PB-0013S	430	GSN-ME-5	946
GSF-URB-U3G8	1069	GSG-HC20-HBK	503	GSGRMB-M12	459	GSN-ME-10	946
GSF-URB-U4G3	1069	GSG-HC30-AD	502	GSG-SMB-45	459	GSN-ME-20	946
GSF-URB-U4G8	1069	GSG-HC30-BD	502	GSG-SMMB-45	458	GSN-ME-30	946
GSF-URB-U8G4	1069	GSG-HC30-CD	502	GSG-SMMB-45	753	GSN-MG-3	951
GSF-URB-U8G8	1069	GSG-HC30-F	502	GSN-BA-HR3	960	GSN-MG-10	951
GSF-VMC-90	985	GSG-HC30-STF	502	GSN-BA-HR5	960	GSN-MG-20	951
GSF-VMC-S	985	GSG-HR200-90	820	GSN-BA-HR7	960	GSN-MR-10M	830
GSF-VPN-G8	393	GSG-HR200-90D	821	GSN-BA-HR10L	960	GSN-MR-20M	830
GSF-VPN-G8F	393	GSG-HR200-MH	820	GSN-BA-HR12	960	GSN-MR-30AM	830

## Part Number Index

Part #	Page #				
GSN-MR-50FM	830	GSN-NT20R-6	944	GSS-14-90	90
GSN-MS-5	851	GSN-NW10-AJ	853	GSS-14G8-30	1065
GSN-MS-5V	852	GSN-NW20-AJ	853	GSS-14G8-40	1065
GSN-MS-10	851	GSN-NW30-AJ	853	GSS-14G8-50	1065
GSN-MS-10V	852	GSN-NWR10	853	GSS-14G8-60	1064
GSN-MS-20	851	GSN-NWR20	853	GSS-14G8-110	1065
GSN-MS-20V	852	GSN-NWR30	853	GSS-14G8-150	1064
GSN-MS-30	851	GSN-NY05-4	920	GSS-14M8-60	1065
GSN-MS-30V	852	GSN-NY05-AH	930	GSS-14M8-120	1065
GSN-N5	958	GSN-NY05-AJ	930	GSS-14P-30	90
GSN-N5-AP	861	GSN-NY05-AJL	930	GSS-14P-45	90
GSN-N10	958	GSN-NY05R-4	920	GSS-14P-60	90
GSN-N10L-AP	865	GSN-NY05-RAH	931	GSS-14P-75	90
GSN-N10L-PF	865	GSN-NY05-RAJ	931	GSS-20M8-75	1065
GSN-N20	958	GSN-NY10-4	922	GSS-20M8-200	1065
GSN-N20-AA	875	GSN-NY10-AH	932	GSS-40-G8M5	282
GSN-N20-AE	876	GSN-NY10-AJ	932	GSS-40R-G8M5	282
GSN-N20-AJL	877	GSN-NY10-AJL	932	GSS-47-G8M5	282
GSN-N20-AP	871	GSN-NY10R-4	922	GSS-47R-G8M5	282
GSN-N20-PF	873	GSN-NY10-RAH	933	GSS-53-M10M5	283
GSN-N30-AA	885	GSN-NY10-RAJ	933	GSS-53R-M10M5	283
GSN-N30-AE	887	GSN-NY10-S	924	GSS-59-G8M5	282
GSN-N30-AJL	888	GSN-NY15-4	926	GSS-59R-G8M5	282
GSN-N30-AP	881	GSN-NY15-AH	934	GSS-60-G8M5	284
GSN-N30-PF	883	GSN-NY15-AJ	934	GSS-60R-G8M5	284
GSN-NB10LLW-10SM	840	GSN-NY15-AJL	934	GSS-60R-M10M5	283
GSN-NB10LLW-10TM	840	GSN-NY15-RAH	926	GSS-75L-M16G8	284
GSN-NB20LW-10SM	840	GSN-NY15-RAJ	935	GSS-75L-M16M5	284
GSN-NB20LW-10TM	840	GSN-NY25-6	929	GSS-75L-M16N	284
GSN-NB30LW-10SM	840	GSN-NY25-AH	936	GSS-80-M10M5	283
GSN-NB30LW-10TM	840	GSN-NY25-AJ	936	GSS-80-M16G8	306
GSN-NF05	921	GSN-NY25-AJL	936	GSS-80R-M10M5	283
GSN-NF05-BMS	961	GSN-NY25-BMP	961	GSS-80R-M16G8	307
GSN-NF05-RK	961	GSN-NY25-BMS	961	GSS-85-M16G8	307
GSN-NF10	923	GSN-NY25R-6	929	GSS-85-M20G4	308
GSN-NF10-BMP	961	GSN-NY25-RAH	937	GSS-85R-M16G8F	306
GSN-NF10-BMS	961	GSN-NY25-RAJ	937	GSS-85R-M20G4	308
GSN-NF10-RK	961	GSN-NY25-RK	961	GSS-88-M14M5	305
GSN-NF15	927	GSN-NY25-S	928	GSS-88R-M14M5	305
GSN-NF15-BMP	961	GSN-P10L	853	GSS-99-M10M5	283
GSN-NF15-BMS	961	GSN-P20	853	GSS-99R-M10M5	283
GSN-NF15-RK	961	GSN-P30	853	GSS-115-M16G8	307
GSN-NMC-05	835	GSN-P50	853	GSS-115-M16G8F	306
GSN-NMC-10	835	GSN-RA-HRS3	960	GSS-115R-M16G8	307
GSN-NMC-20	835	GSN-RA-HRS5	960	GSS-115R-M16G8F	306
GSN-NMC-30	835	GSN-RA-HRS7	960	GSS-119-M10M5	283
GSN-NMCP-05	834	GSN-RA-HRS10	960	GSS-119R-M10M5	283
GSN-NMCP-10	834	GSN-RA-HRS12	960	GSS-145-M20G4	308
GSN-NMCP-30	834	GSN-RA-HRS20	960	GSS-145R-M20G4	308
GSN-NR5	828	GSN-RA-HRS30	960	GSS-C7-G8M5	282
GSN-NR5-RK	960	GSN-RA-HRS50	960	GSS-C7R-G8M5	282
GSN-NR10L	828	GSN-SP-002	861	GSS-C10-G8M5	282
GSN-NR10L-RK	960	GSN-SP-031	881	GSS-C10R-G8M5	282
GSN-NR20	828	GSN-SPR-06	961	GSS-C20-G8M5	282
GSN-NR20-RK	960	GSN-SPR-029	865	GSS-C20R-G8M5	282
GSN-NR30	828	GSN-TC-02	925	GSS-C40-G8M5	282
GSN-NR30-RK	960	GSP-8020-1030-2M	266	GSS-C40R-G8M5	282
GSN-NR50	828	GSQ-CP-QC90	37	GSS-G8M5-50	1064
GSN-NS5	850	GSQ-CP-QC150	37	GSS-G8M5-75	1064
GSN-NS10L	850	GSQ-G	13	GSS-G8M5-100	1064
GSN-NS20	850	GSQ-LG	15	GSS-G8M8-60	1064
GSN-NS30	850	GSQ-LR	15	GSS-G8M8-120	1064
GSN-NT03-4	941	GSQ-OAI-SAI	84	GSS-M16G8-50	1064
GSN-NT03R-4	941	GSQ-OA-LAI	85	GSS-M16G8-120	1064
GSN-NT05	942	GSQ-OA-LAI	85	GSS-M16M8-75	1064
GSN-NT05R-04	942	GSQ-OA-SSI	84	GSS-M16M8-170	1064
GSN-NT10-6	943	GSQ-OC-LAI	85	GSU-PB-0424	1045
GSN-NT10R-6	943	GSQ-R	13	GSU-PB-0604	1045
GSN-NT20	944	GSS-14-30	90	GSU-PB-0806	1045
		GSS-14-60	90	GSU-PC-0424	1045
				GSU-PC-0604	1045
				GSU-PC-0806	1045
				GSU-PCB-0424	179
				GSU-PCB-0604	179
				GSU-PCC-0604	179
				GSU-PCR-0424	179
				GSU-PCR-0604	179
				GSU-PCR-0604	1045
				GSU-PR-0424	1045
				GSU-PR-0604	1045
				GSU-PR-0806	1045
				GSU-SB-0424	1044
				GSU-SB-0604	1044
				GSU-SB-0805	1044
				GSU-SC-0424	1044
				GSU-SC-0604	1044
				GSU-SC-0805	1044
				GSU-SI-627	1044
				GSV-01AB	357
				GSV-01AC	357
				GSV-1BDD-10	348
				GSV-1BDD-15	348
				GSV-1BDD-20	348
				GSV-1BDD-25	349
				GSV-1BDD-35	349
				GSV-1BDD-52	349
				GSV-1BDD-75	349
				GSV-02AB	342
				GSV-02AB	357
				GSV-02AF	357
				GSV-2BHT-7	328
				GSV-2BHT-7	419
				GSV-2BHT-9	328
				GSV-2BHT-12	328
				GSV-2BHT-14	328
				GSV-2BHT-18	328
				GSV-2BHT-20	329
				GSV-2BHT-25	329
				GSV-2BHT-32	329
				GSV-2BHT-42	329
				GSV-2BHT-62	329
				GSV-04AB	357
				GSV-04AG	357
				GSV-4BS-20	426
				GSV-4BS-30	426
				GSV-4BS-40	426
				GSV-4BS-50	427
				GSV-05AB	357
				GSV-05AG	357
				GSV-07UA	357
				GSV-B5-10	342
				GSV-B5-20	342
				GSV-B8-10	342
				GSV-B8-20	342
				GSV-B10-2-10	342
				GSV-B10-2-20	342
				GSV-B15-2-10	342
				GSV-B15-2-20	342
				GSV-B15MF-40	342
				GSV-B20-10	342
				GSV-B20-20	342
				GSV-B20MF-40	342
				GSV-B30-2-10	343
				GSV-B30-2-20	343
				GSV-B30-10	342
				GSV-B30-20	342
				GSV-B30MF-40	343
				GSV-B40-10	343
				GSV-B40-20	343
				GSV-B40MF-40	343

## Part Number Index

Part #	Page #						
GSV-B50-20	343	GSV-CP-023AL	401	GSV-FOS-50R	335	GSV-PFP-15NR	424
GSV-B50-30	343	GSV-CP-024AL	401	GSV-FP-10	392	GSV-PFP-20NR	424
GSV-B50MF-40	343	GSV-CP-063	401	GSV-FP-15	392	GSV-PFP-25NR	424
GSV-BDD-10	346	GSV-CP-063-M5	401	GSV-FP-20	392	GSV-PFP-30NR	424
GSV-BDD-15	346	GSV-CP-064	401	GSV-FP-25	392	GSV-PFP-35NR	425
GSV-BDD-20	346	GSV-CP-064-G8	401	GSV-FP-30	392	GSV-PFP-40NR	425
GSV-BDD-25	347	GSV-D15-2-10	344	GSV-FP-40	393	GSV-PIVG-025	1022
GSV-BDD-35	347	GSV-D15-2-20	344	GSV-FS-10	392	GSV-PIVG-882	1022
GSV-BDD-52	347	GSV-D20-2-10	344	GSV-FS-15	392	GSV-PIVG-896	1022
GSV-BHT-5	326	GSV-D20-2-20	344	GSV-FS-20	392	GSV-SVC-18NR	411
GSV-BHT-11	326	GSV-D30-2-10	344	GSV-FS-25	392	GSV-SVC-18SI	411
GSV-BHT-14	326	GSV-D30-2-20	344	GSV-FS-30	392	GSV-U2-25	338
GSV-BHT-20	326	GSV-D50-10	344	GSV-FS-40	393	GSV-U3-25	338
GSV-BHT-25	326	GSV-D50-20	344	GSV-FSAX-10	396	GSV-U4-10	338
GSV-BHT-33	327	GSV-F15-10	340	GSV-FSAX-15	396	GSV-U4-20	338
GSV-BHT-43	327	GSV-F15-20	340	GSV-FSAX-20	396	GSV-U6-10	338
GSV-BHT-53	327	GSV-F15MF-40	340	GSV-FSAX-25	396	GSV-U6-20	338
GSV-BL30-3P-4L	423	GSV-F20-10	340	GSV-FSAX-30	396	GSV-U8-10	338
GSV-BL40-3	423	GSV-F20-20	340	GSV-FSAX-40	396	GSV-U8-20	338
GSV-BOH-5	336	GSV-F20MF-40	340	GSV-FSAX-50	397	GSV-U10-10	338
GSV-BOH-8	336	GSV-F25-10	340	GSV-HSP-07P	422	GSV-U10-20	338
GSV-BOH-11	336	GSV-F25-20	340	GSV-HSP-07S	422	GSV-U15-10	339
GSV-BOH-16	336	GSV-F25MF-40	340	GSV-HSP-09P	422	GSV-U15-20	339
GSV-BOH-20	336	GSV-F30-10	340	GSV-HSP-09S	422	GSV-U20-10	339
GSV-BOH-30	337	GSV-F30-20	340	GSV-HSP-13P	422	GSV-U20-20	339
GSV-BOH-40	337	GSV-F30MF-40	340	GSV-HSP-13S	422	GSV-U30-20	339
GSV-BOH-50	337	GSV-F40-20	341	GSV-HSP-16P	422	GSV-U30-30	339
GSV-BON-5	336	GSV-F40-30	341	GSV-HSP-16S	422	GSV-U40-2-20	339
GSV-BON-8	336	GSV-F40MF-40	341	GSV-LES-6	391	GSV-U40-2-30	339
GSV-BON-11	336	GSV-F50-20	341	GSV-LES-10	391	GSV-U50-2-20	339
GSV-BON-16	336	GSV-F50-30	341	GSV-LES-16	391	GSV-U50-2-30	339
GSV-BON-20	336	GSV-F50MF-40	341	GSV-LES-25	391	GSV-VAPF-6C	402
GSV-BON-30	337	GSV-F75-20	341	GSV-M2BH-5	418	GSV-VAPF-8C	402
GSV-BON-40	337	GSV-F75-30	341	GSV-M2BH-7	419	GSV-VAPF-12C	402
GSV-BON-50	337	GSV-FHT-8	324	GSV-M2BN-5	418	GSV-VAPF-12C2	404
GSV-BOS-5	336	GSV-FHT-8	415	GSV-M2BN-7	419	GSV-VAPF-15C	402
GSV-BOS-8	336	GSV-FHT-15	324	GSV-M2BS-4	418	GSV-VAPF-20C	403
GSV-BOS-11	336	GSV-FHT-20	324	GSV-M2BS-5	418	GSV-VAPF-20C2	404
GSV-BOS-16	336	GSV-FHT-30	325	GSV-M2BS-5S	418	GSV-VAPF-30C	403
GSV-BOS-20	336	GSV-FHT-40	325	GSV-M2BS-7	419	GSV-VAPF-40C	403
GSV-BOS-30	337	GSV-FHT-50	325	GSV-M2BS-65S	418	GSV-VAPH-6C	402
GSV-BOS-40	337	GSV-FOH-5	334	GSV-M10nut	401	GSV-VAPH-8C	402
GSV-BOS-50	337	GSV-FOH-7	334	GSV-M12nut	401	GSV-VAPH-10C	402
GSV-BP-10	394	GSV-FOH-11	334	GSV-M12NUT	1077	GSV-VAPH-12C	402
GSV-BP-15	394	GSV-FOH-16	334	GSV-MBS-10S	417	GSV-VAPH-12C2	404
GSV-BP-20	394	GSV-FOH-16R	334	GSV-MBS-65S	416	GSV-VAPH-14C	402
GSV-BP-25	394	GSV-FOH-20R	334	GSV-MFA-2	412	GSV-VAPH-15C	402
GSV-BP-30	394	GSV-FOH-25R	335	GSV-MFA-5	413	GSV-VAPH-15C1	400
GSV-BP-40	395	GSV-FOH-30R	335	GSV-MFA-6	414	GSV-VAPH-20C	403
GSV-BS-10	394	GSV-FOH-40R	335	GSV-MFA-8	415	GSV-VAPH-20C1	400
GSV-BS-15	394	GSV-FOH-50R	335	GSV-MFA-35	413	GSV-VAPH-20C2	404
GSV-BS-20	394	GSV-FON-5	334	GSV-MFS-6	414	GSV-VAPH-25C	403
GSV-BS-25	394	GSV-FON-7	334	GSV-OBS-8x25	410	GSV-VAPH-30C	403
GSV-BS-30	394	GSV-FON-11	334	GSV-OBS-15x45	410	GSV-VAPH-35C	403
GSV-BS-40	395	GSV-FON-16	334	GSV-OBS-25x75	410	GSV-VAPH-40C	403
GSV-BSAX-05	398	GSV-FON-16R	334	GSV-OHT-24	330	GSV-VAPH-45C	403
GSV-BSAX-10	398	GSV-FON-20R	334	GSV-OHT-357	330	GSV-VFIL-S	401
GSV-BSAX-15	398	GSV-FON-25R	335	GSV-OHT-515	330	GSV-VFIL-S10	401
GSV-BSAX-20	398	GSV-FON-30R	335	GSV-OHT-618	330	GSV-VFIL-S20	401
GSV-BSAX-25	398	GSV-FON-40R	335	GSV-OHT-824	330	GSV-VFIL-S30	401
GSV-BSAX-30	398	GSV-FON-50R	335	GSV-OHT-1030	331	GSV-VFIL-SS-5	401
GSV-BSAX-40	399	GSV-FOS-5	334	GSV-OHT-1545	331	GSV-VFIL-SS10	401
GSV-BSF-15	407	GSV-FOS-7	334	GSV-OHT-2060	331	GSV-VFIL-SS20	401
GSV-BSF-20	407	GSV-FOS-11	334	GSV-OHT-2575	331	GSV-VFIL-SS30	401
GSV-BSF-25	407	GSV-FOS-16	334	GSV-OS-5x15	408	GSV-VG-056	1018
GSV-BSF-30	407	GSV-FOS-16R	334	GSV-OS-6x18	408	GSV-VG-119	1018
GSV-BSF-40	407	GSV-FOS-20R	334	GSV-OS-8x24	408	GSV-VG-242	1018
GSV-BX75P-4K-07UFF	347	GSV-FOS-25R	335	GSV-OS-10x30	409	GSV-VG-ZU05LA	1022
GSV-CP-021AL	401	GSV-FOS-30R	335	GSV-OS-15x45	409	GSV-VG-ZU05SA	1022
GSV-CP-022AL	401	GSV-FOS-40R	335	GSV-OS-20x60	409	GSV-VG-ZU07LA	1022

## Part Number Index

Part #	Page #		
GSV-VG-ZU07SA	1022	IF12E02	577
GT-NK10	909	IF12S01	577
GT-NK10	909	IF14E02	577
GW-10	644	IF14S01	577
GW-10-FBA	649	IF16E02	577
GW-10-FBN	649	IF16S01	577
GW-10-NC	644	IF18E02	577
GW-10-NO	644	IF18S01	577
GW-16	644	IF20E02	577
GW-16-FBA	649	IF20S01	577
GW-16-FBN	649	IF22E02	577
GW-16-NC	644	IF22S01	577
GW-16-NO	644	IF27E02	577
GW-20	644	IF27S01	577
GW-20-FBA	649	IF33E02	577
GW-20-FBN	649	IF33S01	577
GW-20-NC	644	IF41E02	577
GW-20-NO	644	IF41S01	577
GW-25	644	IF47E02	577
GW-25-FBA	649	IF47S01	577
GW-25-FBN	649	IF51E02	577
GW-25-NC	644	IF51S01	577
GW-25-NO	644	IF63E02	577
GWP-3-U	193	IF63S01	577
GWP4L/X	193	IFU04N03RT	564
GWP5X	193	IFU04S01RT	564
GWP6U	193	IFU05N03RT	564
GWP-EX3-U	193	IFU05S01RT	564
GWP-EX4-U	193	IFU06N03RT	564
GWP-EX5-U	193	IFU06S01RT	564
GX-10S	696	IFU07N03RT	564
GX-16S	696	IFU07S01RT	564
GX-20S	696	IGP-14-8-12	580
GX-25S	696	IGP-14-10-14-EP	580
HKS5-15X	192	IGP-14-11-15	580
HKS5-62X	192	IGP-14-13-17-EP	580
HMDXX1	1027	IGP-14-14-18	580
HMDXX2	1027	IGP-14-16-20-EP	580
HUE-20-30-20	770	IGP-14-17-21	580
HUE-20-50-20	770	IGP-14-19-23-EP	580
HUE-20-75-20	770	IGP-14-20-24	580
HUE-20-100-20	770	IGP-14-22-26-EP	580
HUE-20-125-20	770	IGP-14-23-27	580
HUE-X-25-30-20	772	IGP-14-25-29-EP	580
HUE-X-25-50-20	772	IGP-20-26-30	582
HUE-X-25-75-20	772	IGP-20-28-32-EP	582
HUE-X-25-100-20	772	IGP-20-29-33	582
HUE-X-25-125-20	772	IGP-20-31-35-EP	582
HUZ-P-32-50-CS	501	IGP-20-32-36	582
HUZ-P-32-50-EP	501	IGP-20-34-38-EP	582
HUZ-P-32-50-LG	501	IGP-20-35-39	582
I34K	459	IGP-20-37-41-EP	582
IE-AL-K	1005	IGP-20-38-42	582
IE-AL-K-NPN	1005	IGP-20-40-44-EP	582
IES-8-NPN	499	IGP-20-41-45	582
IES-8-NPN	1005	IGP-20-43-47-EP	582
IES-8-PNP	499	IGP-20-44-49	582
IES-8-PNP	1005	IGP-20-46-50-EP	582
IF04N03	565	IR01	563
IF04S01	565	ITSC-45-DE	818
IF05N03	565	ITSC-45-S4	818
IF05S01	565	ITSC-45-S6	818
IF06N03	565	ITSC-45-S8	818
IF06S01	565	ITSC-164	818
IF07N03	565	ITSC-164A	818
IF07S01	565	ITSC-166	818
IF08E02	577	ITSC-166A	818
IF08S01	577	ITSC-168	818
IF10E02	577	ITSC-168A	818
IF10S01	577	ITSC-454	818
		ITSC-454A	818
		ITSC-456	818
		ITSC-456A	818
		ITSC-458	818
		ITSC-458A	818
		J-40/40-2M	190
		J-80/40-2M	190
		JGN-10N	461
		JGN-10N	868
		JGN-10S-A52	461
		JGN-20S-A52	461
		JGW-10S-A50	461
		JGW-20S-A50	461
		JP-25	734
		JP-32	734
		JP-45	734
		KBV10/18L	198
		KBV18/18L	198
		KBV25-25X	198
		KBV25-50X	198
		KBV40-40J	198
		KBV40-80J	198
		KBV50-25X	198
		KBV80-40J	198
		KBV-X-10-25	198
		KBV-X-18-25	198
		KG18	982
		KHR-20-100	911
		KIT3-DD2016P	451
		KIT3-OFR14	529
		KIT3-OFR20	529
		KIT3-OFR30	529
		KIT3-PB0170	439
		KIT-UR-G	152
		KIT-UR-J	153
		KIT-UR-V	134
		KK1	1000
		KKB-X-JU	191
		KKP-25-20	191
		KKP-25-35	191
		KKS6L	222
		KKS10L	215
		KKS14X	215
		KKS20X	215
		KPL18-18L	199
		KPL25-25X	199
		KPL25-50X	199
		KPL25X-L18	199
		KPL40-40J	199
		KPL40J-X25	199
		KPL50-40J	199
		KPL50-50X	199
		KPL80-40J	199
		KPL80-80J	199
		KPL80J-50X	199
		KPL80J-X25	199
		KPL-D-JU-40	199
		K-SENS	1002
		KVB6L	222
		KVB10L/X	205
		KVB14X	205
		KVB20J	205
		KVB20X	205
		KVB30J	205
		KVB-G-10	206
		KVB-G-14	206
		KVB-G-14-JU	206
		KVB-G-20	206
		KVB-G-20-JU	206
		KW18	982
		L-18/10-1M	191
		L-18/18-1M	191
		LES-6-NPN	982
		LES-6-PNP	982
		LOQC	34
		LRS-18	982
		LVT1/4X	1061
		LVT1/8X	1061
		LVTM5X	1061
		MAG20	590
		MAG20-BA	590
		MAG20-IF	590
		MAQC	30
		MBQC	30
		MC10MH	799
		MC225MH2	799
		MC600MH2	799
		MFC10	576
		MFC12	576
		MFC14	576
		MFC18	576
		MFC22	576
		MFC27	576
		MFC33	576
		MFC41	576
		MFC51	576
		MFC63	576
		MFD08E02CL	572
		MFD08E02HL	574
		MFD08S01CL	572
		MFD08S01HL	574
		MFD10E02CL	572
		MFD10E02HL	574
		MFD10S01CL	572
		MFD10S01HL	574
		MFD12E02CL	572
		MFD12E02HL	574
		MFD12S01CL	572
		MFD12S01HL	574
		MFD14E02CL	572
		MFD14E02HL	574
		MFD14S01CL	572
		MFD14S01HL	574
		MFD16E02CL	572
		MFD16E02HL	574
		MFD16S01CL	572
		MFD16S01HL	574
		MFD18E02CL	572
		MFD18E02HL	574
		MFD18S01CL	572
		MFD18S01HL	574
		MFD20E02CL	572
		MFD20E02HL	574
		MFD20S01CL	572
		MFD20S01HL	574
		MFD22E02CL	572
		MFD22E02HL	574
		MFD22S01CL	572
		MFD22S01HL	574
		MFD27E02CL	572
		MFD27E02HL	574
		MFD27S01CL	572
		MFD27S01HL	574
		MFD33E02CL	572
		MFD33E02HL	574
		MFD33K	576
		MFD33S01CL	572
		MFD33S01HL	574
		MFD41E02CL	572

## Part Number Index

Part #	Page #						
MFD41E02HL	574	MFI-A32	239	MFI-A119	245	MFI-A219	237
MFD41K	576	MFI-A33	239	MFI-A120	245	MFI-A220	237
MFD41S01CL	572	MFI-A34	246	MFI-A121	245	MFI-A221	241
MFD41S01HL	574	MFI-A35	246	MFI-A122	245	MFI-A222	242
MFD47E02CL	573	MFI-A35-H	246	MFI-A123	245	MFI-A223	242
MFD47E02HL	575	MFI-A36	246	MFI-A124	245	MFI-A224	242
MFD47S01CL	573	MFI-A36-H	246	MFI-A125	245	MFI-A225	243
MFD47S01HL	575	MFI-A37	247	MFI-A130	72	MFI-A226	240
MFD51E02CL	573	MFI-A38	247	MFI-A131	70	MFI-A227	240
MFD51E02HL	575	MFI-A39	247	MFI-A132	70	MFI-A228	240
MFD51K	576	MFI-A40	72	MFI-A133	72	MFI-A229	240
MFD51S01CL	573	MFI-A41	73	MFI-A134	70	MFI-A230	240
MFD51S01HL	575	MFI-A41-H	83	MFI-A135	72	MFI-A231	240
MFD63E02CL	573	MFI-A42	70	MFI-A140	235	MFI-A232	241
MFD63E02HL	575	MFI-A43	71	MFI-A141	235	MFI-A233	241
MFD63K	576	MFI-A43-H	83	MFI-A150	258	MFI-A234	241
MFD63S01CL	573	MFI-A46	261	MFI-A151	258	MFI-A235	262
MFD63S01HL	575	MFI-A47	261	MFI-A152	258	MFI-A236	262
MFI-002	1078	MFI-A48	260	MFI-A153	258	MFI-A237	262
MFI-003	234	MFI-A49	260	MFI-A154	258	MFI-A238	262
MFI-006	234	MFI-A50	260	MFI-A155	258	MFI-A239	231
MFI-009	234	MFI-A51	260	MFI-A156	247	MFI-A244	238
MFI-016	234	MFI-A52	260	MFI-A157	254	MFI-A250	255
MFI-020	234	MFI-A53	260	MFI-A158	254	MFI-A251	255
MFI-022	234	MFI-A54	261	MFI-A159	254	MFI-A252	255
MFI-025	234	MFI-A55	261	MFI-A160	254	MFI-A253	255
MFI-027	234	MFI-A56	261	MFI-A161	254	MFI-A254	54
MFI-029	234	MFI-A59	252	MFI-A162	254	MFI-A255	55
MFI-043	234	MFI-A60	252	MFI-A163	254	MFI-A256	257
MFI-045	234	MFI-A61	252	MFI-A164	254	MFI-A257	257
MFI-050	234	MFI-A62	252	MFI-A165	254	MFI-A258	257
MFI-055	234	MFI-A63	252	MFI-A165-H	254	MFI-A259	257
MFI-148	234	MFI-A64	252	MFI-A166	254	MFI-A260	257
MFI-177	234	MFI-A65	252	MFI-A166-H	254	MFI-A261	257
MFI-178	234	MFI-A66	1057	MFI-A167	252	MFI-A262	257
MFI-477	234	MFI-A67	1057	MFI-A168	252	MFI-A263	257
MFI-489	234	MFI-A68	1057	MFI-A169	252	MFI-A264	257
MFI-490	234	MFI-A69	1056	MFI-A170	256	MFI-A265	239
MFI-A01	248	MFI-A70	1056	MFI-A171	256	MFI-A266	244
MFI-A02	248	MFI-A71	256	MFI-A172	256	MFI-A267	244
MFI-A03	248	MFI-A72	256	MFI-A175	239	MFI-A268	244
MFI-A04	249	MFI-A73	256	MFI-A176	538	MFI-A269	244
MFI-A05	249	MFI-A74	256	MFI-A178	247	MFI-A270	248
MFI-A06	249	MFI-A75	256	MFI-A181	245	MFI-A277	48
MFI-A07	249	MFI-A76	256	MFI-A182	245	MFI-A277	232
MFI-A08	249	MFI-A77	254	MFI-A183	245	MFI-A290	257
MFI-A09	246	MFI-A78	254	MFI-A184	245	MFI-A291	257
MFI-A10	246	MFI-A79	254	MFI-A195	253	MFI-A292	257
MFI-A11	239	MFI-A93	254	MFI-A196	253	MFI-A314	660
MFI-A12	239	MFI-A94	254	MFI-A197	253	MFI-A315	660
MFI-A13	239	MFI A95	254	MFI-A198	253	MFI-A316	660
MFI-A14	235	MFI-A100	233	MFI-A199	253	MFI-A317	660
MFI-A15	235	MFI-A101	233	MFI-A200	253	MFI-A318	731
MFI-A16	238	MFI-A102	48	MFI-A201	233	MFI-A319	731
MFI-A17	238	MFI-A103	48	MFI-A202	233	MFI-A320	731
MFI-A18	238	MFI-A104	244	MFI-A203	254	MFI-A321	628
MFI-A19	233	MFI-A105	244	MFI-A204	248	MFI-A322	628
MFI-A20	233	MFI-A106	244	MFI-A205	250	MFI-A323	628
MFI-A21	230	MFI-A107	244	MFI-A206	250	MFI-A324	628
MFI-A22	230	MFI-A108	244	MFI-A207	250	MFI-A325	685
MFI-A23	231	MFI-A109	244	MFI-A209	250	MFI-A326	685
MFI-A24	231	MFI-A110	244	MFI-A210	244	MFI-A327	685
MFI-A25	230	MFI-A111	244	MFI-A211	244	MFI-A332	252
MFI-A26	230	MFI-A112	244	MFI-A212	246	MFI-A343E	74
MFI-A27	230	MFI-A113	244	MFI-A213	246	MFI-A344	75
MFI-A28	230	MFI-A114	244	MFI-A214	247	MFI-A344-H	83
MFI-A29	239	MFI-A115	244	MFI-A215	247	MFI-A348	251
MFI-A29-H	239	MFI-A116	245	MFI-A216	247	MFI-A349	251
MFI-A30	239	MFI-A117	245	MFI-A217	236	MFI-A350	251
MFI-A31	239	MFI-A118	245	MFI-A218	236	MFI-A354	612

## Part Number Index

Part #	Page #		
MFI-A360	774	MFU16S01HL	574
MFI-A372	126	MFU18E02CL	572
MFI-A374A	127	MFU18E02HL	574
MFI-A374B	127	MFU18S01CL	572
MFI-A379	1058	MFU18S01HL	574
MFI-A380	1058	MFU20E02CL	572
MFI-A381	1059	MFU20E02HL	574
MFI-A384	1059	MFU20S01CL	572
MFM-A11	832	MFU20S01HL	574
MFM-A17	837	MFU22E02CL	572
MFM-A18	837	MFU22E02HL	574
MFM-A30	836	MFU22S01CL	572
MFM-A36	836	MFU22S01HL	574
MFM-A45	836	MFU27E02CL	572
MFM-A56	836	MFU27E02HL	574
MFM-A57	839	MFU27K	576
MFM-A107	919	MFU27S01CL	572
MFM-A108	919	MFU27S01HL	574
MFM-A109	756	MFU33E02CL	572
MFM-A109	774	MFU33E02HL	574
MFM-A109	919	MFU33K	576
MFM-A117	756	MFU33S01CL	572
MFM-A118	756	MFU33S01HL	574
MFM-A119	756	MFU41E02CL	572
MFM-A501	242	MFU41E02HL	574
MFM-A502	242	MFU41K	576
MFM-A503	242	MFU41S01CL	572
MFM-A504	240	MFU41S01HL	574
MFM-A505	240	MFU47E02CL	573
MFM-A506	240	MFU47E02HL	575
MFM-A507	241	MFU47S01CL	573
MFM-A508	241	MFU47S01HL	575
MFM-A509	241	MFU51E02CL	573
MFM-A510	240	MFU51E02HL	575
MFM-A511	240	MFU51K	576
MFM-A512	240	MFU51S01CL	573
MFM-A513	241	MFU51S01HL	575
MFM-A514	243	MFU63E02CL	573
MFM-A515	241	MFU63E02HL	575
MFP-A01	459	MFU63K	576
MFP-A01	629	MFU63S01CL	573
MFP-A01	661	MFU63S01HL	575
MFP-A04	661	MFZ-RZ-024BI	580
MFP-A05	833	MFZ-RZ-042LI	582
MFP-A06	833	MGX2005	690
MFP-A07	833	MGX2508	690
MFP-A08	833	MGX3210	690
MFP-K28	231	MGX3214	690
MFP-K29	231	MGX4015	690
MFP-K50	231	MGX5020	690
MFS-T2-3-7	1005	MGX6030	690
MFU08E02CL	572	MHC2-10D	626
MFU08E02HL	574	MHC2-10S	626
MFU08S01CL	572	MHC2-16D	626
MFU08S01HL	574	MHC2-16S	626
MFU10E02CL	572	MHC2-20D	626
MFU10E02HL	574	MHC2-20S	626
MFU10S01CL	572	MHC2-25D	626
MFU10S01HL	574	MHC2-25S	626
MFU12E02CL	572	MHF2-8D	668
MFU12E02HL	574	MHF2-8D1	668
MFU12S01CL	572	MHF2-12D	668
MFU12S01HL	574	MHF2-12D1	668
MFU14E02CL	572	MHZ2-10C	624
MFU14E02HL	574	MHZ2-10D	624
MFU14S01CL	572	MHZ2-10S	624
MFU14S01HL	574	MHZ2-16C	624
MFU16E02CL	572	MHZ2-16D	624
MFU16E02HL	574	MHZ2-16S	624
MFU16S01CL	572	MHZ2-20C	624
		MHZ2-20D	624
		MHZ2-25C	624
		MHZ2-25D	624
		MHZ2-25S	624
		MMDVA1	1027
		MMDVA2	1027
		MPBM1640	606
		MPBM2540	606
		MPBM3240	606
		MPBS1630	612
		MPBS1630N	612
		MPBS1630NS	612
		MPBS1630S	612
		MPLM1630	604
		MPLM2535	604
		MPLM3240	604
		MPPM1606	600
		MPPM2508	600
		MPPM3210	600
		MPR2553	610
		MPRM1690	608
		MPRM2590	608
		MPRM3290	608
		MPTM1606	614
		MPTM2508	614
		MPTM3210	614
		MPXM1612	602
		MPXM2516	602
		MPXM3220	602
		MRE16180	616
		MRE25180	616
		MRE32180	616
		MTRE3204C	618
		MTRE3206C	618
		MTRE3208C	618
		MTRE3212C	618
		MXS6-10	776
		MXS6-20	776
		MXS6-30	776
		MXS6-40	776
		MXS6-50	776
		MXS8-10	776
		MXS8-20	776
		MXS8-30	776
		MXS8-40	776
		MXS8-50	776
		MXS8-75	776
		MXS12-10	776
		MXS12-20	776
		MXS12-30	776
		MXS12-40	776
		MXS12-50	776
		MXS12-75	776
		MXS12-100	776
		MXS-AS6-X11	777
		MXS-AS8-X11	777
		MXS-AS8-X12	777
		MXS-AT6-X11	777
		MXS-AT8-X11	777
		MXS-AT8-X12	777
		MXS-AT12-X11	777
		MXS-AT12-X12	777
		MXS-BS8	777
		MXS-BS12	777
		MXS-BT8	777
		MXS-BT12	777
		NEEDLE-37	589
		NEEDLE-50	588
		NEEDLE-NGR-16	588
		NGR-12-6	589
		NGR-12-6-DS-A	589
		NGR-12-D	588
		NGR-12-DL	588
		NGR-16-18E	588
		NGR-16-18EZ	588
		NGR-16-24E	588
		NGR-X-16-10	589
		NILE-SP1	861
		NILE-SP1	961
		NILE-SP3	869
		NILE-SP3	961
		NILE-SP5	872
		NILE-SP5	961
		NILE-SP10	961
		OF10L60	262
		OF14G	528
		OF14H	528
		OF14L80	262
		OF20G	528
		OF20H	528
		OF20L100	262
		OF20L250	262
		OF30G	528
		OF30H	528
		OF30L120	262
		OF30L250	262
		OFA14-35	517
		OFA-20-35	517
		OFA-20-35S	516
		OFA-30-35	517
		OFA-30-35S	516
		OFA50-35	517
		OFA50-35S	516
		OFB40-A30	756
		OFB40-A50	756
		OFB40-B30	756
		OFB40-B50	756
		OFB40-C30	756
		OFB40-C50	756
		OFC5-S	747
		OFC14-10	746
		OFC20-20	746
		OFC30-30	746
		OFC-A001	748
		OFC-A002	748
		OFC-A003	748
		OFC-A004	748
		OFC-A005	748
		OFC-A006	749
		OFC-A007	750
		OFC-A008	751
		OFD20	563
		OFL2010	738
		OFL3015	738
		OFL3030	738
		OFN20-90	540
		OFN20-90SD	540
		OFN30-90	540
		OFN30-90SD	540
		OFF14A-25	532
		OFF14P-25	530
		OFF20N-20	534
		OFF20-N-20R	530
		OFF20P-20	534
		OFF20S-20	534
		OFF20-S-20R	530
		OFF20V-20	534

## Part Number Index

Part #	Page #						
OFP20-V-20R	530	OR-103860	168	PB-0181-S	431	PRO-SSR4N225G	978
OFP21A-20	532	OR-104086	176	PB-0182-S	431	PSK-100-D6N	986
OFP21N-20	530	OR-104087	176	PB-0187-S	439	PSK-100-D6P	986
OFP21P-20	530	OR-104160	161	PB-0187-S2	433	PT23-K4	586
OFP21S-20	530	OR-104161	161	PBQC	30	PT23N	586
OFP21V-20	530	OR-104162	161	PCB-10	88	PT23S	586
OFR14-95	511	OR-104240	161	PCB-14	88	PT25	584
OFR14-95-14	529	OR-104241	161	PCB-20	88	PT-25-05	584
OFR14-95G	515	OR-104277	120	PCB-30	88	PT28	584
OFR14-95M	513	OR-105877	161	PCC-1000	231	PT30-K4	586
OFR-20-95	511	OR-106376	154	PE-1610	709	PT30N	586
OFR20-95-09	529	OR-106553	155	PE-1625	709	PT30S	586
OFR20-95-14	529	OR-106559	155	PE-1640	709	PTR-05-RK	959
OFR20-95G	515	OR-106576	155	PE-1680	709	PTR-10-RK	959
OFR20-95M	513	OR-107242	141	PE-2520	710	PTR-20-RK	959
OFR-20-95S	510	OR-107456	120	PE-2540	710	PTR-30-RK	959
OFR20-95SG	514	OR-108088	176	PE-2560	710	PTR-50-RK	959
OFR20-95SM	512	P2M1K0GL	1027	PE-4520	711	QC50-A	23
OFR-30-95	511	P2M1K0GN	1027	PE-4540	711	QC50-B	23
OFR-30-95-07	529	P2M1PXCA	1027	PE-4560	711	QC50-H	58
OFR30-95-15	529	P2M1PXFA	1027	PE-4580	711	QC50-K	33
OFR30-95G	515	P2M1PXSL	1027	PE-16150	709	QC50-V	58
OFR30-95M	513	P2M1PXSN	1027	PE-16200	709	QC75-A	114
OFR-30-95S	510	P2M1PXVA	1031	PE-25100	710	QC75-B	114
OFR30-95SG	514	P2M1T3ES2C	1026	PE-25200	710	QC90-A	25
OFR30-95SM	512	P2M1T4EE2C	1026	PE-45200	711	QC90-B	25
OFR50-95	511	P2M1T4ES2C	1026	PKS10	215	QC90-H	59
OFR50-95S	510	P2M1TCEE2C	1026	PKS14	215	QC90-V	59
OFR1495-07	529	P2M1TDDEE2C	1026	PKS20	215	QC150-A	27
OFR1495-16	529	P2M1TEEE2C	1026	PKS30	215	QC150-B	27
OFR2095-16	529	P2M1TGEE2C	1026	PMAQC	30	QC150-H	60
OFR2095-16	530	P2M2BXT0A	1027	PMBQC	30	QC150-V	60
OFR3095-16	529	P2M2HXT01	1027	PMDYY1	1027	QC200-A	29
OFR3095-16	530	P2M2PXCA	1027	PMDYY2	1027	QC200-B	29
OFS14-90	519	P2M2PXFA	1027	PN-010-2	692	QC200-H	61
OFS20-90	519	P2M2PXSL	1027	PN-010-3	692	QC200-V	61
OFS20-90S	518	P2M2PXSN	1027	PN-016-2	692	QC9065	36
OFS30-90	519	P2M2T3ES2C	1026	PN-016-3	692	QC150100	36
OFS30-90S	518	P2M2T4EE2C	1026	PN-025-2	692	QC200120	36
OFX14-06	506	P2M2T4ES2C	1026	PN-025-3	692	QCP50-B	51
OFX14-06-07	506	P2M2TCEE2C	1026	PN-040-2	692	QCP90-B	51
OFX20-10	506	P2M2TDEE2C	1026	PN-040-3	692	QCP150-B	51
OFX20-10-09	506	P2M2TEEE2C	1026	PQ1608	728	QCP160-B	51
OFX30-15	506	P2M2TGEE2C	1026	PQ2012	728	QCP200-B	51
OFX30-15-09	506	P8CS0803J	1027	PQ2516	728	QCX90-A	38
OFX50-20	506	P8LS08L526C	1027	PQ3015	728	QCX150-A	39
OFX50-20-08	506	PAAT16R	420	PQ3523	728	QCX160-A	39
OP-26751	970	PAAT20R	420	PQ4533	728	QCX200-A	39
OR-100064	140	PAAT30R	421	PQ5047	728	QGR-20	744
OR-100669	157	PAAT40R	421	PQ6063	728	R20	806
OR-100670	159	PAAT50R	421	PRO-SN3M215G	978	R21	808
OR-101661	140	PAQC	30	PRO-SN3M215HSG	655	R32	806
OR-101788	122	PB-0002	443	PRO-SN3M215HSG	978	R33	808
OR-102012	156	PB-0007-1	442	PRO-SN3N215G	978	R63	806
OR-102014	120	PB-0007-S3	442	PRO-SN3N215HSG	655	R64	808
OR-102021	158	PB-0008-S3	442	PRO-SN3N215HSG	978	RBT30	542
OR-102037	120	PB-0013-S2	433	PRO-SN4M225G	978	RBT40	542
OR-102111	123	PB-0014	434	PRO-SN4M225HSG	655	RBT50	542
OR-102113	120	PB-0015	434	PRO-SN4M225HSG	978	RBT63	542
OR-102326	120	PB-0017	435	PRO-SN4N225G	978	RBT80	542
OR-102344	182	PB-0017-FBA	435	PRO-SN4N225HSG	655	RE-SW-C	962
OR-102359	182	PB-0017-FBP	435	PRO-SN4N225HSG	978	RE-SW-S	962
OR-102360	182	PB-0140	436	PRO-SPB	981	RE-VN-C	962
OR-102361	182	PB-0150	437	PRO-SS3M215G	978	RE-VN-S	962
OR-102362	182	PB-0160	440	PRO-SS3N215G	978	RG-BJSU6	1016
OR-102844	138	PB-0170	438	PRO-SS4M225G	978	RHZ-SWH-R-90	37
OR-103456	168	PB-0170-05	439	PRO-SS4N225G	978	RHZ-SWH-R-150	37
OR-103666	160	PB-0170-05F	439	PRO-SSR3M215G	978	RMAQC	116
OR-103689	168	PB-0180-S	431	PRO-SSR3N215G	978	RMB-0610-10	491
OR-103691	168	PB-0180-S2	433	PRO-SSR4M225G	978	RMBQC	116





## Part Number Index

Part # .....	Page #						
V0216H04.....	388	VN1-2-S.....	360	VN3-5-N.....	366	VSET2025F18.....	298
V0216S01.....	388	VN1-3.5-H.....	360	VN3-5-S.....	366	VSET2050F14.....	298
V0222E02.....	388	VN1-3.5-N.....	360	VN3-7-H.....	366	VSET2050F18.....	298
V0222H04.....	388	VN1-3.5-S.....	360	VN3-8-N.....	366	VSNF2050-NC.....	300
V0222S01.....	388	VN1-3.5-V.....	413	VN3-8-S.....	366	VSNF2050-NO.....	300
V0233E02.....	388	VN1-5-H.....	360	VN3-10-N.....	366	VSNF30100-NC.....	300
V0233H04.....	388	VN1-5-N.....	360	VN3-10-S.....	366	VSNF30100-NO.....	300
V0233S01.....	388	VN1-5-S.....	360	VN3-15-N.....	366	VSNG-1010.....	290
V0242E02.....	389	VN1-6-N.....	414	VN3-15-S.....	366	VSNG-1025.....	290
V0242H04.....	389	VN1-8-H.....	360	VN3-18-N.....	366	VSNG-1420.....	290
V0242S01.....	389	VN1-8-N.....	360	VN3-18-S.....	366	VSNG-1435.....	290
V0253E02.....	389	VN1-8-S.....	360	VN3-20-N.....	366	VSNG-2025-F14.....	290
V0253H04.....	389	VN1-10-H.....	360	VN3-20-S.....	366	VSNG-2025-F18.....	290
V0253S01.....	389	VN1-10-N.....	360	VN3-30-N.....	367	VSNG-2050-F14.....	290
VAC05F05F.....	259	VN1-10-S.....	360	VN3-30-S.....	367	VSNG-2050-F18.....	290
VAC14F14F.....	259	VN1-15-H.....	360	VN3-40-N.....	367	VSNTF2050-NC.....	302
VAC18F18F.....	259	VN1-15-N.....	360	VN3-40-S.....	367	VSNTF2050-NO.....	302
VAPH-8C-SP.....	406	VN1-15-S.....	360	VN3-60-N.....	367	VSNTF30100-NC.....	302
VAPH-12C-SP.....	406	VN1 20 H.....	360	VN3-60-S.....	367	VSNTF30100-NO.....	302
VAPH-15C-3.....	405	VN1-20-N.....	360	VN3-90-N.....	367	VSNTG-1010.....	292
VAPH-15C-SP.....	406	VN1-20-S.....	360	VN3-90-S.....	367	VSNTG-1025.....	292
VAPH-20C-3.....	405	VN1-25-H.....	361	VN10H-T4-PQ2-VQ2-O1P.....	1017	VSNTG-1420.....	292
VAPH-20C-SP.....	406	VN1-25-N.....	361	VPG-15-NBR-BM.....	368	VSNTG-1435.....	292
VAPH-30C-3.....	405	VN1-25-S.....	361	VPG-15-SI-BM.....	368	VSNTG-1620.....	292
VAPH-30C-SP.....	406	VN1-30-H.....	361	VPG-20-NBR-BM.....	368	VSNTG-1635.....	292
VAPH-40C-3.....	405	VN1-30-N.....	361	VPG-20-SI-BM.....	368	VSNTG-2025-F14.....	292
VAPH-40C-SP.....	406	VN1-30-S.....	361	VPG-30-NBR-BM.....	369	VSNTG-2025-F18.....	292
VAPH-60C-SP.....	406	VN1-40-H.....	361	VPG-30-SI-BM.....	369	VSNTG-2050-F14.....	292
VAQ1820.....	316	VN1-40-N.....	361	VPG-40-NBR-BM.....	369	VSNTG-2050-F18.....	292
VAQ1840.....	316	VN1-40-S.....	361	VPG-40-SI-BM.....	369	VSNTG-2540.....	292
VAQN1820.....	316	VN1-50-H.....	362	VPG-50-NBR-BM.....	369	VSNTG-2580.....	292
VAQN1840.....	316	VN1-50-N.....	362	VPG-50-SI-BM.....	369	VSRT-1010.....	286
VBG25-50X.....	200	VN1-50-S.....	362	VSA5.....	332	VSRT-1025.....	286
VBG25-75X.....	200	VN1-60-H.....	362	VSA10.....	373	VSRT-1420.....	286
VBG25-100X.....	200	VN1-60-N.....	362	VSA30.....	373	VSRT-1435.....	286
VBG40-160J.....	200	VN1-60-S.....	362	VSA30F.....	373	VSRT-2025.....	286
VBL50-50X.....	201	VN1-80-H.....	363	VSA40.....	373	VSRT-2050.....	286
VBL50-75X.....	201	VN1-80-N.....	363	VSA50.....	373	VSRF2050-NC.....	300
VBL80-120J.....	201	VN1-80-S.....	363	VSA50F.....	373	VSRF2050-NO.....	300
VBT50-75X.....	200	VN1-95-H.....	363	VSA60.....	373	VSRF30100-NC.....	300
VBT100-75X.....	200	VN1-95-N.....	363	VSA60F.....	373	VSRF30100-NO.....	300
VBT120-120J.....	200	VN1-95-S.....	363	VSA80.....	373	VSRT1010.....	288
VBW0-90X.....	203	VN2-4-H.....	416	VSA80F.....	373	VSRT1025.....	288
VBW45JU.....	201	VN2-4-N.....	416	VSA100.....	373	VSRT1420.....	288
VBW45X.....	201	VN2-4-S.....	416	VSA110.....	373	VSRT1435.....	288
VBW-JU-120.....	200	VN2-6-H.....	416	VSA110F.....	373	VSRT1620.....	288
VBW-X-120.....	200	VN2-6-N.....	416	VSAG-20-BNBR-BM.....	370	VSRT1635.....	288
VITE-455.....	1077	VN2-6-S.....	416	VSAG-20-BSI-BM.....	370	VSRT2025.....	288
VITE-456.....	1077	VN2-10-H.....	364	VSAG-30-NBR-BM.....	370	VSRT2050.....	288
VLR10-30.....	217	VN2-10-N.....	364	VSAG-30-SI-BM.....	370	VSRF2050-NC.....	302
VLR10-60.....	217	VN2-10-S.....	364	VSAG-40-NBR-BM.....	371	VSRF2050-NO.....	302
VLR10-90.....	217	VN2-15-H.....	364	VSAG-40-SI-BM.....	371	VSRF30100-NC.....	302
VLR14-40.....	217	VN2-15-N.....	364	VSAG-50-NBR-BM.....	371	VSRF30100-NO.....	302
VLR14-80.....	217	VN2-15-S.....	364	VSAG-50-SI-BM.....	371	VTB1/8J.....	1061
VLR14-120.....	217	VN2-20-H.....	364	VSD1420D10.....	315	VTB1/8X.....	1061
VLR20-50.....	217	VN2-20-N.....	364	VSD2025D10.....	315	VTB2-1-1/8J.....	1060
VLR20-100.....	217	VN2-20-S.....	364	VSD2025D20.....	315	VTB2-1-1/8X.....	1060
VLR20-150.....	217	VN2-30-H.....	364	VSE1010F05.....	296	VTB2-2-1/8J.....	1060
VLR30-80.....	217	VN2-30-N.....	364	VSE1025F05.....	296	VTB2-2-1/8X.....	1060
VLR30-140.....	217	VN2-30-S.....	364	VSE1420F18.....	296	VUVGL10M52-RTM5-1R8L.....	1017
VLR30-200.....	217	VN2-40-H.....	365	VSE1435F18.....	296	VVX1010F.....	294
VMK14.....	312	VN2-40-N.....	365	VSE2025F14.....	296	VVX1025F.....	294
VMK20.....	312	VN2-40-S.....	365	VSE2025F18.....	296	VVX1420F.....	294
VMK30.....	312	VN2-50-H.....	365	VSE2050F14.....	296	VVX1435F.....	294
VN1-1.5-N.....	412	VN2-50-N.....	365	VSE2050F18.....	296	VVX2025F.....	294
VN1-1.5-S.....	412	VN2-50-S.....	365	VSET1010F05.....	298	VVX2050F.....	294
VN1-1-N.....	412	VN2-75-H.....	365	VSET1025F05.....	298	WGS-QLEKD.....	33
VN1-1-S.....	412	VN2-75-N.....	365	VSET1620F18.....	298	WGS-QLEKGD.....	33
VN1-2-H.....	360	VN2-75-S.....	365	VSET1635F18.....	298	WGS-QLEKRD.....	33
VN1-2-N.....	360	VN3-5-H.....	366	VSET2025F14.....	298	WIV25X.....	195

## Part Number Index

Part # .....	Page #						
WIV40J .....	195	WSL30X .....	209	X-10-SI .....	867	Z-0825 .....	794
WIV50X .....	195	WSL-GA-JU30 .....	210	X-10-ST .....	865	Z-0825-D .....	794
WIV80J .....	195	WSL-GA-X10 .....	210	X-20-DA .....	873	Z-0825-DS .....	794
WKA6-20 .....	222	WSL-GA-X14 .....	210	X-20-DA75 .....	874	Z-0850 .....	794
WKA6-40 .....	222	WSL-GA-X20 .....	210	X-20-DA90 .....	875	Z-0850-D .....	794
WKA6-60 .....	222	WSL-G-X-10-40-U .....	211	X-20-LA .....	875	Z-0850-DS .....	794
WKA10-30 .....	212	WSL-G-X-14-60-U .....	211	X-20-LI .....	877	Z-1650 .....	794
WKA10-60 .....	212	WSL-G-X-20-60-U .....	211	X-20-OR .....	878	Z-1650-D .....	794
WKA10-90 .....	212	WSL-KG-JU20 .....	207	X-20-OS .....	878	Z-1650-DS .....	794
WKA14-40 .....	212	WSL-KG-X10 .....	207	X-20-PE .....	876	Z-2050-D .....	794
WKA14-80 .....	212	WSL-KG-X14 .....	207	X-20-PELA49 .....	876	Z-2050-DS .....	794
WKA14-120 .....	212	WSS1/4J .....	221	X-20-RV45 .....	872	Z-16100 .....	794
WKA20-50 .....	212	WSS1/4X .....	221	X-20-SI .....	877	Z-16100-D .....	794
WKA20-50-BS .....	225	WSS1/8X .....	221	X-20-ST .....	871	Z-16100-DS .....	794
WKA20-100 .....	212	WSSM5L .....	221	X-25/10-1M .....	190	Z-16150 .....	794
WKA20-100-BS .....	225	WST6L .....	223	X-25/18-1M .....	190	Z-16150-D .....	794
WKA20-150 .....	212	WST10L .....	208	X-25/25-1M .....	190	Z-16150-DS .....	794
WKA20-150-BS .....	225	WST10X .....	208	X-25/25-2M .....	190	Z-20100-D .....	794
WKA30-80 .....	212	WST14L .....	208	X-30-DA .....	883	Z-20100-DS .....	794
WKA30-140 .....	212	WST14X .....	208	X-30-DA75 .....	886	Z-20150-D .....	794
WKA30-200 .....	212	WST20J .....	208	X-30-DA90 .....	886	Z-20150-DS .....	794
WLS1/4J .....	220	WST20J-BS .....	224	X-30-LA .....	885	Z-20200-D .....	794
WLS1/4X .....	220	WST20X .....	208	X-30-LI .....	888	Z-20200-DS .....	794
WLS1/8X .....	220	WST20X-BS .....	224	X-30-OR .....	890	ZBH-7 .....	90
WLS-GA-X-1/4-1/8-50 .....	220	WST30J .....	208	X-30-OS .....	890	ZBU-20-V .....	562
WLSM5L/X .....	220	WST30X .....	208	X-30-PE .....	887	ZBU-30-V .....	562
WSD1/4X .....	221	WSWJU20 .....	204	X-30-SI .....	891	ZE-0610P .....	779
WSD1/8X .....	221	WSWJU30 .....	204	X-30-ST .....	881	ZE-0620P .....	779
WSDM5L/X .....	221	WSWX10 .....	204	X-50/25-1M .....	190	ZE-0630P .....	779
WSL6L .....	223	WSWX14 .....	204	X-50/25-2M .....	190	ZE-1010P .....	780
WSL10L/X .....	209	WSWX20 .....	204	XA-20 .....	719	ZE-1020P .....	780
WSL10VX .....	209	X-5-LI .....	862	XA-26 .....	719	ZE-1030P .....	780
WSL14VX .....	209	X-05-OR .....	863	XP-20 .....	719	ZE-1610P .....	781
WSL14X .....	209	X-05-OS .....	863	XP-26 .....	719	ZE-1620P .....	781
WSL20J .....	209	X-05-SI .....	860	XR-20 .....	719	ZE-1630P .....	781
WSL20VJ .....	209	X-05-SI .....	862	XR-26 .....	719	ZG-16-NC .....	844
WSL20VX .....	209	X-5-ST .....	861	XT-20 .....	719	ZG-16-NO .....	844
WSL20X .....	209	X-10-DA .....	866	XT-26 .....	719	ZG-16S-NC .....	844
WSL30J .....	209	X-10-LI .....	866	Y7PL-PNP .....	1004	ZG-16S-NO .....	844
WSL30VJ .....	209	X-10-OR .....	867	Y59AL-NPN .....	1004	ZG-25-NC .....	844
WSL30VX .....	209	X-10-OS .....	867	Y59BL-REED .....	1004	ZG-25-NO .....	844



**Extensive EOAT Inventory!**

### Easy Online Ordering!

- Create Supply Lists
- Order from History
- Export Purchase Orders
- Track Orders

### Product Pages Include:

- CAD file downloads
- 360° 3D Views
- Dimensional drawings
- Related items



**Part Number Index**

<b>Part #</b> .....	<b>Page #</b>						
ZG-25S-NC	844	ZP10CN	378	ZP20BU	380	ZP40UN	377
ZG-25S-NO	844	ZP10CS	378	ZP20CN	378	ZP40US	377
ZHS-20-30	745	ZP10CU	378	ZP20CS	378	ZP40UU	377
ZJ-3235	774	ZP10DN	382	ZP20CU	378	ZP50BN	381
ZL1650	786	ZP10DS	382	ZP20UN	377	ZP50BS	381
ZL2550	786	ZP10DU	382	ZP20US	377	ZP50BU	381
ZL16100	786	ZP10UGS	376	ZP20UU	377	ZP50CN	379
ZL25100	786	ZP10UN	376	ZP25BN	380	ZP50CS	379
ZL-K20	787	ZP10US	376	ZP25BS	380	ZP50CU	379
ZL-K30	787	ZP10UU	376	ZP25BU	380	ZP50UN	377
ZP02UGS	376	ZP13BGS	380	ZP25CN	378	ZP50US	377
ZP02UN	376	ZP13BN	380	ZP25CS	378	ZP50UU	377
ZP02US	376	ZP13BS	380	ZP25CU	378	ZPRL06B5	383
ZP02UU	376	ZP13BU	380	ZP25DN	382	ZPRL06B8	383
ZP04UGS	376	ZP13CN	378	ZP25DS	382	ZPRL08B8	383
ZP04UN	376	ZP13CS	378	ZP25DU	382	ZPRS04B5	383
ZP04US	376	ZP13CU	378	ZP25UN	377	ZPRS06B5	383
ZP04UU	376	ZP13UGS	376	ZP25US	377	ZPT1B5	383
ZP06BGS	380	ZP13UN	376	ZP25UU	377	ZPT2A5	383
ZP06BN	380	ZP13US	376	ZP32BN	381	ZPT2B5	383
ZP06BS	380	ZP13UU	376	ZP32BS	381	ZPT3A8	383
ZP06BU	380	ZP16BGS	380	ZP32BU	381	ZPT3B5	383
ZP06UN	376	ZP16BN	380	ZP32CN	379	ZPT3B8	383
ZP06US	376	ZP16BS	380	ZP32CS	379	ZPT4A8	383
ZP06UU	376	ZP16BU	380	ZP32CU	379	ZPT4B8	383
ZP08BGS	380	ZP16CN	378	ZP32UN	377	ZTB10	217
ZP08BN	380	ZP16CS	378	ZP32US	377	ZTB14	217
ZP08BS	380	ZP16CU	378	ZP32UU	377	ZTB20	217
ZP08BU	380	ZP16DN	382	ZP40BN	381	ZTB30	217
ZP08UGS	376	ZP16DS	382	ZP40BS	381	ZTE-20-V	562
ZP08UN	376	ZP16DU	382	ZP40BU	381	ZTE-30-V	562
ZP08US	376	ZP16UGS	376	ZP40CN	379	ZTS14N	528
ZP08UU	376	ZP16UN	376	ZP40CS	379	ZTS20N	528
ZP10BGS	380	ZP16US	376	ZP40CU	379	ZTS30N	528
ZP10BN	380	ZP16UU	376	ZP40DN	382		
ZP10BS	380	ZP20BN	380	ZP40DS	382		
ZP10BU	380	ZP20BS	380	ZP40DU	382		

**Visit and subscribe** to EMI's YouTube channel to watch the latest videos on our EOAT products!

Find us at [www.youtube.com/EMICorpVideo](http://www.youtube.com/EMICorpVideo)



## Credit Application

Return signed Credit Application to: AR@EMlcorp.com  
 EMI Corp. PO Box 590, Jackson Center, Ohio 45334  
 937-596-5511, Fax: 216-535-4876

Company Name: \_\_\_\_\_

Telephone: \_\_\_\_\_

Trade Name: \_\_\_\_\_

Email: \_\_\_\_\_

Address: \_\_\_\_\_

Year Started Business: \_\_\_\_\_

City: \_\_\_\_\_ St: \_\_\_\_\_ Zip: \_\_\_\_\_

Number of Employees: \_\_\_\_\_

Is this address: Bill to Ship to Both

Business Ownership:

Corporation  Partnership  Sole Partnership

Billing Address (If different than above):

Accounts Payable Contact: \_\_\_\_\_

Address: \_\_\_\_\_

Email: \_\_\_\_\_

City: \_\_\_\_\_ St: \_\_\_\_\_ Zip: \_\_\_\_\_

Tel: \_\_\_\_\_

Owner/Officer: \_\_\_\_\_

Title: \_\_\_\_\_

Address: \_\_\_\_\_

Telephone: \_\_\_\_\_

Owner/Officer: \_\_\_\_\_

Title: \_\_\_\_\_

Address: \_\_\_\_\_

Telephone: \_\_\_\_\_

Business Emphasis: \_\_\_\_\_

Primary Market: \_\_\_\_\_

Primary geographical marketing area: \_\_\_\_\_

What major manufacturers do you purchase from directly? \_\_\_\_\_

Under what payment terms? \_\_\_\_\_

Please list names of your purchasing people:

\_\_\_\_\_ Tel: \_\_\_\_\_ Ext. \_\_\_\_\_ Email: \_\_\_\_\_

\_\_\_\_\_ Tel: \_\_\_\_\_ Ext. \_\_\_\_\_ Email: \_\_\_\_\_

\_\_\_\_\_ Tel: \_\_\_\_\_ Ext. \_\_\_\_\_ Email: \_\_\_\_\_

\_\_\_\_\_ Tel: \_\_\_\_\_ Ext. \_\_\_\_\_ Email: \_\_\_\_\_

Anticipated purchases in the next 12 months:

- Up to \$7,500  
 \$7,500 – \$15,000  
 \$15,000 – \$25,000  
 \$25,000 & over

Comments or other information about your company:

# Credit Application

**Billing Information:**Purchase Order or I.D. required for purchase?:  Yes  No If Yes, explain: \_\_\_\_\_State Sales Tax applicable?:  Yes  No If No, attach a signed Sales Tax Exemption Form \_\_\_\_\_

Anticipated monthly purchases: \_\_\_\_\_

**Bank Reference:**

Bank: \_\_\_\_\_ Account #: \_\_\_\_\_

City: \_\_\_\_\_ St: \_\_\_\_\_ Zip: \_\_\_\_\_

**Trade References: (Must be current vendors)**

Name: \_\_\_\_\_

Address: \_\_\_\_\_

City: \_\_\_\_\_ St: \_\_\_\_\_ Zip: \_\_\_\_\_

Email: \_\_\_\_\_

Phone: \_\_\_\_\_ Fax: \_\_\_\_\_

Name: \_\_\_\_\_

Address: \_\_\_\_\_

City: \_\_\_\_\_ St: \_\_\_\_\_ Zip: \_\_\_\_\_

Email: \_\_\_\_\_

Phone: \_\_\_\_\_ Fax: \_\_\_\_\_

Name: \_\_\_\_\_

Address: \_\_\_\_\_

City: \_\_\_\_\_ St: \_\_\_\_\_ Zip: \_\_\_\_\_

Email: \_\_\_\_\_

Phone: \_\_\_\_\_ Fax: \_\_\_\_\_

Name: \_\_\_\_\_

Address: \_\_\_\_\_

City: \_\_\_\_\_ St: \_\_\_\_\_ Zip: \_\_\_\_\_

Email: \_\_\_\_\_

Phone: \_\_\_\_\_ Fax: \_\_\_\_\_

Trade References should be small businesses you are currently on NET terms with. Large corporations will not share trade information. Providing references that will not share information will only delay your application.

**Credit Terms: Please Read Carefully and Sign**

**THE ABOVE INFORMATION IS FOR THE PURPOSE OF OBTAINING CREDIT AND IS WARRANTED TO BE TRUE. FALSE OR MISLEADING INFORMATION WILL CAUSE REVOCATION OF ANY EXTENSION OF CREDIT.**

**I/WE/BUSINESS/ORGANIZATION ("APPLICANT") HEREBY AUTHORIZES EMI CORP. OR ANY CREDIT BUREAU EMPLOYED BY THEM TO INVESTIGATE THE REFERENCES HEREIN LISTED OR STATEMENTS OR OTHER DATA OBTAINED FROM ANY OTHER PERSON PERTAINING TO OUR CREDIT RESPONSIBILITY AND TO SUPPLY FURTHER INFORMATION IF REQUESTED. THE APPLICANT UNDERSTANDS AND AGREES TO PAY ALL CHARGES BY THE 30TH DAY FOLLOWING THE DATE OF INVOICE AND THAT PAYMENT TERMS ARE NOT BASED ON RECEIVING A STATEMENT. THE APPLICANT WILLINGLY AGREES TO PAY ALL COSTS OF COLLECTION, LEGAL AND OTHERWISE, ON ANY INVOICES AFTER 30 DAYS FROM INVOICE DATE. THE APPLICANT FURTHER AGREES, THAT ANY DISPUTES WILL BE PUT IN WRITING WITHIN 10 DAYS OF RECEIPT OF GOODS. THE APPLICANT ALSO AGREES THAT ANY DISPUTES OR LITIGATION THAT MAY ARISE SHALL BE INTERPRETED BY THE LAWS OF THE STATE OF OHIO WITHOUT REFERENCE TO CHOICE OF LAW PROVISIONS.**

\_\_\_\_\_  
**Business Name**\_\_\_\_\_  
**Trade Name**

**THE APPLICANT DOES HEREBY ASSUME RESPONSIBILITY FOR THE DEBTS OF THE APPLICATION HEREIN. I CONFIRM THAT I AM AN AUTHORIZED SIGNATORY ON BEHALF OF THE APPLICANT.**

\_\_\_\_\_  
**Authorized Signature**\_\_\_\_\_  
**Title**

## EMI Terms and Conditions

**Acceptance:** Sales by EMI Corp and its subsidiaries and divisions ("EMI") are expressly limited to these Terms and Conditions. All orders are subject to approval by EMI. Any purchase order, acknowledgement or other communication submitted by the Buyer which contains additional or contrary terms and conditions of sale are rejected.

**Prices:** Quoted prices are effective for 30 days from date of quotation; thereafter, prices are subject to change without notice. Prices listed in EMI's catalogs are current at time of publication and are subject to change without notice. Unless otherwise indicated, quantity discounts are offered only for like units ordered at the same time, on a single purchase order, for shipment per our standard delivery schedule. Any local, state or federal tax levied on the sale will be added to the purchase price and paid by the Buyer. Any portion of the price not paid when due will bear interest from the due date at the rate of 12% per annum or at the next lowest annual percentage rate as is permissible under any applicable usury law.

**Terms:** All orders are subject to credit approval by EMI. For orders [and multiple purchase orders constituting a project] less than \$20,000: Net 30 Days. For orders [and multiple purchase orders constituting a project] over \$20,000: 30% down with order, 70% net 30 days.

**Cancellation:** Orders may not be cancelled without EMI's prior written consent.

**Shipment Schedule:** All shipping dates are approximate. Shipment shown is based on available inventory, and engineering and production schedules at time of quotation. A better estimate of lead-times will be given at time of order placement. EMI will not be liable for any damage, loss of profit, or expenses arising out of delays in shipment or other nonperformance of this transaction caused by or imposed by (a) strikes, fires, disasters, riots, acts of God, (b) acts of Buyer, (c) shortages of labor, fuel, power, materials, supplies, transportation or manufacturing facilities, (d) government action, (e) subcontractor delay or (f) any other cause or condition beyond EMI's reasonable control. Additionally, EMI assumes NO responsibility for delivery performance, cost surcharges, or other fees imposed by a carrier, whether selected by Buyer or EMI.

**Shipment:** Shipment of products is ExW (ex-works), EMI facility, Jackson Center OH, or EMI facility, Wickliffe, OH. Packages weighing less than 75lbs. are shipped via small parcel service, pre-paid via EMI carrier of choice and added to the invoice unless otherwise specified. Shipments weighing over 75lbs., or oversized, are shipped Freight Collect via truck (common carrier) unless otherwise specified and agreed to by EMI. All shipments will be insured at the buyer's cost for the full value of the shipment unless buyer expressly waives insurance coverage in writing prior to shipment. All claims of shortages, defects or rejections must be made by the Buyer in writing within 15 days after receipt of the shipment. Claims of damage must be made to the carrier in accordance with its procedures.

**Notes:**

- (1) Shipments more than 75lbs. or shipments that are oversized are generally fully crated and/or skid mounted - dependent upon size and quantity.
- (2) In cases of skid or crate shipments, Buyer should specify a freight carrier with whom Buyer has an established account. Failure to specify a carrier can result in shipment delays or require payment to freight company before equipment can be unloaded at Buyer's dock.
- (3) EMI assumes no responsibility for shipments delayed or those received "Driver Collect" due to a trucking company not being specified by Buyer.
- (4) Truck shipments shipped Freight Prepaid and charged back will be invoiced to Buyer on a separate Freight Invoice plus a 10% handling fee with terms of net 15 days.

**Delivery Loss and Damage Claims:**

All claims must be made within 10 days of delivery. Claims must be filed with the freight carrier and must be initiated by the party who is responsible for payment of freight – EMI for Prepaid terms, the Buyer for Collect or Receiver terms. EMI will attempt to assist in the resolution of freight claims but shall not assume responsibility for Collect/Receiver initiated claims. Freight carriers may require shipping charges to be paid before issuing a credit on a claim and does not relieve the responsible party for payment of freight charges.

Proof of delivery requests must be received within 90 calendar days of shipment. After 90 days of shipment, the Buyer waives its right to dispute delivery of goods and agrees not to withhold payment against alleged non-delivery.

**Export Control:** Buyer acknowledges that EMI's products are subject to U.S. export controls and economic sanctions laws and regulations. Buyer agrees not to export, re-export, or retransfer EMI's products to any entity subject to US sanctions, embargoes, or trade restrictions, and to comply with all applicable U.S. export controls and economic sanctions laws and regulations regarding EMI products.

**Export Shipment:**

Buyer is responsible for the payment of all international shipping costs and taxes and duties including but not limited to: VAT, tariff, duty, taxes, customs clearance charges, freight forwarder fees and warehousing charges, and other charges related to international shipments. EMI is not responsible for delays due to freight transport, customs clearance, import/export holds, freight forwarder delays, or the Buyer not providing EMI necessary information for export documentation.

An Automated Export System (AES) filing is required for most exports exceeding \$2,500. An AES filing is often submitted by the U.S. Principal Party in Interest (USPPI), which is typically EMI. It can also be submitted by an authorized agent of the USPPI, such as a freight forwarder. If EMI authorizes the Buyer's freight forwarder or agent to file on behalf of EMI, EMI must receive a full copy of the AES filing submitted by the freight forwarder within three business days of receipt by the freight forwarder. If EMI does not receive a copy of the filing within three business days of shipment, EMI reserves the right to not authorize future power of attorney documentation to file the AES on behalf of EMI and to withhold further shipments pending EMI being provided all information necessary for AES filing.

**Installation:** Unless otherwise indicated, Buyer is solely responsible for safe installation of the equipment. In all cases, Buyer remains responsible for proper maintenance and guarding in accordance with applicable OSHA, federal, state, local, and other applicable regulations. **SERIOUS BODILY INJURY OR PROPERTY DAMAGE MAY RESULT FROM IMPROPER USE, GUARDING, OR MAINTENANCE OF EMI PRODUCTS OR PRODUCTS RESOLD BY EMI.**

**Limited Warranty:**

**Conveyor Products:** Conveyors (other than belting), motors, gear reducers and other drive components are guaranteed for three years from the date of shipment to be free from defects in material and workmanship when maintained in accordance with EMI manuals and operated under the conditions for which they were designed. Belting is guaranteed for 90 days under the same conditions.

**EOAT Products:** EMI, Gimatic, and Senvex EOAT products are guaranteed for 1 year from the date of shipment to be free from defects in material and workmanship when maintained in accordance with their respective product manuals and operated under the conditions for which they were designed. Wear items such as, but not limited to; vacuum cups, nipper blades, air hand expanders and inflators are not warranted.

## EMI Terms and Conditions

**Injection Molding Supplies:** EMI manufactured accessory products for injection machines are guaranteed for 1 year from the date of shipment to be free from defects in material and workmanship when maintained in accordance with their respective product manuals and operated under the conditions for which they were designed. Wear and consumable items such as, but not limited to; non-return valves, nozzles, gate cutters, mold spray, oil sorbent, oil filters, etc. are not warranted.

Third party equipment or components are not warranted except where specified, but any third party warranties are, to the extent permitted, passed through to the Buyer. Damage, due to abuse, accident, misuse, modification, improper installation or maintenance, or improper electrical or mechanical applications are not covered by the Limited Warranty.

Furthermore, this Limited Warranty shall be void and of no effect whatsoever in the event the equipment is not used in accordance with and/or for the purpose provided, or if damages by reason of abnormal weather conditions, acts of God, falling objects, explosions, fire, riots, civil commotion, external forces, faulty or inadequate installation, acts of war, radiation, harmful fumes or foreign substances in the atmosphere, floods or use in structures not in accordance with accepted engineering standards.

Any claim for breach of the Limited Warranty must be made and presented to EMI in writing within a period of thirty (30) days following the discovery of the alleged defect, failing which the foregoing Limited Warranty shall be void and of no effect whatsoever. Alleged defective products shall be returned to EMI for inspection. Buyer must receive written authorization from EMI before returning any products and Buyer shall ship the products to EMI freight pre-paid at Buyer's expense. Authorization to return products is for purposes of inspection and shall not constitute acceptance of a product defect. Returned products must be suitably crated or packaged by the Buyer to prevent damage. EMI will inspect the returned products for defect. If inspection reveals a defect, Buyer's sole recourse for breach of warranty is the repair or replacement of defective products or the return of purchase price, at EMI's sole discretion. Repaired or replaced products are returned to the Buyer at no charge. If inspection reveals no defect, EMI will return the product to the Buyer at the Buyer's expense.

**EMI MAKES NO OTHER WARRANTIES, EXPRESS OR IMPLIED, WITH RESPECT TO THE EQUIPMENT OR THE USE OF THE EQUIPMENT OR THE PERFORMANCE OF THE EQUIPMENT. EMI SPECIFICALLY MAKES NO WARRANTY OF MERCHANTABILITY OR FITNESS FOR A PARTICULAR PURPOSE. EMI NEITHER ASSUMES, NOR AUTHORIZES ANY PERSON TO ASSUME FOR IT, ANY WARRANTY NOT SPECIFICALLY PROVIDED HEREIN.**

**Limitation of Liability:** EMI's liability under this transaction will not exceed the purchase price. **EMI IS NOT LIABLE FOR ANY CONSEQUENTIAL, SPECIAL OR INCIDENTAL DAMAGES ARISING OUT OF OR RELATING DIRECTLY OR INDIRECTLY TO THIS TRANSACTION OR AS A RESULT OF THE SALE OF PRODUCTS OR EQUIPMENT, A BREACH OF THE WARRANTY PROVIDED HEREIN OR ANY USE OR MISUSE OF THE PRODUCTS OR EQUIPMENT.**

**Indemnification:** Buyer agrees to indemnify and hold EMI harmless and defend EMI from and against all liability and expense based upon bodily injury, property damage or economic loss, arising, directly or indirectly, from the production, sale, re-sale, transportation, storage or the use of products sold by the Buyer, except as caused by the sole negligence of EMI.

**Returns:** Buyers may request a product be returned to EMI for credit of purchase price. A material return number (RMA#) must be obtained before any products may be sent back to EMI. Buyer understands that obtaining an RMA number does not constitute EMI's acceptance of the return. Buyer may return the products via freight carrier of their choice, and shipping must be at Buyers cost (pre-paid). Buyer must package the products suitably to prevent damage to

the products being returned. An inspection of the returned products will be conducted to determine if full or partial credit will be issued against the original purchase price. If the item is returned in the same condition as it was originally sent, and sealed in the original packaging that it was shipped from EMI a re-stocking fee or other credit adjustment is typically waived. Built to order, customized, and non-standard or other non-stock parts including but not limited to alterations to the product that Buyer make are subject to a re-stocking fee and may not qualify for return credit.

**Law:** This transaction is governed and construed in accordance with the laws of the State of Ohio (exclusive of any conflict of laws provision) and the Buyer consents and submits to the jurisdiction of any state court located in Shelby County, Ohio. If any provision of these Terms and Conditions is deemed to be held invalid, illegal, unenforceable, or inoperative, the balance of these Terms and Conditions will remain in full force and effect as if such revision had not been included.

Click here to download  
our Credit Application,  
Submit to: AR@EMInc.com