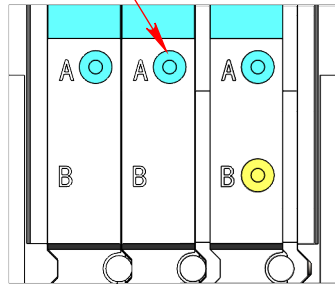
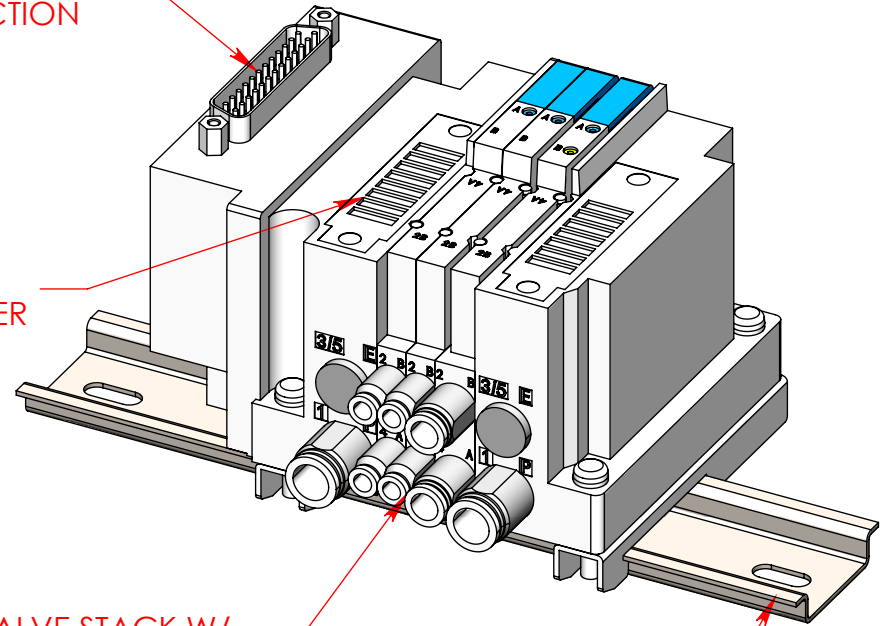


IP40 - 25 PIN D-SUB CONNECTOR WITH ADJUSTABLE DIRECTION

MANUAL OVERRIDE BUTTON

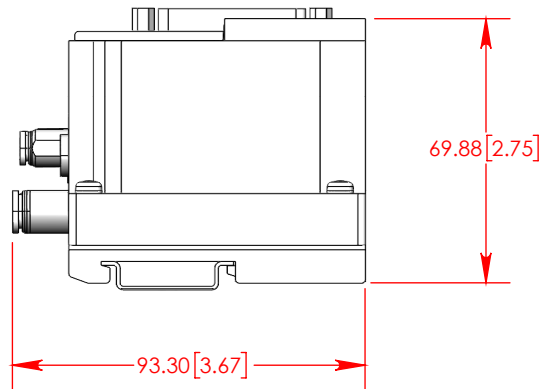
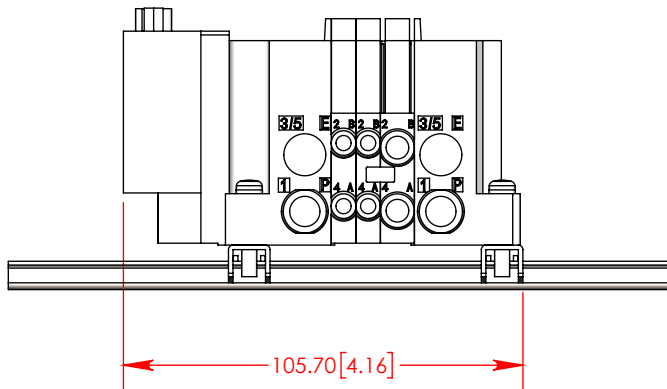
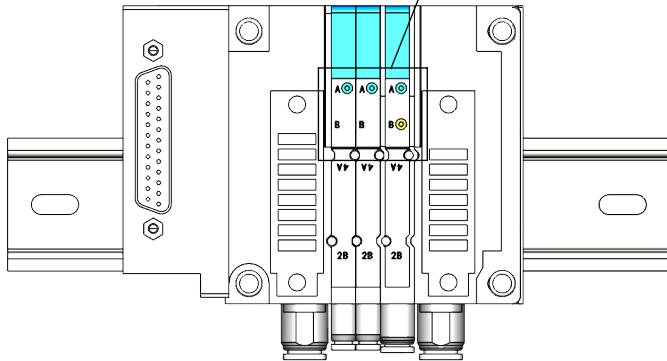


INTEGRATED EXHAUST/SILENCER



3-ZONE VALVE STACK W/ P&E BLOCKING DISKS BETWEEN ZONE 2 AND 3

175mm DIN-RAIL



EMI CORP.COM
28300 Euclid Ave, Wickliffe, OH 44092

APPLICATIONS ENGINEERING

Title: Q# 2801 3-Zone Valve Kit
End - Of - Arm - Tooling 3D Design Assistance

DIMENSIONAL DRAWING

PROJECT: Q# 2801

Rev 0

SCALE: NTS

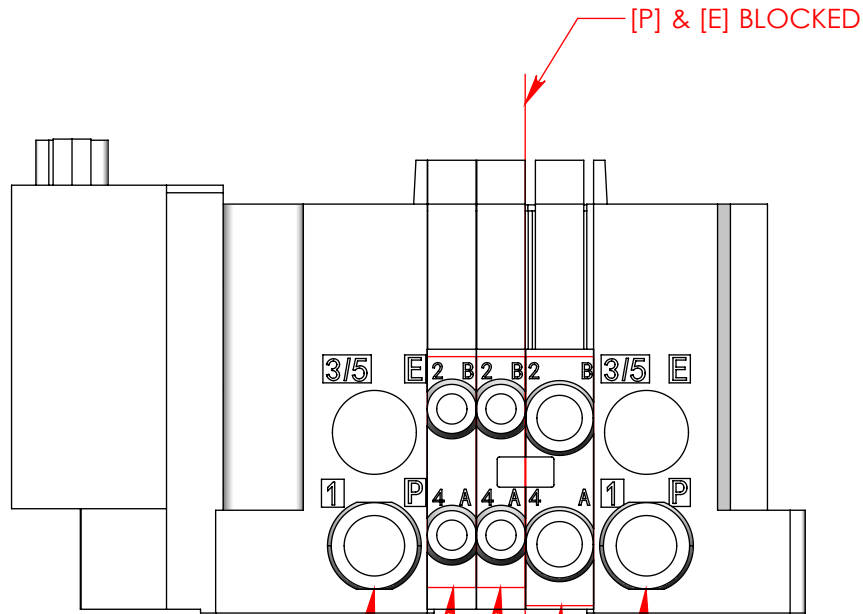
DIMENSIONS mm[in]

DRAWN BY:

DATE: 2/4/2021

SHEET 1 OF 3

PART NUMBER/NAME: Quick# 2801 - CRA-JSY1-P3Z-1



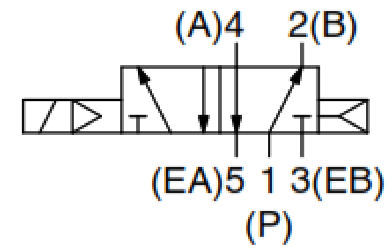
SUPPLY 1: Ø8mm SUPPLY GRIPPER CIRCUITS

ZONE 1 [GRIPPER 1]: 5/2 - Ø4mm OUTPUTS SINGLE SOLENOID (MONOSTABLE)

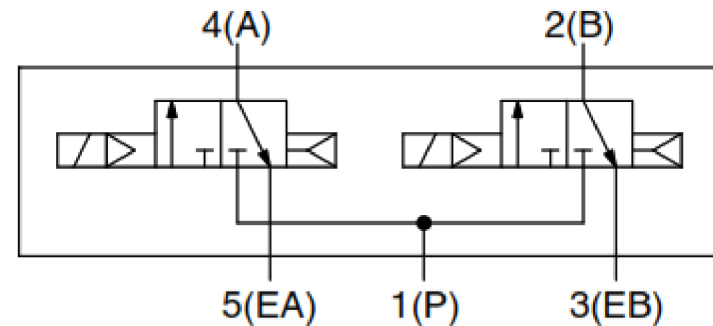
ZONE 2 [GRIPPER 2]: 5/2 - Ø4mm OUTPUTS SINGLE SOLENOID (MONOSTABLE)

ZONE 3 [BLOW-OFF]: DUAL 3/2 - Ø6mm OUTPUTS SINGLE SOLENOID (MONOSTABLE)
P/E BLOCKED - SEPERATE SUPPLY

SUPPLY 2: Ø8mm SUPPLY BLOW-OFF/ACCESSORY CIRCUIT



ZONE 1 & ZONE 2 - PNEUMATIC DIAGRAM FOR GRIPPERS
5 PORT/2 POSITION, SINGLE SOLENOID (MONOSTABLE) VALVE



ZONE 3 - PNEUMATIC DIAGRAM FOR BLOW-OFF(S)
DUAL 3 PORT/2 POSITION, N.C. SINGLE SOLENOID (MONOSTABLE) VALVE
(COMBINED: 5 PORT/4 POSITION, DOUBLE SOLENOID)

EMI CORP.COM
28300 Euclid Ave, Wickliffe, OH 44092

APPLICATIONS ENGINEERING

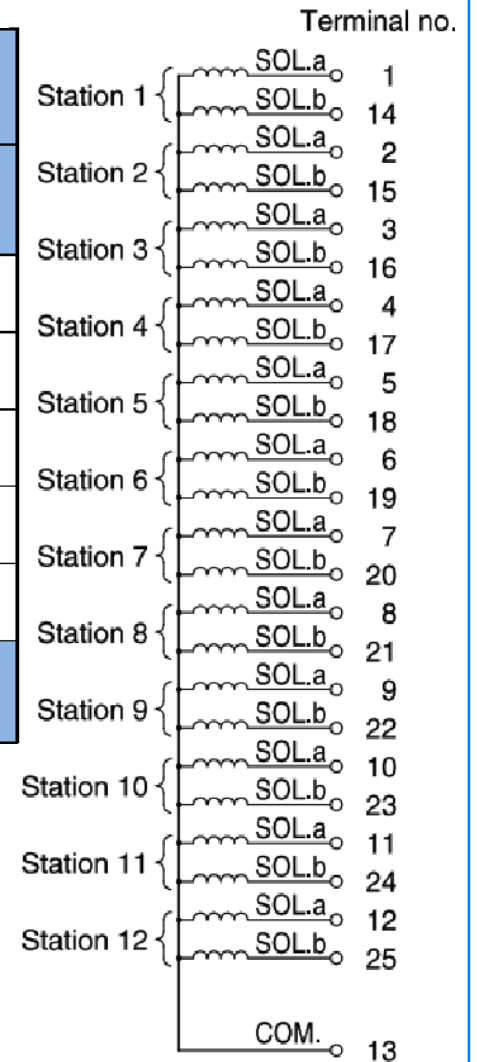
Title: Q# 2801 3-Zone Valve Kit
End - Of - Arm - Tooling 3D Design Assistance

VALVE FUNCTION	PROJECT: Q# 2801	Rev 0	SCALE: NTS
DIMENSIONS mm[in]	DRAWN BY: CRooney	DATE: 2/4/2021	SHEET 2 OF 3

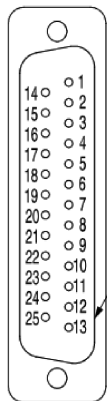
3-Zone Valve Wiring Diagram

	Lead Wire Color & Dot/Tracker Marking	Terminal No.	Function
Zone 1	Black	1 (Sol. A)	Gripper 1 - CLOSED (24Vdc, Maintained Signal)
Zone 2	Brown	2 (Sol. A)	Gripper 2 - CLOSED (24Vdc, Maintained Signal)
Zone 3	Red	3 (Sol. A)	Blow-off 1 - ON (24Vdc, Maintained Signal)
	Blue/White	16 (Sol. B)	Blow-off 2 - ON (24Vdc, Maintained Signal)
COM.	Orange/Red	13	0Vdc - Negative Common

Quick #2801 (P/N: CRA-JSY1-P3Z-1)

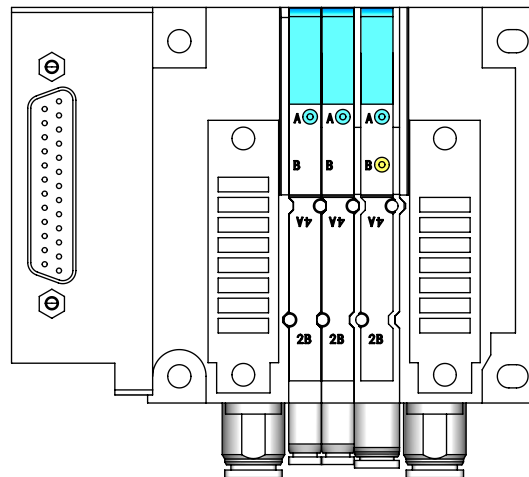
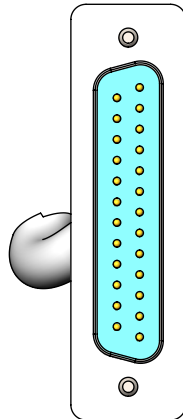


D-sub connector



If alignment is not specified, the internal wiring is double wiring (connected to SOL. a and SOL. b) regardless of number of stations, valve and option types.

Connector terminal no.



EMI CORP.COM
28300 Euclid Ave, Wickliffe, OH 44092

APPLICATIONS ENGINEERING

Title: Q# 2801 3-Zone Valve Kit
End - Of - Arm - Tooling 3D Design Assistance

WIRE DIAGRAM	PROJECT: Q# 2801	Rev 0	SCALE: NTS
DIMENSIONS mm[in]	DRAWN BY: CRooney	DATE: 2/4/2021	SHEET 3 OF 3