

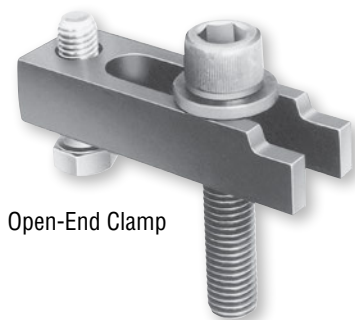
## 4" Mold Clamps

### Through-hardened steel, open or closed end, socket or oversize hex bolt

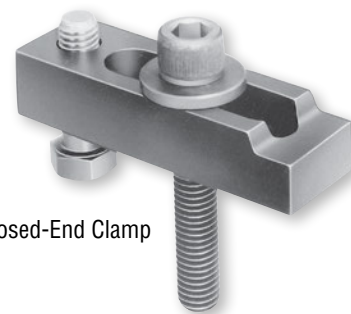
EMI's through-hardened steel clamps last longer than less expensive case-hardened clamps. These are easy to install and are adjustable, so that no spacers are required. The washers are extra-large and hardened. Metric thread bolts are available as an option.

#### 4" Machined Mold Clamps: Socket Head Bolt Style

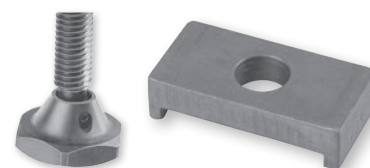
	Description	Quick#	Part#	Price	
	<b>3/4" -10 Platen Holes</b>			<b>(1-15)</b>	<b>(16+)</b>
<b>Total Price</b>	<b>Complete Clamp Assembly</b>	<b>M401</b>	<b>87C434S</b>	<b>\$22.80</b>	<b>\$22.11</b>
	4" Open-End Clamp Only	M402	87C4	\$17.12	\$15.89
	Oversize Washer	M403	8734W	\$1.48	\$1.48
	Socket Head Bolt 3/4"-10 x 3 1/2"	M404	8734H	\$3.47	\$3.47
	Leveling Bolt 5/8"-11 x 2"	M405	87AB	\$1.12	\$1.12
	<b>5/8" -11 Platen Holes</b>			<b>(1-15)</b>	<b>(16+)</b>
<b>Total Price</b>	<b>Complete Clamp Assembly</b>	<b>M406</b>	<b>87C458S</b>	<b>\$21.61</b>	<b>\$20.96</b>
	4" Open-End Clamp Only	M402	87C4	\$17.12	\$15.89
	Oversize Washer	M407	8758W	\$1.48	\$1.48
	Socket Head Bolt 5/8"-11 x 3 1/2"	M408	8758H	\$2.33	\$2.33
	Leveling Bolt 5/8"-11 x 2"	M405	87AB	\$1.12	\$1.12
	<b>3/4" -10 Platen Holes</b>			<b>(1-15)</b>	<b>(16+)</b>
<b>Total Price</b>	<b>Complete Clamp Assembly</b>	<b>M409</b>	<b>87C4C34S</b>	<b>\$22.80</b>	<b>\$22.11</b>
	4" Closed-End Clamp Only	M410	87C4C	\$17.12	\$15.89
	Oversize Washer	M403	8734W	\$1.48	\$1.48
	Socket Head Bolt 3/4"-10 x 3 1/2"	M404	8734H	\$3.47	\$3.47
	Leveling Bolt 5/8"-11 x 2"	M405	87AB	\$1.12	\$1.12
	<b>5/8" -11 Platen Holes</b>			<b>(1-15)</b>	<b>(16+)</b>
<b>Total Price</b>	<b>Complete Clamp Assembly</b>	<b>M411</b>	<b>87C4C58S</b>	<b>\$21.61</b>	<b>\$20.96</b>
	4" Closed-End Clamp Only	M410	87C4C	\$17.12	\$15.89
	Oversize Washer	M407	8758W	\$1.48	\$1.48
	Socket Head Bolt 5/8"-11 x 3 1/2"	M408	8758H	\$2.33	\$2.33
	Leveling Bolt 5/8"-11 x 2"	M405	87AB	\$1.12	\$1.12
	<b>Options</b>			<b>(1-15)</b>	<b>(16+)</b>
	Anti-Slip Washer for 5/8"-11	M419	8758RW05	\$8.89	\$8.89
	Anti-Slip Washer for 3/4"-10	M420	8734RW05	\$8.89	\$8.89
	Swivel-Style Leveling Bolt	M414	8758SB	\$18.30	\$18.30
	4 1/2" Long Platen Bolts SHCS	M421	87-60	\$4.54	\$4.54
<b>Metric Thread Platen Bolt – See page 193</b>					



Open-End Clamp



Closed-End Clamp

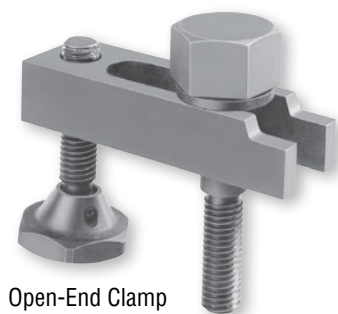


Options

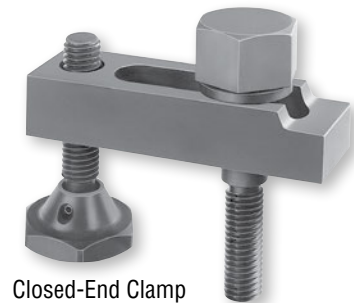
When ordering, use Quick#s to ensure order accuracy.

4" Machined Mold Clamps: Oversize Hex Head Bolt Style

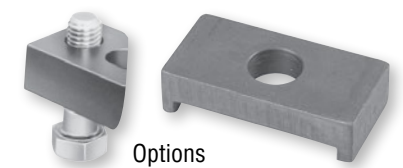
4" Mold Clamps



Open-End Clamp



Closed-End Clamp



Options

	Description	Quick#	Part#	Price	
	<b>3/4" -10 Platen Holes</b>			<b>(1-15)</b>	<b>(16+)</b>
<b>Total Price</b>	<b>Complete Clamp Assembly</b>	<b>M412</b>	<b>87C434SOS</b>	<b>\$47.07</b>	<b>\$45.65</b>
	4" Open-End Clamp Only	M402	87C4	\$17.12	\$15.89
	Oversize Washer	M403	8734W	\$1.48	\$1.48
	Oversize Hex Bolt 3/4"-10 x 3 1/2"	M413	8734OS	\$10.15	\$10.15
	Swivel Bolt 5/8"-11 x 3 1/4"	M414	8758SB	\$18.30	\$18.30
	<b>5/8" -11 Platen Holes</b>			<b>(1-15)</b>	<b>(16+)</b>
<b>Total Price</b>	<b>Complete Clamp Assembly</b>	<b>M415</b>	<b>87C458SOS</b>	<b>\$45.72</b>	<b>\$44.34</b>
	4" Open-End Clamp Only	M402	87C4	\$17.12	\$15.89
	Oversize Washer	M403	8734W	\$1.48	\$1.48
	Oversize Hex Bolt 5/8"-11 x 3 1/2"	M416	8758OS	\$8.81	\$8.81
	Swivel Bolt 5/8"-11 x 3 1/4"	M414	8758SB	\$18.30	\$18.30
	<b>3/4" -10 Platen Holes</b>			<b>(1-15)</b>	<b>(16+)</b>
<b>Total Price</b>	<b>Complete Clamp Assembly</b>	<b>M417</b>	<b>87C4C34SOS</b>	<b>\$47.07</b>	<b>\$45.65</b>
	4" Closed-End Clamp Only	M410	87C4C	\$17.12	\$15.89
	Oversize Washer	M403	8734W	\$1.48	\$1.48
	Oversize Hex Bolt 3/4"-10 x 3 1/2"	M413	8734OS	\$10.15	\$10.15
	Swivel Bolt 5/8"-11 x 3 1/4"	M414	8758SB	\$18.30	\$18.30
	<b>5/8" -11 Platen Holes</b>			<b>(1-15)</b>	<b>(16+)</b>
<b>Total Price</b>	<b>Complete Clamp Assembly</b>	<b>M418</b>	<b>87C4C58SOS</b>	<b>\$45.72</b>	<b>\$44.34</b>
	4" Closed-End Clamp Only	M410	87C4C	\$17.12	\$15.89
	Oversize Washer	M403	8734W	\$1.48	\$1.48
	Oversize Hex Bolt 5/8"-11 x 3 1/2"	M416	8758OS	\$8.81	\$8.81
	Swivel Bolt 5/8"-11 x 3 1/4"	M414	8758SB	\$18.30	\$18.30
	<b>Options</b>			<b>(1-15)</b>	<b>(16+)</b>
	Anti-Slip Washer for 5/8"-11	M419	8758RW05	\$8.89	\$8.89
	Anti-Slip Washer for 3/4"-10	M420	8734RW05	\$8.89	\$8.89
	Non-Swivel Leveling Bolt	M405	87AB	\$1.12	\$1.12
	4 1/2" Long Platen Bolts OSH	M422	87-101	\$13.69	\$13.69
<b>Metric Thread Platen Bolt – See page 193</b>					

