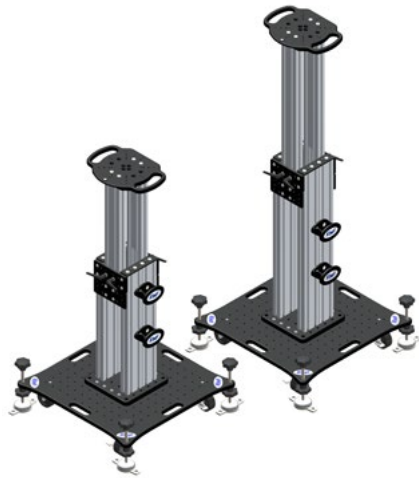


EMI[®] Adjustable Height & Fixed Height Cobot Stands

EMI's cobot pedestals extend the reach of a cobot arm. They are heavy-duty for industrial use and come in many heights, both adjustable and fixed, and bases that are either mobile and stationary.

The mobile base units come with leveling feet, and heavy-duty castors where the fixed base units have a bolt-down base. Need a custom height or configuration? Use the form on the following page!

In-Stock Cobot Pedestal Pricing:



Mobile Base (Aluminum Profile Riser) with Adjustable Height

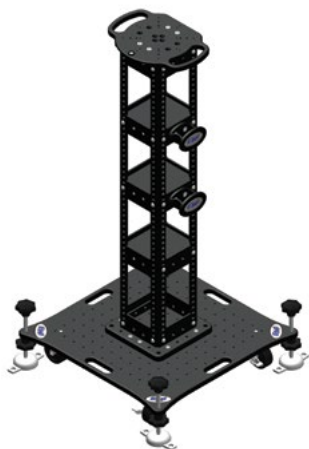
Quick #	Part #	Description	Price
8901	CRS-MA-2844	28.5"-44.5" OAH	\$2,580.00
8902	CRS-MA-3558	35.5"-58.8" OAH	\$2,642.00

Note: The mobile base unit adds roughly 4.7" to the overall height.



Fixed Base (Aluminum Profile Riser) with Adjustable Height

Quick #	Part #	Description	Price
8920	CRS-FA-2339	23.7"-39.9" OAH	\$1,298.00
8921	CRS-FA-3054	30.8"-54" OAH	\$1,360.00



Mobile Base (Steel Riser) with Fixed Height

Quick #	Part #	Description	Price
8910	CRS-MF-35	35.3" OAH	\$2,267.00
8911	CRS-MF-41	41.6" OAH	\$2,342.00
8912	CRS-MF-47	47.2" OAH	\$2,417.00
8913	CRS-MF-53	53.5" OAH	\$2,512.00

Note: The mobile base unit adds roughly 4.7" to the overall height.



Fixed Base (Steel Riser) with Fixed Height

Quick #	Part #	Description	Price
8930	CRS-FF-30	30.6" OAH	\$985.00
8931	CRS-FF-36	36.9" OAH	\$1,060.00
8932	CRS-FF-42	42.5" OAH	\$1,135.00
8933	CRS-FF-48	48.7" OAH	\$1,230.00

Optional Accessories

Quick #	Part #	Description	Price
8940	CRS-CBM-UR	UR Control Box Mount for Cobot Stand	\$34.00
8941	CRS-TPH-UR	UR Teach Pendant Hanger w/ Adj. Tilt Angle	\$99.00
8942	CRS-CM-1	Cobot Stand Cable Management (x2)	\$39.00

*Teach pendant hanger includes bracket for older model (CB-Series) UR Teach Pendant

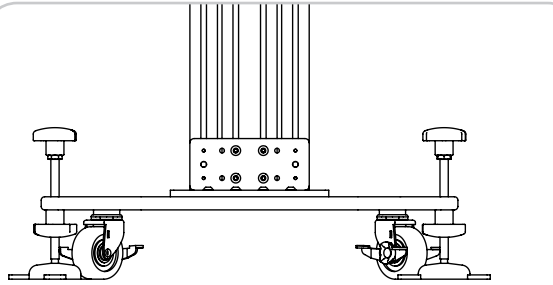
Robot Information:

Robot Make: _____ Robot Model: _____

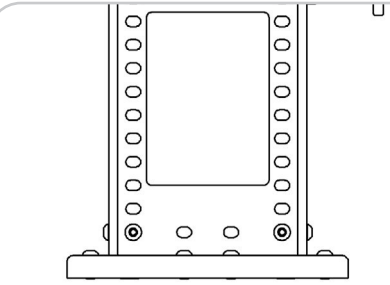
Robot Payload (kg/lbs): _____

Pedestal Specifications:

1. Base Selection: Both options below will accept 1/2" floor anchors



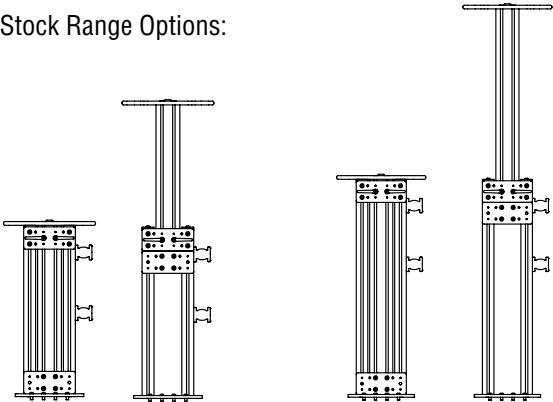
Mobile – Heavy base with castors and leveling pads with anchor feet. Mobile base adds 4.7" to the total pedestal height.



Fixed – Bolt directly to the floor

2. Riser Options: Telescoping Adjustable Height Riser (Aluminum Extrusion Frame):

Stock Range Options:

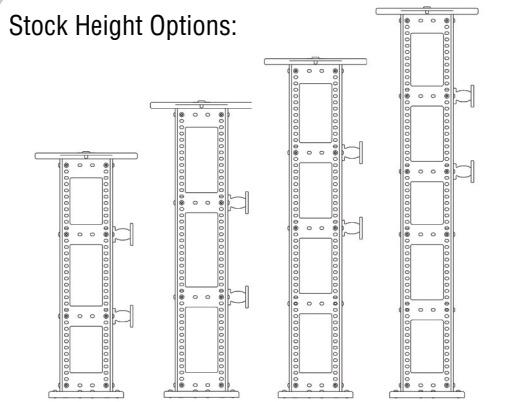


23"–39" (16" Stroke) 30"–54" (24" Stroke)

*Custom Range: _____

Fixed Height Riser (Steel Frame):

Stock Height Options:



30" 36" 42" 48"

*Custom Height: _____

**Custom Parameter – Cobot stands with custom specifications are built to order and may require 2–3 weeks for manufacturing.*

3. Finish: Select the finish of the cobot stand:

Stock Finish: Matte Black Powder Coat Custom Powder Coat (Specify Color, RAL): _____

4. Robot Controller Box Hanger: Universal Robots N/A Custom: _____

5. Teach Pendant Hanger: Universal Robots N/A Custom: _____

Company Name: _____ Contact: _____

Address: _____ City: _____ State: _____ Zip: _____

Phone: _____ Email: _____