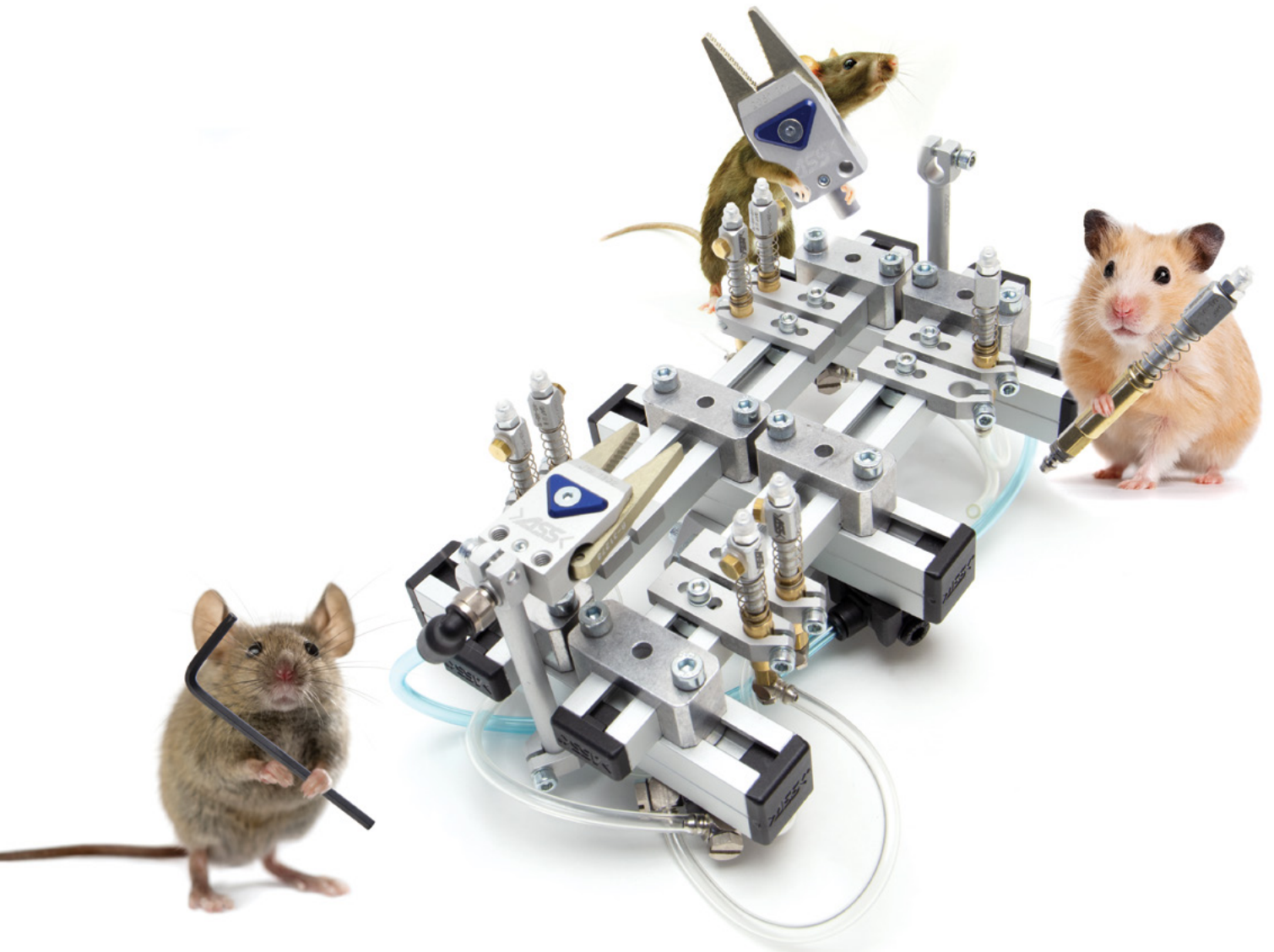


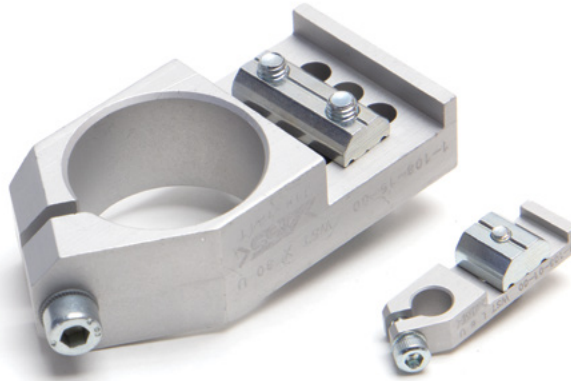
EMI[®]

EOAT FOR MICE



**>ASS< Ø6mm Micro Framing
and Components for Small EOAT's**

>ASS< Micro Series Introduction



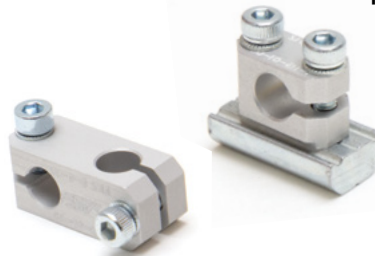
The New >ASS< Micro Series

With a clamping diameter of 6 millimeters, the >ASS< Micro EOAT System is significantly smaller and lighter than the smallest system to date.

With this new system it is now possible to handle even smallest components simply and cleanly in the tightest of spaces.

Cross Connectors

p.2



Angle Arms

p.2



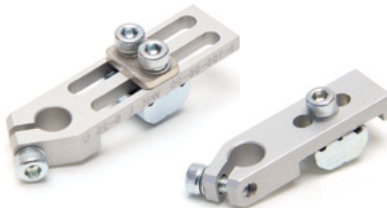
Gripper Arms

p.3



Angle Clamps

p.3



Joint Connectors

p.4



Threaded Angle Connectors

p.5



Suspensions

p.5



Vacuum Cups

p.6



Sprue Grippers

p.8



Quick Changers

p.10



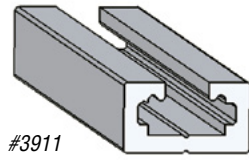
Fittings and Adaptors

p.16

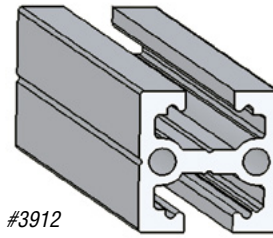
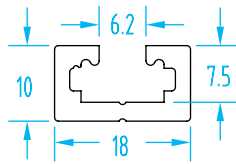


>ASS< is a registered trademark of >ASS< End of Arm Tooling, Inc.

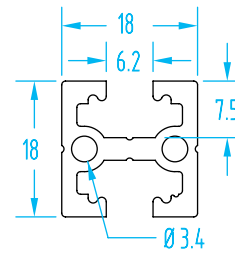
Profile & Accessories



#3911



#3912



L (Light) Aluminum Profile

Quick#	Part#	>ASS< #	Price	Slots	Size	Length	Wt.
3911	L-18/10-1M	1-051-21-00	\$6.00	1	18x10mm	1 meter	247g
3912	L-18/18-1M	1-051-46-00	\$9.50	2	18x18mm	1 meter	852g

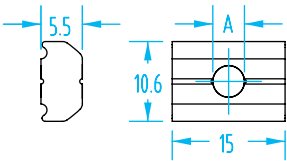
Profile End Cap

Quick#	Part#	>ASS< #	Price	Wt.	Use with:
3543	ADK-L-18-10	1-190-20-00	\$1.00	1g	L-18/10 Q#3911
3699	ADK-L-18-18	1-190-22-00	\$1.00	1g	L-18/18 Q#3912



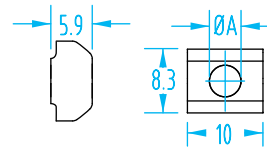
#3543

#3699



#3029

#3030



#3032

Slotted Channel Nuts (Steel / zinc coated)

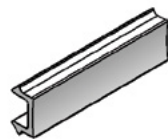
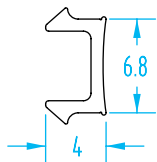
Quick#	Part#	>ASS< #	Price	ØA	Wt.
3846	GWP-3-U	1-058-31-15	\$2.00	M3	5g
3029	GWP4L/X	1-058-41-15	\$2.00	M4	5.3g
3030	GWP5X	1-058-51-15	\$2.00	M5	5g

Additional sizes including double slotted nuts are available at EMlcorp.com

Drop-In Channel Nuts (Steel chromated)

Quick#	Part#	>ASS< #	Price	ØA	Wt.
3853	GWP-EX3-U	1-056-32-01	\$2.00	M3	2g
3854	GWP-EX4-U	1-056-42-01	\$2.00	M4	2g
3032	GWP-EX5-U	1-056-52-01	\$3.50	M5	2g

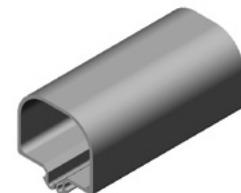
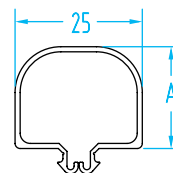
Drop-in & rotate 90° when you need to add to an already assembled EOAT.



Plastic Profile Channel Cover

Quick#	Part#	>ASS< #	Price	Length
3698	ADP-1000	1-090-11-00	\$6.00	1 meter

ADP channel covers snap into and close the profile channel.



Plastic Tube & Wire Channel

Quick#	Part#	>ASS< #	Price	A	Length
3652	KKP-25-20	1-090-13-00	\$5.50	20	1 meter
3653	KKP-25-35	1-090-16-00	\$7.50	35	1 meter

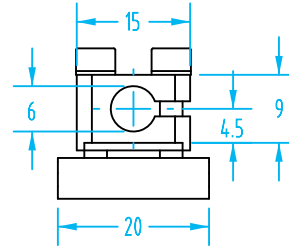
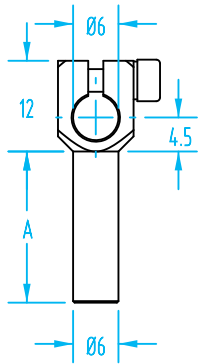
KKP channel covers snap into the profile channel to route tubing and wires.

Micro Series Framing Components

(Dimensioned drawings shown full scale)



#3787

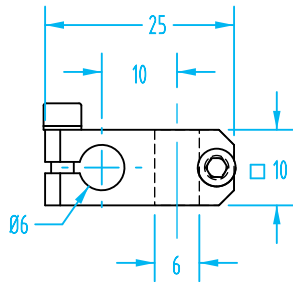


Micro Series Angle Arm

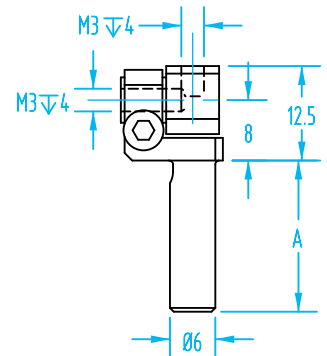
Quick#	Part#	>ASS< #	Price	A	Wt.
3787	WKA6-20	1-320-63-00	\$12.50	20	3g
3788	WKA6-40	1-320-66-00	\$13.00	40	4g
3789	WKA6-60	1-320-69-00	\$14.00	60	6g

Micro Series Cross Connector

Quick#	Part#	>ASS< #	Price	Wt.
3780	KVB6L	1-115-01-00	\$8.50	11g



#3795



Micro Series Round Cross Connector

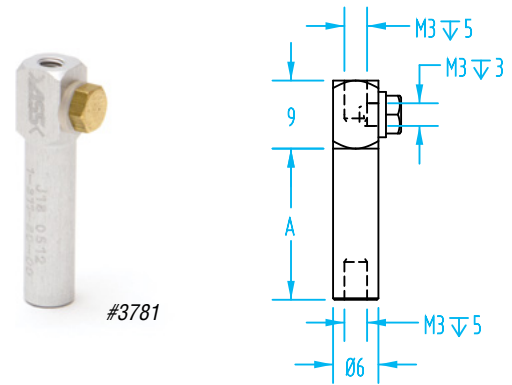
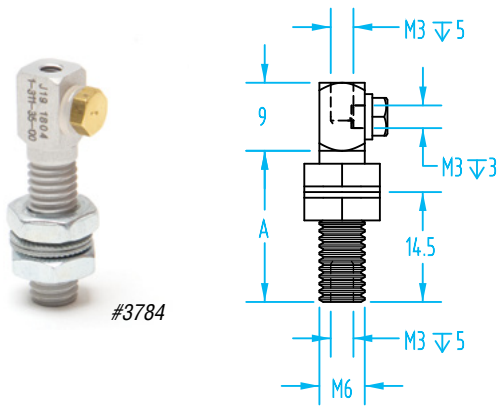
Quick#	Part#	>ASS< #	Price	Wt.
3779	KKS6L	1-115-39-00	\$11.50	6g

Micro Series Swivel Gripper Arm

Quick#	Part#	>ASS< #	Price	A	Wt.
3795	GGE6-20	1-315-00-00	\$18.00	20	4g
3796	GGE6-40	1-315-01-00	\$19.00	40	6g
3797	GGE6-60	1-315-02-00	\$20.00	60	8g

Micro Series Framing Components

(Dimensioned drawings shown full scale)



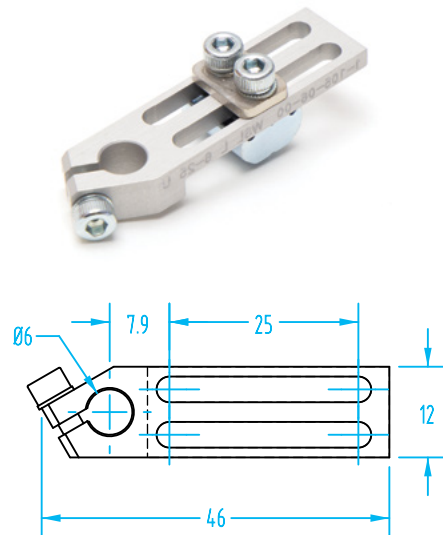
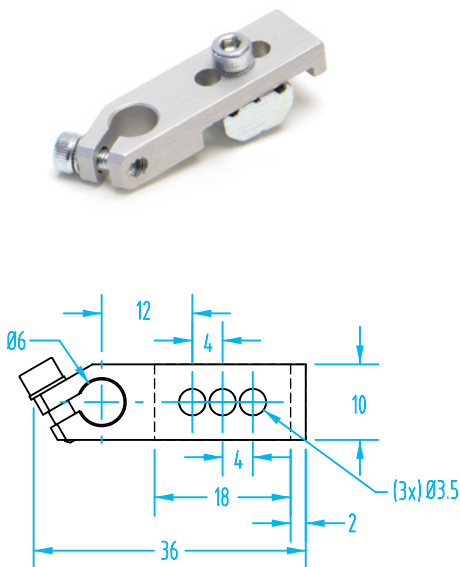
Threaded Micro Series Gripper Arm

Quick#	Part#	>ASS< #	Price	A	Wt.
3784	GSE-U-6-M6-M3-20	1-311-35-00	\$12.50	20	5g
3785	GSE-U-6-M6-M3-40	1-311-36-00	\$13.00	40	6g
3786	GSE-U-6-M6-M3-60	1-311-37-00	\$14.00	60	7g

Clampable Micro Series Gripper Arm

Quick#	Part#	>ASS< #	Price	A	Wt.
3781	GSE-U-6-M3-M3-20	1-311-30-00	\$12.00	20	3g
3782	GSE-U-6-M3-M3-40	1-311-31-00	\$12.50	40	4g
3783	GSE-U-6-M3-M3-60	1-311-32-00	\$13.00	60	6g

- See pages 6–7 for Mini Vacuum Cups and M3 Fittings



Micro Series Angle Clamp

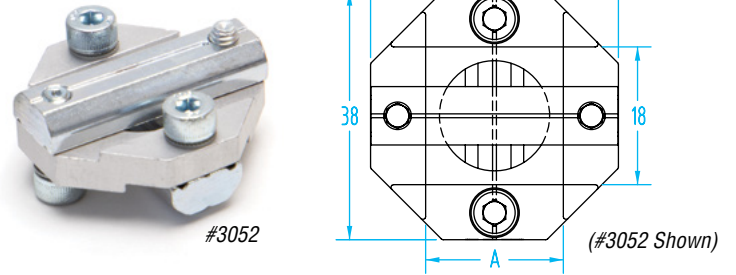
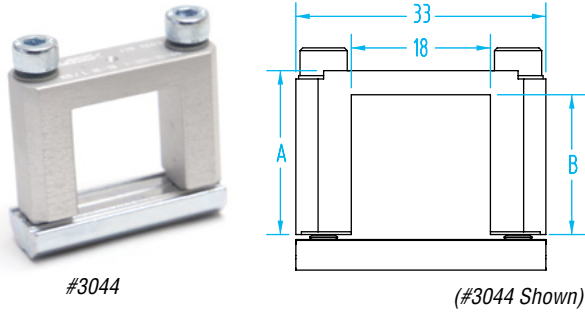
Quick#	Part#	>ASS< #	Price	Wt.
3778	WST6L	1-103-01-00	\$9.50	7g

Micro Series Long Angle Clamp

Quick#	Part#	>ASS< #	Price	Wt.
3798	WSL6L	1-105-06-00	\$13.00	11g

Micro Series Framing Components

(Dimensioned drawings shown full scale)

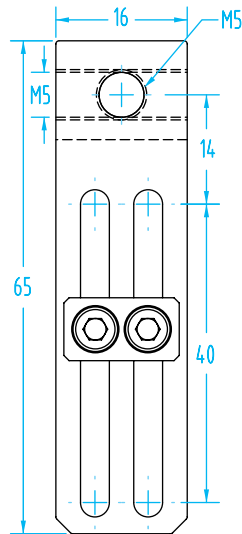
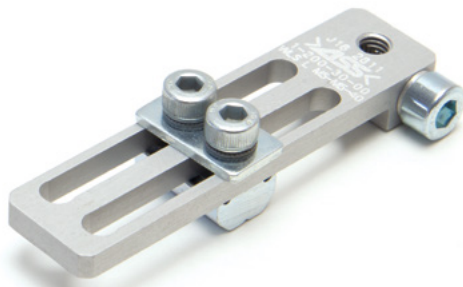


Square Joint Connector

Quick#	Part#	>ASS< #	Price	A	B	Wt.
3043	KBV10/18L	1-120-05-00	\$15.50	15	10	23g
3044	KBV18/18L	1-120-10-00	\$16.50	23	18	28g

Cross Joint Connector

Quick#	Part#	>ASS< #	Price	A	B	Wt.
3052	KPL18-18L	1-120-55-00	\$20.00	18	38	37g
3692	KPL25X-L18	1-120-57-00	\$26.00	25	45	61g



Threaded Long Angle Connector

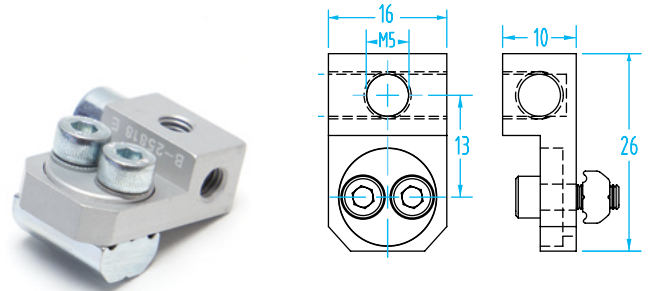
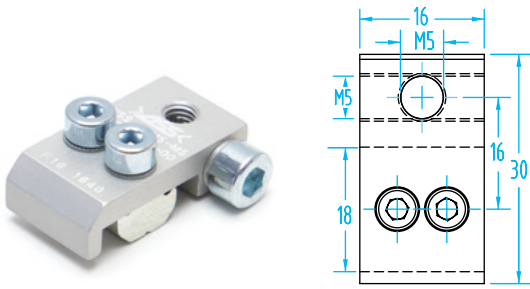
Quick#	Part#	>ASS< #	Price	Wt.
3085	WLSM5L/X	1-200-30-00	\$13.00	21g

Reducing Bushing

Quick#	Part#	Female	Male	Price
227	GSF-RB-M5M3	M3	M5	\$4.22

Micro Series Framing Components

(Dimensioned drawings shown full scale)



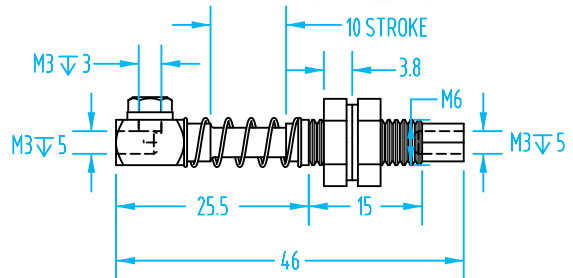
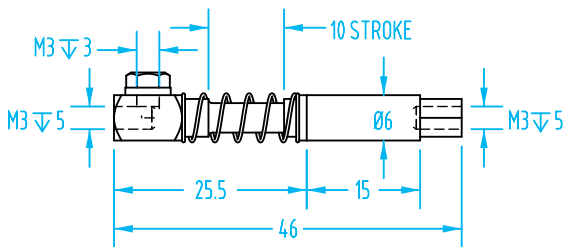
Threaded Angle Connector

Quick#	Part#	>ASS< #	Price	Wt.
3081	WSSM5L	1-200-05-00	\$12.00	17g

Adjustable Angle Connector 360°

Quick#	Part#	>ASS< #	Price	Wt.
3089	WSDM5L/X	1-200-55-00	\$14.50	18g

- Use adaptor Q#227 to convert M5 to M3, see page 4



Micro Series Clampable Suspension

Quick#	Part#	>ASS< #	Price	Wt.
3790	GAF6-U-10	1-355-01-00	\$22.50	6g

Micro Series Threaded Suspension

Quick#	Part#	>ASS< #	Price	Wt.
3791	GAF6-M-10	1-355-02-00	\$23.50	9g

- See pages 6–7 for Mini Vacuum Cups and M3 Fittings
- For rotationally symmetrical vacuum cups. (Do not use with Oval cups)

Mini Flat Vacuum Cups

(Dimensioned drawings shown full scale)

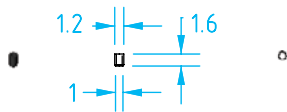
This is a selection of Micro Series mini cups with M3 fittings. In total, EMI offers over 700 different EOAT vacuum cups, all available online. Our engineers are experts in vacuum cup automation and are happy to answer any questions to help you select the option that is right for your application.

Vacuum Cup Properties

Material	Color	Max Temp.	Durometer
Hithane	Blue	320°F	55°
Nitrile	Black	248°F	55°
Silicone	Clear	482°F	55°
Anti-Static Silicone	Red	392°F	50°
Viton (FKM)	Black	446°F	65°

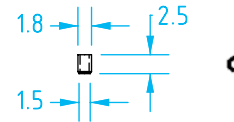
Nipple dimensional drawings are found on page 19.

1mm



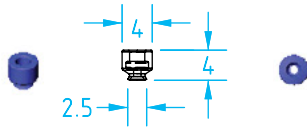
Quick#	Part#	Material	Price
5452	VN1-1-N	Nitrile	\$7.80
5453	VN1-1-S	Silicone	\$8.30
Nipples - Order Separately			
5463	GSF-MN1-M3	Male M3	\$5.32

1.5mm



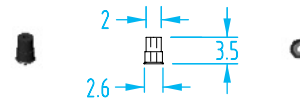
Quick#	Part#	Material	Price
5454	VN1-1.5-N	Nitrile	\$7.80
5455	VN1-1.5-S	Silicone	\$8.33
Nipples - Order Separately			
5464	GSF-MN15-M3	Male M3	\$5.32

2.5mm



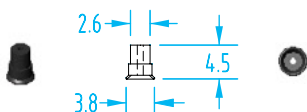
Quick#	Part#	Material	Price
3187	VN1-2-S	Silicone	\$3.42
3186	VN1-2-N	Nitrile	\$2.50
1161	VN1-2-H	Hithane	\$8.10
1241	GSV-MFA-2	Anti-Static Silicone	\$6.00
Nipples - Order Separately			
1267	GSF-N17-M3M	Male M3	\$3.67

2.5mm



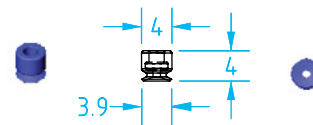
Quick#	Part#	Material	Price
5091	GSV-U2-25	Anti-Static Silicone	\$7.91
Nipples - Order Separately			
5464	GSF-MN15-M3	Male M3	\$5.32

3.5mm



Quick#	Part#	Material	Price
5092	GSV-U3-25	Anti-Static Silicone	\$9.22
Nipples - Order Separately			
5464	GSF-MN15-M3	Male M3	\$5.32

3.5mm

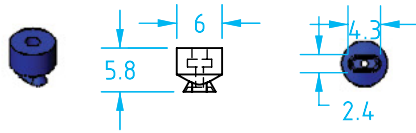


Quick#	Part#	Material	Price
3189	VN1-3.5-N	Nitrile	\$2.50
3190	VN1-3.5-S	Silicone	\$3.50
1162	VN1-3.5-H	Hithane	\$8.10
5457	VN1-3.5-V	Viton	\$29.40
1244	GSV-MFA-35	Anti-Static Silicone	\$5.80
Nipples - Order Separately			
1267	GSF-N17-M3M	Male M3	\$3.67

Mini Vacuum Cups

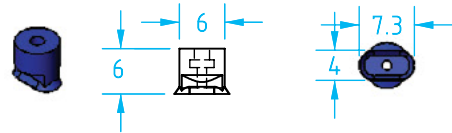
(Dimensioned drawings shown full scale)

Oval 2x4mm



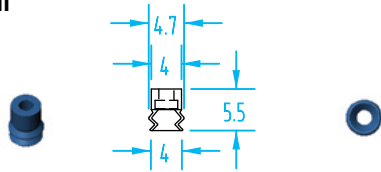
Quick#	Part#	Material	Price
5416	GSV-OHT-24	Hithane	\$9.50
Nipples - Order Separately			
3285	VSA5	Male M3	\$5.80

Oval 3.5x7mm



Quick#	Part#	Material	Price
5417	GSV-OHT-357	Hithane	\$9.64
Nipples - Order Separately			
3285	VSA5	Male M3	\$5.80

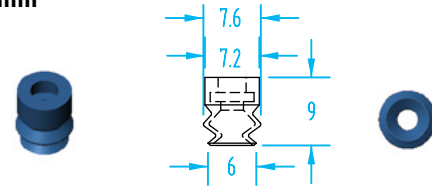
4mm



Quick#	Part#	Material	Price
3855	VN2-4-N	Nitrile	\$7.00
3856	VN2-4-S	Silicone	\$7.50
3857	VN2-4-H	Hithane	\$9.00
Nipples - Order Separately			
3871	GSF-VSA-5	Male M3	\$3.00

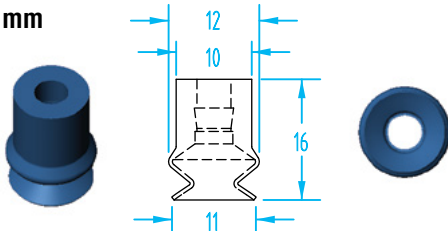
Mini 1.5 Bellow Vacuum Cups

6mm



Quick#	Part#	Material	Price
3858	VN2-6-N	Nitrile	\$5.00
3859	VN2-6-S	Silicone	\$5.00
3860	VN2-6-H	Hithane	\$7.00
Nipples - Order Separately			
3870	GSF-VSA-4	Male M3	\$5.00

11mm



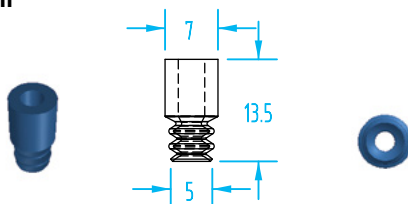
Quick#	Part#	Material	Price
3861	VN2-11-N	Nitrile	\$4.50
3862	VN2-11-S	Silicone	\$5.00
3863	VN2-11-H	Hithane	\$6.50
Nipples - Order Separately			
3872	GSF-VSA-16	Male M3	\$5.00

Quickly search over 700 Cups Online!

- Narrow your search by: cup diameter, style, material, and brand.
- Find dimensional drawings, technical specifications, and CAD files.
- Corresponding nipples are listed on the page with vacuum cups.

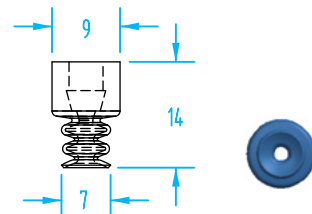
Mini 2.5 Bellow Vacuum Cups

5mm



Quick#	Part#	Material	Price
3864	GSV-M2BN-5	Nitrile	\$2.50
3865	GSV-M2BS-5	Silicone	\$3.50
3866	GSV-M2BH-5	Hithane	\$7.00
Nipples - Order Separately			
3873	GSF-VSA-17	Male M3	\$4.50

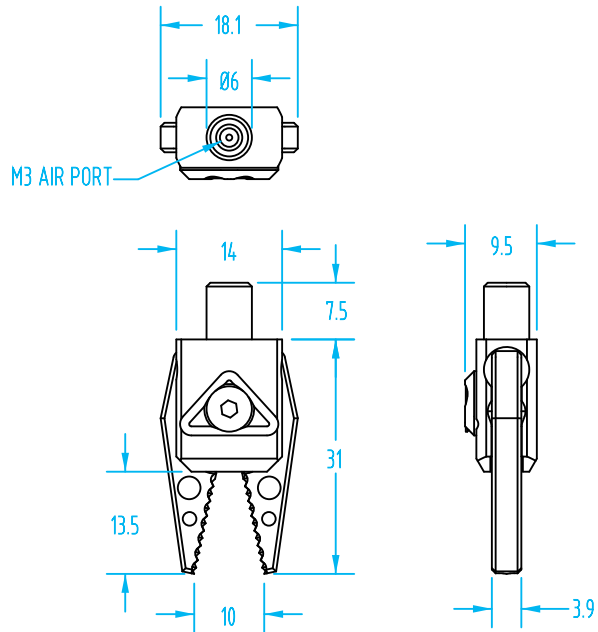
7mm



Quick#	Part#	Material	Price
3867	GSV-M2BN-7	Nitrile	\$2.50
3868	GSV-M2BS-7	Silicone	\$3.50
3869	GSV-M2BH-7	Hithane	\$4.50
Nipples - Order Separately			
3872	GSF-VSA-16	Male M3	\$5.00

Micro Series GRZ 06-06 Sprue Gripper

(Dimensioned drawings shown full scale)

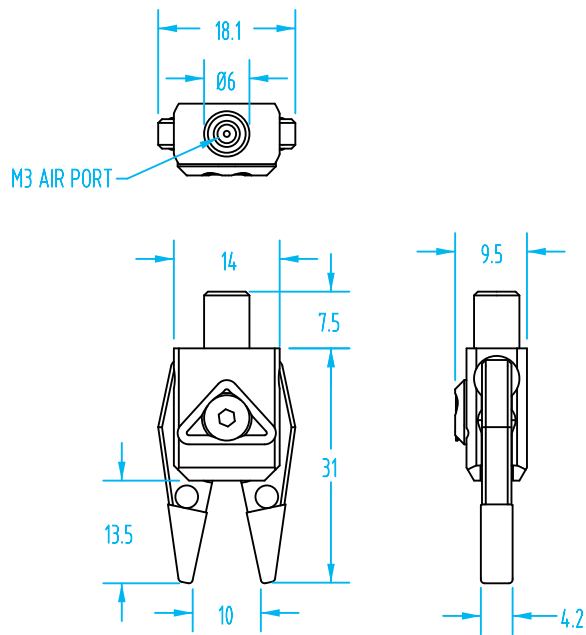


- Single acting
- Very lightweight and compact design.
- #3794 with soft EP coating, Shore 60.
- M3 fittings on page 18.

Micro Series GRZ Gripper

Quick#	Part#	>ASS< #	Closing Force*	Price	Wt.
3792	GRZ-06-06	1-406-00-00	6N / 1.34 lbf	\$87.50	6.5g

*Closing force measured at point of jaws at 87psi (6bar), do not exceed.



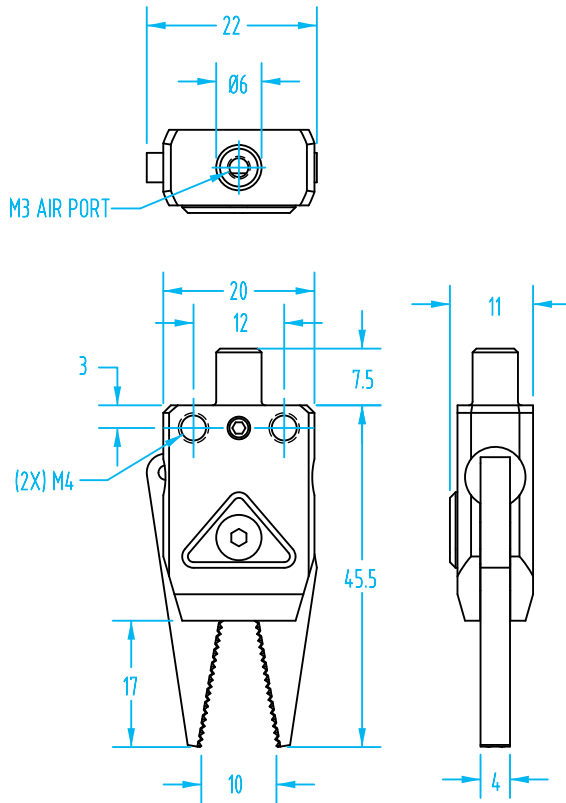
Micro Series GRZ Gripper

Quick#	Part#	>ASS< #	Closing Force*	Price	Wt.
3794	GRZ-06-06-EP	1-406-02-00	6N / 1.34 lbf	\$144.50	6.5g

*Closing force measured at point of jaws at 87psi (6bar), do not exceed.

Micro Series GRZ 06-08 Sprue Gripper

(Dimensioned drawings shown full scale)



- Single acting
- Very lightweight and compact design.
- Ideal when a higher closing force is required for small EOAT's.
- Optional sensor clamp Quick# 3679.



Micro Series GRZ Gripper

Quick#	Part#	>ASS< #	Closing Force*	Price	Wt.
3793	GRZ-06-08	1-408-01-00	19N / 4.27 lbf	\$106.50	15g

*Closing force measured at point of jaws at 87psi (6bar), do not exceed.

Optional Sensor Clamp

Quick#	Part#	>ASS< #	Price	Wt.
3679	SH-GRZ-10-08	1-408-80-00	\$7.50	2g

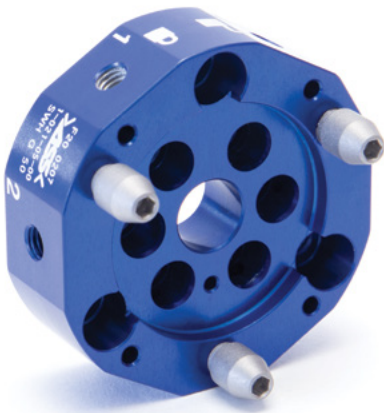


Optional Magneto-resistive Sensor

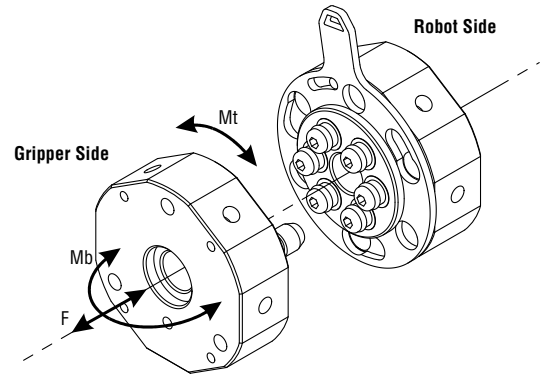
Quick#	Part#	Description	Price
3809	MFS-T2-3-7	PNP 4-Wire with M8 Connection	\$69.00

>ASS< Round Size 50 Quick Changer

(Dimensioned drawing shown full scale)



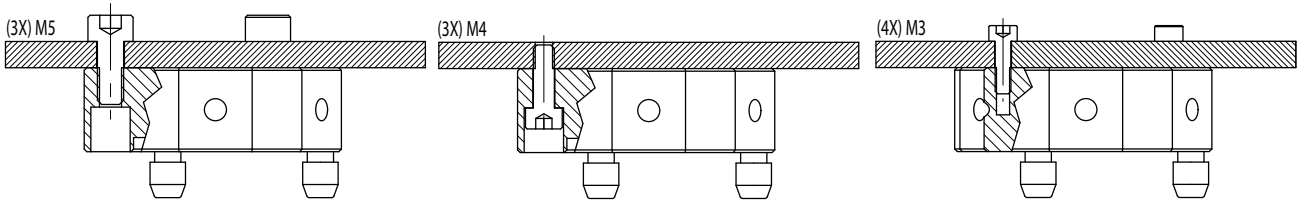
#3816 - Small EOAT Side Quick Changer



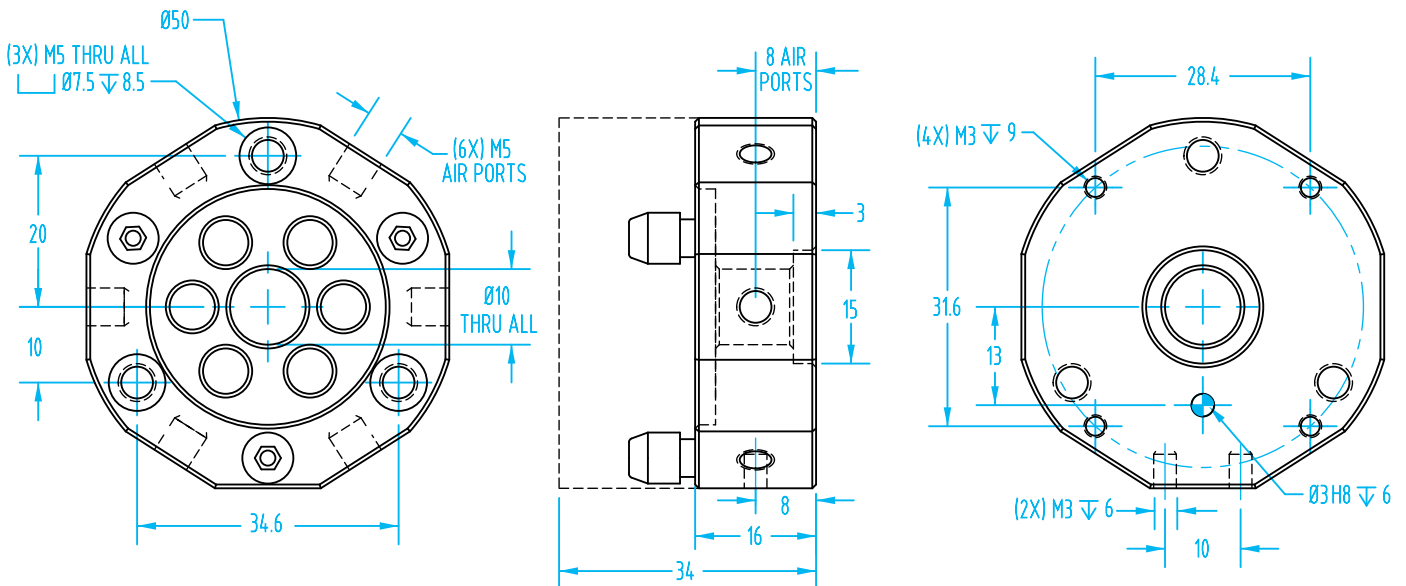
Specifications for Small Size Quick Changer		
Weight	Robot Side	68g
	EOAT Side	95g
Maximum Air Pressure	6 bar (87psi)	
Air Ports	(6X) M5	
Electrical Connector	Optional - Adapter needed	
Safety Loads:		
F	Mt	Mb
34 lbs.	14.7 ft-lbs.	7.3 ft-lbs.

- For EOATs that are typically mounted on sprue pickers, tabletop SCARA robots, cobots, or used on IMMs sized up to 100 tons.
- This will generally handle EOATs weighing up to 11 lbs.
- Please consult with EOAT engineering for proper sizing to your application needs.

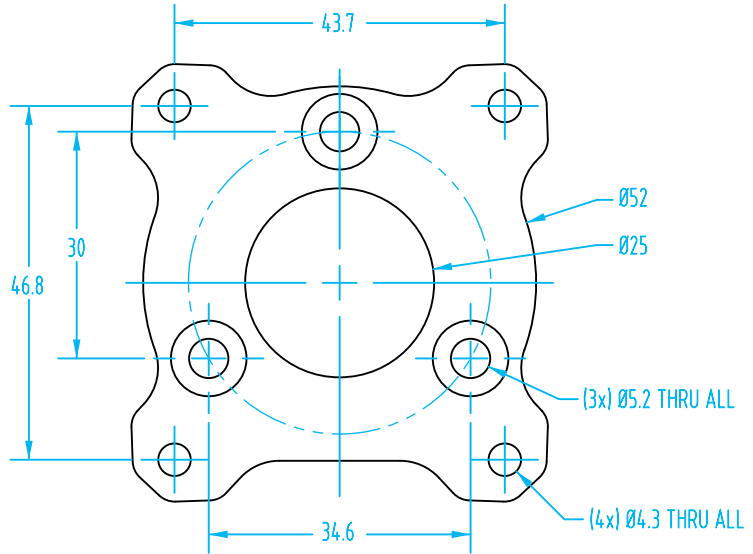
EOAT-Side Mounting Options



The EOAT-side quick changer can be mounted three ways: 1. Use threaded M5 holes in the quick changer, and use 5.3mm thru holes in your robot tooling plate. 2. Use the threaded M5 holes as 4.2mm thru holes. Tap M4 threaded holes in your robot tooling plate. 3. Use threaded M3 holes in the quick changer, and use 3.4mm thru holes in your robot tooling plate.



Quick Changer Accessories

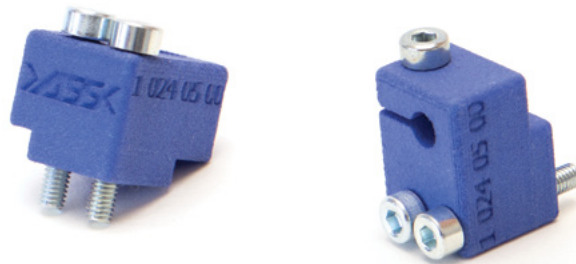


- For Size 50 Quick Changer SWH-50.
- Thin-plate aluminum interface to mount EOAT side quick changer to profile.
- Fasteners and mounting screws are included.
- Sensor bracket mounts on gripper side of QC
- Sensor signals when QC lock is engaged.

Size 50mm Quick Changer Interface

Quick#	Part#	>ASS< #	Price	Wt.
3833	GP-SWH-G-50	1-023-05-00	\$21.00	54g

- Sensor bracket mounts on gripper side of QC
- Sensor signals when QC lock is engaged.



Sensor Bracket for Quick Changers

Quick#	Part#	>ASS< #	Description	Price
3843	SWH-SH-G-50	1-024-05-00	Sensor Bracket for Small Size QC	\$24.00

Inductive Sensors

Quick#	Part#	Description	Price
2429	GSG-IS-NPN	NPN Ø4mm N.O. Inductive Sensor, 2m long	\$58.50
2430	GSG-IS-PNP	PNP Ø4mm N.O. Inductive Sensor, 2m long	\$58.50

Quick Changer Accessories



Electrical Connector Adaptor

Quick#	Part#	>ASS< #	Description	Price
3836	SWH-DS-50	1-025-05-00	For Size 50 SWH Quick Changers	\$21.50



#503 - EOAT-Side

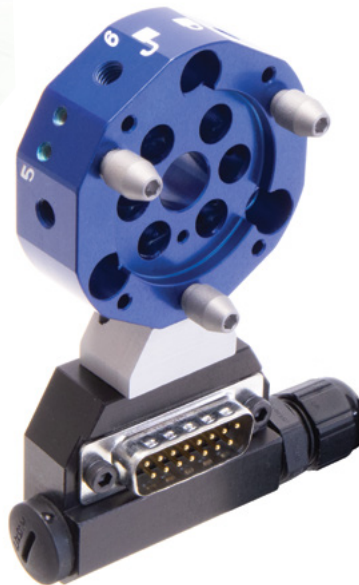


#502 - Robot-Side

Low-Profile Electrical Connectors

Quick#	Part#	Description	Price
503	WGS-QLEKGD	EOAT Side	\$81.00
502	WGS-QLEKRD	Robot Side	\$81.00

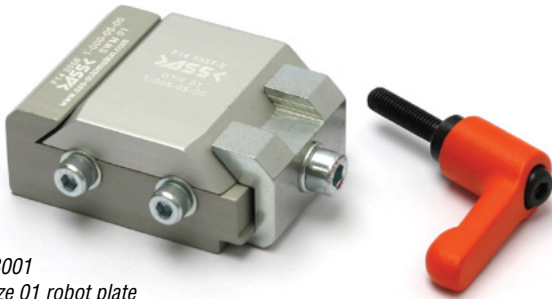
Each supplied with 500mm long cable



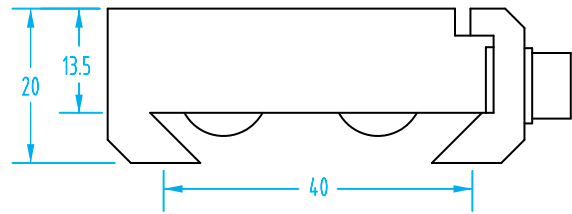
Quick Changers with spacer and electrical connector, shown without cable.

>ASS< Dovetail Quick Changer

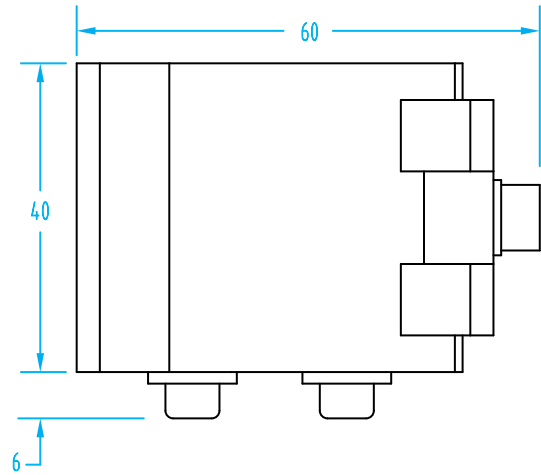
(Dimensioned drawing shown full scale)



#3001
Size 01 robot plate



- Two Mounting Plates included with Quick# 3001.
- See page 17 for quick disconnect nipples.

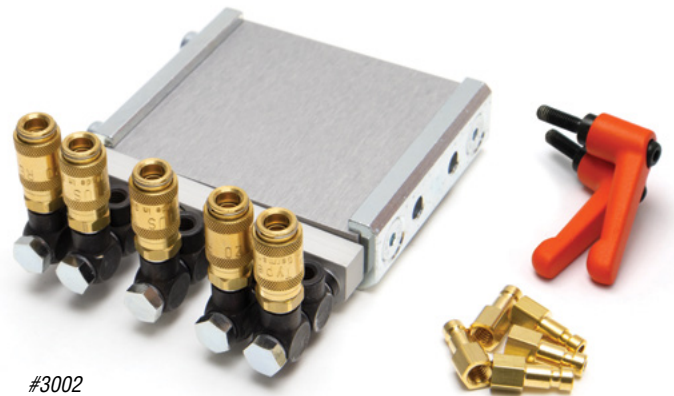
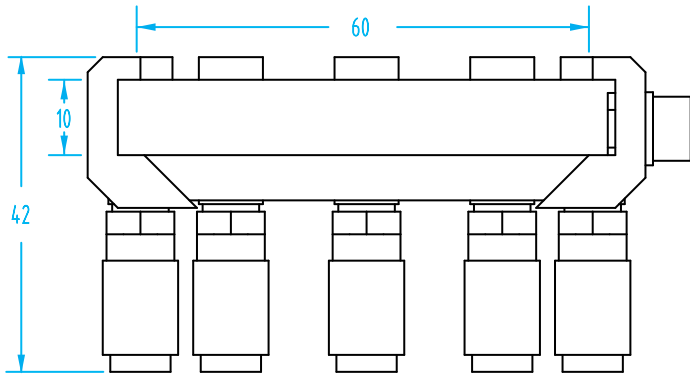


Robot Plate (with fittings)

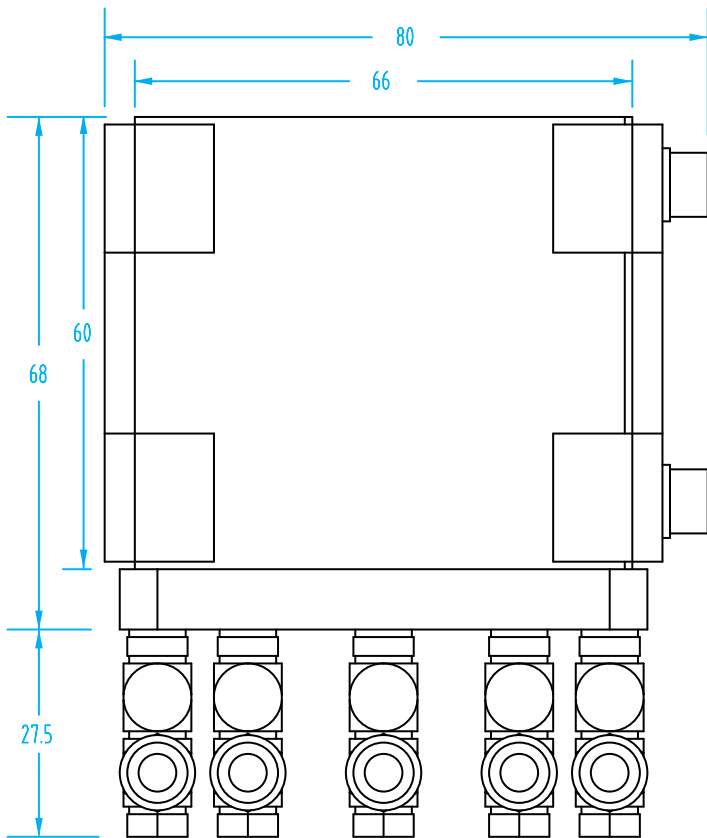
Quick#	Part#	>ASS< #	Price	Wt.
3001	SWMGR-01	1-000-05-00	\$272.00	110g

>ASS< Dovetail Quick Changer

(Dimensioned drawing shown full scale)



#3002
Size 0 robot plate



- Order EOAT mounting plate separately for Quick# 3002 & 3545, see page 16.
- Quick # 3002 includes a set of five (5) M5 STN plug-in nipples (pictured).
- See page 17 for additional quick disconnect nipples.



#3545
Size 0 robot plate

Note: Dimensional drawing shown with fittings.

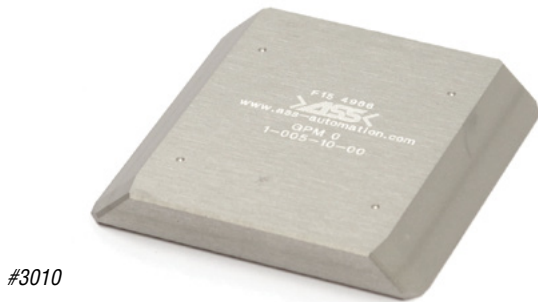
Robot Plate

Quick#	Part#	>ASS< #	Price	Description	Wt.
3002	SWMGR-0	1-000-10-00	\$340.00	With Fittings	362g
3545	SWM-0-OSK	1-000-40-00	\$287.00	Without Fittings	362g

Use Quick#s for easy online ordering.

EOAT Quick Changer Mounting Plate

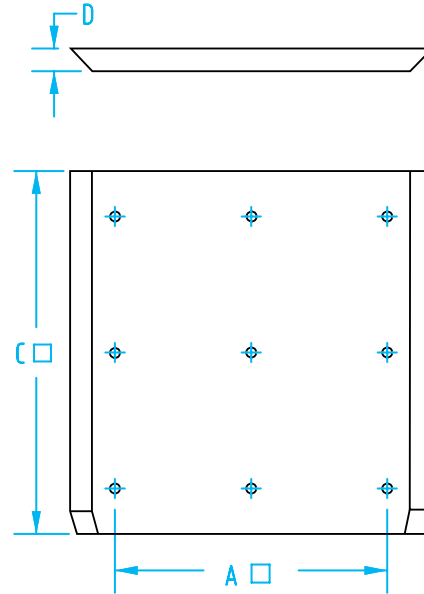
(Dimensioned drawing shown full scale)



#3010



#3011



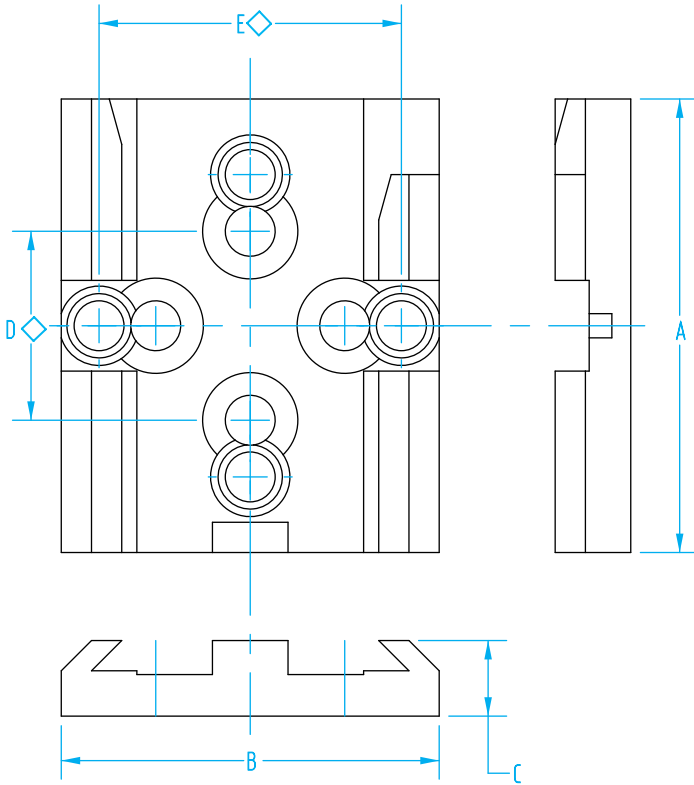
EOAT Side Plate

Quick#	Part#	>ASS< #	Price	A	C	D	Wt.	Profile	Description
3009	GPMGR-01	1-005-05-00	\$11.00	-	40	8	29g	ANY	Solid plate for Size 01
3010	GPMGR-0	1-005-10-00	\$13.50	35	60	8	68g	ANY	Pre-located center-punched holes for Size 0
3011	GPMGR-0M	1-005-15-00	\$17.50	35	60	8	71g	L	With M4 tapped threads for Size 0

Use Quick#s for easy online ordering.



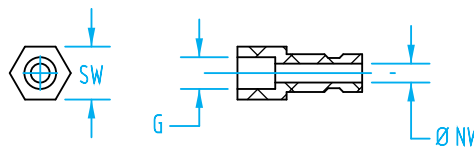
Mounting Plate Accessories



Aluminum EOAT Holding Bracket (For wall mounting and storage of EOATs)

Quick#	Part#	>ASS< #	Price	A	B	C	D	E	Use with EOAT plate:	Profile Mount:
3024	GHVGR-01	1-006-03-00	\$45.50	60	50	10	25	40	Size 01 (Q# 3009)	X 50/25
3025	GHVGR-0	1-006-06-00	\$57.00	60	70	10	25	40	Size 0 (Q# 3010, 3011)	X 50/25

Note: Complete with mounting hardware.



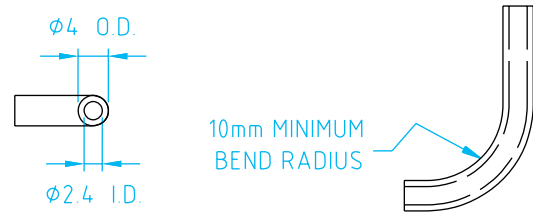
STN Plug-In Nipples (Brass)

Quick#	Part#	>ASS< #	Price	G	ØNW	SW	Wt.
3006	STNM5	1-862-10-00	\$2.00	M5	2.5	7	3g

Polyurethane Tubing and Fittings

4mm Polyurethane Tube for Push-In Fittings - Sold in 25' Coils

Quick#	Part#	øOD	øID	Color	Min. Radius	Price
957	GSU-PC-0424	4	2.4	Clear	10mm	\$5.68
960	GSU-PB-0424	4	2.4	Blue	10mm	\$5.68
966	GSU-PR-0424	4	2.4	Red	10mm	\$5.68



4mm Soft Polyurethane Tube for Barbed Fittings - Sold in 25' Coils

Quick#	Part#	øOD	øID	Color	Min. Radius	Price
951	GSU-SC-0424	4	2.4	Clear	10mm	\$30.63
954	GSU-SB-0424	4	2.4	Blue	10mm	\$30.63

Threaded Push-In Fitting for 4mm Tubing

Quick#	Part#	Thread	Price	Wt.
101	GSF-QMC-M304	M3	\$3.55	3g
102	GSF-QMC-M504	M5	\$3.10	3g



Threaded Push-In Elbow Fitting for 4mm Tubing

Quick#	Part#	Thread	Price
117	GSF-QME-M304	M3	\$4.90
118	GSF-QME-M504	M5	\$3.30



M3 Threaded Push-In T Fitting for 4mm Tubing

Quick#	Part#	Price	Wt.
141	GSF-QBT-M304	\$6.27	3g



M5 to M3 Mounting Adaptor

Quick#	Part#	>ASS< #	Price
3299	AVI5i-8-3	1-290-75-00	\$7.00



M3 Barb Straight Fitting

Quick#	Part#	Stem øOD	Tube øID	Price
256	GSF-BS-M304	2.7	2.4	\$1.29



Male to Male Fitting

Quick#	Part#	Male	Male	Price
245	GSF-N-M3	M3	M3	\$3.33



M3 Barb Elbow Fitting

Quick#	Part#	Stem øOD	Tube øID	Price
264	GSF-BE-M304	2.7	2.4	\$3.33



Reducing Bushings

Quick#	Part#	Female	Male	Price
227	GSF-RB-M5M3	M3	M5	\$4.22



M3 Barb T Swivel Fitting

Quick#	Part#	Stem øOD	Tube øID	Price
272	GSF-BTS-M303	2.9	2.4	\$9.22



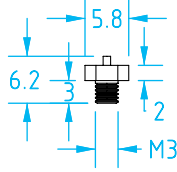
Manifold Block

Quick#	Part#	>ASS< #	Price	Ports	Wt.
3418	LVTM5X	1-230-40-00	\$12.00	M5 (x5)	8g

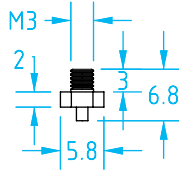


Vacuum Cup Nipples

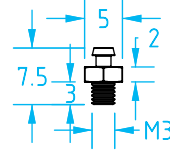
Vacuum Cup Nipples (Referenced on pages 6-7)



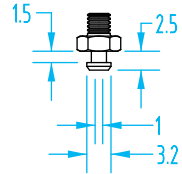
#5463



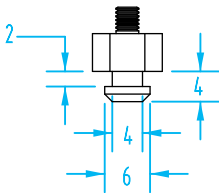
#5464



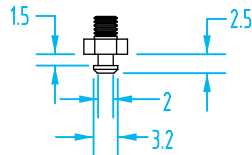
#1267



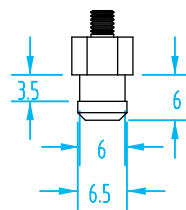
#3285



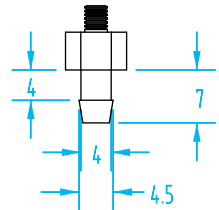
#3870



#3871



#3872



#3873

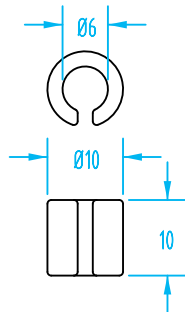
Male M3 Nipples

Quick#	Part#	>ASS< #	Price
5463	GSF-MN1-M3	-	\$5.32
5464	GSF-MN15-M3	-	\$5.32
1267	GSF-N17-M3M	-	\$3.67
3285	VSA5	-	\$5.80
3870	GSF-VSA-4	1-290-04-00	\$5.00
3871	GSF-VSA-5	1-290-05-00	\$3.00
3872	GSF-VSA-16	1-290-16-00	\$5.00
3873	GSF-VSA-17	1-290-17-00	\$4.50

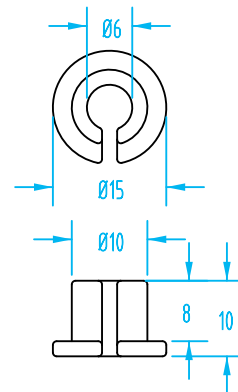
Mounting Adaptors



#3800



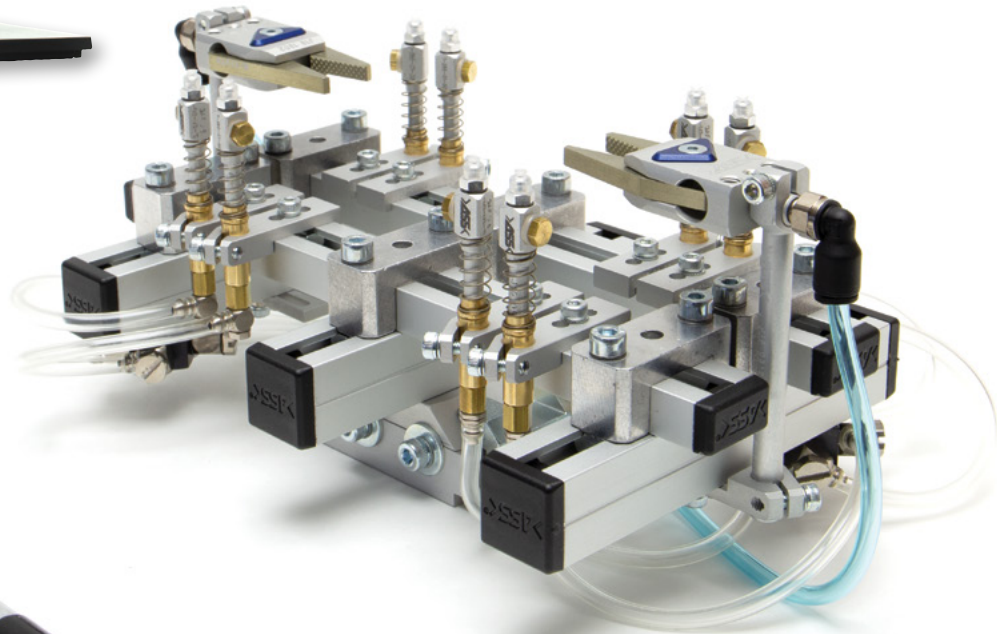
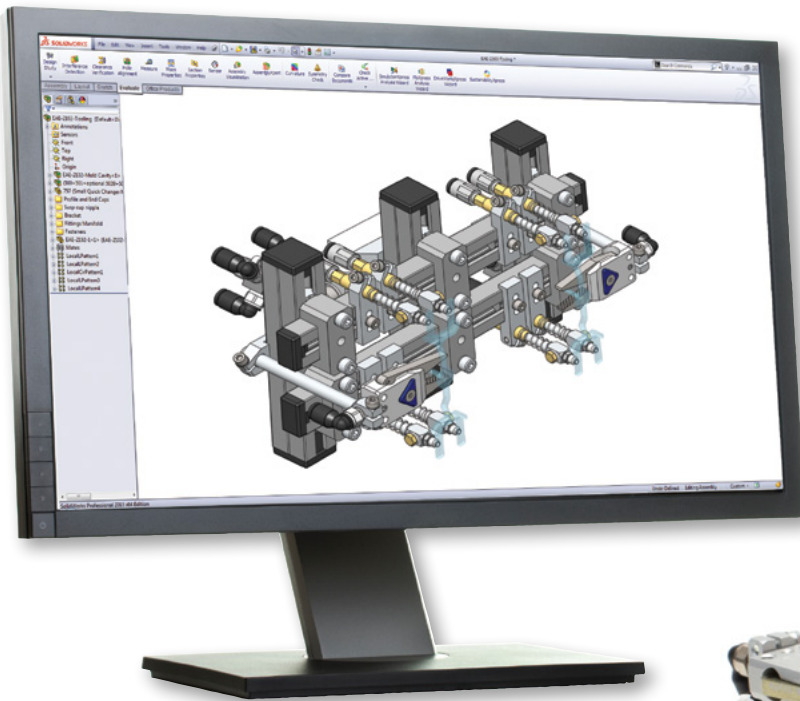
#3799



Reduction with Collar

Quick#	Part#	>ASS< #	Price	Wt.
3799	RMB-0610-10	1-116-00-16	\$4.50	<1g
3800	ROB-0610-10	1-116-00-17	\$3.50	<1g

EOAT Design Assistance



From the simplest to the most complex tooling, our EOAT engineers can design a tooling to suit your specific application.

Save time and money. Have EMI's experienced engineers design your End-of-Arm Tooling. You'll get 3D CAD renderings of the design at no cost or obligation. We'll also provide pricing for the tool should you want to purchase the EOAT from EMI either completely assembled or to build yourself.

Contact us at: EOATEngineering@EMICorp.com

Additional Mini Components

Mini Grippers



ID Micro Expansion Grippers



Gripper Fingers



TFA Mini Grippers



Clampable Mini-Cylinder



Aluminum Mini-Cylinder



Compact Cylinder



Mini Photo Eyes



Fiber Optic Sensors



3D Printing for EOAT

3D Printing Service from EMI

- 3D Printed Fingers
- 3D Printed Custom Manifolds
- 3D Printed Alignment Guides and Nests

Custom 3D printed gripper fingers from EMI are ideal for use on EOAT in plastics as well as on collaborative robot grippers. We've been designing 3D printed gripper fingers since 2013. Take advantage of EMI's experience and talk with an EMI engineer about custom designed and printed gripper fingers for your application. We think you'll find EMI's 3D printing is affordable and fast.

Contact us at: 3DPrinting@EMInc.com





Easy Online Ordering!

All Micro Series products listed in this catalog can be ordered online at EMIcorp.com. We have over 5,000 End of Arm Tooling components in-stock, ready to ship same-day.

Contact Us!

Sales@EMIcorp.com • 216-535-4848

EOAT FOAT for Cobots Molding Supplies Conveyors News Catalog & Reference Upload & Download Contact Us

Home > End-of-Arm Tooling > Micro Series

Ø6mm Micro Series Components

With a clamping diameter of 6 millimeters, the >ASS< Micro EOAT System is significantly smaller and lighter than the smallest system to date.

With this new system it is now possible to handle even smallest components simply and cleanly in the tightest of spaces.

Micro "L" Profile	Fittings and Adaptors	6mm Clamps	6mm Gripper Arms
6mm / M6 Suspensions	Mini Vacuum Cups	Micro Sprue Grippers	Quick Changers

Product Detail

3780 >ASS< Micro Series Cross Connector, Ø6mm

Micro Series compact design is used in small injection molding machine linear handling machines or other applications where space or weight is limited.

Item #: KVB6L
\$8.50 Each

Quantity:

Available: In Stock

Overview Dimensional Drawing

- 11g
- For L size profile
- Has the same allen screw size for clamping and channel nuts
- Reference: I-115-01-00

Related Items

3911 >ASS< Light Aluminum Profile	3912 >ASS< Light Aluminum Profile	3787 >ASS< Micro Series Angle Arm, 30mm-20mm long stud	3788 >ASS< Micro Series Angle Arm, 30mm-40mm long stud
The smallest profile for applications of up to 1 KG (2.2 lbs) part weight. It is compatible with all >ASS< channel nuts	The smallest profile for applications of up to 1 KG (2.2 lbs) part weight. It is compatible with all >ASS< channel nuts	Micro Series compact design is used in small injection molding machines, linear handling machines or other applications where space or weight is limited.	Micro Series compact design is used in small injection molding machines, linear handling machines or other applications where space or weight is limited.
Item #: I-15/10-1M \$6.00 Each	Item #: I-15/18-1M \$9.50 Each	Item #: WKAS 20 \$12.50 Each	Item #: WKAS 40 \$13.00 Each

EMI product detail pages include all the information you need: pricing, availability, dimensional drawings, related items, spare parts and more!



Sales & Design Engineering

Sales@EMIcorp.com
Phone: 216-535-4848

28300 Euclid Ave.
Wickliffe, Ohio 44092



Manufacturing & Administrative Offices

Phone: 937-596-5511

801 West Pike Street,
Jackson Center, Ohio 45334



EMI Mexico

Ventas@EMIcorp.com
Teléfono: +52 (442) 349-7646

Parque Industrial Querétaro
Santa Rosa de Jáuregui, Querétaro 76220