

Anodized Aluminum Manifolds

Water Management

These manifolds can't rust, they resist corrosion and cost less!

Made from heavy-wall aluminum extrusions, tested to 120 psi. Standard manifolds have 1" or 1½" process water ports and ¾" or ½" outlets and are ready for immediate shipment. Each manifold is shipped with two complete stick-on option sheets (one red and one blue) with water direction labels. EMI divided aluminum manifolds are available in 'AL' sized extrusion and in OAL up to 16". Standard hole spacing is maintained to permit use of ball valves. By incorporating the center factory installed divider, supply and return can be achieved in one compact unit, eliminating the end plug. Choose from top surface ports or ports on the 45° surfaces, and outlet sizes up to ¾".

Reduce mold setup time!

Mount these manifolds on your molds and pre-plumb water outlets directly to the molds. Use fewer fittings and connections and maximize cooling water flow. The next time you run, just hook up the process hoses and you're ready to go! And, because they're aluminum, these EMI manifolds can't rust in storage.

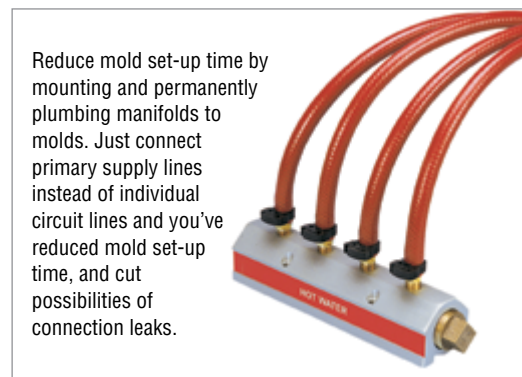
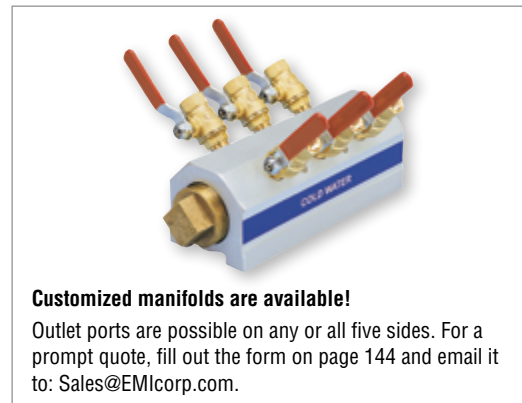
We'll customize to fit your special needs

Standard, stocked manifolds have ¾" or ½" outlets on the top or angled sides and are ready for immediate shipment. Want outlets somewhere else, or a different number or variety of outlet sizes in the standard or divided manifolds?

No problem. **We'll customize your manifolds. See form on page 144.**



Note: Strong, rust-free, corrosion-resistant, aluminum water manifolds are available with 1" or 1½" process water ports. Standard units have outlets on top or the angled sides.



Anodized Aluminum Manifolds



4 Outlet Aluminum Manifolds with 1" and 1½" NPT, also available with middle divider.

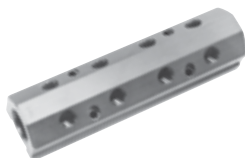
Pages 132–133



6 Outlet Aluminum Manifolds with 1" and 1½" NPT.

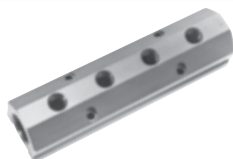
Pages 134–135

Aluminum Manifolds with Divider not available in this size.



8 Outlet Aluminum Manifolds with 1" and 1½" NPT, also available with middle divider.

Pages 136–137



4 Outlet Aluminum Manifolds with 1" and 1½" NPT, also available with middle divider.

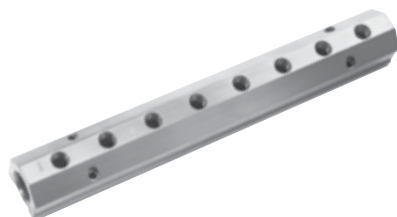
Pages 138–139



6 Outlet Aluminum Manifolds with 1" and 1½" NPT, also available with middle divider.

Pages 140–141

Manifold Quantity Discounts	
1–24	Net
25 +	Less 5%
Mix or Match for Discount	



8 Outlet Aluminum Manifolds with 1" and 1½" NPT.

Pages 142–143

Aluminum Manifolds with Divider not available in this size.

Anodized Aluminum Water Manifolds

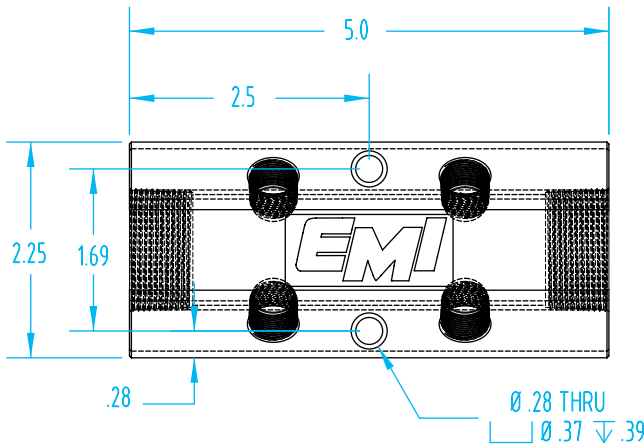
4 Outlet Aluminum Manifold with 1" NPT End Ports

Features:

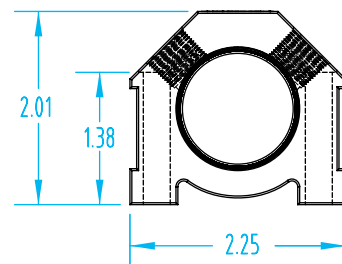
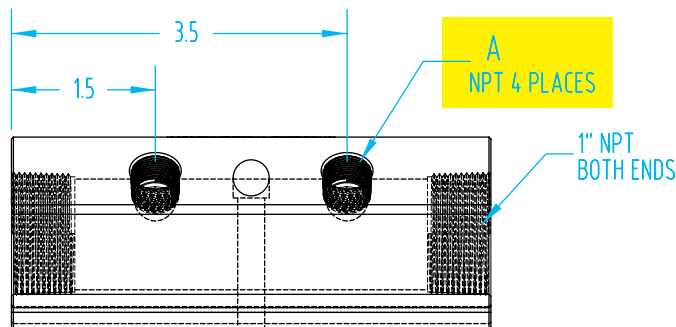
- Constructed from heavy-wall aluminum extrusions
- Standard manifolds have 1" or 1½" process water ports and ¼", ⅜", ½", or ¾" outlets
- Pressure rated to 120 psi
- Temperature rated to 300°F
- Shipped with two complete stick-on option sheets (one red and one blue) with water direction labels



Quick#	Part#	A (Outlet Dim.)	Price
W011	A-2A2	⅜"	\$47
W012	A-2A2-25	¼"	\$47

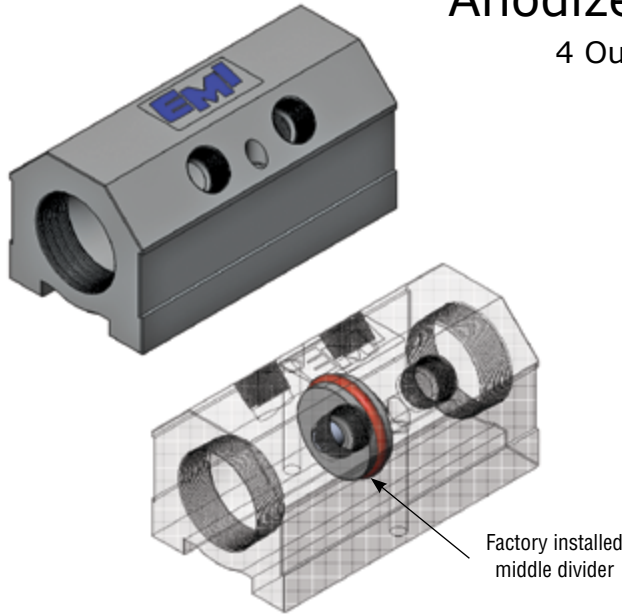


See pages 193–197 for hose, fittings, valves, and end plugs



Anodized Aluminum Water Manifolds

4 Outlet Aluminum Manifold with 1 1/2" NPT End Ports
Available with Middle Divider



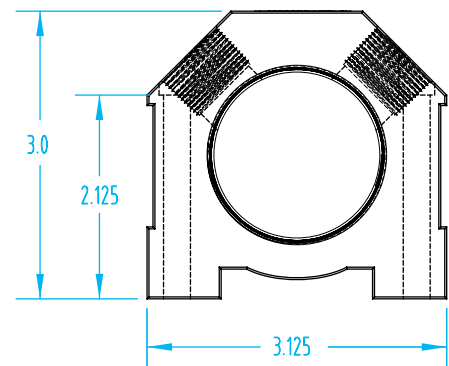
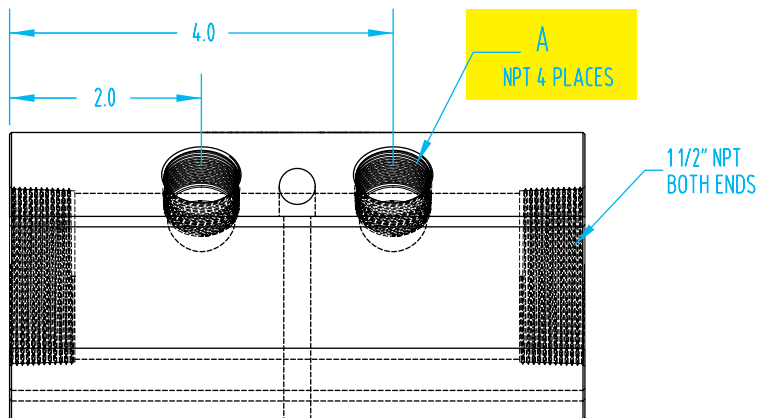
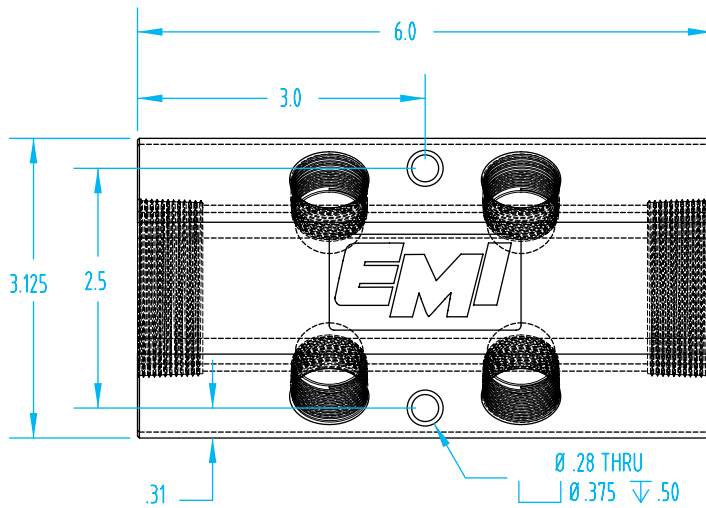
Quick#	Part#	A (Outlet Dim.)	Price
W013	AL-2A2	1/2"	\$71
W014	AL-2A2-38	3/8"	\$71
W015	AL-2A2-75	3/4"	\$71

Manifolds with Divider

W934	AL-2A2D	1/2"	\$118
W935	AL-2A2-38D	3/8"	\$118
W936	AL-2A2-75D	3/4"	\$118

Divider Replacement Parts

W937	5X-212-1	Divider Assembly	\$47
W938	CP-3743	O-Ring	\$5



Anodized Aluminum Water Manifolds

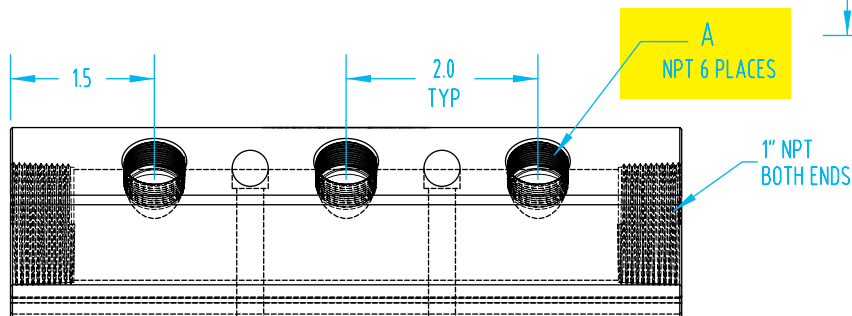
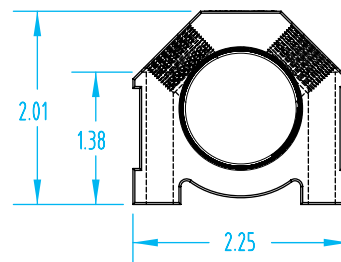
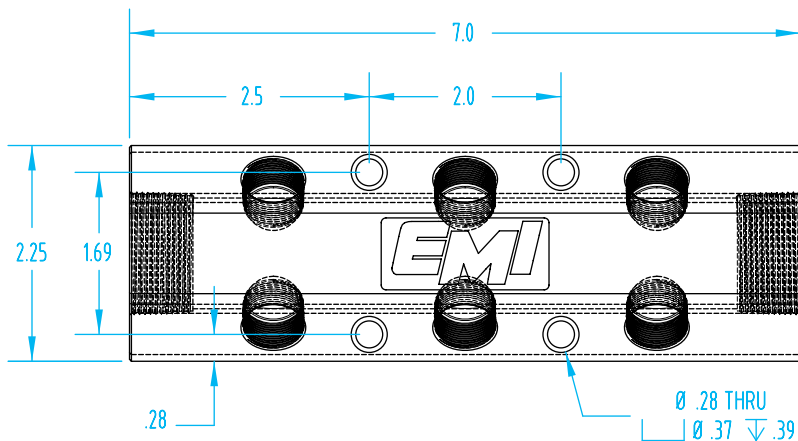
6 Outlet Aluminum Manifold with 1" NPT End Ports

Features:

- Constructed from heavy-wall aluminum extrusions
- Standard manifolds have 1" or 1½" process water ports and ¼", ⅜", ½", or ¾" outlets
- Pressure rated to 120 psi
- Temperature rated to 300°F
- Shipped with two complete stick-on option sheets (one red and one blue) with water direction labels



Quick#	Part#	A (Outlet Dim.)	Price
W016	A-3A3	⅜"	\$59
W017	A-3A3-25	¼"	\$59



Anodized Aluminum Water Manifolds

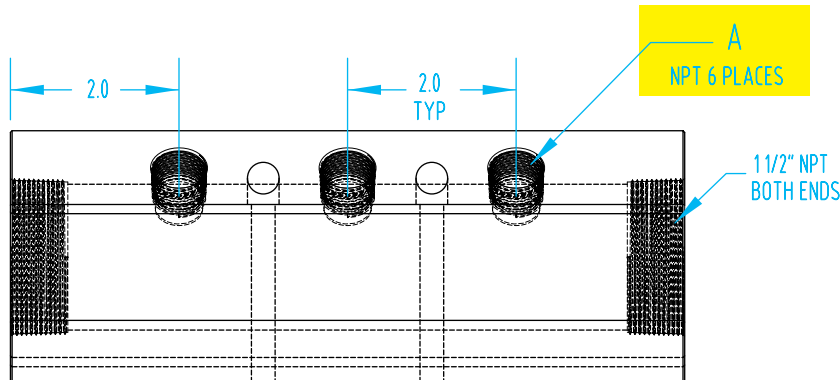
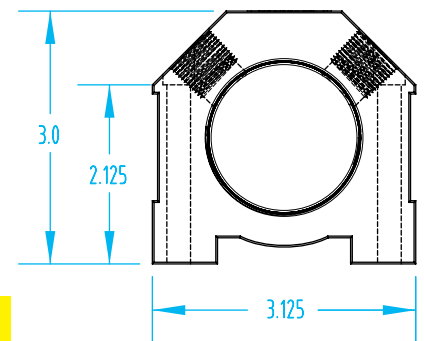
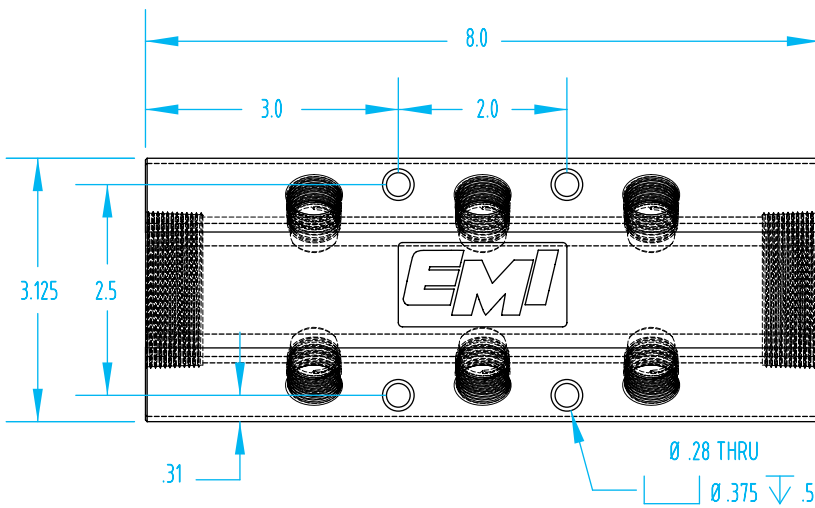
6 Outlet Aluminum Manifold with 1 1/2" NPT End Ports



Anodized Aluminum Manifolds with middle divider not available in this size.

Quick#	Part#	A (Outlet Dim.)	Price
W018	AL-3A3	1/2"	\$91
W019	AL-3A3-38	3/8"	\$91
W020	AL-3A3-75	3/4"	\$91

Water Management



Anodized Aluminum Water Manifolds

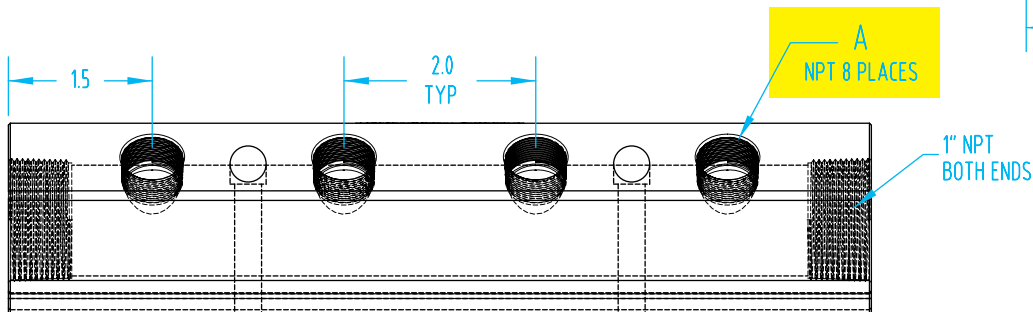
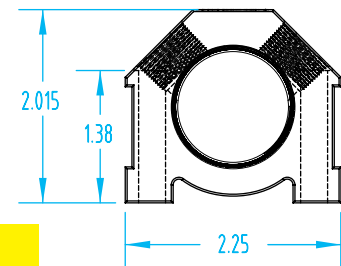
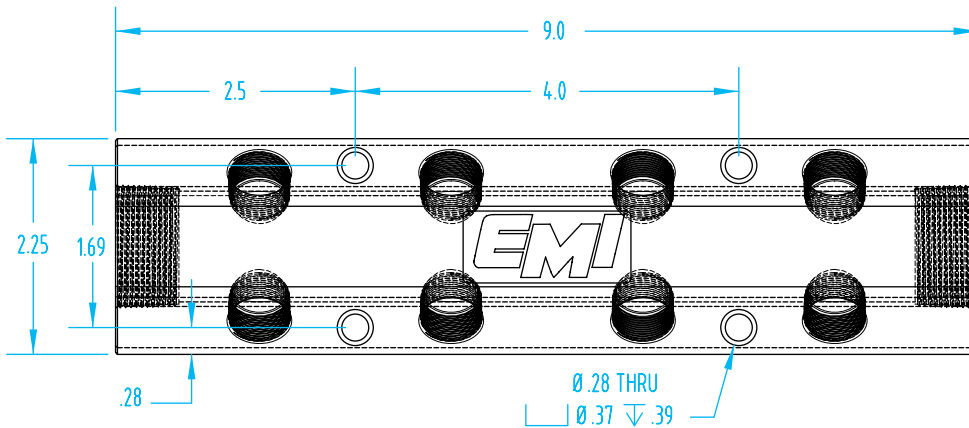
8 Outlet Aluminum Manifold with 1" NPT End Ports

Features:

- Constructed from heavy-wall aluminum extrusions
- Standard manifolds have 1" or 1½" process water ports and ¼", ⅜", ½", or ¾" outlets
- Pressure rated to 120 psi
- Temperature rated to 300°F
- Shipped with two complete stick-on option sheets (one red and one blue) with water direction labels

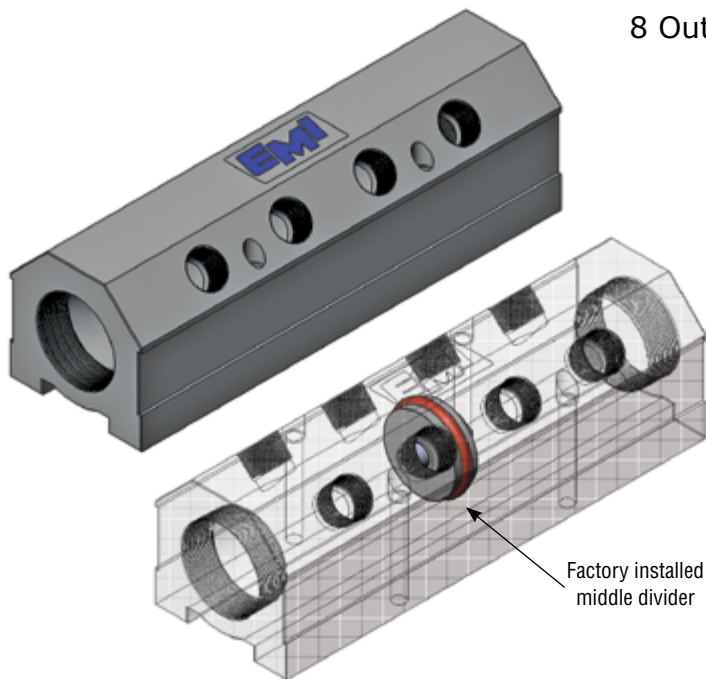


Quick#	Part#	A (Outlet Dim.)	Price
W021	A-4A4	⅜"	\$75
W022	A-4A4-25	¼"	\$75



Anodized Aluminum Water Manifolds

8 Outlet Aluminum Manifold with 1 1/2" NPT End Ports
Available with Middle Divider



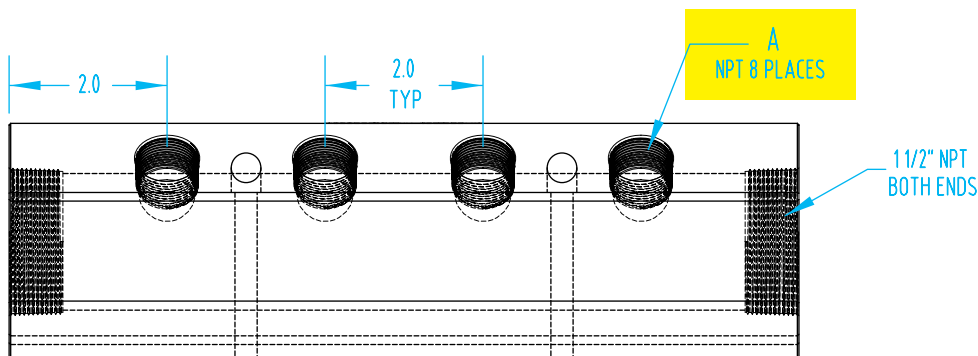
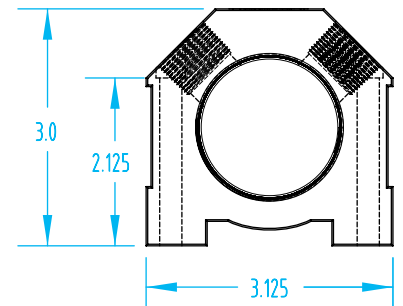
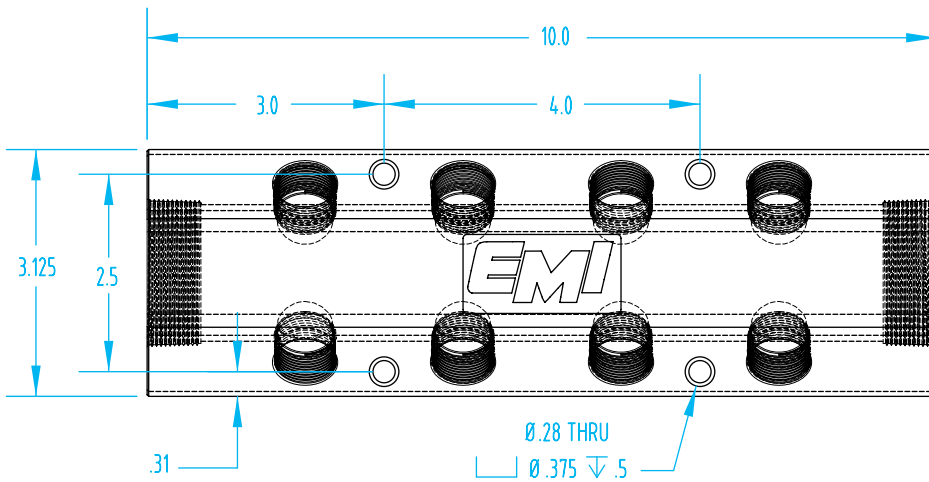
Quick#	Part#	A (Outlet Dim.)	Price
W023	AL-4A4	1/2"	\$111
W024	AL-4A4-38	3/8"	\$111
W025	AL-4A4-75	3/4"	\$111

Manifolds with Divider

W940	AL-4A4D	1/2"	\$157
W941	AL-4A4-38D	3/8"	\$157
W942	AL-4A4-75D	3/4"	\$157

Divider Replacement Parts

W937	5X-212-1	Divider Assembly	\$47
W938	CP-3743	O-Ring	\$5



Anodized Aluminum Water Manifolds

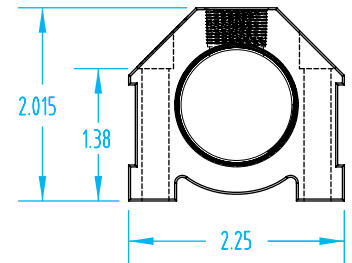
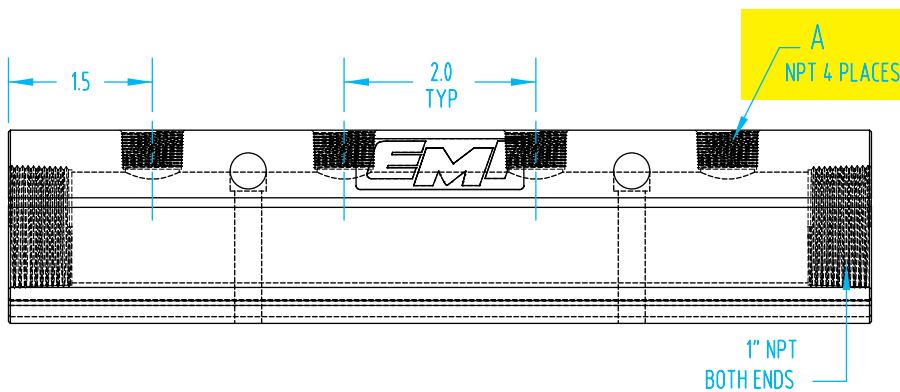
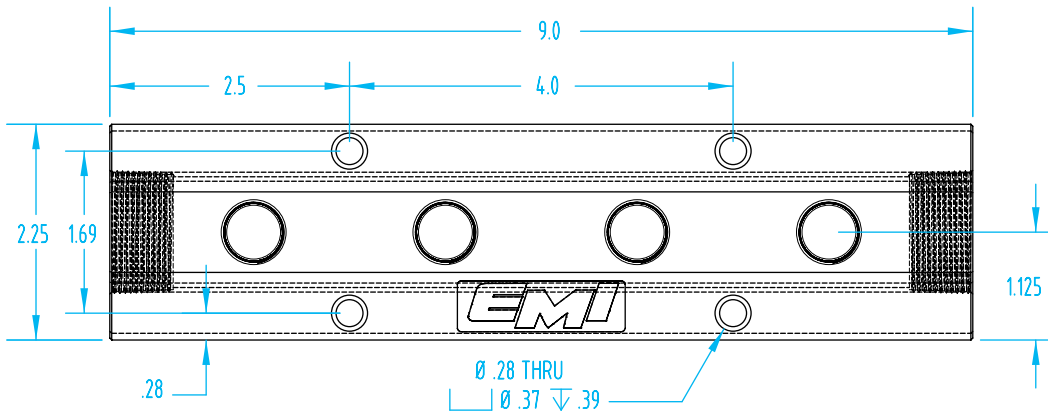
4 Outlet Aluminum Manifold with 1" NPT End Ports

Features:

- Constructed from heavy-wall aluminum extrusions
- Standard manifolds have 1" or 1½" process water ports and ¼", ⅜", ½", or ¾" outlets
- Pressure rated to 120 psi
- Temperature rated to 300°F
- Shipped with two complete stick-on option sheets (one red and one blue) with water direction labels

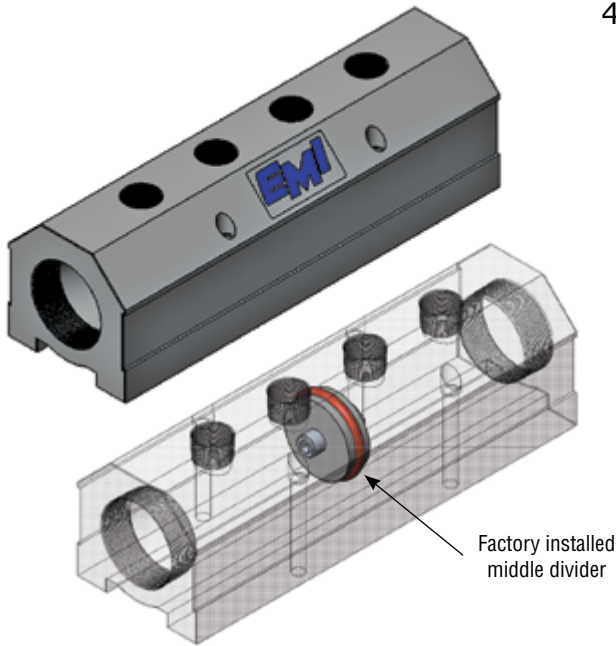


Quick#	Part#	A (Outlet Dim.)	Price
W026	A-4	⅜"	\$52
W027	A-4-25	¼"	\$52



Anodized Aluminum Water Manifolds

4 Outlet Aluminum Manifold with 1½" NPT End Ports
Available with Middle Divider



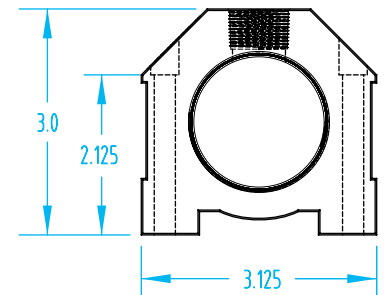
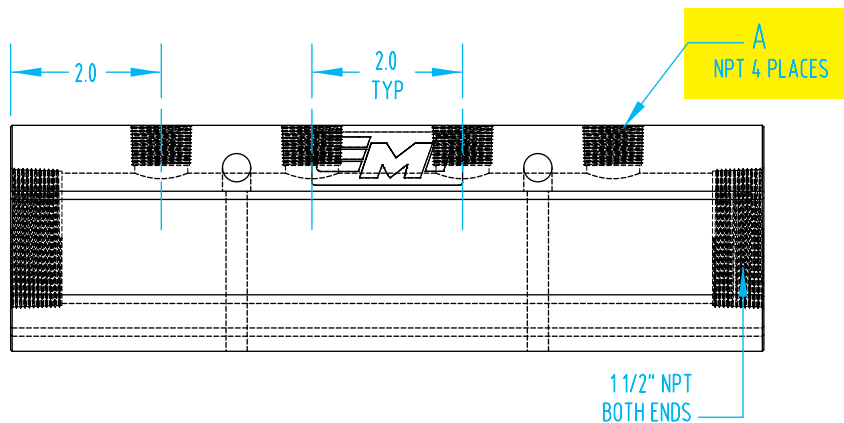
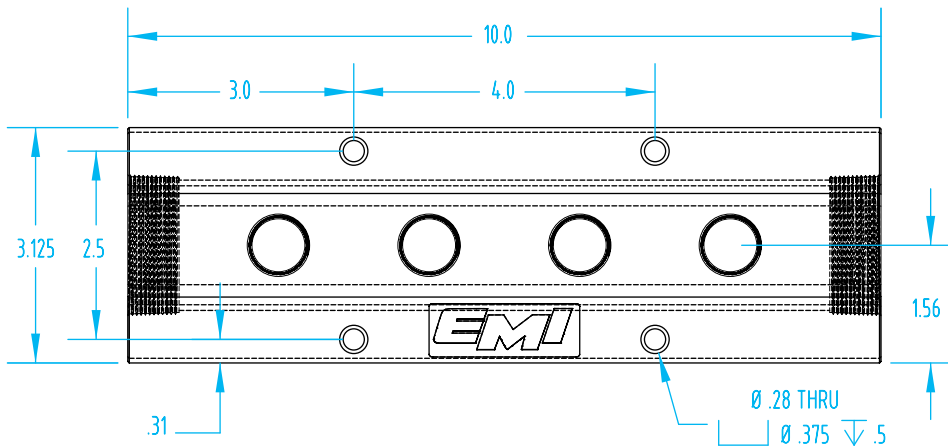
Quick#	Part#	A (Outlet Dim.)	Price
W028	AL-4	1/2"	\$85
W029	AL-4-38	3/8"	\$85
W030	AL-4-75	3/4"	\$85

Manifolds with Divider

W943	AL-4D	1/2"	\$131
W944	AL-4-38D	3/8"	\$131
W945	AL-4-75D	3/4"	\$131

Divider Replacement Parts

W937	5X-212-1	Divider Assembly	\$47
W938	CP-3743	O-Ring	\$5



Anodized Aluminum Water Manifolds

6 Outlet Aluminum Manifold with 1" NPT End Ports

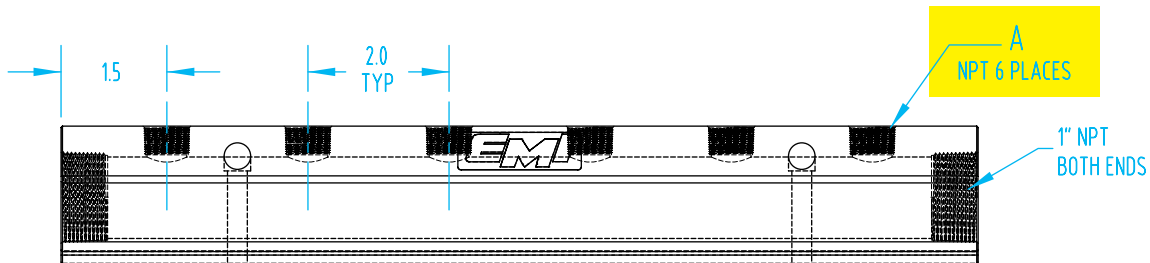
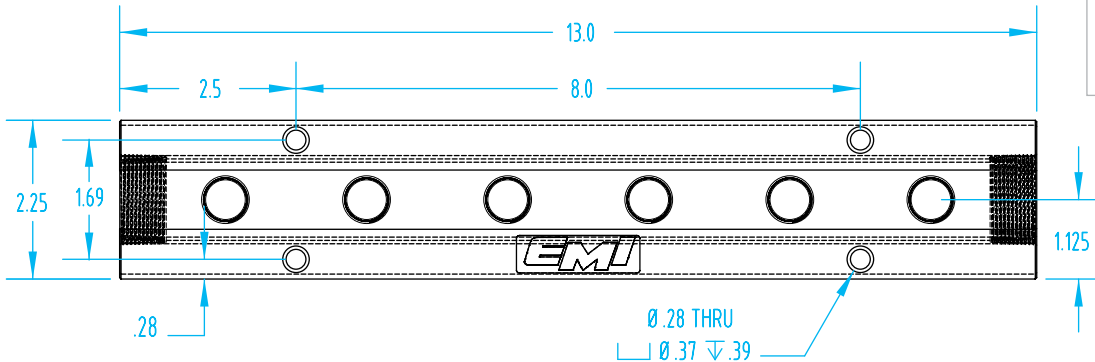
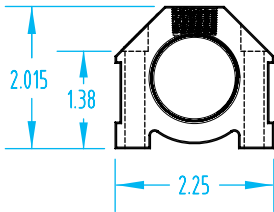
Water Management

Features:

- Constructed from heavy-wall aluminum extrusions
- Standard manifolds have 1" or 1½" process water ports and ¼", ⅜", ½", or ¾" outlets
- Pressure rated to 120 psi
- Temperature rated to 300°F
- Shipped with two complete stick-on option sheets (one red and one blue) with water direction labels

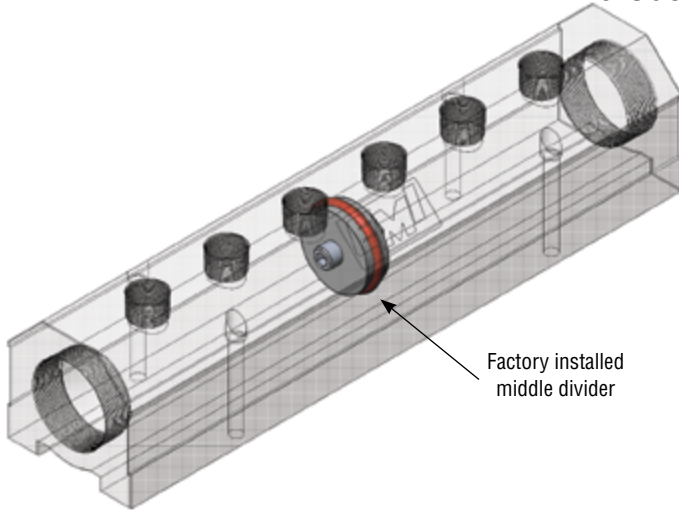


Quick#	Part#	A (Outlet Dim.)	Price
W031	A-6	⅜"	\$65
W032	A-6-25	¼"	\$65



Anodized Aluminum Water Manifolds

6 Outlet Aluminum Manifold with 1 1/2" NPT End Ports
Available with Middle Divider



Factory installed middle divider

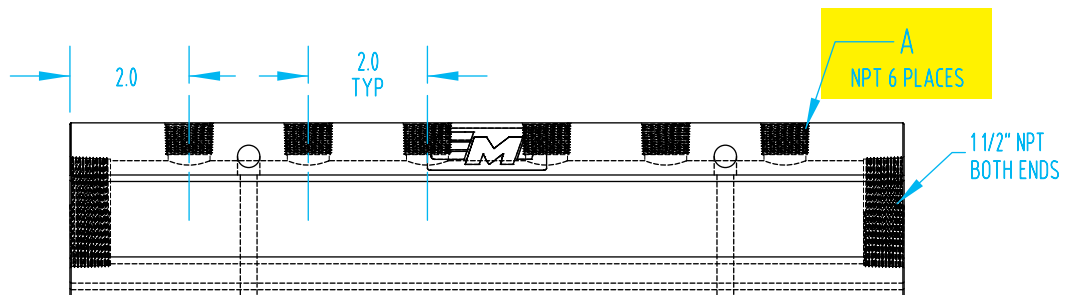
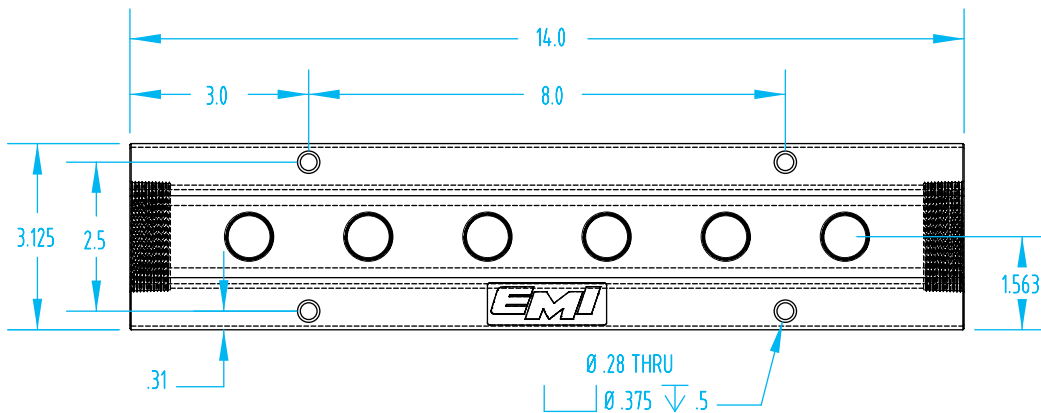
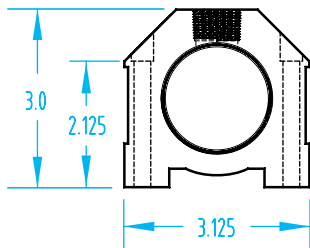
Quick#	Part#	A (Outlet Dim.)	Price
W033	AL-6	1/2"	\$109
W034	AL-6-38	3/8"	\$109
W035	AL-6-75	3/4"	\$109

Manifolds with Divider

W946	AL-6D	1/2"	\$155
W947	AL-6-38D	3/8"	\$155
W948	AL-6-75D	3/4"	\$155

Divider Replacement Parts

W937	5X-212-1	Divider Assembly	\$47
W938	CP-3743	O-Ring	\$5



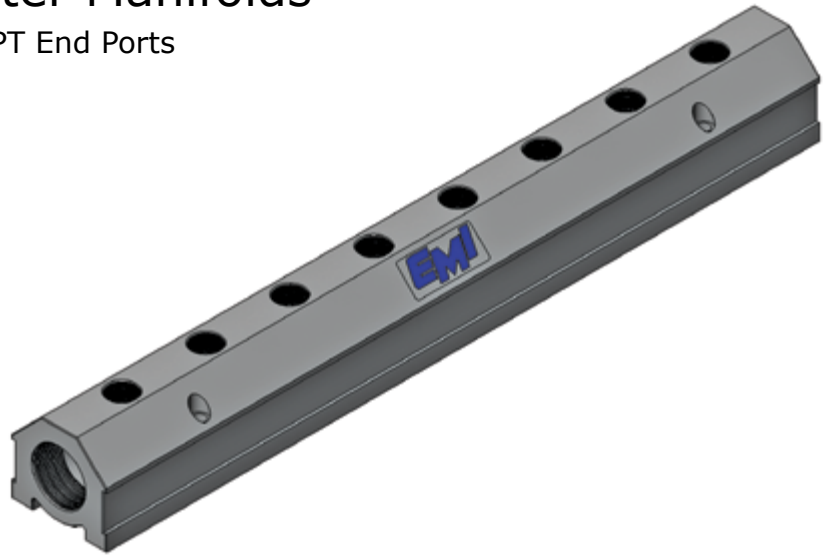
Anodized Aluminum Water Manifolds

8 Outlet Aluminum Manifold with 1" NPT End Ports

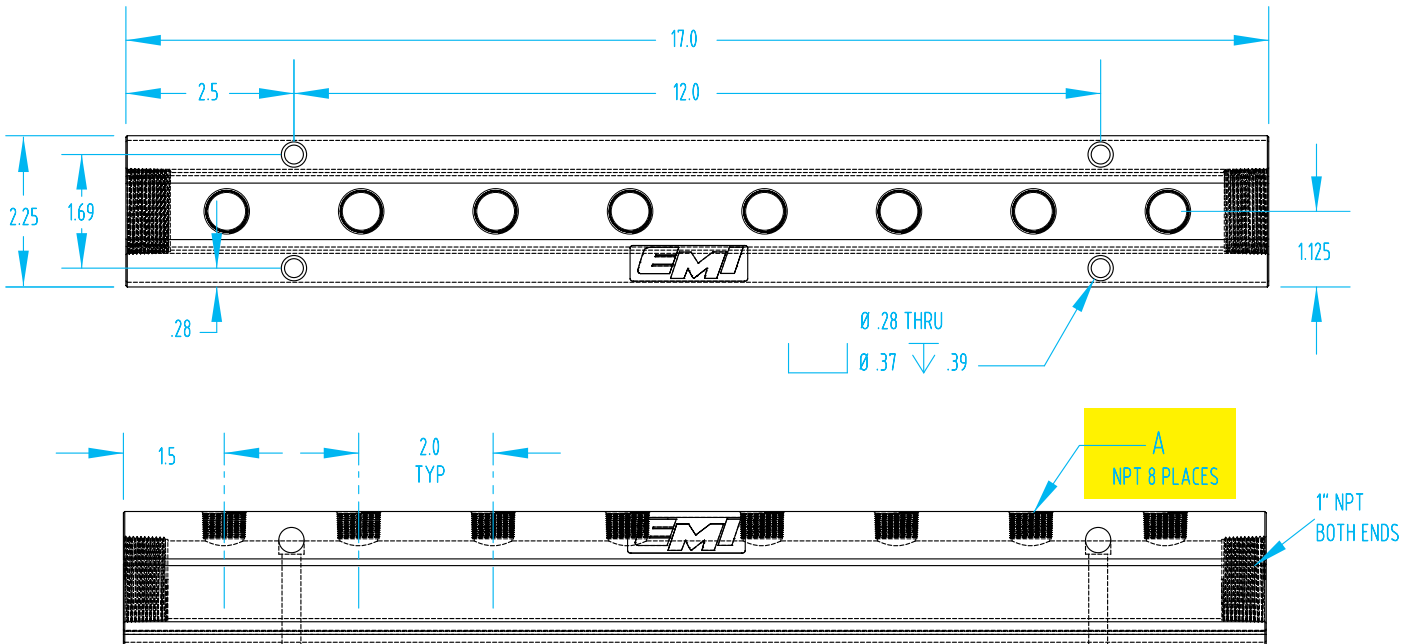
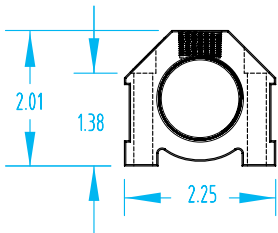
Water Management

Features:

- Constructed from heavy-wall aluminum extrusions
- Standard manifolds have 1" or 1½" process water ports and ¼", ⅜", ½", or ¾" outlets
- Pressure rated to 120 psi
- Temperature rated to 300°F
- Shipped with two complete stick-on option sheets (one red and one blue) with water direction labels

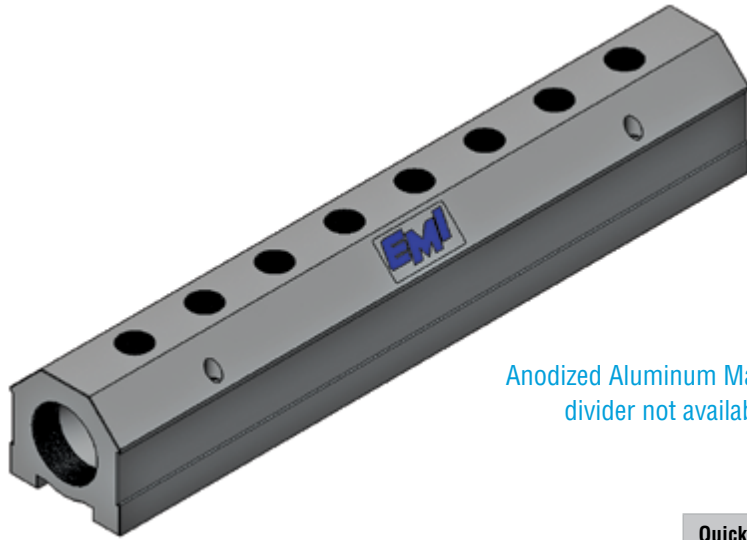


Quick#	Part#	A (Outlet Dim.)	Price
W036	A-8	⅜"	\$84
W037	A-8-25	¼"	\$84



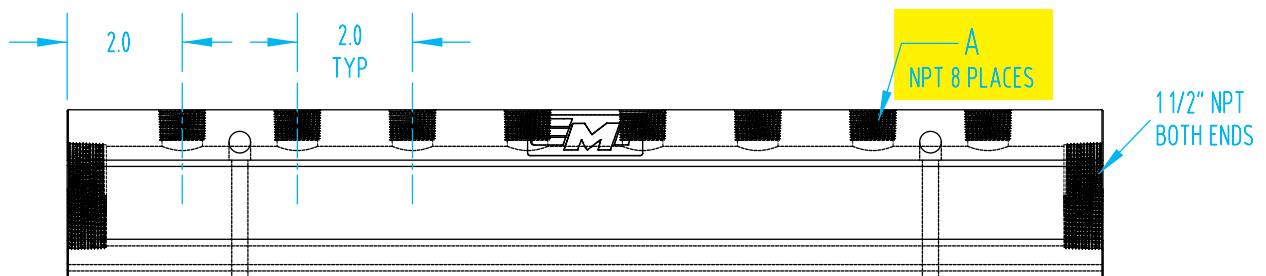
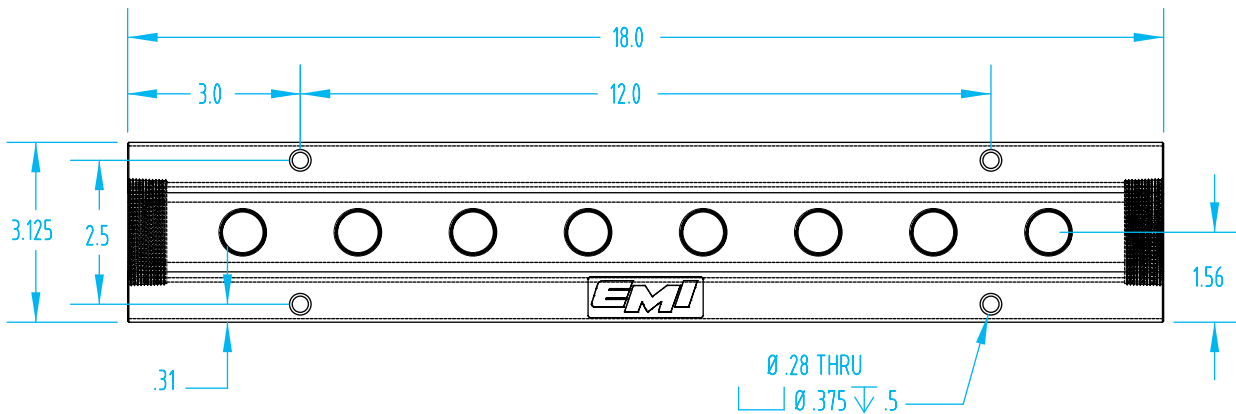
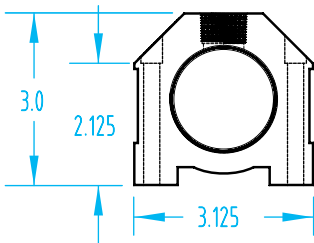
Anodized Aluminum Water Manifolds

8 Outlet Aluminum Manifold with 1½" NPT End Ports



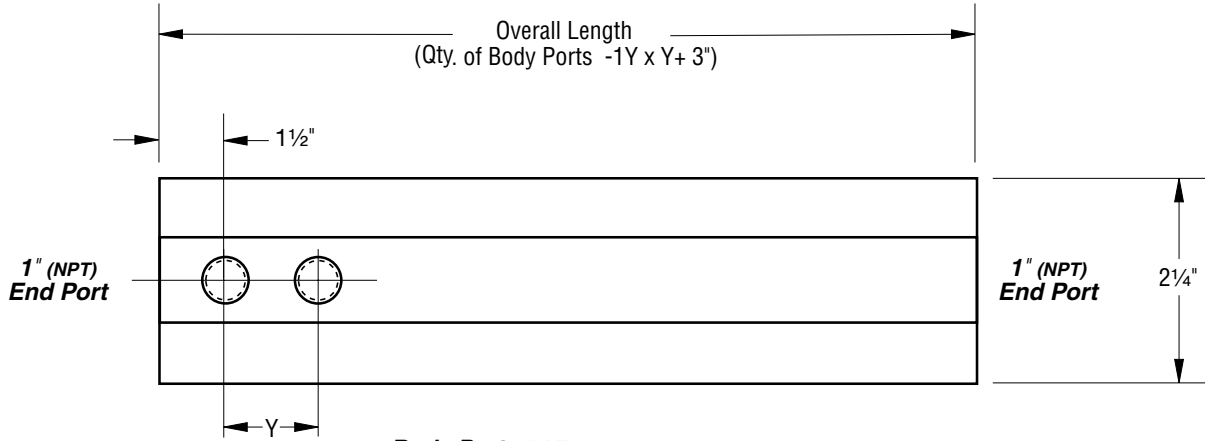
Anodized Aluminum Manifolds with middle divider not available in this size.

Quick#	Part#	A (Outlet Dim.)	Price
W038	AL-8	½"	\$133
W039	AL-8-38	¾"	\$133
W040	AL-8-75	¾"	\$133

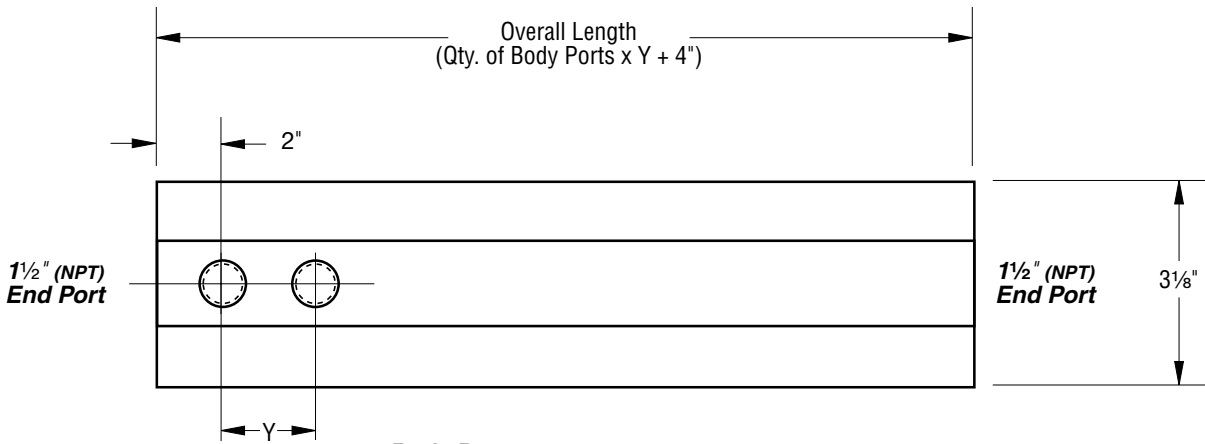
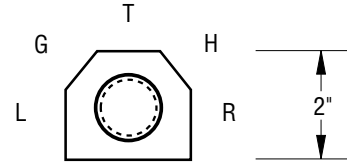


Custom Anodized Aluminum Manifold Form

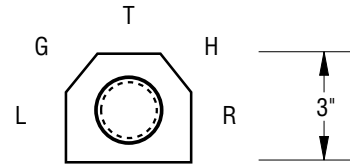
Water Management



Body Ports (NPT)
 Size: 1/4" 3/8" Other: _____
 Quantity: _____
 Location: L G T H R
 Y Spacing: (2" standard) or Other: _____



Body Ports (NPT)
 Size: 1/4" 3/8" 1/2" 3/4" Other: _____
 Quantity: _____
 Location: L G T H R
 Y Spacing: (2" standard) or Other: _____



Company: _____ Telephone: _____
 Name: _____ Fax: _____
 Date: _____ Quote Order Email: _____

Email completed form to: Sales@EMICorp.com or fax to: 216-535-4823