

Kool Flow Water Manifolds

Are you looking for a flexible water manifold system?

The FB Series water manifold is exactly what you expect from the industry's number one water manifold supplier. Designed with Kool Flow's exclusive **flex block technology** features, the FB Series delivers superior design and flexibility to meet the most demanding applications.

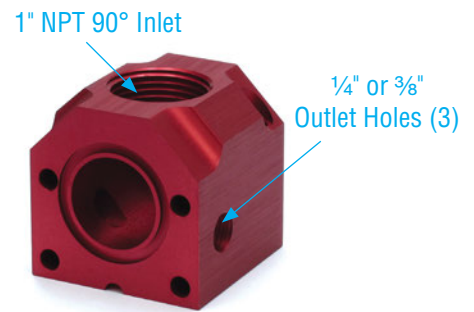
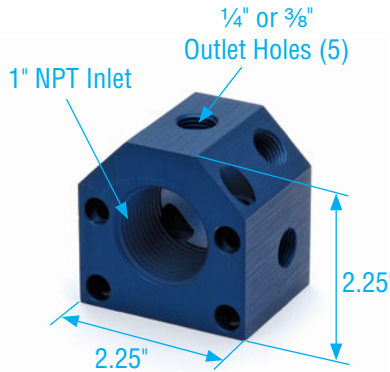
Flexible design: Four patented modular block assemblies can be used for multiple application needs. Flex design reduces assembly time and allows modifications for the ability to change on the fly. O-ring seals protect against leaks between block assemblies.

Features:

- Modular construction.
- Aluminum material; light weight & long-lasting.
- Anodized for corrosion protection.
- Various port size options for flexibility.
- Pre-drilled mounting holes.
- Viton® O-rings & tie rods included.
- Components are in stock and built to order by EMI.

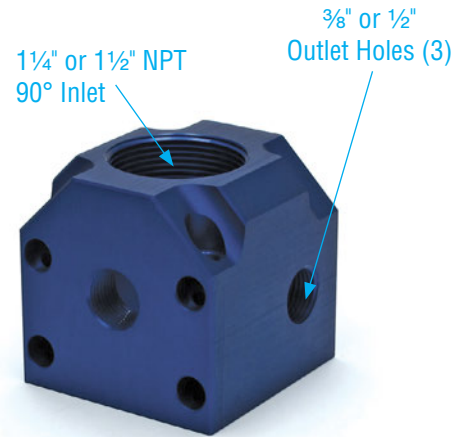
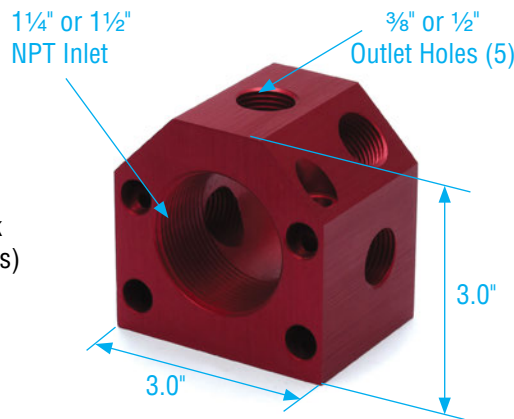
FB2 Specifications:

- Block size: 2.25" W x 2.25" H
- Material: 6061-T6, Anodized
- Mounting hole size: 1/4" SHCS
- Inlet hole: 1" NPT
- Outlet holes: 1/4" or 3/8"
- Five outlet holes standard per block (Three holes standard on 90° blocks)
- 400°F Temperature range



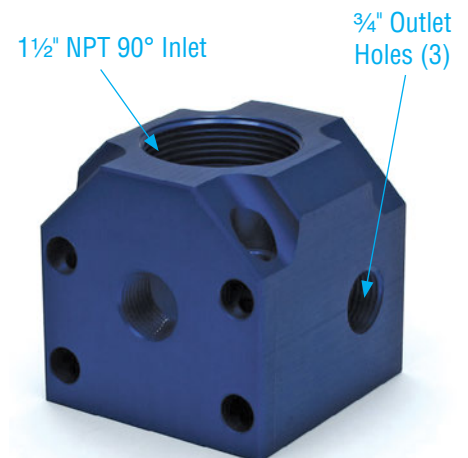
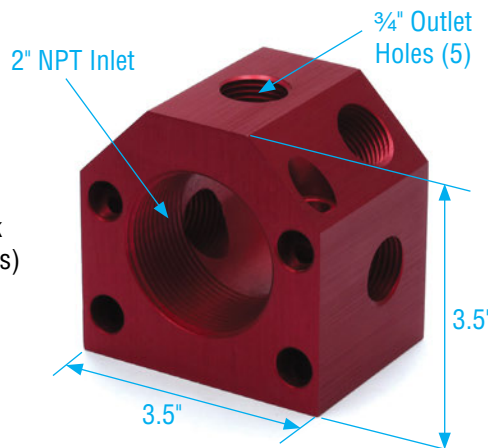
FB3 Specifications:

- Block size: 3.00" W x 3.00" H
- Material: 6061-T6, Anodized
- Mounting hole size: 3/8" SHCS
- Inlet hole: 1 1/4" and 1 1/2" NPT
- Outlet holes: 3/8" or 1/2"
- Five outlet holes standard per block (Three holes standard on 90° blocks)
- 400°F temperature range



FB4 Specifications:

- Block size: 3.50" W x 3.50" H
- Material: 6061-T6, Anodized
- Mounting hole size: 5/16" SHCS
- Inlet hole: 2" NPT
- Outlet holes: 3/4"
- Five outlet holes standard per block (Three holes standard on 90° blocks)
- 400°F temperature range



Kool Flow Water Manifolds



Each of the standard configurations below are available in the conventional style with inlet(s) located on the ends, or you can select the new 90° series for minimum space requirement and similar, straight-in hose connections.

Step 1:

- Choose the block size that best meets your requirements, FB2, FB3, FB4.

Step 2:

- Determine the style that best meets your requirements: Port to Divide, Port to Port, Port to Blank (explained below).

Step 3:

- Select original end located inlets or new 90° located inlets (shown below).

Step 4:

- Determine how many total outlets are required and select the manifold from the units on pages 148–155.

FB Series Manifold Configurations:

End Port-to-End Port

Straight-through design with inlets on both ends.



End Port-to-Blank

Single, end-located inlet with opposite end blank.



Divided End Port-to-End Port

Combines single end-located inlets with blank center block to create supply and return in one manifold.



90° Port-to-90° Port

Straight-through design with 90° inlets on both ends.



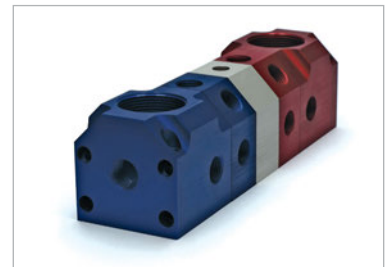
90° Port-to-Blank

Single, 90° located inlet with opposite end blank.



90° Port-to-Divide-to-90° Port

Combines 90° end located inlets with blank center block to create supply and return in one manifold.



- Limited for space, Port-to-Port configuration can separate hot & cold and mount in different locations.
- Available in red/clear and blue/clear.
- 1 Inlet at each end, 6 blocks maximum.

- With a Port-to-Blank configuration you can eliminate the end plug and still mount the hot & cold in different locations.
- Available in red/clear and blue/clear.
- 1 Inlet, 1 blank end, 7 blocks maximum.

- Combine your cooling needs into one manifold. Separate hot & cold with a mid-block and mount in one easy location.
- Available in red and blue with clear mid-block.
- 1 Inlet at each end with separation block, 11 blocks maximum.

Kool Flow Water Manifolds

FB2 Series, Individual Components

Specifications

- Block size: 2.25" W x 2.25" H
- Material: 6061-T6, Anodized (also available in Brass, contact us today!)
- Mounting hole size: 1/4" SHCS
- Inlet hole: 1" NPT
- Outlet holes: 1/4" or 3/8"
- Five outlet holes standard per block (Three outlet holes standard on 90° blocks)
- 400°F temperature range.



Individual components can be purchased to reconfigure existing manifolds, or if you wish to assemble your Kool Flow manifold at your facility.



Standard First Block (red / blue only)

Standard First Block (1" NPT bore)

Quick#	Part#	Inlet	Outlets (5)	Color	Price
W500	FB2-FB-1-4-R	1" NPT	1/4" NPT	Red	\$42.98
W501	FB2-FB-1-4-B	1" NPT	1/4" NPT	Blue	\$42.98
W502	FB2-FB-1-6-R	1" NPT	3/8" NPT	Red	\$42.98
W503	FB2-FB-1-6-B	1" NPT	3/8" NPT	Blue	\$42.98

First Blocks are used in the initial position of a manifold and have a threaded inlet, five outlets, two mounting holes and a groove for the o-ring. (90° First Block has only three outlets)



90° First Block (red / blue only)

90° First Block

Quick#	Part#	Inlet	Outlets (3)	Color	Price
W530	FB2-FB90-1-4-R	1" NPT	1/4" NPT	Red	\$53.78
W531	FB2-FB90-1-4-B	1" NPT	1/4" NPT	Blue	\$53.78
W532	FB2-FB90-1-6-R	1" NPT	3/8" NPT	Red	\$53.78
W533	FB2-FB90-1-6-B	1" NPT	3/8" NPT	Blue	\$53.78



Mod Block (red / blue only)

Mod Block

Quick#	Part#	Thru hole	Outlets (5)	Color	Price
W508	FB2-MOD-4-R	1" I.D.	1/4" NPT	Red	\$30.49
W509	FB2-MOD-4-B	1" I.D.	1/4" NPT	Blue	\$30.49
W510	FB2-MOD-6-R	1" I.D.	3/8" NPT	Red	\$30.49
W511	FB2-MOD-6-B	1" I.D.	3/8" NPT	Blue	\$30.49

Mod (Modular) Blocks are the 'everything in between' blocks. Use to create your manifold to your specifications. Features through bore, five outlets, and a groove for o-ring.



Standard Last Block (clear only)



90° Last Block (clear only)



End Block (clear only)



O-rings and hardware required for each block

Kool Flow Water Manifolds

FB2 Series, Individual Components

Standard Last Block (only used in Port-to-Port)

Quick#	Part#	Inlet	Outlets (5)	Color	Price
W516	FB2-LB-1-4-CL	1" NPT	1/4" NPT	Clear	\$36.75
W518	FB2-LB-1-6-CL	1" NPT	3/8" NPT	Clear	\$36.75

Last Blocks are used in the final position of a manifold and have a threaded inlet, five outlets, two mounting holes and a groove for the o-ring. (90° Last Block has only three outlets)

90° Last Block (only used in Port-to-Port)

Quick#	Part#	Inlet	Outlets (3)	Color	Price
W527	FB2-LB90-1-4-CL	1" NPT	1/4" NPT	Clear	\$54.52
W529	FB2-LB90-1-6-CL	1" NPT	3/8" NPT	Clear	\$54.52

When ordering, use Quick#s to ensure order accuracy.

End Block (only used in Port-to-Blank or Port-to-Divide)

Quick#	Part#	Description	Price
W526	FB2-EB-CL	End Block, Clear	\$30.30

End Blocks are used to create a blank at one end of a manifold or to create a center divider in a combined red / blue manifold. Features one mounting hole.

Hardware for FB2 Series

Quick#	Part#	Description	Price
W734	FB2-SHCS-1	10-32 x 1" SS SHCS (when using 3-6 blocks)	\$0.44
W735	FB2-SHCS-2	10-32 x 1 1/4" SS SHCS (when using 1-2 blocks)	\$0.46
W736	FB2-TR-1	10-32 Special Tie Rod for Single Block	\$1.04
W759	FB2-TR-2	10-32 Tie Rod for Dual Block	2.09
W737	FB2-OR-1	Viton O-Ring for FB2 Series	\$0.99
W738	FB2-SHCS-MNT-1	1/4"-20 x 2" SS SHCS (for Mounting)	\$0.55

Kool Flow Water Manifolds

FB2 1" NPT Inlets — Completely assembled and ready to use

Port-to-Divide: Combine hot (red) and cold (blue) into one compact unit, separated by a divider block (end block).

Quick#	Part#	Inlets (2)	Blue Outlets	Divider	Red Outlets	OAL	Price
W550	FB2-1-4-PD	1"	(5) 1/4"	Yes	(5) 1/4"	4.75"	\$151.00
W551	FB2-2-4-PD	1"	(10) 1/4"	Yes	(10) 1/4"	7.25"	\$222.00
W552	FB2-3-4-PD	1"	(15) 1/4"	Yes	(15) 1/4"	9.75"	\$285.00
W553	FB2-4-4-PD	1"	(20) 1/4"	Yes	(20) 1/4"	12.25"	\$355.00
W554	FB2-5-4-PD	1"	(25) 1/4"	Yes	(25) 1/4"	14.75"	\$417.00

Quick#	Part#	Inlets (2)	Blue Outlets	Divider	Red Outlets	OAL	Price
W555	FB2-1-6-PD	1"	(5) 3/8"	Yes	(5) 3/8"	4.75"	\$151.00
W556	FB2-2-6-PD	1"	(10) 3/8"	Yes	(10) 3/8"	7.25"	\$222.00
W557	FB2-3-6-PD	1"	(15) 3/8"	Yes	(15) 3/8"	9.75"	\$285.00
W558	FB2-4-6-PD	1"	(20) 3/8"	Yes	(20) 3/8"	12.25"	\$355.00
W559	FB2-5-6-PD	1"	(25) 3/8"	Yes	(25) 3/8"	14.75"	\$417.00

Note: Maximum total blocks used in one configuration is five on either side of divider block.



Quick# W552

Port-to-Port: Provides ability for separation of hot and cold where two end-located inlets are required.

Quick#	Part#	Inlets (2)	Red Outlets	Gray Outlets	OAL	Price
W560	FB2-2-4-R-PP	1"	(5) 1/4"	(5) 1/4"	3.5"	\$125.00
W561	FB2-3-4-R-PP	1"	(10) 1/4"	(5) 1/4"	4.75"	\$160.00
W562	FB2-4-4-R-PP	1"	(15) 1/4"	(5) 1/4"	6.0"	\$196.00
W563	FB2-5-4-R-PP	1"	(20) 1/4"	(5) 1/4"	7.25"	\$227.00

Quick#	Part#	Inlets (2)	Blue Outlets	Gray Outlets	OAL	Price
W564	FB2-2-4-B-PP	1"	(5) 1/4"	(5) 1/4"	3.5"	\$125.00
W565	FB2-3-4-B-PP	1"	(10) 1/4"	(5) 1/4"	4.75"	\$160.00
W566	FB2-4-4-B-PP	1"	(15) 1/4"	(5) 1/4"	6.0"	\$196.00
W567	FB2-5-4-B-PP	1"	(20) 1/4"	(5) 1/4"	7.25"	\$227.00

Quick#	Part#	Inlets (2)	Red Outlets	Gray Outlets	OAL	Price
W568	FB2-2-6-R-PP	1"	(5) 3/8"	(5) 3/8"	3.5"	\$125.00
W569	FB2-3-6-R-PP	1"	(10) 3/8"	(5) 3/8"	4.75"	\$160.00
W570	FB2-4-6-R-PP	1"	(15) 3/8"	(5) 3/8"	6.0"	\$196.00
W571	FB2-5-6-R-PP	1"	(20) 3/8"	(5) 3/8"	7.25"	\$227.00

Quick#	Part#	Inlets (2)	Blue Outlets	Gray Outlets	OAL	Price
W572	FB2-2-6-B-PP	1"	(5) 3/8"	(5) 3/8"	3.5"	\$125.00
W573	FB2-3-6-B-PP	1"	(10) 3/8"	(5) 3/8"	4.75"	\$160.00
W574	FB2-4-6-B-PP	1"	(15) 3/8"	(5) 3/8"	6.0"	\$196.00
W575	FB2-5-6-B-PP	1"	(20) 3/8"	(5) 3/8"	7.25"	\$227.00

Note: Maximum total blocks used in one configuration is five.



Quick# W561



Quick# W565

Kool Flow Water Manifolds

FB2 1" NPT Inlets — Completely assembled and ready to use

Port-to-Blank: This configuration eliminates the end plug and allows mounting to hot and cold manifolds in separate locations.

Quick#	Part#	Inlet (1)	Red Outlets	Gray Outlets	OAL	Price
W576	FB2-1-4-R-PB	1"	(5) ¼"	-	3.0"	\$107.00
W577	FB2-2-4-R-PB	1"	(10) ¼"	-	4.25"	\$143.00
W578	FB2-3-4-R-PB	1"	(15) ¼"	-	5.5"	\$171.00
W579	FB2-4-4-R-PB	1"	(20) ¼"	-	6.75"	\$209.00
W580	FB2-5-4-R-PB	1"	(25) ¼"	-	8.5"	\$240.00

Quick#	Part#	Inlet (1)	Blue Outlets	Gray Outlets	OAL	Price
W581	FB2-1-4-B-PB	1"	(5) ¼"	-	3.0"	\$107.00
W582	FB2-2-4-B-PB	1"	(10) ¼"	-	4.25"	\$143.00
W583	FB2-3-4-B-PB	1"	(15) ¼"	-	5.5"	\$171.00
W584	FB2-4-4-B-PB	1"	(20) ¼"	-	6.75"	\$209.00
W585	FB2-5-4-B-PB	1"	(25) ¼"	-	8.5"	\$240.00

Quick#	Part#	Inlet (1)	Red Outlets	Gray Outlets	OAL	Price
W586	FB2-1-6-R-PB	1"	(5) ⅜"	-	3.0"	\$107.00
W587	FB2-2-6-R-PB	1"	(10) ⅜"	-	4.25"	\$143.00
W588	FB2-3-6-R-PB	1"	(15) ⅜"	-	5.5"	\$171.00
W589	FB2-4-6-R-PB	1"	(20) ⅜"	-	6.75"	\$209.00
W590	FB2-5-6-R-PB	1"	(25) ⅜"	-	8.5"	\$240.00

Quick#	Part#	Inlet (1)	Blue Outlets	Gray Outlets	OAL	Price
W591	FB2-1-6-B-PB	1"	(5) ⅜"	-	3.0"	\$107.00
W592	FB2-2-6-B-PB	1"	(10) ⅜"	-	4.25"	\$143.00
W593	FB2-3-6-B-PB	1"	(15) ⅜"	-	5.5"	\$171.00
W594	FB2-4-6-B-PB	1"	(20) ⅜"	-	6.75"	\$209.00
W595	FB2-5-6-B-PB	1"	(25) ⅜"	-	8.5"	\$240.00

Note: Maximum total blocks used in one configuration is six including the end block. All units on this page feature five outlet holes per block except end block, which is blank.



Quick# W578



Quick# W583



Price includes o-rings and hardware required for each block.

Kool Flow Water Manifolds

FB2 90° 1" NPT Inlets — Completely assembled and ready to use

90° Port-to-Divide: Combine hot (red) and cold (blue) into one compact unit, separated by a divider block (end block).

Quick#	Part#	Inlets (2)	Blue Outlets	Divider	Red Outlets	OAL	Price
W596	FB290-1-4-PD	90° 1"	(3) ¼"	Yes	(3) ¼"	5.75"	\$176.00
W597	FB290-2-4-PD	90° 1"	(8) ¼"	Yes	(8) ¼"	8.25"	\$247.00
W598	FB290-3-4-PD	90° 1"	(13) ¼"	Yes	(13) ¼"	10.75"	\$309.00
W599	FB290-4-4-PD	90° 1"	(18) ¼"	Yes	(18) ¼"	13.25"	\$379.00
W600	FB290-5-4-PD	90° 1"	(23) ¼"	Yes	(23) ¼"	15.75"	\$441.00

Quick#	Part#	Inlets (2)	Blue Outlets	Divider	Red Outlets	OAL	Price
W601	FB290-1-6-PD	90° 1"	(3) ⅜"	Yes	(3) ⅜"	5.75"	\$176.00
W602	FB290-2-6-PD	90° 1"	(8) ⅜"	Yes	(8) ⅜"	8.25"	\$247.00
W603	FB290-3-6-PD	90° 1"	(13) ⅜"	Yes	(13) ⅜"	10.75"	\$309.00
W604	FB290-4-6-PD	90° 1"	(18) ⅜"	Yes	(18) ⅜"	13.25"	\$379.00
W605	FB290-5-6-PD	90° 1"	(23) ⅜"	Yes	(23) ⅜"	15.75"	\$441.00

Note: Maximum blocks used in one configuration is five on either side of the divider block.



Quick# W597

90° Port-to-90° Port: Provides ability for separation of hot and cold where two 90° end-located inlets are required.

Quick#	Part#	Inlets (2)	Red Outlets	Gray Outlets	OAL	Price
W606	FB290-2-4-R-PP	90° 1"	(3) ¼"	(3) ¼"	4.5"	\$160.00
W607	FB290-3-4-R-PP	90° 1"	(8) ¼"	(3) ¼"	5.75"	\$195.00
W608	FB290-4-4-R-PP	90° 1"	(13) ¼"	(3) ¼"	7.0"	\$231.00
W609	FB290-5-4-R-PP	90° 1"	(18) ¼"	(3) ¼"	8.25"	\$262.00

Quick#	Part#	Inlets (2)	Blue Outlets	Gray Outlets	OAL	Price
W610	FB290-2-4-B-PP	90° 1"	(3) ¼"	(3) ¼"	4.5"	\$160.00
W611	FB290-3-4-B-PP	90° 1"	(8) ¼"	(3) ¼"	5.75"	\$195.00
W612	FB290-4-4-B-PP	90° 1"	(13) ¼"	(3) ¼"	7.0"	\$231.00
W613	FB290-5-4-B-PP	90° 1"	(18) ¼"	(3) ¼"	8.25"	\$262.00

Quick#	Part#	Inlets (2)	Red Outlets	Gray Outlets	OAL	Price
W614	FB290-2-6-R-PP	90° 1"	(3) ⅜"	(3) ⅜"	4.5"	\$160.00
W615	FB290-3-6-R-PP	90° 1"	(8) ⅜"	(3) ⅜"	5.75"	\$195.00
W616	FB290-4-6-R-PP	90° 1"	(13) ⅜"	(3) ⅜"	7.0"	\$231.00
W617	FB290-5-6-R-PP	90° 1"	(18) ⅜"	(3) ⅜"	8.25"	\$262.00

Quick#	Part#	Inlets (2)	Blue Outlets	Gray Outlets	OAL	Price
W618	FB290-2-6-B-PP	90° 1"	(3) ⅜"	(3) ⅜"	4.5"	\$160.00
W619	FB290-3-6-B-PP	90° 1"	(8) ⅜"	(3) ⅜"	5.75"	\$195.00
W620	FB290-4-6-B-PP	90° 1"	(13) ⅜"	(3) ⅜"	7.0"	\$231.00
W621	FB290-5-6-B-PP	90° 1"	(18) ⅜"	(3) ⅜"	8.25"	\$262.00

Note: Maximum total blocks used in one configuration is five.



Quick# W607



Quick# W610

Kool Flow Water Manifolds

FB2 90° 1" NPT Inlets — Completely assembled and ready to use

90° Port-to-Blank: All units on this page feature five outlet holes per block except end block, which is blank and 90° blocks which have three outlet holes.

Quick#	Part#	Inlet (1)	Red Outlets	Gray Outlets	OAL	Price
W622	FB290-1-4-R-PB	90° 1"	(3) ¼"	-	3.5"	\$118.00
W623	FB290-2-4-R-PB	90° 1"	(8) ¼"	-	4.75"	\$153.00
W624	FB290-3-4-R-PB	90° 1"	(13) ¼"	-	6.0"	\$189.00
W625	FB290-4-4-R-PB	90° 1"	(18) ¼"	-	7.25"	\$220.00
W626	FB290-5-4-R-PB	90° 1"	(23) ¼"	-	8.5"	\$251.00

Quick#	Part#	Inlet (1)	Blue Outlets	Gray Outlets	OAL	Price
W627	FB290-1-4-B-PB	90° 1"	(3) ¼"	-	3.5"	\$118.00
W628	FB290-2-4-B-PB	90° 1"	(8) ¼"	-	4.75"	\$153.00
W629	FB290-3-4-B-PB	90° 1"	(13) ¼"	-	6.0"	\$189.00
W630	FB290-4-4-B-PB	90° 1"	(18) ¼"	-	7.25"	\$220.00
W631	FB290-5-4-B-PB	90° 1"	(23) ¼"	-	8.5"	\$251.00

Quick#	Part#	Inlet (1)	Red Outlets	Gray Outlets	OAL	Price
W632	FB290-1-6-R-PB	90° 1"	(3) ⅜"	-	3.5"	\$118.00
W633	FB290-2-6-R-PB	90° 1"	(8) ⅜"	-	4.75"	\$153.00
W634	FB290-3-6-R-PB	90° 1"	(13) ⅜"	-	6.0"	\$189.00
W635	FB290-4-6-R-PB	90° 1"	(18) ⅜"	-	7.25"	\$220.00
W636	FB290-5-6-R-PB	90° 1"	(23) ⅜"	-	8.5"	\$251.00

Quick#	Part#	Inlet (1)	Blue Outlets	Gray Outlets	OAL	Price
W637	FB290-1-6-B-PB	90° 1"	(3) ⅜"	-	3.5"	\$118.00
W638	FB290-2-6-B-PB	90° 1"	(8) ⅜"	-	4.75"	\$153.00
W639	FB290-3-6-B-PB	90° 1"	(13) ⅜"	-	6.0"	\$189.00
W640	FB290-4-6-B-PB	90° 1"	(18) ⅜"	-	7.25"	\$220.00
W641	FB290-5-6-B-PB	90° 1"	(23) ⅜"	-	8.5"	\$251.00

Note: Maximum total blocks used in one configuration is six, including the end block.



Quick# W623



Quick# W628



See pages 161–165 for hose, fittings, valves, and end plugs



Price includes o-rings and hardware required for each block.

90° Inlets simplify plumbing connections, save space!

Kool Flow Water Manifolds

FB3 Series, Individual Components

Specifications:

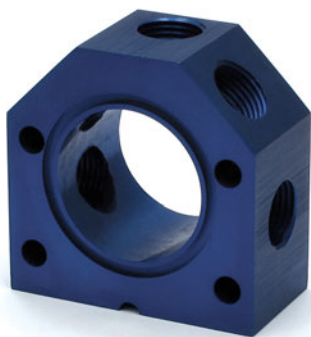
- Block size: 3.00" W x 3.00" H
- Material: 6061-T6, Anodized
- Mounting hole size: 3/8" SHCS
- Inlet hole: 1 1/4" and 1 1/2" NPT
- Outlet holes: 3/8" or 1/2"
- Five outlet holes standard per block (Three outlet holes standard on 90° blocks)
- 400°F temperature range



Standard First Block (red / blue only)



90° First Block (red / blue only)



Mod Block (red / blue only)

Standard First Block (1.5" NPT bore)

Quick#	Part#	Inlet	Outlets (5)	Color	Price
W744	FB3-FB-1.25-6-R	1.25" NPT	3/8" NPT	Red	\$54.98
W745	FB3-FB-1.25-6-B	1.25" NPT	3/8" NPT	Blue	\$54.98
W504	FB3-FB-1.5-6-R	1.5" NPT	3/8" NPT	Red	\$54.98
W505	FB3-FB-1.5-6-B	1.5" NPT	3/8" NPT	Blue	\$54.98
W746	FB3-FB-1.25-8-R	1.25" NPT	1/2" NPT	Red	\$54.98
W747	FB3-FB-1.25-8-B	1.25" NPT	1/2" NPT	Blue	\$54.98
W506	FB3-FB-1.5-8-R	1.5" NPT	1/2" NPT	Red	\$54.98
W507	FB3-FB-1.5-8-B	1.5" NPT	1/2" NPT	Blue	\$54.98

First Blocks are used in the initial position of a manifold and have a threaded inlet, five outlets, two mounting holes and a groove for the o-ring. (90° First Block has only three outlets)

90° First Block

Quick#	Part#	Inlet	Outlets (3)	Color	Price
W748	FB3-FB90-1.25-6-R	1.25" NPT	3/8" NPT	Red	\$89.83
W749	FB3-FB90-1.25-6-B	1.25" NPT	3/8" NPT	Blue	\$89.83
W534	FB3-FB90-1.5-6-R	1.5" NPT	3/8" NPT	Red	\$89.83
W535	FB3-FB90-1.5-6-B	1.5" NPT	3/8" NPT	Blue	\$89.83
W750	FB3-FB90-1.25-8-R	1.25" NPT	1/2" NPT	Red	\$89.83
W751	FB3-FB90-1.25-8-B	1.25" NPT	1/2" NPT	Blue	\$89.83
W536	FB3-FB90-1.5-8-R	1.5" NPT	1/2" NPT	Red	\$89.83
W537	FB3-FB90-1.5-8-B	1.5" NPT	1/2" NPT	Blue	\$89.83

Mod Block

Quick#	Part#	Thru hole	Outlets (5)	Color	Price
W512	FB3-MOD-6-R	1.5" I.D.	3/8" NPT	Red	\$35.32
W513	FB3-MOD-6-B	1.5" I.D.	3/8" NPT	Blue	\$35.32
W514	FB3-MOD-8-R	1.5" I.D.	1/2" NPT	Red	\$35.32
W515	FB3-MOD-8-B	1.5" I.D.	1/2" NPT	Blue	\$35.32

Mod (Modular) Blocks are the 'everything in between' blocks. Use to create a manifold to your specifications. Features through bore, five outlets, and a groove for the o-ring.



Standard Last Block (clear only)

Kool Flow Water Manifolds

FB3 Series, Individual Components

Last Block (only used in Port-to-Port)

Quick#	Part#	Inlet	Outlets (5)	Color	Price
W520	FB3-LB-1.5-6-CL	1.5" NPT	3/8" NPT	Clear	\$53.14
W522	FB3-LB-1.5-8-CL	1.5" NPT	1/2" NPT	Clear	\$53.14

Last Blocks are used in the final position of a manifold and have a threaded inlet, five outlets, two mounting holes and a groove for the o-ring. (90° Last Block has only three outlets)



90° Last Block (clear only)

90° Last Block (only used in Port-to-Port)

Quick#	Part#	Inlet	Outlets (3)	Color	Price
W521	FB3-LB90-1.5-6-CL	1.5" NPT	3/8" NPT	Clear	\$86.98
W523	FB3-LB90-1.5-8-CL	1.5" NPT	1/2" NPT	Clear	\$86.98

When ordering, use Quick#s to ensure order accuracy.



End Block (clear only)

End Block (only used in Port-to-Blank or Port-to-Divide)

Quick#	Part#	Description	Price
W528	FB3-EB-CL	End Block, Clear	\$28.89

End Blocks are used to create a blank at one end of a manifold or to create a center divider in a combined red / blue manifold. Features one mounting hole.

Individual components can be purchased to reconfigure existing manifolds, or if you wish to assemble your Kool Flow manifold at your facility.



O-rings and hardware required for each block

Hardware for FB3 Series

Quick#	Part#	Description	Price
W739	FB3-SHCS-1	M6 x 1.0 x 30mm SS SHCS (when using 3–6 blocks)	\$0.55
W740	FB3-SHCS-2	M6 x 1.0 x 40mm SS SHCS (when using 1–2 blocks)	\$0.60
W741	FB3-TR-1	M6 Special Tie Rod for Single Block	\$1.09
W760	FB3-TR-2	10-32 Tie Rod for Dual Block	\$2.21
W742	FB3-OR-1	Viton O-Ring for FB3 Series	\$1.48
W743	FB3-SHCS-MNT-1	5/16" x 2 1/2" SS SHCS (for Mounting)	\$0.82

Kool Flow Water Manifolds

FB3 1½" NPT Inlets — Completely assembled and ready to use

Port-to-Divide: Combine hot (red) and cold (blue) into one compact unit, separated by a divider block (end block).

Quick#	Part#	Inlets (2)	Red Outlets	Divider	Blue Outlets	OAL	Price
W642	FB3-1-6-PD	1.5"	(5) ⅜"	Yes	(5) ⅜"	6.0	\$171.00
W643	FB3-2-6-PD	1.5"	(10) ⅜"	Yes	(10) ⅜"	9.0	\$239.00
W644	FB3-3-6-PD	1.5"	(15) ⅜"	Yes	(15) ⅜"	12.0	\$322.00
W645	FB3-4-6-PD	1.5"	(20) ⅜"	Yes	(20) ⅜"	15.0	\$404.00
W646	FB3-5-6-PD	1.5"	(25) ⅜"	Yes	(25) ⅜"	18.0	\$478.00

Quick#	Part#	Inlets (2)	Red Outlets	Divider	Blue Outlets	OAL	Price
W647	FB3-1-8-PD	1.5"	(5) ½"	Yes	(5) ½"	6.0	\$171.00
W648	FB3-2-8-PD	1.5"	(10) ½"	Yes	(10) ½"	9.0	\$239.00
W649	FB3-3-8-PD	1.5"	(15) ½"	Yes	(15) ½"	12.0	\$322.00
W650	FB3-4-8-PD	1.5"	(20) ½"	Yes	(20) ½"	15.0	\$404.00
W651	FB3-5-8-PD	1.5"	(25) ½"	Yes	(25) ½"	18.0	\$478.00

Note: Maximum blocks used in one configuration is five, on either side of divider.

Port-to-Port: Provides ability for separation of hot and cold where two end-located inlets are required.

Quick#	Part#	Inlets (2)	Red Outlets	Gray Outlets	OAL	Price
W652	FB3-2-6-R-PP	1.5"	(5) ⅜"	(5) ⅜"	4.5"	\$144.00
W653	FB3-3-6-R-PP	1.5"	(10) ⅜"	(5) ⅜"	6.0"	\$181.00
W654	FB3-4-6-R-PP	1.5"	(15) ⅜"	(5) ⅜"	7.5"	\$218.00
W655	FB3-5-6-R-PP	1.5"	(20) ⅜"	(5) ⅜"	9.0"	\$259.00

Quick#	Part#	Inlets (2)	Blue Outlets	Gray Outlets	OAL	Price
W656	FB3-2-6-B-PP	1.5"	(5) ⅜"	(5) ⅜"	4.5"	\$144.00
W657	FB3-3-6-B-PP	1.5"	(10) ⅜"	(5) ⅜"	6.0"	\$181.00
W658	FB3-4-6-B-PP	1.5"	(15) ⅜"	(5) ⅜"	7.5"	\$218.00
W659	FB3-5-6-B-PP	1.5"	(20) ⅜"	(5) ⅜"	9.0"	\$259.00

Quick#	Part#	Inlets (2)	Red Outlets	Gray Outlets	OAL	Price
W660	FB3-2-8-R-PP	1.5"	(5) ½"	(5) ½"	4.5"	\$144.00
W661	FB3-3-8-R-PP	1.5"	(10) ½"	(5) ½"	6.0"	\$181.00
W662	FB3-4-8-R-PP	1.5"	(15) ½"	(5) ½"	7.5"	\$218.00
W663	FB3-5-8-R-PP	1.5"	(20) ½"	(5) ½"	9.0"	\$259.00

Quick#	Part#	Inlets (2)	Blue Outlets	Gray Outlets	OAL	Price
W664	FB3-2-8-B-PP	1.5"	(5) ½"	(5) ½"	4.5"	\$144.00
W665	FB3-3-8-B-PP	1.5"	(10) ½"	(5) ½"	6.0"	\$181.00
W666	FB3-4-8-B-PP	1.5"	(15) ½"	(5) ½"	7.5"	\$218.00
W667	FB3-5-8-B-PP	1.5"	(20) ½"	(5) ½"	9.0"	\$259.00

Note: Maximum total blocks used in one configuration is five.



Quick# W643



Quick# W657



Quick# W653

Kool Flow Water Manifolds

FB3 1½" NPT Inlets — Completely assembled and ready to use

Port-to-Blank: This configuration eliminates the end plug and allows mounting to hot and cold manifolds in separate locations.

Quick#	Part#	Inlet (1)	Red Outlets	Gray Outlets	OAL	Price
W668	FB3-1-6-R-PB	1.5"	(5) ¾"	-	3.75"	\$113.00
W669	FB3-2-6-R-PB	1.5"	(10) ¾"	-	5.25"	\$152.00
W670	FB3-3-6-R-PB	1.5"	(15) ¾"	-	6.75"	\$188.00
W671	FB3-4-6-R-PB	1.5"	(20) ¾"	-	8.25"	\$229.00
W672	FB3-5-6-R-PB	1.5"	(25) ¾"	-	9.75"	\$266.00

Quick#	Part#	Inlet (1)	Blue Outlets	Gray Outlets	OAL	Price
W673	FB3-1-6-B-PB	1.5"	(5) ¾"	-	3.75"	\$113.00
W674	FB3-2-6-B-PB	1.5"	(10) ¾"	-	5.25"	\$152.00
W675	FB3-3-6-B-PB	1.5"	(15) ¾"	-	6.75"	\$188.00
W676	FB3-4-6-B-PB	1.5"	(20) ¾"	-	8.25"	\$229.00
W677	FB3-5-6-B-PB	1.5"	(25) ¾"	-	9.75"	\$266.00

Quick#	Part#	Inlet (1)	Red Outlets	Gray Outlets	OAL	Price
W678	FB3-1-8-R-PB	1.5"	(5) ½"	-	3.75"	\$113.00
W679	FB3-2-8-R-PB	1.5"	(10) ½"	-	5.25"	\$152.00
W680	FB3-3-8-R-PB	1.5"	(15) ½"	-	6.75"	\$188.00
W681	FB3-4-8-R-PB	1.5"	(20) ½"	-	8.25"	\$229.00
W682	FB3-5-8-R-PB	1.5"	(25) ½"	-	9.75"	\$266.00

Quick#	Part#	Inlet (1)	Blue Outlets	Gray Outlets	OAL	Price
W683	FB3-1-8-B-PB	1.5"	(5) ½"	-	3.75"	\$113.00
W684	FB3-2-8-B-PB	1.5"	(10) ½"	-	5.25"	\$152.00
W685	FB3-3-8-B-PB	1.5"	(15) ½"	-	6.75"	\$188.00
W686	FB3-4-8-B-PB	1.5"	(20) ½"	-	8.25"	\$229.00
W687	FB3-5-8-B-PB	1.5"	(25) ½"	-	9.75"	\$266.00

Note: Maximum total blocks used in one configuration is six including the end block. All units on this page feature five outlet holes per block except end block, which is blank.



Quick# W669



Quick# W674

When ordering, use Quick#s to ensure order accuracy.

Kool Flow Water Manifolds

FB3 90° 1½" NPT Inlets — Completely assembled and ready to use

90° Port-to-Divide: Combine hot (red) and cold (blue) into one compact unit, separated by a divider block (end block).

Quick#	Part#	Inlets (2)	Red Outlet	Divider	Blue Outlet	OAL	Price
W688	FB390-1-6-PD	90° 1.5"	(3) ¾"	Yes	(3) ¾"	7.5"	\$207.00
W689	FB390-2-6-PD	90° 1.5"	(8) ¾"	Yes	(8) ¾"	10.5"	\$286.00
W690	FB390-3-6-PD	90° 1.5"	(13) ¾"	Yes	(13) ¾"	13.5"	\$359.00
W691	FB390-4-6-PD	90° 1.5"	(18) ¾"	Yes	(18) ¾"	16.5"	\$441.00
W692	FB390-5-6-PD	90° 1.5"	(23) ¾"	Yes	(23) ¾"	19.5"	\$515.00

Quick#	Part#	Inlets (2)	Red Outlet	Divider	Blue Outlet	OAL	Price
W693	FB390-1-8-PD	90° 1.5"	(3) ½"	Yes	(3) ½"	7.5"	\$207.00
W694	FB390-2-8-PD	90° 1.5"	(8) ½"	Yes	(8) ½"	10.5"	\$286.00
W695	FB390-3-8-PD	90° 1.5"	(13) ½"	Yes	(13) ½"	13.5"	\$359.00
W696	FB390-4-8-PD	90° 1.5"	(18) ½"	Yes	(18) ½"	16.5"	\$441.00
W697	FB390-5-8-PD	90° 1.5"	(23) ½"	Yes	(23) ½"	19.5"	\$515.00

Note: Maximum blocks used in one configuration is five, on either side of the divider block.



Quick# W689

90° Port-to-90° Port: Provides ability for separation of hot and cold where two 90° end-located inlets are required.

Quick#	Part#	Inlets (2)	Red Outlet	Gray Outlet	OAL	Price
W698	FB390-2-6-R-PP	90° 1.5"	(3) ¾"	(3) ¾"	6.0"	\$186.00
W699	FB390-3-6-R-PP	90° 1.5"	(8) ¾"	(3) ¾"	7.5"	\$225.00
W700	FB390-4-6-R-PP	90° 1.5"	(13) ¾"	(3) ¾"	9.0"	\$262.00
W701	FB390-5-6-R-PP	90° 1.5"	(18) ¾"	(3) ¾"	10.5"	\$303.00

Quick#	Part#	Inlets (2)	Blue Outlet	Gray Outlet	OAL	Price
W702	FB390-2-6-B-PP	90° 1.5"	(3) ¾"	(3) ¾"	6.0"	\$186.00
W703	FB390-3-6-B-PP	90° 1.5"	(8) ¾"	(3) ¾"	7.5"	\$225.00
W704	FB390-4-6-B-PP	90° 1.5"	(13) ¾"	(3) ¾"	9.0"	\$262.00
W705	FB390-5-6-B-PP	90° 1.5"	(18) ¾"	(3) ¾"	10.5"	\$303.00

Quick#	Part#	inlets (2)	Red Outlet	Gray Outlet	OAL	Price
W706	FB390-2-8-R-PP	90° 1.5"	(3) ½"	(3) ½"	6.0"	\$186.00
W707	FB390-3-8-R-PP	90° 1.5"	(8) ½"	(3) ½"	7.5"	\$225.00
W708	FB390-4-8-R-PP	90° 1.5"	(13) ½"	(3) ½"	9.0"	\$262.00
W709	FB390-5-8-R-PP	90° 1.5"	(18) ½"	(3) ½"	10.5"	\$303.00

Quick#	Part#	Inlet	Blue Outlet	Gray Outlet	OAL	Price
W710	FB390-2-8-B-PP	90° 1.5"	(3) ½"	(3) ½"	6.0"	\$186.00
W711	FB390-3-8-B-PP	90° 1.5"	(8) ½"	(3) ½"	7.5"	\$225.00
W712	FB390-4-8-B-PP	90° 1.5"	(13) ½"	(3) ½"	9.0"	\$262.00
W713	FB390-5-8-B-PP	90° 1.5"	(18) ½"	(3) ½"	10.5"	\$303.00

Note: Maximum total blocks used in one configuration is five.



Quick# W699



Quick# W703

Kool Flow Water Manifolds

FB3 90° 1½" NPT Inlets — Completely assembled and ready to use

90° Port-to-Blank: All units on this page feature five outlet holes per block except end block, which is blank and 90° blocks which have three outlet holes.

Quick#	Part#	Inlet (1)	Red Outlet	Gray Outlet	OAL	Price
W714	FB390-1-6-R-PB	90° 1.5"	(3) ⅜"	-	4.5"	\$131.00
W715	FB390-2-6-R-PB	90° 1.5"	(8) ⅜"	-	6.0"	\$170.00
W716	FB390-3-6-R-PB	90° 1.5"	(13) ⅜"	-	7.5"	\$207.00
W717	FB390-4-6-R-PB	90° 1.5"	(18) ⅜"	-	9.0"	\$248.00
W718	FB390-5-6-R-PB	90° 1.5"	(23) ⅜"	-	10.5"	\$285.00

Quick#	Part#	Inlet (1)	Blue Outlet	Gray Outlet	OAL	Price
W719	FB390-1-6-B-PB	90° 1.5"	(3) ⅜"	-	4.5"	\$131.00
W720	FB390-2-6-B-PB	90° 1.5"	(8) ⅜"	-	6.0"	\$170.00
W721	FB390-3-6-B-PB	90° 1.5"	(13) ⅜"	-	7.5"	\$207.00
W722	FB390-4-6-B-PB	90° 1.5"	(18) ⅜"	-	9.0"	\$248.00
W723	FB390-5-6-B-PB	90° 1.5"	(23) ⅜"	-	10.5"	\$285.00

Quick#	Part#	Inlet (1)	Red Outlet	Gray Outlet	OAL	Price
W724	FB390-1-8-R-PB	90° 1.5"	(3) ½"	-	4.5"	\$131.00
W725	FB390-2-8-R-PB	90° 1.5"	(8) ½"	-	6.0"	\$170.00
W726	FB390-3-8-R-PB	90° 1.5"	(13) ½"	-	7.5"	\$207.00
W727	FB390-4-8-R-PB	90° 1.5"	(18) ½"	-	9.0"	\$248.00
W728	FB390-5-8-R-PB	90° 1.5"	(23) ½"	-	10.5"	\$285.00

Quick#	Part#	Inlet (1)	Blue Outlet	Gray Outlet	OAL	Price
W729	FB390-1-8-B-PB	90° 1.5"	(3) ½"	-	4.5"	\$131.00
W730	FB390-2-8-B-PB	90° 1.5"	(8) ½"	-	6.0"	\$170.00
W731	FB390-3-8-B-PB	90° 1.5"	(13) ½"	-	7.5"	\$207.00
W732	FB390-4-8-B-PB	90° 1.5"	(18) ½"	-	9.0"	\$248.00
W733	FB390-5-8-B-PB	90° 1.5"	(23) ½"	-	10.5"	\$285.00

Note: Maximum total blocks used in one configuration is six, including the end block.



Quick# W720



Quick# W715



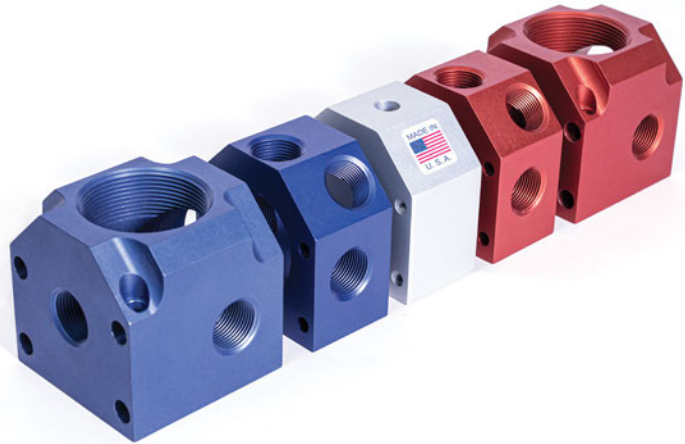
See pages 161–165 for
hose, fittings, valves,
and end plugs

Kool Flow Water Manifolds

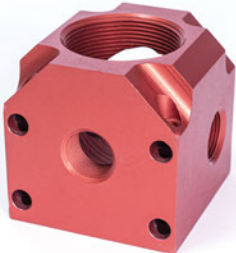
FB4 Series, Individual Components

Specifications:

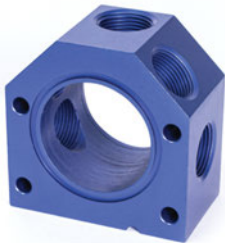
- Block size: 3.50" W x 3.50" H
- Material: 6061-T6, Anodized
- Mounting hole size: 5/16" SHCS
- Inlet hole: 2" NPT
- Outlet holes: 3/4"
- Five outlet holes standard per block
(Three outlet holes standard on 90° blocks)
- 400°F temperature range



Standard First Block (red / blue only)



90° First Block (red / blue only)



Mod Block (red / blue only)



End Block (clear only)

Standard First Block (2" NPT bore)

Quick#	Part#	Inlet	Outlets (5)	Color	Price
W752	FB4-FB-2-10-R	2" NPT	3/4" NPT	Red	\$75.01
W753	FB4-FB-2-10-B	2" NPT	3/4" NPT	Blue	\$75.01

First Blocks are used in the initial position of a manifold and have a threaded inlet, five outlets, two mounting holes and a groove for the o-ring. (90° First Block has only three outlets)

90° First Block

Quick#	Part#	Inlet	Outlets (3)	Color	Price
W754	FB4-FB90-2-10-R	2" NPT	3/4" NPT	Red	\$103.54
W755	FB4-FB90-2-10-B	2" NPT	3/4" NPT	Blue	\$103.54

Mod Block

Quick#	Part#	Thru hole	Outlets (5)	Color	Price
W756	FB4-MOD-10-R	2" NPT	3/4" NPT	Red	\$58.37
W757	FB4-MOD-10-B	2" NPT	3/4" NPT	Blue	\$58.37

Mod (Modular) Blocks are the 'everything in between' blocks. Use to create a manifold to your specifications. Features through bore, five outlets, and a groove for the o-ring.

End Block (only used in Port-to-Blank or Port-to-Divide)

Quick#	Part#	Description	Price
W758	FB4-MIDB-2	End Block, Clear	\$49.47

End Blocks are used to create a blank at one end of a manifold or to create a center divider in a combined red / blue manifold. Features one mounting hole.

Kool Flow Water Manifolds

FB4 Series, hardware

Hardware for FB4 Series

Quick#	Part#	Description	Price
W739	FB3-SHCS-1	M6 x 1.0 x 30mm SS SHCS (when using 3–6 blocks)	\$0.55
W740	FB3-SHCS-2	M6 x 1.0 x 40mm SS SHCS (when using 1–2 blocks)	\$0.60
W772	FB4-TR-1	M6 Tie Rod for Single Block FB4 Series	\$1.87
W773	FB4-TR-2	M6 Tie Rod for Dual Block FB4 Series	\$2.75
W771	FB4-OR-1	Viton O-Ring for FB4 Series	\$1.70
W774	FB4-SHCS-MNT-1	5/16" - 18 x 3" SS SHCS (for Mounting)	\$0.88
W775	FB4-SHCS-1	M6x1x25mm SS SHCS (for Mounting)	\$0.49
W776	FB4-SHCS-2	M6x1x45mm SS SHCS (for Mounting)	\$0.61



When ordering, use Quick#s to ensure order accuracy.

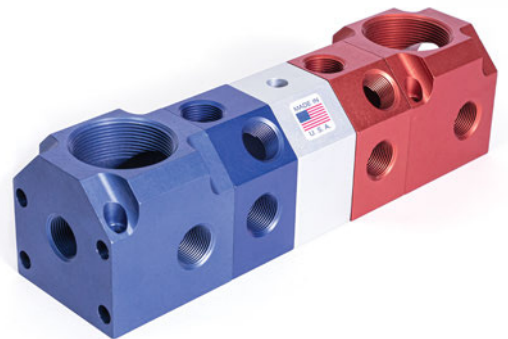
Individual components can be purchased to reconfigure existing manifolds, or if you wish to assemble your Kool Flow manifold at your facility.

Kool Flow Water Manifolds

FB4 2" NPT Inlets — Completely assembled and ready to use

Port-to-Divide: Combine hot (red) and cold (blue) into one compact unit, separated by a divider block (end block).

Quick#	Part#	Inlets (2)	Red Outlets	Divider	Blue Outlets	OAL	Price
W761	FB4-1-10-PD	2"	(5) 3/4"	Yes	(5) 3/4"	7.0"	\$224.00
W762	FB4-2-10-PD	2"	(10) 3/4"	Yes	(10) 3/4"	11.0"	\$355.00
W763	FB4-3-10-PD	2"	(15) 3/4"	Yes	(15) 3/4"	15.0"	\$486.00
W764	FB4-4-10-PD	2"	(20) 3/4"	Yes	(20) 3/4"	19.0"	\$611.00
W765	FB4-5-10-PD	2"	(25) 3/4"	Yes	(25) 3/4"	23.0"	\$742.00



90° Port-to-Divide: Combine hot (red) and cold (blue) into one compact unit, separated by a divider block (end block).

Quick#	Part#	Inlets (2)	Red Outlet	Divider	Blue Outlet	OAL	Price
W766	FB490-1-10-PD	90° 2"	(3) 3/4"	Yes	(3) 3/4"	7.5"	\$325.00
W767	FB490-2-10-PD	90° 2"	(8) 3/4"	Yes	(8) 3/4"	10.5"	\$410.00
W768	FB490-3-10-PD	90° 2"	(13) 3/4"	Yes	(13) 3/4"	13.5"	\$501.00
W769	FB490-4-10-PD	90° 2"	(18) 3/4"	Yes	(18) 3/4"	16.5"	\$607.00
W770	FB490-5-10-PD	90° 2"	(23) 3/4"	Yes	(23) 3/4"	19.5"	\$711.00

Note: Greater number of ports may be possible, please inquire.