

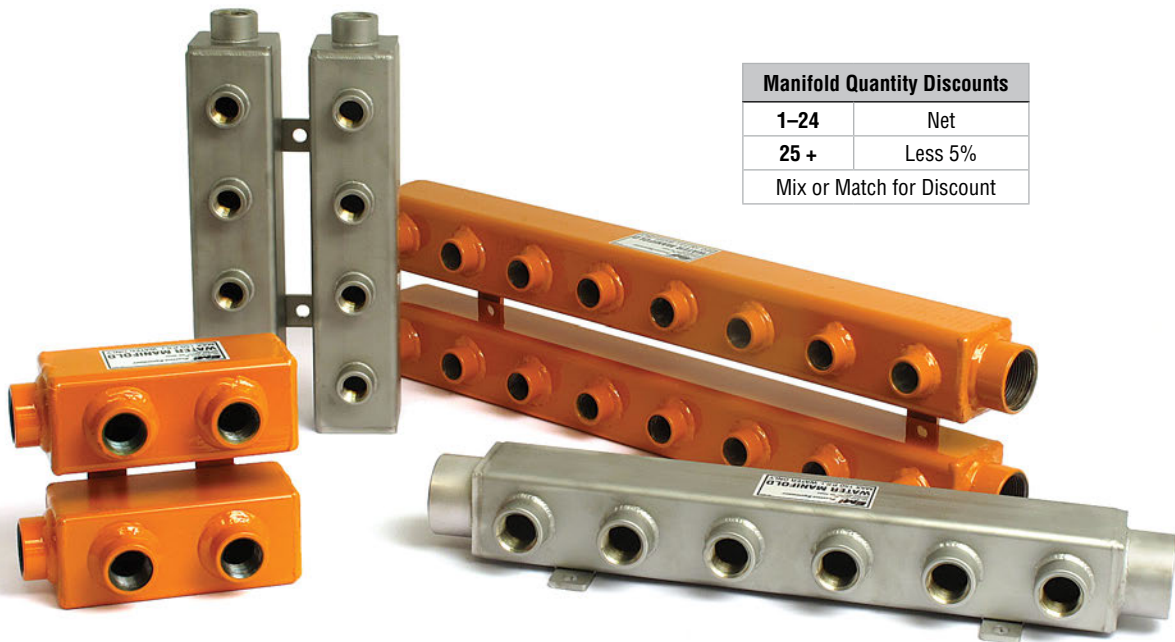
Powder Coated Steel and Stainless Steel Manifolds

All powder coated and stainless manifolds are STOCKED for immediate shipment!

EMI's **Stainless Steel & Powder Coated Steel Water Manifolds** help you increase cycles through more efficient water distribution. They can reduce the number of hoses to the mold and help to keep hoses tidy. Plus, they can be mounted close to the mold to provide maximum flow volumes. Couplings are spaced on centers of 2 3/4" to provide room for ball valves and quick disconnect fittings.

Since stainless steel will not corrode, and they work well if your plant has poor water quality. The extra investment pays off fast in lower maintenance.

[Can't find the size you need? Click here to download our Order Form!](#)



Manifold Quantity Discounts	
1-24	Net
25 +	Less 5%
Mix or Match for Discount	

Powder Coated Steel and Stainless Steel Manifold Models:



4 Outlets with 3/4" NPT, & 1" NPT End Ports, Page 82



4 Outlets with 3/4" NPT, & 1" NPT End Ports, Page 83
(with middle divider plate)



4 Outlets with 1/2" NPT, & 3/4" NPT End Ports, Page 84
4 Outlets with 1/2" NPT, & 1" NPT End Ports, Page 85
4 Outlets with 3/4" NPT, & 1 1/2" NPT End Ports, Page 86

Water Manifold Overview

Powder Coated Steel and Stainless Steel Manifold Models:



6 Outlets with 1/2" NPT, & 3/4" NPT End Ports, Page 87
 6 Outlets with 1/2" NPT, & 1" NPT End Ports, Page 88
 6 Outlets with 3/4" NPT, & 1 1/2" NPT End Ports, Page 89



8 Outlets with 1/2" NPT, & 3/4" NPT End Ports, Page 90
 (with middle divider plate)



8 Outlets with 1/2" NPT, & 1 1/4" NPT End Ports, Page 91
 8 Outlets with 3/4" NPT, & 1 1/4" NPT End Ports, Page 92
 8 Outlets with 3/4" NPT, & 1 1/2" NPT End Ports, Page 93



8 Outlets with 1/2" NPT, & 3/4" NPT End Ports, Page 94
 8 Outlets with 1/2" NPT, & 1" NPT End Ports, Page 95
 8 Outlets with 3/4" NPT, & 1" NPT End Ports, Page 96



10 Outlets with 3/4" NPT, & 1 1/2" NPT End Ports, Page 97



12 Outlets with 1/2" NPT, & 1" NPT End Ports, Page 98
 12 Outlets with 3/4" NPT, & 1" NPT End Ports, Page 99



16 Outlets with 1/2" NPT, & 1 1/4" NPT End Ports, Page 100
 16 Outlets with 3/4" NPT, & 1 1/4" NPT End Ports, Page 101
 16 Outlets with 3/4" NPT, & 1 1/2" NPT End Ports, Page 102



20 Outlets with 3/4" NPT, & 1 1/2" NPT End Ports, Page 103

Water Manifolds

4 Outlet Manifold with 1" NPT End Ports

3/4" NPT Outlets

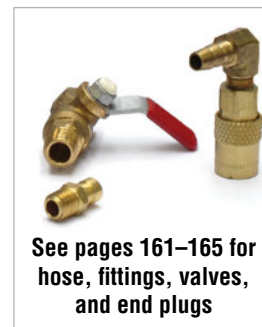
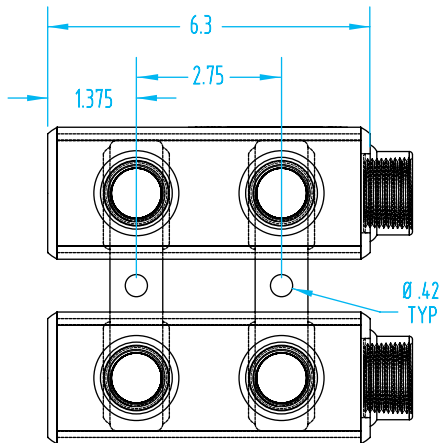
Features:

- Stainless Steel water manifolds reduce overall manifold expenses with durable construction for maximum service life in any molding environment.
- Powder coated manifolds are manufactured from heavy-gauge mild steel.
- Threaded couplings are welded in place.
- Pre-drilled mounting brackets for easy mounting.
- Pressure rated to 120 psi.
- Temperature rated to 300°F.

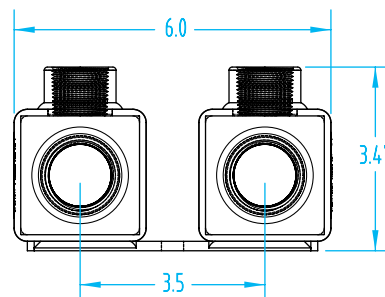
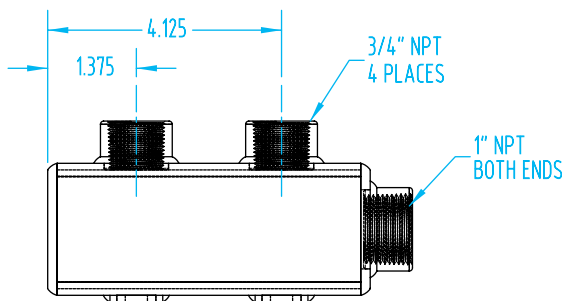


Quick#	Part#	Steel Type	Price
W065	CWM-L-2S2	Powder Coated	\$72
W066	CWM-L-2S2-CR	Stainless	\$170

Need something custom? Download Double Tube Order Form here.



See pages 161–165 for hose, fittings, valves, and end plugs



Water Manifolds

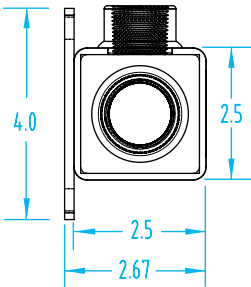
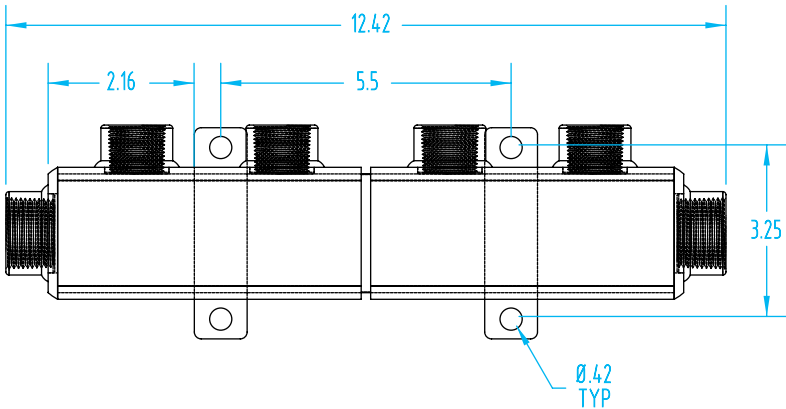
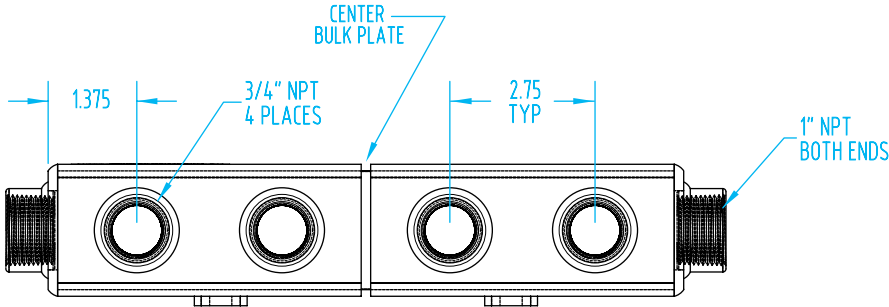
4 Outlet Manifold with 1" NPT End Ports
 3/4" NPT Outlets



***Note: With Center Bulk Plate Divider**

Quick#	Part#	Steel Type	Price
W059	CWM-L-22	Powder Coated	\$70
W060	CWM-L-22-CR	Stainless	\$139

Need something custom? Download Single Tube Order Form here.



Water Manifolds

4 Outlet Manifold with 3/4" NPT End Ports

1/2" NPT Outlets

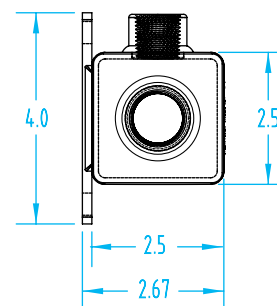
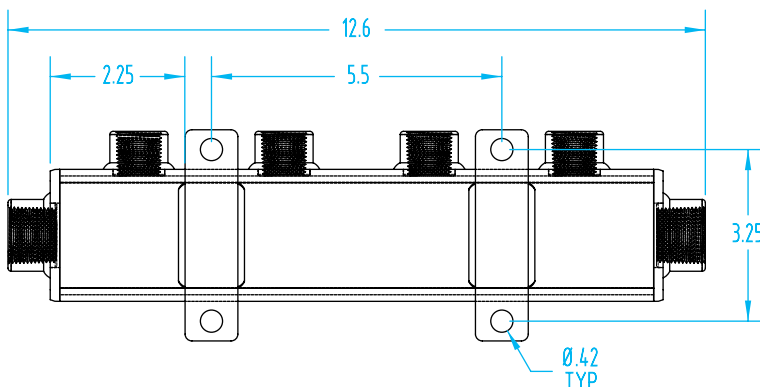
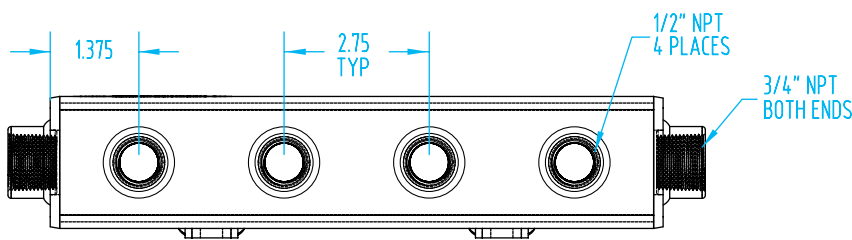
Features:

- Stainless Steel water manifolds reduce overall manifold expenses with durable construction for maximum service life in any molding environment.
- Powder coated manifolds are manufactured from heavy-gauge mild steel.
- Threaded couplings are welded in place.
- Pre-drilled mounting brackets for easy mounting.
- Pressure rated to 120 psi.
- Temperature rated to 300°F.



Quick#	Part#	Steel Type	Price
W057	CWM-4	Powder Coated	\$62
W058	CWM-4-CR	Stainless	\$117

Need something custom? Download Single Tube Order Form here.



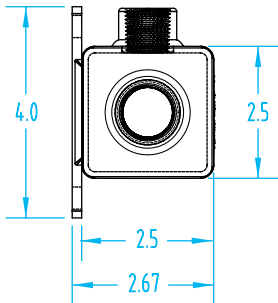
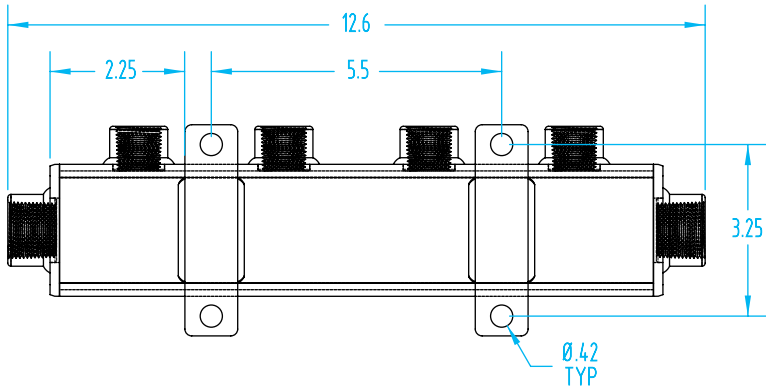
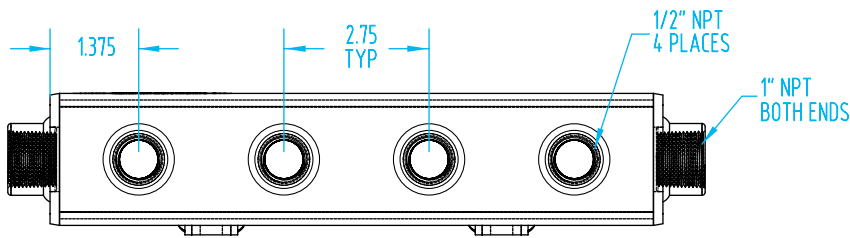
Water Manifolds

4 Outlet Manifold with 1" NPT End Ports
1/2" NPT Outlets



Quick#	Part#	Steel Type	Price
W400	CWM1-4-50	Powder Coated	\$68
W401	CWM1-4-50-CR	Stainless	\$122

Need something custom? Download Single Tube Order Form here.



Water Manifolds

4 Outlet Manifold with 1½" NPT End Ports

¾" NPT Outlets

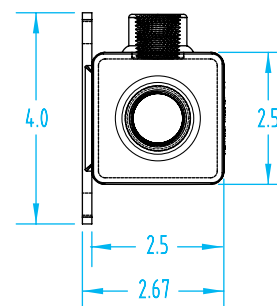
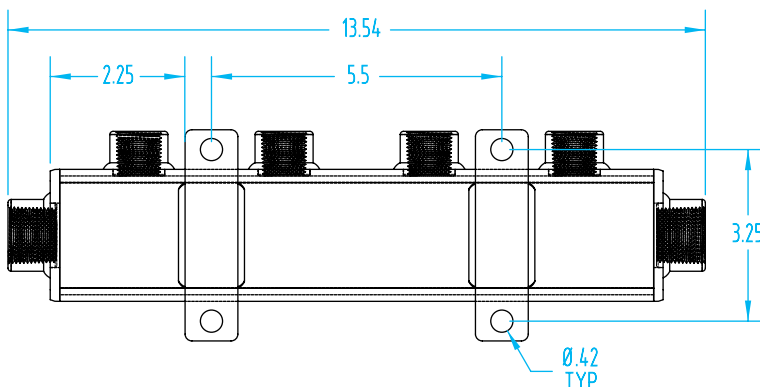
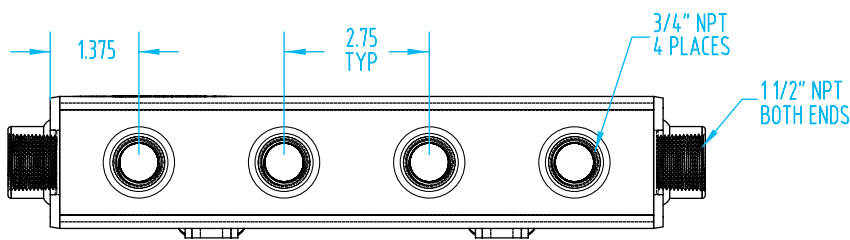
Features:

- Stainless Steel water manifolds reduce overall manifold expenses with durable construction for maximum service life in any molding environment.
- Powder coated manifolds are manufactured from heavy-gauge mild steel.
- Threaded couplings are welded in place.
- Pre-drilled mounting brackets for easy mounting.
- Pressure rated to 120 psi.
- Temperature rated to 300°F.



Quick#	Part#	Steel Type	Price
W402	CWM15-4-75	Powder Coated	\$75
W403	CWM15-4-75-CR	Stainless	\$130

Need something custom? Download Single Tube Order Form here.



Water Manifolds

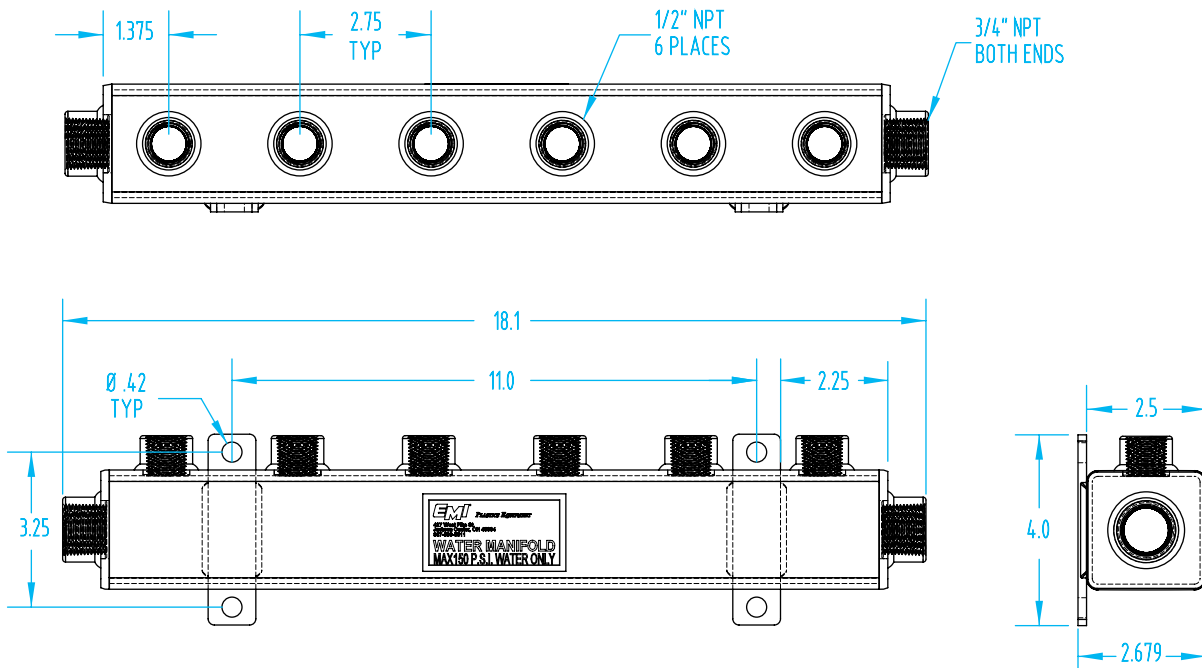
6 Outlet Manifold with 3/4" NPT End Ports

1/2" NPT Outlets



Quick#	Part#	Steel Type	Price
W404	CWM75-6-50	Powder Coated	\$91
W405	CWM75-6-50-CR	Stainless	\$166

Need something custom? [Download Single Tube Order Form here.](#)



Water Manifolds

6 Outlet Manifold with 1" NPT End Ports

½" NPT Outlets

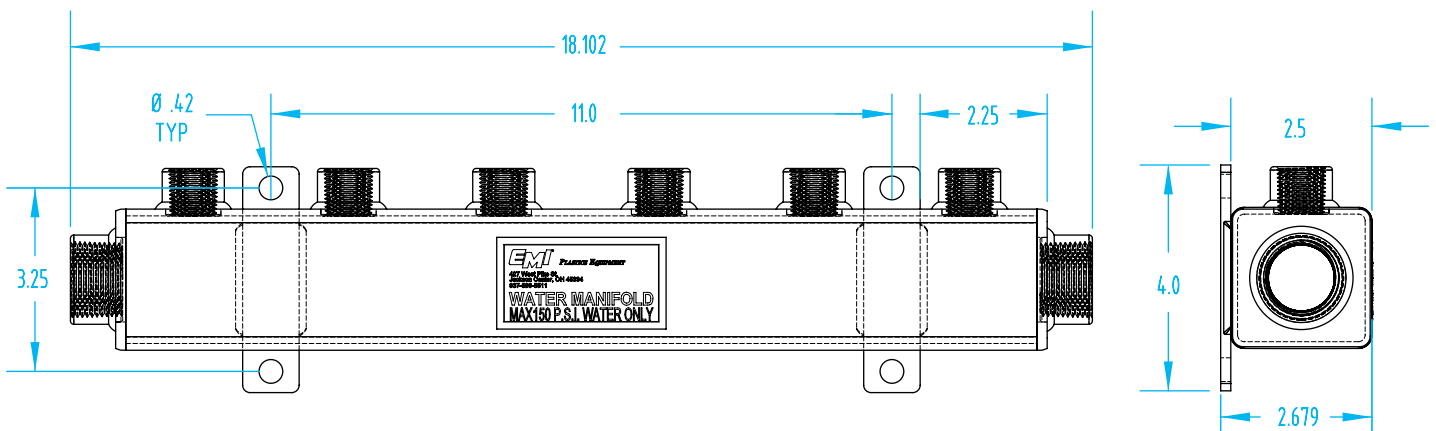
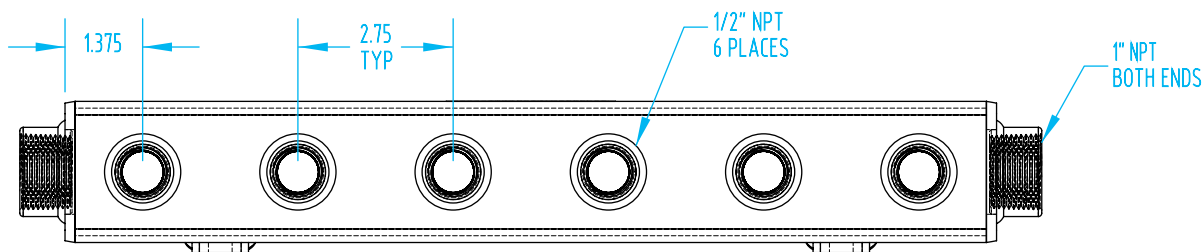
Features:

- Stainless Steel water manifolds reduce overall manifold expenses with durable construction for maximum service life in any molding environment.
- Powder coated manifolds are manufactured from heavy-gauge mild steel.
- Threaded couplings are welded in place.
- Pre-drilled mounting brackets for easy mounting.
- Pressure rated to 120 psi.
- Temperature rated to 300°F.



Quick#	Part#	Steel Type	Price
W406	CWM1-6-50	Powder Coated	\$91
W407	CWM1-6-50-CR	Stainless	\$166

Need something custom? Download Single Tube Order Form here.



Water Manifolds

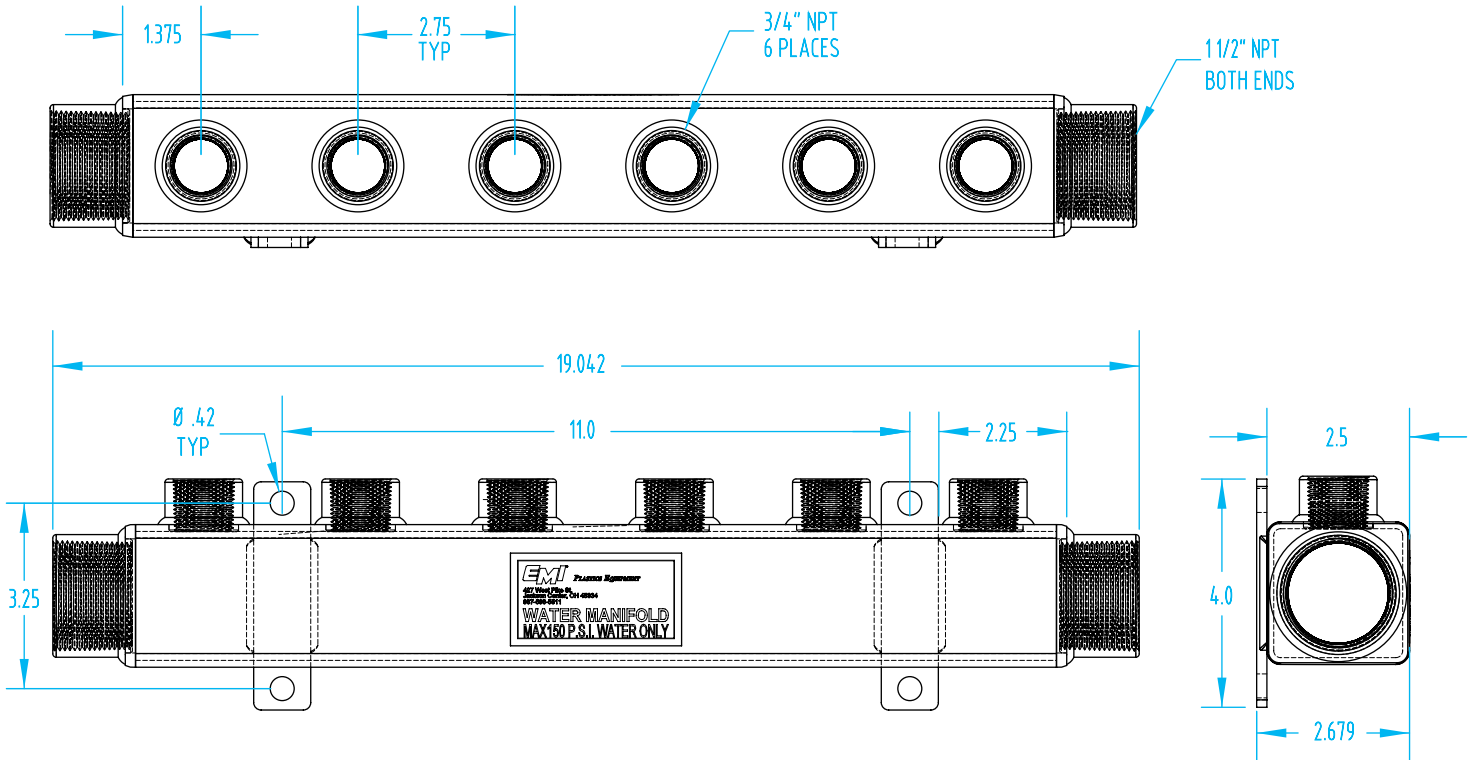
6 Outlet Manifold with 1½" NPT End Ports
¾" NPT Outlets



Quick#	Part#	Steel Type	Price
W408	CWM15-6-75	Powder Coated	\$105
W409	CWM15-6-75-CR	Stainless	\$194

Need something custom? [Download Single Tube Order Form here.](#)

When ordering, use Quick#s to ensure order accuracy.



Water Manifolds

8 Outlet Manifold with 3/4" NPT End Ports

1/2" NPT Outlets

Features:

- Stainless Steel water manifolds reduce overall manifold expenses with durable construction for maximum service life in any molding environment.
- Powder coated manifolds are manufactured from heavy-gauge mild steel.
- Threaded couplings are welded in place.
- Pre-drilled mounting brackets for easy mounting.
- Pressure rated to 120 psi.
- Temperature rated to 300°F.



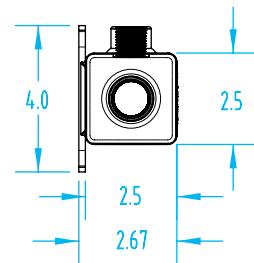
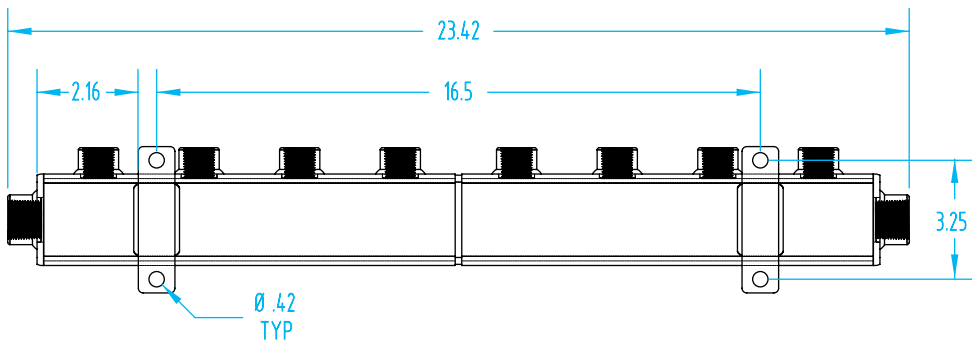
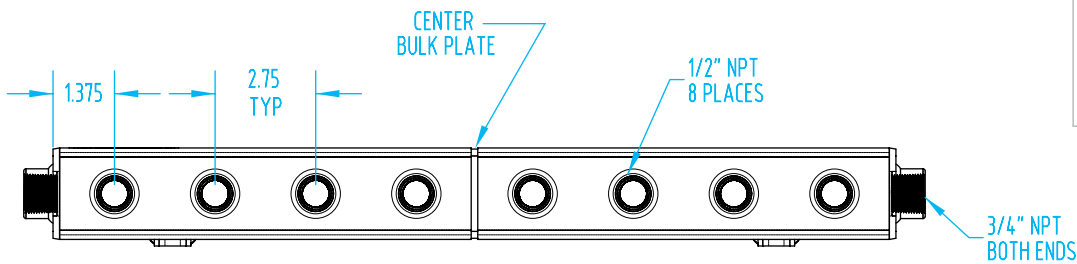
***Note: With Center Bulk Plate Divider**

Quick#	Part#	Steel Type	Price
W071	CWM-44	Powder Coated	\$94
W072	CWM-44-CR	Stainless	\$212

Need something custom? Download Single Tube Order Form here.



See pages 161–165 for hose, fittings, valves, and end plugs



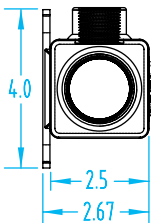
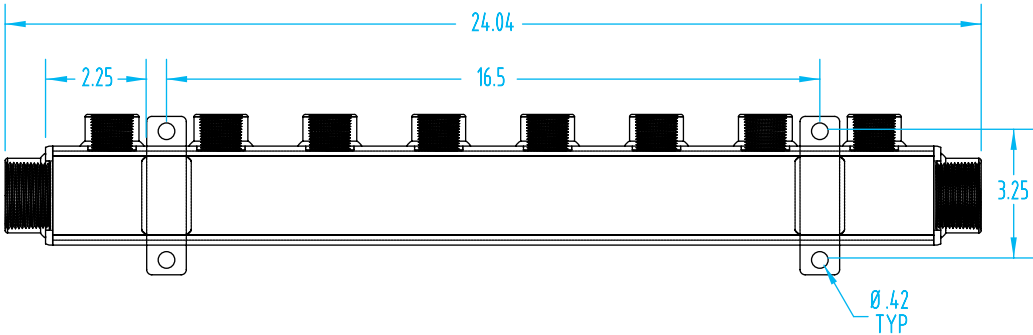
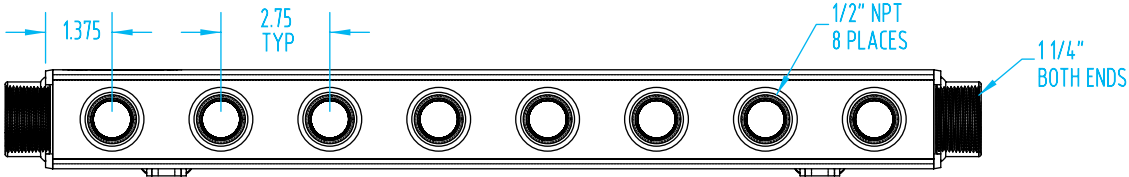
Water Manifolds

8 Outlet Manifold with 1 1/4" NPT End Ports
1/2" NPT Outlets



Quick#	Part#	Steel Type	Price
W410	CWM125-8A-50	Powder Coated	\$91
W411	CWM125-8A-50-CR	Stainless	\$195

Need something custom? [Download Single Tube Order Form here.](#)



Water Manifolds

8 Outlet Manifold with 1 1/4" NPT End Ports

3/4" NPT Outlets

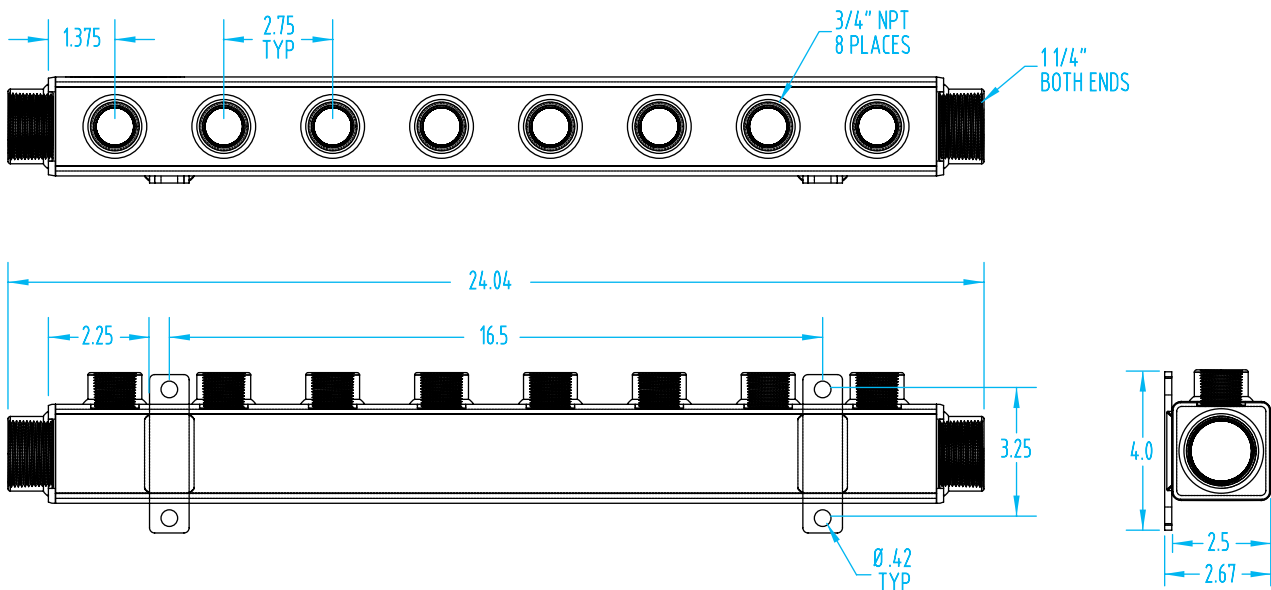
Features:

- Stainless Steel water manifolds reduce overall manifold expenses with durable construction for maximum service life in any molding environment.
- Powder coated manifolds are manufactured from heavy-gauge mild steel.
- Threaded couplings are welded in place.
- Pre-drilled mounting brackets for easy mounting.
- Pressure rated to 120 psi.
- Temperature rated to 300°F.



Quick#	Part#	Steel Type	Price
W069	CWM-8A	Powder Coated	\$94
W070	CWM-8A-CR	Stainless	\$198

Need something custom? Download Single Tube Order Form here.



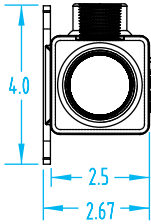
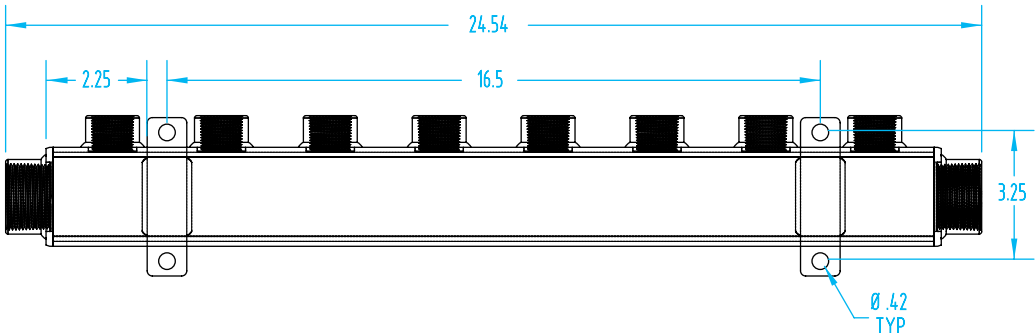
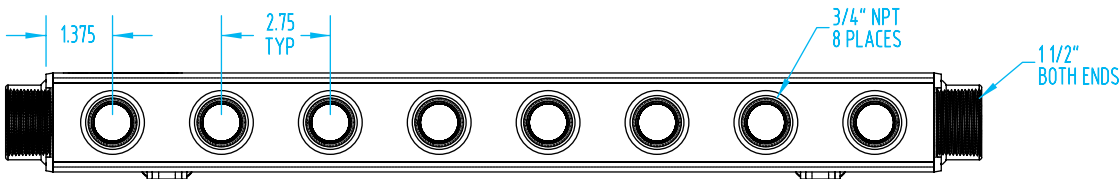
Water Manifolds

8 Outlet Manifold with 1 1/2" NPT End Ports
3/4" NPT Outlets



Quick#	Part#	Steel Type	Price
W384	CWM15-8A-75	Powder Coated	\$105
W385	CWM15-8A-75-CR	Stainless	\$208

Need something custom? Download Single Tube Order Form here.



Water Manifolds

8 Outlet Manifold with 3/4" NPT End Ports

1/2" NPT Outlets

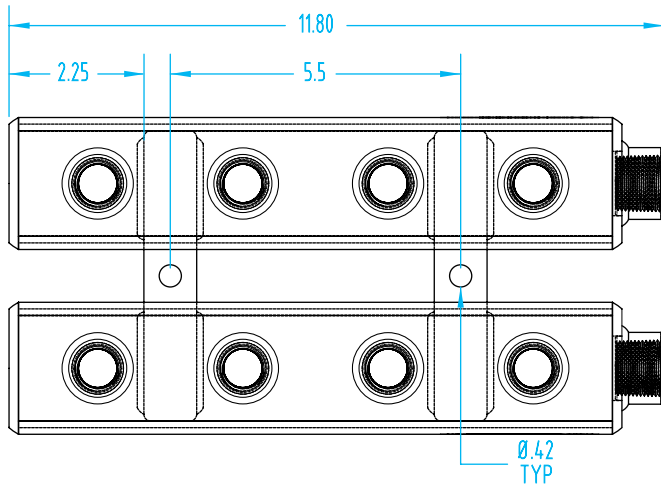
Features:

- Stainless Steel water manifolds reduce overall manifold expenses with durable construction for maximum service life in any molding environment.
- Powder coated manifolds are manufactured from heavy-gauge mild steel.
- Threaded couplings are welded in place.
- Pre-drilled mounting brackets for easy mounting.
- Pressure rated to 120 psi.
- Temperature rated to 300°F.

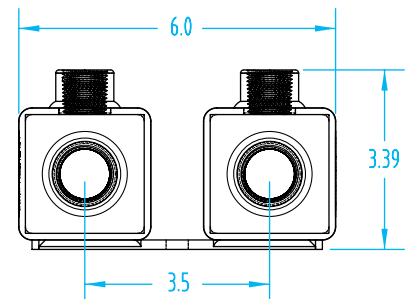
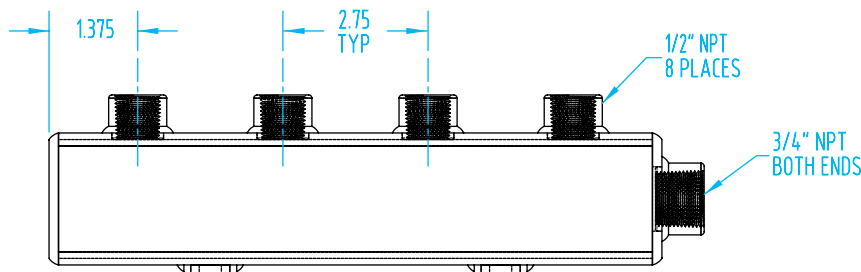


Quick#	Part#	Steel Type	Price
W063	CWM-4S4	Powder Coated	\$100
W064	CWM-4S4-CR	Stainless	\$244

Need something custom? Download Double Tube Order Form here.



See pages 161–165 for hose, fittings, valves, and end plugs



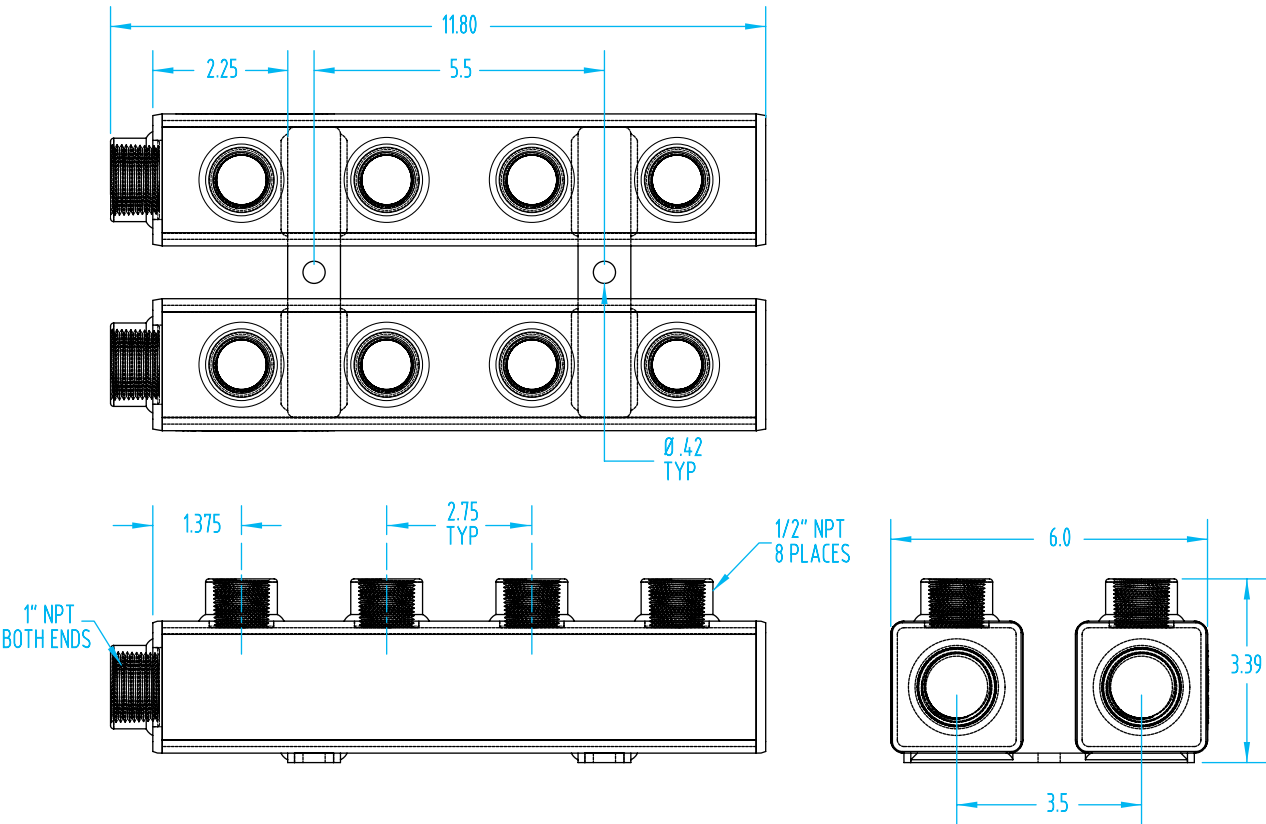
Water Manifolds

8 Outlet Manifold with 1" NPT End Ports
 1/2" NPT Outlets



Quick#	Part#	Steel Type	Price
W388	CWM1-4S4-50	Powder Coated	\$98
W389	CWM1-4S4-50-CR	Stainless	\$244

Need something custom? Download Double Tube Order Form here.



Water Manifolds

8 Outlet Manifold with 1" NPT End Ports

3/4" NPT Outlets

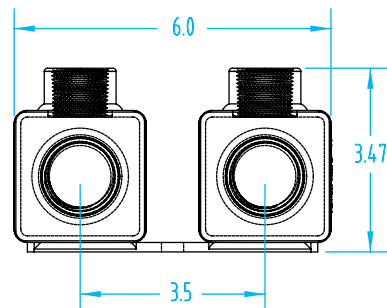
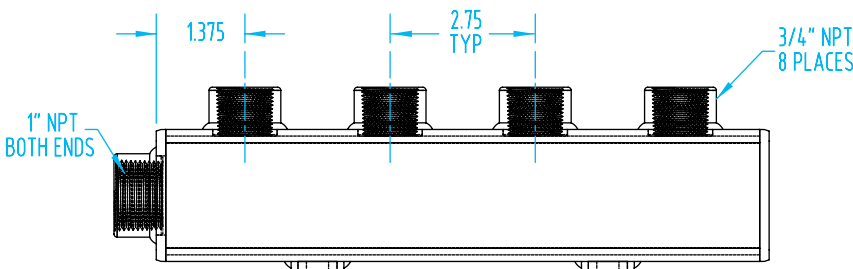
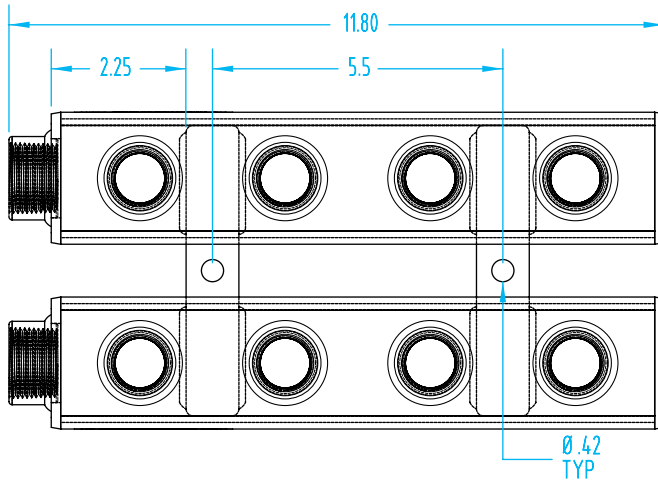
Features:

- Stainless Steel water manifolds reduce overall manifold expenses with durable construction for maximum service life in any molding environment.
- Powder coated manifolds are manufactured from heavy-gauge mild steel.
- Threaded couplings are welded in place.
- Pre-drilled mounting brackets for easy mounting.
- Pressure rated to 120 psi.
- Temperature rated to 300°F.



Quick#	Part#	Steel Type	Price
W061	CWM-L-4S4	Powder Coated	\$98
W062	CWM-L-4S4-CR	Stainless	\$244

Need something custom? Download Double Tube Order Form here.



Water Manifolds

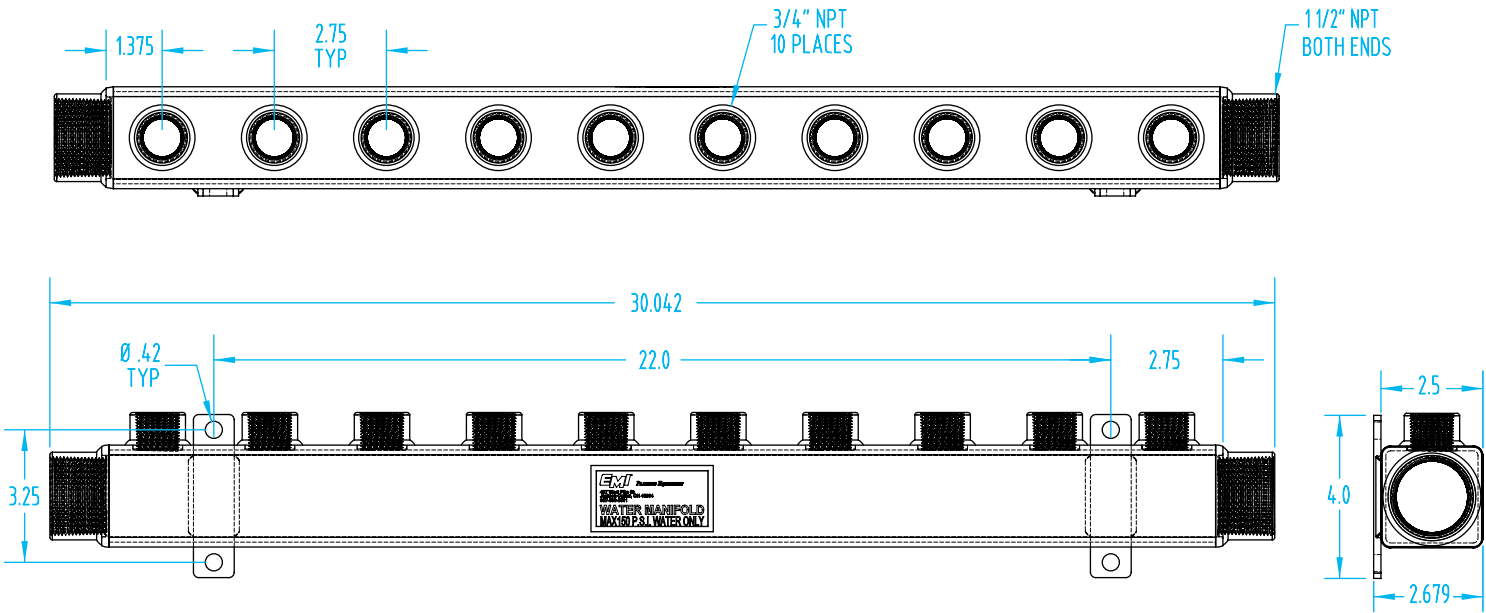
10 Outlet Manifold with 1½" NPT End Ports
¾" NPT Outlets



Quick#	Part#	Steel Type	Price
W390	CWM15-10-75	Powder Coated	\$120
W391	CWM15-10-75-CR	Stainless	\$247

Need something custom? Download Single Tube Order Form here.

When ordering, use Quick#s to ensure order accuracy.



Water Manifolds

12 Outlet Manifold with 1" NPT End Ports

½" NPT Outlets

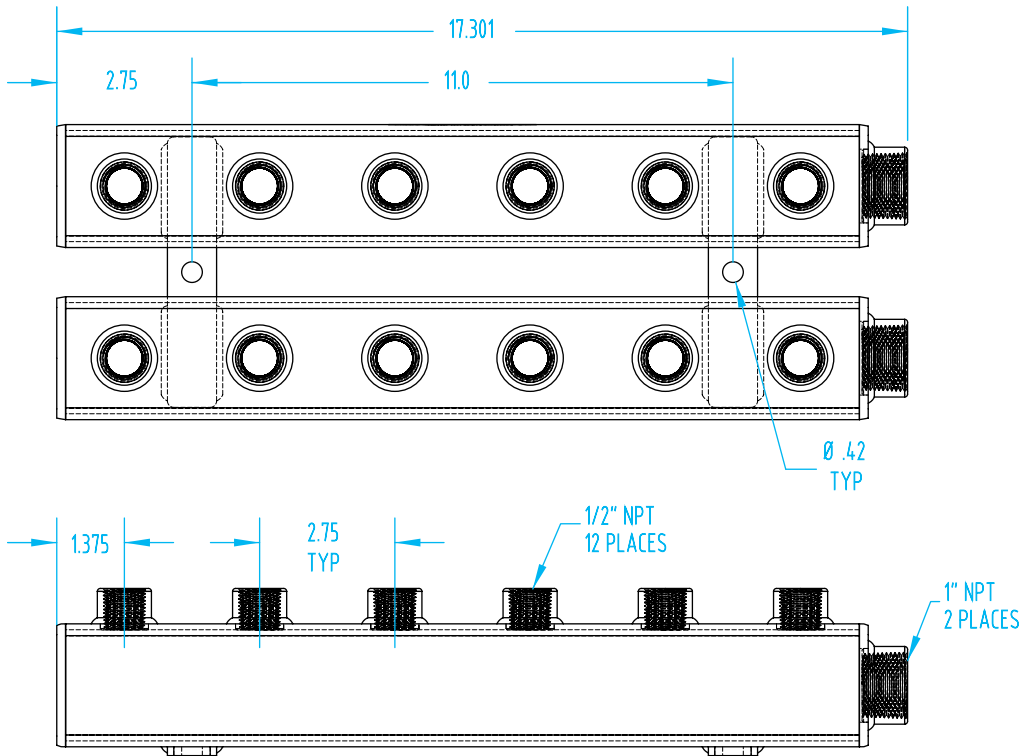
Features:

- Stainless Steel water manifolds reduce overall manifold expenses with durable construction for maximum service life in any molding environment.
- Powder coated manifolds are manufactured from heavy-gauge mild steel.
- Threaded couplings are welded in place.
- Pre-drilled mounting brackets for easy mounting.
- Pressure rated to 120 psi.
- Temperature rated to 300°F.

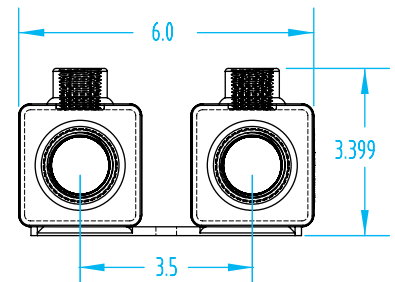


Quick#	Part#	Steel Type	Price
W392	CWM1-6S6-50	Powder Coated	\$147
W393	CWM1-6S6-50-CR	Stainless	\$320

Need something custom? Download Double Tube Order Form here.



See pages 161–165 for hose, fittings, valves, and end plugs



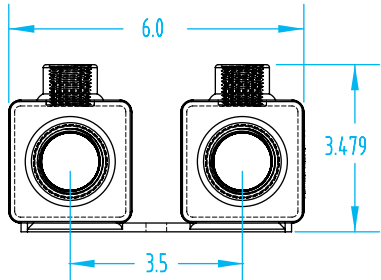
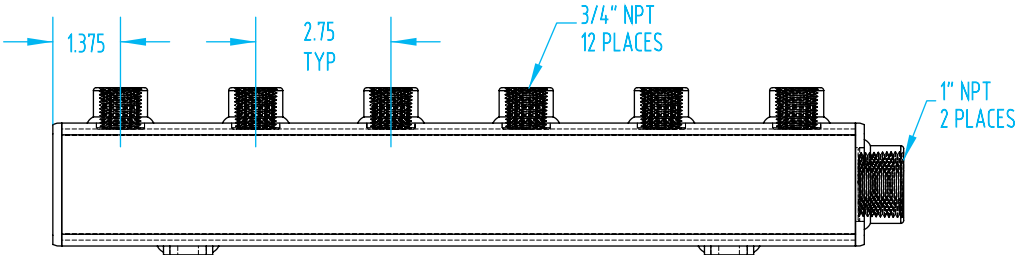
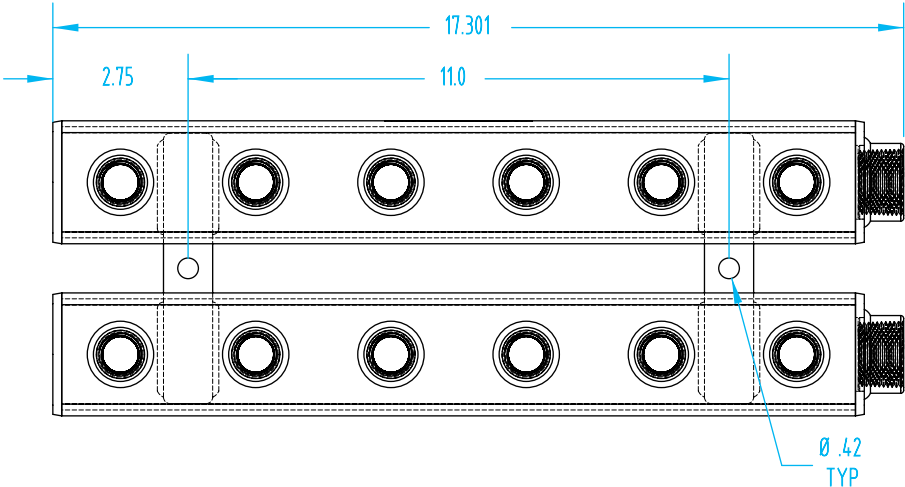
Water Manifolds

12 Outlet Manifold with 1" NPT End Ports
 3/4" NPT Outlets



Quick#	Part#	Steel Type	Price
W394	CWM1-6S6-75	Powder Coated	\$155
W395	CWM1-6S6-75-CR	Stainless	\$328

Need something custom? Download Double Tube Order Form here.



Water Manifolds

16 Outlet Manifold with 1 1/4" NPT End Ports

1/2" NPT Outlets

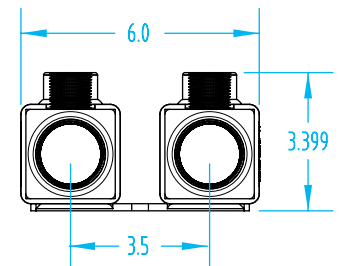
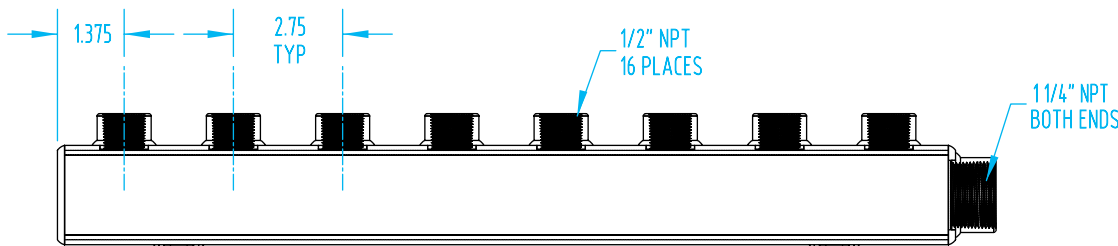
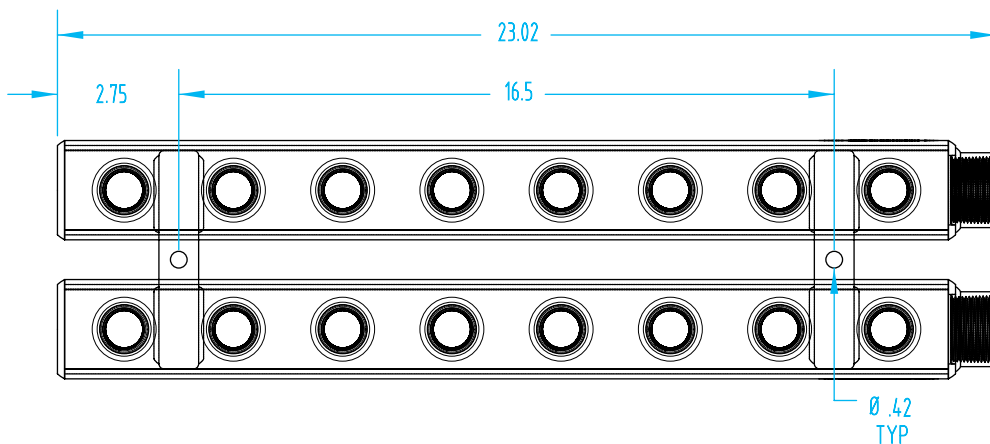
Features:

- Stainless Steel water manifolds reduce overall manifold expenses with durable construction for maximum service life in any molding environment.
- Powder coated manifolds are manufactured from heavy-gauge mild steel.
- Threaded couplings are welded in place.
- Pre-drilled mounting brackets for easy mounting.
- Pressure rated to 120 psi.
- Temperature rated to 300°F.



Quick#	Part#	Steel Type	Price
W396	CWM125-8S8A-50	Powder Coated	\$153
W397	CWM125-8S8A-50-CR	Stainless	\$369

Need something custom? Download Double Tube Order Form here.



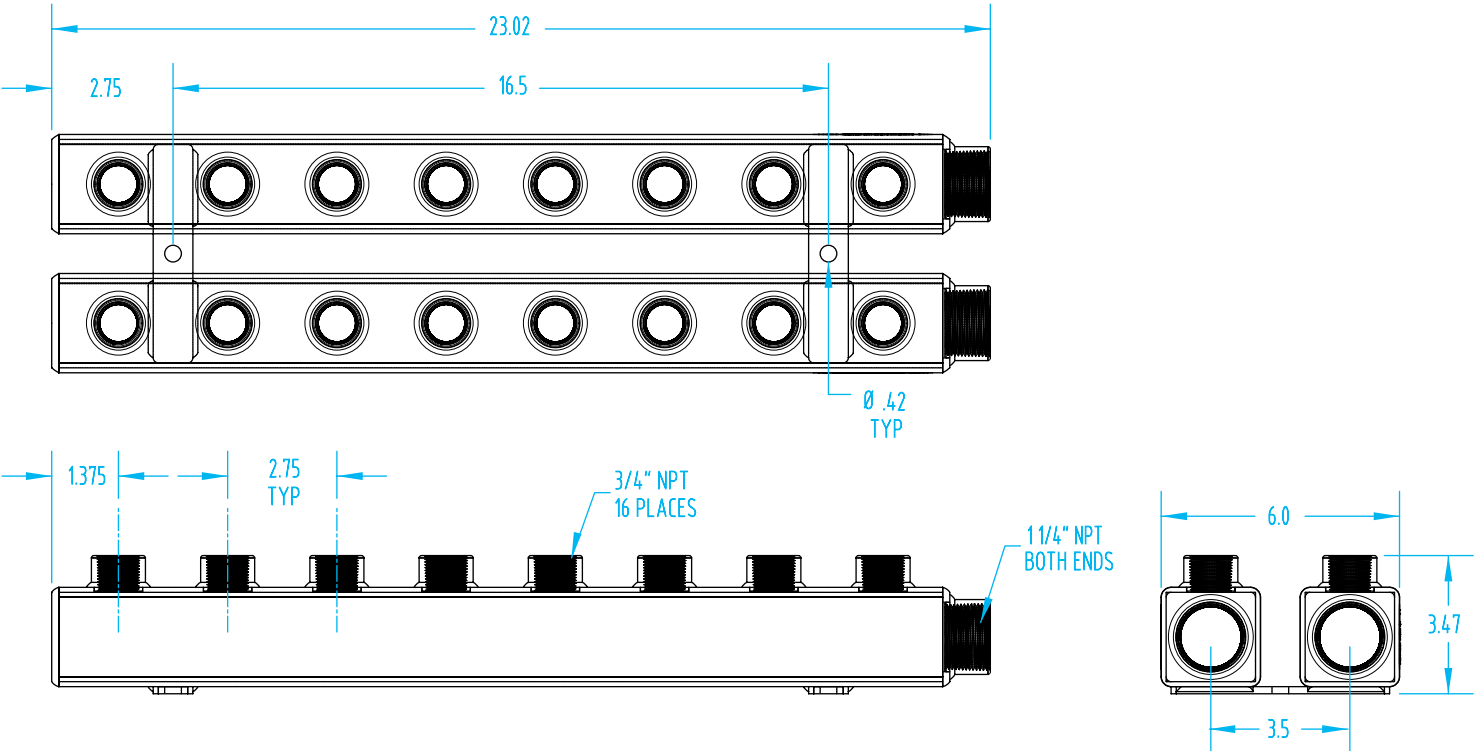
Water Manifolds

16 Outlet Manifold with 1 1/4" NPT End Ports
 3/4" NPT Outlets



Quick#	Part#	Steel Type	Price
W067	CWM-8S8A	Powder Coated	\$153
W068	CWM-8S8A-CR	Stainless	\$369

Need something custom? Download Double Tube Order Form here.



Water Manifolds

16 Outlet Manifold with 1 1/2" NPT End Ports

3/4" NPT Outlets

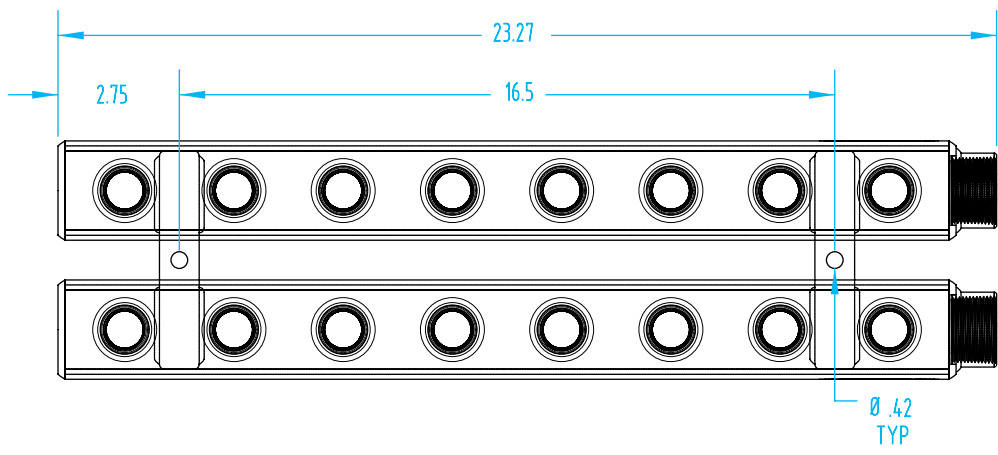
Features:

- Stainless Steel water manifolds reduce overall manifold expenses with durable construction for maximum service life in any molding environment.
- Powder coated manifolds are manufactured from heavy-gauge mild steel.
- Threaded couplings are welded in place.
- Pre-drilled mounting brackets for easy mounting.
- Pressure rated to 120 psi.
- Temperature rated to 300°F.

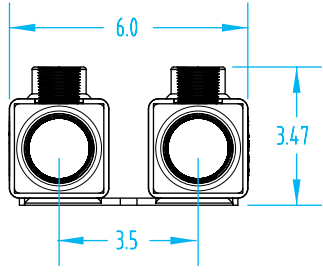
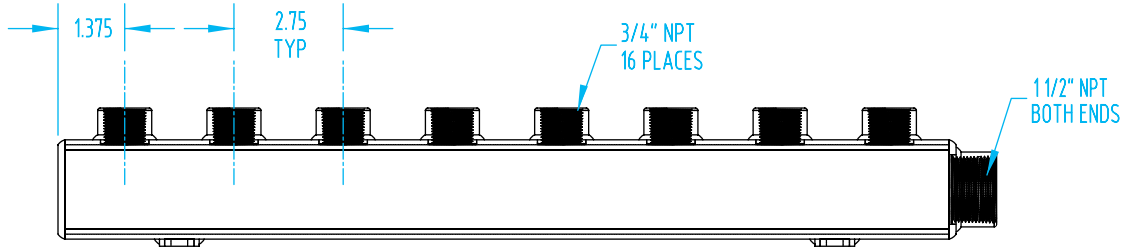


Quick#	Part#	Steel Type	Price
W398	CWM15-8S8A-75	Powder Coated	\$176
W399	CWM15-8S8A-75-CR	Stainless	\$391

Need something custom? [Download Double Tube Order Form here.](#)



See pages 161–165 for hose, fittings, valves, and end plugs



Water Manifolds

20 Outlet Manifold with 1 1/2" NPT End Ports
 3/4" NPT Outlets



Quick#	Part#	Steel Type	Price
W386	CWM15-10S10A-75	Powder Coated	\$220
W387	CWM15-10S10A-75-CR	Stainless	\$434

Need something custom? [Download Double Tube Order Form here.](#)

