

Removeable Nozzle Tips

Standard Tip:

- Thru-hardened for superior life.
- Manufactured from S-7 tool steel.
- Standard or extended lengths.
- Available in General Purpose, Reverse Taper (for nylon) and Full Taper styles.
- Fit all replaceable tip type nozzles.
- 7/8"-14 thread
- 1/2" rear opening
- Standard O.A.L.: 1 1/2"
- Extended O.A.L.: 2 3/4" to 4 3/4"
- Made in the U.S.A.



Our standard nozzle tips are made of S-7 tool steel which stands up to heat better than S-1. And S-7 provides better shock and impact resistance than H-13.

Fast Heat Transfer Tip:

- Thru-hardened for superior life.
- Manufactured from Ampco 940 copper alloy.
- Standard or extended lengths.
- Available in General Purpose, Reverse Taper (for nylon) and Full Taper styles.
- Fit all replaceable tip type nozzles.
- 7/8"-14 thread
- 1/2" rear opening
- Standard O.A.L.: 1 1/2"
- Extended O.A.L.: 2 3/4" to 4 3/4"
- Made in the U.S.A.



EMI's fast heat transfer tips are made of Ampco 940 copper alloy because traditional beryllium copper is extremely toxic to workers when it is sanded and polished. Be safe, use only EMI's Ampco 940 fast heat transfer tips.

Nozzle Tip Accessories

Quick#	Part#	Radius	Price
N344	LF2	Linear Edge Filter Element	\$114.00
N345	LM2	Linear Edge Mixing Element	\$139.00
N346	U-TF	Filter Plate for UA Style Tramp Mat'l Filter Nozzle	\$125.00

Removeable Nozzle Tips

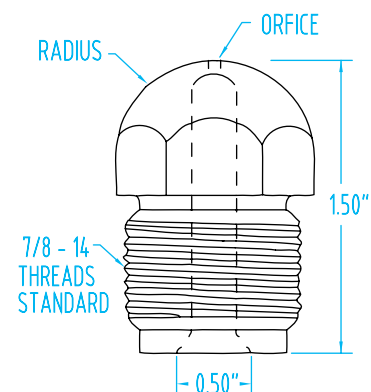
Standard Nozzle Tips

1/2" Radius

Quick#	Part#	Orifice	Price
N011	49-1-8	1/16"	\$19.20
N012	49-03-8	3/32"	\$19.20
N013	49-2-8	1/8"	\$19.20
N014	49-05-8	5/32"	\$19.20
N015	49-3-8	3/16"	\$19.20
N016	49-07-8	7/32"	\$19.20
N017	49-4-8	1/4"	\$19.20
N018	49-09-8	9/32"	\$19.20
N019	49-5-8	5/16"	\$19.20
N020	49-011-8	11/32"	\$19.20
N021	49-6-8	3/8"	\$19.20
N022	49-8-8	1/2"	\$19.20

3/4" Radius

Quick#	Part#	Orifice	Price
N045	49-1-12	1/16"	\$19.20
N046	49-03-12	3/32"	\$19.20
N047	49-2-12	1/8"	\$19.20
N048	49-05-12	5/32"	\$19.20
N049	49-3-12	3/16"	\$19.20
N050	49-07-12	7/32"	\$19.20
N051	49-4-12	1/4"	\$19.20
N052	49-09-12	9/32"	\$19.20
N053	49-5-12	5/16"	\$19.20
N054	49-011-12	11/32"	\$19.20
N055	49-6-12	3/8"	\$19.20
N056	49-8-12	1/2"	\$19.20



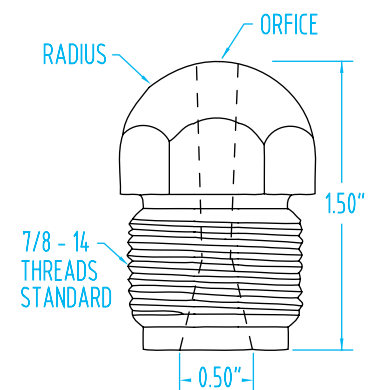
Standard Nylon Nozzle Tips

1/2" Radius

Quick#	Part#	Orifice	Price
N023	49-1-8N	1/16"	\$19.20
N024	49-03-8N	3/32"	\$19.20
N025	49-2-8N	1/8"	\$19.20
N026	49-05-8N	5/32"	\$19.20
N027	49-3-8N	3/16"	\$19.20
N028	49-07-8N	7/32"	\$19.20
N029	49-4-8N	1/4"	\$19.20
N030	49-09-8N	9/32"	\$19.20
N031	49-5-8N	5/16"	\$19.20
N032	49-011-8N	11/32"	\$19.20
N033	49-6-8N	3/8"	\$19.20

3/4" Radius

Quick#	Part#	Orifice	Price
N057	49-1-12N	1/16"	\$19.20
N058	49-03-12N	3/32"	\$19.20
N059	49-2-12N	1/8"	\$19.20
N060	49-05-12N	5/32"	\$19.20
N061	49-3-12N	3/16"	\$19.20
N062	49-07-12N	7/32"	\$19.20
N063	49-4-12N	1/4"	\$19.20
N064	49-09-12N	9/32"	\$19.20
N065	49-5-12N	5/16"	\$19.20
N066	49-011-12N	11/32"	\$19.20
N067	49-6-12N	3/8"	\$19.20



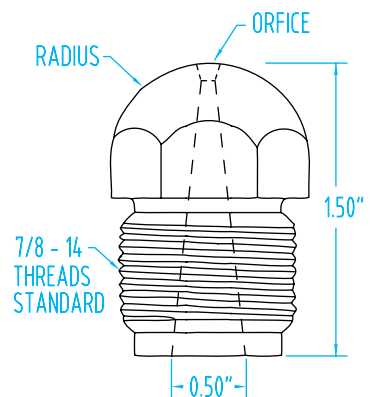
Standard Full-Taper Nozzle Tips

1/2" Radius

Quick#	Part#	Orifice	Price
N034	49-1-8ABS	1/16"	\$19.20
N035	49-03-8ABS	3/32"	\$19.20
N036	49-2-8ABS	1/8"	\$19.20
N037	49-05-8ABS	5/32"	\$19.20
N038	49-3-8ABS	3/16"	\$19.20
N039	49-07-8ABS	7/32"	\$19.20
N040	49-4-8ABS	1/4"	\$19.20
N041	49-09-8ABS	9/32"	\$19.20
N042	49-5-8ABS	5/16"	\$19.20
N043	49-011-8ABS	11/32"	\$19.20
N044	49-6-8ABS	3/8"	\$19.20

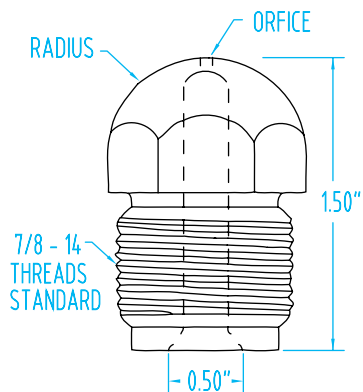
3/4" Radius

Quick#	Part#	Orifice	Price
N068	49-1-12ABS	1/16"	\$19.20
N069	49-03-12ABS	3/32"	\$19.20
N070	49-2-12ABS	1/8"	\$19.20
N071	49-05-12ABS	5/32"	\$19.20
N072	49-3-12ABS	3/16"	\$19.20
N073	49-07-12ABS	7/32"	\$19.20
N074	49-4-12ABS	1/4"	\$19.20
N075	49-09-12ABS	9/32"	\$19.20
N076	49-5-12ABS	5/16"	\$19.20
N077	49-011-12ABS	11/32"	\$19.20
N078	49-6-12ABS	3/8"	\$19.20
N079	49-8-12ABS	1/2"	\$19.20



Removeable Nozzle Tips

Fast Heat Transfer Nozzle Tips



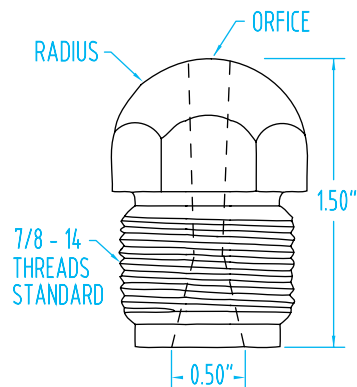
1/2" Radius

Quick#	Part#	Orifice	Price
N168	59B-1-8	1/16"	\$47.15
N169	59B-03-8	3/32"	\$47.15
N170	59B-2-8	1/8"	\$47.15
N171	59B-05-8	5/32"	\$47.15
N172	59B-3-8	3/16"	\$47.15
N173	59B-07-8	7/32"	\$47.15
N174	59B-4-8	1/4"	\$47.15
N175	59B-09-8	9/32"	\$47.15
N176	59B-5-8	5/16"	\$47.15
N177	59B-011-8	11/32"	\$47.15
N178	59B-6-8	3/8"	\$47.15
N179	59B-8-8	1/2"	\$47.15

3/4" Radius

Quick#	Part#	Orifice	Price
N180	59B-1-12	1/16"	\$47.15
N181	59B-03-12	3/32"	\$47.15
N182	59B-2-12	1/8"	\$47.15
N183	59B-05-12	5/32"	\$47.15
N184	59B-3-12	3/16"	\$47.15
N185	59B-07-12	7/32"	\$47.15
N186	59B-4-12	1/4"	\$47.15
N187	59B-09-12	9/32"	\$47.15
N188	59B-5-12	5/16"	\$47.15
N189	59B-011-12	11/32"	\$47.15
N190	59B-6-12	3/8"	\$47.15
N191	59B-8-12	1/2"	\$47.15

Fast Heat Transfer Nylon Nozzle Tips



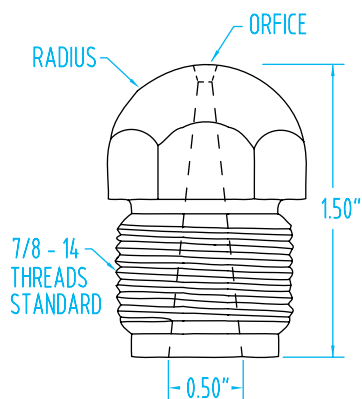
1/2" Radius

Quick#	Part#	Orifice	Price
N192	59B-1-8N	1/16"	\$47.15
N193	59B-03-8N	3/32"	\$47.15
N194	59B-2-8N	1/8"	\$47.15
N195	59B-05-8N	5/32"	\$47.15
N196	59B-3-8N	3/16"	\$47.15
N197	59B-07-8N	7/32"	\$47.15
N198	59B-4-8N	1/4"	\$47.15
N199	59B-09-8N	9/32"	\$47.15
N200	59B-5-8N	5/16"	\$47.15
N201	59B-011-8N	11/32"	\$47.15
N202	59B-6-8N	3/8"	\$47.15

3/4" Radius

Quick#	Part#	Orifice	Price
N203	59B-1-12N	1/16"	\$47.15
N204	59B-03-12N	3/32"	\$47.15
N205	59B-2-12N	1/8"	\$47.15
N206	59B-05-12N	5/32"	\$47.15
N207	59B-3-12N	3/16"	\$47.15
N208	59B-07-12N	7/32"	\$47.15
N209	59B-4-12N	1/4"	\$47.15
N210	59B-09-12N	9/32"	\$47.15
N211	59B-5-12N	5/16"	\$47.15
N212	59B-011-12N	11/32"	\$47.15
N213	59B-6-12N	3/8"	\$47.15

Fast Heat Transfer Full-Taper Nozzle Tips



1/2" Radius

Quick#	Part#	Orifice	Price
N214	59B-1-8ABS	1/16"	\$47.15
N215	59B-03-8ABS	3/32"	\$47.15
N216	59B-2-8ABS	1/8"	\$47.15
N217	59B-05-8ABS	5/32"	\$47.15
N218	59B-3-8ABS	3/16"	\$47.15
N219	59B-07-8ABS	7/32"	\$47.15
N220	59B-4-8ABS	1/4"	\$47.15
N221	59B-09-8ABS	9/32"	\$47.15
N222	59B-5-8ABS	5/16"	\$47.15
N223	59B-011-8ABS	11/32"	\$47.15
N224	59B-6-8ABS	3/8"	\$47.15

3/4" Radius

Quick#	Part#	Orifice	Price
N225	59B-1-12ABS	1/16"	\$47.15
N226	59B-03-12ABS	3/32"	\$47.15
N227	59B-2-12ABS	1/8"	\$47.15
N228	59B-05-12ABS	5/32"	\$47.15
N229	59B-3-12ABS	3/16"	\$47.15
N230	59B-07-12ABS	7/32"	\$47.15
N231	59B-4-12ABS	1/4"	\$47.15
N232	59B-09-12ABS	9/32"	\$47.15
N233	59B-5-12ABS	5/16"	\$47.15
N234	59B-011-12ABS	11/32"	\$47.15
N235	59B-6-12ABS	3/8"	\$47.15

Removeable Nozzle Tips

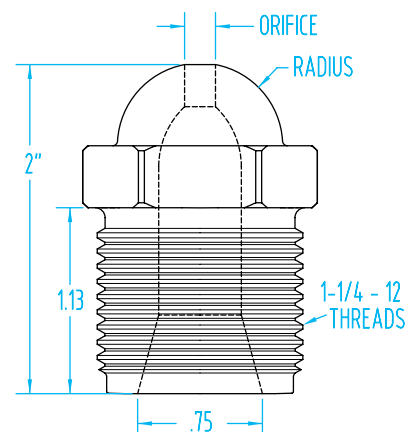
Big Bore Nozzle Tips

1/2" Radius

Quick#	Part#	Orifice	Price
N276	268-1-8	1/16"	\$57.93
N277	268-03-8	3/32"	\$57.93
N278	268-2-8	1/8"	\$57.93
N279	268-05-8	5/32"	\$57.93
N280	268-3-8	3/16"	\$57.93
N281	268-07-8	7/32"	\$57.93
N282	268-4-8	1/4"	\$57.93
N283	268-09-8	9/32"	\$57.93
N284	268-5-8	5/16"	\$57.93
N285	268-011-8	11/32"	\$57.93
N286	268-6-8	3/8"	\$57.93
N287	268-8-8	1/2"	\$57.93

3/4" Radius

Quick#	Part#	Orifice	Price
N288	268-1-12	1/16"	\$57.93
N289	268-03-12	3/32"	\$57.93
N290	268-2-12	1/8"	\$57.93
N291	268-05-12	5/32"	\$57.93
N292	268-3-12	3/16"	\$57.93
N293	268-07-12	7/32"	\$57.93
N294	268-4-12	1/4"	\$57.93
N295	268-09-12	9/32"	\$57.93
N296	268-5-12	5/16"	\$57.93
N297	268-011-12	11/32"	\$57.93
N298	268-6-12	3/8"	\$57.93
N299	268-8-12	1/2"	\$57.93



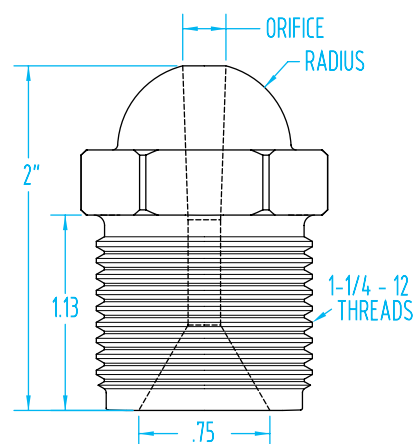
Big Bore Nylon Nozzle Tips

1/2" Radius

Quick#	Part#	Orifice	Price
N300	268-1-8N	1/16"	\$57.93
N301	268-03-8N	3/32"	\$57.93
N302	268-2-8N	1/8"	\$57.93
N303	268-05-8N	5/32"	\$57.93
N304	268-3-8N	3/16"	\$57.93
N305	268-07-8N	7/32"	\$57.93
N306	268-4-8N	1/4"	\$57.93
N307	268-09-8N	9/32"	\$57.93
N308	268-5-8N	5/16"	\$57.93
N309	268-011-8N	11/32"	\$57.93
N310	268-6-8N	3/8"	\$57.93

3/4" Radius

Quick#	Part#	Orifice	Price
N311	268-1-12N	1/16"	\$57.93
N312	268-03-12N	3/32"	\$57.93
N313	268-2-12N	1/8"	\$57.93
N314	268-05-12N	5/32"	\$57.93
N315	268-3-12N	3/16"	\$57.93
N316	268-07-12N	7/32"	\$57.93
N317	268-4-12N	1/4"	\$57.93
N318	268-09-12N	9/32"	\$57.93
N319	268-5-12N	5/16"	\$57.93
N320	268-011-12N	11/32"	\$57.93
N321	268-6-12N	3/8"	\$57.93



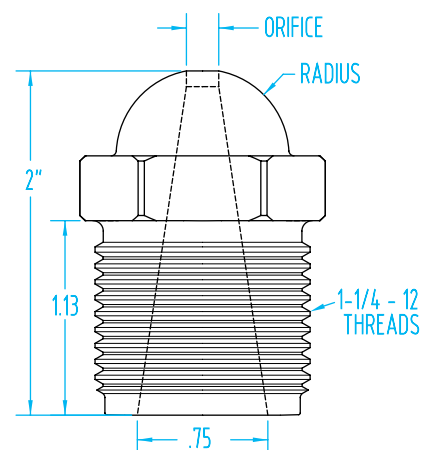
Big Bore Full-Taper Nozzle Tips

1/2" Radius

Quick#	Part#	Orifice	Price
N322	268-1-8ABS	1/16"	\$57.93
N323	268-03-8ABS	3/32"	\$57.93
N324	268-2-8ABS	1/8"	\$57.93
N325	268-05-8ABS	5/32"	\$57.93
N326	268-3-8ABS	3/16"	\$57.93
N327	268-07-8ABS	7/32"	\$57.93
N328	268-4-8ABS	1/4"	\$57.93
N329	268-09-8ABS	9/32"	\$57.93
N330	268-5-8ABS	5/16"	\$57.93
N331	268-011-8ABS	11/32"	\$57.93
N332	268-6-8ABS	3/8"	\$57.93

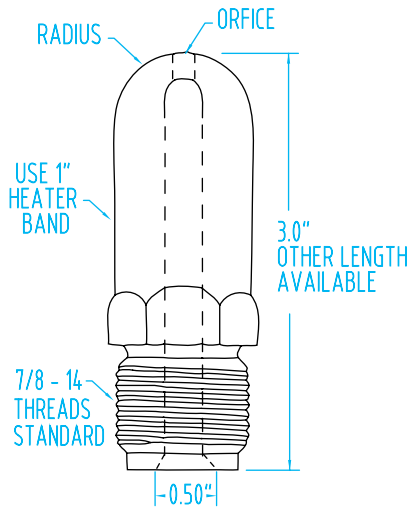
3/4" Radius

Quick#	Part#	Orifice	Price
N333	268-1-12ABS	1/16"	\$57.93
N334	268-03-12ABS	3/32"	\$57.93
N335	268-2-12ABS	1/8"	\$57.93
N336	268-05-12ABS	5/32"	\$57.93
N337	268-3-12ABS	3/16"	\$57.93
N338	268-07-12ABS	7/32"	\$57.93
N339	268-4-12ABS	1/4"	\$57.93
N340	268-09-12ABS	9/32"	\$57.93
N341	268-5-12ABS	5/16"	\$57.93
N342	268-011-12ABS	11/32"	\$57.93
N343	268-6-12ABS	3/8"	\$57.93



Removeable Nozzle Tips

3" Extended Nozzle Tips

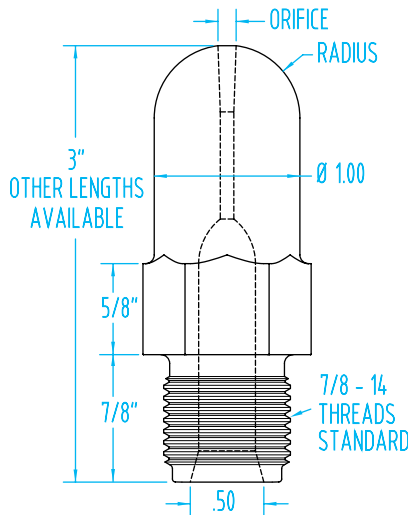


1/2" Radius

Quick#	Part#	Orifice	Price
N080	49-300-1-8	1/16"	\$51.19
N081	49-300-03-8	3/32"	\$51.19
N082	49-300-2-8	1/8"	\$51.19
N083	49-300-05-8	5/32"	\$51.19
N084	49-300-3-8	3/16"	\$51.19
N085	49-300-07-8	7/32"	\$51.19
N086	49-300-4-8	1/4"	\$51.19
N087	49-300-09-8	9/32"	\$51.19
N088	49-300-5-8	5/16"	\$51.19
N089	49-300-011-8	11/32"	\$51.19
N090	49-300-6-8	3/8"	\$51.19
N091	49-300-8-8	1/2"	\$51.19

3/4" Radius

Quick#	Part#	Orifice	Price
N092	49-300-1-12	1/16"	\$51.19
N093	49-300-03-12	3/32"	\$51.19
N094	49-300-2-12	1/8"	\$51.19
N095	49-300-05-12	5/32"	\$51.19
N096	49-300-3-12	3/16"	\$51.19
N097	49-300-07-12	7/32"	\$51.19
N098	49-300-4-12	1/4"	\$51.19
N099	49-300-09-12	9/32"	\$51.19
N100	49-300-5-12	5/16"	\$51.19
N101	49-300-011-12	11/32"	\$51.19
N102	49-300-6-12	3/8"	\$51.19
N103	49-300-8-12	1/2"	\$51.19



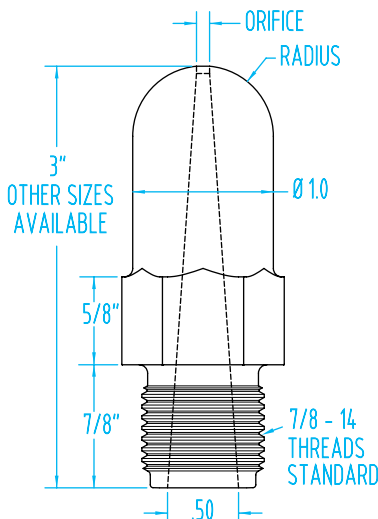
3" Extended Nylon Nozzle Tips

1/2" Radius

Quick#	Part#	Orifice	Price
N104	49-300-1-8N	1/16"	\$51.19
N105	49-300-03-8N	3/32"	\$51.19
N106	49-300-2-8N	1/8"	\$51.19
N107	49-300-05-8N	5/32"	\$51.19
N108	49-300-3-8N	3/16"	\$51.19
N109	49-300-07-8N	7/32"	\$51.19
N110	49-300-4-8N	1/4"	\$51.19
N111	49-300-09-8N	9/32"	\$51.19
N112	49-300-5-8N	5/16"	\$51.19
N113	49-300-6-8N	3/8"	\$51.19

3/4" Radius

Quick#	Part#	Orifice	Price
N114	49-300-1-12N	1/16"	\$51.19
N115	49-300-03-12N	3/32"	\$51.19
N116	49-300-2-12N	1/8"	\$51.19
N117	49-300-05-12N	5/32"	\$51.19
N118	49-300-3-12N	3/16"	\$51.19
N119	49-300-07-12N	7/32"	\$51.19
N120	49-300-4-12N	1/4"	\$51.19
N121	49-300-09-12N	9/32"	\$51.19
N122	49-300-5-12N	5/16"	\$51.19
N123	49-300-6-12N	3/8"	\$51.19



3" Extended Full-Taper Nozzle Tips

1/2" Radius

Quick#	Part#	Orifice	Price
N124	49-300-1-8ABS	1/16"	\$66.01
N125	49-300-03-8ABS	3/32"	\$66.01
N126	49-300-2-8ABS	1/8"	\$66.01
N127	49-300-05-8ABS	5/32"	\$66.01
N128	49-300-3-8ABS	3/16"	\$66.01
N129	49-300-07-8ABS	7/32"	\$66.01
N130	49-300-4-8ABS	1/4"	\$66.01
N131	49-300-09-8ABS	9/32"	\$66.01
N132	49-300-5-8ABS	5/16"	\$66.01
N133	49-300-6-8ABS	3/8"	\$66.01

3/4" Radius

Quick#	Part#	Orifice	Price
N134	49-300-1-12ABS	1/16"	\$66.01
N135	49-300-03-12ABS	3/32"	\$66.01
N136	49-300-2-12ABS	1/8"	\$66.01
N137	49-300-05-12ABS	5/32"	\$66.01
N138	49-300-3-12ABS	3/16"	\$66.01
N139	49-300-07-12ABS	7/32"	\$66.01
N140	49-300-4-12ABS	1/4"	\$66.01
N141	49-300-09-12ABS	9/32"	\$66.01
N142	49-300-5-12ABS	5/16"	\$66.01
N143	49-300-6-12ABS	3/8"	\$66.01

Removeable Nozzle Tips

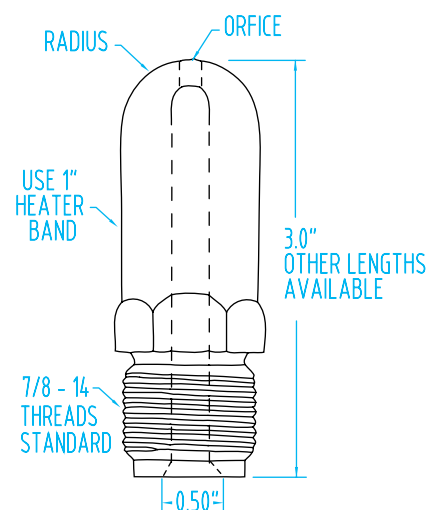
3" Extended Fast Heat Transfer Nozzle Tips

1/2" Radius

Quick#	Part#	Orifice	Price
N144	59B-300-1-8	1/16"	\$76.79
N145	59B-300-03-8	3/32"	\$76.79
N146	59B-300-2-8	1/8"	\$76.79
N147	59B-300-05-8	5/32"	\$76.79
N148	59B-300-3-8	3/16"	\$76.79
N149	59B-300-07-8	7/32"	\$76.79
N150	59B-300-4-8	1/4"	\$76.79
N151	59B-300-09-8	9/32"	\$76.79
N152	59B-300-5-8	5/16"	\$76.79
N153	59B-300-011-8	11/32"	\$76.79
N154	59B-300-6-8	3/8"	\$76.79
N155	59B-300-8-8	1/2"	\$76.79

3/4" Radius

Quick#	Part#	Orifice	Price
N156	59B-300-1-12	1/16"	\$76.79
N157	59B-300-03-12	3/32"	\$76.79
N158	59B-300-2-12	1/8"	\$76.79
N159	59B-300-05-12	5/32"	\$76.79
N160	59B-300-3-12	3/16"	\$76.79
N161	59B-300-07-12	7/32"	\$76.79
N162	59B-300-4-12	1/4"	\$76.79
N163	59B-300-09-12	9/32"	\$76.79
N164	59B-300-5-12	5/16"	\$76.79
N165	59B-300-011-12	11/32"	\$76.79
N166	59B-300-6-12	3/8"	\$76.79
N167	59B-300-8-12	1/2"	\$76.79



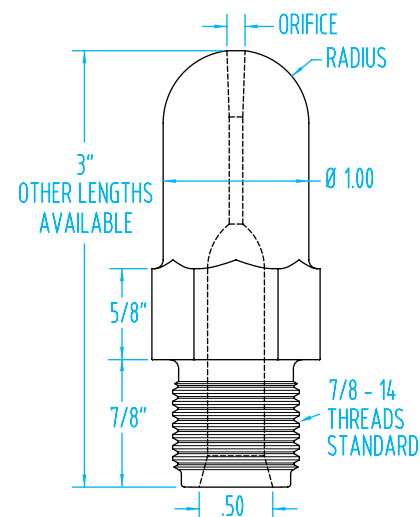
3" Extended Fast Heat Transfer Nylon Nozzle Tips

1/2" Radius

Quick#	Part#	Orifice	Price
N236	59B-300-1-8N	1/16"	\$76.79
N237	59B-300-03-8N	3/32"	\$76.79
N238	59B-300-2-8N	1/8"	\$76.79
N239	59B-300-05-8N	5/32"	\$76.79
N240	59B-300-3-8N	3/16"	\$76.79
N241	59B-300-07-8N	7/32"	\$76.79
N242	59B-300-4-8N	1/4"	\$76.79
N243	59B-300-09-8N	9/32"	\$76.79
N244	59B-300-5-8N	5/16"	\$76.79
N245	59B-300-6-8N	3/8"	\$76.79

3/4" Radius

Quick#	Part#	Orifice	Price
N246	59B-300-1-12N	1/16"	\$76.79
N247	59B-300-03-12N	3/32"	\$76.79
N248	59B-300-2-12N	1/8"	\$76.79
N249	59B-300-05-12N	5/32"	\$76.79
N250	59B-300-3-12N	3/16"	\$76.79
N251	59B-300-07-12N	7/32"	\$76.79
N252	59B-300-4-12N	1/4"	\$76.79
N253	59B-300-09-12N	9/32"	\$76.79
N254	59B-300-5-12N	5/16"	\$76.79
N255	59B-300-6-12N	3/8"	\$76.79



3" Extended Fast Heat Transfer Full-Taper Nozzle Tips

1/2" Radius

Quick#	Part#	Orifice	Price
N256	59B-300-1-8ABS	1/16"	\$91.61
N257	59B-300-03-8ABS	3/32"	\$91.61
N258	59B-300-2-8ABS	1/8"	\$91.61
N259	59B-300-05-8ABS	5/32"	\$91.61
N260	59B-300-3-8ABS	3/16"	\$91.61
N261	59B-300-07-8ABS	7/32"	\$91.61
N262	59B-300-4-8ABS	1/4"	\$91.61
N263	59B-300-09-8ABS	9/32"	\$91.61
N264	59B-300-5-8ABS	5/16"	\$91.61
N265	59B-300-6-8ABS	3/8"	\$91.61

3/4" Radius

Quick#	Part#	Orifice	Price
N266	59B-300-1-12ABS	1/16"	\$91.61
N267	59B-300-03-12ABS	3/32"	\$91.61
N268	59B-300-2-12ABS	1/8"	\$91.61
N269	59B-300-05-12ABS	5/32"	\$91.61
N270	59B-300-3-12ABS	3/16"	\$91.61
N271	59B-300-07-12ABS	7/32"	\$91.61
N272	59B-300-4-12ABS	1/4"	\$91.61
N273	59B-300-09-12ABS	9/32"	\$91.61
N274	59B-300-5-12ABS	5/16"	\$91.61
N275	59B-300-6-12ABS	3/8"	\$91.61

