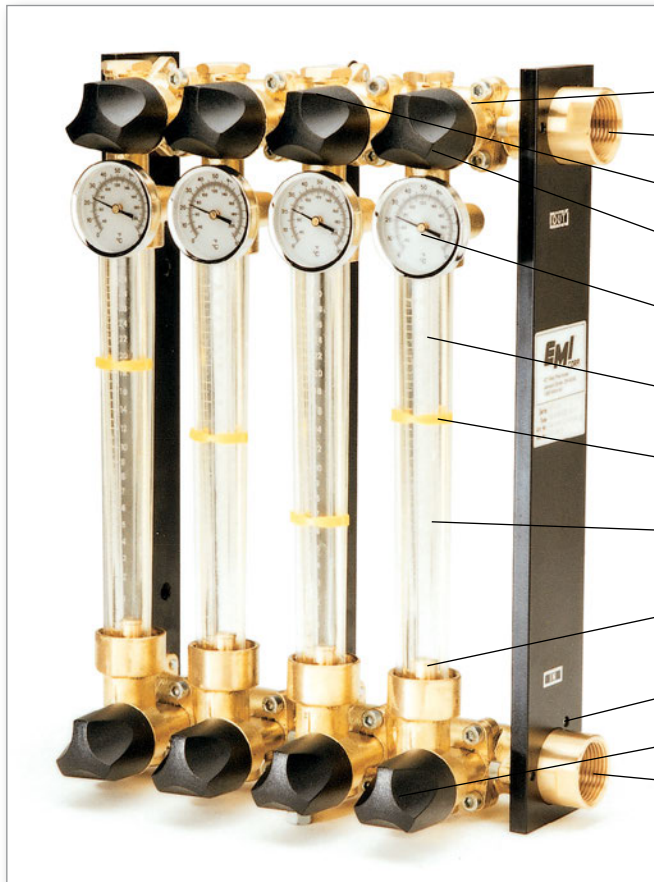


Brass Water Flow Regulators

Leak resistant, these are ideal where water quality is poor.

EMI's all brass water flow regulators stand up to the toughest water and heat challenges while delivering precise cooling water flow rates. You'll get consistent part shrinkage and optimum molding quality. Individual circuit regulation valves eliminate flow fluctuations and individual zone thermometers show "from process" temperatures.

Removable plugs provide quick access for sight glass cleaning (brush provided). Polyamide sight glass tubes for high temperature performance. Reference marks molded in. Brass floats and external sight glass tube rings show flow deviations, allow fast flow settings. Rated for temperatures up to 212°F .



2 to 12 Zone Models

- All brass valve components & housing
- 1" NPT outlet
- Removable plugs for cleaning sight glass
- Regulation valve for water FROM MOLD
- Thermometer calibrated 0°–100°C, 32°–212°F
- Permanently mounted Polyamide 12 sight glass
- Adjustable flow reference rings
- Maximum pressure 232 psi
- Composite float cones inside flow tubes to read against reference rings.
- Pre-drilled mounting holes
- Regulation valve for water TO MOLD
- 1" NPT Inlet

Features:

- Series 200: 0–2.6 GPM (10 LPM)
- Series 230: 0–8 GPM (30LPM)
- Individual circuit regulation valves to eliminate flow fluctuations.
- Reference marks are molded into, not painted on, the sight glasses.
- Internal composite floats along with external, adjustable sight glass tube rings.
- 100% leak tested before shipping.

Note: As opposed to the 110 & 310 Series Water Flow Regulators which have a 3/8" NPT to mold, the mold connections on all EMI Brass Water Flow Regulators are G-3/8" thread. To adapt to 3/8" NPT, order EMI #WFR-G375 - \$9.50 each. *Quick# W102.*

Specifications

Maximum Pressure	Maximum Temperature
232 psi (16 bar)	68°F (20°C)
145 psi (10 bar)	104°F (40°C)
116 psi (8 bar)	140°F (60°C)
87 psi (6 bar)	176°F (80°C)
58 psi (4 bar)	212°F (100°C)

Brass Water Flow Regulators Series 200/230

2.6 GMP (10LPM) / 8 GPM (30LPM) per zone maximum

1" NPT supply



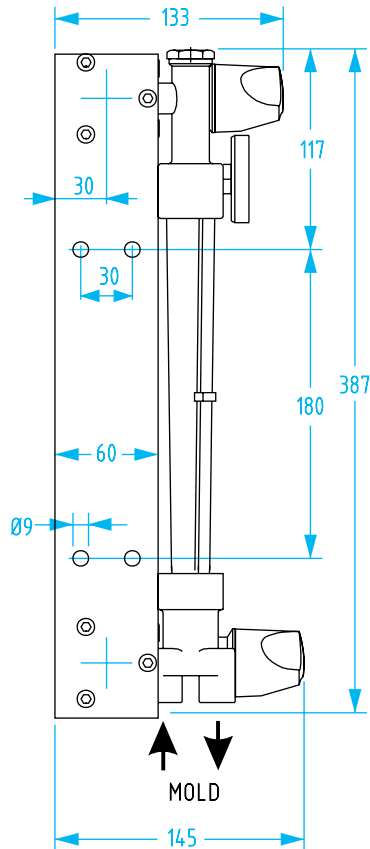
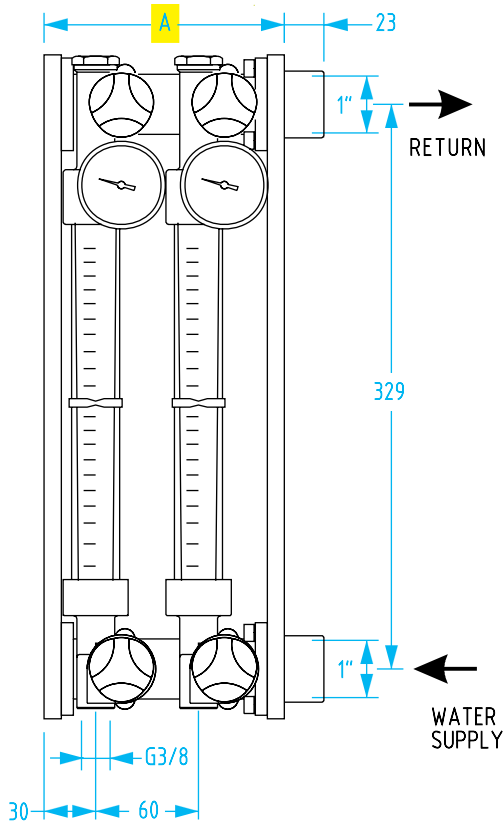
Brass Water Flow Regulators Series 200 – 2.6 GPM

Quick#	Part#	# of Zones	A (mm)	Price
W193	WFR200-2	2	140	\$529.00
W194	WFR200-4	4	262	\$875.00
W195	WFR200-6	6	384	\$1,225.00
W196	WFR200-8	8	506	\$1,572.00
W197	WFR200-10	10	628	\$1,917.00
W198	WFR200-12	12	750	\$2,175.00

Brass Water Flow Regulators Series 230 – 8 GPM

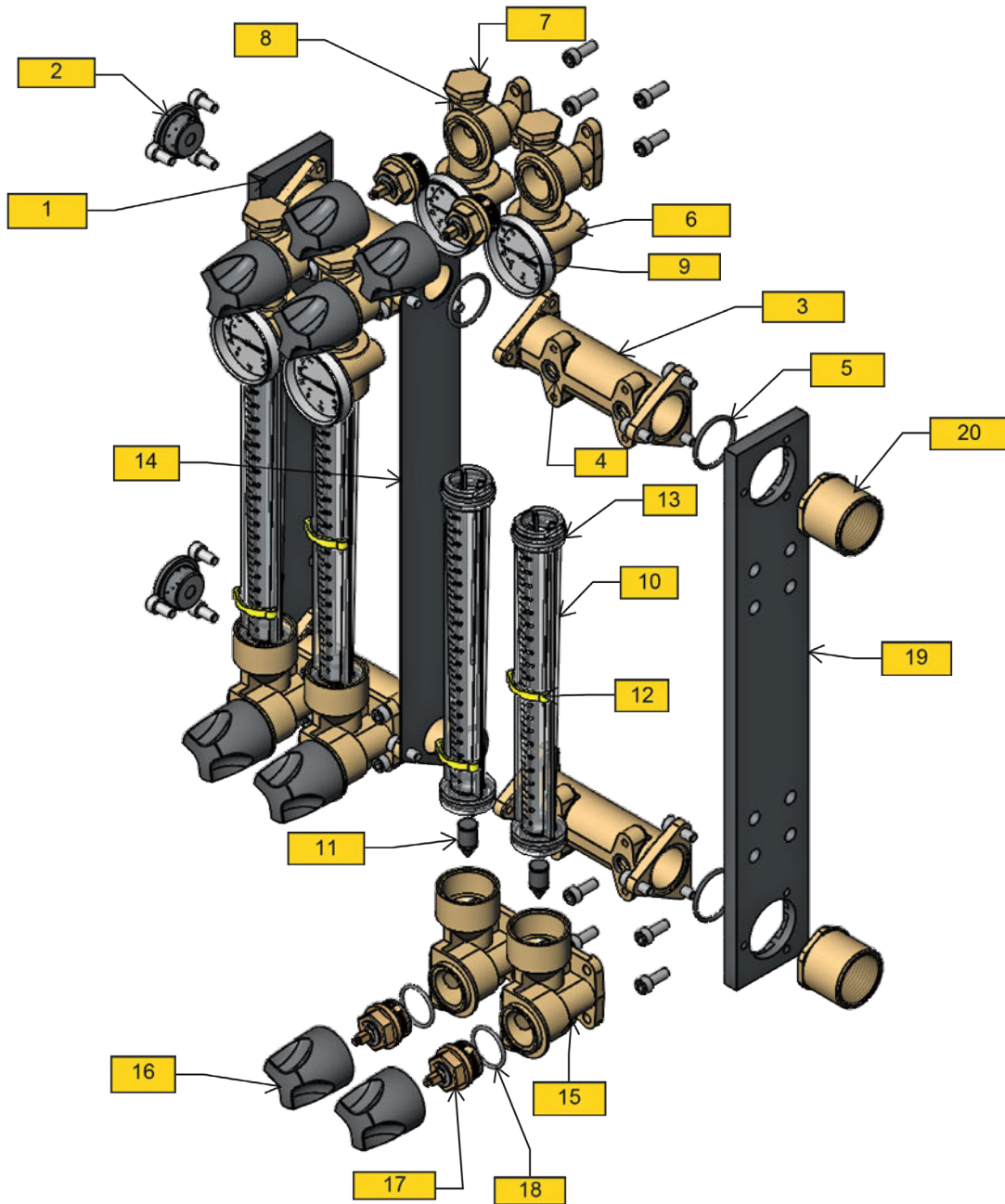
Quick#	Part#	# of Zones	A (mm)	Price
W097	WFRB-202	2	140	\$557.00
W098	WFRB-204	4	262	\$921.00
W099	WFRB-206	6	384	\$1,289.00
W100	WFRB-208	8	506	\$1,655.00
W101	WFRB-210	10	628	\$2,018.00
W192	WFRB-212	12	750	\$2,290.00

Note: The mold connections on all EMI Brass Water Flow Regulators are G-3/8 thread. To adapt to 3/8" NPT, order EMI #WFR-G375 - \$9.50 each. Quick# W102.



Series 200 Brass Water Flow Regulator (2.6 GPM)

Exploded View and Parts List



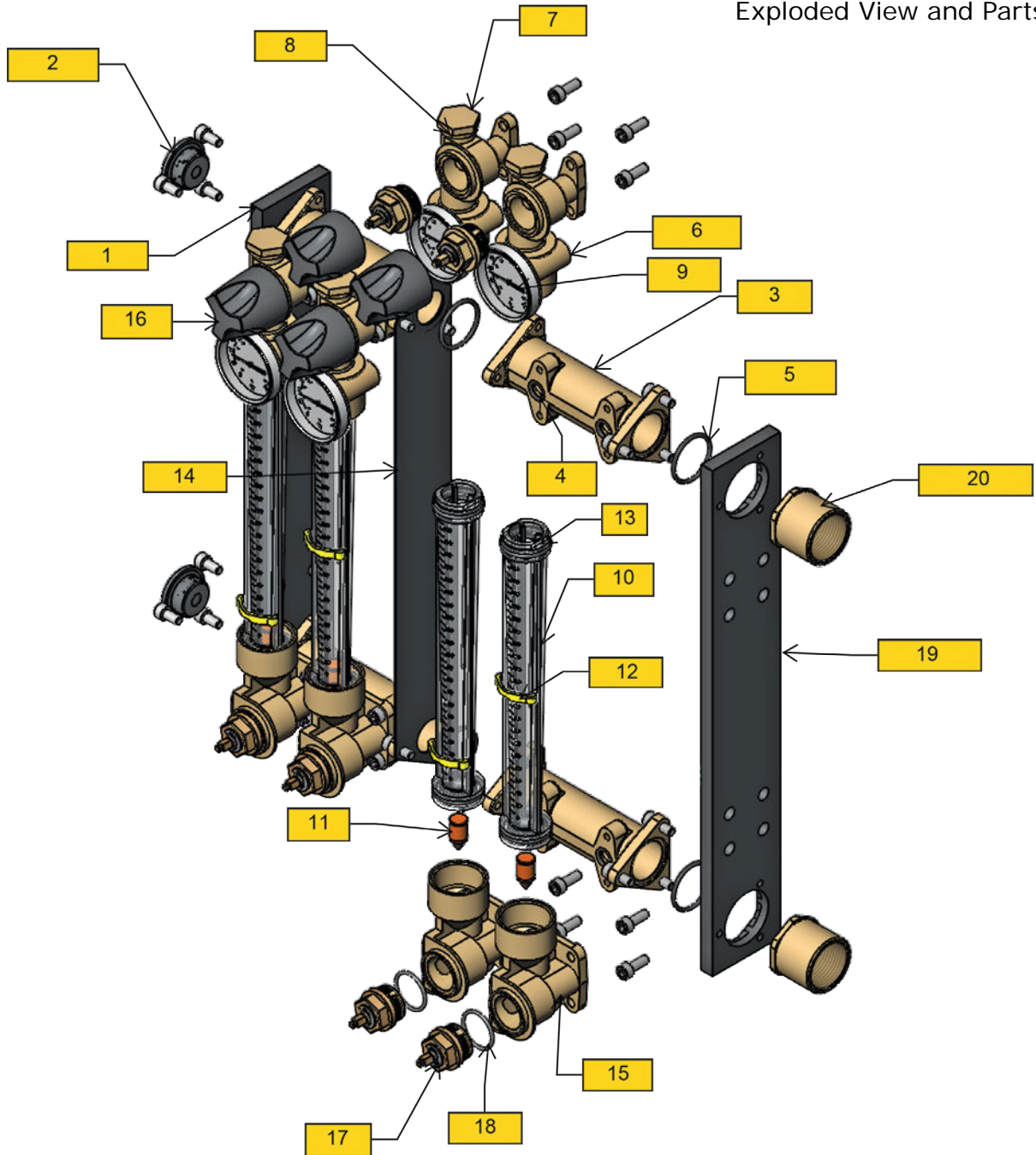
Item	Quick#	Part#	Description
1	WP250	D900000768	Left Side End Plate
2	WP219	D900000343	Plug w/ O-ring
3	WP251	D900000009	Manifold Block
4	WP252	MD00000005	O-ring-10mmX2mm
5	WP253	MD00000046	O-ring-29mmX2mm
6	WP254	D900000007	Upper Manifold-w/ Valve & Thermometer
7	WP255	D900000473	Sealing Cap
8	WP256	MD00000006	Seal Cap O-ring-17mmX2mm
9	WP257	D700000035	Thermometer
10	WP258	D900001196	Sight Glass Assembly
11	WP227	D700000593	Composite Float

Item	Quick#	Part#	Description
12	WP228	D700000036	Indicator Ring
13	WP213	MD00000007	O-ring-26.65mmX2.62mm
14	WP259	D900000035	Center Plate w/ O-Ring
15	WP260	D900000008	Lower Manifold w/ Valve
16	WP261	D700000056	Adjustment Knob
17	WP262	D800000001	Control Valve w/ O-rings
18	WP263	MD00000008	O-ring-23mmX2mm
19	WP264	D900000770	Right Side End Plate
20	WP265	D900000312	Brass Insert NPT 1"
21	WP217	D700000125	Cleaning Brush (not shown)

When ordering, use Quick#s to ensure order accuracy.

Series 230 Brass Water Flow Regulator (8 GPM)

Exploded View and Parts List



Item	Quick#	Part#	Description
1	WP250	D900000768	Left Side End Plate
2	WP219	D900000343	Plug w/ O-ring
3	WP251	D900000009	Manifold Block
4	WP252	MD00000005	O-ring-10mmX2mm
5	WP253	MD00000046	O-ring-29mmX2mm
6	WP254	D900000007	Upper Manifold-w/ Valve & Thermometer
7	WP255	D900000473	Sealing Cap
8	WP256	MD00000006	Seal Cap O-ring-17mmX2mm
9	WP257	D700000035	Thermometer
10	WP266	D900001195	Sight Glass Assembly
11	WP211	D700000075	Brass Float

Item	Quick#	Part#	Description
12	WP228	D700000036	Indicator Ring
13	WP213	MD00000007	O-ring-26.65mmX2.62mm
14	WP259	D900000035	Center Plate w/ O-Ring
15	WP260	D900000008	Lower Manifold w/ Valve
16	WP261	D700000056	Adjustment Knob
17	WP262	D800000001	Control Valve w/ O-rings
18	WP263	MD00000008	O-ring-23mmX2mm
19	WP264	D900000770	Right Side End Plate
20	WP265	D900000312	Brass Insert NPT 1"
21	WP217	D700000125	Cleaning Brush (not shown)

When ordering, use Quick#s to ensure order accuracy.