

Water Flow Regulators

You can't buy better water flow regulators!

EMI's water flow regulators provide precise settings of cooling water flow rates with balancing adjustments, so you get consistent part shrinkage, optimum molding quality and consistency and instant indication of a blocked circuit. Individual circuit regulation valves eliminate flow fluctuations and zone thermometers show "from process" water temperatures. 100% leak tested before shipping. Easy to clean. Adjustable, external sight glass tube rings show deviation, allow fast flow settings when restarting molds.

Series 110 Flow Rate 0–2.6 GPM (10 LPM) per circuit. The essential device for your plastics processing machines for open and closed cooling circuits. Flow volume is indicated in accordance with the float measuring principle: a cone is lifted by the water flowing in the return of the mold circuit. See page 150.

Series 310 Flow Rate 0–8 GPM (30 LPM) per circuit. The optimum flow regulator for large injection molding and blow molding machines. Its low pressure drop makes it suitable for highest flow volumes. Due to the special design of the regulating valves, excellent regulation and accurate reproduction of cooling water volume and temperature in the different mold circuits can also be achieved for low flow volumes. See page 151.

Series 401 (Mini) Flow Rate 0–2.1 GPM (8 LPM) per circuit. The ideal unit specially designed for the smaller range of injection molding machines up to approx. 80 tons clamping force. See page 148.

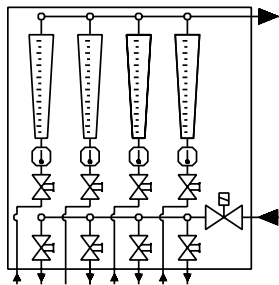
Series 200 (Brass) Flow Rate 0–2.6 GPM (10 LPM) per circuit. See page 156.

Series 230 (Brass) Flow Rate 0–8 GPM (30 LPM) per circuit. The upper and lower blocks as well as the manifolds are made of brass for high temperatures and pressures. See page 156.

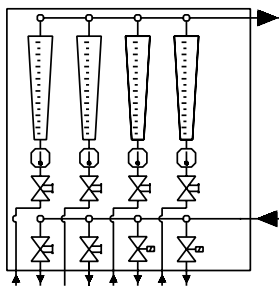
These Options are special order and require a Quote. Contact: Sales@EMlcorp.com

Optional Valves Enhance Your Regulator's Performance (for 110 & 310 series only)

Z-Valve option allows several zones to be shut off if molding is interrupted. Saves water. Prevents unnecessary cool-down. 24 v. connection and water filter included. Default location is Zone 1, unless otherwise specified.



E-Valve automatically shuts off flow to a specific zone to avoid over-cooling sensitive circuits. Must specify Zone for valve.



The Dry-Out Valve option allows complete clean-out of the Regulator and mold channels by compressed air. Special manifold block provided. Default location is last Zone, unless otherwise specified.

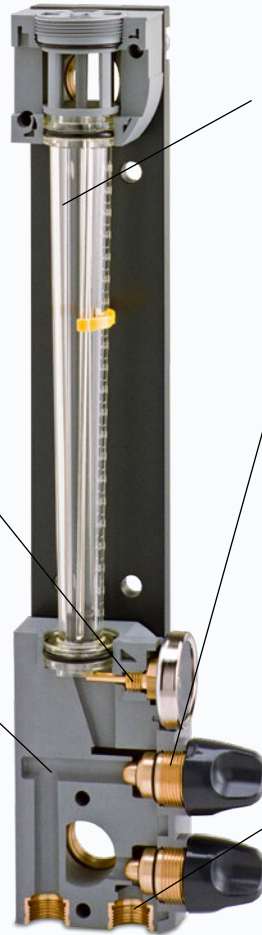


Water Flow Regulators

Here's what our competitors don't want you to know:

Thermometer is directly in the water flow giving a more precise reading and a quicker reaction to changes. Competitors' thermometers are not in water flow path.

Enlarged water passages minimize flow restrictions, deliver increased flow volume through the mold and enhance heat transfer performance. In fact, pressure drop from these EMI regulators is about half that of competitive units. That's an important difference if plant water pressure is low.



Our sight tube is polyamide 12 which is superior, compared to competitors' polycarbonate, when higher temperature water is used.

Competitors' regulators include a large diameter valve for the main seat which means regulation is not precise. With a very small movement of the handwheel, the valve is opened almost completely. Our units have a smaller diameter seat which allows better adjustment of flow.

EMI flow regulators include $\frac{3}{8}$ " precision, threaded brass inserts for your water hose connections, unlike poorly designed regulators which use leak-prone molded threads which can strip easily.



Quality, precision engineering and rugged construction are evident in EMI Flow Regulators: housings molded of reinforced polyphenylene oxide for tough industrial use; sight glasses molded of polyamide 12 to stand up to high water temperatures; reference marks are molded in, not painted on; EPDM o-ring seals are heat and water resistant; all brass valve construction prevents leaks; large water passages minimize pressure drop and increase flow volumes. All brass models are available for applications above 180°F, see page 156.

Easy to clean sight glasses

By simply unscrewing a plug, located at the top of the housing, and inserting the specially designed brush, the glass can be easily brushed clean . . . without having to be removed from the housing.

Sight glasses and o-rings can be replaced without taking the unit apart

Sight glasses and / or o-rings can be easily withdrawn through the upper housing, with no need to disassemble the entire unit. Because the main body of the unit remains intact, the chance of leaks developing has been almost eliminated.

Water Flow Regulators Series 110

2.6 GPM (10 LPM) per zone maximum

3/4" NPT supply

Features:

- Individual circuit regulation valves to eliminate flow fluctuations.
- Reference marks are molded into, not painted on the sight glasses.
- Internal composite floats along with external, adjustable sight glass tube rings.
- 100% leak tested before shipping.
- Each water flow regulator comes with a cleaning brush & tool.
- Standard: mold connections with 3/8" NPT brass threaded sleeve.
- See optional valves on page 146.



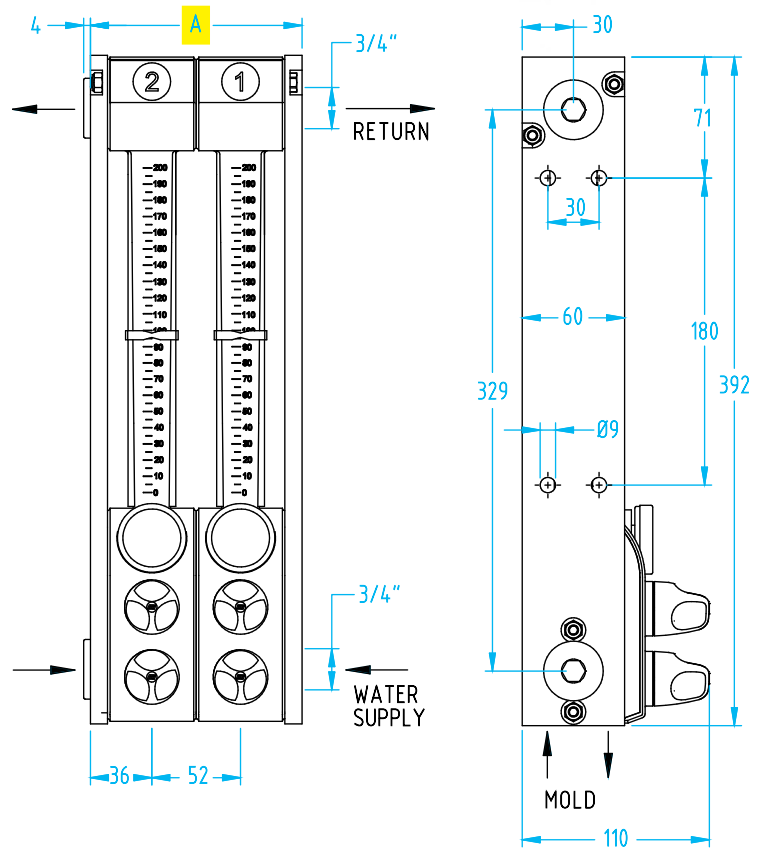
Water Flow Regulators Series 110

Quick#	Part#	# of Zones	A (mm)	Price
W182	WFR110-1	1	72	\$238.00
W183	WFR110-2	2	124	\$346.00
W184	WFR110-4	4	229	\$527.00
W185	WFR110-6	6	334	\$699.00
W186	WFR110-8	8	439	\$889.00
W187	WFR110-10	10	543	\$1,071.00
W188	WFR110-12	12	647	\$1,252.00

When ordering, use Quick#s to ensure order accuracy.

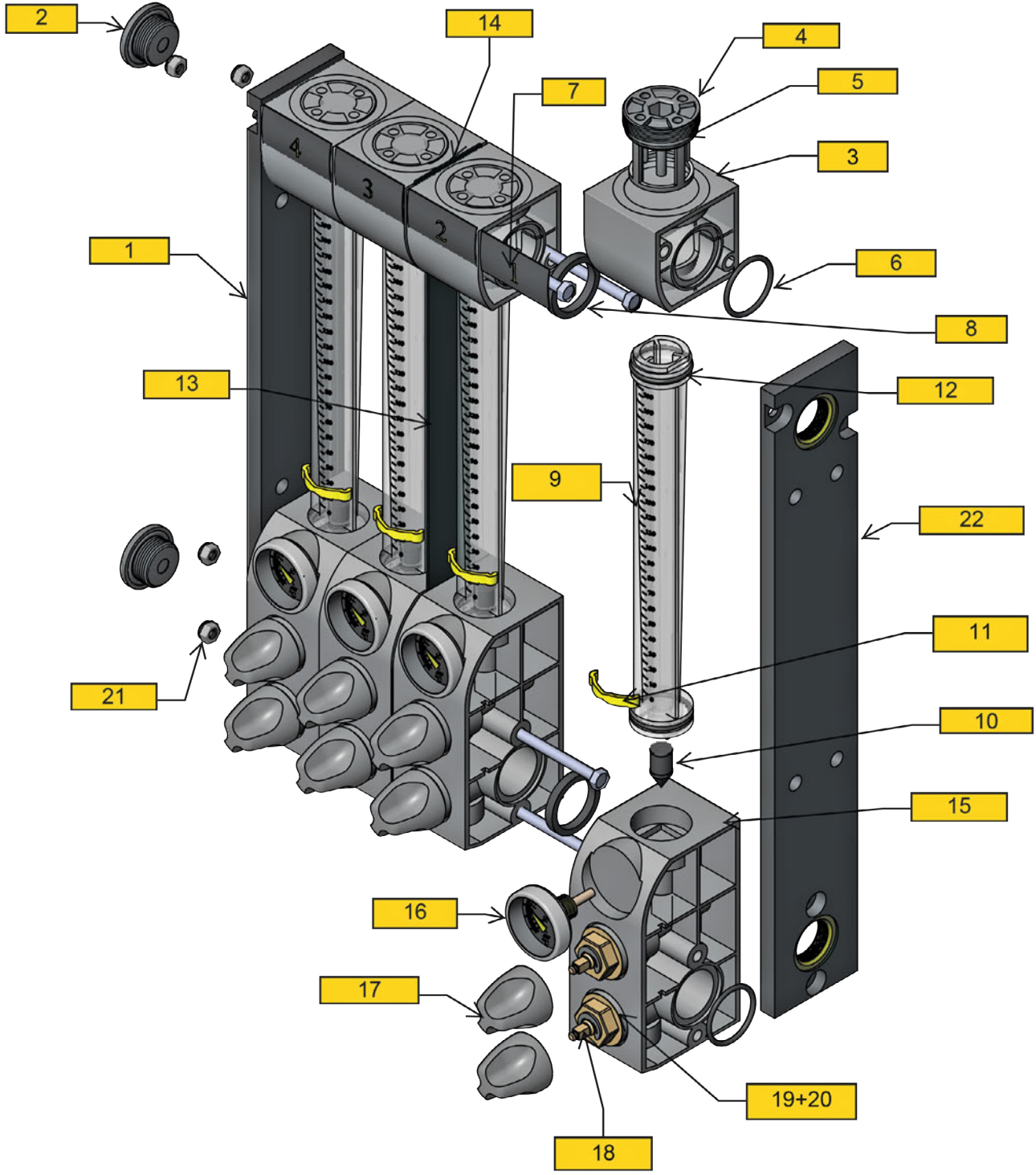
Specifications

Maximum Pressure	Maximum Temperature
145 psi (10 bar)	104°F (40°C)
116 psi (8 bar)	140°F (60°C)
87 psi (6 bar)	176°F (80°C)
58 psi (4 bar)	212°F (100°C)



Water Flow Regulators Series 110

Exploded View



Water Flow Regulators Series 110

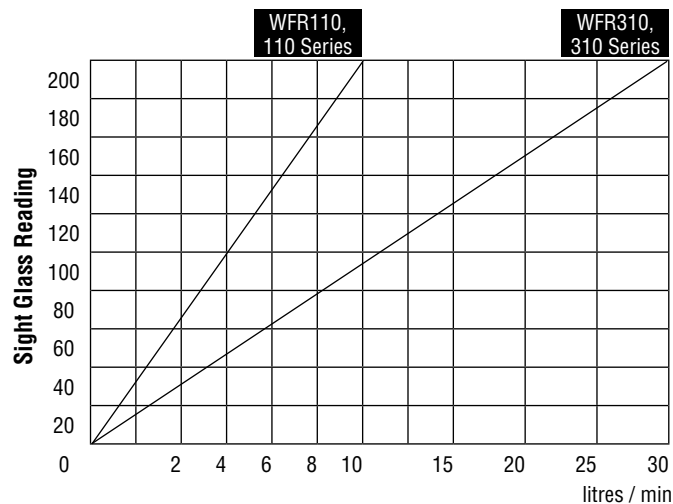
Parts List

2.6 GPM units (also Wittmann series 110)

Item	Quick#	Part#	Description
1	WP218	D900000342	Left Side End Plate 3/4" NPT
2	WP219	D900000343	Plug w/ O-ring
3	WP221	D800001173	Upper Manifold-w/Plug
4	WP222	D900000883	Upper Manifold Plug Cap w/ O-ring
5	WP229	MD00000202	O-ring 33mmX2mm
6	WP224	MD00000013	O-ring-29.82mmX2.62mm
7	WP223	D700001338	Label Set 1-12
8	WP225	D700000079	Joint Ring-35mmX28mmX4.8mm
9	WP226	D900001198	Sight Glass Assembly
10	WP227	D700000593	Composite Float
11	WP228	D700000036	Indicator Ring
12	WP213	MD00000007	O-ring-26.65mmX2.62mm
13	WP230	D900000321	Center Plate w/ O-ring
14	WP231	D700000078	Center Plate O-ring
15	WP232	D900001162	Lower Manifold w/ Valve & Thermometer
16	WP209	D700000726	Thermometer
17	WP233	D700001169	Adjustment Knob
18	WP234	D800001524	Control Valve w/ O-rings
19	WP235	MD00000329	Control Valve O-ring 12mmX2mm
20	WP236	MD00000355	Control Valve O-ring 18mmX2mm
21		CALL	Nut/Screw, Specify Zones
22	WP237	D900000341	Right Side End Plate 3/4" NPT
23	WP217	D700000125	Cleaning Brush (not shown)

Note: Cleaning brush comes standard with 110 and 310 series Water Flow Regulators.

When ordering, use Quick#s to ensure order accuracy.



Flow Chart for WFR110 and WFR310