

Machine Dimensions Form

Company:

Telephone:

Name:

Email:

Date:

Quote

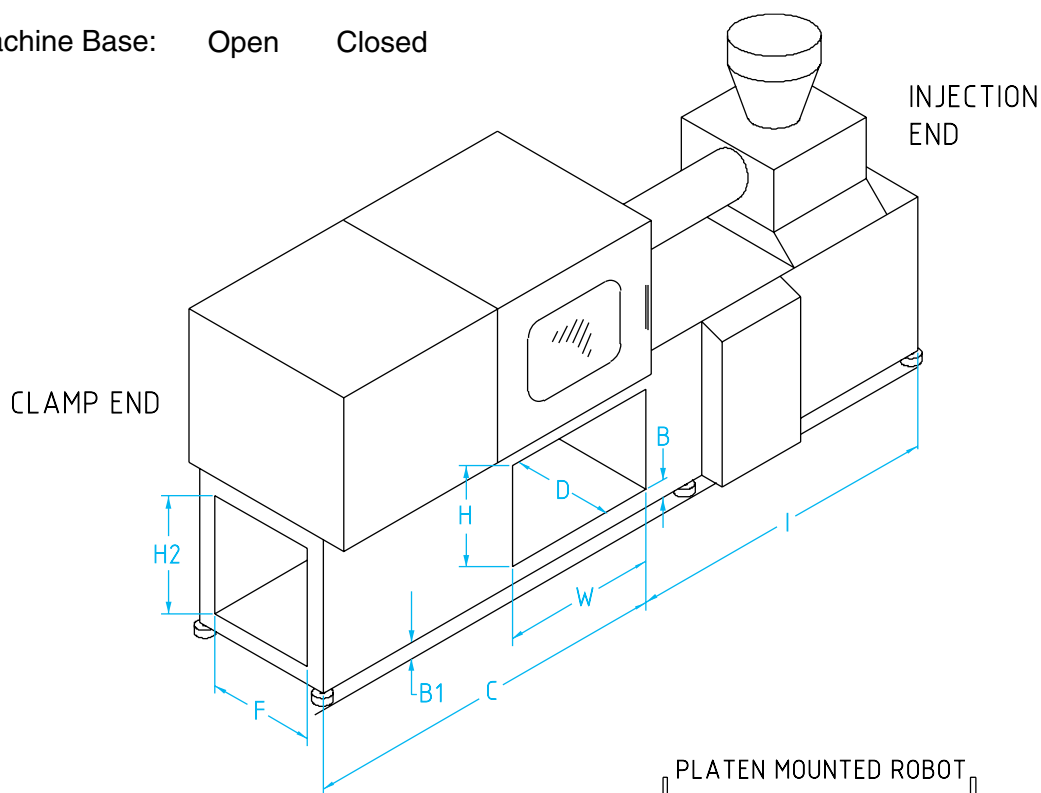
Order

Quote #:

Machine #:

Make / Size:

Machine Base: Open Closed



D	
W	
H	
H2	
B	
B1	
F	
C	
I	
K	
X1 X2	
Y1 Y2	
G1 G2	
S1 S2	
R1 R2	
P1 P2	

