

Vacuum Pump – Schmalz SBPL

The Schmalz SBPL is a basic multi-cartridge generator with high-end suction flow capacity for handling cardboard boxes, packaging materials, insulating materials and other porous materials. High flow capabilities make these generators a good choice for a centralized vacuum system, but depending on application can be deployed as decentralized given their light weight build.



- Working vacuum is reached very quickly due to multi-stage ejectors generating vacuum.
- Add or change out hose fittings as necessary to work with the hardware and hose you prefer, see additional fitting options on the next page.
- Modular construction allows for easy maintenance and simplified modification.
- Integrate vacuum sensors (pg 186–187) for added part confirmation capabilities.

Quick#	Part#	Price	Max Vacuum Level*	Max Suction Flow*		Air Consumption*		Std. Supply Pressure		Wt
				CFM	l/min	CFM	l/min	psi	Bar	
8819	SBPL-25-HF	\$387.60	60%	10.24 CFM	290 l/min	2.82 CFM	80 l/min	65 psi	4.5 Bar	800g
8820	SBPL-50-HF	\$471.32	60%	17.65 CFM	500 l/min	5.65 CFM	160 l/min	65 psi	4.5 Bar	800g
8821	SBPL-100-HF	\$777.50	60%	30.37 CFM	860 l/min	10.59 CFM	300 l/min	65 psi	4.5 Bar	1100g

*Values listed are achieved when supplied at the listed standard supply pressure.





Vacuum Pump – Schmalz SBPL

(Dimensioned drawings shown at 50% scale)

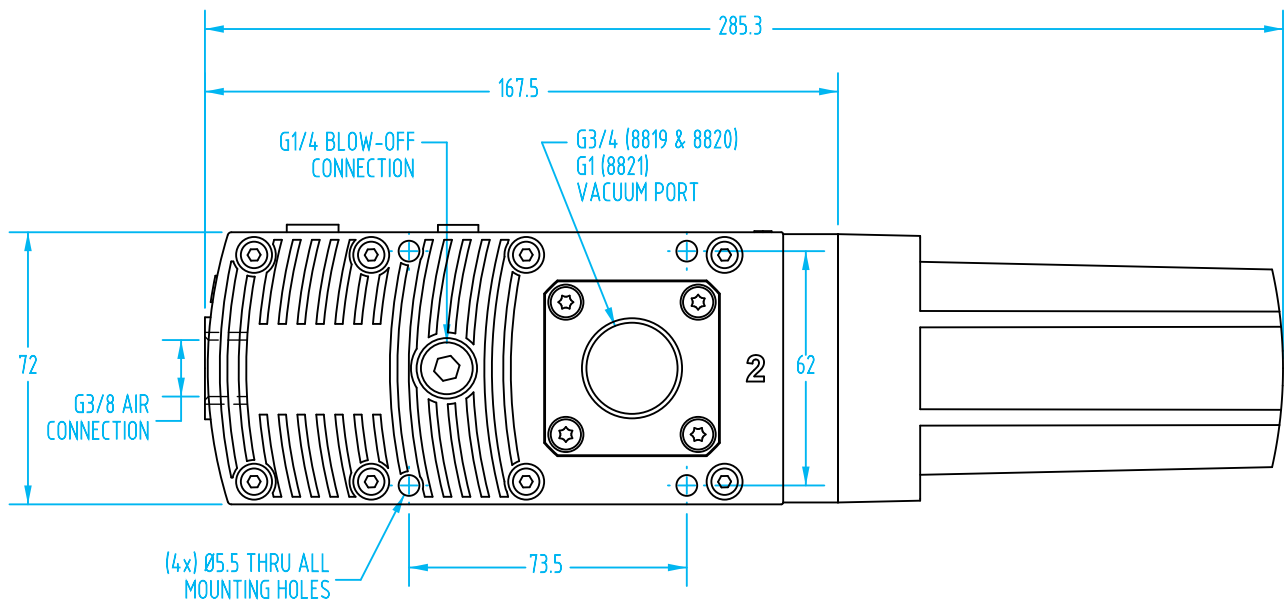
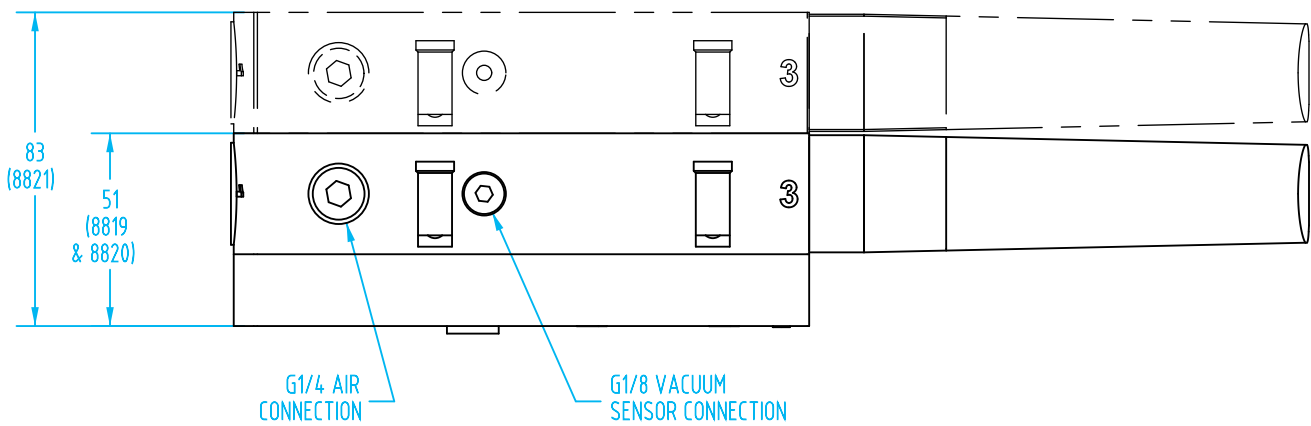


#8823

Schmalz SBPL Vacuum Pump Hose Fittings

Quick#	Part#	Recommended For	Vacuum Hose*	Compressed Air Tube*	Wt.	Price
8823	ST-20-AL-EL	Size 25 Q# 8819	Ø20mm ID	Ø6mm ID or more	46.5g	\$29.90
8824	ST-25-AL-EL	Size 50 Q# 8820	Ø25mm ID	Ø6mm ID or more	50.5g	\$29.90
8825	ST-32-AL-EL	Size 100-150 Q# 8821	Ø32mm ID	Ø9mm ID or more	58g	\$29.90

*Requirements are application dependent, contact Cobots@EMICorp.com for assistance



- CU
- QC
- VG
- VC
- VA
- SG
- GR
- MT
- AC
- CS
- CC