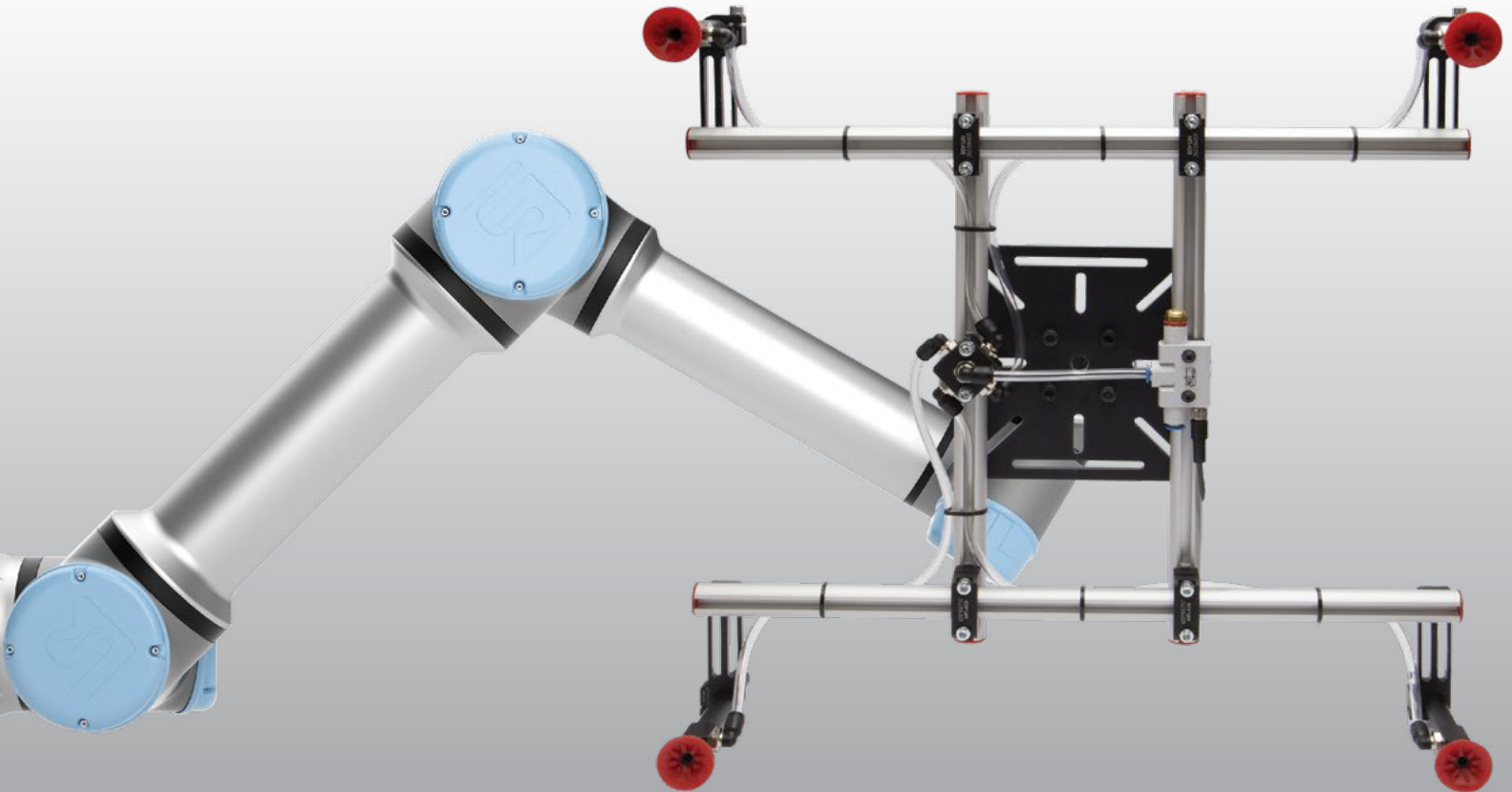


EMI Vacuum Kit – MPK for Collaborative Robots

EMI's MPK for Industrial Cobots is a modular and durable vacuum end effector. A lightweight, extruded aluminum frame offers versatility so it can be used for different tasks with minimal setup time. Completely modular and lightweight, the MPK is a great starting point for most vacuum applications and can easily be expanded with EMI's complete line up of EOAT framing, suspensions, general and specialty grippers, vacuum cups and more. All in stock, ready to ship with a team of Engineers ready to assist you with your application.



Pneumatic Modular Profile Kit

- **Modular and Lightweight Aluminum Frame** with two anodized aluminum ISO-9409-1-50-4-M6 mount plates.
- **Includes 3 Sets of Vacuum Cups:** High Temperature Silicone, Non-Marking Hithane and Dual Durometer for textured parts.
- **Integrated Vacuum Generator** with a monitoring switch for part confirmation.
- **Up to 450mm x 450mm footprint!**
- EMI's URcap and Sample CAD Models for easy assembly and programming.



Also available for Sawyer and other cobots!

Quick# 8005 - CRK-MPK1-A
KIT PRICE: US\$ 995.00



Everything you need to get your Cobot up and running for vacuum applications. EMI's Modular Profile Kit includes 2 size mounting plates, 3-different length profiles (450mm, 350mm, 200mm), 3 style vacuum cups, vacuum posts, cross clamps, manifold, fittings, vacuum generator with integrated sensing, 5/2 on-arm solenoid valve, cable management clamps, tubing, wiring harness and all the necessary hardware to build your own custom configured vacuum tooling to fit your application.



Two cable management clamps with non-slip Velcro strap.



#8091 with silencer #8069



Quick# 8016

5/2 Solenoid Valve with fittings, mufflers, and non-slip Velcro strap.



Interface plates and URCap make attaching and programming on Universal Robots fast and easy.



Easy to Assemble and Modify! The USB Drive includes several CAD models of assemblies pre-designed by our EOAT Engineers.