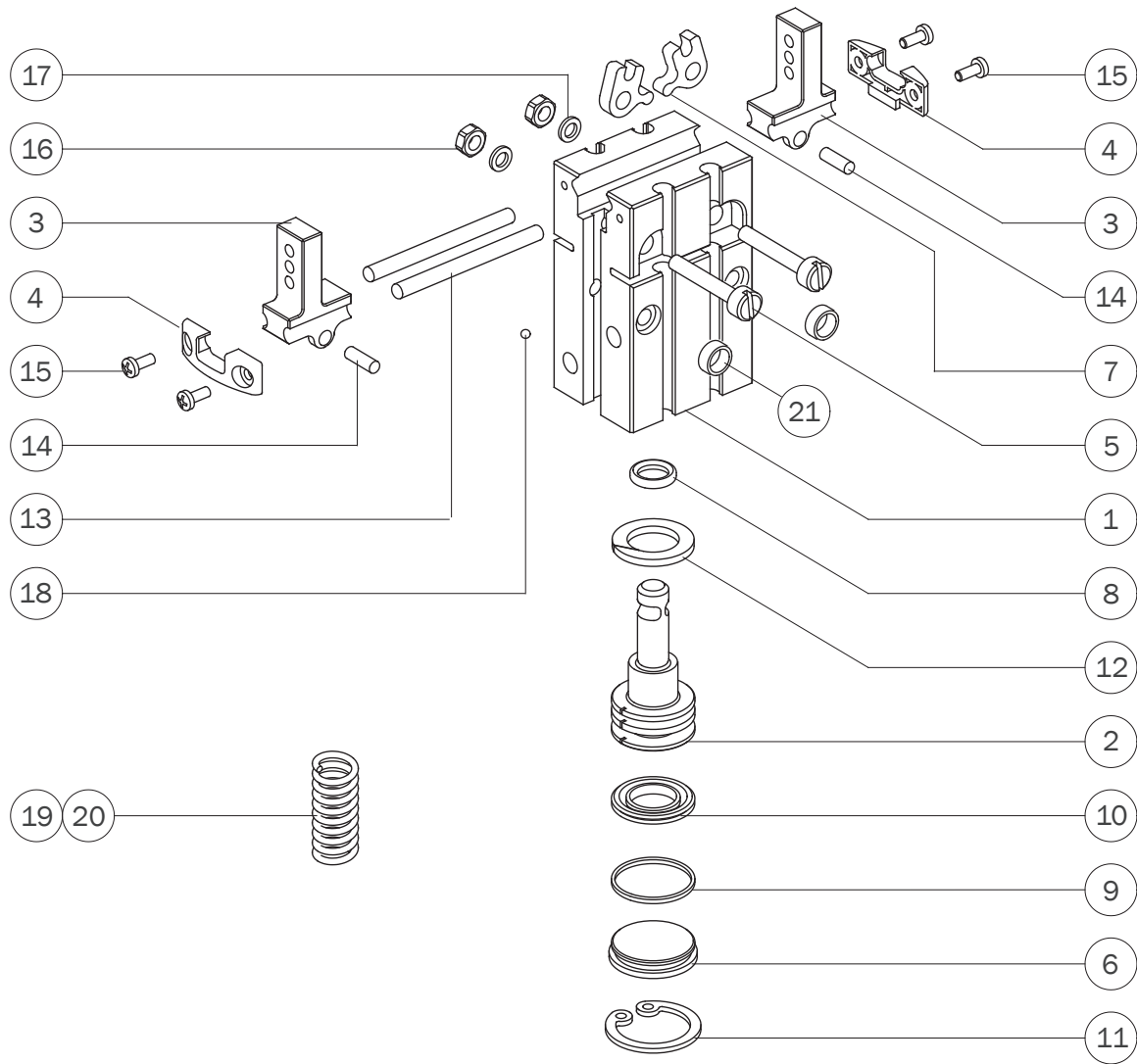
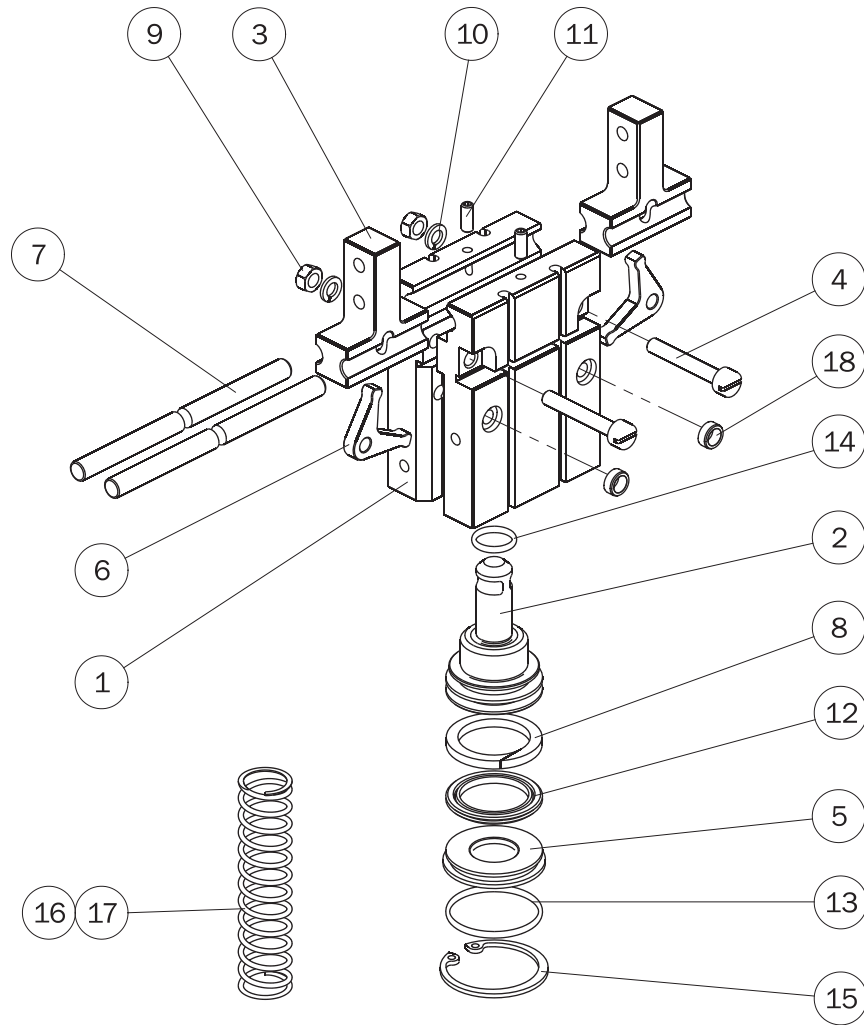


Part list



		GS-10	GS-16	GS-20	GS-25		
1	Gripper housing	GS-10-01	GS-16-01	GS-20-01	GS-25-01		
2	Piston	GS-10-02	GS-16-02	GS-20-02	GS-25-02		
3	Jaw	GS-10-03	GS-16-03	GS-20-03	GS-25-03		
4	Head cap	GS-10-04	GS-16-04	GS-20-04	GS-25-04		
5	Special screw	GS-10-05	GS-16-05	GS-20-05	GS-25-05		
6	Cap	GS-10-06	GS-16-06	GS-20-06	GS-25-06		
7	Lever	SP-20-4	SP-25-4	JP-32-3	GS-25-07		
8	O-RING gasket	Ø1x5 (GUAR-021)	Ø1.78x6.07 (GUAR-039)	Ø1.78x6.75 (GUAR-012)	Ø1.78x7.66 (GUAR-045)		
9	O-RING gasket	Ø1.78x6.75 (GUAR-012)	Ø1x14 (GUAR-084)	Ø1.78x17.17 (GUAR-076)	Ø1.78x21.95 (GUAR-025)		
10	Dynamic gasket	10x5x2.4 (GUAR-106E)	16x9x2.5 (GUAR-002P)	20x13x2.5 (GUAR-040P)	25x18x2.4 (GUAR-003M)		
11	Retaining ring	Ø11 mm DIN 472	Ø17 mm DIN 472	Ø21 mm DIN 472	Ø26 mm DIN 472		
12	Magnet	GS-10-11	PAR-16-10B	PAR-20-10B	PAR-25-10B		
13	Dowel pin	Ø2.5x26 mm DIN 5402	Ø3x36 mm DIN 6325	Ø4x45 mm DIN 6325	Ø4x60 mm DIN 6325		
14	Dowel pin	Ø2x5.1 mm DIN 5402	Ø2.5x7.8 mm DIN 5402	Ø3x10 mm DIN 6325	Ø4x12 mm DIN 6325		
15	Screw	M2x5 mm DIN 7985A	M2x5 mm DIN 7985A	M2x5 mm DIN 7985A	M2.5x5 mm DIN 7985A		
16	Nut	M2 UNI 5587	M3 DIN 934	M4 DIN 934	M4 DIN 934		
17	Washers	Ø2.2 mm DIN 125A	Ø3.2 mm DIN 127A	Ø4.3 mm DIN 127A	Ø4.3 mm DIN 127A		
18	Screw	Ø2 mm AA DIN 5401 A	-	-	-		
19	Spring (only NC)	GS-10-08	PAR-16-11B	GS-20-08	GS-25-08		
20	Spring (only NO)	GS-10-09	PAR-16-12B	PAR-20-12B	GS-25-09		
21	Centering sleeve	ZBH-5	SZ16-10	ZBH-7	ZBH-9		

Part list



		GS-32	GS-40		
1	Gripper housing	GS-32-01	GS-40-01		
2	Piston	GS-32-02	GS-40-02		
3	Jaw	GS-32-03	GS-40-03		
4	Special screw	GS-32-05	GS-40-05		
5	Cap	GS-32-06	GS-40-06		
6	Lever	GS-32-07	GS-40-07		
7	Dowel pin	GS-32-19	GS-40-19		
8	Magnet	FES-32-3-5	T40-10		
9	Nut	M5 DIN934 Z/B	M8 DIN439B INOX A2		
10	Washers	Ø5 UNI1751-B Z/B	M8 BN 729		
11	Grub screw	M4x10 mm DIN912 INOX	M5x12 mm DIN913 INOX		
12	Dynamic gasket	Ø32x23x3 (GUAR-004P)	Ø40x31x3 (GUAR-006P)		
13	O-Ring	Ø1.78x28.30 (GUAR-016)	Ø1.78x31.47 (GUAR-009)		
14	O-Ring	Ø1.78x11.89 (GUAR-095)	Ø1.78x14 (GUAR-007)		
15	Retaining ring	Ø34 DIN472 Z/B	Ø41 DIN472 Z/B		
16	Spring (only NC)	GS-32-20	GS-40-20		
17	Spring (only NO)	GS-32-21	GS-40-21		
18	Centering sleeve	ZBH-9	ZBH-12		