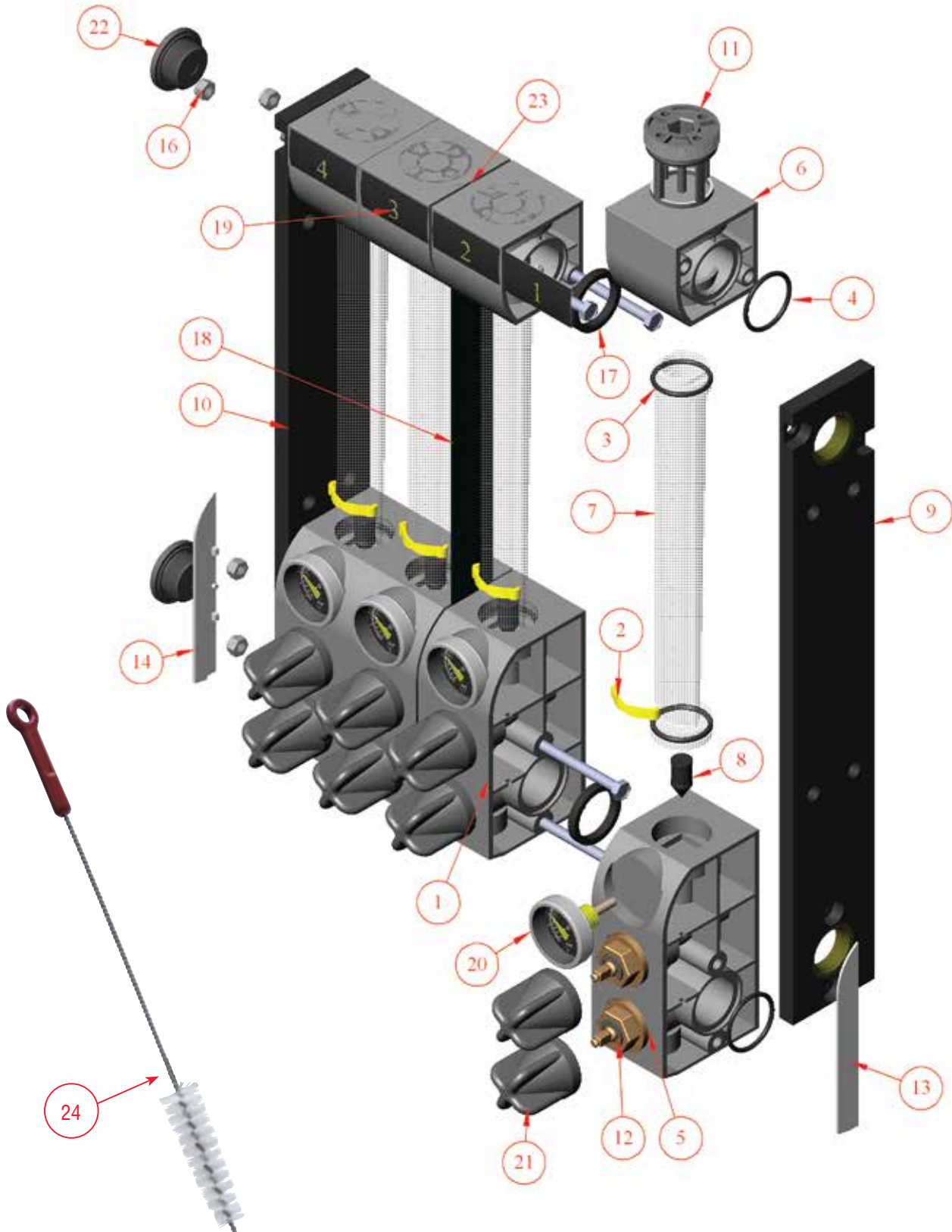


2003 Series Water Flow Regulators

Exploded View and Parts List



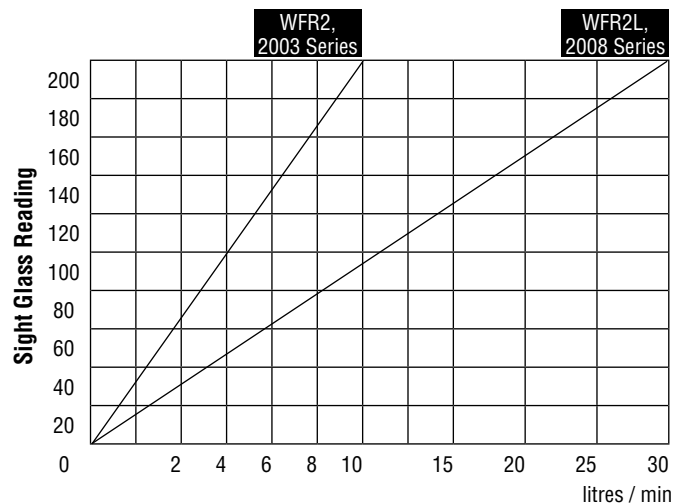
2003 Series Water Flow Regulators

Parts List

EMI series 2003: 2.6 GPM units (also Wittmann series 101)

Item	Quick#	Part#	Description	Price
1	W103	WFR2-002	Lower Manifold	\$105.00
2	W133	WFR-009	Indicator Ring	\$1.25
3	W138	WFR-010	O-Ring, 26.65 x 2.62	\$1.00
4	W112	WFR-011	O-Ring, 29.83 x 2.62	\$1.00
5	W139	WFR-012	O-Ring, for Control Valve	\$1.00
6	W105	WFR2-001-P	Upper Manifold	\$47.00
7	W108	WFR2-005	Sight Glass Complete	\$26.00
8	W109	WFR2-013	Composite Float, 2.6 GPM	\$3.50
9	W116	WFR2-018	End Plate, Right	\$58.50
10	W118	WFR2-018-L	End Plate, Left	\$58.50
11	W136	WFR2-027-P	Plug (Filler Cap Assembly)	\$9.50
12	W106	WFR-006	Control Valve Assembly	\$28.00
13	W141	WFR2-034	Right Side Cover	\$2.50
14	WP34	WFR2-036	Left Side Cover	\$2.50
16	W121	WFR2-016-2	Nut/Screw, for 2 zone	\$3.28
	W122	WFR2-016-4	Nut/Screw, for 4 zone	\$3.75
	W123	WFR2-016-6	Nut/Screw, for 6 zone	\$5.00
	W124	WFR2-016-8	Nut/Screw, for 8 zone	\$7.00
	W125	WFR2-016-10	Nut/Screw, for 10 zone	\$8.00
	W126	WFR2-016-12	Nut/Screw, for 12 zone	\$10.00
17	W115	WFR-015	Joint Ring, 35 x 28 x 4.8	\$1.25
18	W120	WFR2-019	Center Plate	\$26.00
19	W135	Call	Label (call, must specify # of zones)	\$12.00
20	W134	WFR2-004	Thermometer	\$28.00
21	W111	WFR2-003	Adjusting Knob	\$6.00
22	W113	WFR2-021	Plug KS G 3/4"	\$4.75
23	W114	WFR-026	Center Plate O-Ring	\$1.25
24	W143	WFR-brush	Cleaning Brush	\$5.00

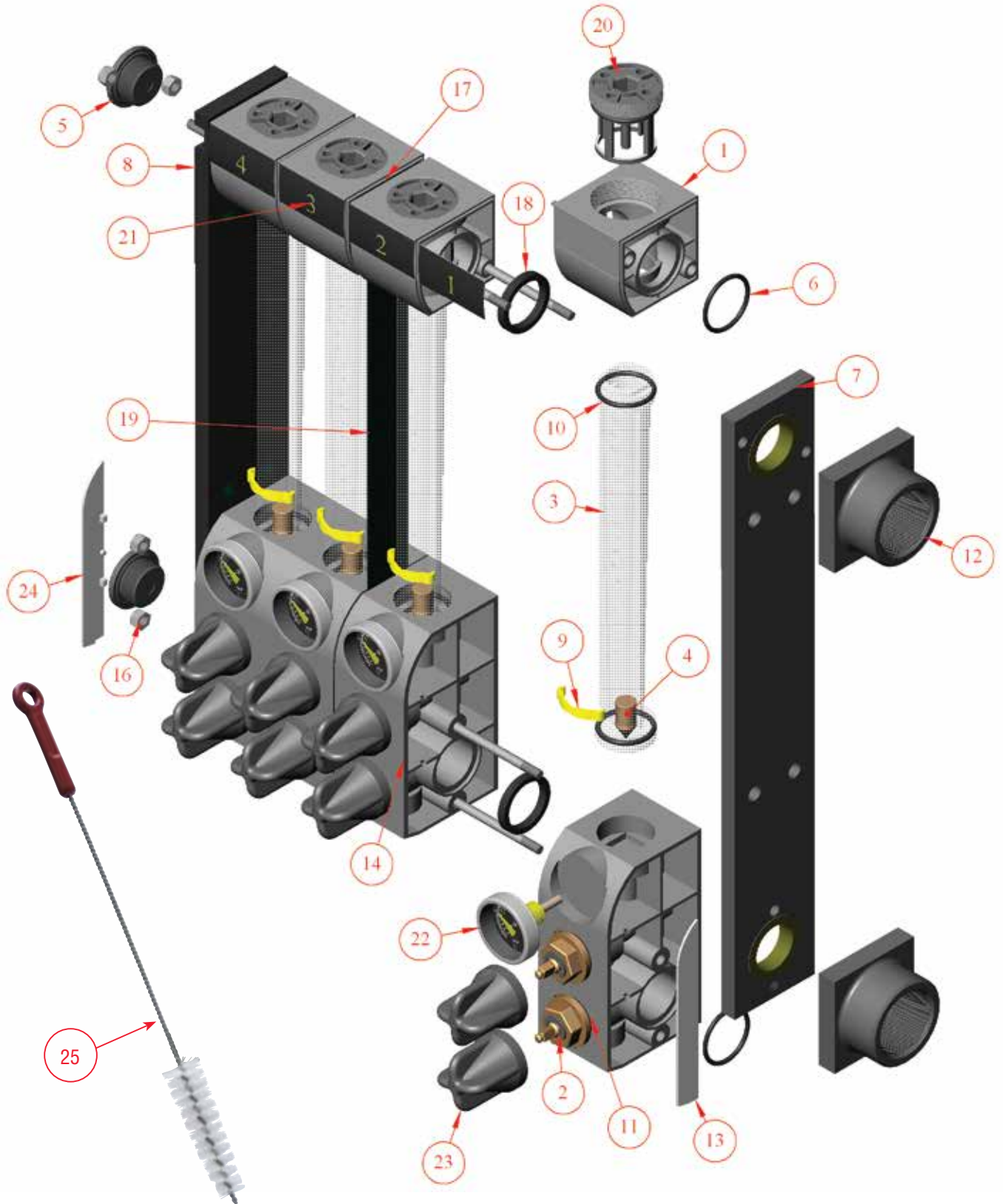
Note: Cleaning brush comes standard with 2003 and 2008 series Water Flow Regulators.



Flow Chart for WFR2 and WFR2L

2008 Series Water Flow Regulators

Exploded View and Parts List



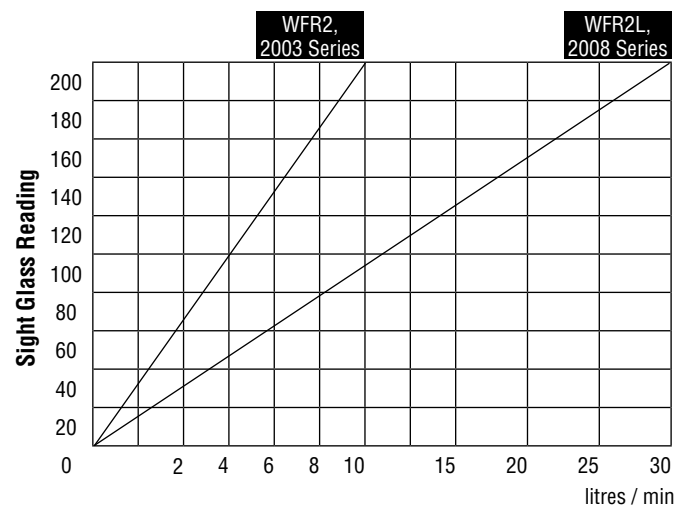
2008 Series Water Flow Regulators

Parts List

EMI series 2008: 8 GPM units (also Wittmann series 301)

Item	Quick#	Part#	Description	Price
1	W105	WFR2-001	Upper Manifold	\$47.00
2	W107	WFRL-006	Control Valve Complete	\$28.00
3	W108	WFR2-005	Sight Glass Complete	\$26.00
4	W110	WFRL-013	Brass Float, 8 GPM	\$3.50
5	W113	WFR2-021	Plug KS G 3/4"	\$4.75
6	W112	WFR-011	O-Ring, 29.83 x 2.62	\$1.00
7	W117	WFR2L-018	End Plate, Right	\$96.00
8	W119	WFR2L-018-L	End Plate, Left	\$96.00
9	W133	WFR-009	Indicator Ring	\$1.25
10	W138	WFR-010	O-Ring, 26.65 x 2.62	\$1.00
11	W139	WFR-012	O-Ring, for Control Valve	\$1.00
12	W142	WFR2L-021	Connecting Piece	\$61.00
13	W141	WFR2-034	Right Side Cover	\$2.50
14	W104	WFR2L-002	Lower Manifold	\$105.00
16	W127	WFR2L-016-2	Nut/Screw, for 2 zone	\$4.50
	W128	WFR2L-016-4	Nut/Screw, for 4 zone	\$5.50
	W129	WFR2L-016-6	Nut/Screw, for 6 zone	\$6.50
	W130	WFR2L-016-8	Nut/Screw, for 8 zone	\$7.50
	W131	WFR2L-016-10	Nut/Screw, for 10 zone	\$8.50
	W132	WFR2L-016-12	Nut/Screw, for 12 zone	\$10.50
17	W114	WFR-026	Center Plate O-Ring	\$1.25
18	W115	WFR-015	Joint Ring, 35 x 28 x 4.8	\$1.25
19	W120	WFR2-019	Center Plate	\$26.00
20	W136	WFR2-027-P	Plug (Filler Cap Assembly)	\$9.50
21	W135	Call	Label (call, must specify # of zones)	\$12.00
22	W134	WFR2-004	Thermometer	\$28.00
23	W111	WFR2-003	Adjusting Knob	\$6.00
24	WP34	WFR2-036	Left Side Cover	\$2.50
25	W143	WFR-brush	Cleaning Brush	\$5.00

Note: Cleaning brush comes standard with 2003 and 2008 series Water Flow Regulators.



Flow Chart for WFR2 and WFR2L