

# Painted Steel Water Manifolds

Part Number: K-L-2S2

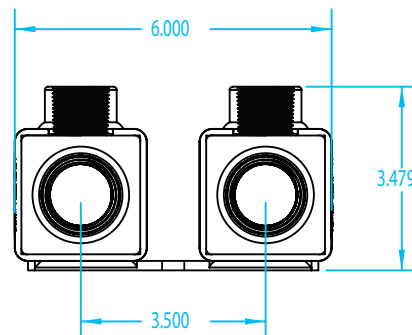
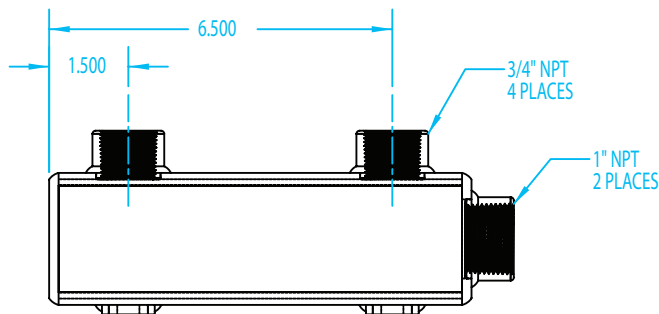
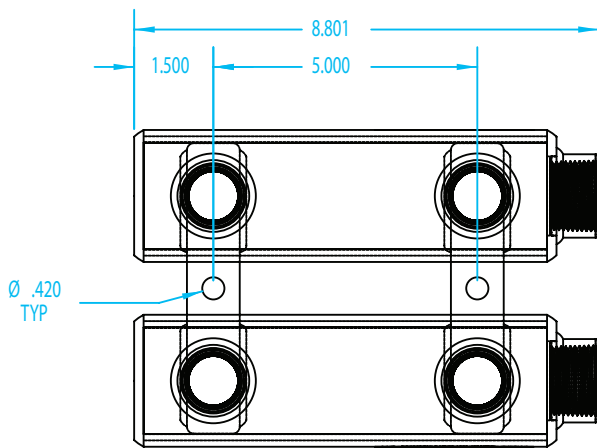
Quick Number: W049

Painted Steel Water Manifolds can reduce the number of hoses to the mold and help to keep hoses tidy. Steel manifolds can be mounted close to the mold to provide maximum flow volumes.

Call 216-535-4848 or email [Sales@EMPlastics.com](mailto:Sales@EMPlastics.com) to order.



## Dimensions



## Features:

- Manufactured from heavy-gauge mild steel
- Threaded couplings are welded in place
- Pre-drilled mounting brackets for easy mounting
- Pressured rated to 120 psi
- Temperature rated to 180° F