

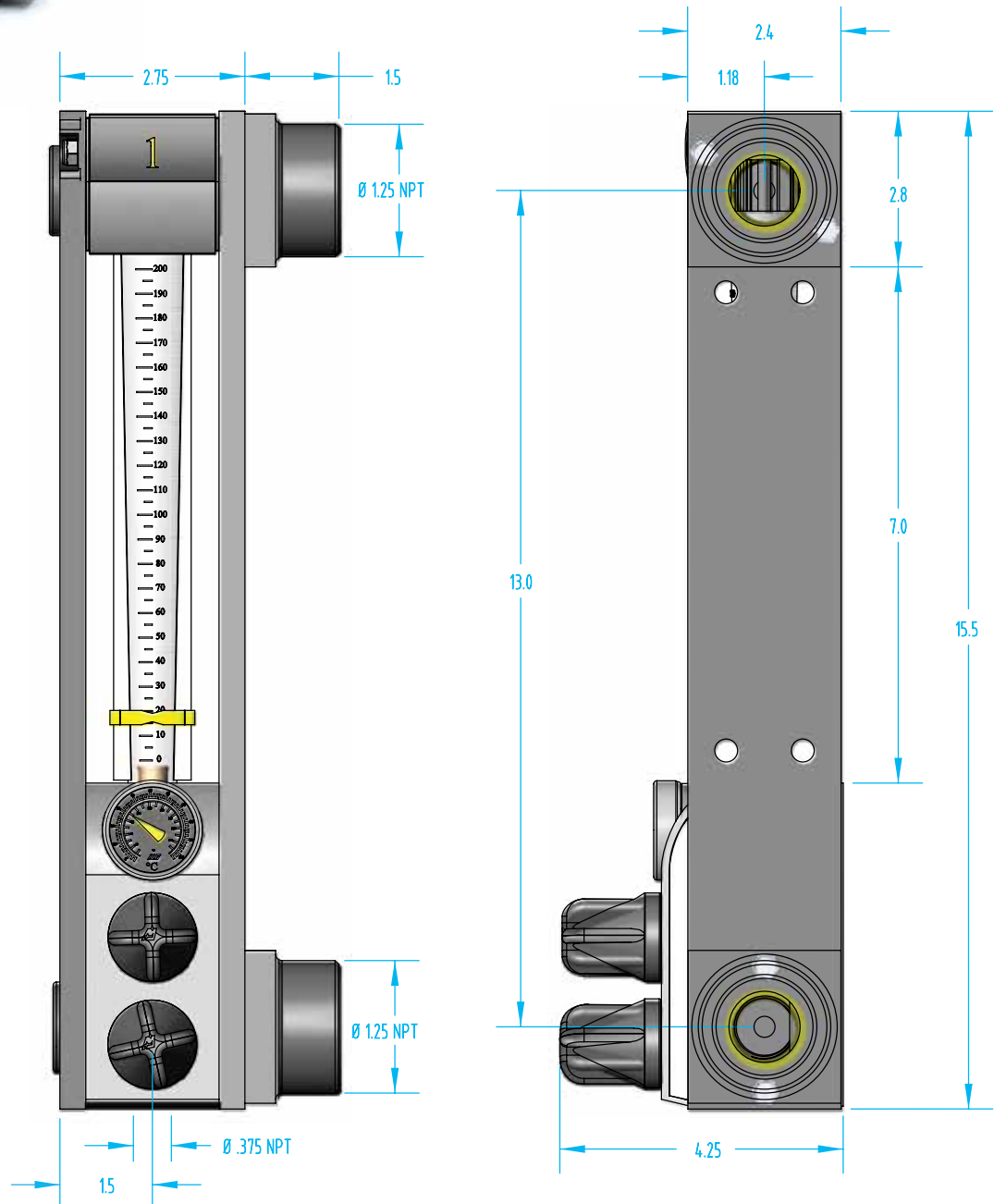
Series 2008 Water Flow Regulators

8 GPM per zone maximum

1 1/4" NPT supply



Quick#	Part#	Number of Zones	Price
W087	WFR2L-1	1	\$161.00
Options			
W084	WFR2 002Z	Z valve	\$210.00
W085	WFR2 002E	E valve	\$140.00
W086	WFR2 002D	Dry valve	\$115.00



Water Management