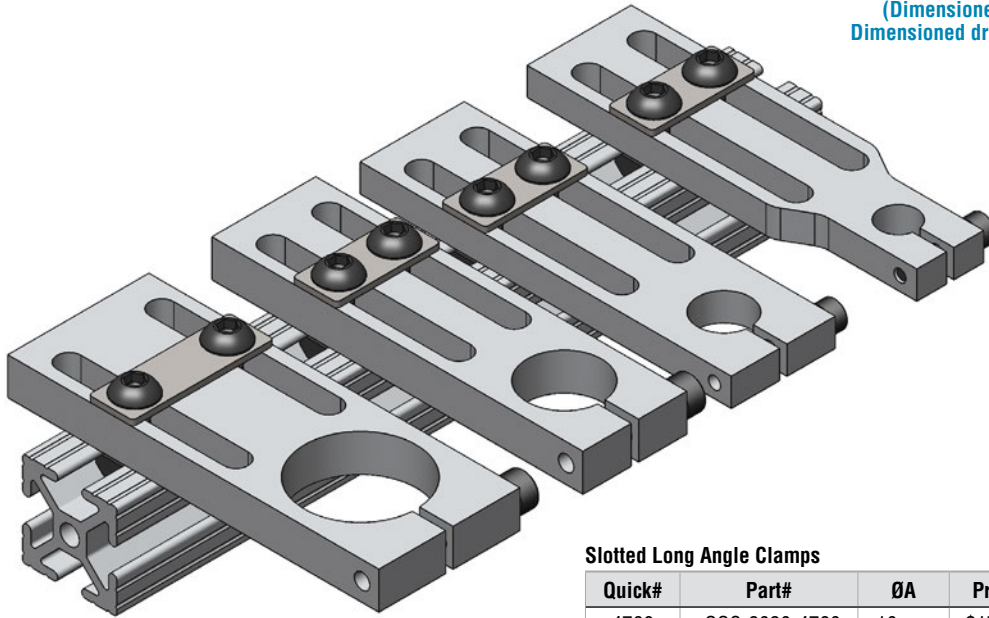


Slotted Long Clamps for 80/20

(Dimensioned drawings shown full scale)
Dimensioned drawings shown in Inches & (mm).



Slotted Long Angle Clamps

Quick#	Part#	ØA	Price	Wt.
4760	GSC-8020-4760	10mm	\$17.50	55g
4761	GSC-8020-4761	14mm	\$21.90	60g
4762	GSC-8020-4762	20mm	\$23.10	71g
4763	GSC-8020-4763	30mm	\$25.90	92g

Includes fasteners: M6 button head socket cap screws and standard T-nuts.

