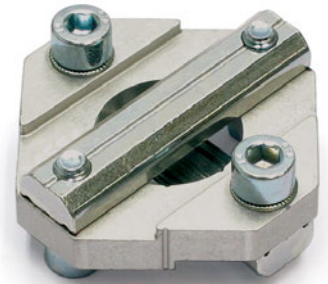
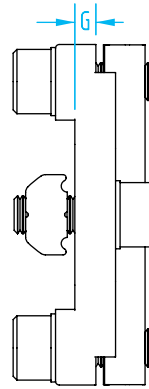
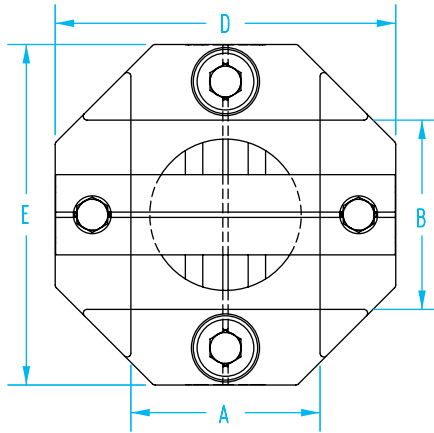


Cross Joint Connectors



#3053



NEW

Adjustable Cross Joint Connector

Quick#	Part#	For	Price
3897	KPL-D-JU-40	X / JU Profile	\$38.28

Visit www.EMlcorp.com for dimensional drawing.

Cross Joint Connector

Quick#	Part#	>ASS< #	Price	A	B	D	E	G	Wt.
3052	KPL18-18L	1-120-55-00	\$21.00	18	18	38	38	3	37g
3692	KPL25X-L18	1-120-57-00	\$27.30	25	18	45	38	4	61g
3053	KPL25-25X	1-120-65-00	\$24.68	25	25	45	45	4	61g
3054	KPL25-50X	1-120-70-00	\$27.30	25	50	45	70	4	110g
3693	KPL40J-X25	1-120-76-00	\$33.08	25	40	45	60	4	112g
3694	KPL80J-X25	1-120-83-00	\$49.35	25	80	45	100	4	164g
3055	KPL50-50X	1-120-75-00	\$30.45	50	50	70	70	4	180g
3696	KPL50-40J	1-120-98-00	\$48.30	50	40	70	60	4	152g
3695	KPL80J-50X	1-120-95-00	\$53.03	50	80	70	100	4	227g
3056	KPL40-40J	1-120-82-00	\$27.30	40	40	60	60	4	113g
3057	KPL80-40J	1-120-87-00	\$31.50	80	40	100	60	4	187g
3058	KPL80-80J	1-120-93-00	\$41.48	80	80	100	100	4	298g

Use with profile size

Application Examples

