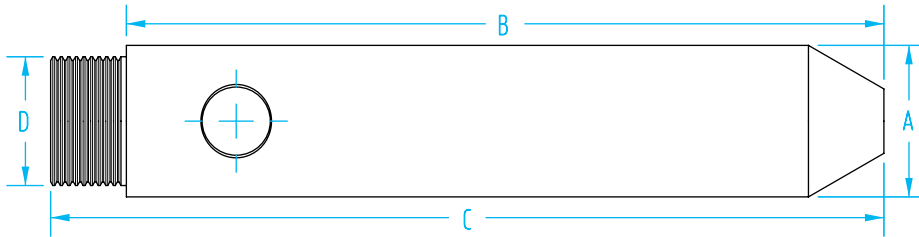


Centering Pin and Extension

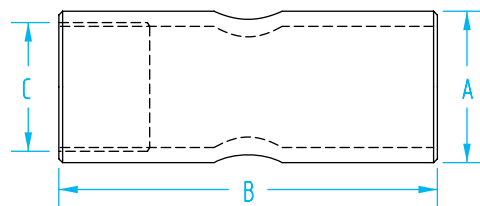
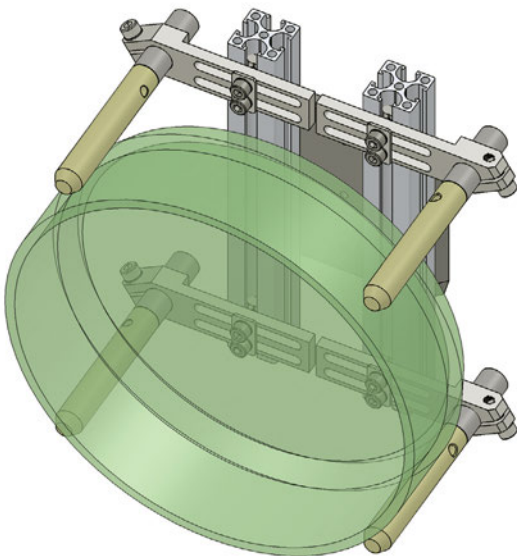
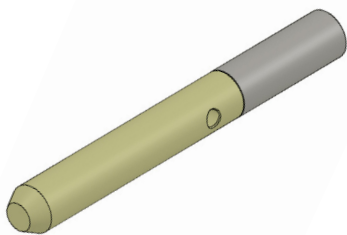
- Finger stops found on pages 526–528 can be used with centering pins to help position a part.



Centering Pin

Quick#	Part#	>ASS< #	Price	A	B	C	D	Wt.
3532	ZTB10	1-790-20-00	\$22.05	10	60	68	M8x1	7g
3561	ZTB14	1-790-23-00	\$22.05	14	80	88	M12x1	18g
3382	ZTB20	1-790-29-00	\$22.05	20	100	110	M17x1	36g
3383	ZTB30	1-790-35-00	\$26.25	30	100	110	M27x1	82g

Application Example



Extension Tube

Quick#	Part#	>ASS< #	Price	A	B	C	Wt.
3562	VLR10-30	1-735-03-00	\$8.40	10	30	M8x1	3g
3563	VLR10-60	1-735-06-00	\$8.40	10	60	M8x1	7g
3531	VLR10-90	1-735-09-00	\$8.40	10	90	M8x1	11g
3384	VLR14-40	1-735-12-00	\$8.40	14	40	M12x1	6g
3385	VLR14-80	1-735-15-00	\$10.50	14	80	M12x1	14g
3386	VLR14-120	1-735-18-00	\$10.50	14	120	M12x1	23g
3387	VLR20-50	1-735-21-00	\$10.50	20	50	M17x1	15g
3388	VLR20-100	1-735-24-00	\$10.50	20	100	M17x1	29g
3389	VLR20-150	1-735-27-00	\$11.55	20	150	M17x1	44g
3390	VLR30-80	1-735-30-00	\$13.13	30	80	M27x1	51g
3391	VLR30-140	1-735-33-00	\$13.65	30	140	M27x1	88g
3392	VLR30-200	1-735-36-00	\$14.70	30	200	M27x1	128g

Use Quick#s for easy online ordering.