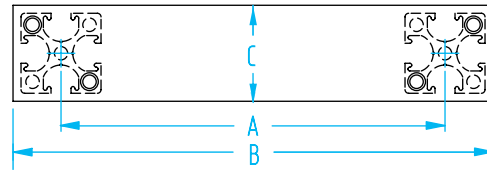
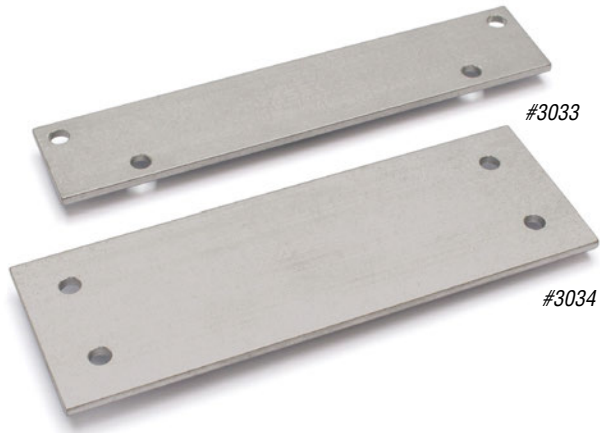
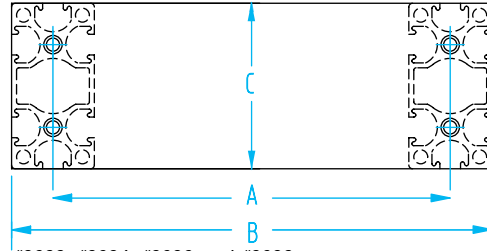


Profile End Plate



#3687, #3033, #3035, and #3037



#3688, #3034, #3036, and #3038.

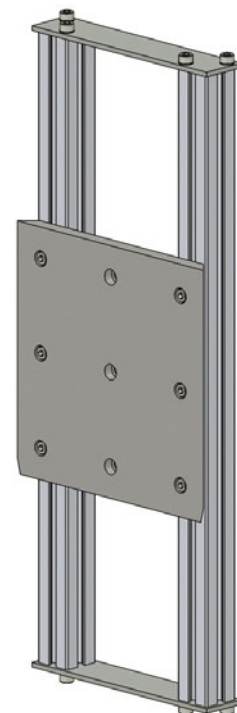
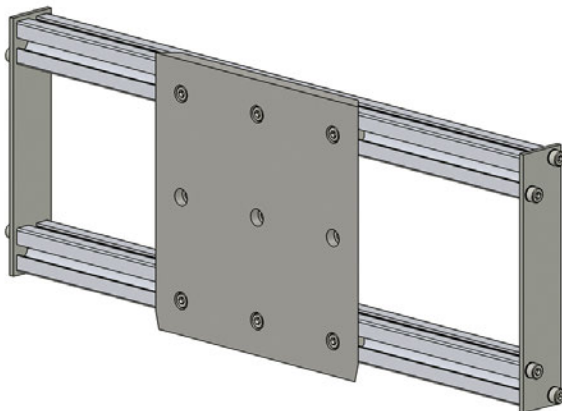
#3033, #3034, #3035, and #3036 are 3mm thick.
 #3037 & #3038 are 5mm thick.

Profile End Plate

Quick#	Part#	>ASS< #	Price	A	B	C	Wt.	Use with:	Fits base plate size
3687	EPL1-25X	1-122-81-00	\$6.30	70	100	30	34g	X 25/25	1X
3688	EPL1-50-25X	1-122-83-00	\$6.30	70	95	50	57g	X 50/25	1X
3033	EPL2-25X	1-122-85-00	\$9.45	120	150	30	34g	X 25/25	2X
3034	EPL2-50X	1-122-87-00	\$9.45	120	145	50	57g	X 50/25	2X
3035	EPL3-25X	1-122-89-00	\$7.35	200	230	30	57g	X 25/25	3X
3036	EPL3-50X	1-122-91-00	\$9.45	200	225	50	88g	X 50/25	3X
3037	EPL3-40J	1-122-94-00	\$9.98	200	245	45	126g	J 40/40	3J
3038	EPL3-80J	1-122-96-00	\$12.60	200	240	80	251g	J 80/40	3J

Use with profile size

Application Examples



Save on Custom Plates !

Custom mounting plates, interfaces, and brackets for building EOAT are available from EMI. Fast and low cost. EMI's in-house laser cutter precision cuts aluminum and stainless up to 0.250" thick.