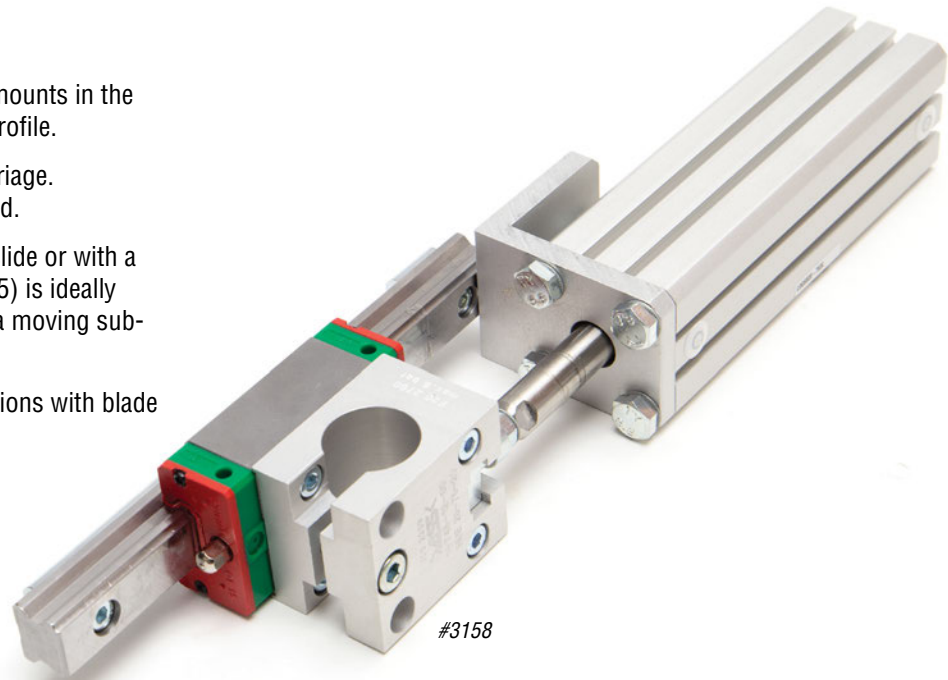


## Heavy-Duty Guided Cylinders – HUE

- Double acting.
- Consists of a linear bearing that mounts in the channel of all >ASS< & Gimatic profile.
- A clamp assembly sits on the carriage. The pneumatic cylinder is included.
- Can be used as a precise nipper slide or with a DKS mounting post (see page 215) is ideally suited for building an EOAT with a moving sub-frame.
- Can be used for degating applications with blade holders found on page 911.
- Sensors available on page 771.

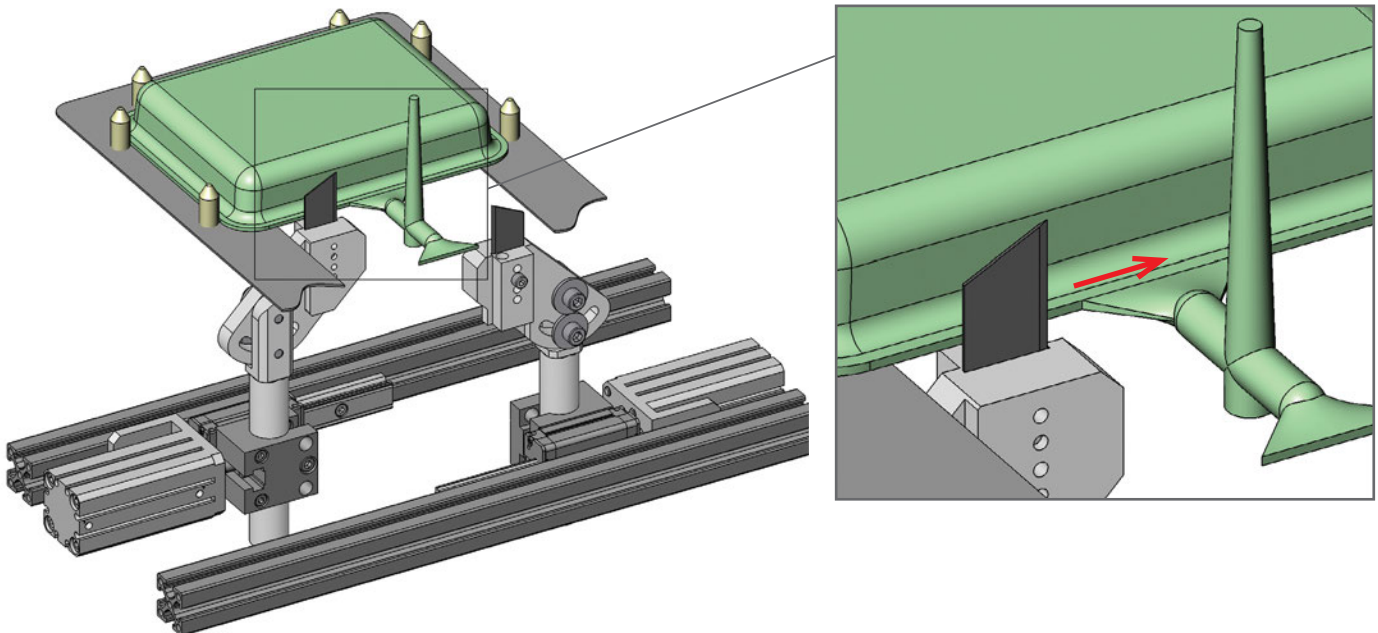


Quick#	Part#	>ASS<#	Price	Stroke	Extension force*	Retraction force*	Piston bore	Wt.
3156	HUE-20-30-20	1-745-10-00	\$293.48	30mm	42 lbf	32 lbf	20mm	588g
3157	HUE-20-50-20	1-745-11-00	\$293.48	50mm				636g
3158	HUE-20-75-20	1-745-12-00	\$313.95	75mm				747g
3159	HUE-20-100-20	1-745-13-00	\$334.43	100mm				717g
3161	HUE-20-125-20	1-745-14-00	\$352.28	125mm				849g

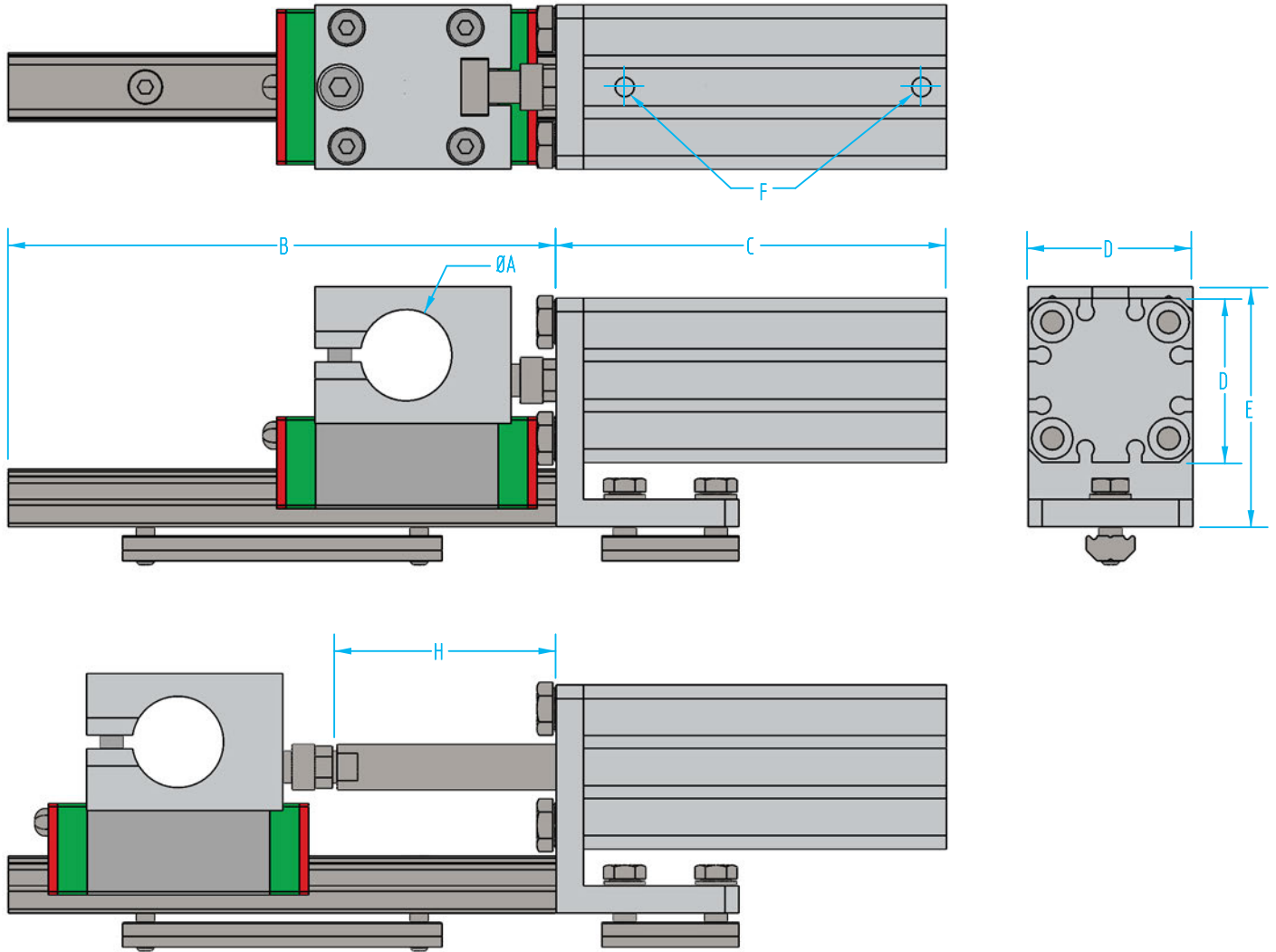
\*Note: Force at 87psi (6 bar)

Use Quick#s for easy online ordering.

### Application Example



**Heavy-Duty Guided Cylinders – HUE**



Quick#	Part#	A	B	C	D	E	F	H
3156	HUE-20-30-20	20	100	65.5	36	52.5	M5	30mm
3157	HUE-20-50-20	20	120	85.5	36	52.5	M5	50mm
3158	HUE-20-75-20	20	145	122	36	52.5	M5	75mm
3159	HUE-20-100-20	20	170	147	36	52.5	M5	100mm
3161	HUE-20-125-20	20	195	172	36	52.5	M5	125mm



**Sensors**

Quick#	Part#	Price	Description
5430	D-M9PL	\$33.70	PNP, Straight with lead, 3m long
2412	D-M9NL	\$33.70	NPN, Straight with lead, 3m long
5497	D-M9P SAPC	\$42.06	PNP, Straight with M8 connector, 0.5m long
5498	D-M9N SAPC	\$42.06	NPN, Straight with M8 connector, 0.5m long