

## Clampable Mini Cylinders – OFC

(Dimensioned drawings shown full scale)

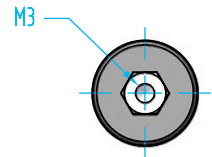
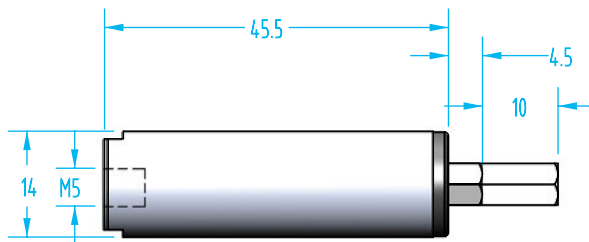
- Lightweight and compact clampable aluminum body in Ø14mm, Ø20mm, and Ø30mm diameters.
- Non-rotating M3 and M4 female threaded rod allows use of common mini-cylinder grip pads (see pages 755 & 769).
- Single-acting with spring retract.
- M3, M4 mounting adaptors available.
- New mounting bracket for DD20-16 grippers.
- New needle attachment for gripping soft materials and fabrics.



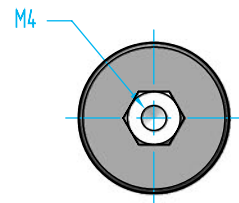
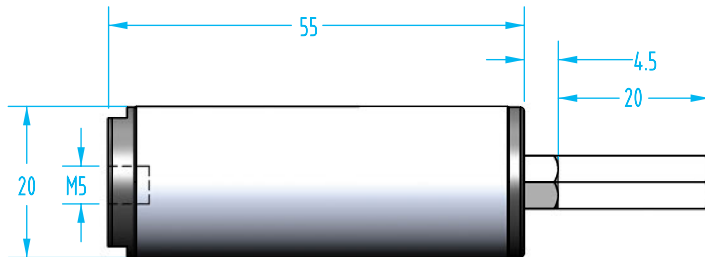
Quick#	Part#	Price	Extension force	Piston bore	Clampable body	Stroke	Wt.
7134	OFC14-10	\$20.62	10 lbf	Ø10mm	Ø14mm	10mm	20g
7133	OFC20-20	\$29.86	25 lbf	Ø16mm	Ø20mm	20mm	40g
7132	OFC30-30	\$36.31	63 lbf	Ø25mm	Ø30mm	30mm	85g

\*Note: Force at 87psi (6 bar)

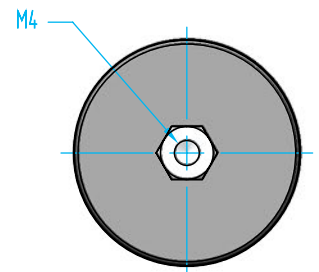
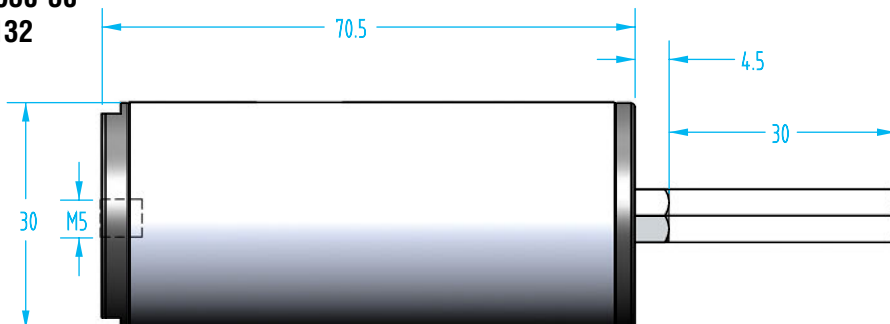
**OFC14-10  
#7134**



**OFC20-20  
#7133**



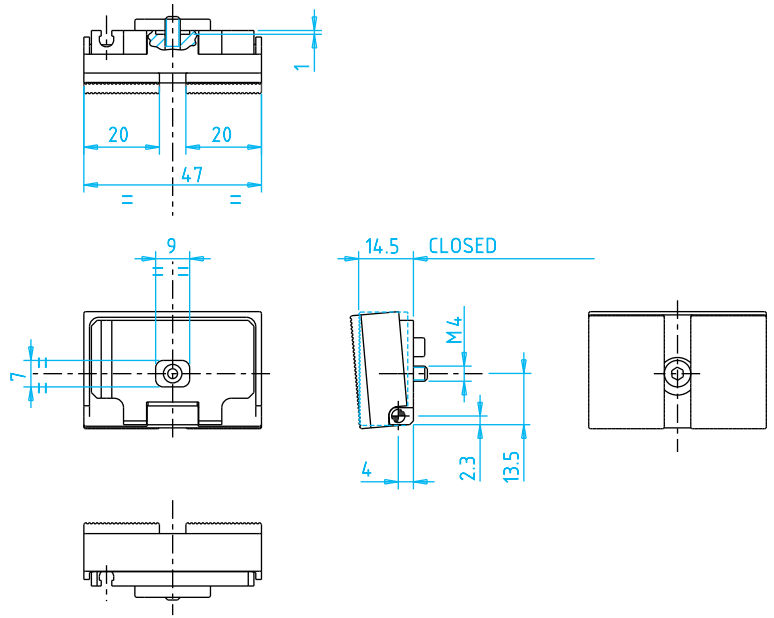
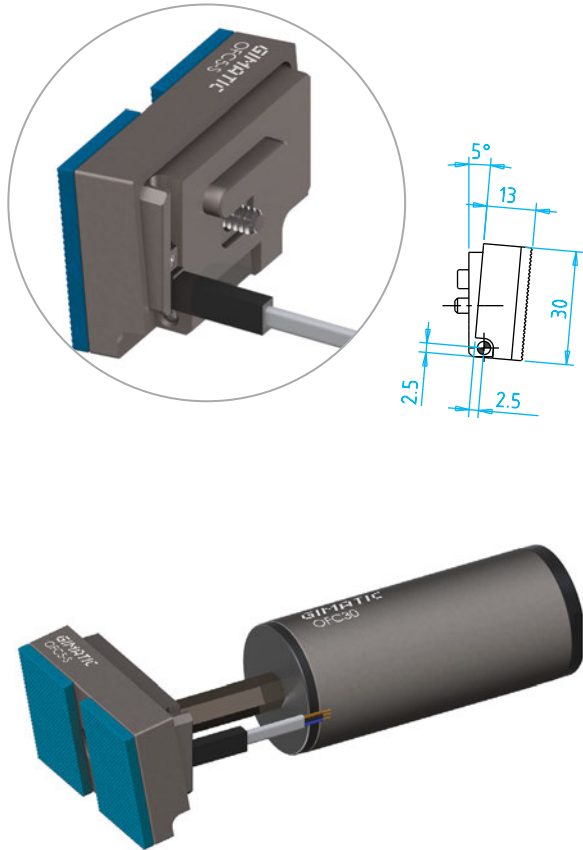
**OFC30-30  
#7132**



# Clampable Mini Cylinders – OFC

(Dimensioned drawings shown 1/2 scale)

## Sensor Switch



### Sensor Switch

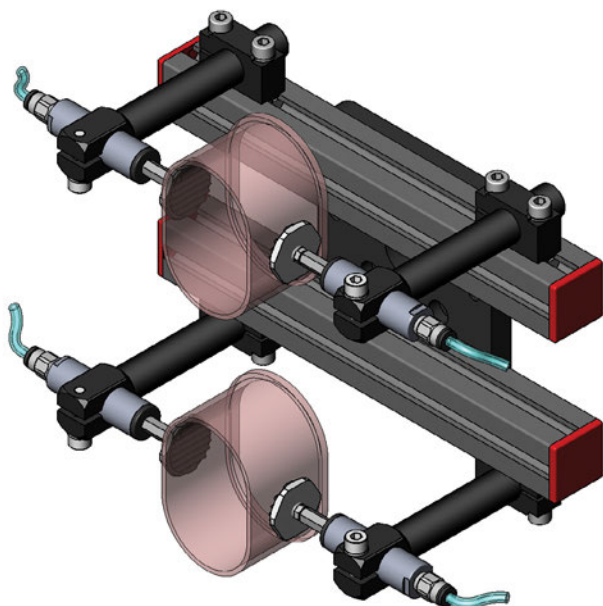
Quick#	Part#	Description	Price
7195	OFC5-S	Switch pad for SN sensor	\$58.24

### Sensors

Quick#	Part#	Signal	Connection	Price
6278	SN4N225G	PNP	with lead, 2.5m long	\$27.20
6357	SN4M225G	NPN	with lead, 2.5m long	\$27.20
6277	SN3N203G	PNP	M8 Connector, 0.3m long	\$31.16
6356	SN3M203G	NPN	M8 Connector, 0.3m long	\$31.16

Use Quick#s for easy online ordering.

## Application Example



### Optional Sensor Mounting Band

Quick#	Part#	Diameter	Price
7307	SWP-014	Ø14	\$2.22
7308	SWP-020	Ø20	\$2.22
7309	SWP-030	Ø30	\$2.22

SN or SS series sensors on page 1002.

### Mounting Adaptor

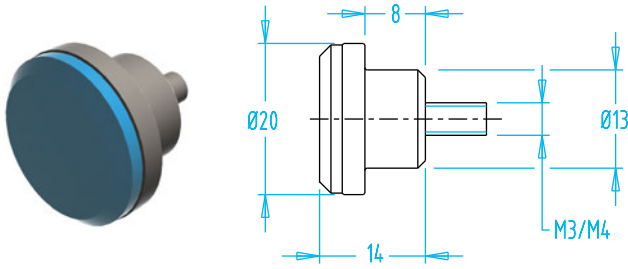
Quick#	Part#	Price	Top Thread	Side & Bottom Ports	Wt.
7390	MFI-A365	\$6.14	M3	M5	1.6g
7389	MFI-A364	\$6.14	M4	M5	1.8g

Full dimensional drawing on page 1067.

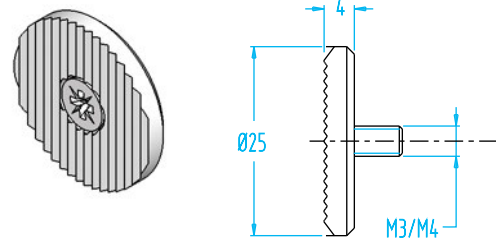


## Clampable Mini Cylinder Accessories

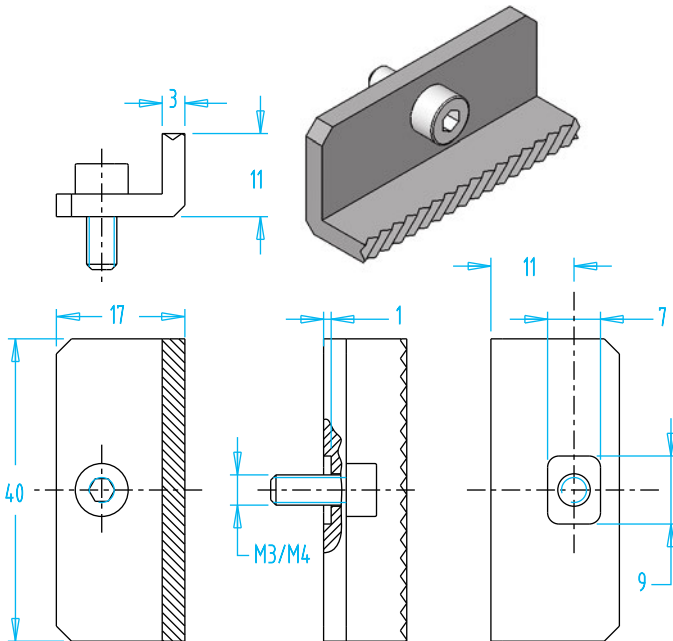
(Dimensioned drawings shown full scale)



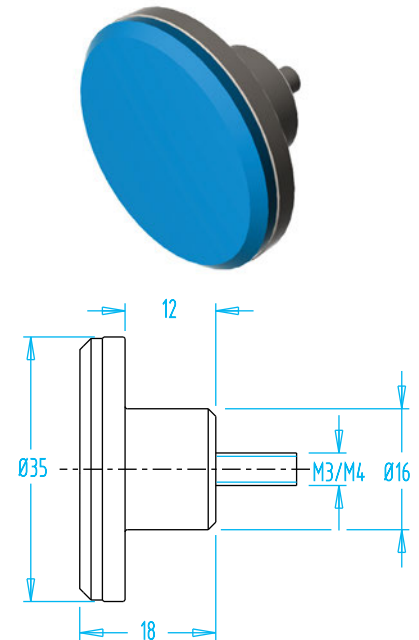
Quick#	Part#	Price	Face	Use with:	Wt.
7211	OFC-A001	\$7.96	HNBR	OFC- 14, 20, 30	15g



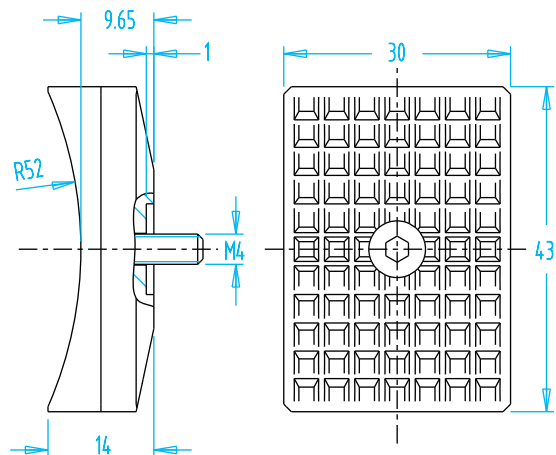
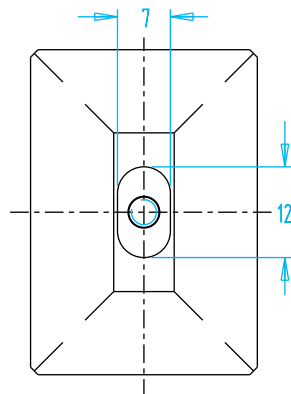
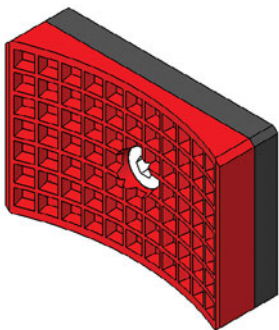
Quick#	Part#	Price	Face	Use with:	Wt.
7213	OFC-A003	\$7.80	Steel	OFC- 14, 20, 30	15g



Quick#	Part#	Price	Face	Use with:	Wt.
7212	OFC-A002	\$17.94	Steel	OFC- 14, 20, 30	23g



Quick#	Part#	Price	Face	Use with:	Wt.
7215	OFC-A005	\$9.26	HNBR	OFC- 14, 20, 30	35g

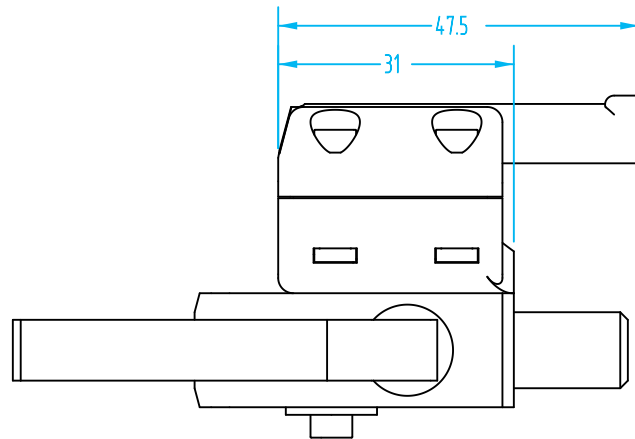
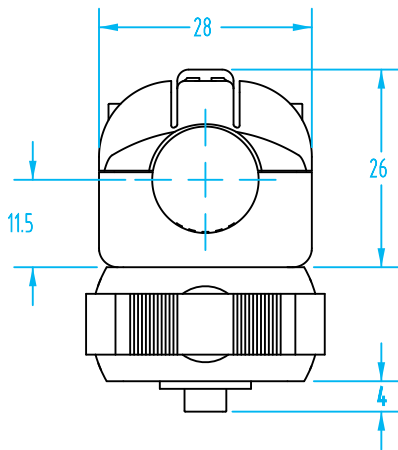


Quick#	Part#	Price	Face	Use with:	Wt.
7214	OFC-A004	\$17.94	TPU	OFC- 20, 30	24g

## Clampable Mini Cylinder Accessories

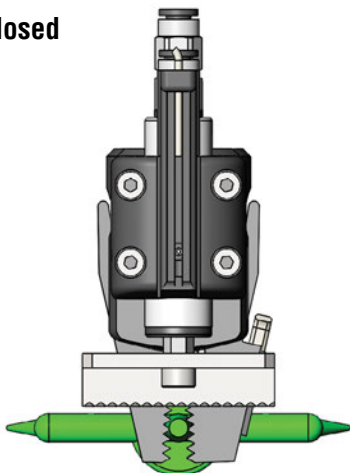
- This bracket allows a OFC-14-10 Cylinder to be mounted to Gimatic PB grippers, see page 430.
- Bracket can be equipped with optional accessories intended to eject a runner stuck to the jaw of the gripper.
- The position of an OFC-14 cylinder can be detected using SS... sensors.
- Not compatible with accessories #7214 & #7215.

Quick#	Part#	Price	Use with:	Wt.
7446	OFC-A006	\$36.18	OFC-14	19g

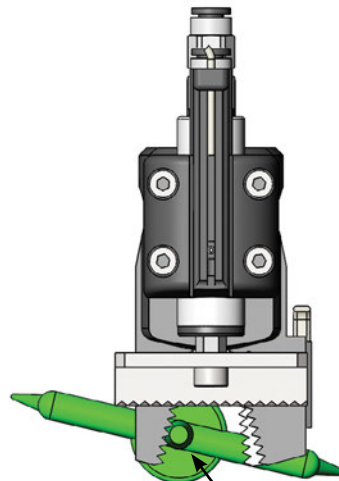


### Application Example

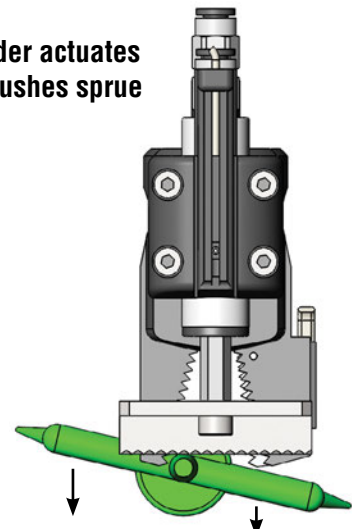
**Closed**



**Sprue stuck to jaw**



**Cylinder actuates and pushes sprue**



## Clampable Mini Cylinder Accessories



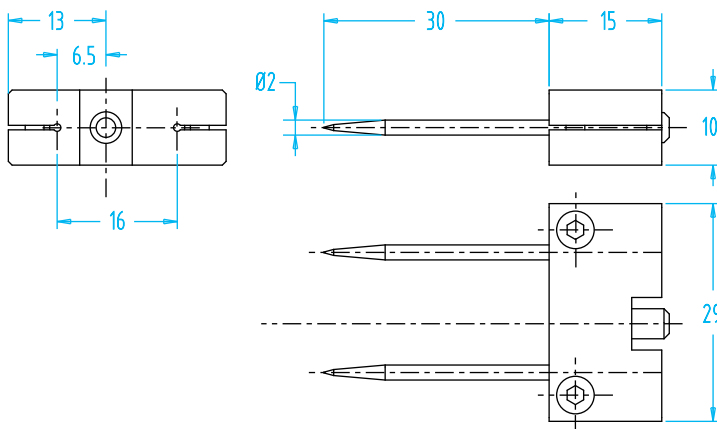
(Dimensioned drawings shown full scale)



Safety cover included, and can be stored on profile.

**NEW**

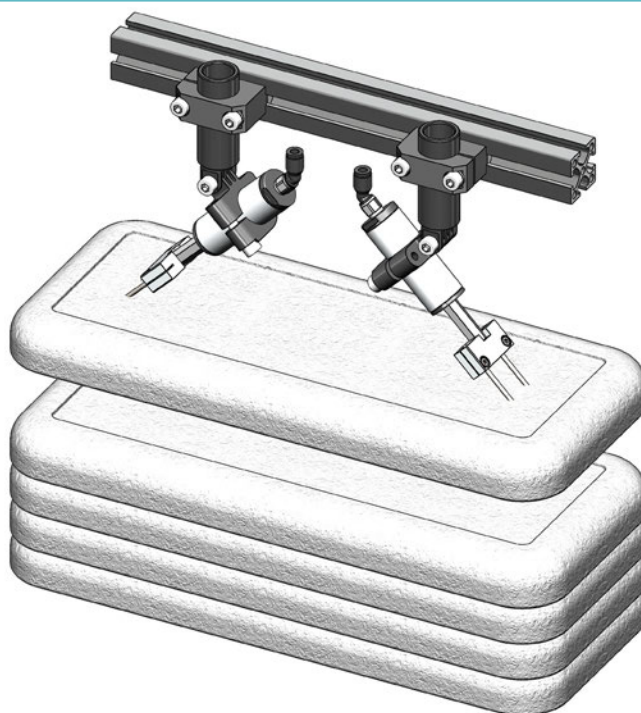
Quick#	Part#	Price	Use with:	Wt.
7579	OFC-A007	\$41.38	OFC-20, OFC-30	11g



Fittings Available  
on page 1043



### Application Example



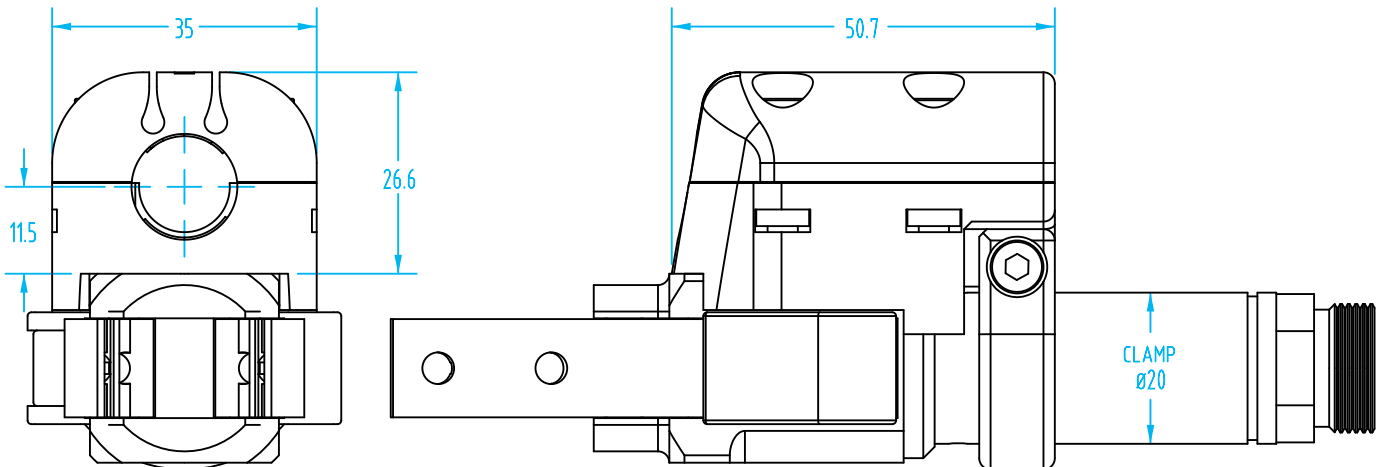
## Clampable Mini Cylinder Accessories

- This bracket allows a OFC-14-10 Cylinder to be mounted to a Gimatic DD20 gripper, see page 444.
- Bracket can be equipped with optional accessories intended to eject a runner stuck to the jaw of the gripper.
- The position of an OFC-14 cylinder can be detected using SS... sensors.
- Not compatible with accessories #7214 & #7215.



**NEW**

Quick#	Part#	Price	Use with:	Wt.
7623	OFC-A008	\$71.66	OFC-14	48g



### Application Example

