

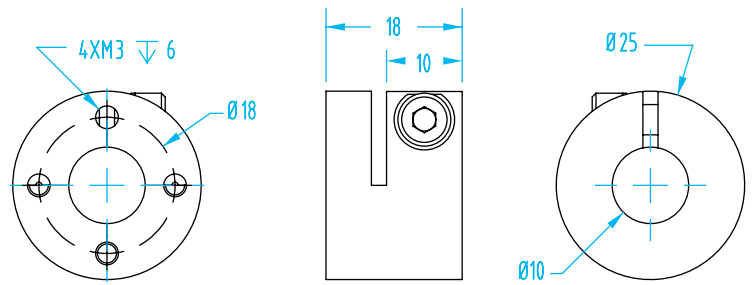
Clamps for Plate EOAT

(Dimensioned drawing shown full scale)

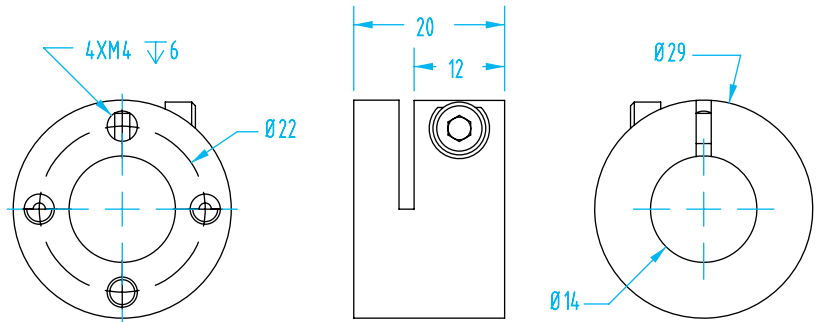


#5878

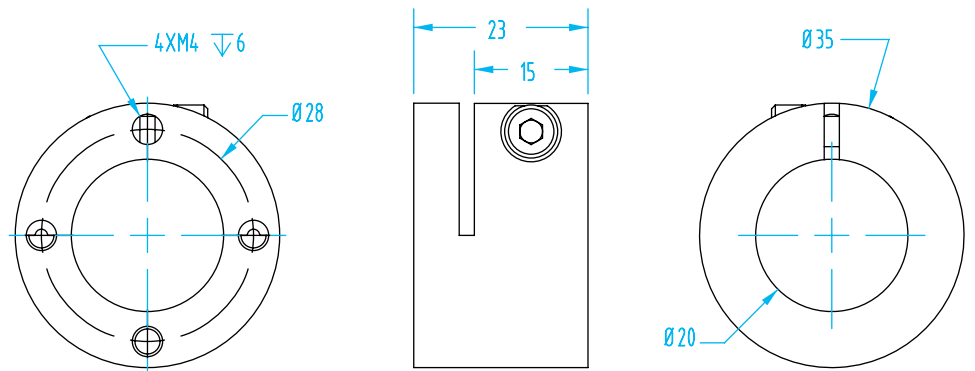
Ø10mm #5878



Ø14mm #5879



Ø20mm #5880



Ø30mm #5881

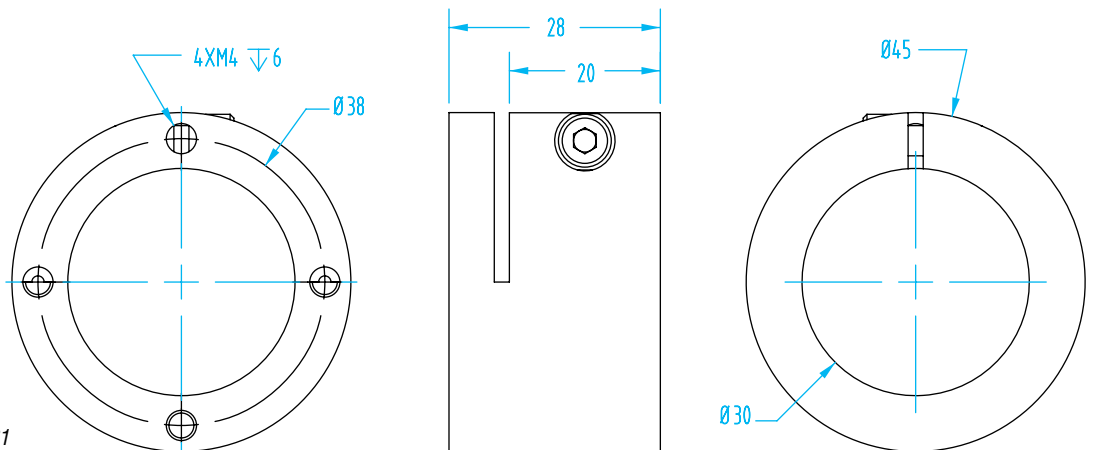
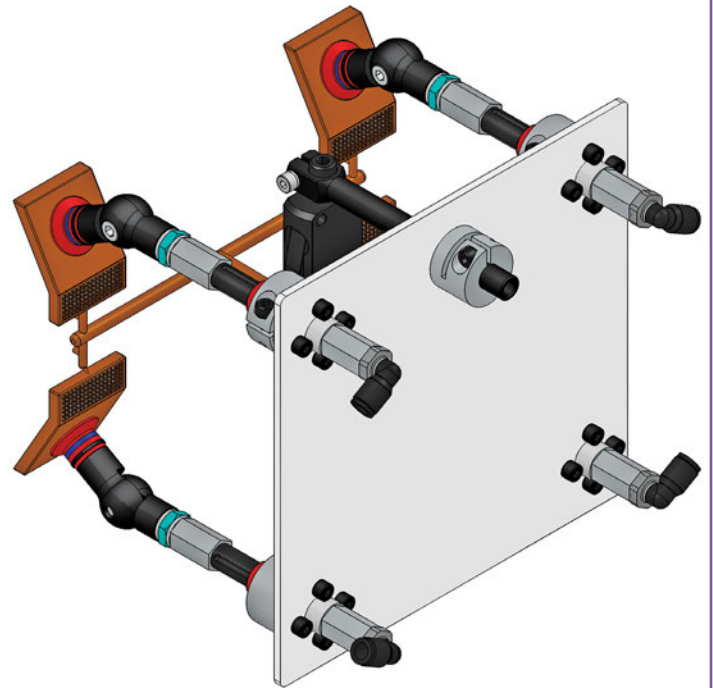
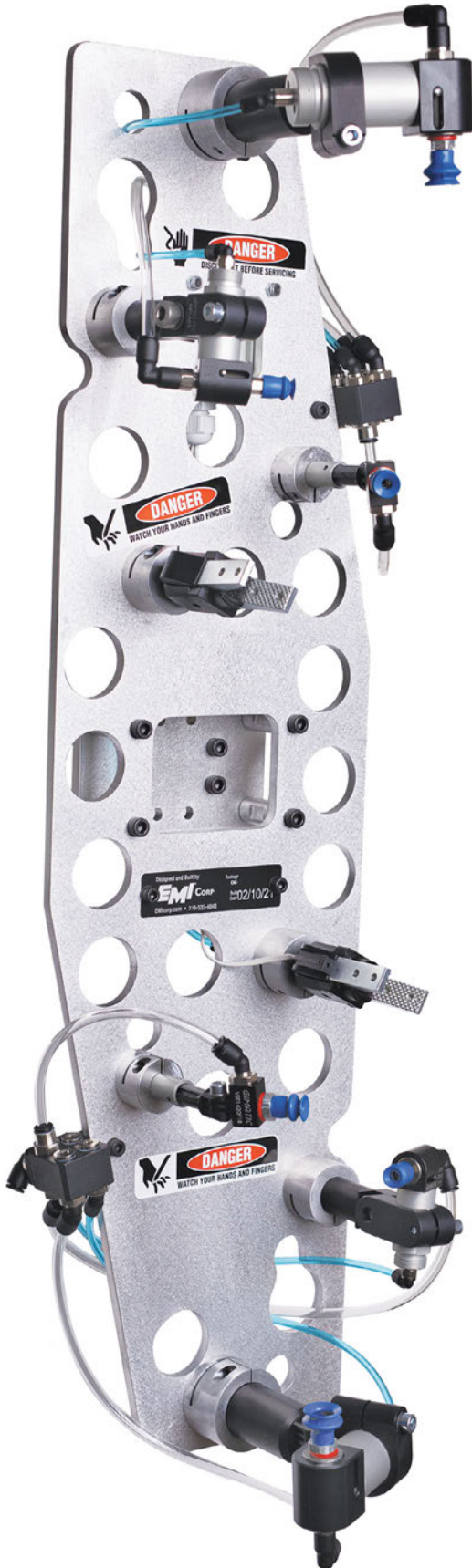


Plate Clamp Bracket

Quick#	Part#	Description	Price	Wt.
5878	PCB-10	Aluminum Plate Clamp Bracket 10mm	\$22.50	19g
5879	PCB-14	Aluminum Plate Clamp Bracket 14mm	\$24.00	26g
5880	PCB-20	Aluminum Plate Clamp Bracket 20mm	\$25.50	37g
5881	PCB-30	Aluminum Plate Clamp Bracket 30mm	\$29.00	63g

When ordering, use Quick#s to ensure order accuracy.

Clamps for Plate EOAT**Application Example**

Clamps can be used on both front and back of plate.

