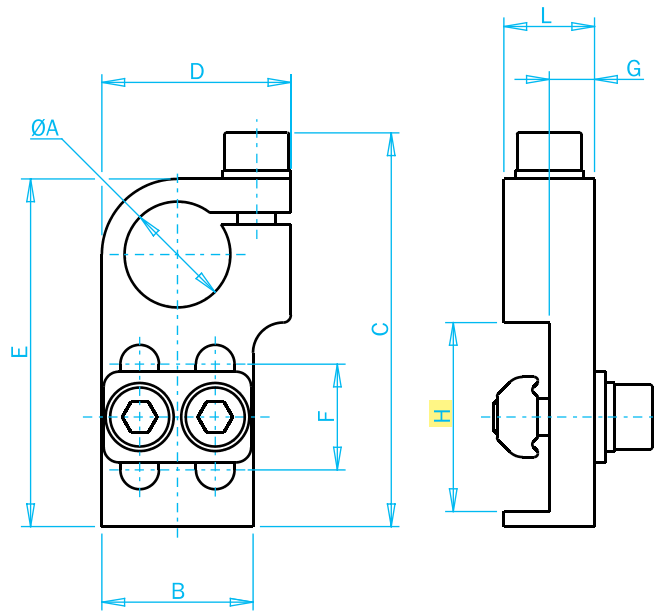


# Angle Clamp



#5699

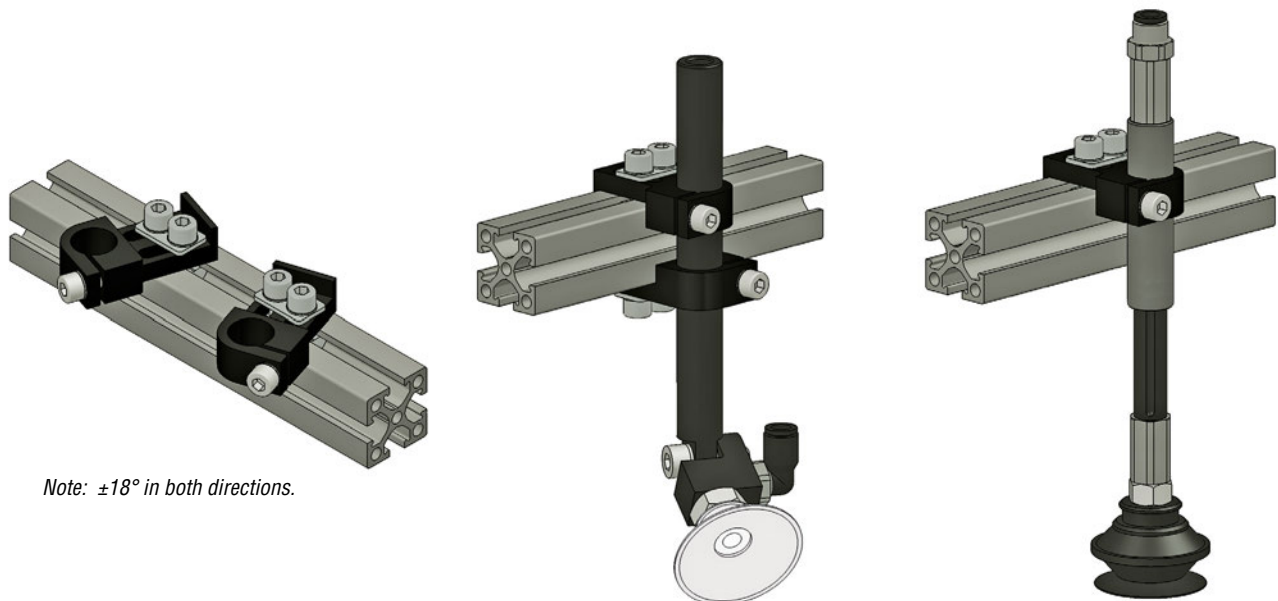


### Angle Clamp

Quick#	Part#	Price	ØA	B	C	D	E	F	G	H	L	Wt.
5697	MFI-A01	\$14.00	10	16	43	20	38	10	4.5	18	8	20g
7220	MFI-A270	\$14.11	10	16	49	20	44	14	4.5	25	8	21g
5698	MFI-A02	\$14.72	14	20	52	25	46	14	6	25	12	34g
5873	MFI-A204	\$14.82	20	25	58	30	52	14	6	25	12	41g
5699	MFI-A03	\$15.10	20	25	74	30	68	22	6	40	12	48g

\*Note: #5697 must be used upside down with 25mm profile

### Application Examples



Note: ±18° in both directions.