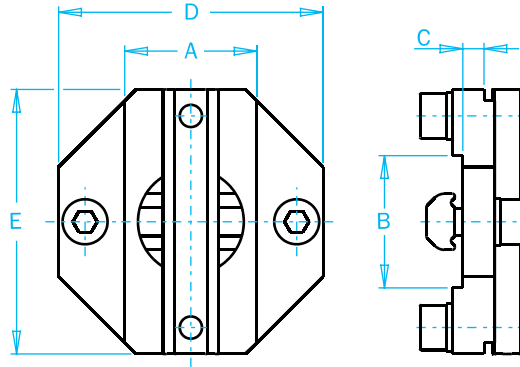


**Cross Joint Connector**



#5658

**Cross Joint Connector for Profile**

Quick#	Part#	Price	A	B	C	D	E	Wt.
5851	MFI-A175	\$19.03	18	18	2	38	38	40g
6746	MFI-A265	\$23.59	18	25	4	38	45	60g
5658	MFI-A11	\$20.25	25	25	4	45	45	75g
5659	MFI-A12	\$25.75	50	50	4	70	70	170g
5660	MFI-A13	\$22.83	25	50	4	45	70	114g
5661	MFI-A29	\$24.18	40	40	4	60	60	85g
7611	MFI-A29-H*	\$29.07	40	40	4	60	60	85g
5662	MFI-A30	\$30.48	80	80	4	100	100	255g
5663	MFI-A31	\$25.25	40	80	4	60	100	175g
5664	MFI-A32	\$25.22	25	80	4	45	100	140g
5665	MFI-A33	\$22.19	25	40	4	45	60	75g

\*Heavy-duty version uses M6 hardware.

**Application Examples**

