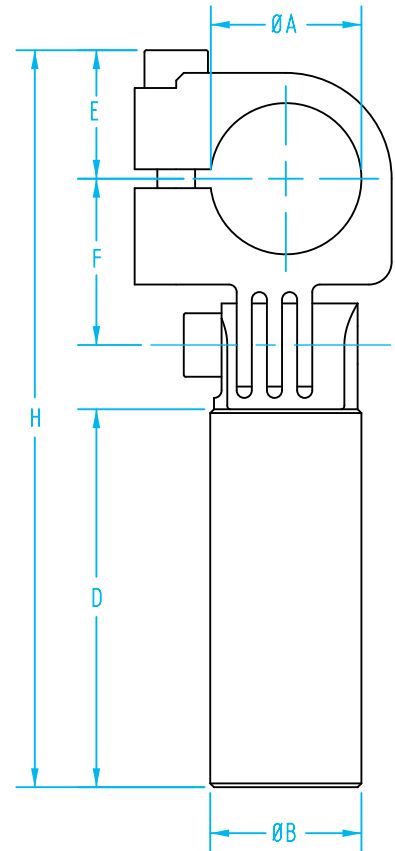
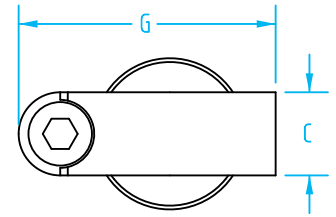


# Elbow Arm



*New, improved hinge design!*

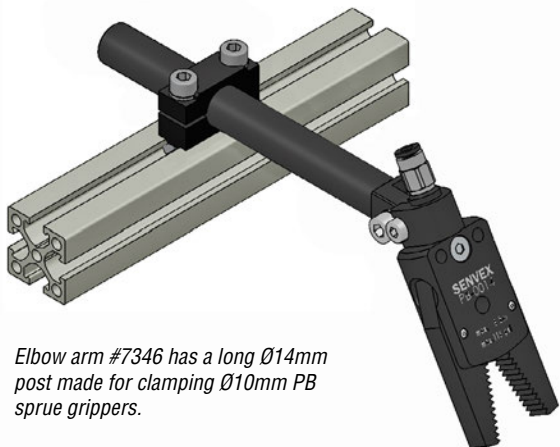


**Elbow Arm**

Quick#	Part#	Price	ØA	ØB	C	D	E	F	G	H	Wt.
5721	MFI-A59	\$19.00	10	10	11	60	11.6	18.5	21.4	98.6	20g
7346	MFI-A332	\$29.89	10	14	12	120	8	18.5	22.3	155.8	48g
5722	MFI-A60	\$26.88	14	14	11	40	14.1	19	27	83.1	32g
5723	MFI-A61	\$28.97	14	14	11	80	14.1	19	27	123.1	42g
5724	MFI-A62	\$30.40	14	14	11	120	14.1	19	27	163.1	50g
5725	MFI-A63	\$31.67	20	20	11	50	17.6	22	34	98.1	70g
5726	MFI-A64	\$33.00	20	20	11	100	17.6	22	34	148.1	90g
5727	MFI-A65	\$37.28	20	20	11	150	17.6	22	34	198.1	120g
5728	MFI-A167	\$43.06	30	30	16	80	24.6	29.5	48	145.6	235g
5729	MFI-A168	\$44.15	30	30	16	140	24.6	29.5	48	204.6	300g
5730	MFI-A169	\$44.93	30	30	16	200	24.6	29.5	48	264.6	360g

Use Quick#s for easy online ordering.

## Application Examples



Elbow arm #7346 has a long Ø14mm post made for clamping Ø10mm PB sprue grippers.

