

Flat Connectors



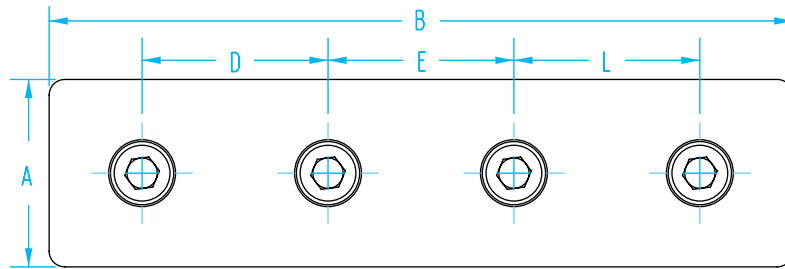
#5855



#5856



#7671



Straight Connector - Black Anodized Aluminum

Quick#	Part#	Price	A	B	D	E	L	Wt.
5855	MFM-A504	\$7.80	25	50	-	25	-	33g
5856	MFM-A505	\$11.23	25	100	25	25	25	67g
5857	MFM-A506	\$13.85	40	160	40	40	40	128g

Use with profile size ↑

4.8mm thick

Straight Connector - Steel

Quick#	Part#	Price	A	B	D	E	L	Wt.
7669	MFI-A226	\$6.54	25	50	-	25	-	45g
7670	MFI-A227	\$9.54	25	100	25	25	25	95g
7671	MFI-A228	\$12.35	40	160	40	40	40	195g

NEW

Use with profile size ↑

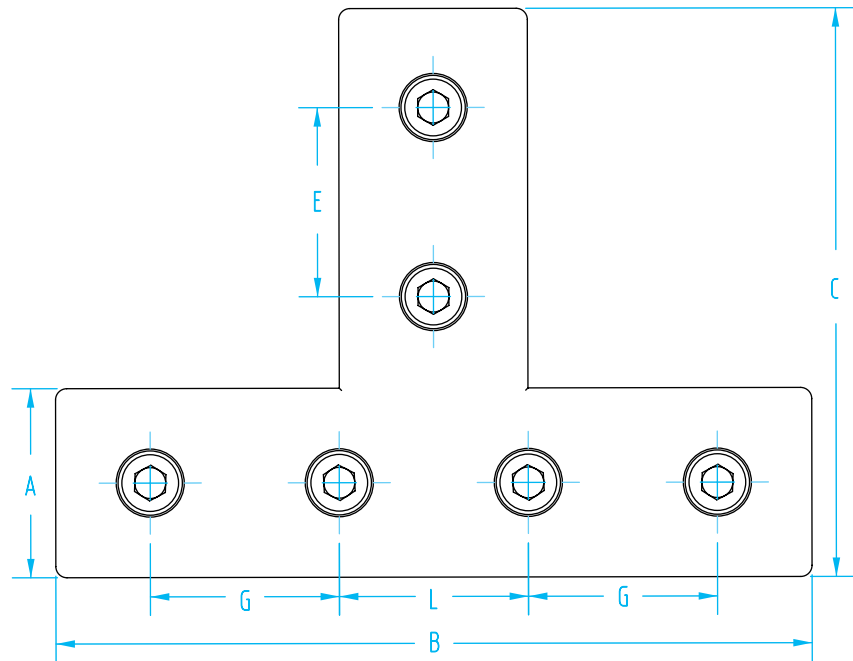
3mm thick



#5861



#7673



T Connector - Black Anodized Aluminum

Quick#	Part#	Price	A	B	C	E	G	L	Wt.
5861	MFM-A510	\$12.40	25	50	75	25	-	25	67g
5862	MFM-A511	\$16.90	25	100	75	25	25	25	101g
5863	MFM-A512	\$19.35	40	120	120	40	-	90	163g

Use with profile size ↑

4.8mm thick

T Connector - Steel

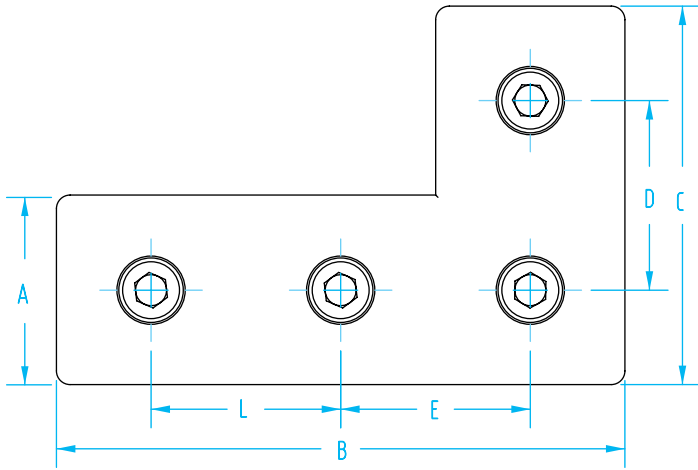
Quick#	Part#	Price	A	B	C	E	G	L	Wt.
7672	MFI-A229	\$10.56	25	50	75	25	-	25	95g
7673	MFI-A230	\$15.50	25	100	75	25	25	25	145g
7674	MFI-A231	\$16.52	40	120	110	40	-	90	250g

NEW

Use with profile size ↑

3mm thick

Flat Connectors



L Connector - Black Anodized Aluminum

Quick#	Part#	Price	A	B	C	D	E	L	Wt.
5858	MFM-A507	\$10.69	25	50	50	25	25	-	49g
5859	MFM-A508	\$12.40	25	75	50	25	25	25	67g
5860	MFM-A509	\$15.56	40	120	80	40	40	40	128g

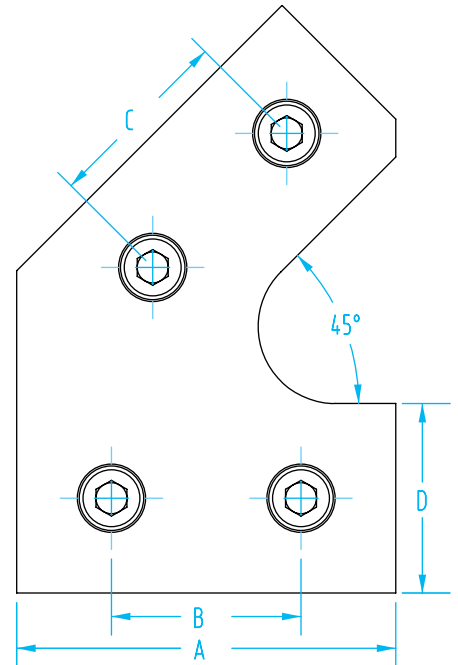
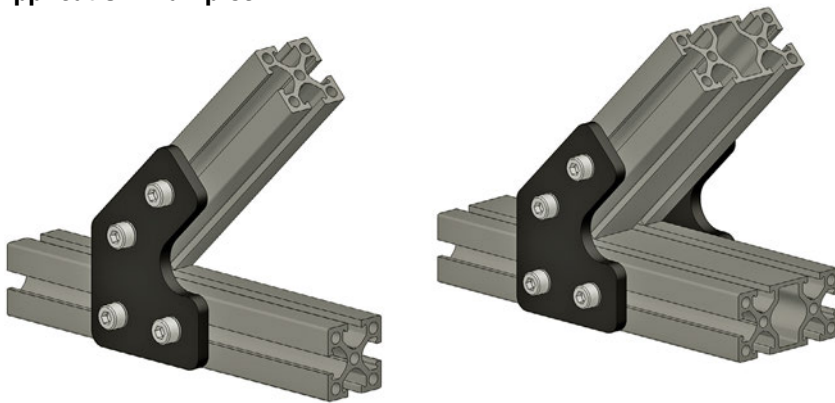
Use with profile size 4.8mm thick

L Connector - Steel

Quick#	Part#	Price	A	B	C	D	E	L	Wt.
7675	MFI-A232	\$8.94	25	50	50	25	25	-	70g
7676	MFI-A233	\$10.56	25	75	50	25	25	25	95g
7677	MFI-A234	\$12.46	40	120	80	40	40	40	200g

NEW Use with profile size 3mm thick

Application Examples



45° Profile Connector - Black Anodized Aluminum

Quick#	Part#	Price	A	B	C	D	Wt.
5864	MFM-A513	\$13.84	50	25	25	25	70g
6083	MFM-A515	\$19.85	130	40	40	40	210g

Use with profile size 4.8mm thick

45° Profile Connector - Steel

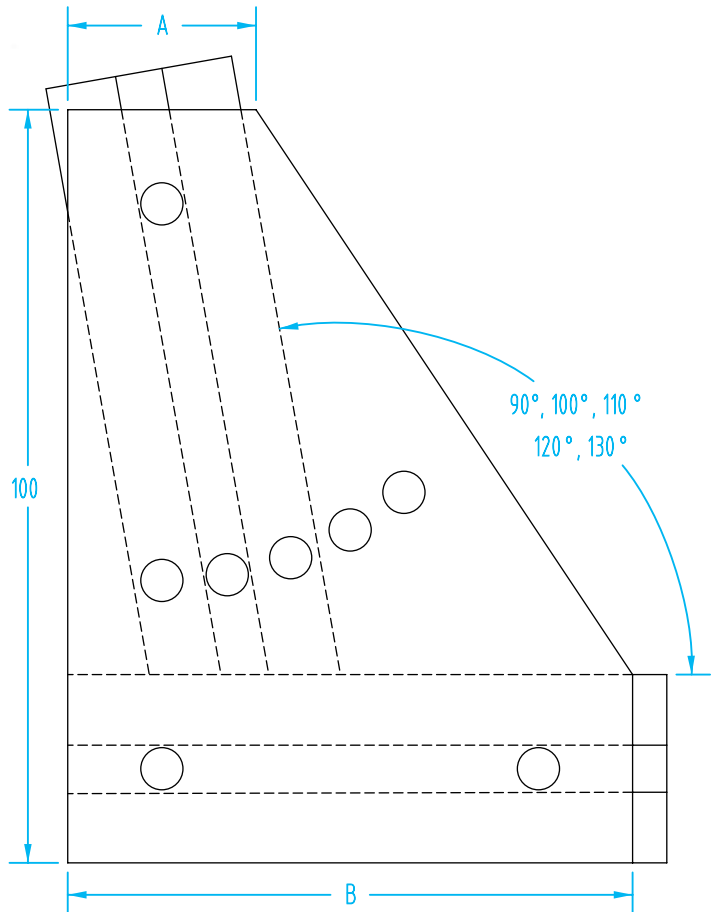
Quick#	Part#	Price	A	B	C	D	Wt.
7664	MFI-A221	\$11.95	50	25	25	25	100g

NEW Use with profile size 3mm thick

Corner Joint Plate



#5852



Corner Joint Plate - Black Anodized Aluminum

Quick#	Part#	Price	A	B	Wt.
5852	MFM-A501	\$15.12	25	75	125g
5853	MFM-A502	\$17.13	50	110	222g
5854	MFM-A503	\$18.68	40	80	137g

Use with profile size 4.8mm thick

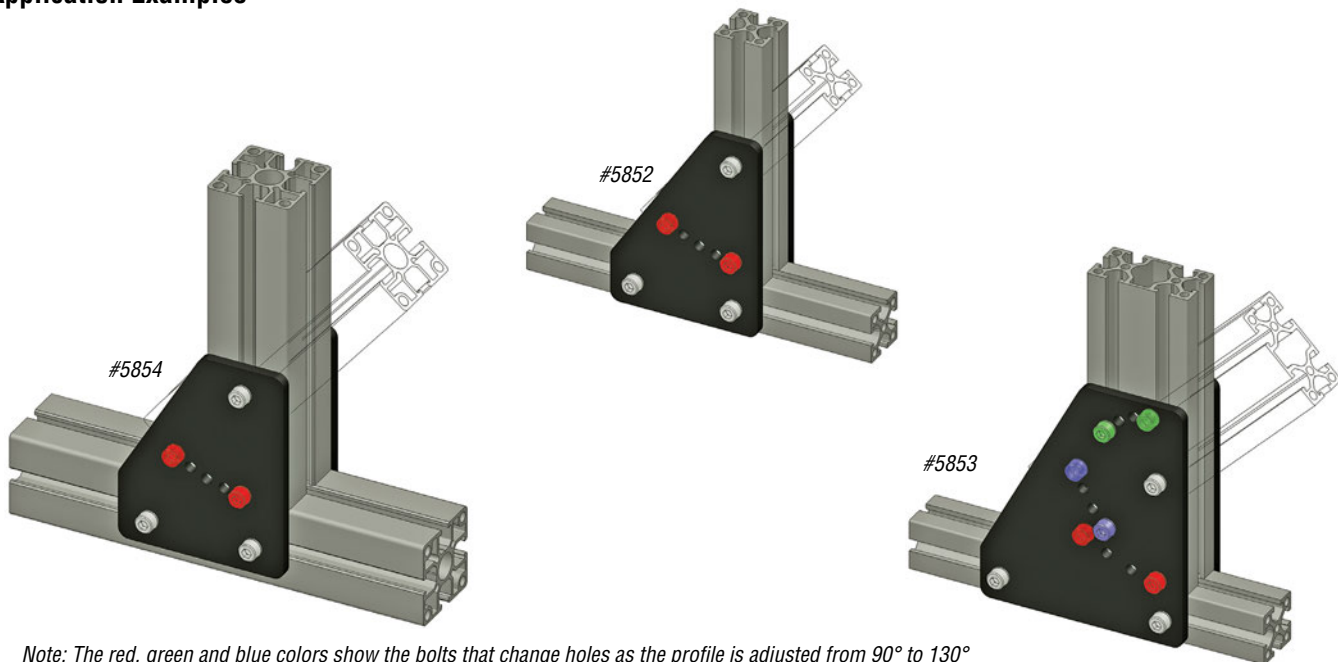
Corner Joint Plate - Steel

Quick#	Part#	Price	A	B	Wt.
7665	MFI-A222	\$13.26	25	60	130g
7666	MFI-A223	\$15.16	50	90	215g
7667	MFI-A224	\$15.40	40	70	175g

Use with profile size 3mm thick

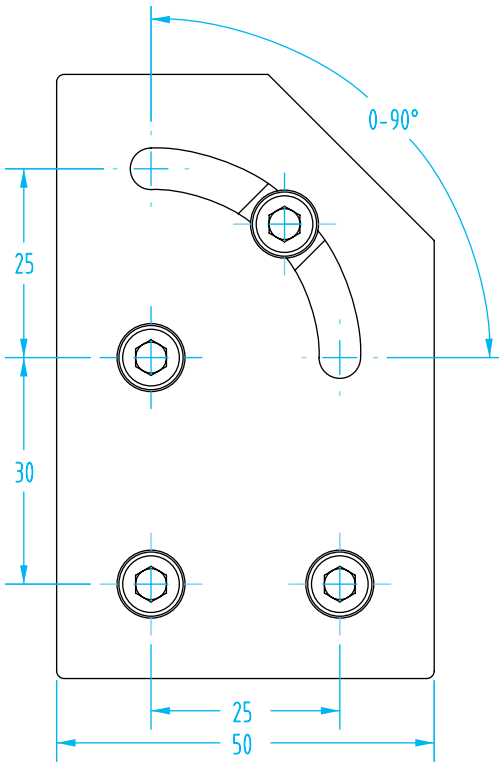
NEW

Application Examples



Note: The red, green and blue colors show the bolts that change holes as the profile is adjusted from 90° to 130°

Adjustable Profile Connector



Adjustable Connector - Black Anodized Aluminum

Quick#	Part#	Price	Wt.
5865	MFM-A514	\$15.10	79g

4.8mm thick

Adjustable Connector - Steel

Quick#	Part#	Price	Wt.
7668	MFI-A225	\$11.95	115g

3mm thick

NEW

Application Examples

