

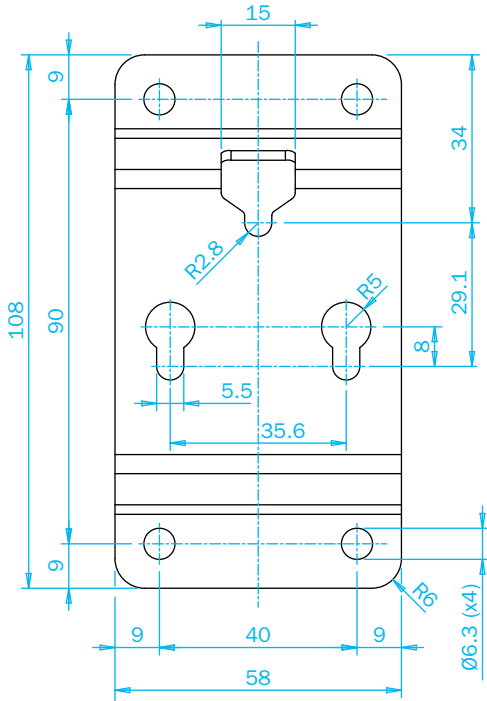
# Storage Hangers for Small Size (50mm) Quick Changers

(Dimensioned drawings reduced to fit)

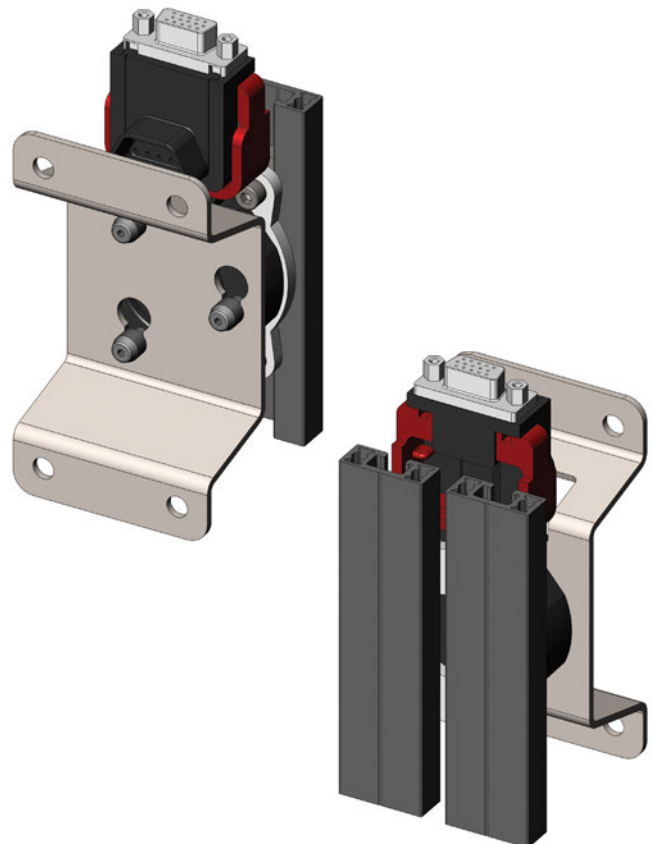
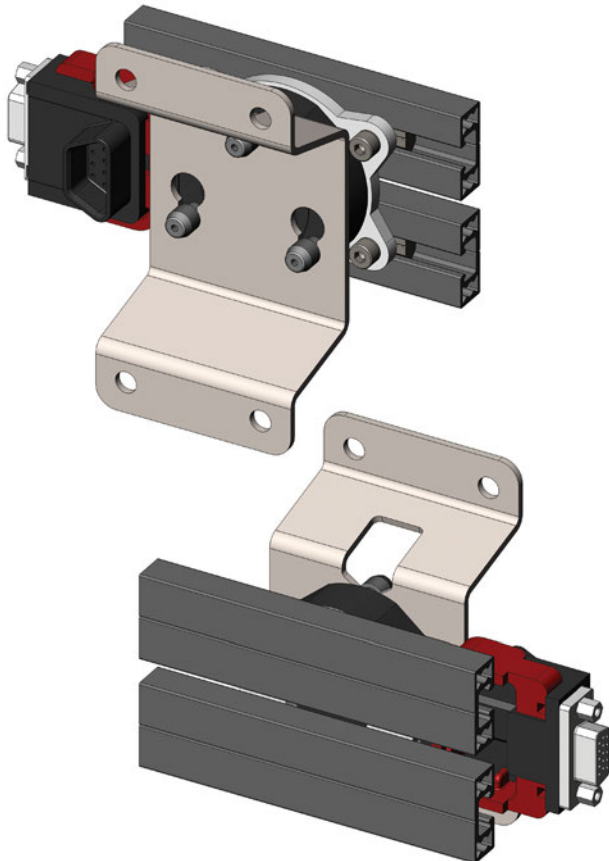
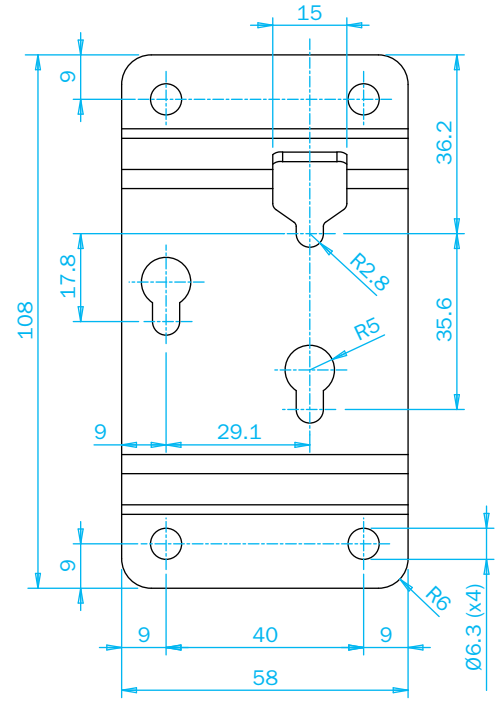
Small Size (50mm) EOAT Storage Hangers

Quick#	Part#	Price	Type	Wt.
6069	QC50-H	\$20.75	Horizontal	190g
5996	QC50-V	\$20.75	Vertical	190g

#6069



#5996



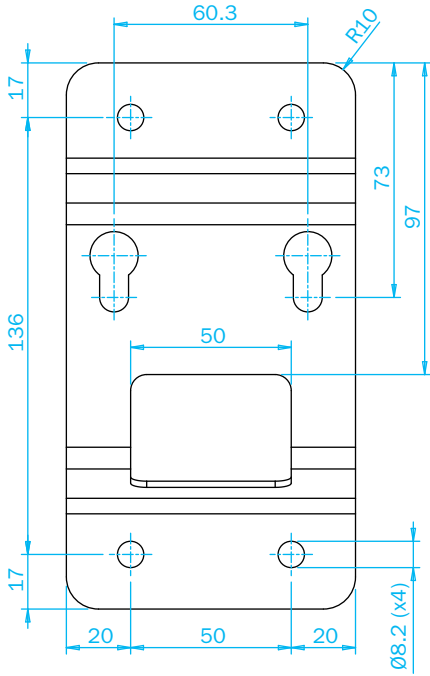
# Storage Hangers for Standard Size (90mm) Quick Changers

(Dimensioned drawings reduced to fit)

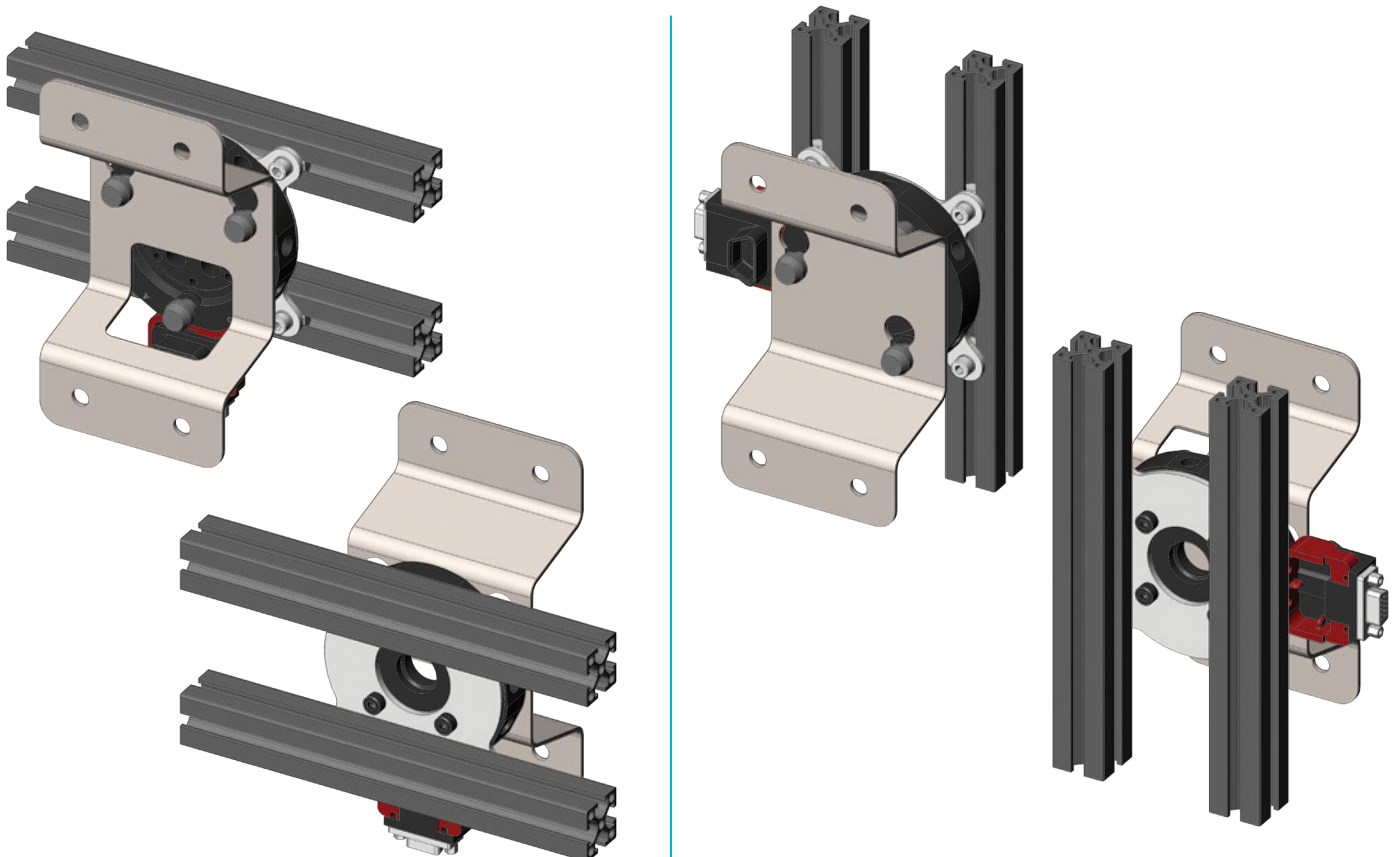
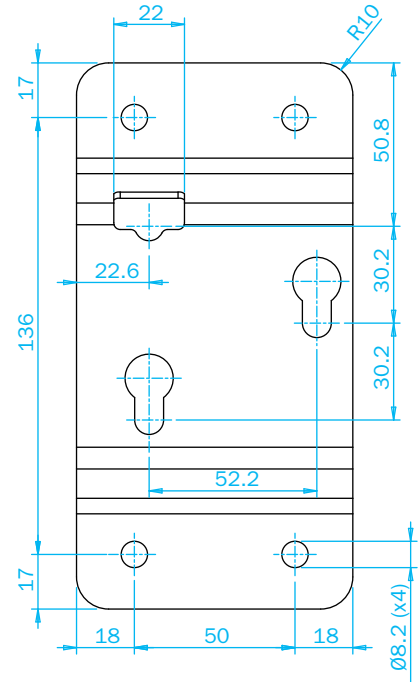
Standard Size (90mm) EOAT Storage Hangers

Quick#	Part#	Price	Type	Wt.
6545	QC90-H	\$32.86	Horizontal	435g
5997	QC90-V	\$32.86	Vertical	435g

**#6545**



**#5997**



# Storage Hangers for Large & Jumbo (150/160 & 200mm) Quick Changers

(Dimensioned drawings reduced to fit)

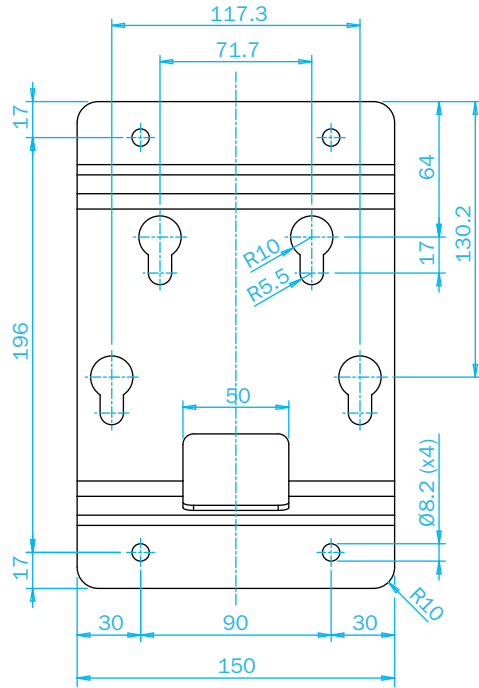
Large Size (150mm / 160mm) EOAT Storage Hangers

Quick#	Part#	Price	Type	Wt.
6546	QC150-H	\$38.27	Horizontal	950g
5998	QC150-V	\$38.27	Vertical	950g

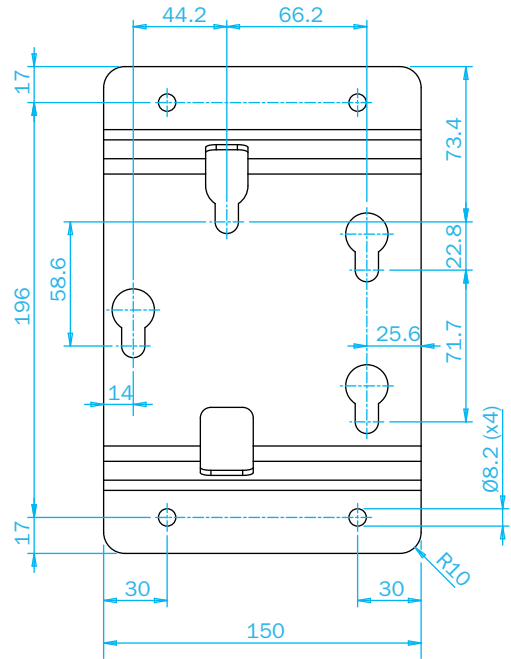
Jumbo Size (200mm) EOAT Storage Hangers

Quick#	Part#	Price	Type	Wt.
6076	QC200-H	\$49.24	Horizontal	1900g
5999	QC200-V	\$49.24	Vertical	1900g

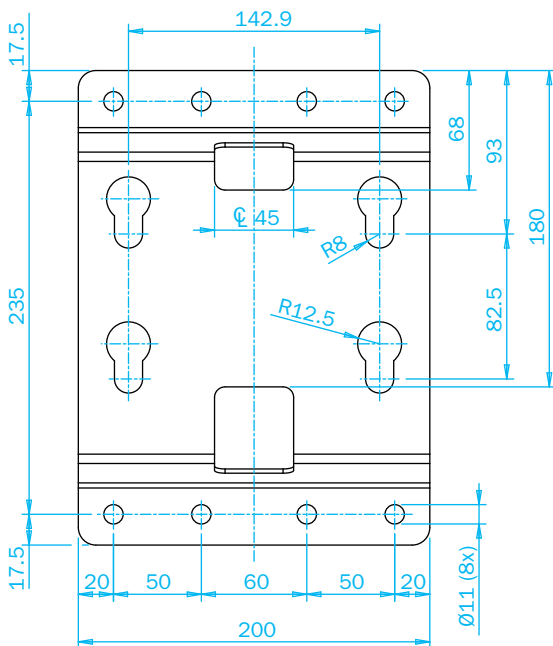
#6546



#5998



#6076



#5999

