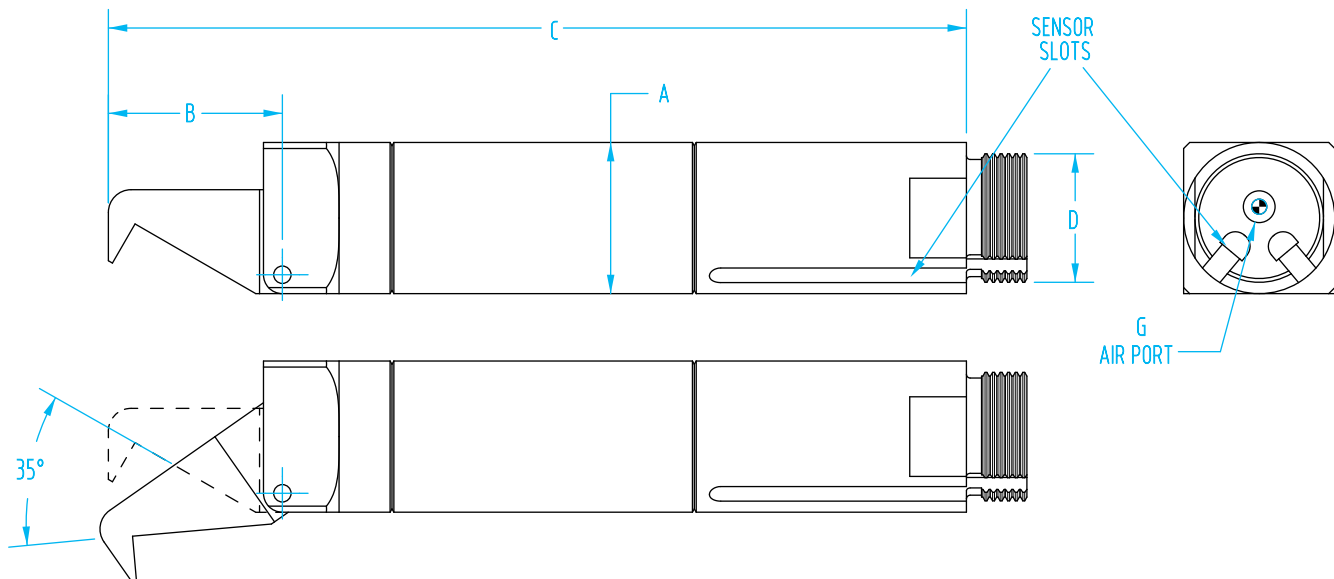


35° Gripper Finger (Sensor type)

- Longer bodies provide extended reach.
- Sensors are slightly recessed, so mounting clamps can be placed along the full length of the body.
- Provides operation with or without sensors.
- Gripper fingers work with guides and extensions, see page 526.
- Sensor Slot version features two sensor slots to provide confirmation of the finger position.

The sensor slots extend the overall length of the gripper finger body. This is an advantage because gripper fingers almost always require the use of extensions (page 529) for achieving sufficient reach. Strong grip strength ensures that the molded part remains firmly gripped during removal and transport. Contact our application engineering department for assistance in sizing the correct gripper finger for your application.



OFA - 35° Gripper Finger (Sensor Slot Version)

Quick#	Part#	Price	ØA	B	C	D	G	Stroke	Closing force*	Wt.
1915	OFA-20-35S	\$203.00	20	23	113.5	M17x1	M5	35°	23 lbf	86g
1917	OFA-30-35S	\$211.00	30	34	167	M27x1	M5	35°	97 lbf	272g
6597	OFA50-35S	\$309.00	50	56	256	M45x1.5	G 1/8	35°	428 lbf	1060g
Order sensors separately									<i>*Note: Force at 87psi (6 bar)</i>	
1882	SS4N225G	\$27.20	PNP sensor		3-wire with lead, 2.5m long					6-24v dc
6282	SS3N203G	\$31.16	PNP sensor		3-wire with M8 male connector, 0.3m long					6-24v dc
1883	SS4M225G	\$27.20	NPN sensor		3-wire with lead, 2.5m long					6-24v dc
1884	SS3M203G	\$31.16	NPN sensor		3-wire with M8 male connector, 0.3m long					6-24v dc

Use Quick#s for easy online ordering.

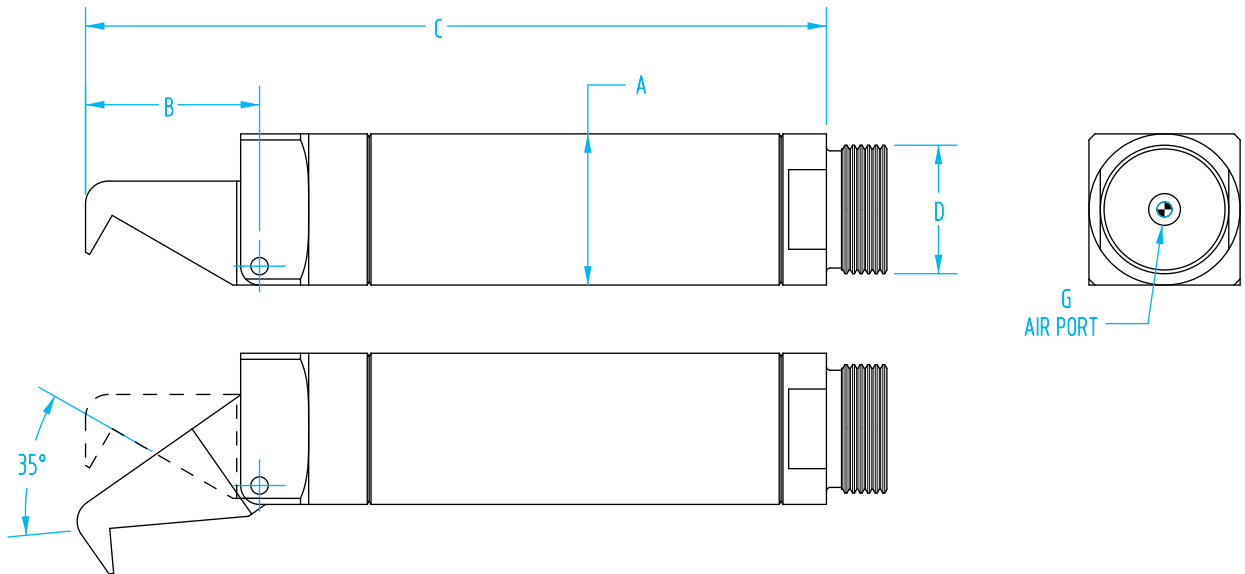
35° Gripper Finger (Standard type)

The gripper body is now all one metal piece, providing a longer service life better performance!

- Plastic molded plug on the top seals the gripper creating a reduced risk of external parts and debris entering the gripper
- New design includes a stronger, safer all metal piston
- Grooved pivot pin for improved reliability.



Optional sensor mounting bands available. See page 529.



OFA - 35° Gripper Finger (Non-Sensor Slot Version)

Quick#	Part#	Price	ØA	B	C	D	G	Stroke	Closing force*	Wt.
5414	OFA14-35	\$191.00	14	16	68.5	M12x1	M5	35°	6 lbf	25g
1914	OFA-20-35	\$196.00	20	23	98	M17x1	M5	35°	23 lbf	65g
1916	OFA-30-35	\$204.00	30	34	142	M27x1	M5	35°	97 lbf	206g
6596	OFA50-35	\$290.00	50	56	211	M45x1.5	G 1/8	35°	428 lbf	860g

*Note: Force at 87psi (6 bar)

Fittings Available on page 1043



See page 245–255 for mounting brackets.