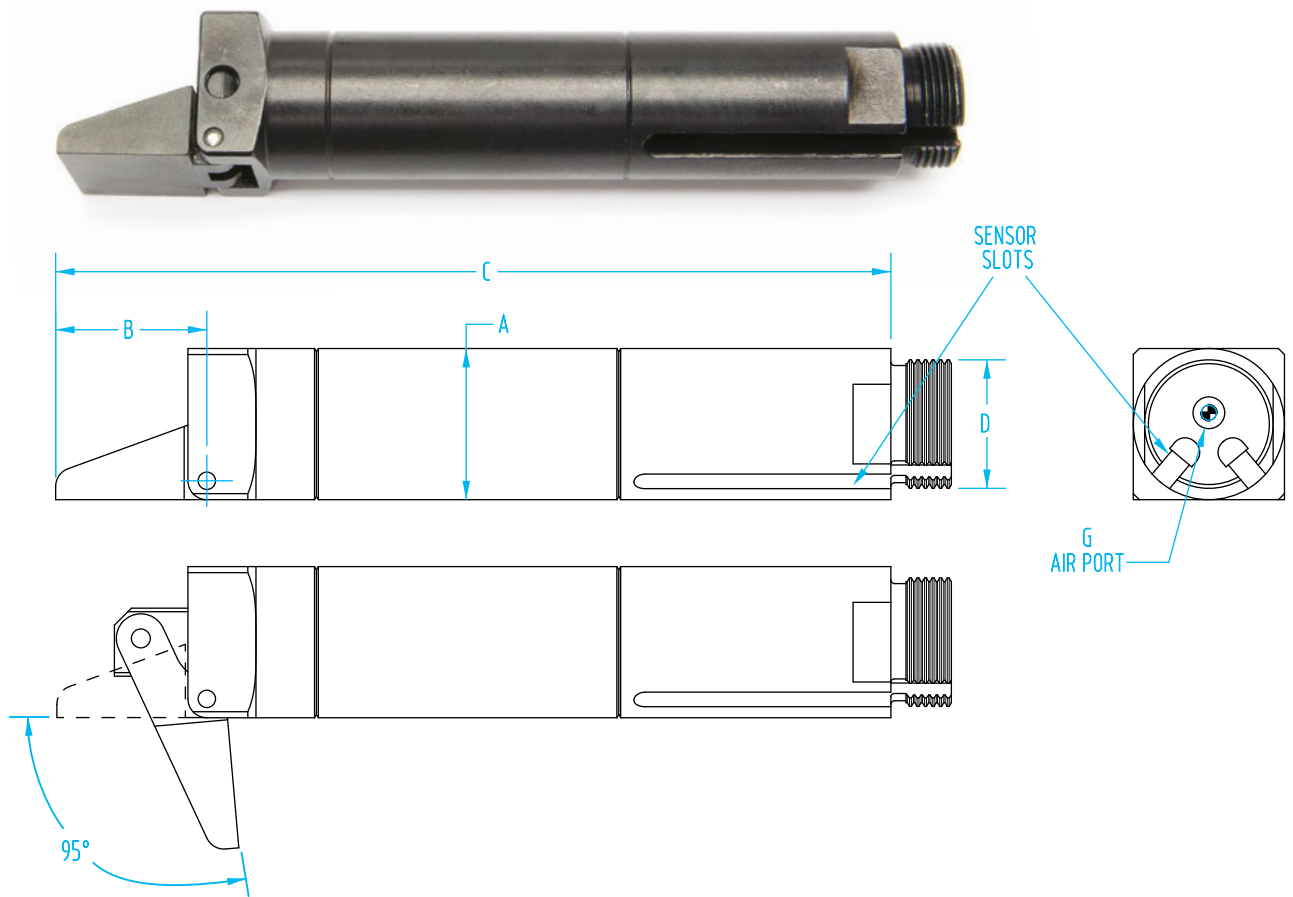


95° Gripper Finger (Sensor type)

- Single acting
- Longer bodies provide extended reach.
- Sensors are slightly recessed, so mounting clamps can be placed along the full length of the body.
- Provides operation with or without sensors.
- Gripper fingers work with guides and extensions, see page 526.
- Sensor Slot version features two sensor slots to provide confirmation of the finger position.

VLR Extension tubes can be used with sensors for Gimatic gripper fingers. See page 529.



Fittings Available on page 1043



OFR - 95° Gripper Finger (Sensor Slot Version)

Quick#	Part#	Price	ØA	B	C	D	G	Stroke	Closing force*	Wt.
1911	OFR-20-95S	\$229.00	20	20	110.5	M17x1	M5	95°	16 lbf	81g
1913	OFR-30-95S	\$236.00	30	29	162	M27x1	M5	95°	68 lbf	257g
6595	OFR50-95S	\$280.00	50	48	248	M45x1.5	G 1/8	95°	281 lbf	990g
Order sensors separately									<i>*Note: Force at 87psi (6 bar)</i>	
1882	SS4N225G	\$27.20	PNP sensor		3-wire with lead, 2.5m long				6-24v dc	
6282	SS3N203G	\$31.16	PNP sensor		3-wire with M8 male connector, 0.3m long				6-24v dc	
1883	SS4M225G	\$27.20	NPN sensor		3-wire with lead, 2.5m long				6-24v dc	
1884	SS3M203G	\$31.16	NPN sensor		3-wire with M8 male connector, 0.3m long				6-24v dc	

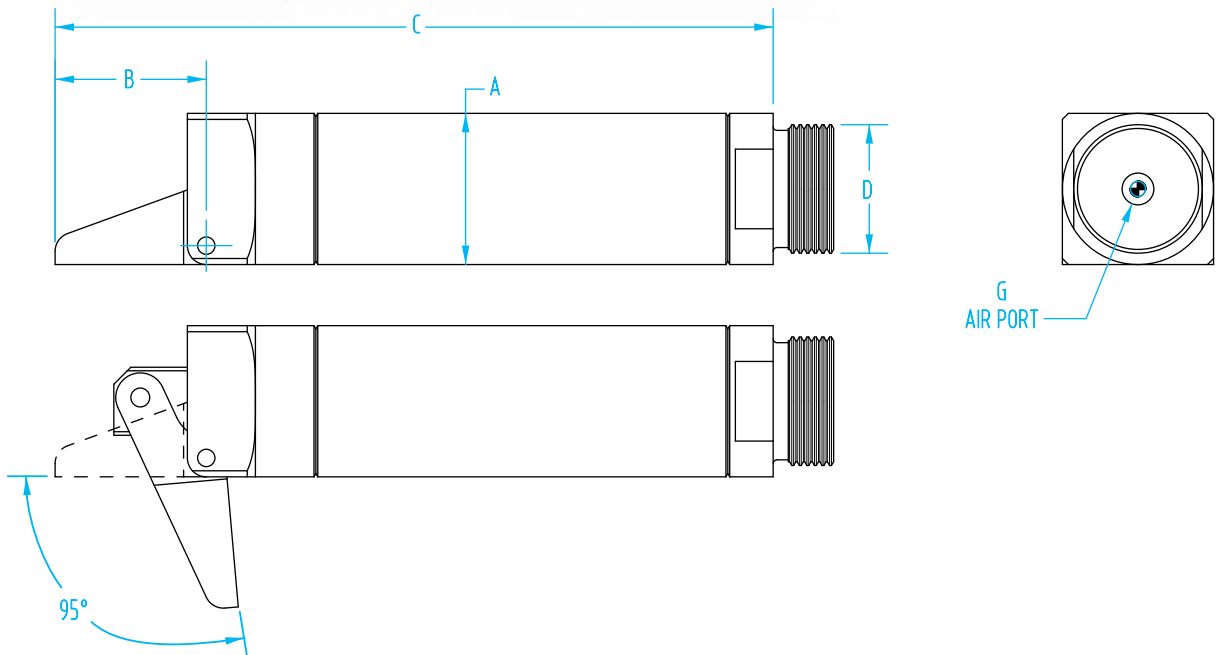
95° Gripper Finger (Standard type)

The gripper body is now all one metal piece, providing a longer service life better performance!

- Plastic molded plug on the top seals the gripper creating a reduced risk of external parts and debris entering the gripper
- New design includes a stronger, safer all metal piston
- Grooved pivot pin for improved reliability.



Optional sensor mounting bands available. See page 529.



OFR - 95° Gripper Finger (Non-Sensor Slot Version)

Quick#	Part#	Price	ØA	B	C	D	G	Stroke	Closing force*	Wt.
5415	OFR14-95	\$189.00	14	14	66.5	M12x1	M5	95°	4 lbf	25g
1910	OFR-20-95	\$197.00	20	20	95	M17x1	M5	95°	16 lbf	60g
1912	OFR-30-95	\$207.00	30	29	137	M27x1	M5	95°	68 lbf	193g
6594	OFR50-95	\$269.00	50	48	203	M45x1.5	G 1/8	95°	281 lbf	790g

**Note: Force at 87psi (6 bar)*

Application examples are illustrated on page 520.
See page 245–255 for mounting brackets.