

## Parallel Gripper Fingers – OFX

- Actuation by a single-acting piston.
- Linear motion of the finger, perpendicular to the piston.
- Thru-hole in the finger, to provide vacuum to a cup.
- Removable HNBR pad on the finger, for soft touch has a maximum temperature of 302°F.
- See Sensor Reference Guide on page 1006 for full list of compatible sensors.
- Replacement parts available online.



Quick#	5840	6598	6599	5841
Part#	OFX14-06	OFX20-10	OFX30-15	OFX50-20
Price	\$172.00	\$190.00	\$242.00	\$296.00
Medium	Filtered, lubricated / non lubricated compressed air			
Pressure range	36.26–116 psi			
Opening force at 87 psi	3–14 lbf	5–26 lbf	10–52 lbf	23–203 lbf
Total stroke (±0.2 mm)	6mm	10mm	15mm	20mm
Weight	30g	65g	190g	740g

Use Quick#s for easy online ordering.

### Replacement HNBR Pads for OFX Parallel Gripper Fingers

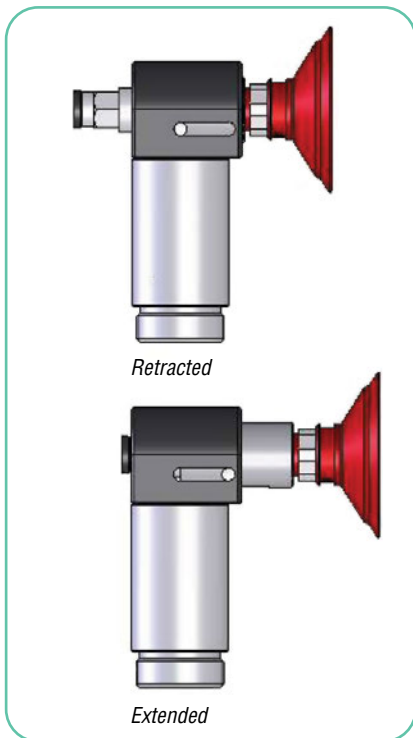
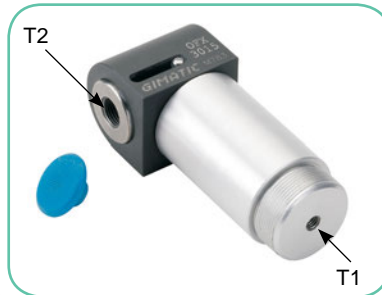
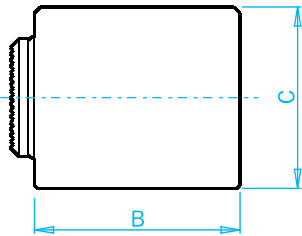
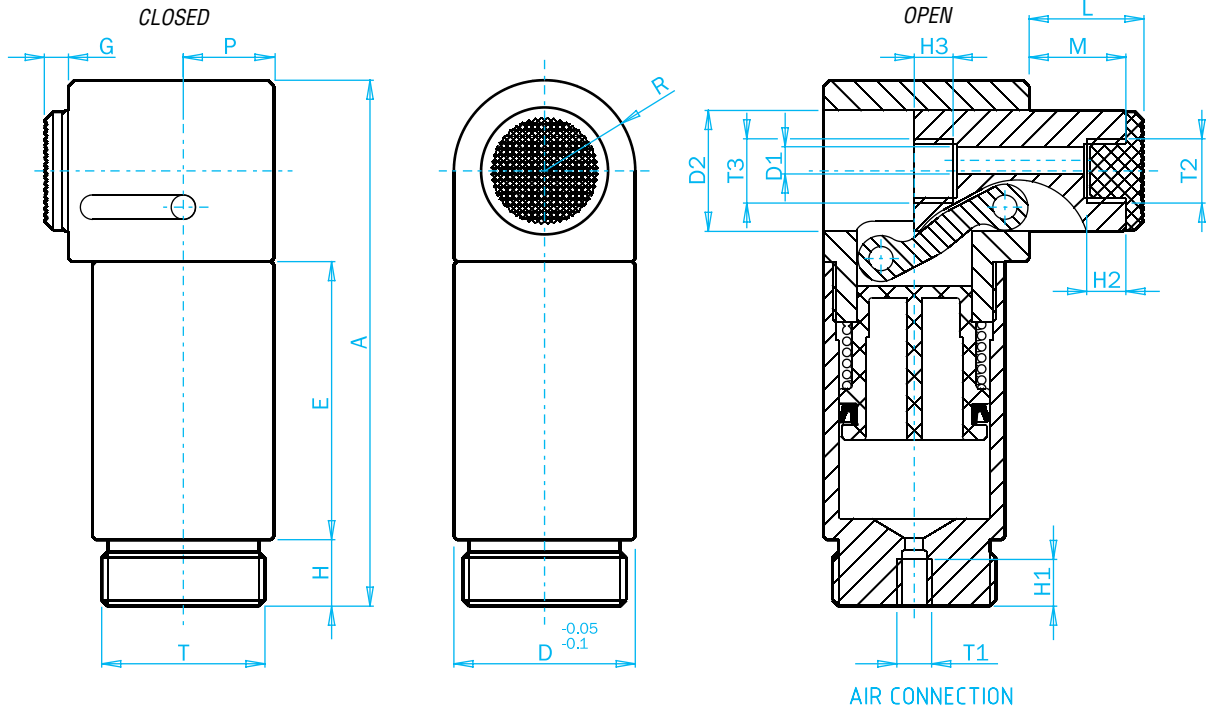
Quick#	Part#	For:	Price
7362	OFX14-06-07	OFX14	\$7.60
7363	OFX20-10-09	OFX20	\$5.60
7364	OFX30-15-09	OFX30	\$8.06
7365	OFX50-20-08	OFX50	\$12.88



### Sensor Band for OFX Parallel Gripper Fingers

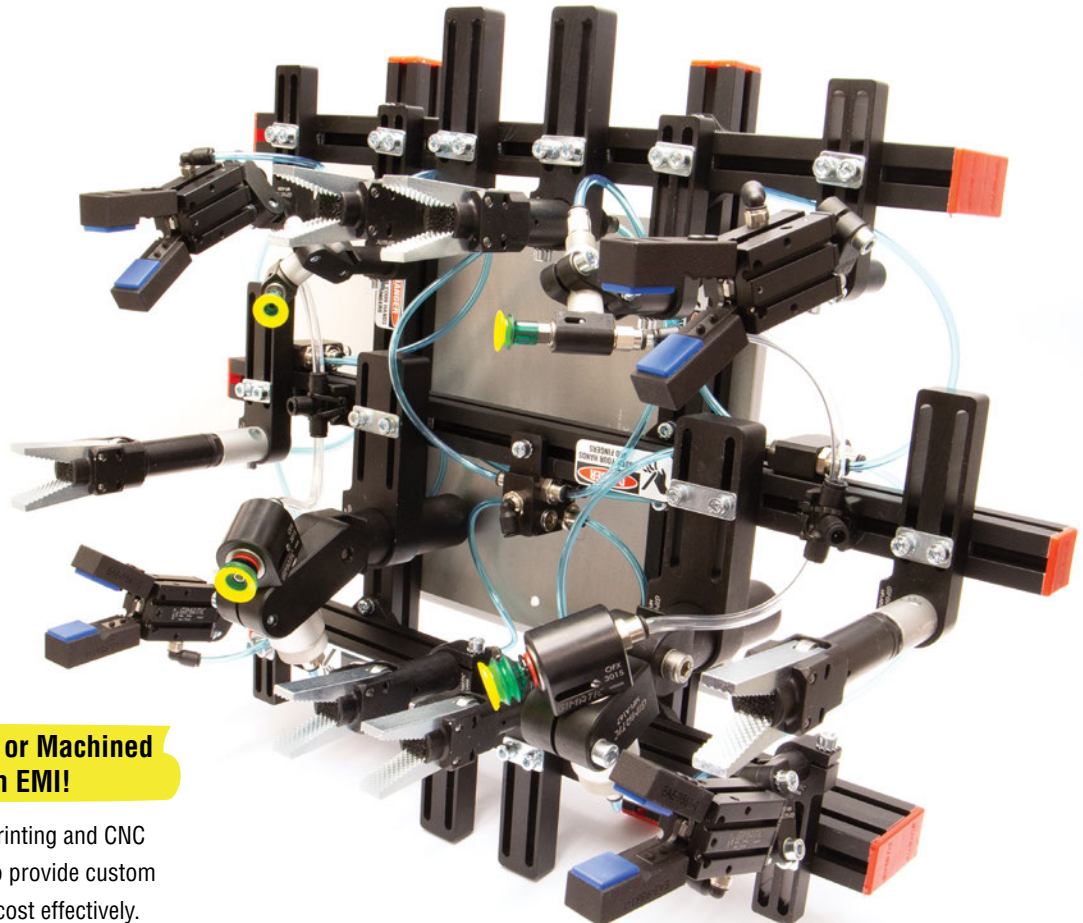
Quick#	Part#	For:	Price
7307	SWP-014	OFX14	\$2.22
7308	SWP-020	OFX20	\$2.22
7309	SWP-030	OFX30	\$2.22
7310	SWP-050	OFX50	\$2.22

Parallel Gripper Fingers – OFX



	OFX14-06	OFX20-10	OFX30-15	OFX50-20
A	52	62.5	87	143
B	23	25	34	60
C	14	20	30	50
D	Ø14	Ø20	Ø30	Ø50
D1	Ø1.5	Ø2.4	Ø4.5	Ø9
D2	Ø10	Ø14	Ø20	Ø35
E	30	34.5	46	68
G	3.5	3.5	4	4
H	8	8	11	25
H1	7	7	7	10
H2	5	5	6	9
H3	5	5	6	9
L	9.5	13.5	19	24
M	7	11	16	21
P	9	10	15	25
R	R7	R10	R15	R25
T	M12x1	M17x1	M27x1	M45x1.5
T1	M5	M5	M5	G1/8"
T2	M5	M5	G1/8"	G1/4"
T3	M5	M5	G1/8"	G1/4"

## Application with Parallel Gripper Fingers

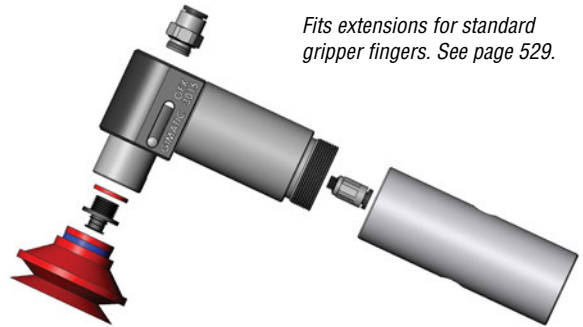
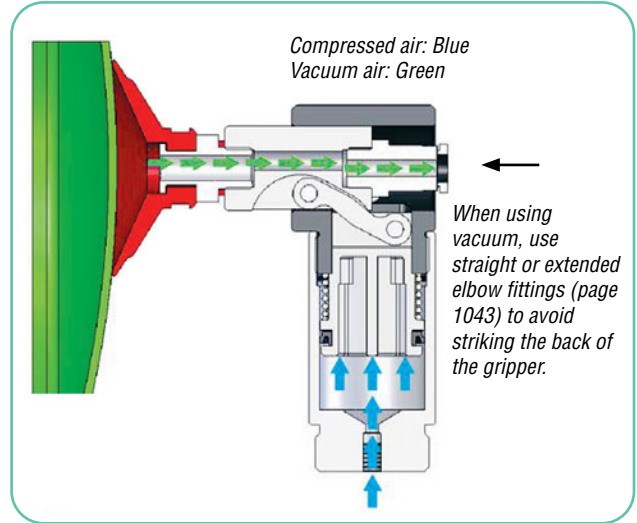
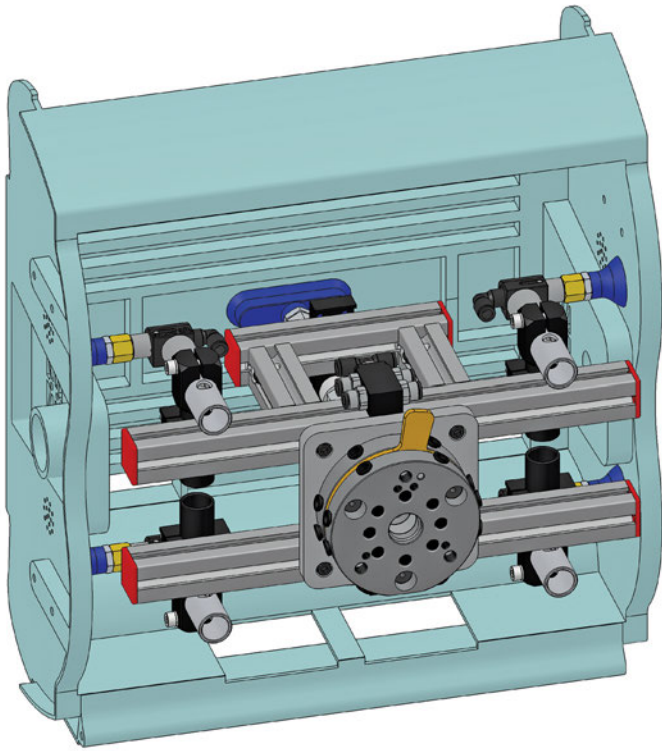


### Custom 3D Printed or Machined Fingers from EMI!

EMI's in-house 3D printing and CNC equipment allow us to provide custom fingers quickly and cost effectively.



### Application with Parallel Gripper Fingers



Fits extensions for standard gripper fingers. See page 529.

