

## Thrust-Cut Nippers

- Two sizes available.
- Optional sensors.
- Optional blade heating system.
- The blades are available as spare parts.
- Flow controls included for use with Ø6mm tubing.

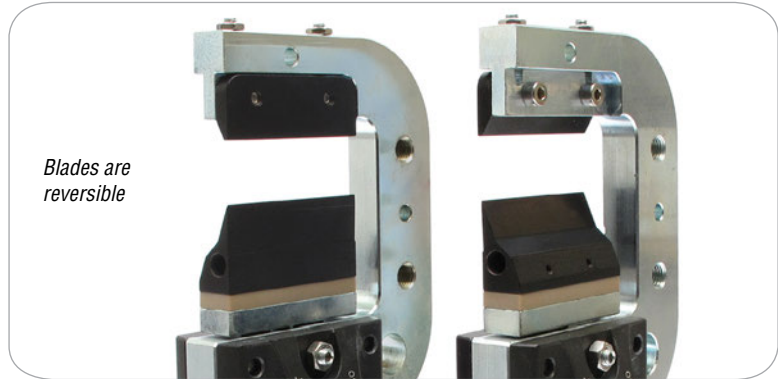
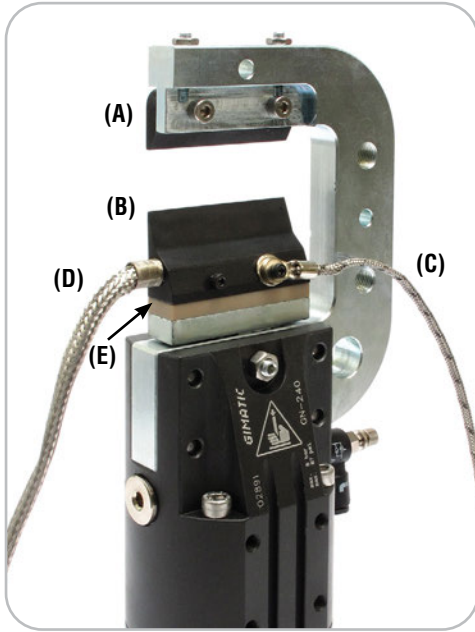
Watch our Thrust-Cut Nipper video!



Part#	GN-240	GN-263
Quick#	6693	6691
Price	\$1326.00	\$1643.00
Blade width	50mm	76mm
Stroke	20mm	31.5mm
Piston bore	Ø40mm	Ø63mm
Pressure range	36–87 psi	
Nipper body temperature range	41°–140°F	
Nipper blade max. temperature	482°F*	
Closing force at 87psi	330 lbf	820 lbf
Weight	1330g	2900g

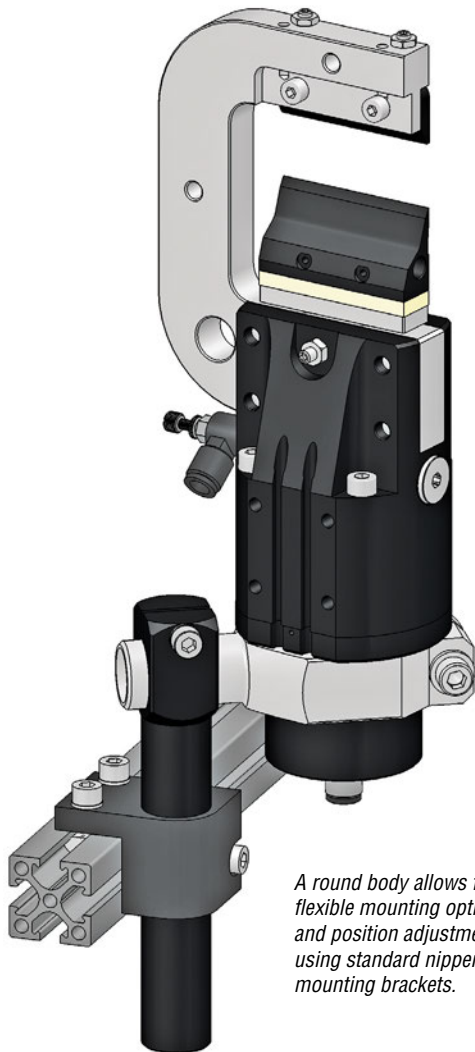
\*Call EMI if your application requires blade temperatures higher than 482°

# Thrust-Cut Nippers



Blades are reversible

Accessories	GN-240		GN-263	
	Quick#	Price	Quick#	Price
Spare top blade (A)	5620	\$51.60	5617	\$59.90
Spare bottom blade (B)	5619	\$147.60	5616	\$167.40
Thermocouple (C)	5626	\$26.00	5626	\$26.00
Blade heater (D)	5625	\$68.85	5624	\$72.20
High Temp Mica Insulation (E)	7345	\$44.00	7344	\$44.00



A round body allows for flexible mounting options and position adjustment using standard nipper mounting brackets.



Using more than one thrust cut nipper? We also offer 2-, 3-, & 4-Zone control consoles.

Multi-zone temperature controllers allow the temperature of each blade to be monitored individually.

Temperature Control Boxes

Quick#	Part#	# of Zones	Price
5623	GSE-TCHP-CM	1	\$630.00
2662	GSE-TCHP-CM2	2	\$939.00
2663	GSE-TCHP-CM3	3	\$1,480.00
2664	GSE-TCHP-CM4	4	\$1,954.00

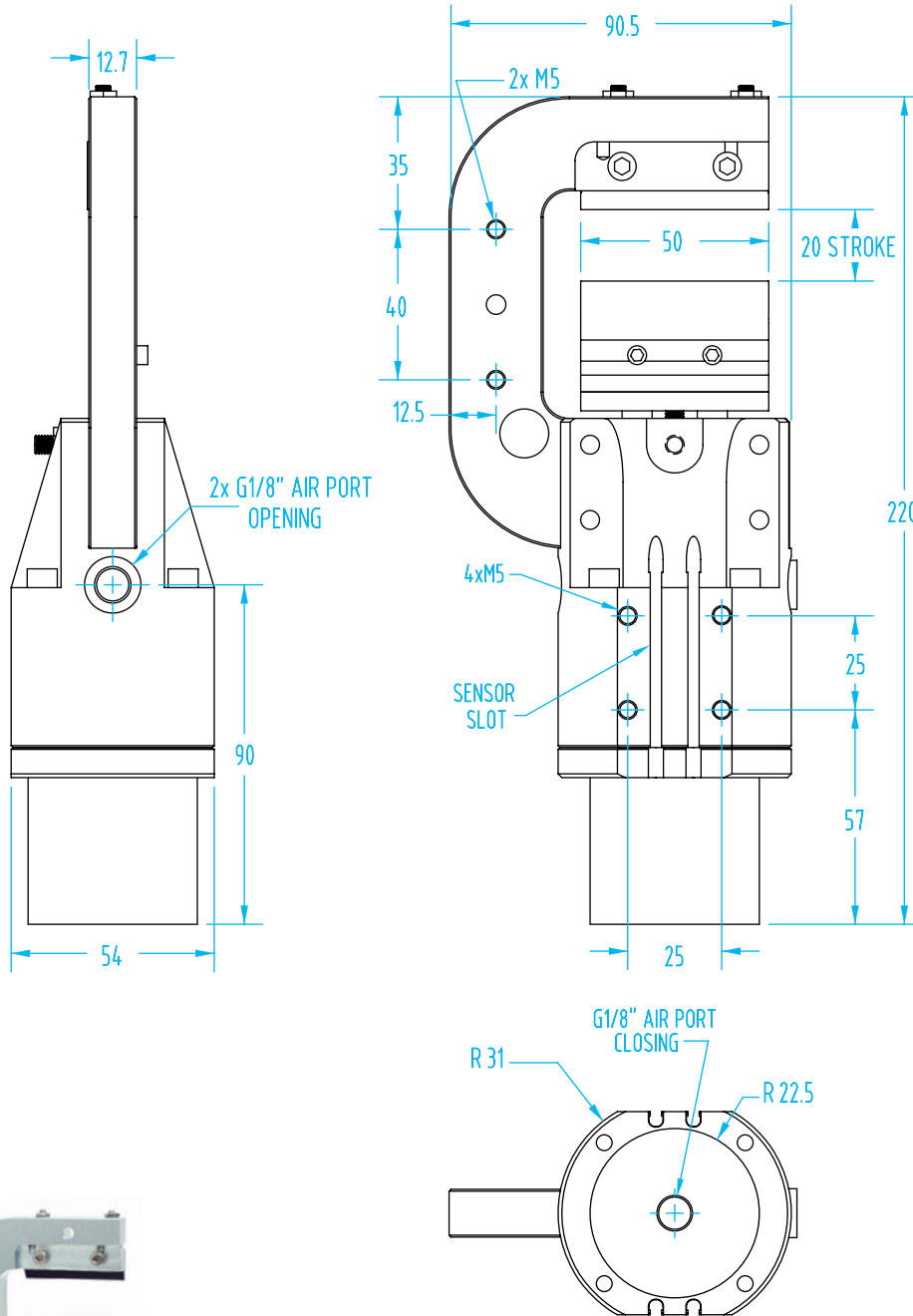


Quick#	Part#	Type	Connection	Price
<b>3-wire, SS type 'C' slot sensor</b>				
1882	SS4N225G	PNP	2.5m lead	\$27.20
1883	SS4M225G	NPN	2.5m lead	\$27.20
6282	SS3N203G	PNP	M8 connector	\$31.16
1884	SS3M203G	NPN	M8 connector	\$31.16

## 2" Thrust-Cut Nipper

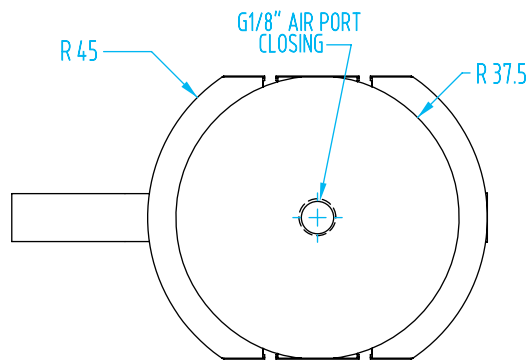
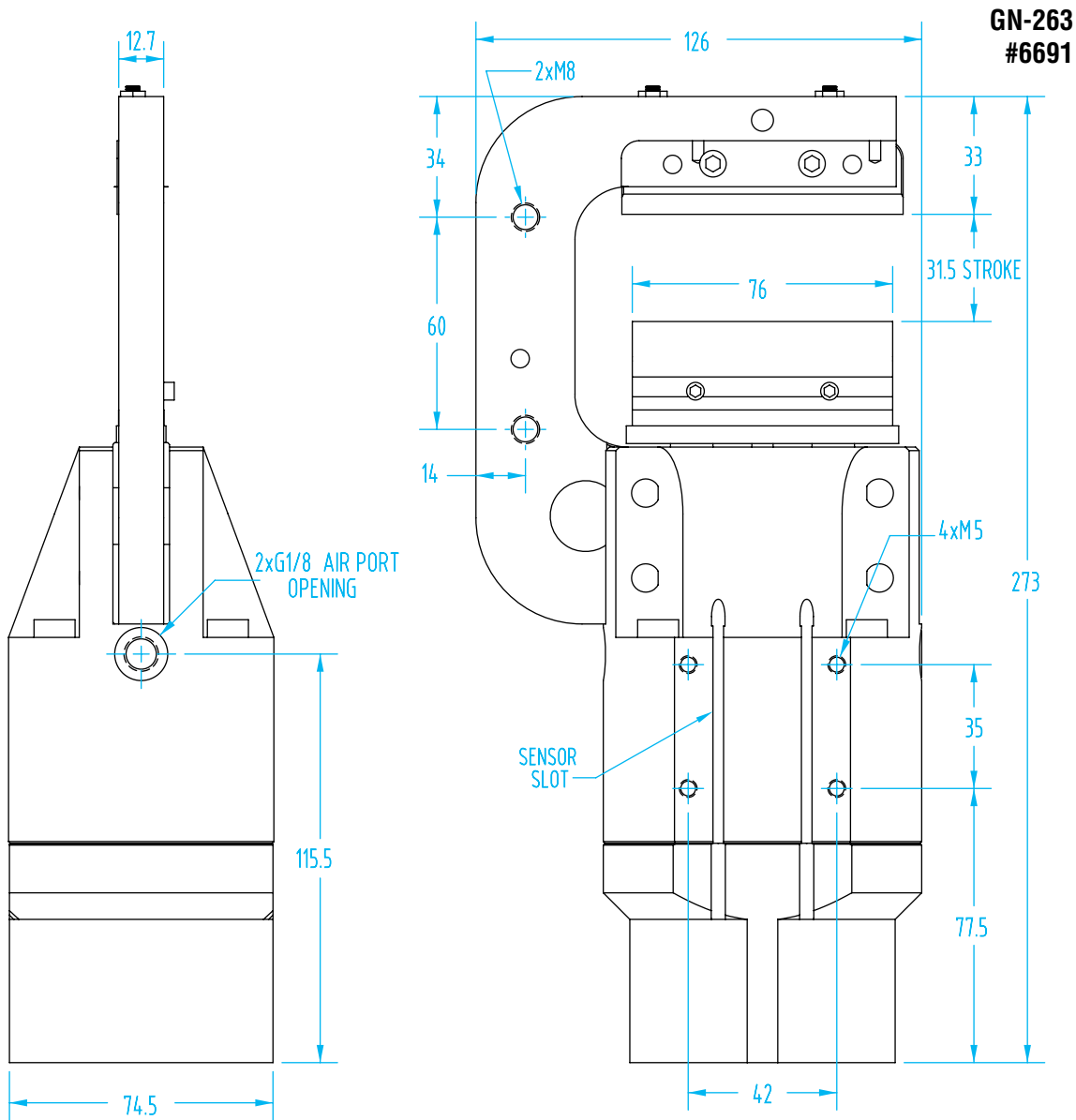
(Dimensioned drawing shown half scale)

GN-240  
#6693



### 3" Thrust-Cut Nipper

(Dimensioned drawing shown half scale)



# Thrust-Cut Nipper Application Example

